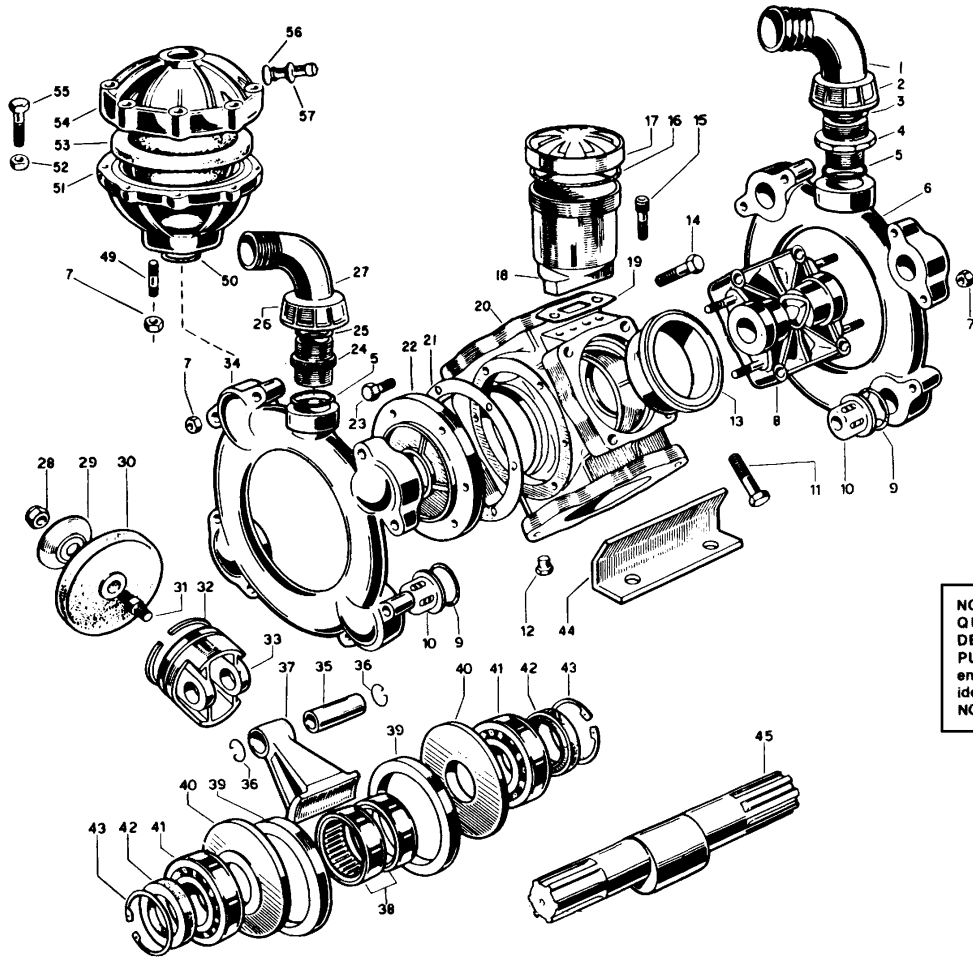


Hypro® Model 9910-D150



NOTE: When ordering parts, give QUANTITY, PART NUMBER, DESCRIPTION, and COMPLETE PUMP MODEL NUMBER. Reference numbers are used ONLY to identify parts in the drawing and are NOT to be used as order numbers.

REF. NO.	PART NUMBER	DESCRIPTION	QTY. REQ'D	REF. NO.	PART NUMBER	DESCRIPTION	QTY. REQ'D
1	9910-760020	2" Hose Barb Inlet	1	28	9910-550131	Lock Nut for Retaining Bolt	4
2	9910-760040	Barb Nut	1	29	9910-580090	Retaining Washer	4
▲ 3	9910-620210	O-Ring	1	■ 30	9910-550085	Diaphragm	4
4	9910-760030	Threaded Adapter	1	31	9910-550270	Retaining Bolt	4
▲ 5	9910-250310	O-Ring	2	32	9910-500260	Piston Ring	4
6	9910-760220	Suction Manifold	1	33	9910-750120	Piston	4
7	9910-380240	Nut	16	34	9910-760070	Discharge Manifold	1
8	9910-750100	Head Assembly	4	35	9910-160700	Connecting Rod Pin	4
■ 9	9910-680070	O-Ring	8	36	9910-160691	Retainer Ring	8
□ 10	9910-759050	Check Valve Assembly	8	37	9910-760140	Connecting Rod	4
11	9910-750070	Bolt (12MAx70)	4	38	9910-750090	Roller Bearing	2
12	9910-30171	Oil Drain Plug	1	39	9910-750130	Spacer Ring	2
13	9910-750110	Piston Sleeve	4	40	9910-540040	Spacer Washer	2
14	9910-750060	Bolt (12MAx65)	12	41	9910-230350	Ball Bearing	2
15	9910-680350	Bolt (12MAx30)	2	42	9910-230380	Seal	2
▲ 16	9910-580230	O-Ring	1	43	9910-200390	Retainer Ring	2
17	9910-750055	Cap	1	44	9910-760200	Base	1
18	9910-750030	Oil Sight Glass	1	45	9910-750170	Crankshaft (splined both ends)	1
▲ 19	9910-750040	Gasket	1	49	9910-390670	Accumulator Stud	2
20	9910-760010	Pump Body	1	▲ 50	9910-390290	O-Ring	1
▲ 21	9910-680250	Gasket	1	51	9910-680180	Accumulator Base	1
22	9910-680020	Bearing Support Housing	1	52	9910-390270	Nut (8MAxH6.5)	8
23	9910-160670	Bolt (10MAx25)	6	■ 53	9910-550190	Damper Diaphragm	1
24	9910-540530	Threaded Adapter	1	54	9910-620230	Accumulator Head	1
▲ 25	9910-250310	O-Ring	1	55	9910-380250	Bolt (8MAx45)	8
26	9910-540540	Barb Nut	1	▲ 56	9910-180020	O-Ring	1
27	9910-540550	1½" Hose Barb Outlet	1	57	9910-180020	Air Valve	1

REPAIR & MAINTENANCE KITS AVAILABLE

▲ O-Ring Parts Kit No. 9910 — KIT1735 consists of: Ref. 3 (1 ea.) O-Ring, Ref. 5 (1 ea.) O-Ring, Ref. 9 (8 ea.) O-Rings, Ref. 16 (1 ea.) O-Ring, Ref. 19 (1 ea.) Gasket, Ref. 21 (1 ea.) Gasket, Ref. 25 (1 ea.) O-Ring, Ref. 50 (1 ea.) O-Ring, Ref. 56 (1 ea.) O-Ring.

■ Diaphragm Parts Kit No. 9910 — KIT1730 consists of: Ref. 9 (8 ea.) O-Rings, Ref. 30 (4 ea.) Diaphragms, Ref. 53 (1 ea.) Damper Diaphragm.
 □ Valve Parts Kit No. 9910 — KIT1790 consists of: Ref. 9 (8 ea.) O-Rings, Ref. 10 (8 ea.) Valves.