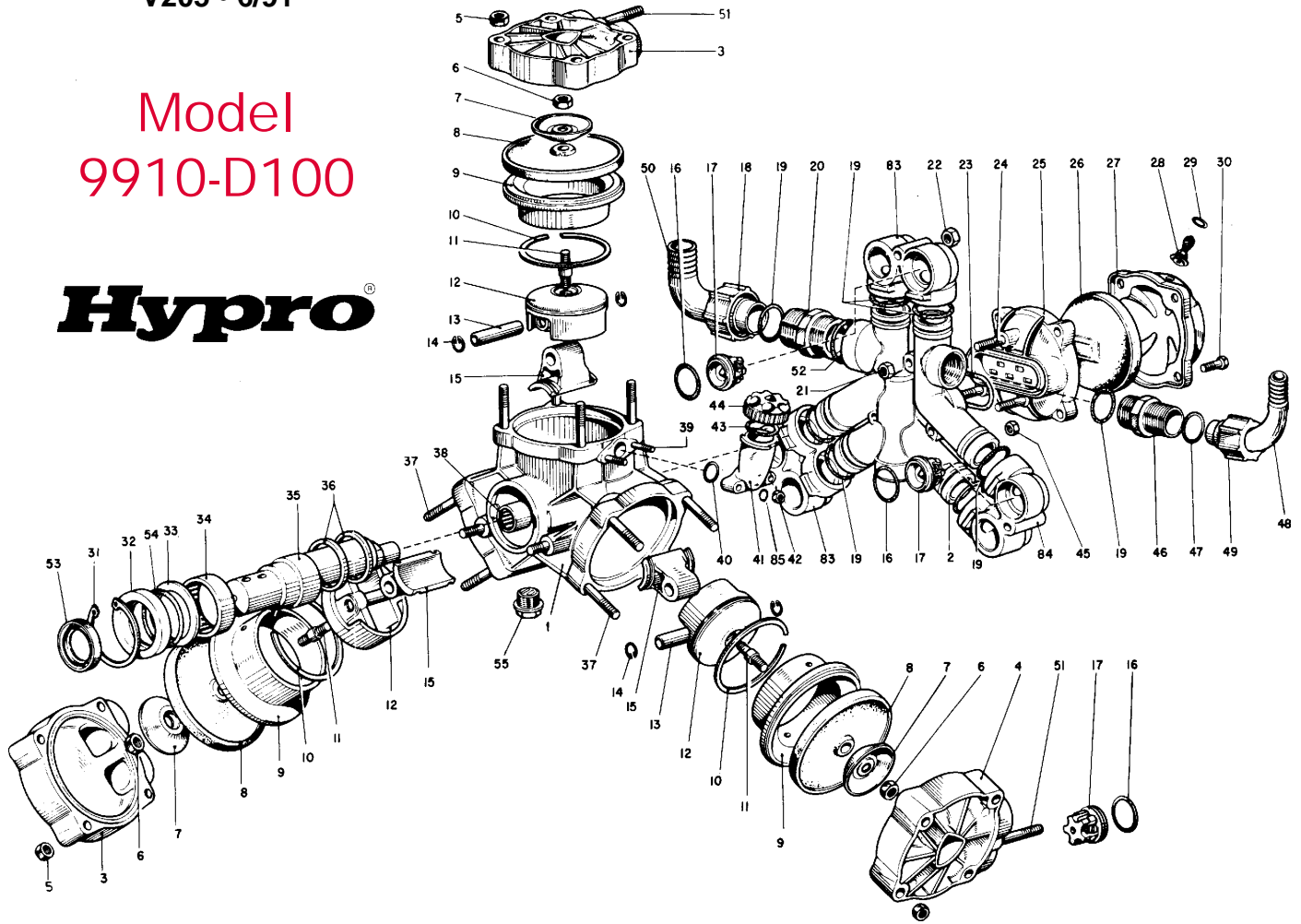


Model
9910-D100

Hypro®



REF. NO.	PART NUMBER	DESCRIPTION	QTY. REQ'D
1	9910-580010	Pump Body	1
2	9910-580150	Manifold	1
3	9910-550101	Head Assembly (Right Hand)	2
4	9910-550102	Head Assembly (Left Hand)	1
5	9910-180150	Nut	12
6	9910-550131	Lock Nut for Retaining Bolt	3
7	9910-580090	Retaining Washer	3
■ 8	9910-550085	Diaphragm	3
9	9910-580110	Piston Sleeve	3
10	9910-500260	Piston Ring	3
11	9910-550270	Retaining Bolt	3
12	9910-580120	Piston	3
13	9910-380300	Connecting Rod Pin	3
14	9910-380080	Retainer Ring	6
15	9910-580140	Connecting Rod	3
□■▲ 16	9910-320030	O-Ring	6
□ 17	9910-559050	Check Valve Assembly (Nylon)	6
17	9910-759050	Check Valve Assembly (Stainless Steel)	
18	9910-580060	Hose Barb Nut	1
▲ 19	9910-390291	O-Ring	8
20	9910-580030	Adapter	1
21	9910-390270	Nut	3
22	9910-180150	Nut	3
▲ 23	9910-580050	O-Ring	1
24	9910-280030	Stud	3
25	9910-580180	Accumulator Pressure Assembly	1
■ 26	9910-550190	Accumulator Diaphragm	

REF. NO.	PART NUMBER	DESCRIPTION	QTY. REQ'D
27	9910-550230	Accumulator Head	1
28	9910-550300	Air Valve	1
29	9910-650542	O-Ring	1
30	9910-550680	Bolt (8MAx25)	4
31	9910-200391	Retainer Ring	1
32	9910-550470	Gasket Retainer	1
33	9910-550070	Spacer Ring	2
34	9910-550060	Roller Bearing	1
35	9910-550170	Crankshaft	1
36	9910-580130	Retainer Ring	2
37	9910-550200	Stud	12
38	9910-550310	Roller Bearing	1
39	9910-550330	Stud	2
▲ 40	9910-180101	O-Ring	1
41	9910-550030	Oil Sight Glass	1
42	9910-390440	Nut	2
▲ 43	9910-550040	O-Ring	1
44	9910-550055	Cap	1
45	9910-380240	Nut	4
46	9910-550340	Threaded Adapter	1
▲ 47	9910-550350	O-Ring	1
48	9910-550210	1" Hose Barb (Outlet)	1
49	9910-550242	Barb Nut	1
50	9910-580040	1 1/4" Hose Barb (Inlet)	1
51	9910-550020	Stud	3

Continued on other side

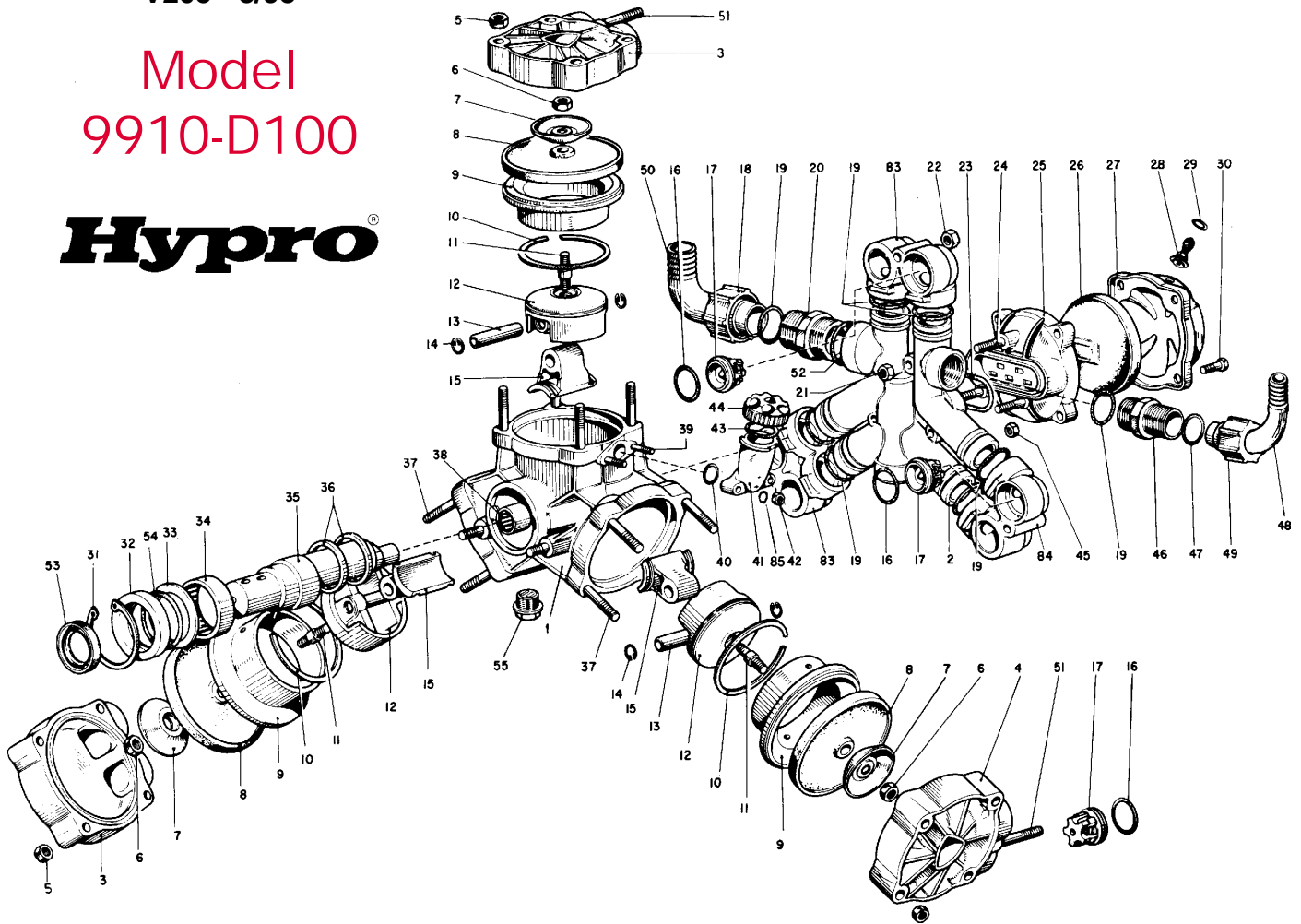
REPAIR & MAINTENANCE KITS AVAILABLE

▲ O-Ring Parts Kit No. 9910-KIT1905 consists of: Ref. 16 (6 ea.) O-Rings, Ref. 19 (8 ea.) O-Rings, Ref. 23 (1) O-Ring, Ref. 40 (1) O-Ring, Ref. 43 (1) O-Ring, Ref. 47 (1) O-Ring, Ref. 52 (1) O-Ring.

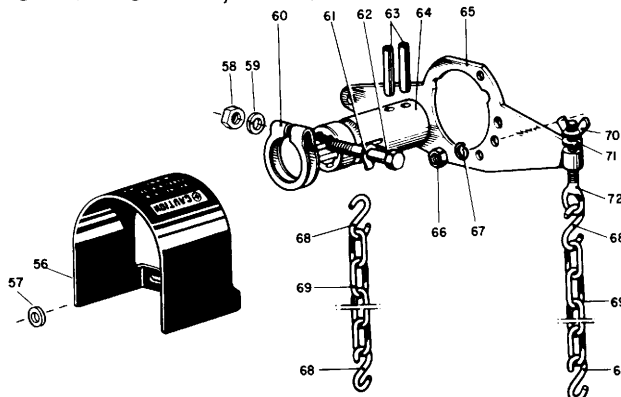
■ Diaphragm Parts Kit No. 9910-KIT1721 consists of: Ref. 8 (3 ea.) Diaphragm, Ref. 16 (6 ea.) O-Rings, Ref. 26 (1) Accumulator Diaphragm.
□ Valve Parts Kit No. 9910 — KIT1796 consists of Ref. 16 (6 ea.) O-Rings, Ref. 17 (6 ea.) Valves.

Model
9910-D100

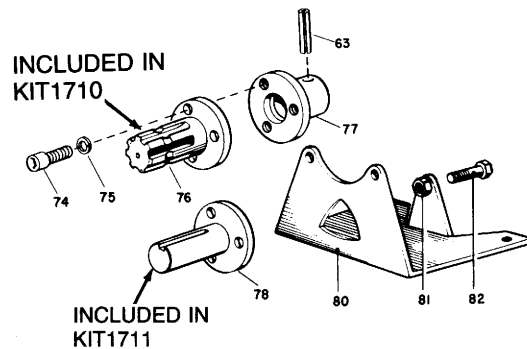
Hypro®



9910-KIT1708 — 1 3/8" FEMALE PTO ADAPTOR, SAFETY SHIELD, TORQUE ARM AND CHAINS



9910-KIT1710 — 1 3/8" MALE PTO SHAFT AND BASE KIT
9910-KIT1711 — 1" SOLID SHAFT AND BASE KIT



REF. NO.	PART NUMBER	DESCRIPTION	QTY. REQ'D
▲ 52	9910-250310	O-Ring	1
53	9910-550491	Seal	1
54	9910-650920	Gasket	1
55	9910-30171	Oil Drain Plug	1
56	2840-0028	Safety Shield	1
57	2270-0004	Washer	4
58	9910-320130	Nut	1
59	9910-320131	Washer	1
60	9910-500160	Collar	1
61	9910-500171	Lock Retaining Washer	1
62	9910-320170	Bolt (12MAx75)	1
63	9910-550290	Roll Pin	2
64	9910-550250	Female Splined Shaft	1
65	9910-380271	Torque Bracket	1
66	9910-180150	Nut	2
67	9910-200231	Lock Washer	2

REF. NO.	PART NUMBER	DESCRIPTION	QTY. REQ'D
68	9910-650340	"S" Hook	4
69	9910-320640	Chain	2
70	9910-320610	Wing Nut	1
71	9910-320620	Washer	1
72	9910-320630	Eye Bolt	1
74	9910-620470	Bolts	3
75	9910-200231	Washer	3
76	9910-620240	1 3/8" Male 6 Spline PTO Shaft	1
77	9910-550510	Adapter	1
78	9910-621600	1" Solid Shaft	1
80	9910-580080	Base	1
81	9910-580190	Nut	1
82	9910-540300	Bolt (10MAx30)	1
83	9910-580071	Valve Retainer	2
84	9910-580072	Valve Retainer	1
85	9910-550331	Washer	2