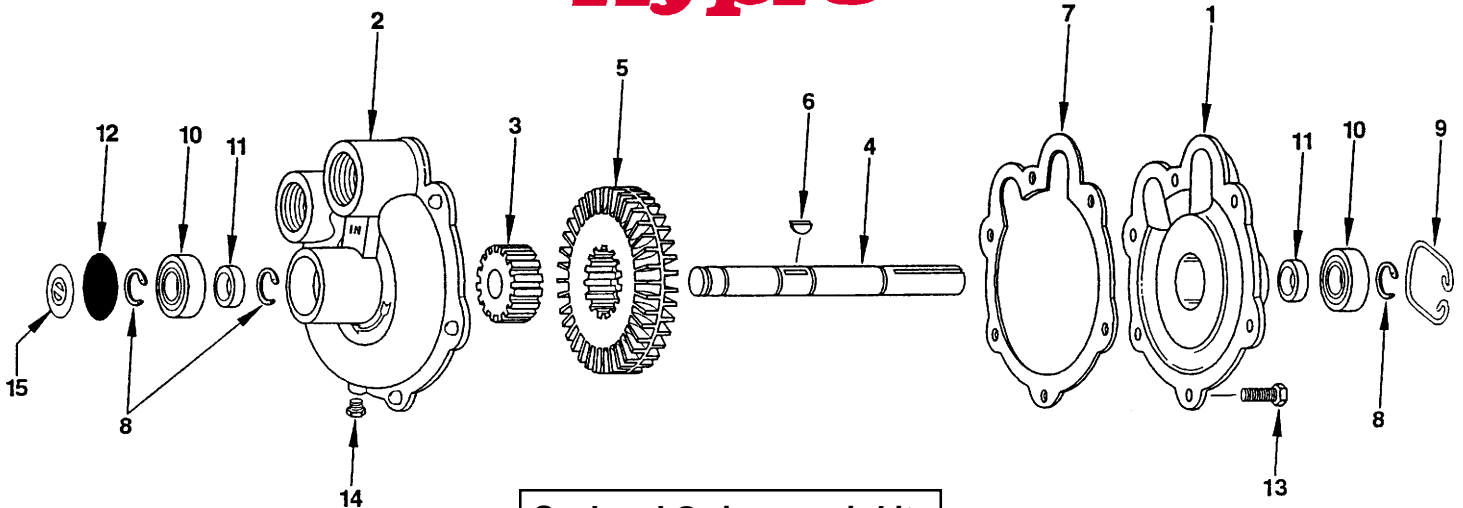


Model 9600C

Hypro®**Seal and O-ring repair kit:**

No. 3430-0347 consists of
 (2) Ref. 11 seal (Viton)
 & (1) Ref. 7 O-ring

Ref. #	Qty. Req'd	Part No.	Description
1	1	0150-9600 C	Body
2	1	0250-9600 C	Housing
3	1	1201-0015	Impeller insert
4	1	0500-9600	Shaft, stainless steel, 15/16" diameter, 1/4" keyway
5	1	0400-9600P	Impeller, corrosion resistant Valox®
6	1	1610-0045	Key-woodruff
7	1	1710-0015	Gasket
8	3	1810-0008	Retainer ring-external
9	1	1820-0025	Retainer ring-internal
10	2	2008-0001	Sealed ball bearing
11	2	2112-0003	Seal-viton
12	1	2300-0020	Bearing cover
13	6	2210-0026	Screw, hex head
14	1	2406-0007	Pipe plug
15	1	6031-0258	Decal