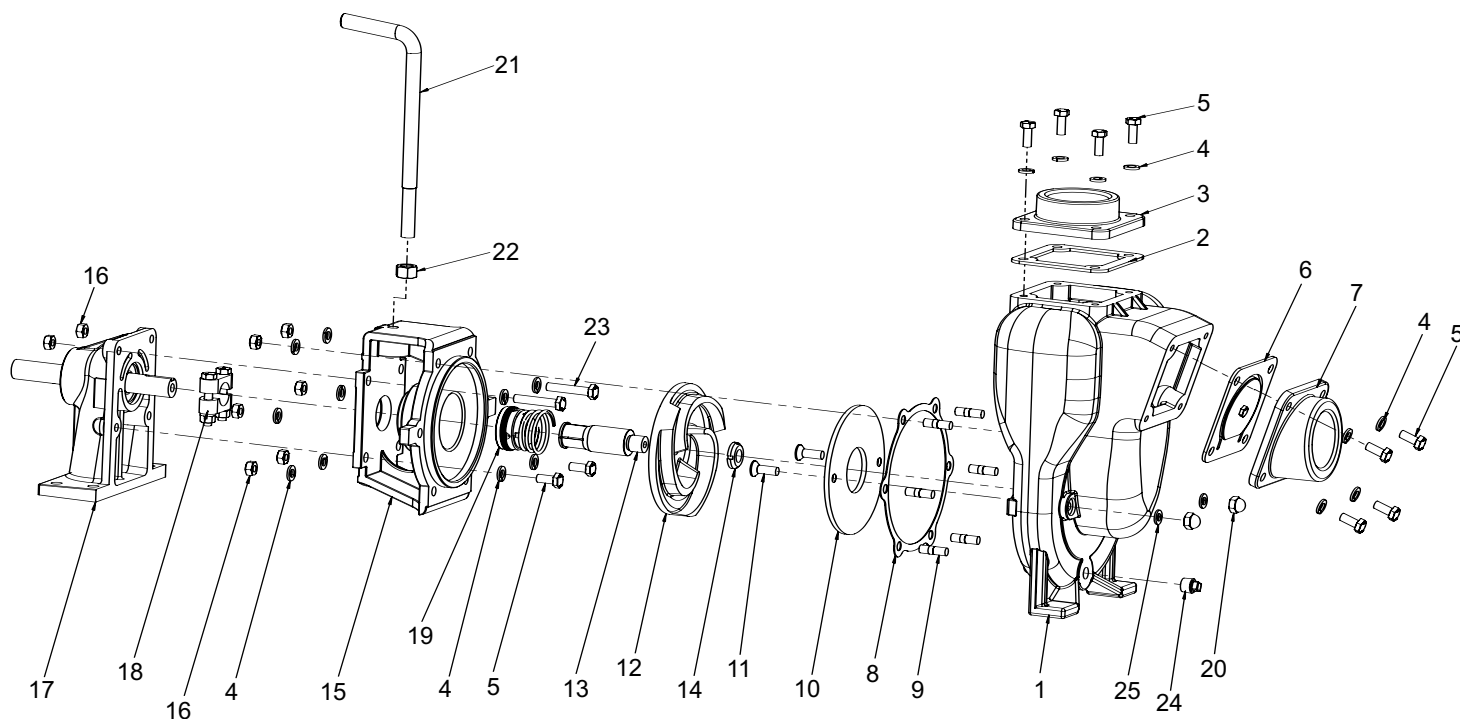


9232C-SP and 9732C-SPX Self-Priming Cast Iron Centrifugal Pumps



REF. NO.	QTY.	PART NO.	DESCRIPTION
1	1	0150-9032C	Self-Priming Chamber
2	1	1700-0217	Discharge Flange Gasket (EPDM)
3	1	2404-0362	Discharge Flange (2" NPT)
4	18	2260-0051	Lockwasher
5	10	2210-0160	Cap Screw
6	1	1700-0218	Flapper Valve Assembly (EPDM)
7	1	2404-0363	Inlet Flange (2" NPT)
8	1	1710-0017	Gasket
9	6	2205-0021	Stud
10	1	3210-0094	Wear Plate
11	2	2215-0004	Screw
12	1	0400-9032C	Impeller
13	1	0501-9032	Shaft Sleeve (3/4")

REF. NO.	QTY.	PART NO.	DESCRIPTION
14	1	2250-0095	Impeller Nut
15	1	0750-9032C	Mounting Flange (Gas Engine)
16	8	2250-0094	Hex Nut
17	1	0550-9232	Pedestal Assembly (3/4")
18	1	1420-0023	Shaft Sleeve Clamp
19	1	2120-0046	Mechanical Seal (FKM)
20	2	2253-0012	Acom Nut 5/16-18 SS
21	1	2801-0007	Handle
22	1	2250-0093	Hex Nut
23	2	2210-0159	Cap Screw
24	1	2406-0041	External Square Drain Plug (1/4" NPT)
25	2	1700-0021	Gasket