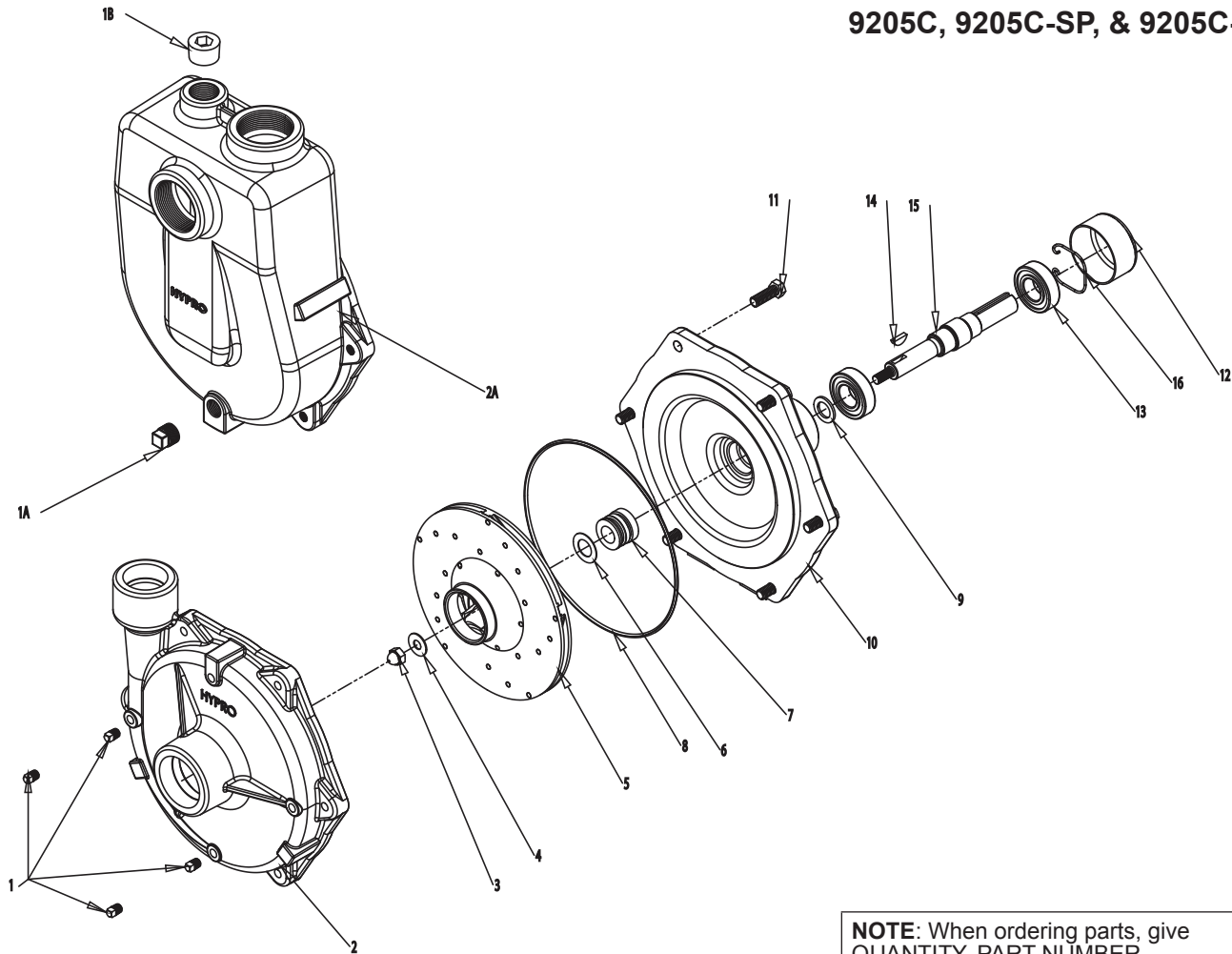


## Replacement Parts

The following drawings show the pumps and their replacement parts. **Only genuine replacement parts should be used. Failure to follow this warning can result in damage to property, serious injury or death.** If the pump malfunctions or is defective, it should be sent back to Hypro for service.

### 9205C, 9205C-SP, & 9205C-BSP



**Seal & O-Ring Kit No. 3430-0537**

- consists of:  
 (1) Ref. 6 Gasket  
 (1) Ref. 7 Mechanical Seal  
 (1) Ref. 8 O-Ring

**Silicon Carbide Seal Kit No. 3430-0646**

- consists of:  
 (1) Ref. 7 Mechanical Seal  
 (1) Ref. 8 O-Ring

**NOTE:** When ordering parts, give QUANTITY, PART NUMBER, DESCRIPTION, and COMPLETE MODEL NUMBER. Reference number are used ONLY to identify part in the drawing and are NOT to be used as order numbers.

Ref. No.	Qty. Req'd.	Part No.	Description
1	4	2406-0007	Drain Plug
1A	4	2406-0002	Drain Plug
1B	1	2406-0034	Priming Port Plug
2	1	0152-9200C	Pump Casing
2A	1	0150-9075C	Pump Casing (Standard)
2A	1	0150-9075C1	Pump Casing (BSP models)
3	1	2253-0002	Impeller Nut
4	1	2270-0071	Washer
5	1	0403-9200P	Impeller (Nylon)
6	1	1700-0101	Gasket

Ref. No.	Qty. Req'd.	Part No.	Description
7	1	3430-0537	Mechanical Seal (Standard)
7	1	3430-0646	Mechanical Seal (Life Guard)
8	1	1720-0180	O-Ring
9	1	1410-0083	Slinger Ring
10	1	0751-9200C	Mounting Flange
11	6	2210-0086	Bolt
12	1	2300-0035	Protective Cover
13	2	2008-0001	Bearing
14	1	1610-0012	Key
15	1	3430-0846	Pump Shaft
16	1	1820-0025	Bearing Retainer