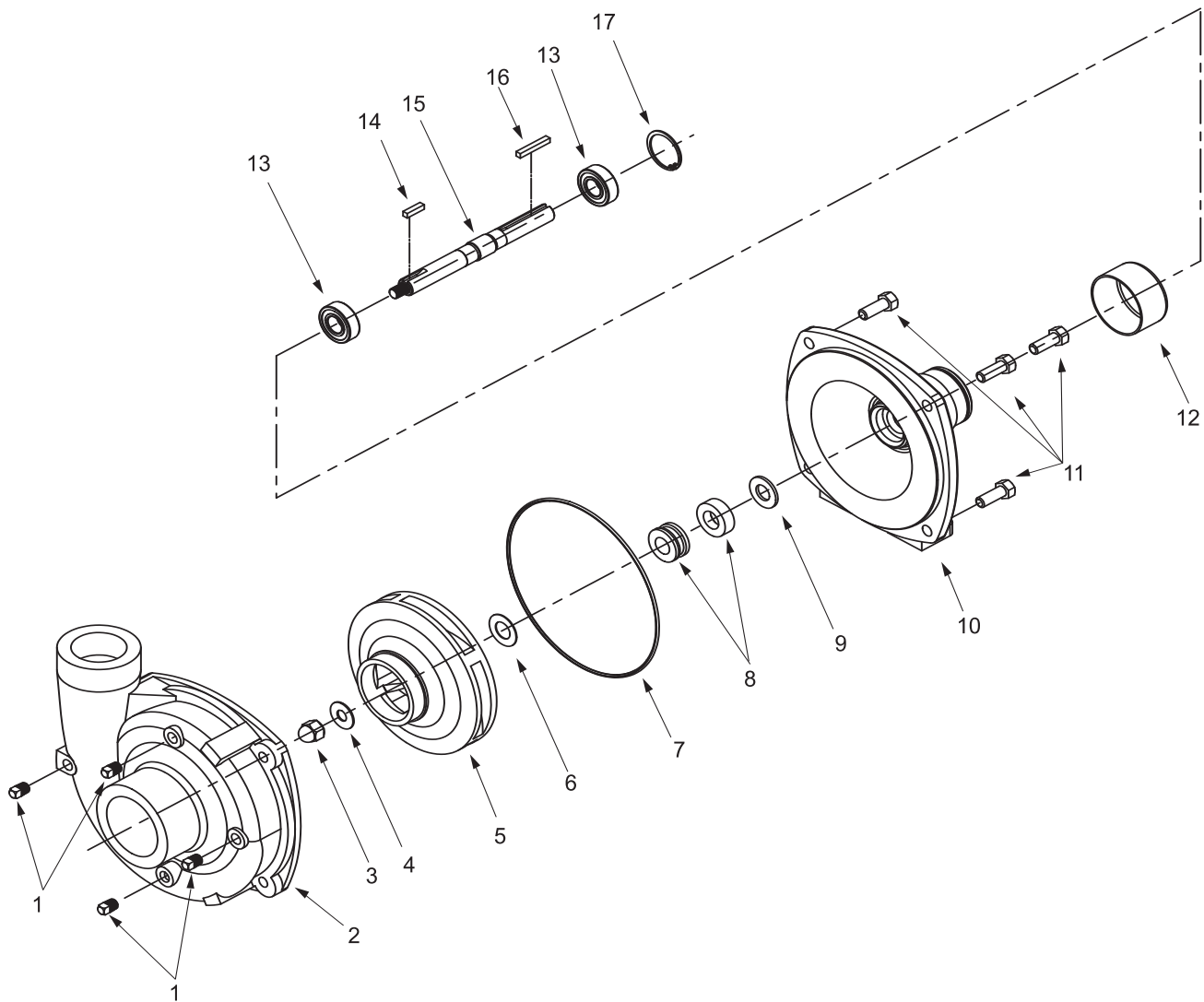


# Model 9204C



Seal Kit No. 3430-0332 for 9204C (Std.) consists of:

- (1) Ref. 6 Gasket
- (1) Ref. 7 O-ring
- (1) Ref. 8 Mechanical Seal

Seal Kit No. 3430-0589 (Silicon Carbide) consists of:

- (1) Ref. 7 O-ring
- (1) Ref. 8 Mechanical Seal

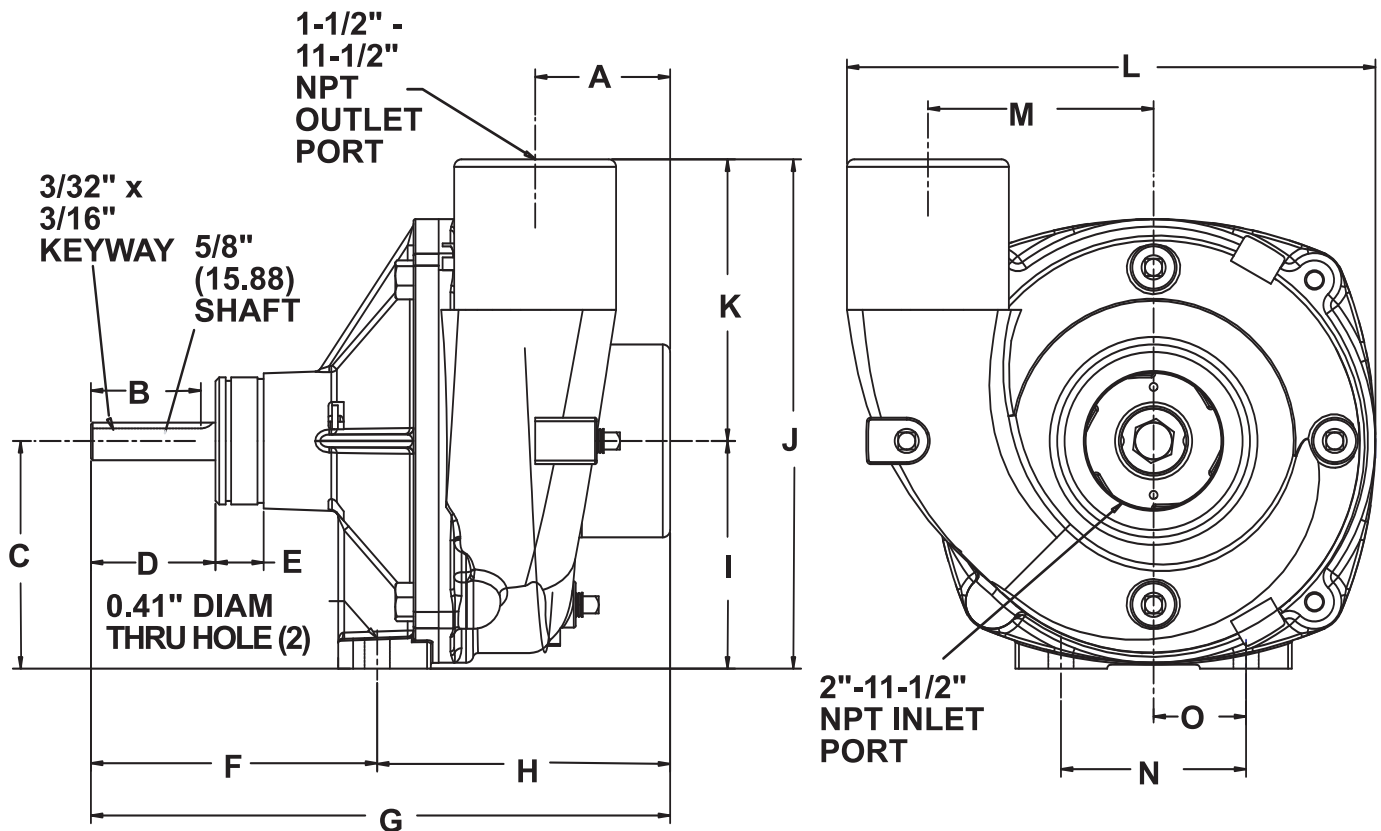
**Note:** When ordering parts, give quantity, part number, description and complete model number. Reference numbers are used ONLY to identify parts in the drawing and NOT to be used as order numbers.

Ref. No.	Qty. Req'd.	Part No.	Description
1	4	2406-0007	Drain Plug
2	1	0151-9200C	Pump Casing (includes SS wear ring)
3	1	2253-0002	Impeller Nut
4	1	2270-0071	Washer
5	1	0401-9200P2	Impeller (Nylon)
6	1	1700-0100	Gasket
7	1	1720-0083	O-ring
8	1	2120-0008	Mechanical Seal (Buna-N - Optional)
8	1	2120-0009	Mechanical Seal (Viton - Standard)
8	1	3430-0589	Mechanical Seal (Silicon Carbide-Opt.)

Ref. No.	Qty. Req'd.	Part No.	Description
9	1	1410-0056	Slinger Ring
10	1	0750-9200C3	Mounting Flange
11	4	2210-0020	Bolt
12	1	2300-0025	Protective Cover
13	2	2000-0010	Ball Bearing
14	1	1610-0053	Key
15	1	0505-9200	Pump Shaft
16	1	1610-0004	Key
17	1	1820-0013	Bearing Retainer

9204C		GPM at	HP	GPM at	HP	GPM at	HP	GPM at	HP	GPM at	HP	GPM at	HP	GPM at	HP	
	RPM	10 PSI		20 PSI		30 PSI		40 PSI		50 PSI		60 PSI		70 PSI		
	2400	155	2.5	100	2.2											
	3600	190	6.3	190	6.9	188	7.1	170	6.9	100	5.6					
4200	190	9.1	190	9.2	190	10.0	190	10.4	187	10.5	165	10.0	115	8.3		

9204C		LPM at	HP	LPM at	HP	LPM at	HP	LPM at	HP	LPM at	HP	LPM at	HP	LPM at	HP	
	RPM	0.7 BAR		1.4 BAR		2.1 BAR		2.8 BAR		3.4 BAR		4.1 BAR		4.8 BAR		
	2400	578	2.5	379	2.2											
	3600	719	6.3	719	6.9	712	7.1	644	6.9	379	5.6					
4200	719	9.1	719	9.2	719	10.0	719	10.4	708	10.5	625	10.0	435	8.3		



9204C

Dimensions

	A	B	C	D	E	F	G	H	I	J	K	L	M	N	O
Inches	2.19	1.78	3.69	2.02	0.78	4.64	9.39	4.75	3.69	8.25	4.56	8.56	3.66	3	1.5
mm	55.6	45.2	93.7	51.3	19.8	118	239	121	93.7	210	116	217	93	76.2	38.1