

Replacement Parts

NOTE

When ordering parts, give **QUANTITY**, **PART NUMBER**, **DESCRIPTION** and **COMPLETE MODEL NUMBER**. Reference numbers are used **ONLY** to identify parts in the drawing and are **NOT** to be used as order numbers.

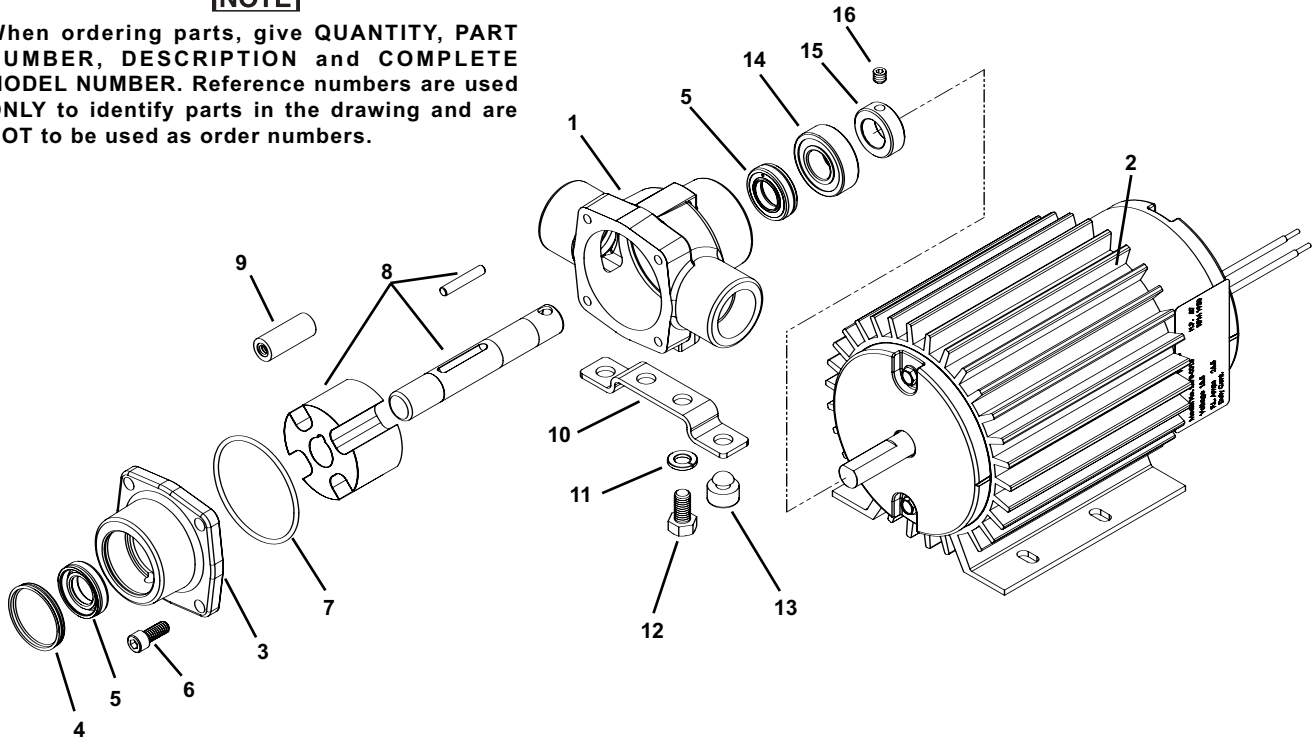


Figure 6

Ref. No.	Qty. Req'd	Part Number	Description
1	1	0100-4001N	Body (Ni-Resist) with Std. Seal (4001)
1	1	0100-4101N	Body (Ni-Resist) with Std. Seal (4101)
1	1	0100-4001X	Body (Silvercast) with Std. Seal (4001)
1	1	0100-4101X	Body (Silvercast) with Std. Seal (4101)
2	1	2570-0013	Electric Motor (12 vdc, .33 hp) (gold)
2	1	2570-0015	Electric Motor (12 vdc, .39 hp) (black)
3	1	0200-4001N	Endplate (Ni-Resist) Std. Seal (4001)
3	1	0200-4101N	Endplate (Ni-Resist) Std. Seal (4101)
3	1	0200-4001X	Endplate (Silvercast) Std. Seal (4001)
3	1	0200-4101X	Endplate (Silvercast) Std. Seal (4101)
4	1	2300-0021	Bearing Cover
5	2	2107-0002	Viton Seal (Standard)
5	2	2102-0001	Buna-N Seal (Optional)
5	2	2102-0001T	Teflon-Coated Buna-N Seal (Optional)
6	4	2220-0018	Endplate Screw
7	1	1720-0104	O-ring Gasket for Endplate
8	1	3430-0780	Rotor Assembly (Std. 4001 Ni-Resist & XL) Contains: rotor, shaft and pin
	1	3430-0781	Rotor Assembly (Std. 4101 Ni-Resist & XL) Contains: rotor, shaft and pin

Ref. No.	Qty. Req'd	Part Number	Description
9	4	1005-0002	Super Rollers (Standard)
9	4	1002-0002	Polypropylene Rollers (Optional)
9	4	1055-0002	Teflon Rollers (Optional)
10	1	1510-0054	Base
11	2	2260-0002	Lock Washer
12	2	2210-0003	Bolt
13	2	1450-0003	Bumper
14	2	2000-0010	Ball Bearing
15	1	1420-0001	Locking Collar
16	1	2230-0001	Set Screw
	1	4001N-H	Complete Roller Pump Assy (Not Shown)
	1	4001XL-H	Complete Roller Pump Assy (Not Shown)
	1	4101N-H	Complete Roller Pump Assy (Not Shown)
	1	4101XL-H	Complete Roller Pump Assy (Not Shown)

Repair Parts Kit No. 3430-0390 Consists of: (4) Ref. 9 Super Rollers, (1) Ref. 7 O-Ring Gasket, (2) Ref. 5 Viton Seals.

Repair Parts Kit No. 3430-0158 Consists of: (4) Ref. 9 Polypropylene Rollers, (1) Ref. 7 O-Ring Gasket, (2) Ref. 5 Viton Seals.