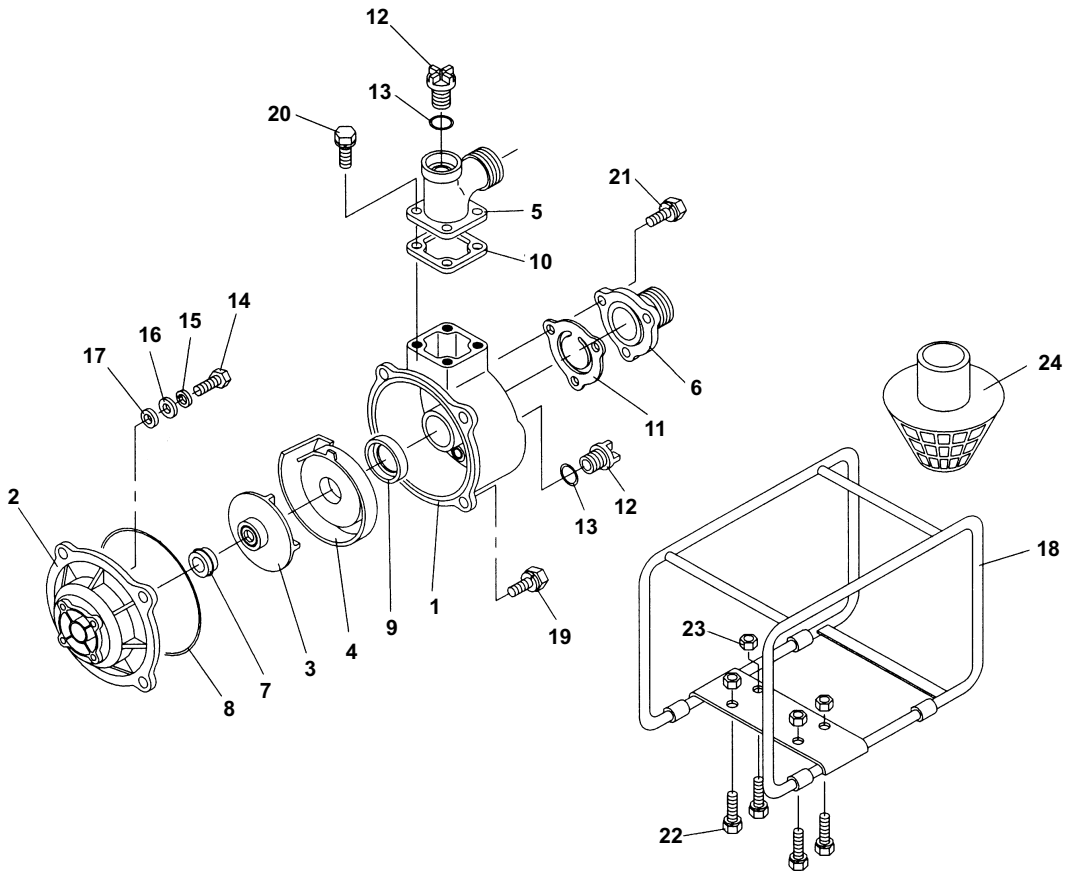


Model 1573-SPX



Ref. No.	Qty. Req'd.	Part No.	Description
1	1	ENGINE	HONDA GX160
2	1	DS-801-001	Casing
3	1	DS-501-004	Casing Cover
4	1	DS-801-009	Impeller
5	1	DS-801-011	Inner Casing
6	1	DS-801-019N	Discharge Port
7	1	DS-801-013N	Inlet Port
8	1	2120-0036	Mechanical Seal (Viton)
9	1	DS-501-002	O-Ring
10	1	DS-801-012	Gasket
11	1	DS-801-020	Gasket
12	2	DS-801-015	Check Valve
		DS-501-021	Plug and O-Ring #13

Ref. No.	Qty. Req'd.	Part No.	Description
13	2	Not Available	O-Ring
14	4	DS-501-005	Bolt M8X48
15	4	DS-501-007	Spring Washer (8mm)
16	4	DS-501-008	Flat Washer (8mm)
17	4	DS-501-006	Gasket
18	1	DS-801-030N-2	Frame (Black)
19	4	DS-501-003	Bolt M10X30SW
20	4	DS-501-014	Bolt M8X25SW
21	3	DS-801-014	Bolt M8X30SW
22	4	Not Available	Bolt M8X40SW
23	4	Not Available	Lock Nut (M8)
24	1	DS-801-029	Strainer