





## Hazardous Substance Alert

**Please Note:** It is illegal to ship or transport any hazardous chemicals without United States Environmental Protection Agency Licensing.

1. Always drain and flush pumps before servicing or disassembling for any reason.

2. Before returning unit for repair, drain out all liquids and flush unit with neutralizing liquid. Then, drain the pump. Attach a tag or include a written notice certifying that this has been done.
3. Never store pumps containing hazardous chemicals.

## Plumbing Installation

### Preliminary to Mounting

Before setting up the pump for operation, check to see that the motor and pump turn freely by hand. If it cannot be turned over by pulling on the recoil starter, open casing to check for obstructions lodged in pump.

### Selecting the Suction Line

To get full capacity of the pump, the suction line should be the same size as the pump suction port. If suction hose is longer than approximately 6 feet, use next size larger hose. The suction line must be free of air leaks. All joints and connections of the suction line must be tightened securely so that no additional air may enter the suction side through a

loose connection. Use a good grade of suction hose that will not collapse.

### Basket Strainer

The basket strainer supplied with this pump is to be used when transferring solutions that may contain debris and solids which could become lodged in the pump or damage the impeller. Because of the high flow capacity of this pump, unknown debris could be siphoned off the bottom of the tank. Install the strainer on the suction side of the pump whenever possible to avoid pump damage.



## Operation and Maintenance

### Preparations before Starting the Engine

1. Fuel: Check fuel level in tank. Do not over fill tank. Use fresh, clean automotive fuel. **Note: DO NOT FILL FUEL TANK WHEN ENGINE IS RUNNING.**
2. Engine Oil: Before checking or refilling with engine oil, make sure the engine is stopped and placed on a stable, level surface. Use oil recommended for ambient air temperatures that the engine will be running at. See chart below. Change oil according to manufacturer's recommendation. (Once after the first 20 hours and every 100 hours thereafter.)

Air Temperature	Single-grade Oil
85° F	#40W
60° F	#30W
32° F	#20W

3. Priming Water: **IMPORTANT: PUMP MUST NOT BE RUN DRY.** On self-priming pumps, only the chamber needs to be filled with liquid. The pump must not run unless the priming chamber is completely filled with liquid because there is a danger of damaging the mechanical seal, which depends on the liquid for its lubrication.

Self-priming models can be primed by removing the filler cap, located at the top of the pump where the discharge line is mounted to the pump, and filling the priming chamber with liquid. The priming chamber will fill to the level of the inlet port. After use, the priming chamber should be flushed and drained to avoid chemical

corrosion and damage from freezing. Drain by removing the lower drain plug located at the bottom of the casing.

### Starting the Pump

**IMPORTANT: Before starting engine, be sure the priming chamber is filled with liquid and the discharge hose is secure.**

1. Turn engine switch located by recoil starter to ON position.
2. Turn the fuel cock to ON.
3. Push the throttle lever to a slightly open position.
4. Operation of choke lever.

#### **When engine is cold:**

In cold weather, start engine with choke in fully closed position.

In warm weather, start engine with choke in half-closed position.

#### **When engine is warm:**

Start engine with choke in fully open position.

5. Start engine by pulling recoil starter out quickly and forcefully. Repeat pulling until the engine starts.

### Operation of the Pump

1. Idle the engine for 3 to 5 minutes to warm it up.
2. Open the throttle lever to the upper zone after engine has warmed up.
3. Once the pump has primed, you will note a load on the engine; adjust rpms to proper speed for your pumping application.

## Operation and Maintenance

### (Operation and Maintenance Continued)

#### Stopping the Pump

1. Stop pump for a short time:  
Run engine throttled all the way down (fully to the right).  
Turn engine switch to OFF position.
2. Stopping pump for storage:  
Turn fuel cock to OFF position instead of turning the engine switch off.  
Let the engine idle for 2 to 3 minutes until fuel in carburetor is depleted and engine stops. If a valve is installed on the discharge hose, you may run pump with valve closed during this procedure.

**Note: Pump must not be run dry. Make sure there is water in the priming chamber.**

#### Storage

1. Drain pump. Flush Pump after Use.  
One of the most common causes for faulty pump performance is gumming or corrosion inside the pump. Flush the pump and entire system with a solution that

will chemically neutralize the liquid pumped. Mix according to the manufacturer's directions. This will dissolve most residues remaining in the pump, leaving the inside of the pump clean and ready for use.

#### To Prevent Corrosion:

After cleaning the pump as directed above, flush it with permanent-type automotive antifreeze (Prestone, Zerex, etc.) containing a rust inhibitor. Use a 50% solution; half antifreeze and half water, or fill the pump with FLUID FILM and drain it. A protective coating of FLUID FILM will remain on the inner pump surfaces. Save the excess FLUID FILM for the next application. Plug ports to keep out air during storage. For short periods of idleness, noncorrosive liquids may be left in the pump, BUT AIR MUST BE KEPT OUT. Plug the ports or seal port connections.

2. Drain all the fuel from the fuel tank, fuel lines, and filter.
3. Store pump in a clean, dry environment.

## Repair Instructions

**Always flush pump with water or neutralizing agent before servicing.**

#### Pump Housing Disassembly

For this pump model, seal replacement requires that the pump be fully removed from the engine. Observe carefully the disassembly process, (orientation and order of part assembly) to ensure an easy assembly process.

1. **Pull spark plug wire off spark plug for safety considerations.** Remove the four bolts holding the casing to the casing cover and frame using a 14mm socket wrench. Tap pump casing on the discharge port with a rubber hammer, if necessary, to break it loose from the casing cover. Check inside pump casing. If badly eroded or damaged, pump casing should be replaced. Remove O-rings from casing cover and volute.



2. Remove volute and inspect for wear. Replace if eroded.
3. Remove impeller by turning it counterclockwise using a socket and impact wrench. If an impact wrench is not available, it may be necessary to hold the crankshaft from turning. To keep the crankshaft from turning during disassembly, remove the three bolts holding the recoil starter using a 10mm socket wrench. Then, using a pipe wrench or another tool, hold the starter hub and

spin the impeller bolt off. Look for shims that may be present between the impeller and shaft. This shim is for obtaining the proper clearance between the impeller and volute. Be careful not to damage the starter hub while gripping it with the wrench.



4. Between the impeller and casing cover is the mechanical seal. On the backside of the impeller is the seal's ceramic seat. If either part of the seal is damaged, with cracked or scuffed surfaces, the seal will fail to perform satisfactory and will leak. To remove the seal seat from the impeller, use a small blade screwdriver and wedge the seal seat out and discard. To remove the mechanical seal, it is necessary to first remove the casing cover by removing the four bolts holding it to the engine, using 13mm socket wrench.

## Repair Instructions

### (Repair Instructions - continued)

Note that these bolts have seal washers on them and must not be damaged. From the backside of the casing cover, press the mechanical seal out and discard it.

### Clean-up of Pump Housing

If necessary, clean the pump casing, volute, and casing cover using a solvent to remove debris and corrosion particles. Use a wire brush to further remove buildup of debris if it doesn't soak loose.

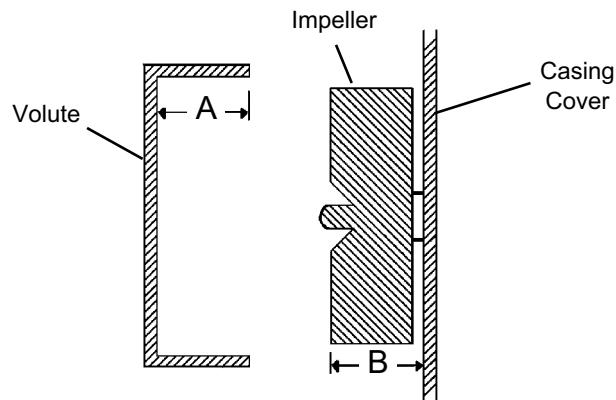
### Seal Replacement and Pump Housing Assembly

1. Apply a light bead of RTV sealant to the top edge of the seal cavity on the casing cover.
2. Insert the stationary portion of the new mechanical seal by carefully pushing only on the outer metal ring as you press it into the casing cover. Use a tool with 1 1/2" ID, such as a 1 1/2" PVC pipe, 4" long, that fits over the carbon face of the seal, but pushes only on the metal ring to insert the seal. Be careful to avoid scratching the seal's carbon surface.



3. Bolt casing cover on engine. Note the arrow and word UP to indicate orientation of the casing cover. Use bolts with washers on them. Install o-ring on casing cover; replace with a new o-ring if necessary.
4. Lubricate the seal cavity of the impeller with WD-40, LPS, or equivalent, and carefully press the seal's mating ceramic ring in place, seating it squarely on the bottom of the cavity. **IMPORTANT: MAKE SURE BOTH OF THE SEAL'S SURFACES ARE CLEAN AND LUBRICATED. NEVER RUN THE SEAL SURFACES DRY.**
5. Place the impeller on the shaft and spin it clockwise to tighten it on the shaft. Secure the impeller using a socket and wrench (see step 3 in Disassembly Instructions for socket size).

6. It is now necessary to check the clearance between the impeller and volute. As shown in the sketch below, measure the inside depth of the volute case (distance A). Then measure the distance from the casing cover to the front edge of the impeller (distance B). The difference between the two measurements should be between 0.024 and 0.036" or about 1/32" clearance. If the value is out of range, remove the impeller and adjust by adding or removing brass shims to achieve the correct amount of clearance.



(A) - (B) = within 0.024 - 0.036 inches.

7. Place a new o-ring in the groove of the volute's inlet if necessary. Place the volute in place with the notch pointing up so that it mates with the casing cover at the inlet port. It may be necessary to tip the engine on its side for this assembly.
8. Carefully set casing over volute and bolt casing onto casing cover and frame. It may be necessary to tip the engine on its side for this assembly.
9. Once assembly is complete, pull on engine recoil starter with engine switch in OFF position to verify that the impeller rotates smoothly without catching. Connect spark plug wire. Assembly and inspection is now complete.

## Troubleshooting

Symptom	Probable Cause(s)	Corrective Action(s)
No discharge	Pump not priming	Discharge line must be open for priming to occur. If valve is installed, check that it is open.
	Pump not priming	Fill priming chamber with water.
	Pump not priming	Increase engine speed.
Low discharge	Air leaks in suction line	Check inlet fittings for leaks. Seal leaks.
	Undersized or collapsed suction hose	Suction inlet hose should be same diameter as inlet port fitting. Check hose for kinks.
	Blocked or clogged inlet	Inspect basket strainer and clear any debris from screen.
	Impeller plugged	Inspect and clear obstruction.
Fluid leaking from pump	Mechanical seal failure	Determine fluid is coming from weep holes between pump and engine. Change out seal.
	Crack in pump housing	Check casing and casing cover for damage.
Engine doesn't run	Check oil & gas	Refer to engine manual for troubleshooting problem.

## Performance Data

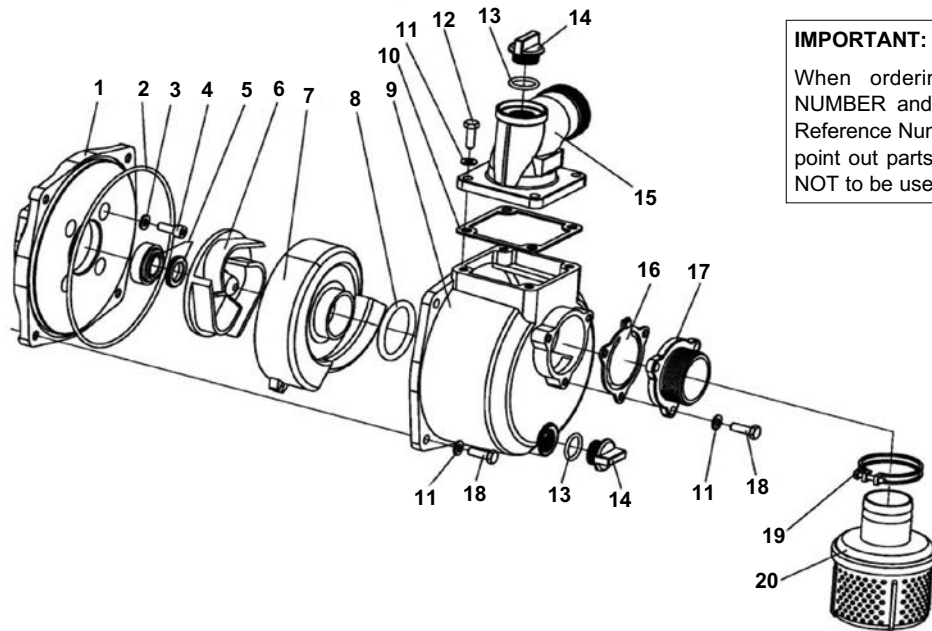
Performance data is based on testing with water. Performance will vary with fluid density and/or viscosity.

Model 1542A-65SP, Model 1542A-160HSP	5 PSI	10 PSI	15 PSI	20 PSI	25 PSI	30 PSI	35 PSI	40 PSI	45 PSI
	GPM	GPM	GPM	GPM	GPM	GPM	GPM	GPM	GPM
	161.85	147.04	132.24	116.38	100.5	79.42	59.1	30.3	6.75

Model 1543A-65SP, Model 1543A-160HSP	5 PSI	10 PSI	15 PSI	20 PSI	25 PSI	30 PSI	35 PSI	40 PSI	45 PSI
	GPM	GPM	GPM	GPM	GPM	GPM	GPM	GPM	GPM
	275.64	252.13	227.15	201.2	173.2	142.22	102.4	50.45	0

Model 1543A-65TSP, Model 1543A-160HTSP	5 PSI	10 PSI	15 PSI	20 PSI	25 PSI	30 PSI	35 PSI	40 PSI	45 PSI
	GPM	GPM	GPM	GPM	GPM	GPM	GPM	GPM	GPM
	237.47	211.26	185.06	153.14	115.62	60.71	16.34	0	0

**Models 1542A-65SP, 1542A-160HSP, 1543A-65SP and 1543A-160HSP**



**IMPORTANT:**  
When ordering parts, give PART NUMBER and PART DESCRIPTION. Reference Numbers are used ONLY to point out parts in the drawing and are NOT to be used as ordering numbers.

**Standard Seal Kit No. 3430-0799** Consists of (1) Ref. 2 O-ring, (4) Ref. 3 Sealed Washers, (1) Ref. 5 Mechanical Seal, (1) Ref. 8 O-ring, (1) Ref. 10 Outlet Sealed Washer, (2) Ref. 13 O-rings, and (1) Ref. 16 Check Valve

**SiC Seal Kit No. 3430-0802** Same as standard kit but contains (1) Ref. 5 SiC mechanical seal in place of standard carbon/ceramic

**Standard Seal Kit No. 3430-0800** Consists of (1) Ref. 2 O-ring, (4) Ref. 3 Sealed Washers, (1) Ref. 5 Mechanical Seal, (1) Ref. 8 O-ring, (1) Ref. 10 Outlet Sealed Washer, (2) Ref. 13 O-rings, and (1) Ref. 16 Check Valve

**SiC Seal Kit No. 3430-0803** Same as standard kit but contains (1) Ref. 5 SiC mechanical seal in place of standard carbon/ceramic

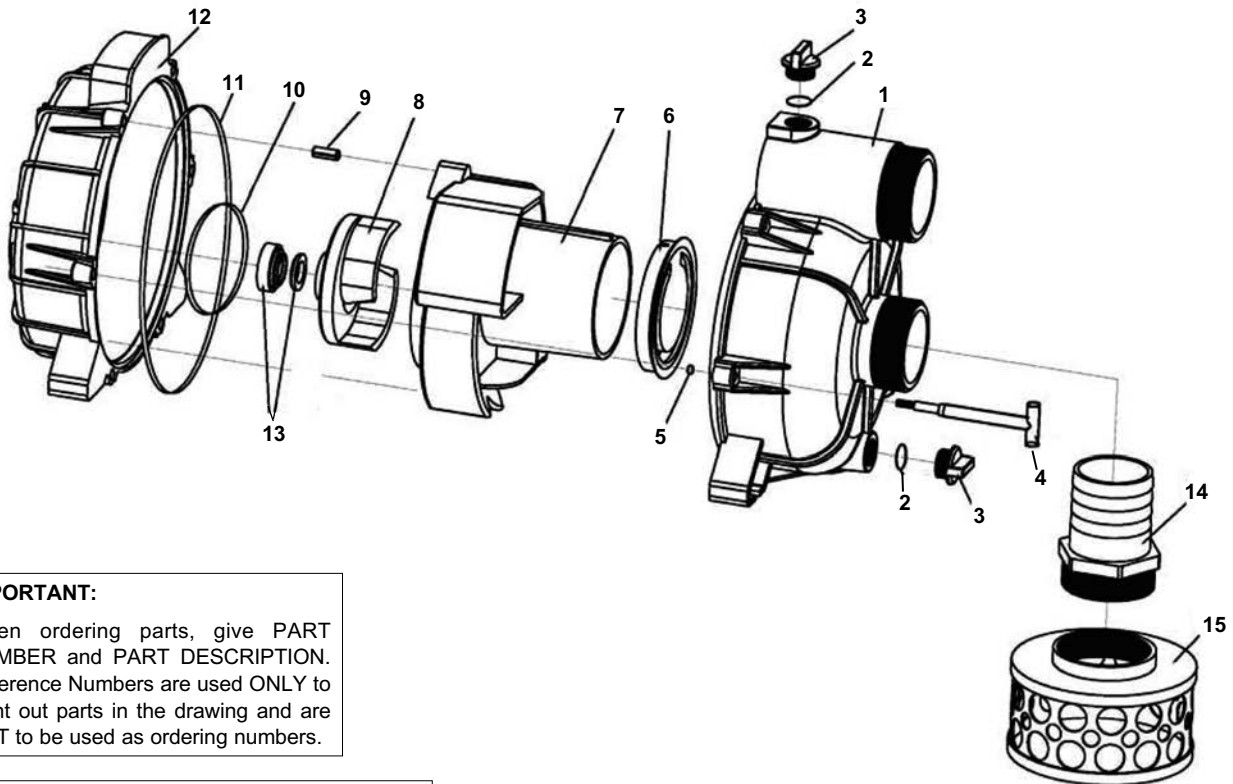
**Parts List for Model 1542A-65SP, 1542A-160HSP**

**Parts List for Model 1543A-65SP, 1543A-160HSP**

Ref. No.	Qty. Req'd.	Part No.	Description
	1	2543-0045	PowerPro™ 6.5 hp
	1	2541-0060	Honda GX160
	1	2801-0011	Frame
	4	2210-0021	Bolt
	4	2270-0112	Washer
	4	2250-0008	Hex Nut
1	1	N/A	Pump Cover
2	1	N/A	O-ring 196mmx4mm
3	4	N/A	Sealed Washer
4	4	N/A	Hex Bolt M8x55
5	1	N/A	Mechanical Seal
6	1	0400-1542	Impeller
7	1	N/A	Diffuser
8	1	N/A	O-ring 53mmx7mm
9	1	N/A	Pump Body
10	1	N/A	Outlet Sealed Washer
11	11	2270-0112	Washer
12	4	19708	Hex Bolt M8x25
13	2	N/A	O-ring 23x3.5mm
14	2	3240-0008	Plug
15	1	2404-0409	Outlet Flange
16	1	N/A	Check Valve
17	1	2404-0405	Inlet Flange
18	7	2210-0120	Hex Bolt M8x20
19	4	N/A	Clamp
20	3	3350-0174	Strainer

Ref. No.	Qty. Req'd.	Part No.	Description
	1	2543-0045	PowerPro™ 6.5 hp
	1	2541-0060	Honda GX160
	1	2801-0011	Frame
	4	2210-0021	Bolt
	4	2270-0112	Washer
	4	2250-0008	Hex Nut
1	1	N/A	Pump Cover
2	1	N/A	O-ring 196mmx4mm
3	4	N/A	Sealed Washer
4	4	N/A	Hex Bolt M8x55
5	1	N/A	Mechanical Seal
6	1	0401-1543	Impeller
7	1	N/A	Diffuser
8	1	N/A	O-ring 53mmx7mm
9	1	N/A	Pump Body
10	1	N/A	Outlet Sealed Washer
11	11	2270-0112	Washer
12	4	19708	Hex Bolt M8x25
13	2	N/A	O-ring 23x3.5mm
14	2	3240-0008	Plug
15	1	2404-0410	Outlet Flange
16	1	N/A	Check Valve
17	1	2404-0406	Inlet Flange
18	7	2210-0120	Hex Bolt M8x20
19	4	N/A	Clamp
20	3	3350-0175	Strainer

**Model 1543A-65TSP, 1543A-160HTSP**



**IMPORTANT:**

When ordering parts, give PART NUMBER and PART DESCRIPTION. Reference Numbers are used ONLY to point out parts in the drawing and are NOT to be used as ordering numbers.

**Standard Seal Kit No. 3430-0801**

Consists of (2) Ref. 2 O-ring, (1) Ref. 6 Check Valve, (1) Ref. 10 O-ring, (1) Ref. 11 O-ring, and (1) Ref. 13 Silicon Carbide Mechanical Seal

Ref. No.	Qty. Req'd.	Part No.	Description
	1	2543-0045	PowerPro™ 6.5 hp
	1	2541-0060	Honda GX160
	1	2801-0012	Frame
	4	2210-0021	Bolt
	4	2270-0112	Washer
	4	2250-0008	Hex Nut
1	1	N/A	Pump Body
2	2	N/A	O-ring 23x3.5mm
3	2	3240-0008	Plug
4	6	2280-0006	T-type Screw
5	6	N/A	O-ring 5x2.65mm
6	1	N/A	Check Valve
7	1	N/A	Diffuser
8	1	0402-1543	Impeller
9	1	N/A	Column Pin
10	1	N/A	O-ring 125x2.65mm
11	1	N/A	O-ring 260x5mm
12	1	N/A	Pump Cover
13	1	N/A	Mechanical Seal
14	1	2404-0408	Hex Hose Joint
15	1	3350-0176	Strainer

## Limited Warranty on Hypro/SHURflo Agricultural Pumps & Accessories

Hypro/SHURflo (hereafter, "Hypro") agricultural products are warranted to be free of defects in material and workmanship under normal use for the time periods listed below, with proof of purchase.

- Pumps: one (1) year from the date of manufacture, or one (1) year of use. This limited warranty will not exceed two (2) years, in any event.
- Accessories: ninety (90) days of use.

This limited warranty will not apply to products that were improperly installed, misapplied, damaged, altered, or incompatible with fluids or components not manufactured by Hypro. All warranty considerations are governed by Hypro's written return policy.

Hypro's obligation under this limited warranty policy is limited to the repair or replacement of the product. All returns will be tested per Hypro's factory criteria. Products found not defective (under the terms of this limited warranty) are subject to charges paid by the returnee for the testing and packaging of "tested good" non-warranty returns.

No credit or labor allowances will be given for products returned as defective. Warranty replacement will be shipped on a freight allowed basis. Hypro reserves the right to choose the method of transportation.

This limited warranty is in lieu of all other warranties, expressed or implied, and no other person is authorized to give any other warranty or assume obligation or liability on Hypro's behalf. Hypro shall not be liable for any labor, damage or other expense, nor shall Hypro be liable for any indirect, incidental or consequential damages of any kind incurred by the reason of the use or sale of any defective product. This limited warranty covers agricultural products distributed within the United States of America. Other world market areas should consult with the actual distributor for any deviation from this document.

### Return Procedures

All products must be flushed of any chemical (ref. OSHA section 1910.1200 (d) (e) (f) (g) (h)) and hazardous chemicals must be labeled/tagged before being shipped\* to Hypro for service or warranty consideration. Hypro reserves the right to request a Material Safety Data Sheet from the returnee for any pump/product it deems necessary. Hypro reserves the right to "disposition as scrap" products returned which contain unknown fluids. Hypro reserves the right to charge the returnee for any and all costs incurred for chemical testing, and proper disposal of components containing unknown fluids. Hypro requests this in order to protect the environment and personnel from the hazards of handling unknown fluids.

Be prepared to give Hypro full details of the problem, including the model number, date of purchase, and from whom you purchased your product. Hypro may request additional information, and may require a sketch to illustrate the problem.

**Contact Hypro Service Department at 800-468-3428 to receive a Return Merchandise Authorization number (RMA#).** Returns are to be shipped with the RMA number clearly marked on the outside of the package. Hypro shall not be liable for freight damage incurred during shipping. Please package all returns carefully. All products returned for warranty work should be sent **shipping charges pre-paid** to:

HYPRO / PENTAIR  
Attention: Service Department  
375 Fifth Avenue NW  
New Brighton, MN 55112

For technical or application assistance, call the **Hypro Technical/Application number: 800-445-8360**, or send an email to: **technical@hypropumps.com**. To obtain service or warranty assistance, call the **Hypro Service and Warranty number: 800-468-3428**; or send a fax to the **Hypro Service and Warranty FAX: 651-766-6618**.

\*Carriers, including U.S.P.S., airlines, UPS, ground freight, etc., require specific identification of any hazardous material being shipped. Failure to do so may result in a substantial fine and/or prison term. Check with your shipping company for specific instructions.

Visit [www.hypropumps.com/register](http://www.hypropumps.com/register) today to register your product and stay up-to-date on new products and promotional offers.

The following information is required:

Model # \_\_\_\_\_ Serial # \_\_\_\_\_

