

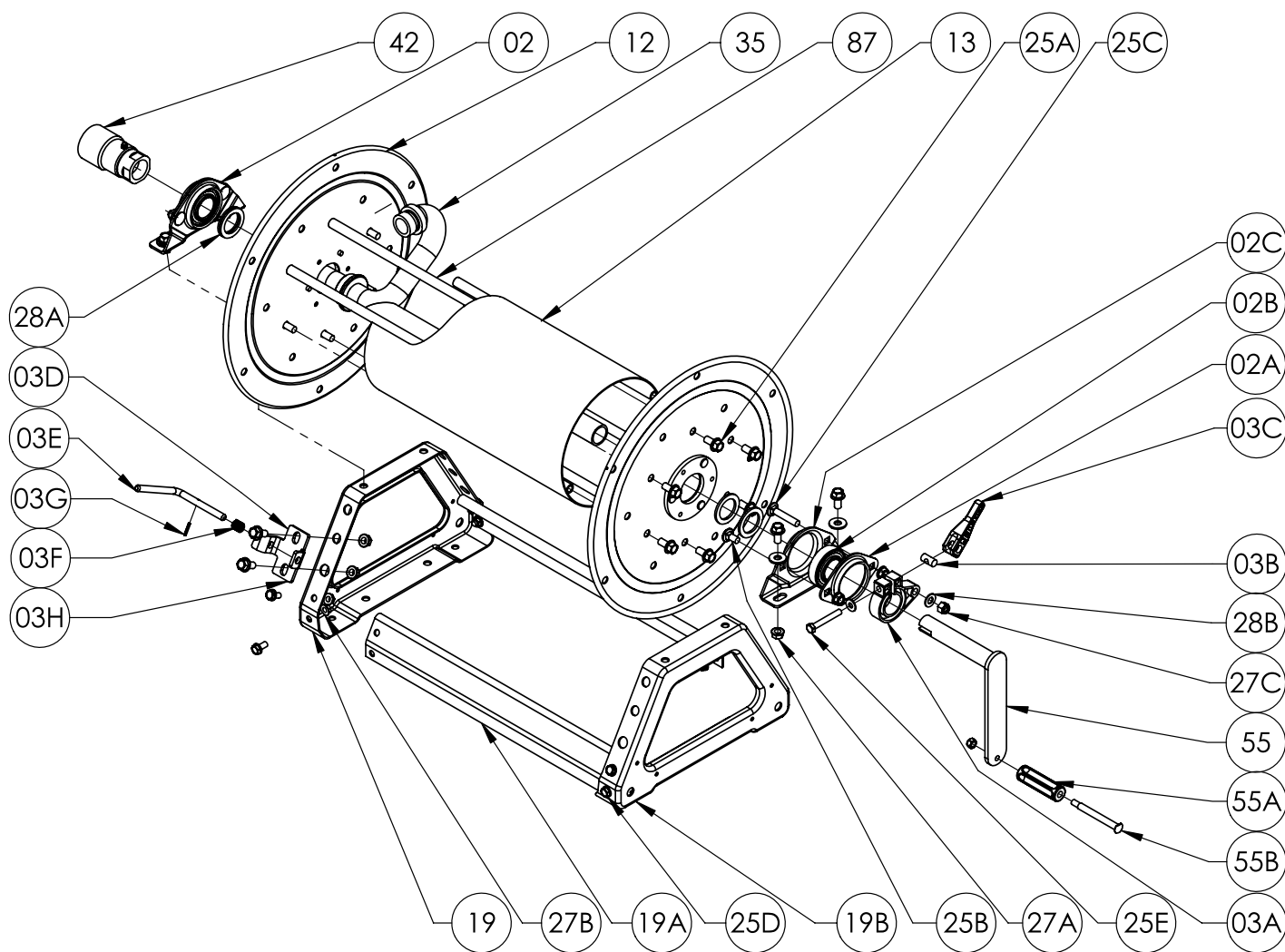


# Hannay Reels®

*The reel leader.*

Hannay Reels, Inc., 553 State Route 143  
Westerlo, NY 12193  
Telephone 518-797-3791 • Toll Free 1-877-GO-REELS (467-3357)  
FAX 1-800-REELING (733-5464)  
INT'L FAX (518) 797-3259  
Website: [www.hannay.com](http://www.hannay.com)  
E-mail: [reels@hannay.com](mailto:reels@hannay.com)

## ISO 125 PARTS LIST SERIES 4000 MANUAL REWIND



**PARTS LIST**  
**ISO 125**  
**Series 4000 - manual**

When ordering parts

**BE SURE TO SPECIFY COMPLETE MODEL NUMBER and SERIAL NUMBER OF REEL.**  
**USE PART NUMBER!**

<u>Item No.</u>	<u>Description</u>	<u>PART NUMBER</u>	<u>Quantity</u>
02	1" Self Aligning Bearing Complete (Includes 02A, 02B, 02C, 25B and 27A)...	9902.1400	2
02A	Self Aligning Bearing Holder (Steel E-Coated).....	9902.2800	2
02B	1" Self Aligning Bearing Insert (Plated) .....	9902.1500	2
02C	Self Aligning Bearing Pillowblock (Steel E-Coated).....	9902.2900	2
03	Cam Lock Drag Brake Complete (Includes Mounting Hardware) .....	9947.0140	1
03A	Cam Lock Drag Brake for 1800 Series (Hub Piece Only) .....	9947.0141	1
03B	Brass Barrel Nut for Cam Lock Brake .....	9947.0133	1
03C	Cam Lock Drag Brake Lever .....	9947.0132	1
03D	PL-1 Pinlock (Steel E-Coated) Complete .....	9965.0030	1
03E	SST Pin for PL-1 Pinlock .....	9965.0031	1
03F	Pinlock Spring.....	9965.0032	1
03G	1/8" x 3/4" Spring Pin.....	9958.0049	1
03H	PL-1 Pinlock Bracket Only.....	9965.0035	1
12	17-18 Disc (16-1/2" Diameter) (Steel E-Coated) .....	9903.0721	2
13	8" Diameter Aluminum Drum (Specify Model).....	9905.3121	1
19	Trapezoid Frame (Steel E-Coated) .....	9908.1000	1
19A	Foot Stock (Steel E-Coated) (Specify Model) .....	9907.6000	2
19B	Side Frame (Steel E-Coated) .....	9906.0011	2
25A	3/8"-16 x 3/4" Spinlock Bolt .....	9904.2201	26
25B	3/8"-16 x 3/4" Carriage Bolt .....	9904.0201	3
25C	3/8"-16 x 2" Carriage Bolt .....	9904.0206	1
25D	5/16"-18 x 5/8" Hex Head Flanged Bolt.....	9904.1159	8
25E	5/16"-18 x 2-1/4" Hex Head Bolt with Nylock Patch .....	9904.1107	1
27A	3/8"-16 Spinlock Nut .....	9904.6200	18
27B	5/16"-18 Spinlock Nut .....	9904.5602	8
27C	3/8"-16 Hexhead Nut (ESNA for Cam Lock Brake).....	9958.0040	1
28A	1" Pipe Hub Spacer (1-7/8" O.D. x 1-5/16" I.D. x 1/8" Thick).....	9954.0021	As Req'd
28B	3/8" Flat Washer .....	9954.0007	5
35	1" Welded Iron Pipe Hub Assembly with 1" FNPT Riser (Specify Model).....	9901.1600	1
42	1" 90 Degree FxF Steel 4000 PSI Super Swivel Joint (BUNA Packing).....	9929.8551	1
55	Hand Crank (Includes 55A and 55B).....	9914.0031	1
55A	Black Plastic Handle for Crank Only .....	9914.0506	1
55B	3/8" Round Shoulder Bolt w/ Nut.....	9914.0511	1
87	Anodized Aluminum Threaded Spacer Pipe.....	Spec Model	4