

GENERAL PURPOSE ENGINE

GX630R
GX660R
GX690R

PARTS CATALOGUE

1



GX630R



GX690R



GX660R

FOREWORD INDEX

1

ENGINE GROUP

2

PART NUMBER INDEX

3

PART NAME INDEX

4

Instruction for use of parts catalogue

- **This parts catalogue was prepared based on the latest information available as of August 01, 2009.**
- See the parts catalogue news for any revision that is made after August 01, 2009.
- **Always specify the part number when ordering a part.**
- Check the model, type, serial numbers, color, maker, and the size as needed before ordering a part.
- Note that the illustrations (part drawings) can differ from the actual parts in shape. They are given just to help you to refer to the parts.
- **When modifications or additions to this parts catalogue are made, a revised edition will be issued at an appropriate time, with successively progressing revision numbers on the cover. We recommend obtaining such revisions in order to keep your parts catalogue up-to-date at all times. To check whether a parts catalogue revision has been issued, please contact your Honda distributor.**

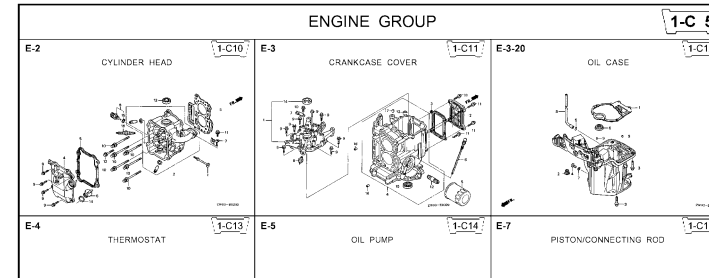
Initial version issue date **August 01, 2009**
Honda Motor Co., Ltd.

CONTENTS

	Page	Address No.	
● Instruction for use of parts catalogue	1	B 1	1
● How to refer to the part information	2	B 2	
● Part catalogue structure	3	B 3	
● When the parts were revised	4	B 4	
● Abbreviations used in the parts catalogue	4	B 4	
● How to check the part block and serial numbers	5	B 5	
● Models, parts catalogue codes and applicable serial numbers	6	B 6	
● Features of each type	8	B 8	
● Fuel hose, general purpose hoses and vinyl hose	11	B11	
● FLAT RATE SERVICE TIME	12	B12	
● Illustrated index	17	C 1	
● ENGINE GROUP	20	D 1	2
● PART NO. INDEX	58	G 1	3
● PART NAME INDEX	60	H 1	4

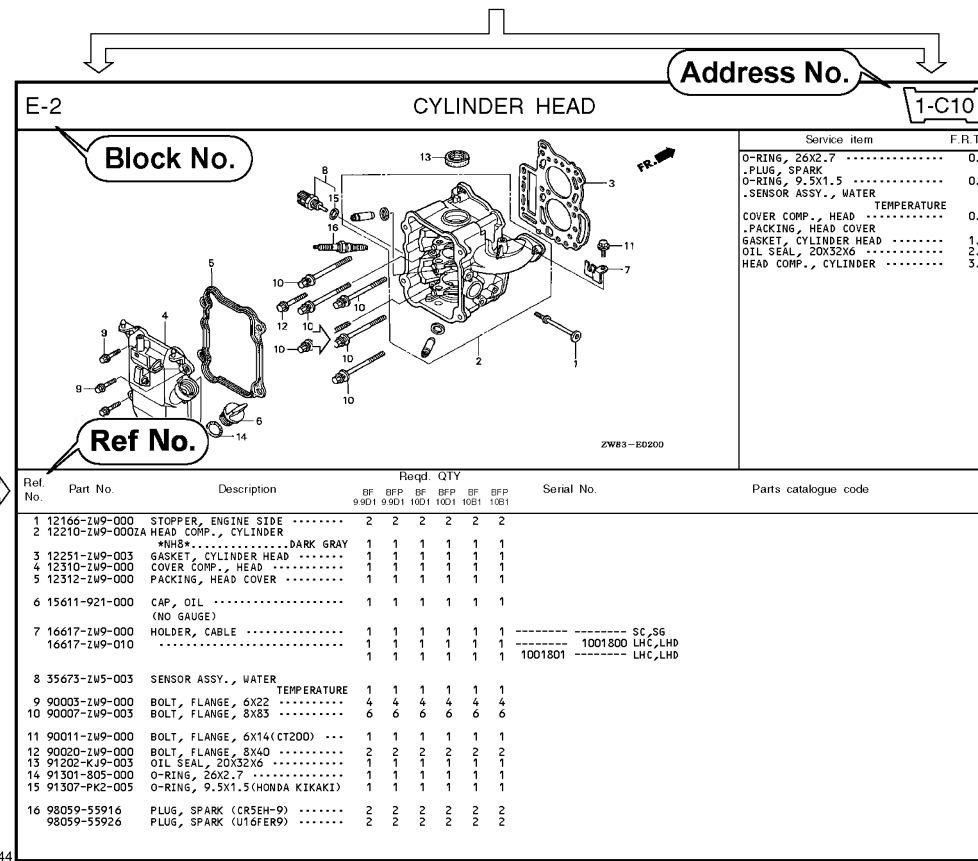
How to refer to the part information

A Reference with "Illustrated index"



B Reference with "Part number index"

PART NO. INDEX					
Part Number	Address	Page	Ref.	Part Number	Address Page
06000				15212-ZW9-000	1-C14 3C
06316-ZW9-000	1-69	88	1	15220-ZW9-003	1-C14 3C
11000				15332-ZW9-000	1-E8 55
11300-ZW9-405	1-C11	27	1	15332-ZW9-A30	1-E11 5E
11300-ZW9-406	1-C11	27	1	15400-PF8-004	1-C11 27
11340-ZW9-000	1-C11	27	2	15422-ZW9-000	1-C14 3C
11342-ZW9-000	1-C11	27	3	15473-881-000	1-C14 3C
11381-ZW9-003	1-C12	28	1	15474-ZW9-000	1-C14 3C
				15611-921-000	1-C10 2E
				15655-ZW9-000	1-C11 27
12000				16000	
12000-ZW9-405ZA	1-C11	27	4	16010-ZV4-005	1-D4 3E
12155-ZV4-A00	1-C13	29	1	16011-ZV4-005	1-D4 3E
12166-ZW9-000	1-C10	26	1	16013-ZW9-003	1-D4 3E
12209-GB4-681	1-C16	32	1	16016-ZW9-003	1-D4 3E
12210-ZW9-405ZA	1-C10	26	2	16016-ZW9-721	1-D4 3E
12216-ZE2-300	1-E8	55	1	16023-ZW9-003	1-D4 3E
	1-E11	58	1	16024-ZV4-650	1-D4 3E
				16028-ZV4-650	1-D4 3E



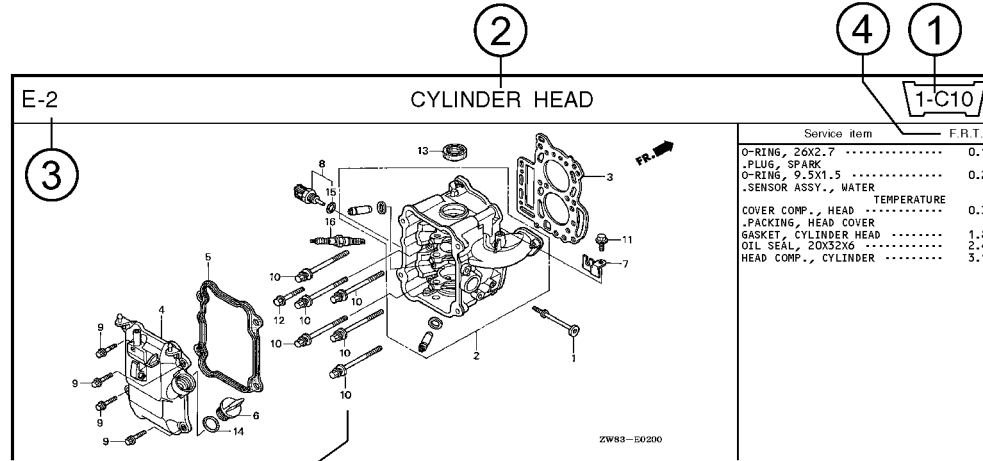
C Reference with "Part name index"

PART NAME INDEX					
Part name	Address	Page	Ref.		
[A]				BOLT,	
ABSORBER , FUEL	1-E15	62	5	BOLT,	
ARMATURE COMP.	1-D11	43	7	BOLT,	
ARM COMP. , LINK JOINT	1-G6	85	18	BOLT,	
ARM COMP. , SHIFT LINK	1-G6	85	14	BOLT,	
ARM COMP. , TILT	1-F15	79	20		
ARM , FUEL PUMP ROCKER	1-C16	32	4		
ARM , REVERSE LOCK	1-F15	79	18		
ARM , SHIFT LINK	1-F11	74	7		
ARM , STOPPER	1-D1	33	12	BOLT,	
ARM , THROTTLE REMOTE	1-F11	74	6		
ARM , VALVE ROCKER	1-C16	32	3		
[B]					
BAG , TOOL , 160MM	1-G5	84	10		
BAND	1-G6	86	37		
BAND B1 , WIRE	1-F6	69	1		
BAND , CORD	1-F3	67	18	BOLT,	
BAND , TUBE CLIP , 11MM	1-E15	63	20		
BAND , TUBE CLIP , 12.5MM	1-E15	63	19	BOLT,	

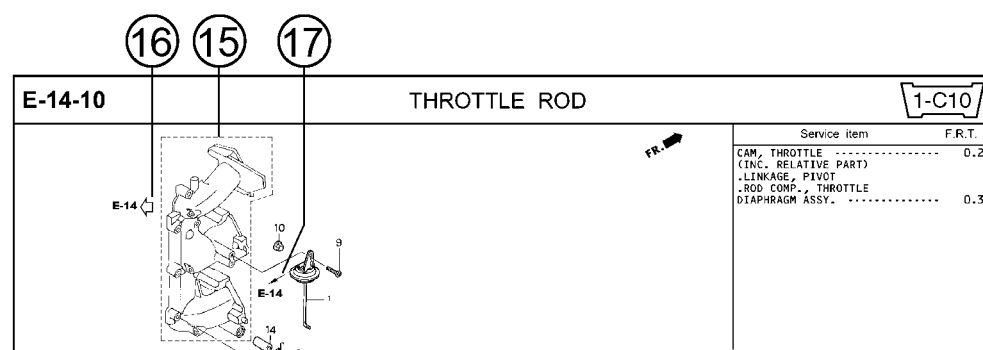
Page No.

2009.09.20 E

Part catalogue structure

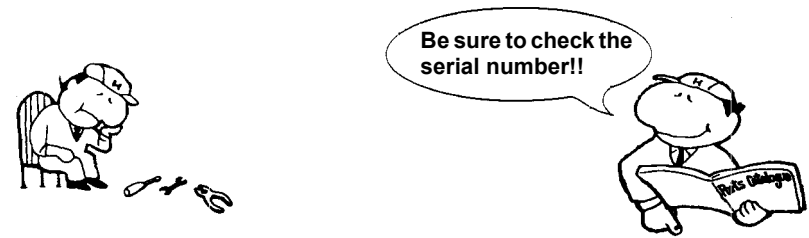


Ref. No.	Part No.	Description	Reqd. QTY						Serial No.	Parts catalogue code
			BF 9/9D1	BFP 9/9D1	BF 10D1	BFP 10D1	BF 10B1	BFP 10B1		
1	12166-ZW9-000	STOPPER, ENGINE SIDE	2	2	2	2	2	2		
2	12210-ZW9-000ZA	HEAD COMP., CYLINDER *NHS* DARK GRAY	1	1	1	1	1	1		
3	12251-ZW9-003	GASKET, CYLINDER HEAD	1	1	1	1	1	1		
4	12310-ZW9-000	COVER COMP., HEAD	1	1	1	1	1	1		
5	12312-ZW9-000	PACKING, HEAD COVER	1	1	1	1	1	1		
6	15611-921-000	CAP, OIL (NO GAUGE)	1	1	1	1	1	1		
7	16617-ZW9-000	HOLDER, CABLE	1	1	1	1	1	1	SC,SG	
	16617-ZW9-010		1	1	1	1	1	1	1001800 LHC,LHD	



- ① **Address number**
 - Address No. is provided (in place of the page No.) to help you refer to the part with the part No. or part name.
- ② **Block title** ③ **Block number**
- ④ **Service item/Flat rate time**
- ⑤ **Reference number**
 - Title number marked with the parenthesis or parentheses indicates that it continues from the previous page.
- ⑥ **Part number** ⑦ **Honda color code**
- ⑧ **Description**
- ⑨ **Assemblies**
 - Sections framed with broken lines in the exploded view drawings are available as complete assemblies. (Their individual parts can also be obtained.)
- ⑩ **Color description**
- ⑪ **Note**
 - Notes are shown with the parentheses in the part name column.
- ⑫ **Required quantity**
 - Required QTY shown in the parenthesis or parentheses indicates the optional part.
 - Required QTY marked with "N" Indicates the optional part that should be selected as needed.
 - Required QTY indicates the number of the part used in the block.
- ⑬ **Serial number**
- ⑭ **Type**
 - When the type column is blank, it indicates that the part is applicable to all types.
 - As the type of the actual unit may differ from the "parts catalogue, type" please refer to "Models, types and applicable serial numbers" for confirmation.
- ⑮
 - Parts enclosed within a dotted line are covered in a different block.
- ⑯
 - A hollow arrow indicates the block No. for the parts enclosed within a dotted line .
- ⑰
 - A solid arrow indicates the block No. the part in question is connected to.

When the parts were revised



Ref. No.	Part No.	Description	Reqd. QTY						Serial No.
			BF 99D1	BFP 9.9D1	BF 10D1	BFP 10D1	BF 10B1	BFP 10B1	
1	12166-ZW9-000	STOPPER, ENGINE SIDE	2	2	2	2	2	2	
2	12210-ZW9-000ZA	HEAD COMP., CYLINDER *NHS* DARK GRAY	1	1	1	1	1	1	
3	12251-ZW9-003	GASKET, CYLINDER HEAD	1	1	1	1	1	1	
4	12310-ZW9-000	COVER COMP., HEAD	1	1	1	1	1	1	
5	12312-ZW9-000	PACKING, HEAD COVER	1	1	1	1	1	1	
6	15611-921-000	CAP, OIL (NO GAUGE)	1	1	1	1	1	1	
7	16617-ZW9-000	HOLDER, CABLE (###)	1	1	1	1	1	1	SC, SG LHC, LHD LHC, LHD
	16617-ZW9-010	1	1	1	1	1	1	

The number has been used from the initial model without revision.

When shown at the left side, it is applicable to the models of No.1001801 and the subsequent numbers.

When shown at the right side, it is applicable to the models up to No.1001800.

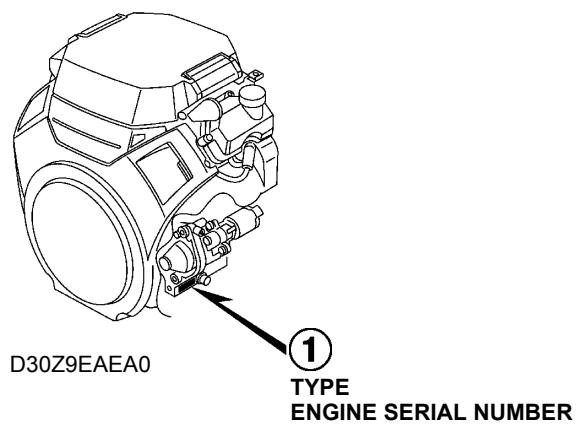
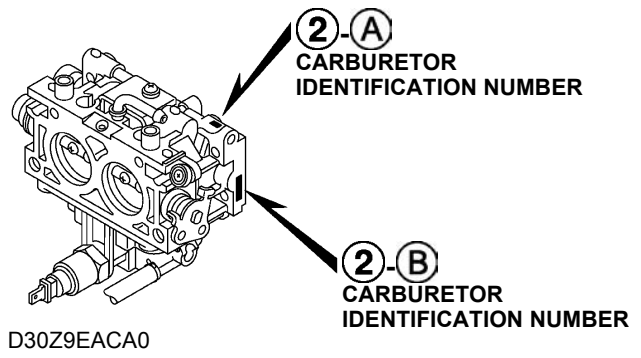
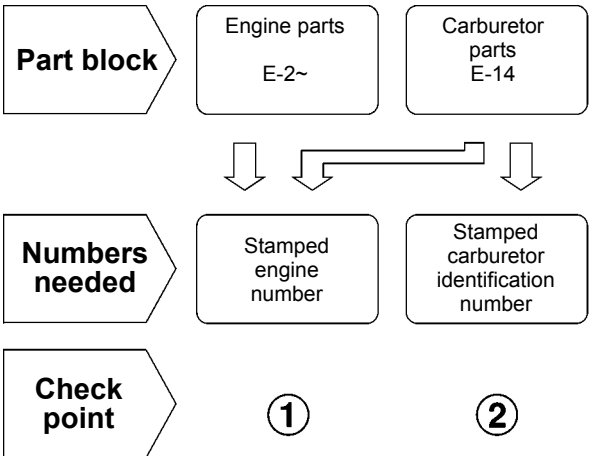
• The parts listed with "###" at the end of the parts name have limited supply period (parts not for sale).

Abbreviations used in the parts catalogue

• The following abbreviations are used in the parts name column.

- A Ampere
- A.C. Alternating current
- ASSY. Assembly
- AT. Automatic transmission
- C.D.I. Capacitive discharge ignition
- COMP. ... Complete
- D.C. Direct current
- EX. Exhaust
- G.F.C.I ... Ground fault circuit interruptor
- HEX. Hexagonal
- H.S.T. Hydrostatic transmission
- FR.Front
- IN.Inlet
- L (100L) .Link (100 Links)
- L.Left
- MMMillimeter
- MT.Manual Transmission
- P.T.O.Power take off
- R.Right
- RR.Rear
- STD.Standard
- T (22T) ...Tooth (22 Teeth)
- VVolt
- WWatt

How to check the part block and serial numbers



Models, parts catalogue codes and applicable serial numbers

- Models, parts catalogue codes and applicable serial Nos. given in this parts catalogue can be identified as follows.

Model	Type	Parts catalogue type	Applicable engine serial No.	Applicable carburetor identification No.	Model	Type	Parts catalogue type	Applicable engine serial No.	Applicable carburetor identification No.
GX630R	QAB	QAB	GCBEK-1000001~	BK07A A	GX630R	QZA5	QZA5	GCBEK-1000001~	BK07A A
	QAF	QAF				QZB	QZB		
	QAF1	QAF1				QZB2	QZB2		
	QAF3	QAF3				QZB3	QZB3		
	QDF	QDF				QZE	QZE		
	QDF2	QDF2				QZE3	QZE3		
	QDW	QDW				QZE4	QZE4		
	QWF2	QWF2				QZF8	QZF8		
	QXA	QXA		VAF6		VAF6			
	QXB1	QXB1		VD		VD			
	QXC2	QXC2		VDB2		VDB2			
	QXF	QXF		VDC2		VDC2			
	QXF4	QXF4		VEP4		VEP4			
	QXF5	QXF5		VXA1		VXA1			
	QXF6	QXF6		VXD		VXD			
	QYD	QYD		VXD4		VXD4			
QYF	QYF	VXD8	VXD8						
QZA	QZA	VXE1	VXE1	BK07L A					
				BK07A A					
				BK07L A					
				BK07G A					
				BK07A A					

Model	Type	Parts catalogue type	Applicable engine serial No.	Applicable carburetor identification No.	Model	Type	Parts catalogue type	Applicable engine serial No.	Applicable carburetor identification No.				
GX630R	VXE2	VXE2	GCBEK-1000001~	BK07L A	GX660R	VXE1	VXE1	GCBFK-1000001~	BK06A A				
	VXE8	VXE8		BK07A A		VXE2	VXE2		BK06E A				
	VXF	VXF				VXE4	VXE4		GX690R	BAF	BAF	GCBGK-1000001~	BK05A A
	VXF4	VXF4		BK07L A	BDW	BDW	BDW	BDW					
	VXP2	VXP2			BAF	BAF	BXF	BXF					
	VZA	VZA			BDW	BDW	BXF5	BXF5					
	VZA2	VZA2			TAF	TAF	TXA2	TXA2					
GX660R	BAF	BAF	GCBFK-1000001~		BK06A A	TXF	TXF	TXF		TXF	TXF		
	BDW	BDW				TXF4	TXF4	TXF4		TXF4			
	BXF	BXF		TXF5		TXF5	TXF5	TXF5					
	BXF5	BXF5		TXF7		TXF7	TXF7	TXF7					
	TAF	TAF		TXF9		TXF9	TXF9	TXF9					
	TDW	TDW		VXE1		VXE1	VXE1	VXE1					
	TXA2	TXA2		VXE2		VXE2	VXE2	VXE2					
	TXF	TXF		VXE4		VXE4	VXE4	VXE4					
	TXF4	TXF4											
	TXF5	TXF5											
	TXF7	TXF7											
TXF9	TXF9												
									BK05D A				

* Of carburetor identification numbers, only the portions underlined in the example below are used for registration.

BK 07A A KC ナ
 (A) (B)

1

Features of each type

• See the following table for the features of each type. (Items in brackets are optional)

Specifications		Model	GX630R														
		Type	QAB	QAF	QAF1	QAF3	QDF	QDF2	QDW	QWF2	QXA	QXB1	QXC2	QXF	QXF4	QXF5	QXF6
Crankshaft	25.4 mm Ø Straight (L=138)		●	●	●	●	●	●	●	●	●	●	●	●	●	●	●
	28.575 mm Ø Straight (L=162)																
	36.5 mm Ø Straight (L=175.2)																
	5/16" Tapered																
	7/16" Tapered																
	M10 Tapered																
Muffler	Side mount																
	High-R		(●)	(●)	(●)	(●)	(●)	(●)	(●)	(●)	(●)	(●)	(●)	(●)	(●)	(●)	(●)
	High-L		(●)	(●)	(●)	(●)	(●)	(●)	(●)	(●)	(●)	(●)	(●)	(●)	(●)	(●)	(●)
Spark arrester			(●)	(●)	(●)	(●)	(●)	(●)	(●)	(●)	(●)	(●)	(●)	(●)	(●)	(●)	(●)
Control box					●		●				●		●	●	●	●	●

Specifications		Model	GX630R														
		Type	QYD	QYF	QZA	QZA5	QZB	QZB2	QZB3	QZE	QZE3	QZE4	QZF8	VAF6	VD	VDB2	VDC2
Crankshaft	25.4 mm Ø Straight (L=138)		●	●	●	●	●	●	●	●	●	●	●				
	28.575 mm Ø Straight (L=162)																
	36.5 mm Ø Straight (L=175.2)																
	5/16" Tapered													●		●	
	7/16" Tapered																●
	M10 Tapered														●		
Muffler	Side mount					●											
	High-R		(●)	(●)	(●)	(●)		(●)	(●)	(●)	(●)	(●)	(●)			(●)	(●)
	High-L		(●)	(●)	(●)	(●)		(●)	(●)	(●)	(●)	(●)	(●)	●		(●)	(●)
Spark arrester			(●)	(●)	(●)	(●)		(●)	(●)	(●)	(●)	(●)	(●)			(●)	(●)
Control box					●	●	●	●	●	●	●	●	●				

Specifications		Model	GX630R												
		Type	VEP4	VXA1	VXD	VXD4	VXD8	VXE1	VXE2	VXE8	VXF	VXF4	VXP2	VZA	VZA2
Crankshaft	25.4 mm Ø Straight (L=138)														
	28.575 mm Ø Straight (L=162)														
	36.5 mm Ø Straight (L=175.2)														
	5/16" Tapered	●	●		●	●	●	●	●	●	●	●	●	●	●
	7/16" Tapered														
	M10 Tapered			●											
Muffler	Side mount														
	High-R	(●)	(●)		(●)	(●)	(●)	(●)	(●)	(●)	(●)	(●)	(●)	(●)	(●)
	High-L	(●)	(●)	●	(●)	(●)	(●)	(●)	(●)	(●)	(●)	(●)	(●)	(●)	(●)
Spark arrester		(●)	(●)		(●)	(●)	(●)	(●)	(●)	(●)	(●)	(●)	(●)	(●)	(●)
Control box		●	●		●	●	●	●		●			●	●	

Specifications		Model	GX660R														
		Type	BAF	BDW	BXF	BXF5	TAF	TDW	TXA2	TXF	TXF4	TXF5	TXF7	TXF9	VXE1	VXE2	VXE4
Crankshaft	25.4 mm Ø Straight (L=138)																
	28.575 mm Ø Straight (L=162)					●	●	●	●	●	●	●	●				
	36.5 mm Ø Straight (L=175.2)	●	●	●	●												
	5/16" Tapered													●	●	●	
	7/16" Tapered																
	M10 Tapered																
Muffler	Side mount																
	High-R	(●)	(●)	(●)	(●)	(●)	(●)	(●)	(●)	(●)	(●)	(●)	(●)	(●)	(●)	(●)	(●)
	High-L	(●)	(●)	(●)	(●)	(●)	(●)	(●)	(●)	(●)	(●)	(●)	(●)	(●)	(●)	(●)	(●)
Spark arrester		(●)	(●)	(●)	(●)	(●)	(●)	(●)	(●)	(●)	(●)	(●)	(●)	(●)	(●)	(●)	(●)
Control box		●		●	●	●		●	●	●	●	●		●	●	●	

1

Specifications		Model	GX690R														
		Type	BAF	BDW	BXF	BXF5	TAF	TDW	TXA2	TXF	TXF4	TXF5	TXF7	TXF9	VXE1	VXE2	VXE4
Crankshaft	25.4 mm Ø Straight (L=138)																
	28.575 mm Ø Straight (L=162)					●	●	●	●	●	●	●	●				
	36.5 mm Ø Straight (L=175.2)	●	●	●	●												
	5/16" Tapered													●	●	●	
	7/16" Tapered																
	M10 Tapered																
Muffler	Side mount																
	High-R	(●)	(●)	(●)	(●)	(●)	(●)	(●)	(●)	(●)	(●)	(●)	(●)	(●)	(●)	(●)	(●)
	High-L	(●)	(●)	(●)	(●)	(●)	(●)	(●)	(●)	(●)	(●)	(●)	(●)	(●)	(●)	(●)	(●)
Spark arrester		(●)	(●)	(●)	(●)	(●)	(●)	(●)	(●)	(●)	(●)	(●)	(●)	(●)	(●)	(●)	(●)
Control box		●		●	●	●		●	●	●	●	●		●	●	●	

Fuel hose, general purpose hoses and vinyl hose

- The standard part fuel hose, general purpose hose and vinyl hose may be substituted by the coiled bulk part.
- When ordering the standard part fuel hose, general purpose hose and vinyl hose use the bulk part number written in the parts catalog in brackets () underneath the part name.
- When exchanging the hose, cut and use at the specified length as mentioned in the part name.
(For the method of cutting the bulk part, and method of filling out orders etc., please refer to the instructions issued with the bulk part.)

Bulk part number of fuel hose, general purpose hose and vinyl hose.

Example: 9 5 0 0 1 - 7 5 0 0 1 - 5 0 M

Bulk part number:
Refers to the bulk part.

Marking code (fuel hose and general purpose hose)

Change code (Vinyl hose)

Indicates number mark or change sequence, however, the code for the bulk part must be strictly 0 (zero).

Types of code:

- Fuel hose
 - 2: Red outside braid (3 mm inside dia. only)
 - 5: Black inside braid
 - 3: Red (3 mm inside dia. only)
 - 4: Ash gray with red stripe (3 mm inside dia. only)
 - 6: Black

- General hose
 - 1: Ash gray
 - 2: Ash gray
 - 3: Black
 - 5: Black

- Vinyl hose
 - 1: Clear
 - 2: Black
 - 3: Light red
 - 6: Light red
 - 7: Pale black

Lengths:

- 001: 1 m (standard)
 - 003: 3 m
 - 008: 8 m
- Application or specification of some parts is not settled.

I.D code: (fuel hose and general purpose hose)

- | | | | | |
|------------|--------------------|--------------------|-----------------------------|-----------------------------|
| 30: 3.0 mm | 50: 5.0 mm | 70: 7.0 mm | 11: 11 mm | 12: 12 (outside dia. 17) mm |
| 35: 3.5 mm | 55: 5.3 mm, 5.5 mm | 75: 7.3 mm, 7.5 mm | 91: 12 (outside dia. 15) mm | 14: 14 mm |
| 45: 4.5 mm | 65: 6.5 mm | 80: 8.0 mm | 92: 12 (outside dia. 16) mm | 17: 17 mm |

ID./OD. code: (vinyl hose)

- | | | | | |
|-------------------------|--------------------------|---------------------------|---------------------------|---------------------------|
| 01: ID. 2.9, OD. 6.8 mm | 12: ID. 5.0, OD. 7.0 mm | 21: ID. 8.0, OD. 9.0 mm | 37: ID. 11.0, OD. 15.0 mm | 50: ID. 16.0, OD. 19.0 mm |
| 03: ID. 3.0, OD. 6.0 mm | 10: ID. 5.0, OD. 8.0 mm | 23: ID. 8.0, OD. 12.0 mm | 38: ID. 12.0, OD. 13.0 mm | 55: ID. 17.5, OD. 20.5 mm |
| 05: ID. 3.5, OD. 6.5 mm | 11: ID. 5.0, OD. 9.0 mm | 25: ID. 9.0, OD. 11.0 mm | 39: ID. 12.0, OD. 14.0 mm | 60: ID. 22.0, OD. 27.0 mm |
| 07: ID. 4.0, OD. 7.0 mm | 14: ID. 6.0, OD. 9.0 mm | 27: ID. 9.0, OD. 13.0 mm | 40: ID. 12.0, OD. 16.0 mm | |
| 08: ID. 4.5, OD. 6.5 mm | 17: ID. 7.0, OD. 9.0 mm | 33: ID. 10.0, OD. 14.0 mm | 43: ID. 13.0, OD. 15.0 mm | |
| 09: ID. 4.5, OD. 8.0 mm | 19: ID. 7.0, OD. 11.0 mm | 36: ID. 11.0, OD. 13.0 mm | 45: ID. 14.0, OD. 18.0 mm | |

Hose type:

- 1: Fuel hose
- 3: Vinyl hose
- 5: General hose

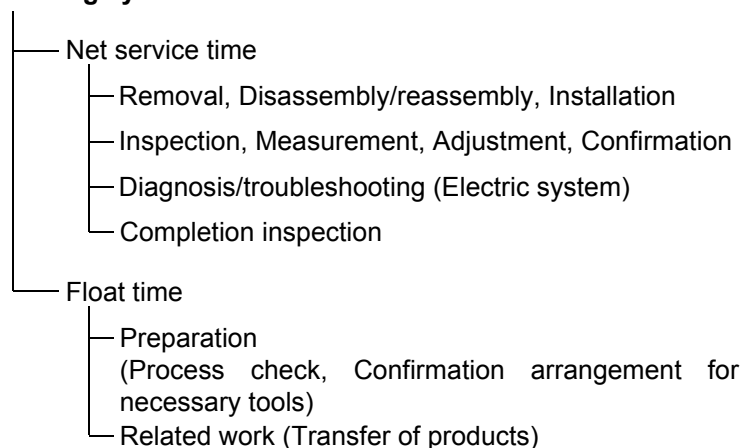
⊙ **CAUTION: It is DANGEROUS to confuse the fuel hose with the general purpose hose or vinyl hose.**

Never use a general purpose hose or vinyl hose in place of a fuel hose or vice versa. Always use the correct bulk part in the parts catalogue, according to the service manual or the instructions issued with the bulk part.

FLAT RATE SERVICE TIME

Flat rate service time (FRT) means the standard time required to service a product, which is listed in this manual to help the dealers control the actual working process and calculate the service charge by using it as a guide.

FRT setting system



* Float time is set by multiplying the net service time by a given coefficient.

Editorial style

The service items shown in the text are listed with the exchange work time for the repair sales parts as the subject. Other representative service items not using repair parts (removal/installation, adjustment, inspection/measuring, and other work) are listed collectively in the list in the preface, classified according to the work.

FRT setting standard

- Decimal system (in unit of 0.1) is adopted to set FRT as it is convenient to calculate the wage.
Example: (0.1) → 6 minutes, (0.2) → 12 minutes
[Labor cost per hour] x [FRT] = [Wage]
- FRT is set with a hand tool.
- Service items and FRT can be subject to change depending on development of tools and service equipment and improvement in service procedure.

Work procedure

- As the work procedure is set with the work time according to the method in the separate Service Manual, refer to this Manual as required.
- Work methods permitting servicing in the shortest time still permitting assurance of safe work and product warranty are used for the setting of service items not listed in the Service Manual.
- Work basically is to be performed by one person, and when two or more people are required, setting is done as the total time for the number of people.
- The set value for the technological level of the workers uses a person with three years of experience in the repair of Honda products as the standard.
- Special tools and service equipment used to set FRT are those specified or recommended in Service Manual.

Service item whose FRT is not presented

- Accessories and service parts that are not listed to use in this manual.
 - Locations with little aging deterioration or breakage during normal use.
 - Service work that can be finished by one touch.
 - Service work that is seldom done (i.e. extremely small causes of trouble and service frequency).
 - Products and parts whose location for installation differs according to its status of use and application.
- * When FRT is not presented, please calculate wages based on appropriate actual work time.

Operation not included of FRT

- Oil and coolant water draining, Waiting time for warming up operation and etc..
- Additional operation that involves removal/installation of standard exterior equipment.
- Indirect time spent for service by visiting the customer, trade-in, and delivery.
- Indirect time required for ordering and delivery of parts.
- Cost for grease, adhesive agent, etc. used for service work.

**Explanation of FRT by using an example
(The example may differ from the actual presented items)**

Ref. No.	L.O.N.	(Relative ref. Number) Description	F.R.T.
①	1111L1	④ (1, 3, 4, 7) VALVE, INTAKE4.1	②
②		• NOTE: OHV type ⑥	⑦
③	1111L1A	• Includes: Engine removal and installation	
		One head (intake all) add1.4 ⑤	

- ① Reference No. of the illustration of part that shows location of the replacement work.
- ② FRT is an abbreviation of Flat Rate Time indicating the standard service time required for the replacement.
- ③ LON is an abbreviation of Labor Operation Number, and it is a classification of the service items by the work unit code.

The same operation code is used regardless of the models.

Standard operation is indicated with 6 digits code, and additional operation is indicated with 7 digits code.

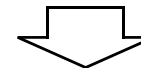
- ④ Indicating the intake valve replacement and FRT4.1.
- ⑤ Indicating FRT1.4 that will be added when additional operation (whole intake side of one cylinder head) is done in association with intake valve replacement.

- ⑥ Indicating work condition or application condition of the service item.
- ⑦ Indicating work contents that are included in the service item.
- ⑧ Indicating a reference No. whose operation and time are the same as FRT4.1 for the intake valve.

(The application range is limited to the service items without an LON setting within a same block.)

**How to refer to the service item by using the sample
(intake valve replacement)**

Open to the page of the block where the intake valve's spare part illustration is shown.



Look for the intake valve illustration, and refer to the service item and FRT that agree with the reference No.

Indication mark for the listing of service items that continues to the following page

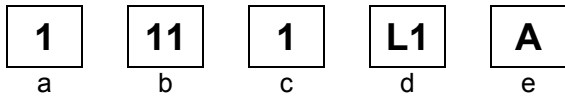
Ref. No.	L.O.N.	(Relative ref. Number) Description	F.R.T.
2	1111L1	VALVE, INTAKE	4.1
	.	.	.
	.	.	.

+
Mark indicated at the last line.

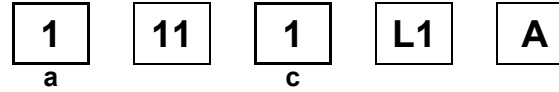
Indication of the block with no setting of FRT

Ref. No.	L.O.N.	(Relative ref. Number) Description	F.R.T.
NO INFORMATION			

• LON code system



- a) Category code..... Engine
- b) Location/function code..... Engine upper
- c) Operation code..... Replace
- d) Operation sequence number (Unit code can be shown with alphabet)
..... Intake valve
(No regular rule of code)
- e) Additional code One head (intake all)
(No regular rule of code)



a) Category codes and classification

Code	Category
1	Engine
2	Power drive
3	Fuel & Exhaust
4	Frame & Body
5	Steering
6	Electrical
7	Axle & Brake
8	Control system
9	-
0	Attachments

c) Operation codes and classification

Code	Operation category
1	Replace, Removal/Installation, Change
2	Overhaul
3	Adjust, Rotation
4	(Paint-related work: Top-coat)
5	Test, Inspect/diagnose, Measurement
6	(Overhaul-related work: Rebore)
7	(Overhaul-related work: Reseal)
8	(Resurface)
9	(Paint-related work: Refinish)
0	Repair, Cleaning, Air bleeding

Major service items without using spare parts

- (1) Removal/Installation, (2) Adjustment,
(3) Inspection/Measurement, (4) Overhaul, (5) Other work

E: Engine, T: Transmission, D: Drive system,
B: Body and related parts

(1) Removal/Installation

Set with the parts configuration in the status of being removed from the product.

	LON	DESCRIPTION	FRT
E		CYLINDER HEAD ASSEMBLY-REMOVAL/INSTALLATION	
	1111N0	LEFT	1.4
	1111N1	RIGHT	1.4
	1111N2	BOTH	1.9

(2) Adjustment

	LON	DESCRIPTION	FRT
E	1113A1	VALVE CLEARANCE-ADJUSTMENT NOTE: For 1 product	0.5
	1163A0	CONTROL, THROTTLE/GOVERNOR-ADJUSTMENT	0.2
	3113A2	CARBURETOR IDLE-ADJUSTMENT	0.2

(3) Inspection, Measurement, Cleaning

	LON	DESCRIPTION	FRT
E	1105A0	ENGINE OIL-INSPECTION	0.1
	1115A0	CYLINDER COMPRESSION-TEST NOTE: All cylinders	0.4
	1135A0	ENGINE OIL PRESSURE-TEST	0.3
	3115A2	CARBURETOR FLOAT LEVEL-MEASUREMENT	0.6
	3120A0	AIR CLEANER-CLEANING INCLUDES: Air cleaner-inspection	0.2
	3130A0	SPARK ARRESTER-CLEANING INCLUDES: Spark arrester-inspection	0.2
	6140A0	SPARK PLUG-ADJUSTMENT/CLEANING INCLUDES: Spark plug check NOTE: For 1 product	0.2

(4) Overhaul

Work condition: The required Measurements, inspections, adjustments, and cleaning/washing of each part are performed, including the main body removal/installation work and the replacement of defective parts.

	LON	DESCRIPTION	FRT
E	3112A0	CARBURETOR-OVERHAUL INCLUDES: All necessary adjustment	1.0

(5) Other work

	LON	DESCRIPTION	FRT
E	1101E1	ENGINE OIL-CHANGE INCLUDES: Engine oil-inspection	0.1

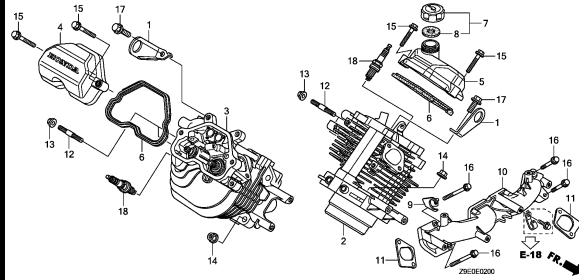
ENGINE GROUP

C 1

E-2

CYLINDER HEAD

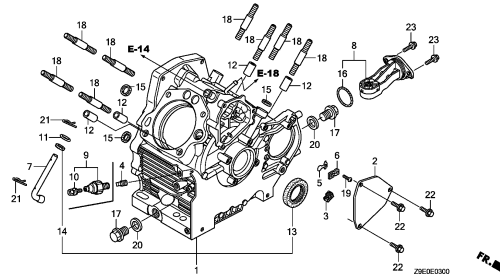
D 1



E-3

CRANKCASE

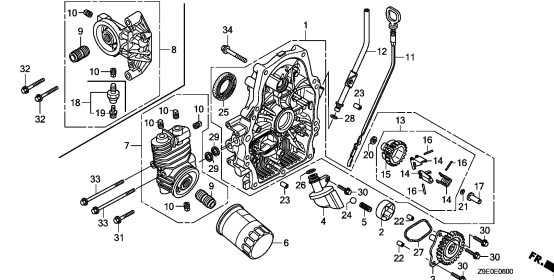
D 3



E-6

CRANKCASE COVER

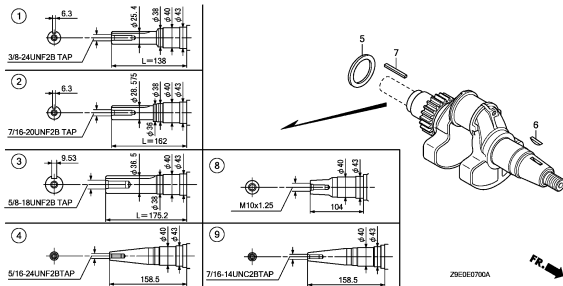
D 5



E-7

CRANKSHAFT

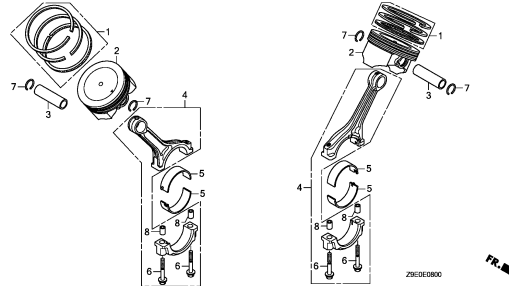
D 7



E-8

PISTON

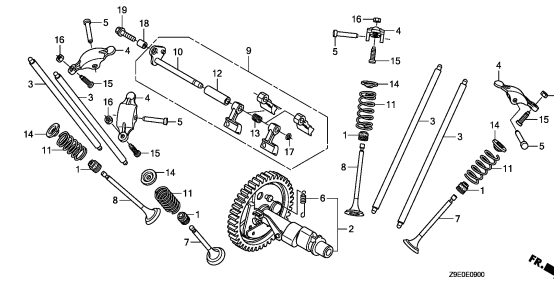
D 8



E-9

CAMSHAFT

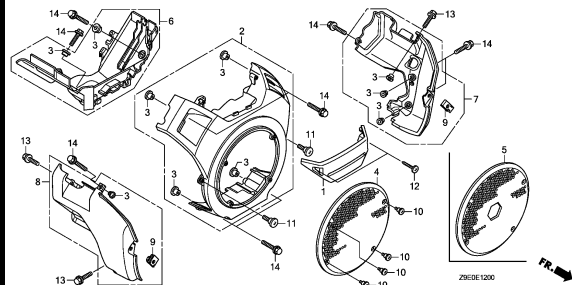
D 9



E-12

FAN COVER

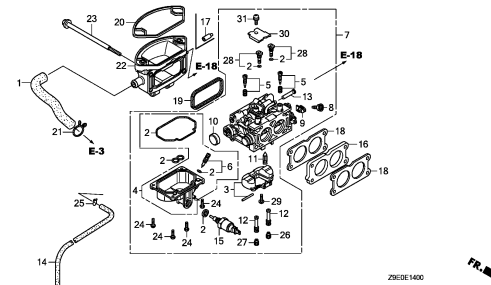
D14



E-14

CARBURETOR

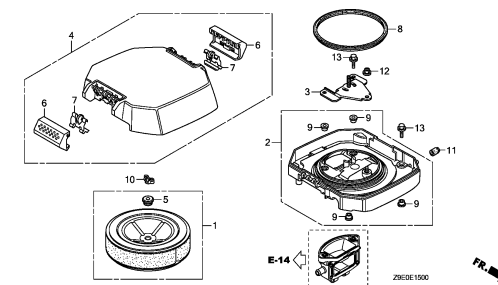
D15



E-15

AIR CLEANER

E 1



2

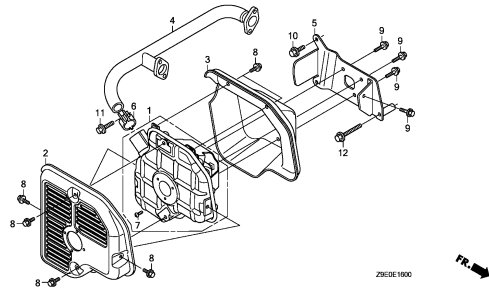
ENGINE GROUP

C 2

E-16

MUFFLER(SIDE MOUNT)

E 2

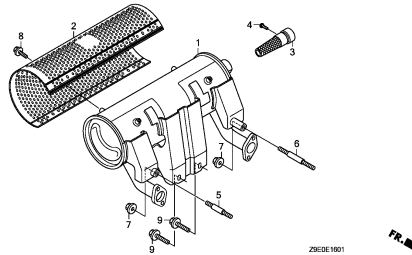


ZB6DE1900

E-16-1

MUFFLER(HIGH-L)

E 3

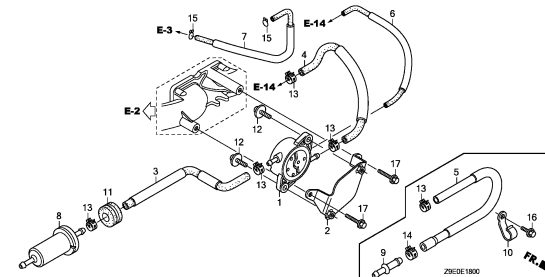


ZB6DE1901

E-18

FUEL PUMP

E 4

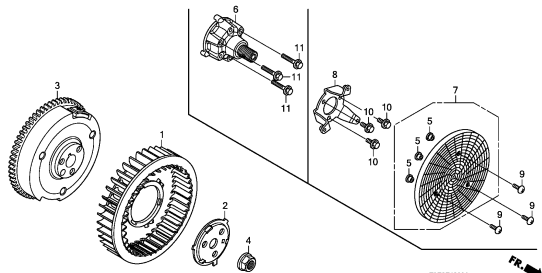


ZB6DE1900

E-19

FLYWHEEL

E 6

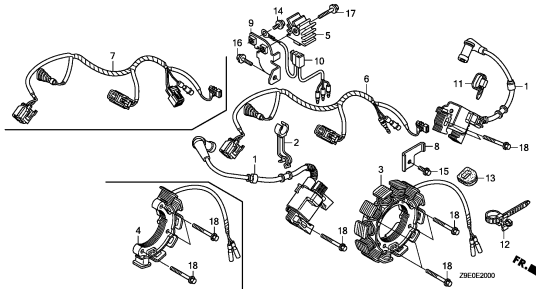


ZB6DE1900A

E-20

IGNITION COIL

E 7

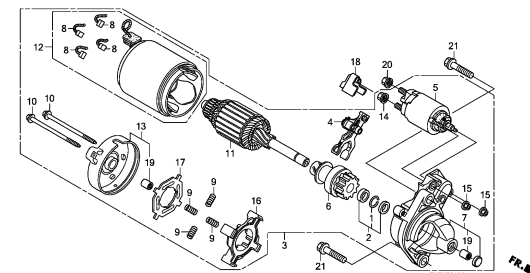


ZB6DE2000

E-21

STARTER MOTOR

E 9

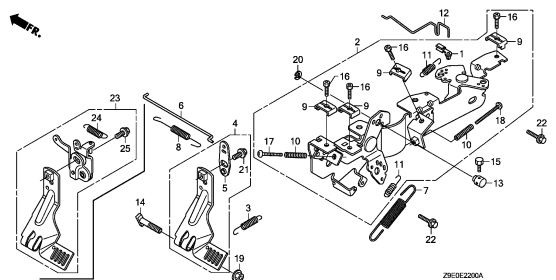


ZB6DE2100

E-22

CONTROL

E10

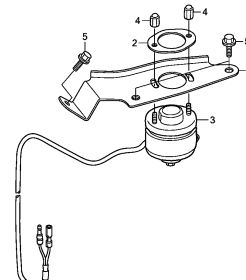


ZB6DE2200A

E-22-20

AUTO THROTTLE

E12

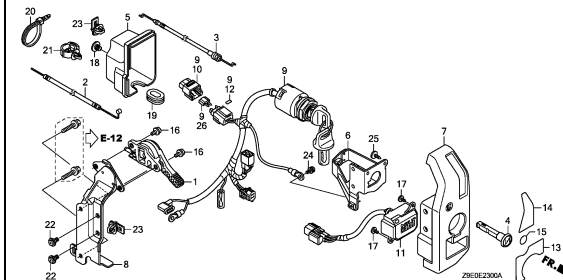


ZB6DE2200

E-23

CONTROL BOX

E13



ZB6DE2300A

2

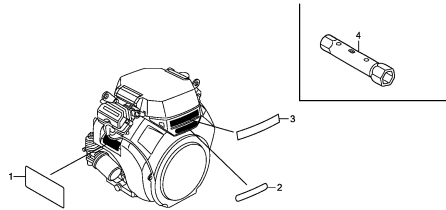
ENGINE GROUP

C 3

E-28

LABEL/TOOL

E15

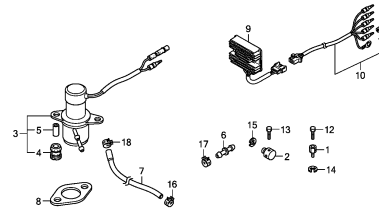


Z60E2800

E-40

OTHER PARTS(FUEL PUMP)(REGULATOR RECTIFIER)

E16

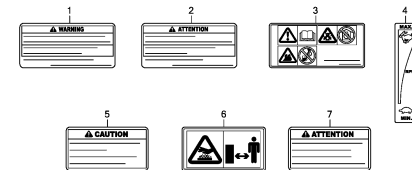


Z60E4000A

E-40-1

OTHER PARTS(LABEL)

F 2

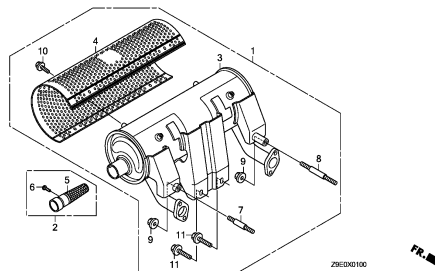


Z60E4001

EOP-1

MUFFLER KIT(HIGH-R)

F 3



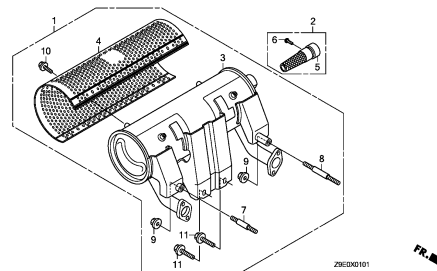
Z60E0100

FR. →

EOP-1-1

MUFFLER KIT(HIGH-L)

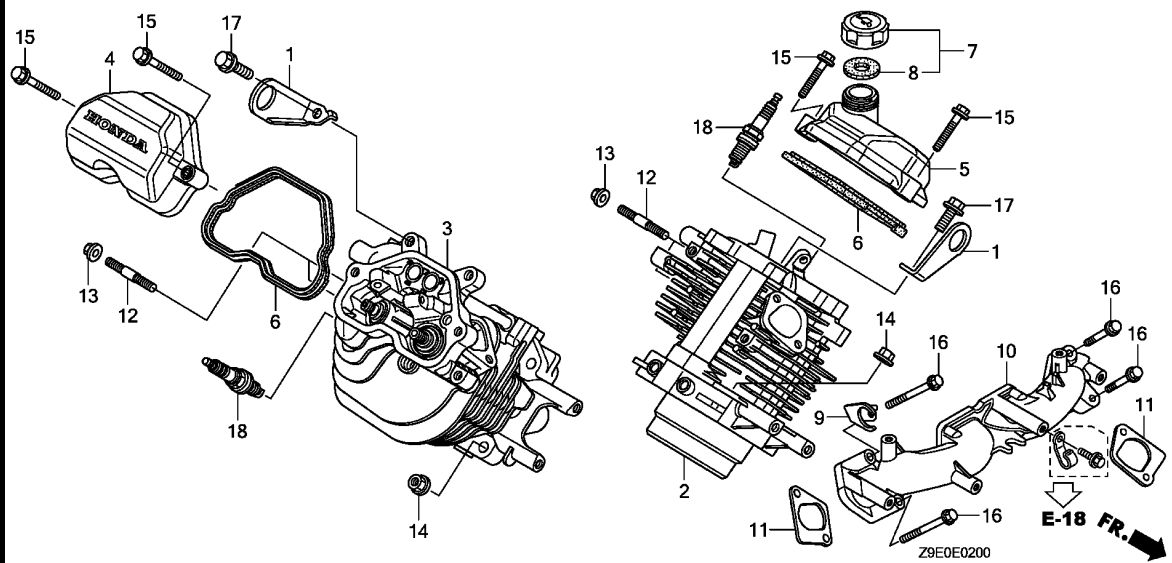
F 5



Z60E0101

FR. →

2



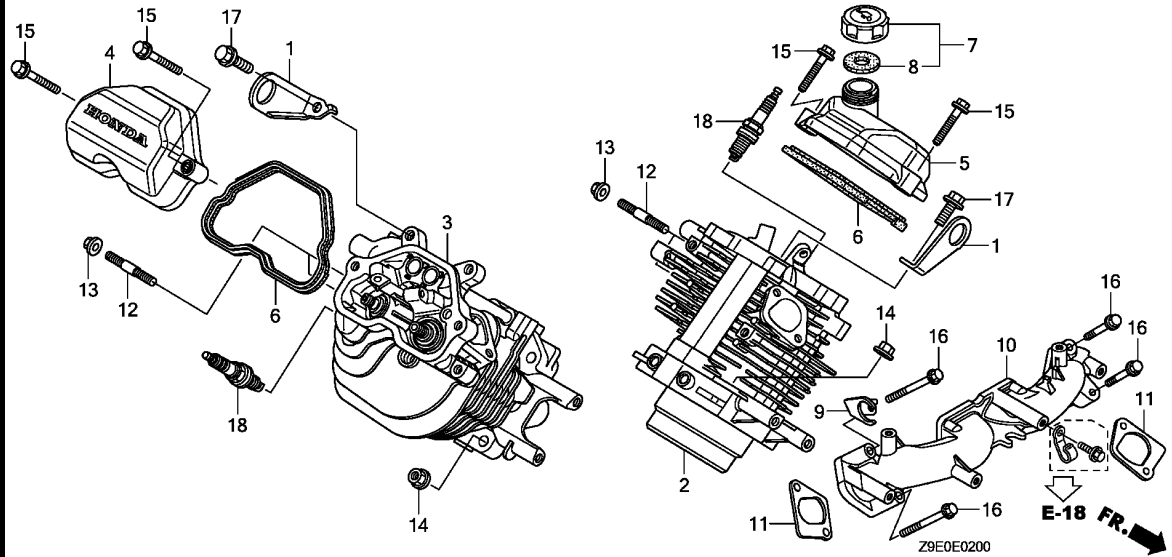
Ref. No.	L.O.N.	(Relative ref. Number) Description	F.R.T.
2	1111F2	HEAD, CYLINDER :LEFT BANKINCLUDES: Valve clearance adjustment and reface	2.1
	1111L4	HEAD, CYLINDER :BOTH BANKSINCLUDES: Valve clearance adjustment and reface	3.3
3	1111F3	HEAD, CYLINDER :RIGHT BANKINCLUDES: Valve clearance adjustment and reface	2.1
	1111L4	HEAD, CYLINDER :BOTH BANKSINCLUDES: Valve clearance adjustment and reface	3.3
4	1111D4	COVER, CYLINDER HEAD AND/OR PACKING, HEAD COVER :RIGHT ..	0.2
	1111L5	COVER, CYLINDER HEAD AND/OR PACKING, HEAD COVER :BOTH ...	0.3
5	1111D3	COVER, CYLINDER HEAD AND/OR PACKING, HEAD COVER :LEFT ...	0.2
	1111L5	COVER, CYLINDER HEAD AND/OR PACKING, HEAD COVER :BOTH ...	0.3
10	3111C4	MANIFOLD, INTAKE	0.7
11	3111M6	PACKING, INTAKE MANIFOLD :LEFT	0.7
+ .NOTE: Same time for two units			

Ref. No.	Part No.	Description	Reqd. QTY			Serial No.	Parts catalogue code
			GX 630R	GX 660R	GX 690R		
1	11911-Z6L-000	HANGER, ENGINE	2	2	2		
2	12110-Z6L-000	HEAD COMP., CYLINDER (#1) ...	1	1	1		
3	12120-Z6L-000	HEAD COMP., CYLINDER (#2) ...	1	1	1		
4	12311-Z6L-000	COVER, CYLINDER HEAD	1	1	1		
5	12311-Z6L-800	COVER, CYLINDER HEAD	1	1	1		
6	12312-Z6L-000	PACKING, HEAD COVER	2	2	2		
7	15600-Z6L-000	CAP ASSY., OIL FILLER	1	1	1		
8	15625-Z6L-000	PACKING, OIL FILLER CAP	1	1	1		
9	16722-Z6L-000	STAY, FUEL TUBE GROMMET	1	1	1		
10	17101-Z6L-000	MANIFOLD, INTAKE	1	1	1		
11	17151-Z6L-000	PACKING, INTAKE MANIFOLD	2	2	2		
12	92900-08022-0E	BOLT, STUD, 8X22	4	4	4		
13	94050-08000	NUT, FLANGE, 8MM	4	4	4		
14	94050-10000	NUT, FLANGE, 10MM	8	8	8		
15	95701-06030-00	BOLT, FLANGE, 6X30	4	4	4		
16	95701-06050-00	BOLT, FLANGE, 6X50	4	4	4		
17	95701-08016-00	BOLT, FLANGE, 8X16	2	2	2		
18	98079-5587G	PLUG, SPARK (ZFR5F)	2	2	2		

E-2

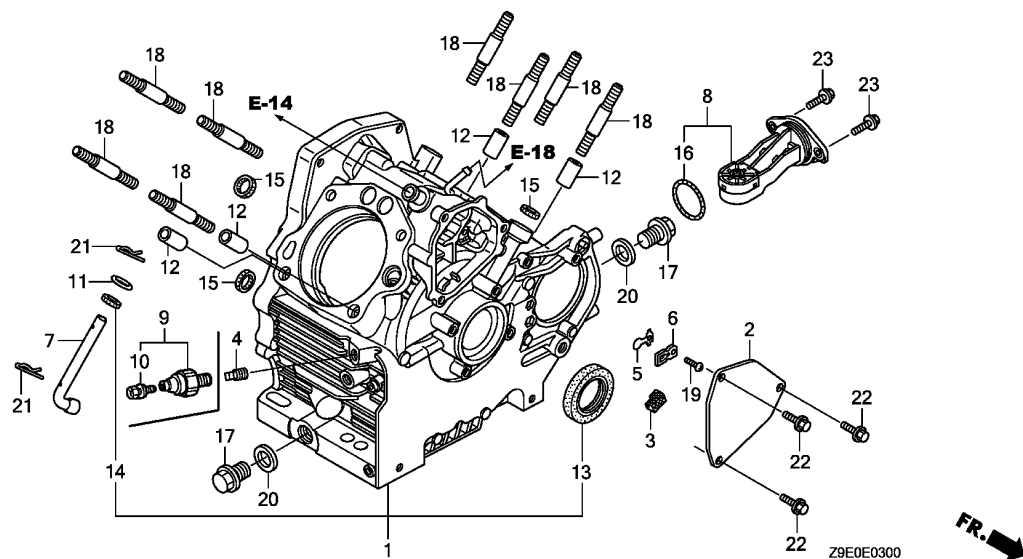
CYLINDER HEAD

D 2



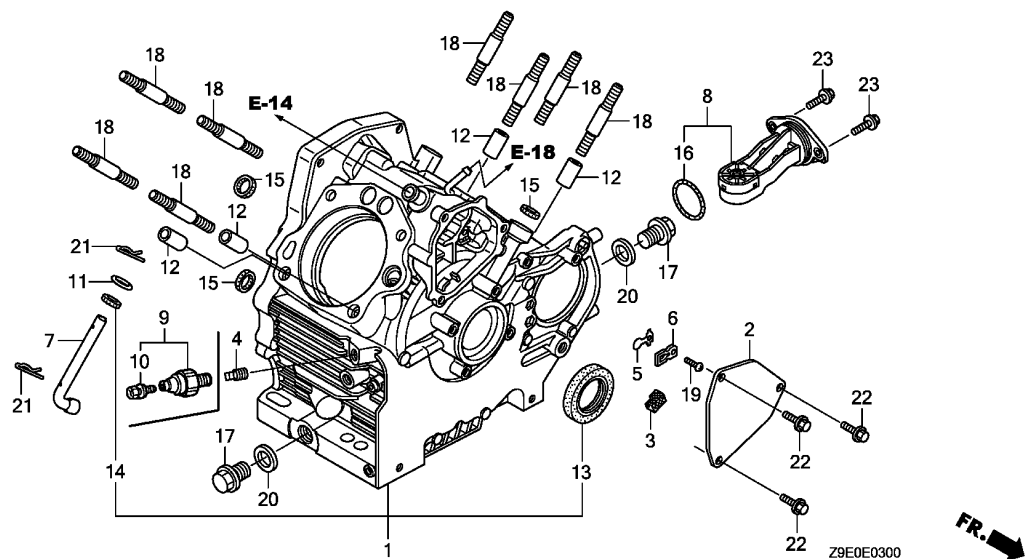
Ref. No.	L.O.N.	(Relative ref. Number) Description	F.R.T.
+11	3111M7	PACKING, INTAKE MANIFOLD :RIGHT	0.7
18	6141E6	PLUG, SPARK :LEFT BANK	0.1
	6141E7	PLUG, SPARK :RIGHT BANK	0.1
	6141E8	PLUG, SPARK :BOTH BANKS	0.2
		.INCLUDES: Spark plug check	
		.INCLUDES: All spark plug check	

2



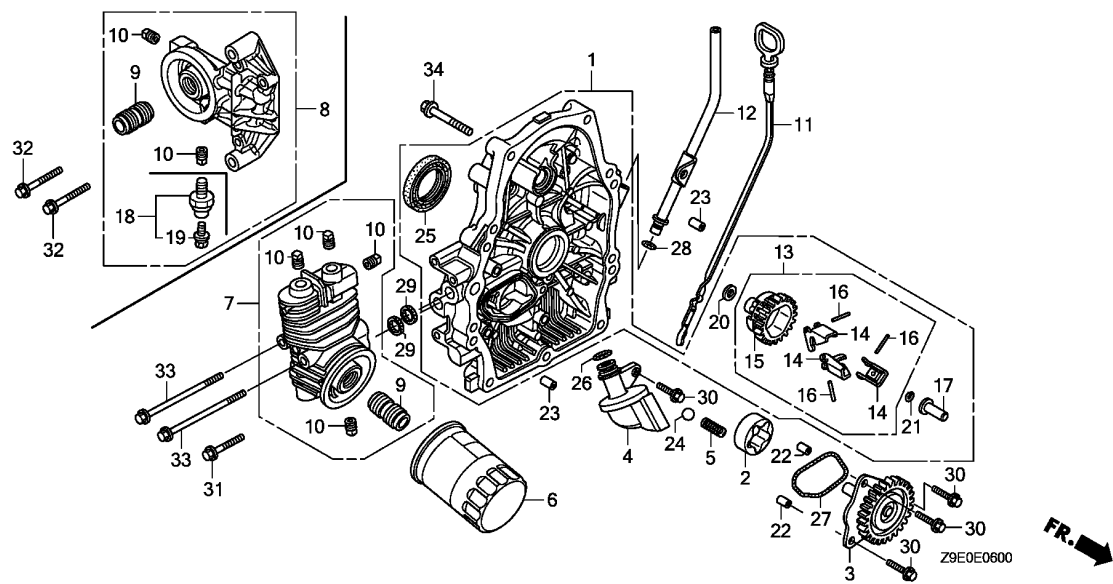
Ref. No.	L.O.N.	(Relative ref. Number) Description	F.R.T.
1	1101B7	CRANKCASE	3.9
3		(2)	
3	1111E5	FILTER, BREATHER	1.0
5		(6)	
5	1171A8	VALVE, OIL OUTLET	1.0
7	1161B4	SHAFT, GOVERNOR ARM	3.0
8		(16)	
8	6151E8	SWITCH, OIL LEVEL	0.2
9	6151E4	SWITCH, OIL PRESSURE	0.2
13	1101E4	OIL SEAL, CRANKSHAFT :FRONT ..	3.0
14	1101C4	OIL SEAL, GOVERNOR ARM SHAFT ..	3.0
15	1101T8	PACKING, OIL PASS	0.8
	1111AS	PACKING, OIL PASS :LEFT BANK ..	1.4
	1111AT	PACKING, OIL PASS :RIGHT BANK ..	1.4
	1111AU	PACKING, OIL PASS :BOTH BANKS ..	1.9

Ref. No.	Part No.	Description	Reqd. QTY			Serial No.	Parts catalogue code
			GX 630R	GX 660R	GX 690R		
1	11100-Z6L-000	CRANKCASE ASSY.	1	1	1	-----	BAF,BDW,QAB,QAF,QAF1,QAF3,QDF,QDF2,QDW,QWF2,QYF,TAF,TDW,VAF6,VDC2
	11100-Z6L-800	1	1	1	-----	BXF,BXF5,QXA,QXC2,QXF,QXF4,QXF5,QXF6,QZA,QZA5,QZB,QZB2,QZB3,QZE,QZE3,QZE4,QZF8,TXA2,TFX,TFX4,TFX5,TFX7,TFX9,VD,VDB2,VEP4,VXA1,VXD,VXD4,VXD8,VXE1,VXE2,VXE4,VXE8,VXF,VXF4,VXP2,VZA,VZA2
	11100-Z6L-810	1	-	-	-----	QYD
	11100-Z6L-820	1	-	-	-----	QXB1
2	12356-Z6L-000	COVER, BREATHER	1	1	1	-----	
3	12367-Z6L-000	FILTER, BREATHER	1	1	1	-----	
4	15424-Z6L-000	BOLT, SEALING	1	1	1	-----	BDW,BXF,BXF5,QAB,QDF,QDF2,QDW,QXA,QXB1,QXC2,QXF,QXF4,QXF5,QXF6,QZA,QZA5,QZB,QZB2,QZB3,QZE,QZE3,QZE4,QZF8,TDW,TXA2,TFX,TFX4,TFX5,TFX9,VD,VDB2,VDC2,VEP4,VXA1,VXD,VXD4,VXD8,VXE1,VXE2,VXE4,VXE8,VXF,VXF4,VXP2,VZA,VZA2
5	15571-ZM7-003	VALVE, OIL OUTLET	1	1	1	-----	
6	15572-Z6L-000	PLATE, STOPPER	1	1	1	-----	
7	16541-Z6L-000	SHAFT, GOVERNOR ARM	1	1	1	-----	
8	35480-Z6L-003	SWITCH ASSY., OIL LEVEL	1	1	1	-----	BXF,BXF5,QXA,QXB1,QXC2,QXF,QXF4,QXF5,QXF6,QZA,QZA5,QZB,QZB2,QZB3,QZE,QZE3,QZE4,QZF8,TXA2,TFX,TFX4,TFX5,TFX7,TFX9,VD,VDB2,VEP4,VXA1,VXD,VXD4,VXD8,VXE1,VXE2,VXE4,VXE8,VXF,VXF4,VXP2,VZA,VZA2
9	37240-ZG5-004	SWITCH, OIL PRESSURE	1	1	1	-----	BAF,QAF,QAF1,QAF3,QWF2,QYD,QYF,TAF,TFX7,VAF6
10	90002-ZG5-004	SCREW-WASHER, 4X8	1	1	1	-----	BAF,QAF,QAF1,QAF3,QWF2,QYD,QYF,TAF,TFX7,VAF6
11	90404-Z6L-000	WASHER, PLAIN (10MM)	1	1	1	-----	
12	90709-Z6L-000	DOWEL PIN, 12X20	4	4	4	-----	
13	91201-Z6L-003	OIL SEAL, 38X58X9	1	1	1	-----	
14	91203-Z6L-003	OIL SEAL, 10X16X5	1	1	1	-----	
15	91308-Z6L-003	PACKING, OIL PASS	3	3	3	-----	



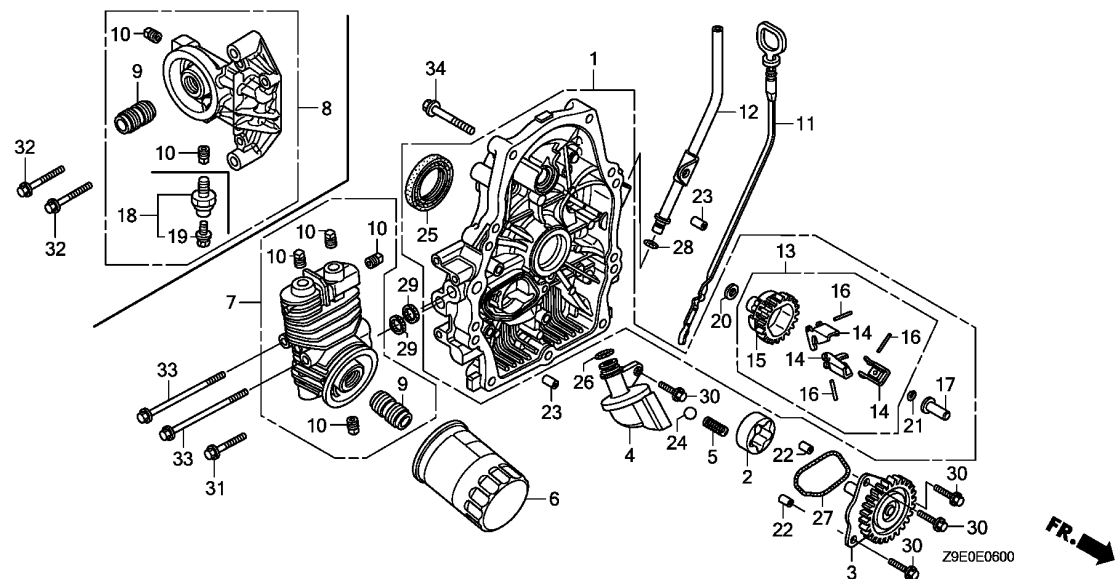
Ref. No.	Part No.	Description	Reqd. QTY			Serial No.	Parts catalogue code
			GX 630R	GX 660R	GX 690R		
16	91309-Z6L-000	O-RING, 37.9X2.4	1	1	1	-----	BXF,BXF5,QXA,QXB1,QXC2,QXF,QXF4,QXF5,QXF6,QZA,QZA5,QZB,QZB2,QZB3,QZE,QZE3,QZE4,QZF8,TXA2,TFX,TFX4,TFX5,TFX7,TFX9,VD,VDB2,VEP4,VXA1,VXD,VXD4,VXD8,VXE1,VXE2,VXE4,VXE8,VXF,VXF4,VXP2,VZA,VZA2
17	92800-20000	BOLT, DRAIN PLUG, 20MM	2	2	2		
18	92900-10040-0B	BOLT, STUD, 10X40	8	8	8		
19	93500-03008-0A	SCREW, PAN, 3X8	1	1	1		
20	94109-20000	WASHER, DRAIN PLUG, 20MM	2	2	2		
21	94251-10000	PIN, LOCK, 10MM	2	2	2		
22	95701-06014-00	BOLT, FLANGE, 6X14	3	3	3		
23	95701-06016-00	BOLT, FLANGE, 6X16	2	2	2	-----	BXF,BXF5,QXA,QXB1,QXC2,QXF,QXF4,QXF5,QXF6,QZA,QZA5,QZB,QZB2,QZB3,QZE,QZE3,QZE4,QZF8,TXA2,TFX,TFX4,TFX5,TFX7,TFX9,VD,VDB2,VEP4,VXA1,VXD,VXD4,VXD8,VXE1,VXE2,VXE4,VXE8,VXF,VXF4,VXP2,VZA,VZA2



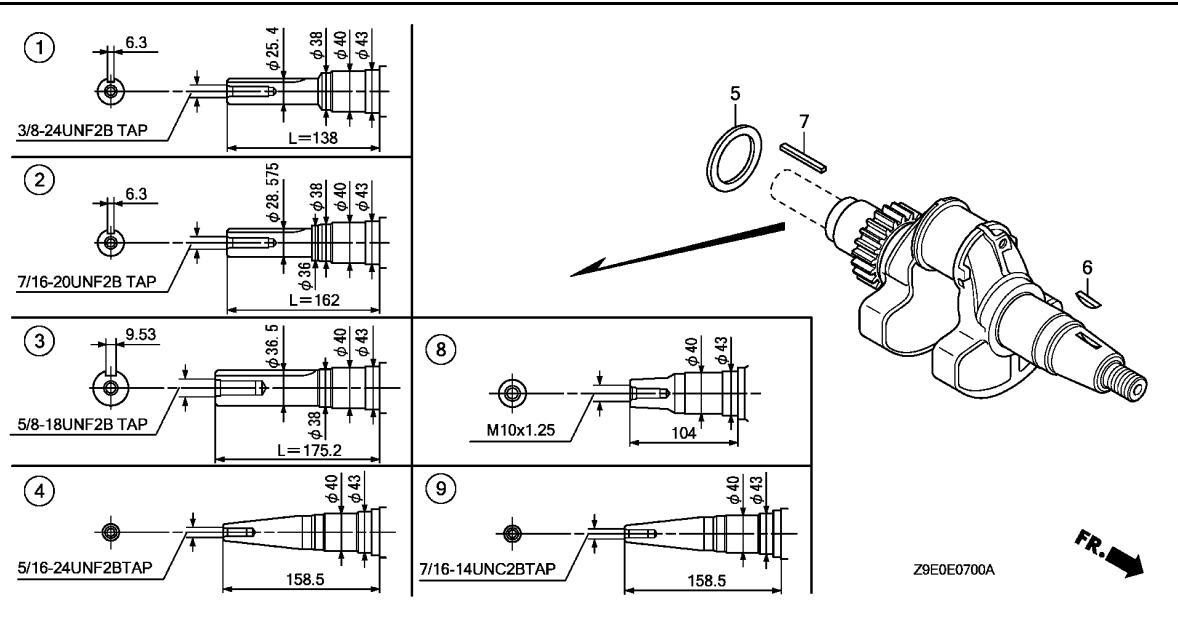


Ref. No.	L.O.N.	(Relative ref. Number) Description	F.R.T.
1	1101F1	COVER, CRANKCASE	1.2
2		(5,24)	
3	1131B3	ROTOR, OIL PUMP OUTER	0.9
4		(27)	
5	1131A4	GEAR, OIL PUMP	0.9
6		(26)	
7	1131B5	STRAINER, OIL	0.9
8	110175	CARTRIDGE, OIL FILTER	0.2
9		(29)	
10	1101A2	BASE, OIL FILTER	0.3
11		(29)	
12	1101T7	BASE, OIL FILTER(A)	0.4
13		.NOTE: Side mount type	
14	1161C4	GOVERNOR ASSEMBLY	0.9
15		(14,16)	
16	1161A7	HOLDER, GOVERNOR WEIGHT	1.0
17	1161B6	SLIDER, GOVERNOR	0.9
18	6151E4	SWITCH, OIL PRESSURE	0.2
19	25	1101E5 OIL SEAL, CRANKSHAFT :REAR ...	0.9

Ref. No.	Part No.	Description	Reqd. QTY			Serial No.	Parts catalogue code
			GX 630R	GX 660R	GX 690R		
1	11300-Z6L-000	COVER ASSY., CRANKCASE	1	1	1		
2	15133-Z6L-000	ROTOR, OIL PUMP OUTER	1	1	1		
3	15140-Z6L-000	GEAR COMP., OIL PUMP	1	1	1		
4	15220-Z6L-000	STRAINER COMP., OIL	1	1	1		
5	15232-Z6L-000	SPRING, RELIEF VALVE	1	1	1		
6	15400-RTA-004	CARTRIDGE, OIL FILTER (TOYO ROKI)	1	1	1		
7	15410-Z6L-000	BASE COMP., OIL FILTER	1	-	-	-----	QAF,QAF1,QAF3,QDF,QDF2,QDW,QWF2,QXC2,QXF,QXF4,QXF5,QXF6,QYD,QYF QZA5,QZB3,QZE,QZE3,QZE4,QZF8,VAF6,VD,VDC2,VEP4,VXD,VXD4,VXD8,VXE1 VXE2,VXE8,VXF,VXF4,VXP2
8	15410-Z6L-800	BASE COMP., OIL FILTER	1	-	1	-----	QXA,QXB1,QZA,QZB,QZB2,VDB2,VXA1,VZA,VZA2
	15410-Z6L-820	1	-	-	-----	QAB
9	15423-Z6L-000	HOLDER, OIL FILTER	1	1	1		
10	15424-Z6L-000	BOLT, SEALING	1	-	-	-----	QAB
			2	-	-	-----	QXA,QXB1,QZA,QZB,QZB2,VDB2,VXA1,VZA,VZA2
			4	-	-	-----	QAF,QAF1,QAF3,QDF,QDF2,QDW,QWF2,QXC2,QXF,QXF4,QXF5,QXF6,QYD,QYF QZA5,QZB3,QZE,QZE3,QZE4,QZF8,VAF6,VD,VDC2,VEP4,VXD,VXD4,VXD8,VXE1 VXE2,VXE8,VXF,VXF4,VXP2
			-	4	4		
11	15655-Z6L-000	GAUGE COMP., OIL LEVEL	1	1	1		
12	15665-Z6L-000	PIPE COMP., OIL LEVEL	1	1	1		
13	16510-Z6L-000	GOVERNOR ASSY.	1	1	1		
14	16511-Z6L-300	WEIGHT, GOVERNOR	3	3	3		
15	16512-Z6L-300	HOLDER, GOVERNOR WEIGHT	1	1	1		
16	16513-Z6L-000	PIN, GOVERNOR WEIGHT	3	3	3		

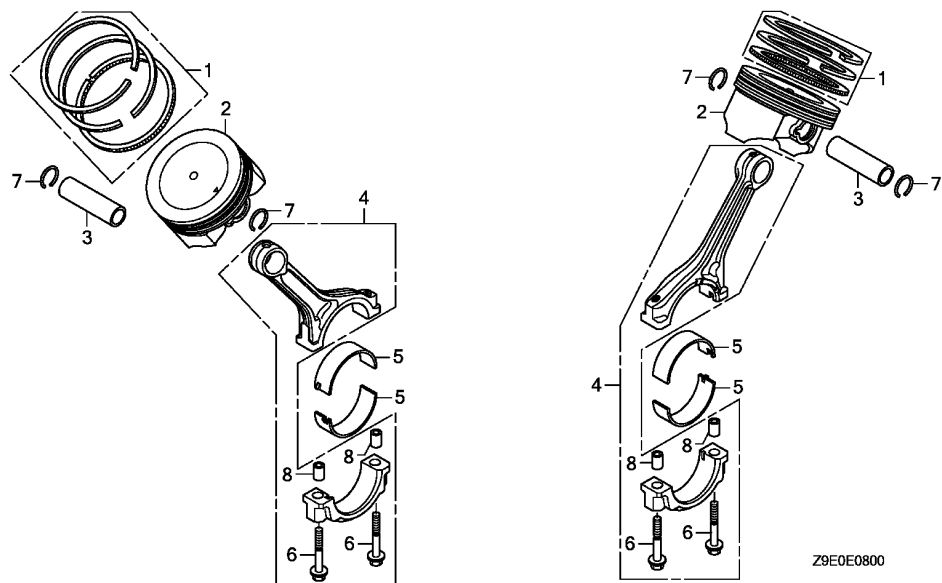


Ref. No.	Part No.	Description	Reqd. QTY			Serial No.	Parts catalogue code
			GX 630R	GX 660R	GX 690R		
17	16531-Z6L-000	SLIDER, GOVERNOR	1	1	1		
18	37240-ZG5-004	SWITCH, OIL PRESSURE	1	-	-	-----	QAB
19	90002-ZG5-004	SCREW-WASHER, 4X8	1	-	-	-----	QAB
20	90403-Z6L-000	WASHER, 6X16	1	1	1		
21	90602-ZE1-000	CLIP, GOVERNOR HOLDER	1	1	1		
22	90707-Z6L-000	DOWEL PIN, 8X10	2	2	2		
23	90708-Z6L-000	DOWEL PIN, 8X14	2	2	2		
24	90902-Z6L-000	BALL, STEEL, #15 (15/32)	1	1	1		
25	91202-Z6L-003	OIL SEAL, 38X58X9	1	1	1		
26	91301-Z6L-003	O-RING, 14.8X2.4	1	1	1		
27	91302-Z6L-003	O-RING, OIL PUMP	1	1	1		
28	91308-PH9-000	O-RING, 8.8X1.9	1	1	1		
29	91308-Z6L-003	PACKING, OIL PASS	2	2	2		
30	95701-06020-00	BOLT, FLANGE, 6X20	4	4	4		
31	95701-06028-00	BOLT, FLANGE, 6X28	1	1	1		
32	95701-06035-00	BOLT, FLANGE, 6X35	2	-	-	-----	QAB,QXA,QXB1,QZA,QZB,QZB2,VDB2,VXA1,VZA,VZA2
33	95701-06090-00	BOLT, FLANGE, 6X90	2	-	-	-----	QAF, QAF1, QAF3, QDF, QDF2, QDW, QWF2, QXC2, QXF, QXF4, QXF5, QXF6, QYD, QYF, QZA5, QZB3, QZE, QZE3, QZE4, QZF8, VAF6, VD, VDC2, VEP4, VXD, VXD4, VXD8, VXE1, VXE2, VXE8, VXF, VXF4, VXP2
34	95701-08045-00	BOLT, FLANGE, 8X45	-	2	2		
			9	9	9		



Ref. No.	L.O.N.	(Relative ref. Number) Description	F.R.T.
1	1101F0	(2,3,4,8,9) CRANKSHAFT	3.2

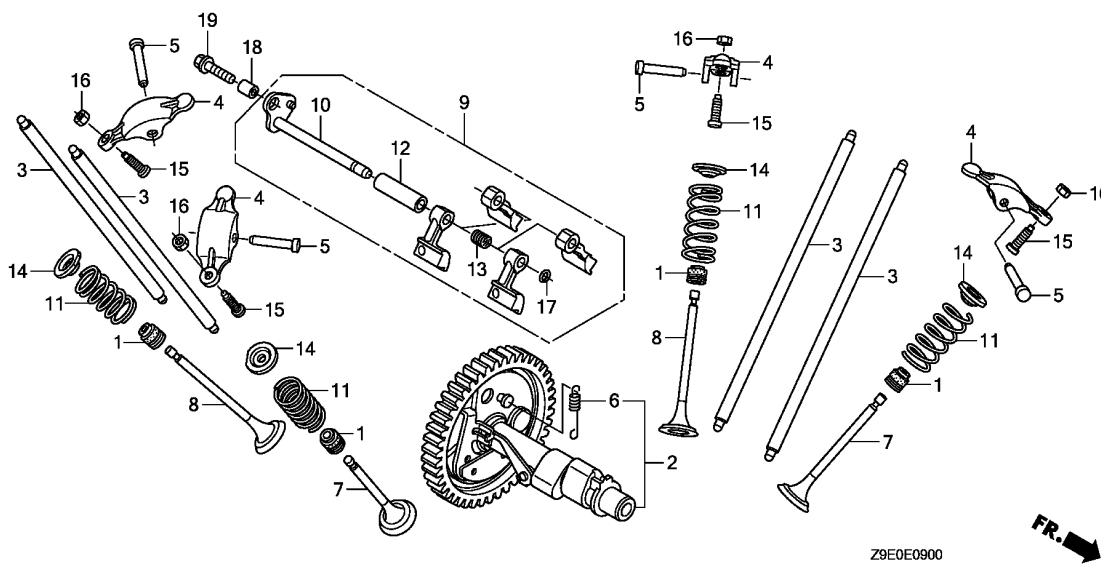
Ref. No.	Part No.	Description	Reqd. QTY			Serial No.	Parts catalogue code
			GX 630R	GX 660R	GX 690R		
1	13310-Z6L-000	CRANKSHAFT COMP. (L=138)	1	-	-	-----	QAB,QAF,QAF1,QAF3,QDF,QDF2,QDW,QWF2,QXA,QXB1,QXC2,QXF,QXF4,QXF5,QXF6,QYD,QYF,QZA,QZA5,QZB,QZB2,QZB3,QZE,QZE3,QZE4,QZF8
2	13310-Z6L-600	CRANKSHAFT COMP. (L=162)	-	1	1	-----	TAF,TDW,TXA2,TFX,TFX4,TFX5,TFX7,TFX9
3	13310-Z6L-610	CRANKSHAFT COMP. (L=175.2)	-	1	1	-----	BAF,BDW,BXF,BXF5
4	13310-Z6L-620	CRANKSHAFT COMP.	1	1	1	-----	VAF6,VDB2,VEP4,VXA1,VXD4,VXD8,VXE1,VXE2,VXE4,VXE8,VXF,VXF4,VXP2,VZA,VZA2
5	90402-Z6L-000	WASHER, CRANKSHAFT THRUST	1	1	1	-----	
6	90741-ZE2-000	KEY, SPECIAL WOODRUFF, 25X18	1	1	1	-----	QXF,QXF4,QZA5,QZE3,QZE4,TFX4,TFX5,TFX9
7	90745-ZE2-600	KEY, 6.3X6.3X4.3	1	1	1	-----	VD,VXD
8	13310-Z6L-630	CRANKSHAFT COMP.	1	-	-	-----	
9	13310-Z6L-660	CRANKSHAFT COMP.	1	-	-	-----	VDC2



Ref. No.	L.O.N.	(Relative ref. Number) Description	F.R.T.
2		(1,3)	
1111AP		PISTON AND/OR RING, PISTON :LEFT BANK	1.9
1111AQ		PISTON AND/OR RING, PISTON :RIGHT BANK	1.9
1111AR		PISTON AND/OR RING, PISTON :BOTH BANKS	2.6
4		(5)	
1101T3		ROD, CONNECTING :LEFT BANK ...	2.7
1101T4		ROD, CONNECTING :RIGHT BANK ..	2.7
1101T5		ROD, CONNECTING :BOTH BANKS ..	3.2

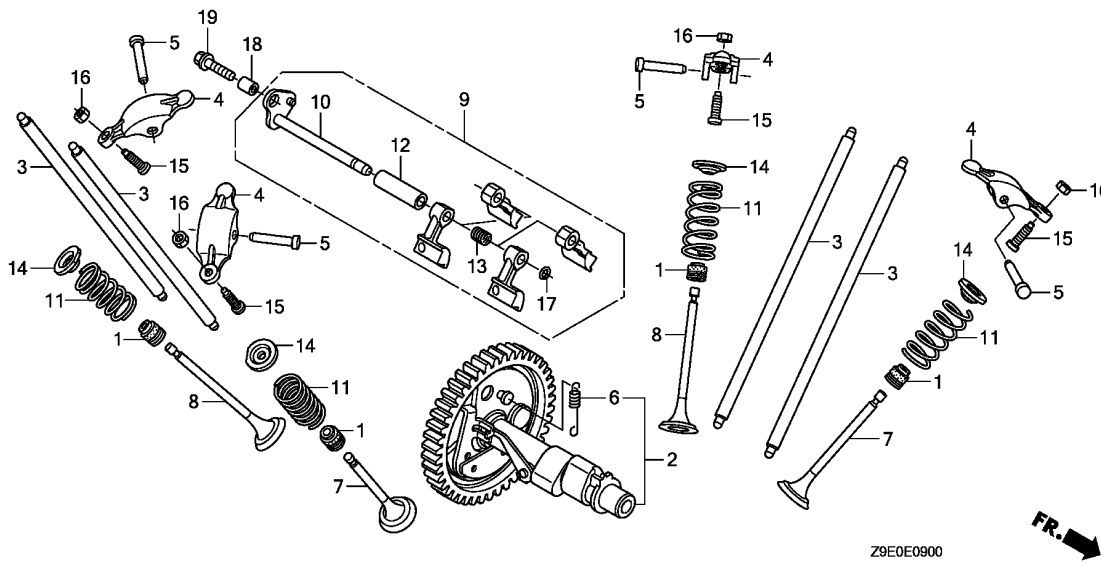
Ref. No.	Part No.	Description	Reqd. QTY			Serial No.	Parts catalogue code
			GX 630R	GX 660R	GX 690R		
1	13010-Z6L-003	RING SET, PISTON (STD.) (TEIKOKU)	2	2	2		
2	13101-Z6L-000	PISTON	2	2	2		
3	13111-Z6L-000	PIN, PISTON	2	2	2		
4	13210-Z6L-000	ROD ASSY., CONNECTING	2	2	2		
5	13211-Z6L-003	BEARING A, CONNECTING ROD ...	4	4	4		
6	90001-Z6L-000	BOLT, CONNECTING ROD, 7X38 ..	4	4	4		
7	90551-ZE1-000	CLIP, PISTON PIN, 18MM	4	4	4		
8	90705-Z6L-000	DOWEL PIN, 9X10	4	4	4		



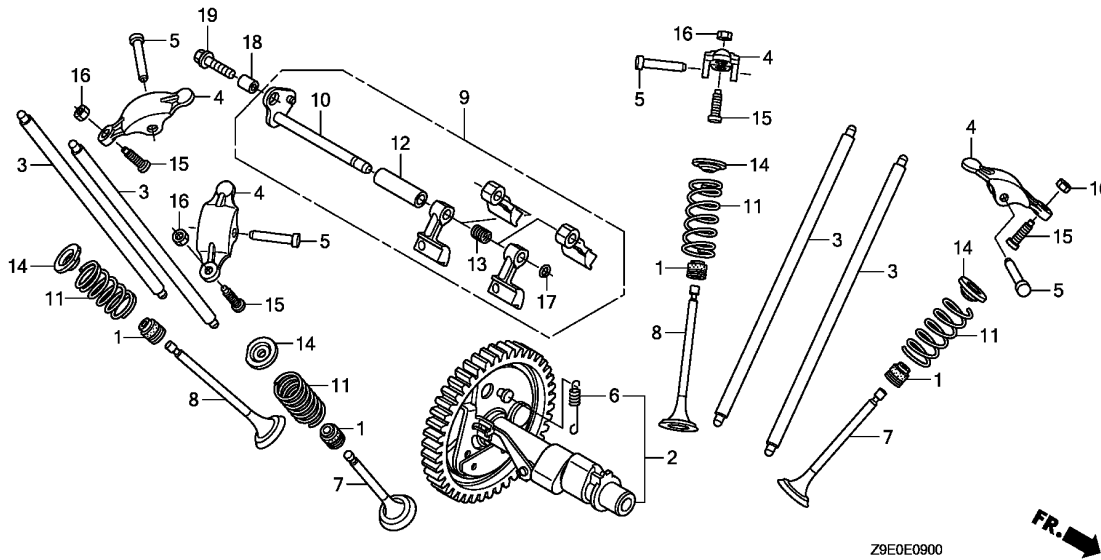


Ref. No.	L.O.N.	(Relative ref. Number) Description	F.R.T.
1	1111U9	SEAL, INTAKE VALVE STEM(ONE) :LEFT BANK	1.5
		.INCLUDES: Valve clearance adjustment	
	1111U9B	.Replace one head(intake and exhaust all) add	0.1
	1111V0	SEAL, INTAKE VALVE STEM(ONE) :RIGHT BANK	1.5
		.INCLUDES: Valve clearance adjustment	
	1111V0B	.Replace one head(intake and exhaust all) add	0.1
	1111V1	SEAL, EXHAUST VALVE STEM(ONE) :LEFT BANK	1.5
		.INCLUDES: Valve clearance adjustment	
	1111V1B	.Replace one head(intake and exhaust all) add	0.1
	1111V2	SEAL, EXHAUST VALVE STEM(ONE) :RIGHT BANK	1.5
		.INCLUDES: Valve clearance adjustment	
	1111V2B	.Replace one head(intake and exhaust all) add	0.1
+ 2	1111C2	CAMSHAFT	1.3

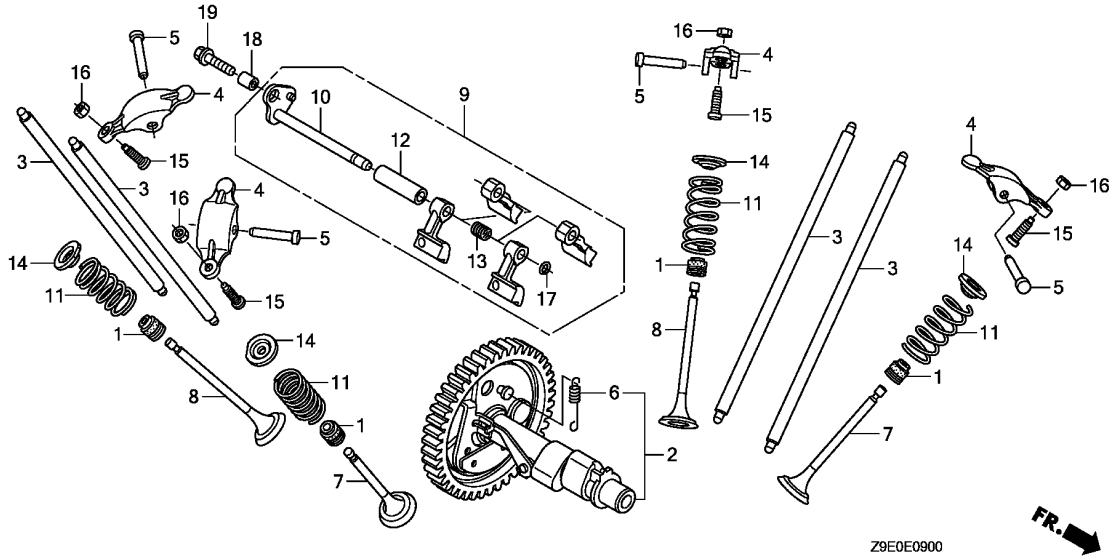
Ref. No.	Part No.	Description	Reqd. QTY			Serial No.	Parts catalogue code
			GX 630R	GX 660R	GX 690R		
1	12208-Z6L-003	SEAL, VALVE STEM	4	4	4		
2	14100-Z6L-000	CAMSHAFT ASSY.	1	1	1		
3	14410-Z6L-000	ROD COMP., PUSH	4	4	4		
4	14431-Z6L-000	ARM, VALVE ROCKER	4	4	4		
5	14461-Z6L-000	SHAFT, ROCKER ARM	4	4	4		
6	14568-Z6L-000	SPRING, WEIGHT RETURN	1	1	1		
7	14711-Z6L-000	VALVE, IN.	2	2	2		
8	14721-Z6L-000	VALVE, EX.	2	2	2		
9	14730-Z6L-000	LIFTER ASSY., VALVE	1	1	1		
10	14735-Z6L-000	SHAFT COMP., VALVE LIFTER ...	1	1	1		
11	14751-Z6L-000	SPRING, VALVE	4	4	4		
12	14763-Z6L-000	COLLAR, VALVE LIFTER	1	1	1		
13	14764-Z6L-000	SPRING, VALVE LIFTER	1	1	1		
14	14771-ZE1-000	RETAINER, IN. VALVE SPRING ..					
		(IN./EX.)	4	4	4		
15	90012-Z6L-000	SCREW, TAPPET ADJUSTING	4	4	4		
16	90206-Z6L-000	NUT, TAPPET ADJUSTING	4	4	4		
17	90602-ZE1-000	CLIP, GOVERNOR HOLDER	1	1	1		
18	90707-Z6L-000	DOWEL PIN, 8X10	1	1	1		
19	95701-06022-00	BOLT, FLANGE, 6X22	1	1	1		



Ref. No.	L.O.N.	(Relative ref. Number) Description	F.R.T.
+ 2		.INCLUDES: Valve clearance adjustment	
3	1111X5	ROD, PUSH(ONE) :LEFT BANK INTAKE	0.3
		.INCLUDES: Valve clearance adjustment	
	1111X5B	.Replace one head(intake and exhaust all) add	0.1
	1111X6	ROD, PUSH(ONE) :RIGHT BANK INTAKE	0.3
		.INCLUDES: Valve clearance adjustment	
	1111X6B	.Replace one head(intake and exhaust all) add	0.1
	1111X7	ROD, PUSH(ONE) :LEFT BANK EXHAUST	0.3
		.INCLUDES: Valve clearance adjustment	
	1111X7B	.Replace one head(intake and exhaust all) add	0.1
	1111X8	ROD, PUSH(ONE) :RIGHT BANK EXHAUST	0.3
		.INCLUDES: Valve clearance adjustment	
+			

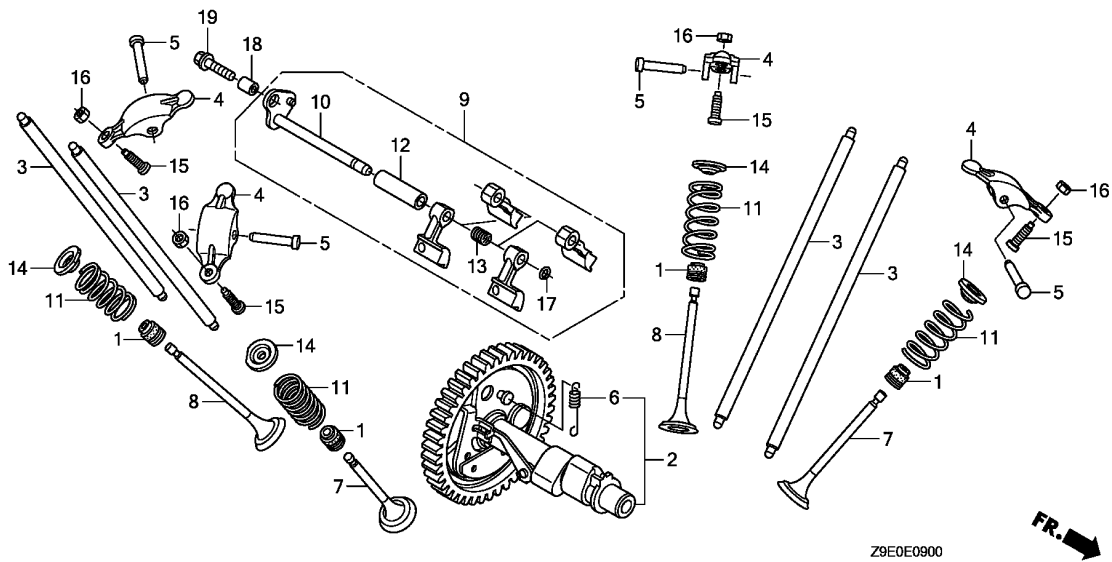


Ref. No.	L.O.N.	(Relative ref. Number) Description	F.R.T.
+ 3	1111X8B	.Replace one head(intake and exhaust all) add	0.1
4	1111T1	ARM, ROCKER :LEFT BANK INTAKE .INCLUDES: Valve clearance adjustment	0.3
	1111T1C	.Replace one head(intake and exhaust all) add	0.1
	1111U3	ARM, ROCKER :LEFT BANK EXHAUST .INCLUDES: Valve clearance adjustment	0.3
	1111U3C	.Replace one head(intake and exhaust all) add	0.1
	1111T2	ARM, ROCKER :RIGHT BANK INTAKE .INCLUDES: Valve clearance adjustment	0.3
	1111T2C	.Replace one head(intake and exhaust all) add	0.1
	1111U4	ARM, ROCKER :RIGHT BANK EXHAUST .INCLUDES: Valve clearance adjustment	0.3
	1111U4C	.Replace one head(intake and exhaust all) add	0.1
+ 7	1111T9	VALVE, INTAKE(ONE) :LEFT BANK	1.6



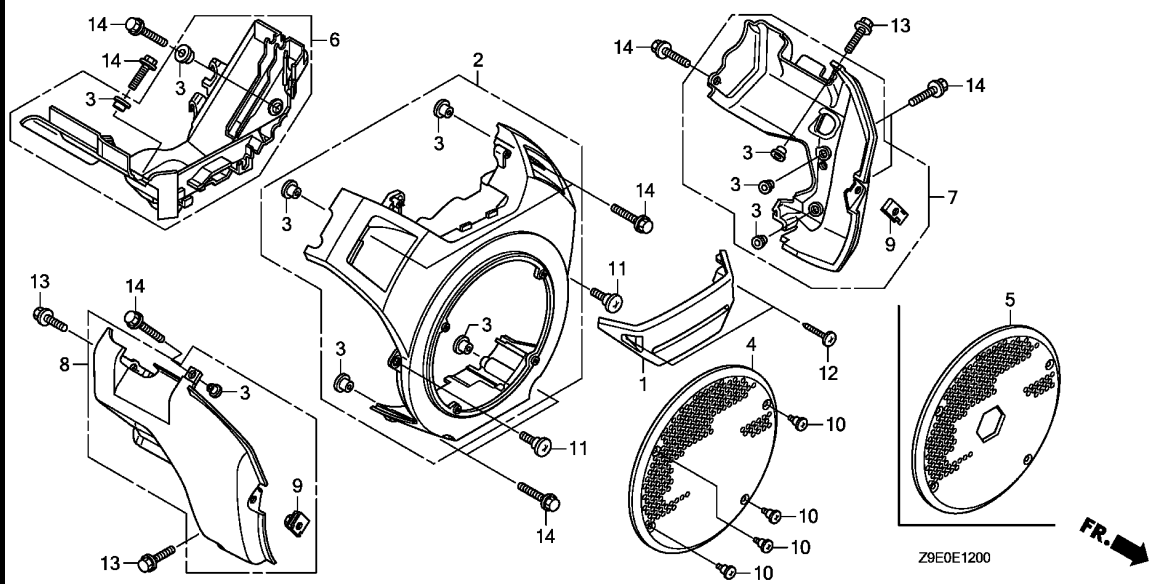
Ref. No.	L.O.N.	(Relative ref. Number) Description	F.R.T.
+ 7		.INCLUDES: Valve clearance adjustment and reface	
	1111T9B	.Replace one head(intake and exhaust all) add	0.2
	1111U1	VALVE, INTAKE(ONE) :RIGHT BANK .INCLUDES: Valve clearance adjustment and reface	1.6
	1111U1B	.Replace one head(intake and exhaust all) add	0.2
8	1111U0	VALVE, EXHAUST(ONE) :LEFT BANK .INCLUDES: Valve clearance adjustment and reface	1.6
	1111U0B	.Replace one head(intake and exhaust all) add	0.2
	1111U2	VALVE, EXHAUST(ONE) :RIGHT BANK	1.6
	1111U2B	.Replace one head(intake and exhaust all) add	0.2
9	1111F7	LIFTER, VALVE	1.3
		.INCLUDES: Valve clearance adjustment (12,13,17)	
10			
+ 1111P2		SHAFT, VALVE LIFTER	1.4





Ref. No.	L.O.N. (Relative ref. Number)	Description	F.R.T.
----------	-------------------------------	-------------	--------

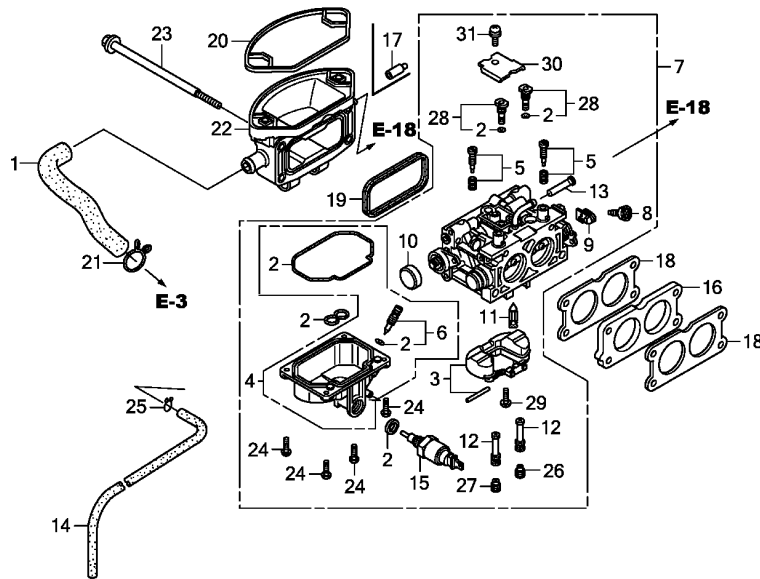
+10		.INCLUDES: Valve clearance adjustment	
-----	--	---------------------------------------	--



Ref. No.	L.O.N.	(Relative ref. Number) Description	F.R.T.
1	3101A4	COVER, FUEL PUMP	0.1
2	1141G8	COVER, ENGINE COOLING FAN (5)	0.2
4	4141C9	PROTECTOR, FAN COVER	0.1
6	4141E2	SHROUD, ENGINE :UPPER	0.5
7	4141D9	SHROUD, ENGINE :LEFT	0.3
8	4141E1	SHROUD, ENGINE :RIGHT	0.2

Ref. No.	Part No.	Description	Reqd. QTY			Serial No.	Parts catalogue code
			GX 630R	GX 660R	GX 690R		
1	16715-Z6L-000	COVER, FUEL PUMP	1	1	1		
2	19610-Z6L-000ZA	COVER COMP., FAN *R280*.....POWER RED	1	1	1		
3	19619-Z0A-300	COLLAR, FAN COVER	10	10	10		
4	19621-Z6L-000	PROTECTOR, FAN COVER	1	-	-	-----	QAB, QAF1, QDF, QDF2, QDW, QWF2, QXA, QXB1, QXC2, QXF, QXF4, QXF5, QXF6, QYD, QZA, QZA5, QZB, QZB2, QZB3, QZE, QZE3, QZE4, QZF8, VAF6, VDB2, VDC2, VEP4, VXA1, VXD, VXD4, VXD8, VXE1, VXE2, VXE8, VXF, VXF4, VXP2, VZA, VZA2
5	19621-Z6L-800	PROTECTOR, FAN COVER (P.T.O.)	-	1	1	-----	QAF, QAF3
6	19631-Z6L-000	SHROUD, UPPER	1	1	1		
7	19641-Z6L-000	SHROUD, R. LOWER	1	1	1		
8	19642-Z6L-000	SHROUD, L. LOWER	1	-	-	-----	QAB, QAF, QAF1, QAF3, QDF, QDF2, QDW, QWF2, QXA, QXB1, QXC2, QXF, QXF4, QXF5, QXF6, QYD, QYF, QZA, QZA5, QZB2, QZB3, QZE, QZE3, QZE4, QZF8, VAF6, VD, VDB2, VDC2, VEP4, VXA1, VXD, VXD4, VXD8, VXE1, VXE2, VXE8, VXF, VXF4, VXP2, VZA, VZA2
	19642-Z6L-800	-	1	1	-----	QZB
9	84601-HA7-670	NUT, FENDER SETTING	2	2	2		
10	90005-Z6L-000	SCREW, SPECIAL, 4X10	4	-	-	-----	QAB, QAF, QAF1, QAF3, QDF, QDF2, QDW, QWF2, QXA, QXB1, QXC2, QXF, QXF4, QXF5, QXF6, QYD, QZA, QZA5, QZB, QZB2, QZB3, QZE, QZE3, QZE4, QZF8, VAF6, VDB2, VDC2, VEP4, VXA1, VXD, VXD4, VXD8, VXE1, VXE2, VXE8, VXF, VXF4, VXP2, VZA, VZA2
			-	4	4		
11	90380-GM9-740	SCREW, SPECIAL, 6X15	2	2	2		
12	93913-25580	SCREW, TAPPING, 5X20	2	2	2		
13	95701-06016-00	BOLT, FLANGE, 6X16	3	3	3		
14	95701-06020-00	BOLT, FLANGE, 6X20	10	10	10		

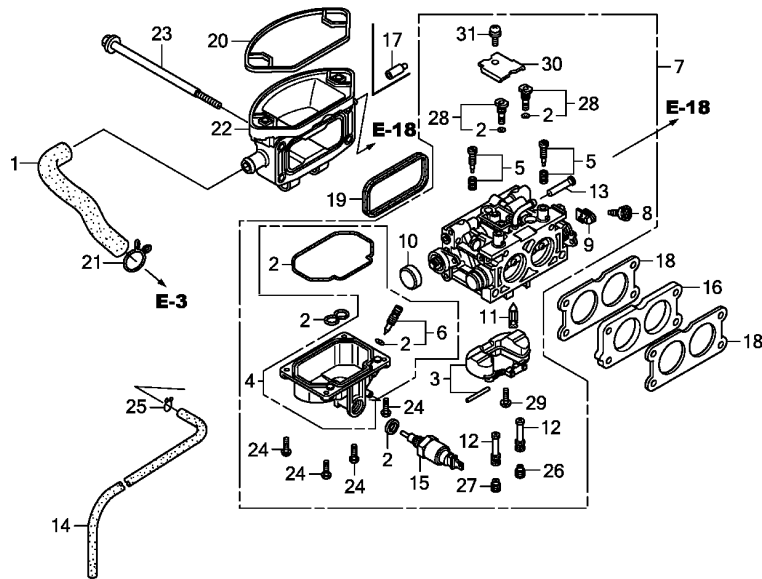




Z9E0E1400

Ref. No.	L.O.N.	(Relative ref. Number) Description	F.R.T.
1	1111K5	TUBE, BREATHER	0.5
2	3111B1	GASKET SET, CARBURETOR	0.8
4	3111A3	CHAMBER SET, FLOAT AND/OR GASKET, FLOAT CHAMBER	0.6
5	3111T7	SCREW SET, PILOT :LEFT	0.3
	3111T8	SCREW SET, PILOT :RIGHT	0.3
7	3111F3	CARBURETOR	0.5
11	3111E1	VALVE SET, FLOAT AND/OR FLOAT SET	0.7
13	3111T4	SCREEN, CARBURETOR FUEL STRAINER	0.2
15	6211C0	VALVE, CARBURETOR SOLENOID ...	0.6
16	3111C0	INSULATOR, CARBURETOR AND/OR PACKING, INSULATOR	0.4
18	3111C8	PACKING, CARBURETOR	0.5
		.NOTE: Same time for two units	
19	3121D9	PACKING, AIR CLEANER	0.5
20	3121E8	SEAL, AIR CLEANER CASE	0.2
22	3121B4	ELBOW, AIR CLEANER	0.5
26		(12)	
	3111T5	JET, MAIN :LEFT	0.6
27		(12)	
	3111T6	JET, MAIN :RIGHT	0.6

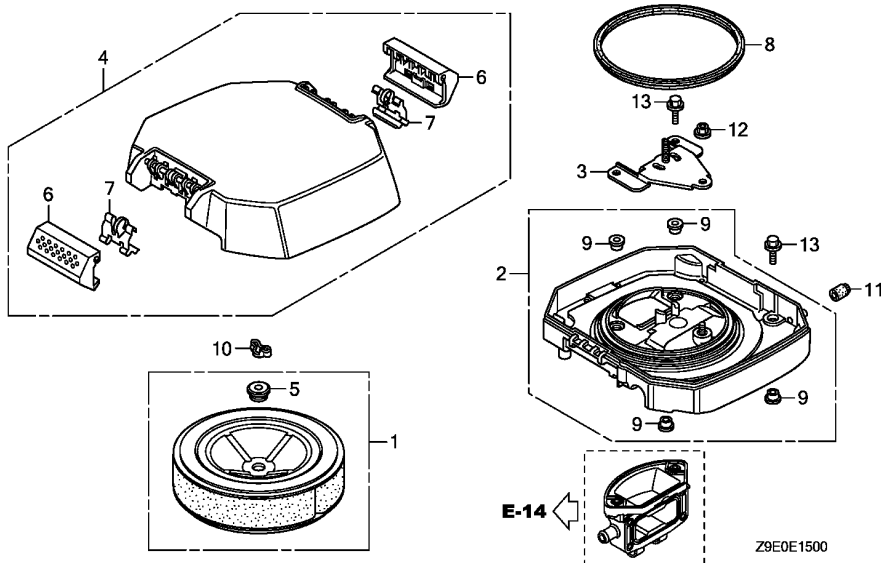
Ref. No.	Part No.	Description	Reqd. QTY			Serial No.	Parts catalogue code
			GX 630R	GX 660R	GX 690R		
1	15721-Z6L-000	TUBE, BREATHER	1	1	1		
2	16010-Z6L-003	GASKET SET	1	1	1		
3	16013-Z6L-003	FLOAT SET	1	1	1		
4	16015-Z6L-003	CHAMBER SET, FLOAT	1	1	1		
5	16016-Z6L-003	SCREW SET	2	2	2		
6	16024-124-760	SCREW SET, DRAIN	1	1	1		
7	16100-Z9E-003	CARBURETOR ASSY. (BK07A A) ..	1	-	-	-----	----- QAB,QAF,QAF1,QAF3,QDF,QDF2,QDW,QXA,QXB1,QXC2,QXF,QXF4,QXF5,QXF6,QYD,QYF,QZA,QZA5,QZB,QZB2,QZB3,QZE,QZE3,QZE4,QZF8,VAF6,VEP4,VXA1,VXD8,VXE1,VXE8,VXF,VXF4,VXP2,VZA
	16100-Z9E-851	CARBURETOR ASSY. (BK07G A) ..	1	-	-	-----	----- QWF2,VXD4
	16100-Z9E-861	CARBURETOR ASSY. (BK07L A) ..	1	-	-	-----	----- VD,VDB2,VDC2,VXD,VXE2,VZA2
	16100-Z8N-003	CARBURETOR ASSY. (BK06A A) ..	-	1	-	-----	----- BAF,BDW,BXF,BXF5,TAF,TDW,TXA2,TFX,TFX4,TFX5,TFX7,TFX9,VXE1
	16100-Z8N-851	CARBURETOR ASSY. (BK06E A) ..	-	1	-	-----	----- VXE2,VXE4
	16100-Z6L-003	CARBURETOR ASSY. (BK05A A) ..	-	-	1	-----	----- BAF,BDW,BXF,BXF5,TAF,TDW,TXA2,TFX,TFX4,TFX5,TFX7,TFX9,VXE1
	16100-Z6L-851	CARBURETOR ASSY. (BK05D A) ..	-	-	1	-----	----- VXE2,VXE4
8	16124-ZE0-005	SCREW, THROTTLE STOP	1	1	1		
9	16126-Z6L-003	ARM, THROTTLE LINKAGE	1	1	1		
10	16148-141-881	CAP, CHOKE DUST	1	1	1		
11	16155-Z6L-003	VALVE COMP., FLOAT	1	1	1		
12	16166-Z8N-003	NOZZLE, MAIN	2	2	-		
	16166-Z6L-003	-	-	2		
13	16176-Z2G-D51	SCREEN, FUEL STRAINER	1	1	1		
14	16198-Z6L-000	TUBE, DRAIN	1	1	1		
15	16200-Z6L-003	VALVE ASSY., SOLENOID	1	1	1		
16	16211-Z6L-000	INSULATOR, CARBURETOR	1	1	1		
17	16215-MV4-000	CAP, BOOST	1	-	-	-----	----- QXB1,QYD



Z9E0E1400

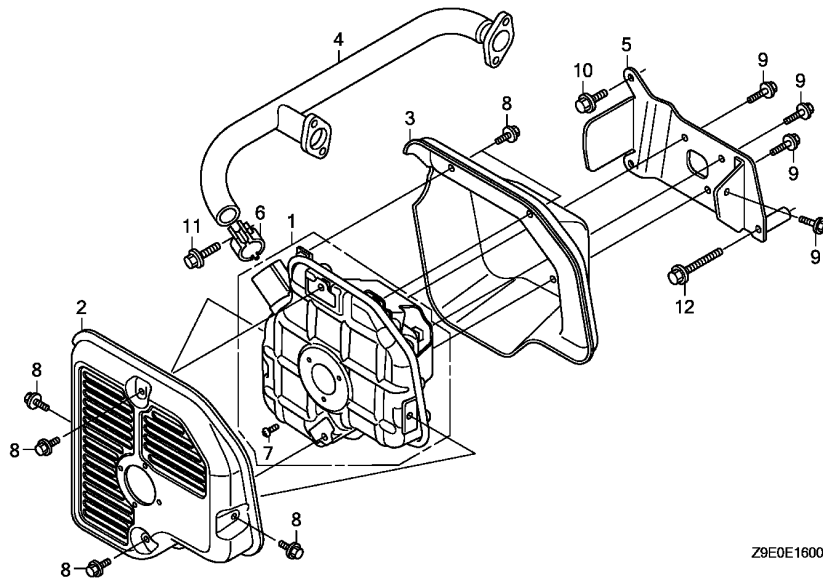
Ref. No.	Part No.	Description	Reqd. QTY			Serial No.	Parts catalogue code
			GX 630R	GX 660R	GX 690R		
18	16221-Z6L-000	PACKING, CARBURETOR	2	2	2		
19	17228-Z6L-000	PACKING, AIR CLEANER	1	1	1		
20	17229-Z6L-000	SEAL, AIR CLEANER CASE	1	1	1		
21	17369-KB4-670	CLIP, BREATHER TUBE	1	1	1		
22	17410-Z6L-000	ELBOW COMP., AIR CLEANER	1	1	1		
23	90003-Z6L-000	BOLT, FLANGE, 6X106	4	4	4		
24	93500-04012-1H	SCREW, PAN, 4X12	4	4	4		
25	95002-02080	CLIP, TUBE (B8)	1	1	1		
26	99101-ZH8-0900	JET, MAIN, #90	(1)	-	-		
	99101-ZH8-0950	JET, MAIN, #95	(1)	-	-		
	99101-ZH8-1000	JET, MAIN, #100	-	(1)	-		
	99101-ZH8-1020	JET, MAIN, #102	1	-	-		
	99101-ZH8-1050	JET, MAIN, #105	-	(1)	(1)		
	99101-ZH8-1100	JET, MAIN, #110	-	-	(1)		
	99101-ZH8-1120	JET, MAIN, #112	-	1	-		
	99101-ZH8-1180	JET, MAIN, #118	-	-	1		
27	99101-ZH8-0920	JET, MAIN, #92	(1)	-	-		
	99101-ZH8-0980	JET, MAIN, #98	(1)	-	-		
	99101-ZH8-1000	JET, MAIN, #100	-	(1)	-		
	99101-ZH8-1050	JET, MAIN, #105	1	(1)	(1)		
	99101-ZH8-1100	JET, MAIN, #110	-	-	(1)		
	99101-ZH8-1120	JET, MAIN, #112	-	1	-		
	99101-ZH8-1180	JET, MAIN, #118	-	-	1		
28	99204-ZE2-0400	JET SET, PILOT, #40	2	2	-		
	99204-ZE2-0450	JET SET, PILOT, #45	-	-	2		
29	16081-Z6L-003	SCREW, FLOAT	1	1	1		
30	16113-Z6L-003	PLATE	1	1	1		
31	93892-05010-18	SCREW-WASHER, 5X10	1	1	1		





Ref. No.	L.O.N.	(Relative ref. Number) Description	F.R.T.
1	3121B8	ELEMENT, AIR CLEANERINCLUDES: Air cleaner element -inspection	0.1
2	3121A5	CASE, AIR CLEANER	0.2
4	3121B1	COVER, AIR CLEANER	0.1
8	3121R3	PACKING, AIR CLEANER CASE	0.1

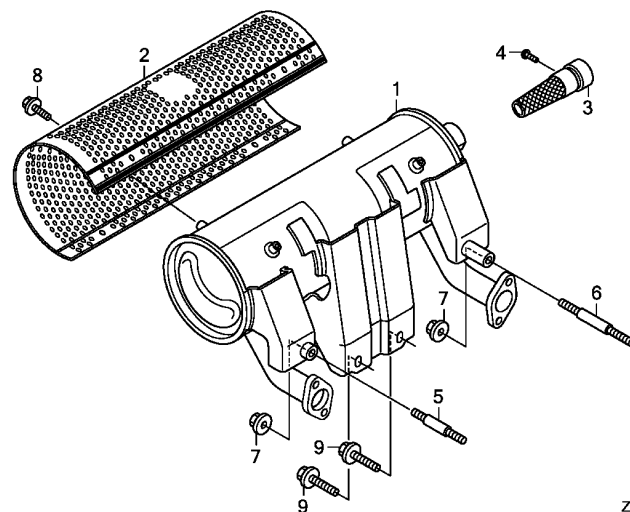
Ref. No.	Part No.	Description	Reqd. QTY			Serial No.	Parts catalogue code
			GX 630R	GX 660R	GX 690R		
1	17210-Z6L-000	ELEMENT COMP., AIR CLEANER ..	1	1	1		
2	17220-Z6L-000	CASE COMP., AIR CLEANER	1	1	1		
3	17223-Z6L-000	STAY COMP., AIR CLEANER ELEMENT	1	1	1		
4	17230-Z6L-000	COVER COMP., AIR CLEANER	1	1	1		
5	17232-Z2E-000	GROMMET, AIR CLEANER	1	1	1		
6	17235-Z6L-300	KNOB, AIR CLEANER COVER	2	2	2		
7	17236-Z6L-300	SPRING, AIR CLEANER CASE COVER	2	2	2		
8	17417-Z6L-000	PACKING, AIR CLEANER CASE ...	1	1	1		
9	19619-Z0A-300	COLLAR, FAN COVER	4	4	4		
10	90325-044-000	NUT, TOOL BOX SETTING	1	1	1		
11	90802-Z6L-000	CAP, SEALING	1	1	1		
12	94050-06000	NUT, FLANGE, 6MM	1	1	1		
13	95701-06018-00	BOLT, FLANGE, 6X18	4	4	4		



Ref. No.	L.O.N.	(Relative ref. Number) Description	F.R.T.
1	3131F7	MUFFLER, EXHAUST(A)	0.3
3	3131D6	PROTECTOR, EXHAUST MUFFLER ...	0.3
4	3131C9	PIPE, EXHAUST	0.2

Ref. No.	Part No.	Description	Reqd. QTY			Serial No.	Parts catalogue code
			GX 630R	GX 660R	GX 690R		
1	18310-Z6L-810	MUFFLER COMP.	1	-	-	-----	QZB
2	18321-Z6L-801	PROTECTOR, MUFFLER (OUTSIDE)	1	-	-	-----	QZB
3	18325-Z6L-800	PROTECTOR, MUFFLER (INSIDE)	1	-	-	-----	QZB
4	18330-Z6L-800	PIPE COMP., EX.	1	-	-	-----	QZB
5	18338-Z6L-800	STAY, MUFFLER	1	-	-	-----	QZB
6	18371-Z6L-000	BAND, MUFFLER	1	-	-	-----	QZB
7	93500-04008-4J	SCREW, PAN, 4X8	3	-	-	-----	QZB
8	95701-06008-00	BOLT, FLANGE, 6X8	6	-	-	-----	QZB
9	95701-06012-00	BOLT, FLANGE, 6X12	4	-	-	-----	QZB
10	95701-08020-00	BOLT, FLANGE, 8X20	2	-	-	-----	QZB
11	95701-08030-00	BOLT, FLANGE, 8X30	1	-	-	-----	QZB
12	95701-08060-00	BOLT, FLANGE, 8X60	1	-	-	-----	QZB





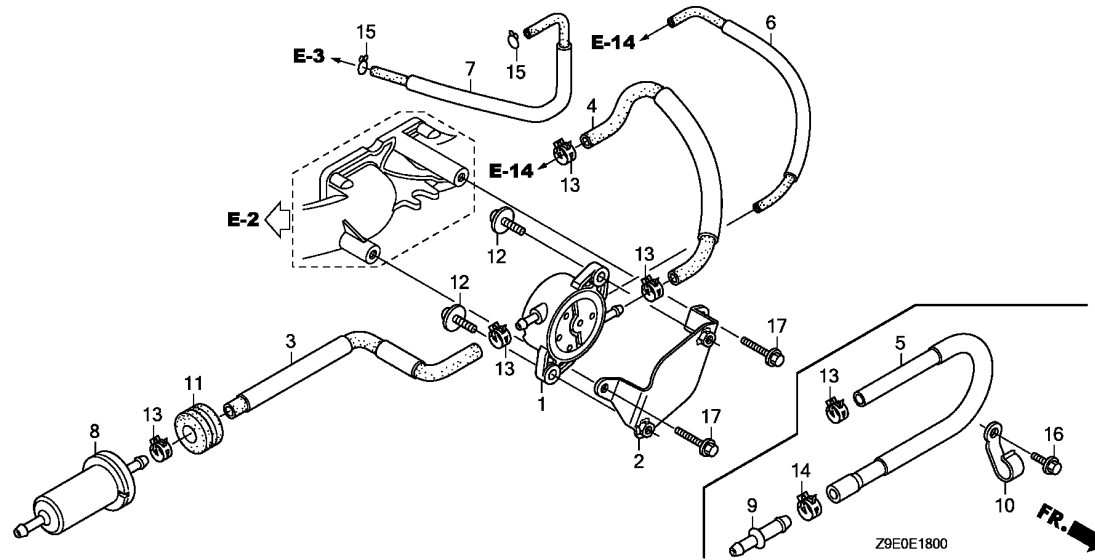
Ref. No.	L.O.N.	(Relative ref. Number) Description	F.R.T.
1	3131C5	MUFFLER, EXHAUST	0.2
3	3131A1	ARRESTER, SPARK	0.1
.INCLUDES: Spark arrester check			

Ref. No.	Part No.	Description	Reqd. QTY			Serial No.	Parts catalogue code
			GX 630R	GX 660R	GX 690R		
1	18310-Z6L-801	MUFFLER COMP. (HIGH-L)	1	-	-	-----	VD,VXD
2	18321-ZJ1-010	PROTECTOR, MUFFLER (HIGH) (FUTABA)	1	-	-	-----	VD,VXD
3	18355-ZJ1-000	ARRESTER, SPARK	1	-	-	-----	VD,VXD
4	93901-250J0	SCREW, TAPPING, 5X8	1	-	-	-----	VD,VXD
5	92900-08045-0B	BOLT, STUD, 8X45	1	-	-	-----	VD,VXD
6	92900-08060-0B	BOLT, STUD, 8X60	1	-	-	-----	VD,VXD
7	94050-08000	NUT, FLANGE, 8MM	2	-	-	-----	VD,VXD
8	95701-06008-00	BOLT, FLANGE, 6X8	6	-	-	-----	VD,VXD
9	95701-08020-00	BOLT, FLANGE, 8X20	2	-	-	-----	VD,VXD

E-18

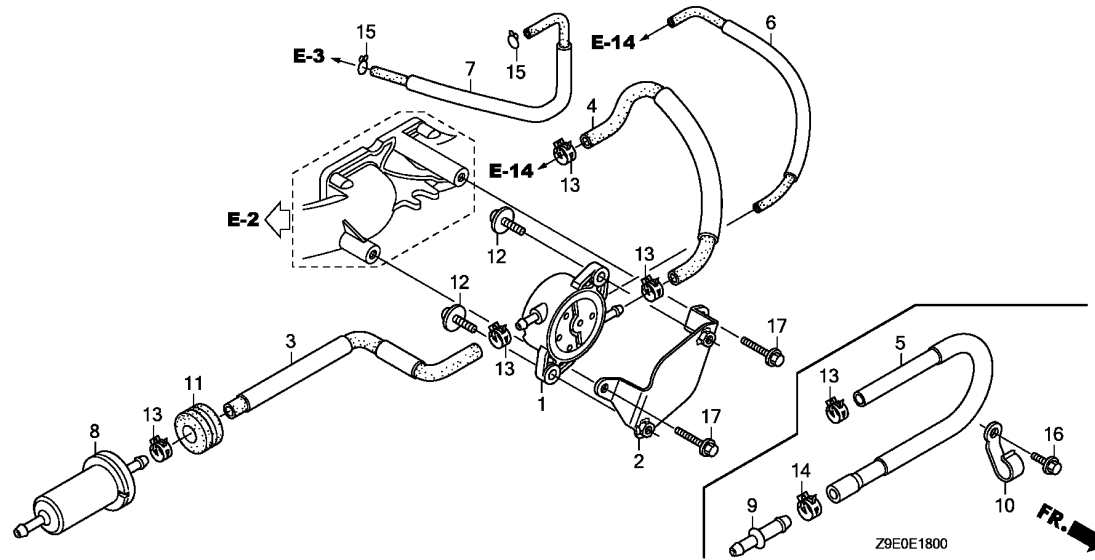
FUEL PUMP

E 4

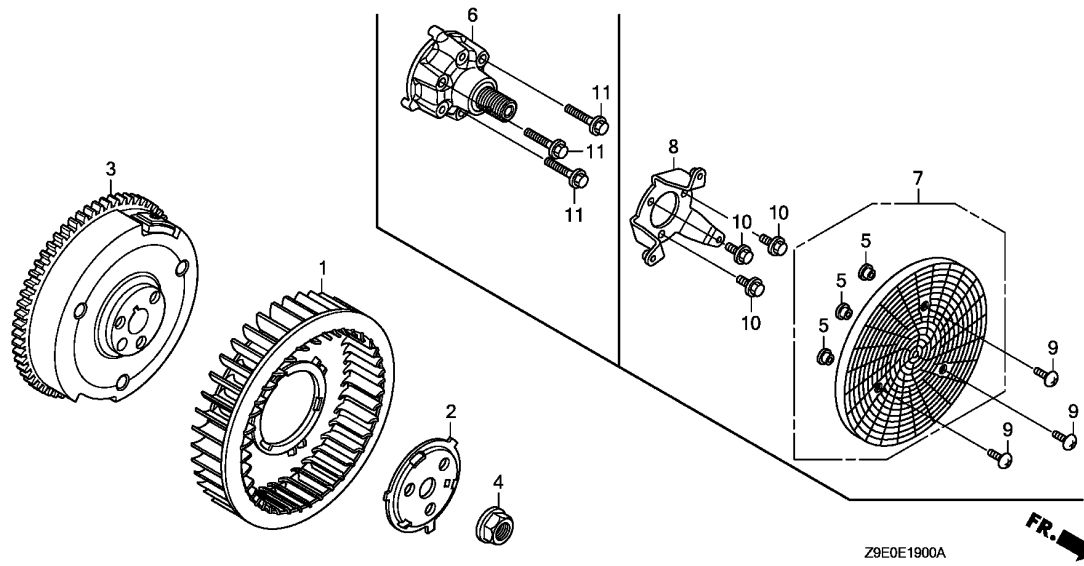


Ref. No.	L.O.N.	(Relative ref. Number) Description	F.R.T.
1	3101H9	PUMP, FUEL	0.3
3	3101L0	TUBE A, FUEL	0.2
4	3101F7	TUBE B, FUEL	0.2
6	3111Q5	TUBE, PURGE	0.2
7	3101E5	TUBE, DIAPHRAGM	0.2
8	3101H8	STRAINER, FUEL	0.1

Ref. No.	Part No.	Description	Reqd. QTY			Serial No.	Parts catalogue code
			GX 630R	GX 660R	GX 690R		
1	16700-Z6L-003	PUMP ASSY., FUEL	1	-	-	-----	QAB,QAF,QAF1,QAF3,QDF,QDF2,QDW,QWF2,QXA,QXC2,QXF,QXF4,QXF5,QXF6 QYF,QZA,QZA5,QZB,QZB2,QZB3,QZE,QZE3,QZE4,QZF8,VAF6,VD,VDB2,VDC2 VEP4,VXA1,VXD,VXD4,VXD8,VXE1,VXE2,VXE8,VXF,VXF4,VXP2,VZA,VZA2
2	16711-Z6L-000	STAY, FUEL PUMP	1	1	1	-----	QAB,QAF,QAF1,QAF3,QDF,QDF2,QDW,QWF2,QXA,QXC2,QXF,QXF4,QXF5,QXF6 QYF,QZA,QZA5,QZB,QZB2,QZB3,QZE,QZE3,QZE4,QZF8,VAF6,VD,VDB2,VDC2 VEP4,VXA1,VXD,VXD4,VXD8,VXE1,VXE2,VXE8,VXF,VXF4,VXP2,VZA,VZA2
3	16850-Z6L-000	TUBE COMP. A, FUEL (FKM)	1	1	1	-----	QAB,QAF,QAF1,QAF3,QDF,QDF2,QDW,QWF2,QXA,QXC2,QXF,QXF4,QXF5,QXF6 QYF,QZA,QZA5,QZB,QZB2,QZB3,QZE,QZE3,QZE4,QZF8,VAF6,VD,VDB2,VDC2 VEP4,VXA1,VXD,VXD4,VXD8,VXE1,VXE2,VXE8,VXF,VXF4,VXP2,VZA,VZA2
4	16860-Z6L-000	TUBE COMP. B, FUEL (FKM)	1	-	-	-----	QAB,QAF,QAF1,QAF3,QDF,QDF2,QDW,QWF2,QXA,QXC2,QXF,QXF4,QXF5,QXF6 QYF,QZA,QZA5,QZB,QZB2,QZB3,QZE,QZE3,QZE4,QZF8,VAF6,VD,VDB2,VDC2 VEP4,VXA1,VXD,VXD4,VXD8,VXE1,VXE2,VXE8,VXF,VXF4,VXP2,VZA,VZA2
5	16860-Z6L-800	TUBE COMP. B, FUEL (FKM)	1	-	-	-----	QXB1,QYD
6	16870-Z6L-000	TUBE, PURGE	1	-	-	-----	QAB,QAF,QAF1,QAF3,QDF,QDF2,QDW,QWF2,QXA,QXC2,QXF,QXF4,QXF5,QXF6 QYF,QZA,QZA5,QZB,QZB2,QZB3,QZE,QZE3,QZE4,QZF8,VAF6,VD,VDB2,VDC2 VEP4,VXA1,VXD,VXD4,VXD8,VXE1,VXE2,VXE8,VXF,VXF4,VXP2,VZA,VZA2
7	16882-Z6L-000	TUBE, DIAPHRAGM	1	-	-	-----	QAB,QAF,QAF1,QAF3,QDF,QDF2,QDW,QWF2,QXA,QXC2,QXF,QXF4,QXF5,QXF6 QYF,QZA,QZA5,QZB,QZB2,QZB3,QZE,QZE3,QZE4,QZF8,VAF6,VD,VDB2,VDC2 VEP4,VXA1,VXD,VXD4,VXD8,VXE1,VXE2,VXE8,VXF,VXF4,VXP2,VZA,VZA2
8	16910-Z6L-003	STRAINER COMP., FUEL	1	1	1	-----	QXB1,QYD
9	17526-MCA-000	JOINT, FUEL RETURN	1	-	-	-----	QXB1,QYD
10	55109-GAA-000	CLAMP, OIL HOSE	1	-	-	-----	QXB1,QYD
11	80152-958-680	RUBBER, RR. FENDER	1	1	1	-----	



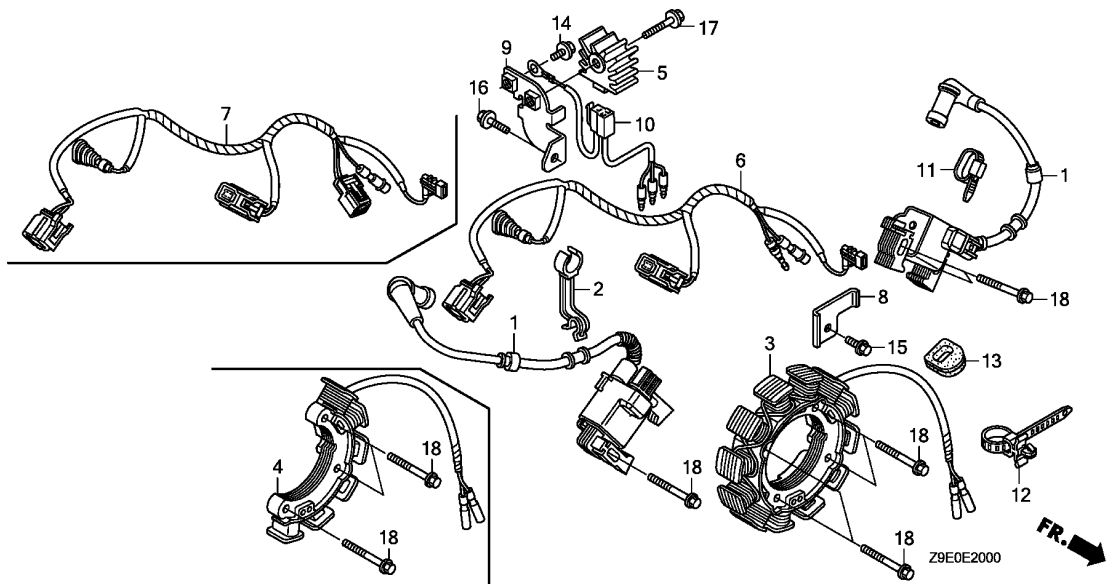
Ref. No.	Part No.	Description	Reqd. QTY			Serial No.	Parts catalogue code
			GX 630R	GX 660R	GX 690R		
12	93894-06016-00	SCREW-WASHER, 6X16	2	-	-	-----	QAB,QAF,QAF1,QAF3,QDF,QDF2,QDW,QWF2,QXA,QXC2,QXF,QXF4,QXF5,QXF6 QYF,QZA,QZA5,QZB,QZB2,QZB3,QZE,QZE3,QZE4,QZF8,VAF6,VD,VDB2,VDC2 VEP4,VXA1,VXD,VXD4,VXD8,VXE1,VXE2,VXE8,VXF,VXF4,VXP2,VZA,VZA2
13	95002-41000-08	CLAMP, TUBE (D10)	-	2	2	-----	QXB1,QYD
			3	-	-	-----	QAB,QAF,QAF1,QAF3,QDF,QDF2,QDW,QWF2,QXA,QXC2,QXF,QXF4,QXF5,QXF6 QYF,QZA,QZA5,QZB,QZB2,QZB3,QZE,QZE3,QZE4,QZF8,VAF6,VD,VDB2,VDC2 VEP4,VXA1,VXD,VXD4,VXD8,VXE1,VXE2,VXE8,VXF,VXF4,VXP2,VZA,VZA2
14	95002-41200-08	CLAMP, TUBE (D12)	-	4	4	-----	QXB1,QYD
			1	-	-	-----	QAB,QAF,QAF1,QAF3,QDF,QDF2,QDW,QWF2,QXA,QXC2,QXF,QXF4,QXF5,QXF6 QYF,QZA,QZA5,QZB,QZB2,QZB3,QZE,QZE3,QZE4,QZF8,VAF6,VD,VDB2,VDC2 VEP4,VXA1,VXD,VXD4,VXD8,VXE1,VXE2,VXE8,VXF,VXF4,VXP2,VZA,VZA2
15	95002-70000	CLIP, TUBE (C11)	2	-	-	-----	QAB,QAF,QAF1,QAF3,QDF,QDF2,QDW,QWF2,QXA,QXC2,QXF,QXF4,QXF5,QXF6 QYF,QZA,QZA5,QZB,QZB2,QZB3,QZE,QZE3,QZE4,QZF8,VAF6,VD,VDB2,VDC2 VEP4,VXA1,VXD,VXD4,VXD8,VXE1,VXE2,VXE8,VXF,VXF4,VXP2,VZA,VZA2
16	95701-06012-00	BOLT, FLANGE, 6X12	-	2	2	-----	QXB1,QYD
			1	-	-	-----	QAB,QAF,QAF1,QAF3,QDF,QDF2,QDW,QWF2,QXA,QXC2,QXF,QXF4,QXF5,QXF6 QYF,QZA,QZA5,QZB,QZB2,QZB3,QZE,QZE3,QZE4,QZF8,VAF6,VD,VDB2,VDC2 VEP4,VXA1,VXD,VXD4,VXD8,VXE1,VXE2,VXE8,VXF,VXF4,VXP2,VZA,VZA2
17	95701-06014-00	BOLT, FLANGE, 6X14	2	-	-	-----	QAB,QAF,QAF1,QAF3,QDF,QDF2,QDW,QWF2,QXA,QXC2,QXF,QXF4,QXF5,QXF6 QYF,QZA,QZA5,QZB,QZB2,QZB3,QZE,QZE3,QZE4,QZF8,VAF6,VD,VDB2,VDC2 VEP4,VXA1,VXD,VXD4,VXD8,VXE1,VXE2,VXE8,VXF,VXF4,VXP2,VZA,VZA2
			-	2	2	-----	



Ref. No.	L.O.N.	(Relative ref. Number) Description	F.R.T.
1	1141G7	FAN, ENGINE COOLING	0.7
3	2161B5	FLYWHEEL	0.8
6	2141H3	SHAFT, POWER TAKE OFF :FRONT ..	0.3
7	6201A5	GRID, SCREEN	0.1

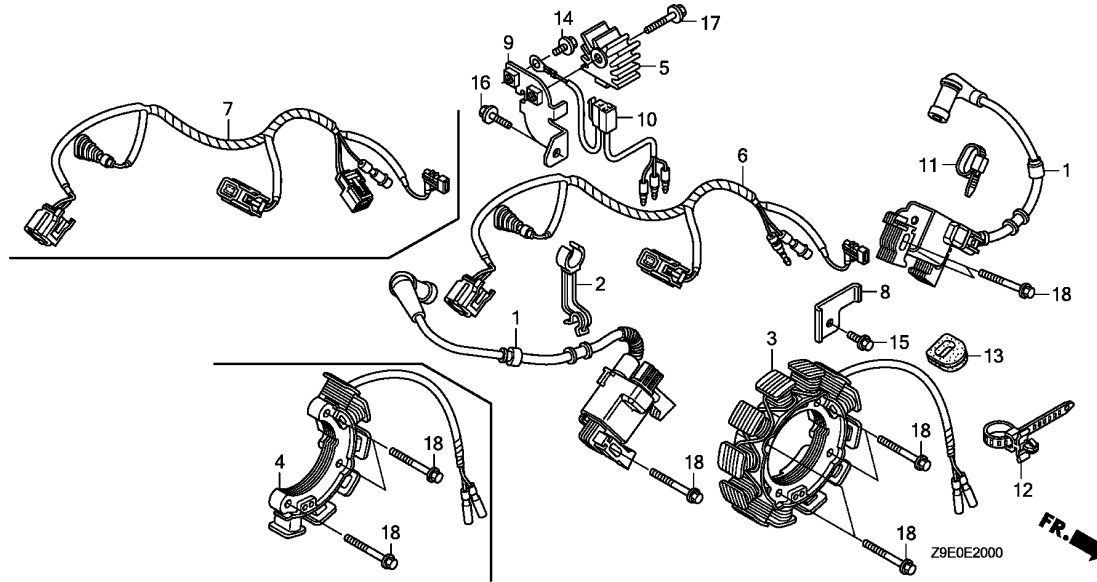
Ref. No.	Part No.	Description	Reqd. QTY			Serial No.	Parts catalogue code
			GX 630R	GX 660R	GX 690R		
1	19511-Z6L-000	FAN, COOLING	1	1	1		
2	19513-Z6L-000	PLATE, COOLING FAN SETTING ..	1	1	1		
3	31110-Z6L-003	FLYWHEEL COMP.	1	1	1		
4	90201-Z6L-000	NUT, SPECIAL (20MM)	1	1	1		
5	19619-Z0A-300	COLLAR, FAN COVER	3	-	-	-----	QYF
6	23311-Z6L-820	SHAFT, FR. P.T.O.	1	-	-	-----	QAF3
7	28452-Z6L-800	GRID, SCREEN	1	-	-	-----	QYF
8	28454-Z6L-800	HOLDER, SCREEN GRID	1	-	-	-----	QYF
9	90131-S0X-A00	SCREW, TRUSS, 6X16	3	-	-	-----	QYF
10	95701-08018-00	BOLT, FLANGE, 8X18	3	-	-	-----	QYF
11	95701-08050-00	BOLT, FLANGE, 8X50	3	-	-	-----	QAF3





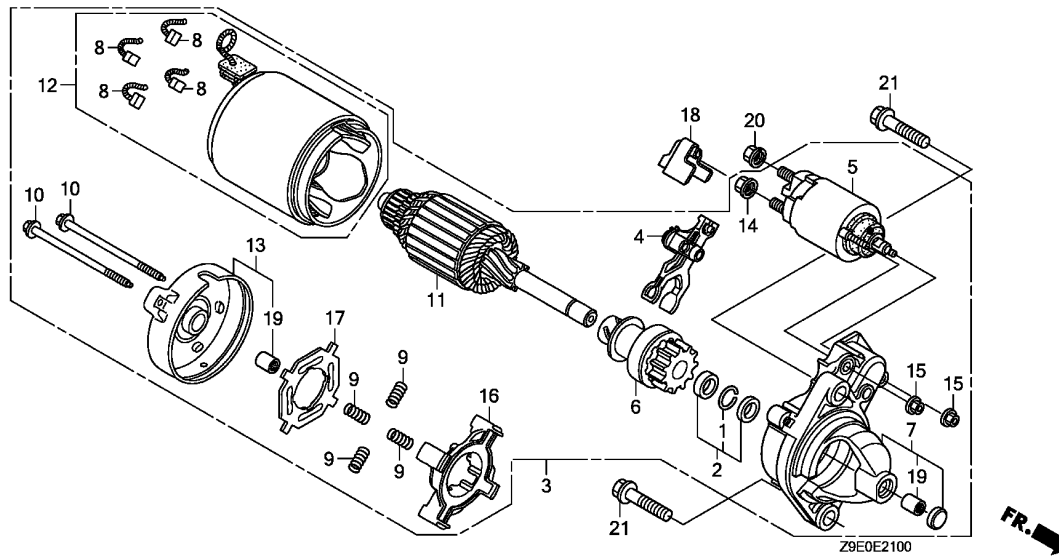
Ref. No.	L.O.N.	(Relative ref. Number) Description	F.R.T.
1	6141A3	COIL, IGNITION :LEFT	0.5
	6141A4	COIL, IGNITION :RIGHT	0.4
3		(4)	
	6131C3	COIL, CHARGE	0.9
5	6131B7	RECTIFIER, REGULATOR	0.2
6		(7)	
	6111C0	HARNESS, ENGINE WIRE	0.3

Ref. No.	Part No.	Description	Reqd. QTY			Serial No.	Parts catalogue code
			GX 630R	GX 660R	GX 690R		
1	30500-Z6L-003	COIL ASSY., IGNITION	2	2	2		
2	30551-Z6L-000	CLAMP, HIGH TENSION CORD	1	1	1		
3	31630-Z6L-003	COIL ASSY., CHARGE (17A)	1	1	1	-----	BAF,BDW,BXF,BXF5,QAB,QAF,QAF1,QAF3,QDF,QDF2,QDW,QWF2,QXB1,QXFQXF4,QXF5,QXF6,QYD,QYF,QZA5,QZB,QZB2,QZB3,QZF8,TAF,TDW,TXA2,TFXTXF4,TFX5,TFX7,TFX9,VAF6,VDC2,VXF,VXF4
4	31630-Z6L-801	COIL ASSY., CHARGE (2.7A) ...	1	1	1	-----	QXA,QXC2,QZA,QZE,QZE3,QZE4,VD,VDB2,VEP4,VXA1,VXD,VXD4,VXD8,VXE1VXE2,VXE4,VXE8,VXP2,VZA,VZA2
5	31750-735-013	RECTIFIER COMP., REGULATOR (5A)	1	1	1	-----	QXA,QXC2,QZA,QZE,QZE3,QZE4,VD,VDB2,VEP4,VXA1,VXD,VXD4,VXD8,VXE1VXE2,VXE4,VXE8,VXP2,VZA,VZA2
6	32110-Z6L-000	HARNESS ASSY., ENGINE WIRE ..	1	1	1	-----	BDW,QAB,QAF,QAF3,QDF2,QDW,QWF2,QYD,QYF,TDW,VAF6,VDC2
	32110-Z6L-800	1	1	1	-----	QXB1,TFX9,VD,VDB2,VXD,VXE8,VXF4,VXP2
7	32110-Z6L-810	HARNESS ASSY., ENGINE WIRE ..	1	1	1	-----	QXA,QXC2,QZA,QZE,QZE3,QZE4,VEP4,VXA1,VXD4,VXD8,VXE1,VXE2,VXE4,VZAVZA2
	32110-Z6L-830	1	1	1	-----	BXF,BXF5,QXF,QXF4,QXF5,QXF6,QZA5,QZB,QZB2,QZB3,QZF8,TXA2,TFX,TFX4TFX5,TFX7,VXF
	32110-Z6L-840	1	1	1	-----	BAF,QAF1,QDF,TAF
8	32114-Z6L-000	BRACKET, HARNESS	1	1	1		
9	32115-Z6L-000	BRACKET, REGULATOR RECTIFIER	1	1	1	-----	QXA,QXC2,QZA,QZE,QZE3,QZE4,VD,VDB2,VEP4,VXA1,VXD,VXD4,VXD8,VXE1VXE2,VXE4,VXE8,VXP2,VZA,VZA2
10	32183-Z6L-000	HARNESS ASSY., REGULATOR RECTIFIER	1	1	1	-----	QXA,QXC2,QZA,QZE,QZE3,QZE4,VD,VDB2,VEP4,VXA1,VXD,VXD4,VXD8,VXE1VXE2,VXE4,VXE8,VXP2,VZA,VZA2
11	90650-KV6-003	BAND, WIRE, 95MM	1	1	1		
12	90672-SB2-003	STRAP, CABLE, 105MM(BLACK) ..	1	1	1	-----	BDW,QAB,QAF,QAF3,QDF2,QDW,QWF2,QXB1,QYD,QYF,TDW,TFX9,VAF6,VD,VDB2VDC2,VXD,VXE8,VXF4,VXP2
13	91601-Z6L-000	GROMMET, CORD	1	1	1		



Ref. No.	Part No.	Description	Reqd. QTY			Serial No.	Parts catalogue code
			GX 630R	GX 660R	GX 690R		
14	95701-06008-00	BOLT, FLANGE, 6X8	1	1	1	-----	QXA,QXC2,QZA,QZE,QZE3,QZE4,VD,VDB2,VEP4,VXA1,VXD,VXD4,VXD8,VXE1,VXE2,VXE4,VXE8,VXP2,VZA,VZA2
15	95701-06012-00	BOLT, FLANGE, 6X12	1	1	1	-----	
16	95701-06014-00	BOLT, FLANGE, 6X14	1	1	1	-----	QXA,QXC2,QZA,QZE,QZE3,QZE4,VD,VDB2,VEP4,VXA1,VXD,VXD4,VXD8,VXE1,VXE2,VXE4,VXE8,VXP2,VZA,VZA2
17	95701-06030-00	BOLT, FLANGE, 6X30	1	1	1	-----	QXA,QXC2,QZA,QZE,QZE3,QZE4,VD,VDB2,VEP4,VXA1,VXD,VXD4,VXD8,VXE1,VXE2,VXE4,VXE8,VXP2,VZA,VZA2
18	95701-06032-00	BOLT, FLANGE, 6X32	7	7	7	-----	QXA,QXC2,QZA,QZE,QZE3,QZE4,VD,VDB2,VEP4,VXA1,VXD,VXD4,VXD8,VXE1,VXE2,VXE4,VXE8,VXP2,VZA,VZA2
			8	8	8	-----	BAF,BDW,BXF,BXF5,QAB,QAF,QAF1,QAF3,QDF,QDF2,QDW,QWF2,QXB1,QXF,QXF4,QXF5,QXF6,QYD,QYF,QZA5,QZB,QZB2,QZB3,QZF8,TAF,TDW,TXA2,TXF,TXF4,TXF5,TXF7,TXF9,VAF6,VDC2,VXF,VXF4

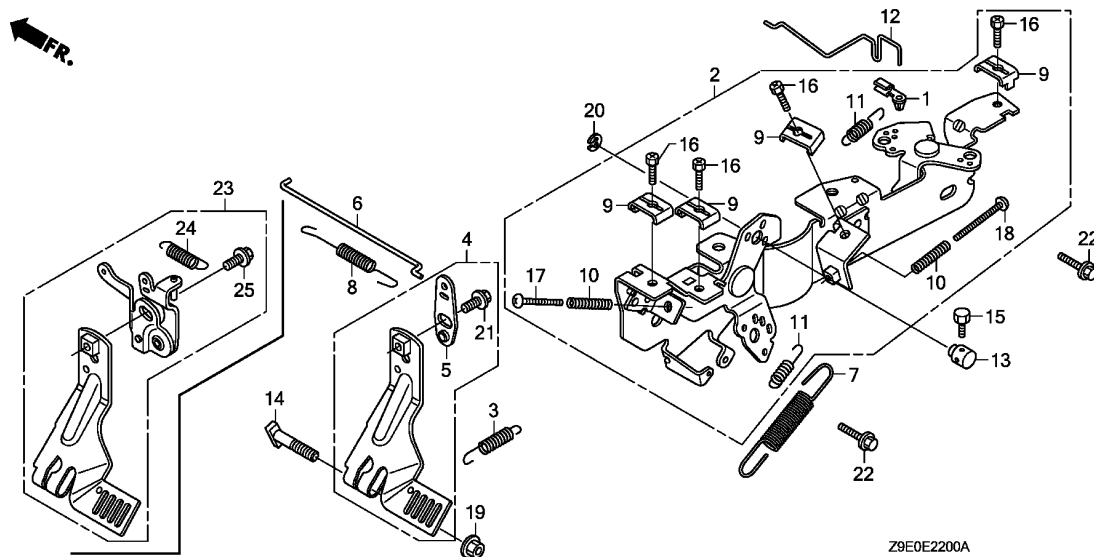




Ref. No.	L.O.N.	(Relative ref. Number) Description	F.R.T.
3	6121D5	MOTOR, STARTER	0.2
5	6121C9	SWITCH, STARTER MAGNETIC	0.4
6	6121B0	CLUTCH, OVERRUNNING	0.6
8	6121A9	BRUSH, STARTER	0.5
11	6121A0	ARMATURE, STARTER	0.7
12	6121D1	YOKE, STARTER	0.4
16	(9)		
	6121B6	HOLDER, STARTER BRUSH	0.3

2

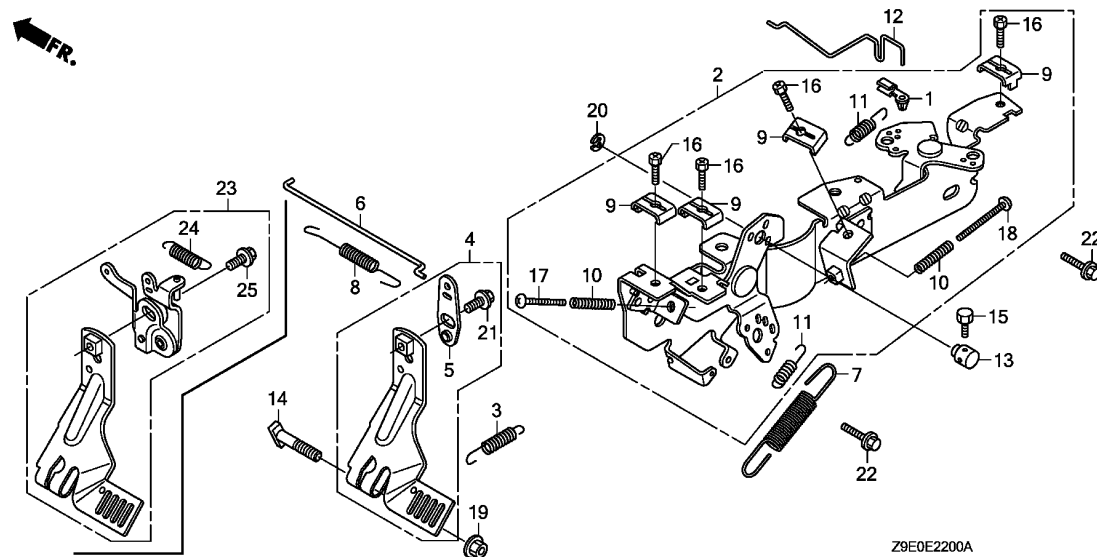
Ref. No.	Part No.	Description	Reqd. QTY			Serial No.	Parts catalogue code
			GX 630R	GX 660R	GX 690R		
1	30201-PH9-004	RING, SNAP (DENSO)	1	1	1		
2	30202-PZ1-003	COLLAR SET, CLUTCH STOP	1	1	1		
3	31200-Z6L-003	MOTOR ASSY., STARTER	1	1	1		
4	31203-PH9-004	LEVER, PINION DRIVE	1	1	1		
5	31204-ZJ1-H02	SWITCH ASSY., MAGNET	1	1	1		
6	31207-ZE9-H01	CLUTCH COMP., OVERRUNNING ...	1	1	1		
7	31208-Z6L-003	HOUSING COMP., DRIVE SIDE ...	1	1	1		
8	31211-PH9-004	BRUSH	4	4	4		
9	31212-PH9-004	SPRING, BRUSH	4	4	4		
10	31214-PH9-004	BOLT, THROUGH	2	2	2		
11	31217-Z0A-003	ARMATURE COMP.	1	1	1		
12	31218-P64-N01	YOKE COMP.	1	1	1		
13	31219-Z6L-003	FRAME COMP., COMMUTATOR END -	1	1	1		
14	31220-PH9-004	NUT, HEX., 8MM	1	1	1		
15	31223-PA0-006	NUT, HEX.	2	2	2		
16	31231-PH9-004	HOLDER, BRUSH	1	1	1		
17	31233-PH9-004	INSULATOR, BRUSH HOLDER	1	1	1		
18	31234-Z6L-000	COVER, TERMINAL	1	1	1		
19	91002-ZG4-801	BEARING A	2	2	2		
20	94070-08080	NUT-WASHER, 8MM	1	1	1		
21	95701-10040-00	BOLT, FLANGE, 10X40	2	2	2		



Ref. No.	L.O.N.	(Relative ref. Number) Description	F.R.T.
2	1161A5	CONTROL, THROTTLE/GOVERNOR ...	0.4
4	1161A0	ARM, GOVERNOR	0.3
6	1161B1	ROD, GOVERNOR	0.2
7	1161C5	SPRING, GOVERNOR	0.1
8	1161C2	SPRING, THROTTLE RETURN	0.2

Ref. No.	Part No.	Description	Reqd. QTY			Serial No.	Parts catalogue code
			GX 630R	GX 660R	GX 690R		
1	16263-Z0G-010	JOINT, ROD	1	1	1		
2	16500-Z6L-000	CONTROL ASSY.	1	1	1	-----	BAF,BDW,BXF,BXF5,QAB,QAF,QAF1,QAF3,QDF,QDF2,QDW,QXA,QXB1,QXC2,QXF4,QXF5,QXF6,QYD,QYF,QZA,QZA5,QZB,QZB2,QZB3,QZE,QZE3,QZE4,QZF8 TAF,TDW,TXA2,TFX,TXF4,TFX5,TFX7,TFX9,VAF6,VEP4,VXA1,VXE8,VXF,VXF4 VZA
	16500-Z6L-800	1	1	1	-----	QWF2,VD,VDB2,VDC2,VXD,VXD4,VXD8,VXE1,VXE2,VXE4,VXP2,VZA2
3	16534-Z6L-000	SPRING, STARTER	1	1	1		
4	16550-Z6L-000	ARM COMP., GOVERNOR	1	1	1	-----	BAF,BDW,BXF,BXF5,QAB,QAF,QAF1,QAF3,QDF,QDF2,QDW,QXA,QXB1,QXC2,QXF4,QXF5,QXF6,QYD,QYF,QZA,QZA5,QZB,QZB2,QZB3,QZE,QZE3,QZE4,QZF8 TAF,TDW,TXA2,TFX,TXF4,TFX5,TFX7,TFX9,VAF6,VEP4,VXA1,VXD8,VXE1 VXE8,VXF,VXF4,VXP2,VZA
5	16553-Z6L-000	ARM, SUB	1	1	1	-----	BAF,BDW,BXF,BXF5,QAB,QAF,QAF1,QAF3,QDF,QDF2,QDW,QXA,QXB1,QXC2,QXF4,QXF5,QXF6,QYD,QYF,QZA,QZA5,QZB,QZB2,QZB3,QZE,QZE3,QZE4,QZF8 TAF,TDW,TXA2,TFX,TXF4,TFX5,TFX7,TFX9,VAF6,VEP4,VXA1,VXD8,VXE1 VXE8,VXF,VXF4,VXP2,VZA
6	16555-Z6L-000	ROD, GOVERNOR	1	1	1		
7	16561-Z6L-000	SPRING, GOVERNOR	1	1	1		
8	16562-Z6L-000	SPRING, THROTTLE RETURN	1	1	1		
9	16576-891-000	HOLDER, CABLE	4	4	4		
10	16584-883-300	SPRING, CONTROL ADJUSTING ...	1	1	1	-----	QWF2,VD,VDB2,VDC2,VXD,VXD4,VXD8,VXE1,VXE2,VXE4,VXP2,VZA2
			2	2	2	-----	BAF,BDW,BXF,BXF5,QAB,QAF,QAF1,QAF3,QDF,QDF2,QDW,QXA,QXB1,QXC2,QXF4,QXF5,QXF6,QYD,QYF,QZA,QZA5,QZB,QZB2,QZB3,QZE,QZE3,QZE4,QZF8 TAF,TDW,TXA2,TFX,TXF4,TFX5,TFX7,TFX9,VAF6,VEP4,VXA1,VXE8,VXF,VXF4 VZA
11	16592-ZJ1-000	SPRING, CABLE RETURN	2	2	2		
12	16611-Z6L-000	ROD, CHOKE CONTROL	1	1	1		





Z9E0E2200A

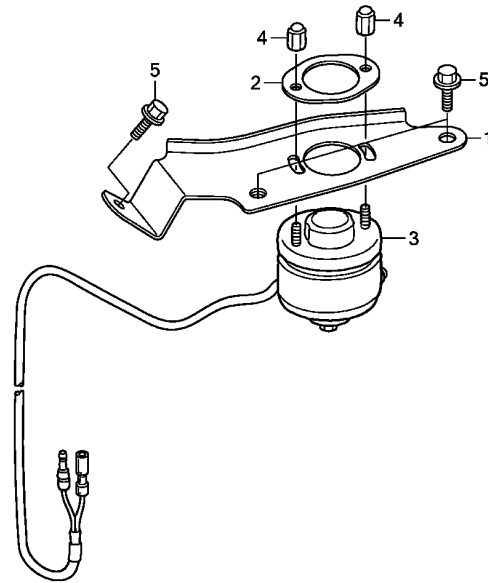
Ref. No.	Part No.	Description	Reqd. QTY			Serial No.	Parts catalogue code
			GX 630R	GX 660R	GX 690R		
13	16617-Z6L-000	HOLDER, CABLE	1	1	1	-----	BAF,BXF,QAF1,QDF,QXC2,QXF4,QXF6,QZA5,QZB,QZB2,QZB3,QZE,QZE4,QZF8 TAF,TXA2,TFX,TXF4,TFX7,VEP4,VXA1,VXF,VZA
14	90015-ZE3-790	BOLT, GOVERNOR ARM	1	1	1	-----	-----
15	92301-04006-0H	BOLT, RECESSED, 4X6	1	1	1	-----	BAF,BXF,QAF1,QDF,QXC2,QXF4,QXF6,QZA5,QZB,QZB2,QZB3,QZE,QZE4,QZF8 TAF,TXA2,TFX,TXF4,TFX7,VEP4,VXA1,VXF,VZA
16	92301-05016-0A	BOLT, RECESSED, 5X16	4	4	4	-----	-----
17	93500-05030-0A	SCREW, PAN, 5X30	1	1	1	-----	BAF,BDW,BXF,BXF5,QAB,QAF,QAF1,QAF3,QDF,QDF2,QDW,QXA,QXB1,QXC2,QXF QXF4,QXF5,QXF6,QYD,QYF,QZA,QZA5,QZB,QZB2,QZB3,QZE,QZE3,QZE4,QZF8 TAF,TDW,TXA2,TFX,TXF4,TFX5,TFX7,TFX9,VAF6,VEP4,VXA1,VXE8,VXF,VXF4 VZA
	93500-05045-0A	SCREW, PAN, 5X45	1	1	1	-----	QWF2,VD,VDB2,VDC2,VXD,VXD4,VXD8,VXE1,VXE2,VXE4,VXP2,VZA2
18	93500-05040-0A	SCREW, PAN, 5X40	1	1	1	-----	BAF,BDW,BXF,BXF5,QAB,QAF,QAF1,QAF3,QDF,QDF2,QDW,QXA,QXB1,QXC2,QXF QXF4,QXF5,QXF6,QYD,QYF,QZA,QZA5,QZB,QZB2,QZB3,QZE,QZE3,QZE4,QZF8 TAF,TDW,TXA2,TFX,TXF4,TFX5,TFX7,TFX9,VAF6,VEP4,VXA1,VXE8,VXF,VXF4 VZA
19	94050-06000	NUT, FLANGE, 6MM	1	1	1	-----	-----
20	94540-05018	E-RING, 5MM	1	1	1	-----	BAF,BXF,QAF1,QDF,QXC2,QXF4,QXF6,QZA5,QZB,QZB2,QZB3,QZE,QZE4,QZF8 TAF,TXA2,TFX,TXF4,TFX7,VEP4,VXA1,VXF,VZA
21	95701-06010-00	BOLT, FLANGE, 6X10	1	1	1	-----	BAF,BDW,BXF,BXF5,QAB,QAF,QAF1,QAF3,QDF,QDF2,QDW,QXA,QXB1,QXC2,QXF QXF4,QXF5,QXF6,QYD,QYF,QZA,QZA5,QZB,QZB2,QZB3,QZE,QZE3,QZE4,QZF8 TAF,TDW,TXA2,TFX,TXF4,TFX5,TFX7,TFX9,VAF6,VEP4,VXA1,VXD8,VXE1 VXE8,VXF,VXF4,VXP2,VZA
22	95701-06014-00	BOLT, FLANGE, 6X14	2	2	2	-----	-----
23	16550-Z6L-800	ARM COMP., GOVERNOR	1	1	1	-----	QWF2,VD,VDB2,VDC2,VXD,VXD4,VXE2,VXE4,VZA2
24	16592-Z6L-800	SPRING, RETURN	1	1	1	-----	QWF2,VD,VDB2,VDC2,VXD,VXD4,VXE2,VXE4,VZA2
25	96001-06010-00	BOLT, FLANGE, 6X10	1	1	1	-----	QWF2,VD,VDB2,VDC2,VXD,VXD4,VXE2,VXE4,VZA2

E-22-20

AUTO THROTTLE

E12

FR.

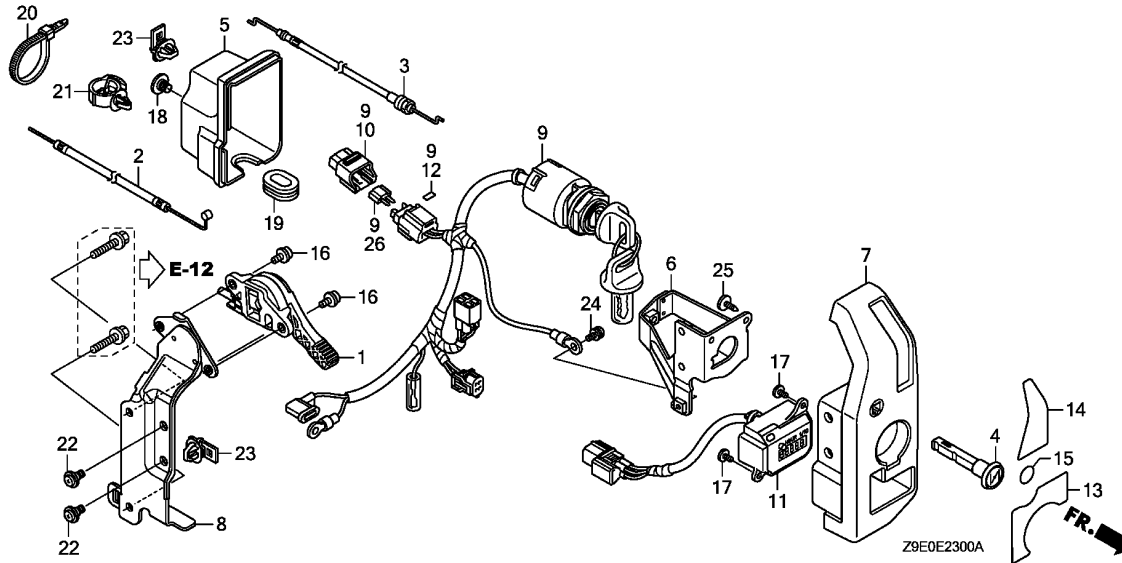


Z9E0E2220

Ref. No.	L.O.N.	(Relative ref. Number) Description	F.R.T.
3	6151A6	SOLENOID, ROTARY	0.3

Ref. No.	Part No.	Description	Reqd. QTY			Serial No.	Parts catalogue code
			GX 630R	GX 660R	GX 690R		
1	36335-Z6L-000	STAY, SOLENOID	1	1	1	-----	QWF2,VD,VDB2,VDC2,VXD,VXD4,VXE2,VXE4,VZA2
2	36337-Z6L-000	PLATE, SOLENOID	1	1	1	-----	QWF2,VD,VDB2,VDC2,VXD,VXD4,VXE2,VXE4,VZA2
3	36350-Z6L-003	SOLENOID ASSY., ROTARY	1	1	1	-----	QWF2,VD,VDB2,VDC2,VXD,VXD4,VXE2,VXE4,VZA2
4	90202-ZJ1-840	NUT, SPECIAL CAP	2	2	2	-----	QWF2,VD,VDB2,VDC2,VXD,VXD4,VXE2,VXE4,VZA2
5	95701-06014-00	BOLT, FLANGE, 6X14	3	3	3	-----	QWF2,VD,VDB2,VDC2,VXD,VXD4,VXE2,VXE4,VZA2

2

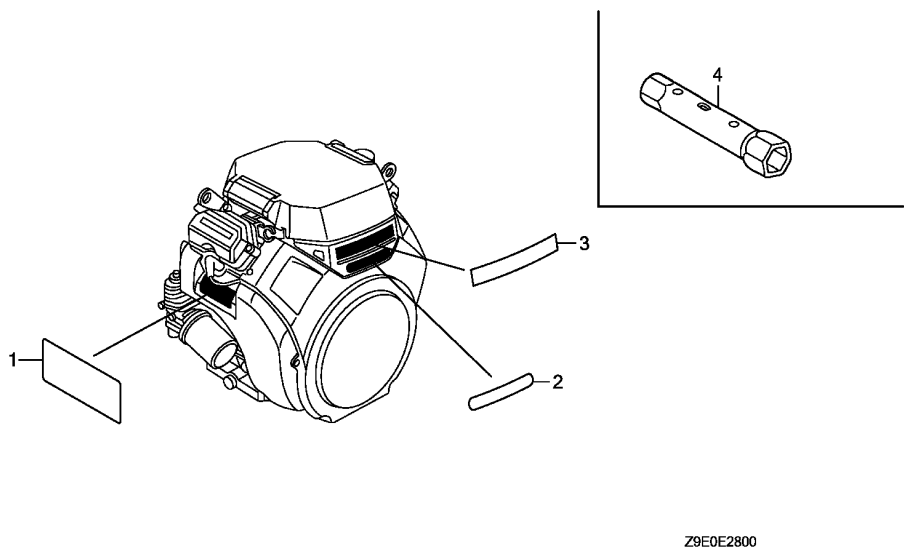


Ref. No.	L.O.N.	(Relative ref. Number) Description	F.R.T.
2	8111C8	CABLE, THROTTLE	0.2
3	8111A9	CABLE, CHOKE	0.2
9	6151E1	SWITCH, COMBINATION	0.4
11	812113	METER, HOUR	0.3

Ref. No.	Part No.	Description	Reqd. QTY			Serial No.	Parts catalogue code
			GX 630R	GX 660R	GX 690R		
1	17850-Z6L-003	LEVER ASSY., THROTTLE	1	1	1	-----	BAF,BXF,QAF1,QDF,QXC2,QXF4,QXF6,QZA5,QZB,QZB2,QZB3,QZE,QZE4,QZF8 TAF,TXA2,TFX,TFX4,TFX7,VEP4,VXA1,VXF,VZA
2	17910-Z6L-000	CABLE COMP., THROTTLE	1	1	1	-----	BAF,BXF,QAF1,QDF,QXC2,QXF4,QXF6,QZA5,QZB,QZB2,QZB3,QZE,QZE4,QZF8 TAF,TXA2,TFX,TFX4,TFX7,VEP4,VXA1,VXF,VZA
3	17950-Z6L-000	CABLE COMP., CHOKE	1	1	1	-----	BAF,BXF,BXF5,QAF1,QDF,QXC2,QXF,QXF4,QXF5,QXF6,QZA5,QZB,QZB2,QZB3 QZE,QZE4,QZF8,TAF,TXA2,TFX,TFX4,TFX5,TFX7,VEP4,VXA1,VXD4,VXD8 VXE1,VXE2,VXE4,VXF,VZA,VZA2
4	17951-ZV1-000	KNOB, CHOKE	1	1	1	-----	BAF,BXF,BXF5,QAF1,QDF,QXC2,QXF,QXF4,QXF5,QXF6,QZA5,QZB,QZB2,QZB3 QZE,QZE4,QZF8,TAF,TXA2,TFX,TFX4,TFX5,TFX7,VEP4,VXA1,VXD4,VXD8 VXE1,VXE2,VXE4,VXF,VZA,VZA2
5	31612-Z6L-000	COVER, CONTROL	1	1	1	-----	BAF,BXF,BXF5,QAF1,QDF,QXA,QXC2,QXF,QXF4,QXF5,QXF6,QZA,QZA5,QZB QZB2,QZB3,QZE,QZE3,QZE4,QZF8,TAF,TXA2,TFX,TFX4,TFX5,TFX7,VEP4 VXA1,VXD4,VXD8,VXE1,VXE2,VXE4,VXF,VZA,VZA2
6	31614-Z6L-000	BRACKET, SWITCH BOX	1	1	1	-----	BAF,BXF,BXF5,QAF1,QDF,QXA,QXC2,QXF,QXF4,QXF5,QXF6,QZA,QZA5,QZB QZB2,QZB3,QZE,QZE3,QZE4,QZF8,TAF,TXA2,TFX,TFX4,TFX5,TFX7,VEP4 VXA1,VXD4,VXD8,VXE1,VXE2,VXE4,VXF,VZA,VZA2
7	32346-Z6L-000	PANEL, CONTROL	1	1	1	-----	BAF,BXF,QAF1,QDF,QXC2,QXF4,QXF6,QZA5,QZB,QZB2,QZB3,QZE,QZE4,QZF8 TAF,TXA2,TFX,TFX4,TFX7,VEP4,VXA1,VXF,VZA
	32346-Z6L-800	1	1	1	-----	BXF5,QXA,QXF,QXF5,QZA,QZE3,TFX5,VXD4,VXD8,VXE1,VXE2,VXE4,VZA2
8	32347-Z6L-000	BRACKET, CONTROL BOX	1	1	1	-----	BAF,BXF,BXF5,QAF1,QDF,QXA,QXC2,QXF,QXF4,QXF5,QXF6,QZA,QZA5,QZB QZB2,QZB3,QZE,QZE3,QZE4,QZF8,TAF,TXA2,TFX,TFX4,TFX5,TFX7,VEP4 VXA1,VXD4,VXD8,VXE1,VXE2,VXE4,VXF,VZA,VZA2
9	35100-Z6L-003	SWITCH ASSY., COMBINATION ...	1	1	1	-----	BAF,BXF,BXF5,QAF1,QDF,QXA,QXC2,QXF,QXF4,QXF5,QXF6,QZA,QZA5,QZB QZB2,QZB3,QZE,QZE3,QZE4,QZF8,TAF,TXA2,TFX,TFX4,TFX5,TFX7,VEP4 VXA1,VXD4,VXD8,VXE1,VXE2,VXE4,VXF,VZA,VZA2
10	38216-Z2E-003	COVER ASSY., FUSE	1	1	1	-----	BAF,BXF,BXF5,QAF1,QDF,QXA,QXC2,QXF,QXF4,QXF5,QXF6,QZA,QZA5,QZB QZB2,QZB3,QZE,QZE3,QZE4,QZF8,TAF,TXA2,TFX,TFX4,TFX5,TFX7,VEP4 VXA1,VXD4,VXD8,VXE1,VXE2,VXE4,VXF,VZA,VZA2

Ref. No.	Part No.	Description	Reqd. QTY			Serial No.	Parts catalogue code
			GX 630R	GX 660R	GX 690R		
11	39700-Z6L-003	METER ASSY., HOUR	1	1	1	-----	BAF,BXF,BXF5,QAF1,QDF,QXA,QXC2,QXF,QXF4,QXF5,QXF6,QZA,QZA5,QZB,QZB2,QZB3,QZE,QZE3,QZE4,QZF8,TAF,TXA2,TFX,TFX4,TFX5,TFX7,VEP4,VXA1,VXD4,VXD8,VXE1,VXE2,VXE4,VXF,VZA,VZA2
12	87117-Z2E-800	LABEL, FUSE (30A)	1	1	1	-----	BAF,BXF,BXF5,QAF1,QDF,QXA,QXC2,QXF,QXF4,QXF5,QXF6,QZA,QZA5,QZB,QZB2,QZB3,QZE,QZE3,QZE4,QZF8,TAF,TXA2,TFX,TFX4,TFX5,TFX7,VEP4,VXA1,VXD4,VXD8,VXE1,VXE2,VXE4,VXF,VZA,VZA2
13	87501-Z6L-000	MARK, ENGINE SWITCH	1	1	1	-----	BXF,BXF5,QXA,QXC2,QXF,QXF4,QXF5,QXF6,QZA,QZA5,QZB,QZB2,QZB3,QZE,QZE3,QZE4,QZF8,TXA2,TFX,TFX4,TFX5,TFX7,VEP4,VXA1,VXD4,VXD8,VXE1,VXE2,VXE4,VXF,VZA,VZA2
	87501-Z6L-800	1	1	1	-----	BAF,QAF1,QDF,TAF
14	87502-Z6L-000	MARK, THROTTLE SWITCH	1	1	1	-----	BAF,BXF,QAF1,QDF,QXC2,QXF4,QXF6,QZA5,QZB,QZB2,QZB3,QZE,QZE4,QZF8,TAF,TXA2,TFX,TFX4,TFX7,VEP4,VXA1,VXF,VZA
	87502-Z6L-800	1	1	1	-----	BXF5,QXF,QXF5,TFX5,VXD4,VXD8,VXE1,VXE2,VXE4,VZA2
15	87506-Z6L-000	MARK, HOLE COVER	1	-	-	-----	QXA,QZA,QZE3
16	90011-Z0H-811	BOLT, SOCKET, 5X9	2	2	2	-----	BAF,BXF,QAF1,QDF,QXC2,QXF4,QXF6,QZA5,QZB,QZB2,QZB3,QZE,QZE4,QZF8,TAF,TXA2,TFX,TFX4,TFX7,VEP4,VXA1,VXF,VZA
17	90101-SP1-003	SCREW, TAPPING, 3X8(PO)	2	2	2	-----	BAF,BXF,BXF5,QAF1,QDF,QXA,QXC2,QXF,QXF4,QXF5,QXF6,QZA,QZA5,QZB,QZB2,QZB3,QZE,QZE3,QZE4,QZF8,TAF,TXA2,TFX,TFX4,TFX5,TFX7,VEP4,VXA1,VXD4,VXD8,VXE1,VXE2,VXE4,VXF,VZA,VZA2
18	90380-MB2-000	SCREW, SPECIAL, 6X8	1	1	1	-----	BAF,BXF,BXF5,QAF1,QDF,QXA,QXC2,QXF,QXF4,QXF5,QXF6,QZA,QZA5,QZB,QZB2,QZB3,QZE,QZE3,QZE4,QZF8,TAF,TXA2,TFX,TFX4,TFX5,TFX7,VEP4,VXA1,VXD4,VXD8,VXE1,VXE2,VXE4,VXF,VZA,VZA2
19	90601-Z6L-000	GROMMET, CONTROL BOX	1	1	1	-----	BAF,BXF,BXF5,QAF1,QDF,QXA,QXC2,QXF,QXF4,QXF5,QXF6,QZA,QZA5,QZB,QZB2,QZB3,QZE,QZE3,QZE4,QZF8,TAF,TXA2,TFX,TFX4,TFX5,TFX7,VEP4,VXA1,VXD4,VXD8,VXE1,VXE2,VXE4,VXF,VZA,VZA2
20	90650-KV6-003	BAND, WIRE, 95MM	1	1	1	-----	BAF,BXF,BXF5,QAF1,QDF,QXC2,QXF,QXF4,QXF5,QXF6,QZA5,QZB,QZB2,QZB3,QZE,QZE4,QZF8,TAF,TXA2,TFX,TFX4,TFX5,TFX7,VEP4,VXA1,VXD4,VXD8,VXE1,VXE2,VXE4,VXF,VZA,VZA2
21	90681-763-A01	CLIP, WIRE HARNESS	1	1	1	-----	BAF,BXF,BXF5,QAF1,QDF,QXA,QXC2,QXF,QXF4,QXF5,QXF6,QZA,QZA5,QZB,QZB2,QZB3,QZE,QZE3,QZE4,QZF8,TAF,TXA2,TFX,TFX4,TFX5,TFX7,VEP4,VXA1,VXD4,VXD8,VXE1,VXE2,VXE4,VXF,VZA,VZA2
22	91508-GN2-000	SCREW, PAN, 5X10.5	2	2	2	-----	BAF,BXF,BXF5,QAF1,QDF,QXA,QXC2,QXF,QXF4,QXF5,QXF6,QZA,QZA5,QZB,QZB2,QZB3,QZE,QZE3,QZE4,QZF8,TAF,TXA2,TFX,TFX4,TFX5,TFX7,VEP4,VXA1,VXD4,VXD8,VXE1,VXE2,VXE4,VXF,VZA,VZA2
23	91565-SEL-003	CLIP, COUPLER (BLACK)	2	2	2	-----	BAF,BXF,BXF5,QAF1,QDF,QXA,QXC2,QXF,QXF4,QXF5,QXF6,QZA,QZA5,QZB,QZB2,QZB3,QZE,QZE3,QZE4,QZF8,TAF,TXA2,TFX,TFX4,TFX5,TFX7,VEP4,VXA1,VXD4,VXD8,VXE1,VXE2,VXE4,VXF,VZA,VZA2
24	93893-05008-07	SCREW-WASHER, 5X8	1	1	1	-----	BAF,BXF,BXF5,QAF1,QDF,QXA,QXC2,QXF,QXF4,QXF5,QXF6,QZA,QZA5,QZB,QZB2,QZB3,QZE,QZE3,QZE4,QZF8,TAF,TXA2,TFX,TFX4,TFX5,TFX7,VEP4,VXA1,VXD4,VXD8,VXE1,VXE2,VXE4,VXF,VZA,VZA2
25	93913-25310	SCREW, TAPPING, 5X14(PO)	1	1	1	-----	BAF,BXF,BXF5,QAF1,QDF,QXA,QXC2,QXF,QXF4,QXF5,QXF6,QZA,QZA5,QZB,QZB2,QZB3,QZE,QZE3,QZE4,QZF8,TAF,TXA2,TFX,TFX4,TFX5,TFX7,VEP4,VXA1,VXD4,VXD8,VXE1,VXE2,VXE4,VXF,VZA,VZA2
26	98200-43000	FUSE, MINI (30A)	1	1	1	-----	BAF,BXF,BXF5,QAF1,QDF,QXA,QXC2,QXF,QXF4,QXF5,QXF6,QZA,QZA5,QZB,QZB2,QZB3,QZE,QZE3,QZE4,QZF8,TAF,TXA2,TFX,TFX4,TFX5,TFX7,VEP4,VXA1,VXD4,VXD8,VXE1,VXE2,VXE4,VXF,VZA,VZA2

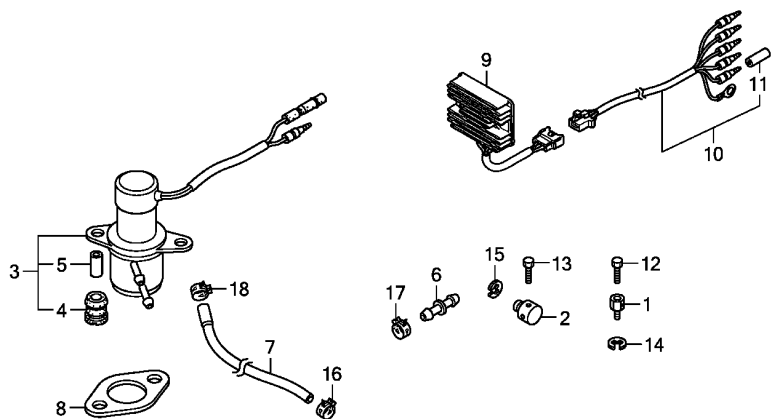




Ref. No.	L.O.N.	(Relative ref. Number) Description	F.R.T.
----------	--------	------------------------------------	--------

NO INFORMATION

Ref. No.	Part No.	Description	Reqd. QTY			Serial No.	Parts catalogue code
			GX 630R	GX 660R	GX 690R		
1	87516-ZH7-010	MARK, OPERATOR CAUTION (ENGLISH)(MADE IN JAPAN)	1	1	1	-----	BAF,BDW,BXF,QAB,QAF,QAF1,QAF3,QDF,QDF2,QDW,QWF2,QXA,QXB1,QXC2,QXF6,QYF,QZA,QZB,QZB2,QZB3,QZE,QZF8,TAF,TDW,TXA2,TXF,TXF7,VAF6,VDVDB2,VDC2,VXA1,VXD,VXD8,VXE1,VXE2,VZA,VZA2
	87519-ZH7-000	MARK, OPERATOR CAUTION (PICTOGRAPH)	1	1	1	-----	BXF5,QXF,QXF4,QXF5,QYD,QZA5,QZE3,QZE4,TXF4,TXF5,TXF9,VEP4,VXD4,VXE4,VXE8,VXF,VXF4,VXP2
2	87521-Z6N-000	EMBLEM (GX630)	1	-	-		
	87521-Z8N-000	EMBLEM (GX660)	-	1	-		
	87521-Z6L-000	EMBLEM (GX690)	-	-	1		
3	87531-Z6L-000	MARK, HONDA	1	1	1		
4	99004-16170	WRENCH, BOX (P16X17)	1	1	1	-----	BXF5,QXF,QXF5,QZE3,TXF4,TXF5,TXF9,VD,VEP4,VXD,VXD8,VXF



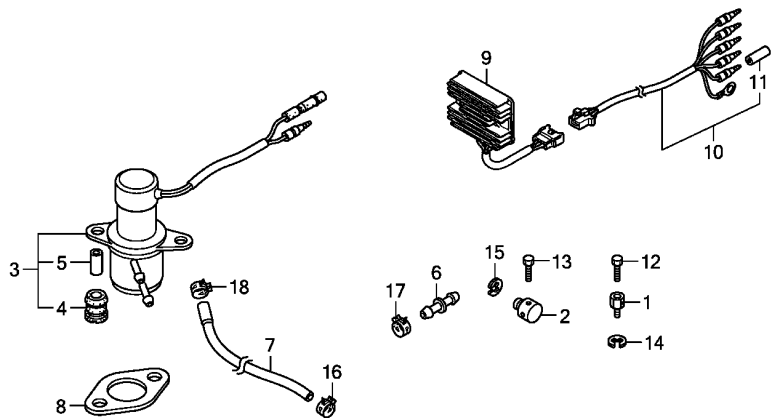
Z9E0E4000A

Ref. L.O.N. (Relative ref. Number) F.R.T.
No. Description

NO INFORMATION

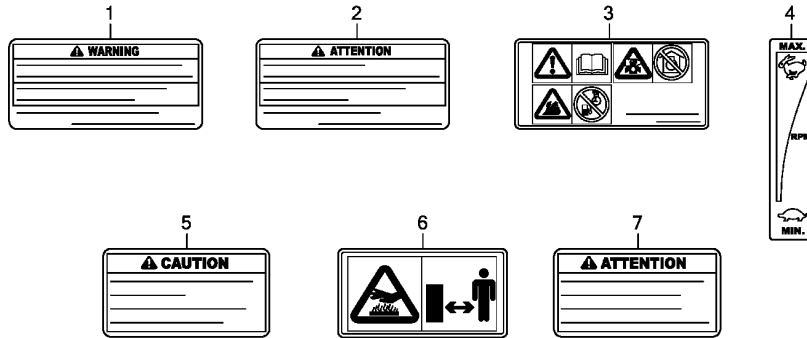
Ref. No.	Part No.	Description	Reqd. QTY			Serial No.	Parts catalogue code
			GX 630R	GX 660R	GX 690R		
1	16594-883-010	HOLDER, WIRE	1	1	1	-----	BDW,QAB,QAF,QAF3,QDF2,QDW,QWF2,QXA,QXB1,QYD,QYF,QZA,QZE3,TDW,TXF9 VAF6,VD,VDB2,VDC2,VXD,VXE8,VXF4,VXP2
2	16617-26L-000	HOLDER, CABLE	1	1	1	-----	BDW,BXF5,QAB,QAF,QAF3,QDF2,QDW,QXA,QXB1,QXF,QXF5,QYD,QYF,QZA,QZE3 TDW,TXF5,TXF9,VAF6,VXE8,VXF4
3	16700-758-003	PUMP ASSY., FUEL	1	-	-	-----	QYD
4	16711-679-000	RUBBER, FUEL PUMP MOUNTING ..	2	-	-	-----	QYD
5	16712-657-300	COLLAR, FUEL PUMP DISTANCE ..	2	-	-	-----	QYD
6	16958-GJ6-000	JOINT, FUEL TUBE	1	-	-	-----	QYD
7	17701-Z6C-832	HOSE, FUEL (FKM)	1	-	-	-----	VXD
	17732-Z6D-013	TUBE, FUEL SPECIAL (FKM)	1	-	-	-----	QYD
8	18333-ZE3-800	GASKET, EX. PIPE	2	2	2	-----	
9	31750-Z2E-803	RECTIFIER ASSY., REGULATOR (20A)	1	1	1	-----	BAF,BDW,BXF,BXF5,QAB,QAF,QAF1,QAF3,QDF,QDF2,QDW,QWF2,QXB1,QXF QXF4,QXF5,QXF6,QYD,QYF,QZA5,QZB,QZB2,QZB3,QZF8,TAF,TDW,TXA2,TXF TXF4,TXF5,TXF7,TXF9,VAF6,VDC2,VXF,VXF4
10	32105-Z6L-000	HARNESS ASSY., SUB WIRE	1	1	1	-----	BAF,BDW,BXF,BXF5,QAB,QAF,QAF1,QAF3,QDF,QDF2,QDW,QWF2,QXB1,QXF QXF4,QXF5,QXF6,QYD,QYF,QZA5,QZB,QZB2,QZB3,QZF8,TAF,TDW,TXA2,TXF TXF4,TXF5,TXF7,TXF9,VAF6,VDC2,VXF,VXF4
11	32824-ZV5-003	PLUG, OUTER CONNECTOR	1	1	1	-----	BAF,BDW,BXF,BXF5,QAB,QAF,QAF1,QAF3,QDF,QDF2,QDW,QWF2,QXB1,QXF QXF4,QXF5,QXF6,QYD,QYF,QZA5,QZB,QZB2,QZB3,QZF8,TAF,TDW,TXA2,TXF TXF4,TXF5,TXF7,TXF9,VAF6,VDC2,VXF,VXF4
12	92301-04006-0H	BOLT, RECESSED, 4X6	1	1	1	-----	BDW,QAB,QAF,QAF3,QDF2,QDW,QWF2,QXA,QXB1,QYD,QYF,QZA,QZE3,TDW,TXF9 VAF6,VD,VDB2,VDC2,VXD,VXE8,VXF4,VXP2
13	92301-04006-0H	BOLT, RECESSED, 4X6	1	1	1	-----	BDW,BXF5,QAB,QAF,QAF3,QDF2,QDW,QXA,QXB1,QXF,QXF5,QYD,QYF,QZA,QZE3 TDW,TXF5,TXF9,VAF6,VXE8,VXF4
14	94540-05018	E-RING, 5MM	1	1	1	-----	BDW,QAB,QAF,QAF3,QDF2,QDW,QWF2,QXA,QXB1,QYD,QYF,QZA,QZE3,TDW,TXF9 VAF6,VD,VDB2,VDC2,VXD,VXE8,VXF4,VXP2





Z9E0E4000A

Ref. No.	Part No.	Description	Reqd. QTY			Serial No.	Parts catalogue code
			GX 630R	GX 660R	GX 690R		
15	94540-05018	E-RING, 5MM	1	1	1	-----	BDW,BXF5,QAB,QAF,QAF3,QDF2,QDW,QXA,QXB1,QXF,QXF5,QYD,QYF,QZA,QZE3 TDW,TF5,TF9,VAF6,VXE8,VXF4
16	95002-40800-08	CLAMP, TUBE (D8)	1	-	-	-----	QYD,VXD
17	95002-40850-08	CLAMP, TUBE (D8.5)	1	-	-	-----	QYD
18	95002-40850-08	CLAMP, TUBE (D8.5)	1	-	-	-----	QYD
	95002-41050-08	CLAMP, TUBE (D10.5)	1	-	-	-----	VXD



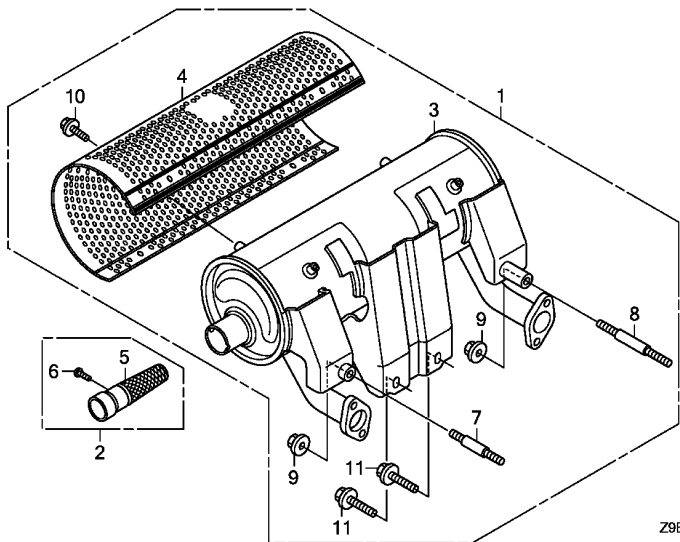
Z9E0E4001

Ref. L.O.N. (Relative ref. Number) F.R.T.
No. Description

NO INFORMATION

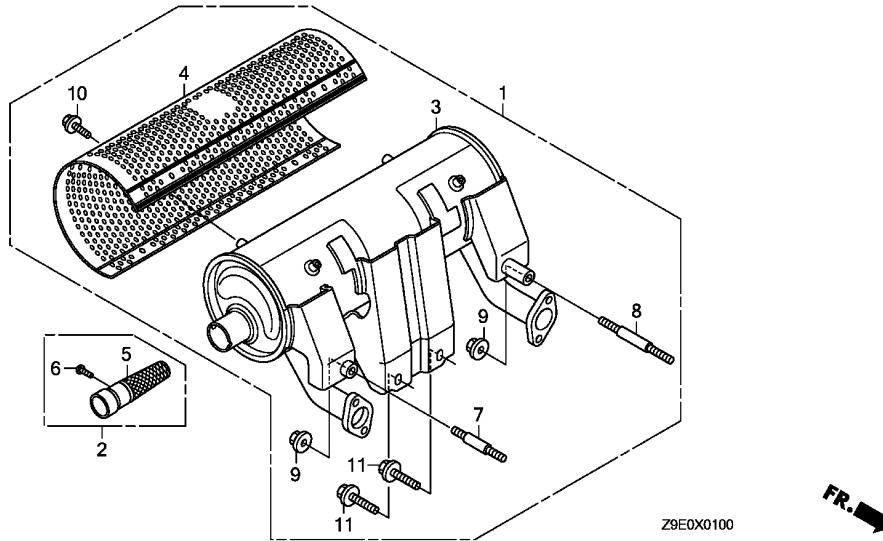
Ref. No.	Part No.	Description	Reqd. QTY			Serial No.	Parts catalogue code
			GX 630R	GX 660R	GX 690R		
1	87516-ZH7-010	MARK, OPERATOR CAUTION (ENGLISH)(MADE IN JAPAN)	1	1	1	-----	BXF5,QXF,QXF4,QXF5,QYD,QZA5,QZE3,QZE4,TFX4,TFX5,TFX9,VEP4,VXD4,VXE4,VXE8,VXF,VXF4,VXP2
2	87516-ZH7-801	MARK, OPERATOR CAUTION (FRENCH)(MADE IN JAPAN)	1	1	1	-----	
3	87519-ZH7-000	MARK, OPERATOR CAUTION (PICTOGRAPH)	1	1	1	-----	BAF,BDW,BXF,QAB,QAF,QAF1,QAF3,QDF,QDF2,QDW,QWF2,QXA,QXB1,QXC2,QXF6,QYF,QZA,QZB,QZB2,QZB3,QZE,QZF8,TAF,TDW,TXA2,TFX,TFX7,VAF6,VD,VDB2,VDC2,VXA1,VXD,VXD8,VXE1,VXE2,VZA,VZA2
4	87532-ZH7-800	MARK, THROTTLE INDICATION ...	1	-	1	-----	QDF2,QXB1,TDW
5	87539-Z0J-000	MARK, EX. CAUTION (ENGLISH) -	1	-	-	-----	VXE2
			(1)	-	-	-----	QZB,VD,VXD
			-	(1)	(1)	-----	QAB,QAF,QAF1,QAF3,QDF,QDF2,QDW,QWF2,QXA,QXB1,QXC2,QXF,QXF4,QXF5,QXF6,QYD,QYF,QZA,QZA5,QZB2,QZB3,QZE,QZE3,QZE4,QZF8,VAF6,VDB2,VDC2,VEP4,VXA1,VXD4,VXD8,VXE1,VXE2,VXE8,VXF,VXF4,VXP2,VZA,VZA2
6	87539-Z0J-800	MARK, EX. CAUTION (PICTOGRAPH)	(1)	(1)	(1)	-----	QZB,VD,VXD
7	87539-Z0J-810	MARK, EX. CAUTION (FRENCH) ..	(1)	-	-	-----	QAB,QAF,QAF1,QAF3,QDF,QDF2,QDW,QWF2,QXA,QXB1,QXC2,QXF,QXF4,QXF5,QXF6,QYD,QYF,QZA,QZA5,QZB2,QZB3,QZE,QZE3,QZE4,QZF8,VAF6,VDB2,VDC2,VEP4,VXA1,VXD4,VXD8,VXE1,VXE2,VXE8,VXF,VXF4,VXP2,VZA,VZA2
			-	(1)	(1)	-----	





Ref. No.	L.O.N.	(Relative ref. Number) Description	F.R.T.
1	3131C4	MUFFLER KIT	0.4
3	3131C5	MUFFLER, EXHAUST	0.2
5		(2)	
	3131A1	ARRESTER, SPARK	0.1
		.INCLUDES: Spark arrester check	

Ref. No.	Part No.	Description	Reqd. QTY			Serial No.	Parts catalogue code
			GX 630R	GX 660R	GX 690R		
1	06183-Z6L-010	MUFFLER KIT (HIGH-R)	(1)	-	-	-----	QAB,QAF,QAF1,QAF3,QDF,QDF2,QDW,QWF2,QXA,QXB1,QXC2,QXF,QXF4,QXF5 QXF6,QYD,QYF,QZA,QZA5,QZB2,QZB3,QZE,QZE3,QZE4,QZF8,VAF6,VDB2,VDC2 VEP4,VXA1,VXD4,VXD8,VXE1,VXE2,VXE8,VXF,VXF4,VXP2,VZA,VZA2
2	06185-Z6L-000	ARRESTER KIT (HIGH)	(1)	-	(1)	-----	QAB,QAF,QAF1,QAF3,QDF,QDF2,QDW,QWF2,QXA,QXB1,QXC2,QXF,QXF4,QXF5 QXF6,QYD,QYF,QZA,QZA5,QZB2,QZB3,QZE,QZE3,QZE4,QZF8,VAF6,VDB2,VDC2 VEP4,VXA1,VXD4,VXD8,VXE1,VXE2,VXE8,VXF,VXF4,VXP2,VZA,VZA2
3	18310-Z6L-003	MUFFLER COMP. (HIGH-R)	(1)	-	(1)	-----	QAB,QAF,QAF1,QAF3,QDF,QDF2,QDW,QWF2,QXA,QXB1,QXC2,QXF,QXF4,QXF5 QXF6,QYD,QYF,QZA,QZA5,QZB2,QZB3,QZE,QZE3,QZE4,QZF8,VAF6,VDB2,VDC2 VEP4,VXA1,VXD4,VXD8,VXE1,VXE2,VXE8,VXF,VXF4,VXP2,VZA,VZA2
4	18321-ZJ1-010	PROTECTOR, MUFFLER (HIGH) (FUTABA)	(1)	-	(1)	-----	QAB,QAF,QAF1,QAF3,QDF,QDF2,QDW,QWF2,QXA,QXB1,QXC2,QXF,QXF4,QXF5 QXF6,QYD,QYF,QZA,QZA5,QZB2,QZB3,QZE,QZE3,QZE4,QZF8,VAF6,VDB2,VDC2 VEP4,VXA1,VXD4,VXD8,VXE1,VXE2,VXE8,VXF,VXF4,VXP2,VZA,VZA2
5	18355-ZJ1-000	ARRESTER, SPARK	(1)	-	(1)	-----	QAB,QAF,QAF1,QAF3,QDF,QDF2,QDW,QWF2,QXA,QXB1,QXC2,QXF,QXF4,QXF5 QXF6,QYD,QYF,QZA,QZA5,QZB2,QZB3,QZE,QZE3,QZE4,QZF8,VAF6,VDB2,VDC2 VEP4,VXA1,VXD4,VXD8,VXE1,VXE2,VXE8,VXF,VXF4,VXP2,VZA,VZA2
6	93901-250J0	SCREW, TAPPING, 5X8	(1)	-	(1)	-----	QAB,QAF,QAF1,QAF3,QDF,QDF2,QDW,QWF2,QXA,QXB1,QXC2,QXF,QXF4,QXF5 QXF6,QYD,QYF,QZA,QZA5,QZB2,QZB3,QZE,QZE3,QZE4,QZF8,VAF6,VDB2,VDC2 VEP4,VXA1,VXD4,VXD8,VXE1,VXE2,VXE8,VXF,VXF4,VXP2,VZA,VZA2



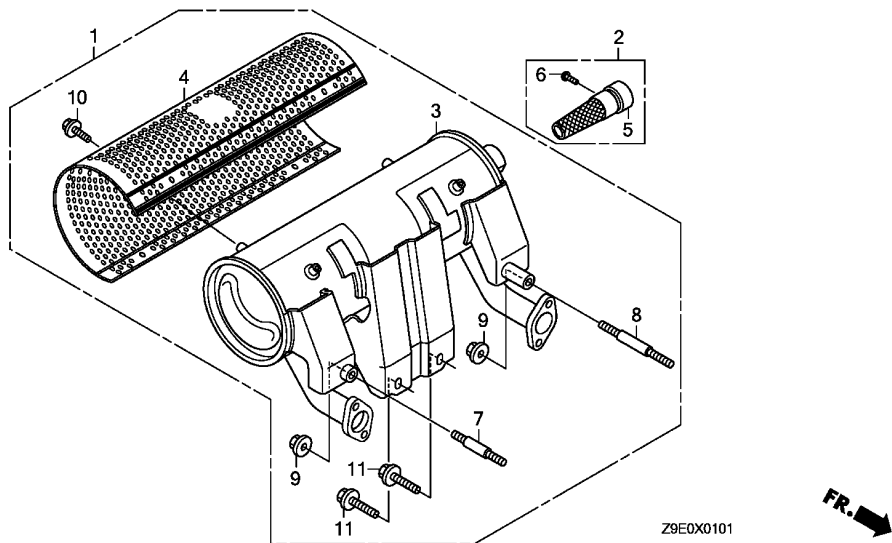
Ref. No.	Part No.	Description	Reqd. QTY			Serial No.	Parts catalogue code
			GX 630R	GX 660R	GX 690R		
7	92900-08045-0B	BOLT, STUD, 8X45	(1)	-	-	-----	QAB,QAF,QAF1,QAF3,QDF,QDF2,QDW,QWF2,QXA,QXB1,QXC2,QXF,QXF4,QXF5 QXF6,QYD,QYF,QZA,QZA5,QZB2,QZB3,QZE,QZE3,QZE4,QZF8,VAF6,VDB2,VDC2 VEP4,VXA1,VXD4,VXD8,VXE1,VXE2,VXE8,VXF,VXF4,VXP2,VZA,VZA2
8	92900-08060-0B	BOLT, STUD, 8X60	(1)	(1)	(1)	-----	QAB,QAF,QAF1,QAF3,QDF,QDF2,QDW,QWF2,QXA,QXB1,QXC2,QXF,QXF4,QXF5 QXF6,QYD,QYF,QZA,QZA5,QZB2,QZB3,QZE,QZE3,QZE4,QZF8,VAF6,VDB2,VDC2 VEP4,VXA1,VXD4,VXD8,VXE1,VXE2,VXE8,VXF,VXF4,VXP2,VZA,VZA2
9	94050-08000	NUT, FLANGE, 8MM	(2)	(1)	(1)	-----	QAB,QAF,QAF1,QAF3,QDF,QDF2,QDW,QWF2,QXA,QXB1,QXC2,QXF,QXF4,QXF5 QXF6,QYD,QYF,QZA,QZA5,QZB2,QZB3,QZE,QZE3,QZE4,QZF8,VAF6,VDB2,VDC2 VEP4,VXA1,VXD4,VXD8,VXE1,VXE2,VXE8,VXF,VXF4,VXP2,VZA,VZA2
10	95701-06008-00	BOLT, FLANGE, 6X8	(6)	(2)	(2)	-----	QAB,QAF,QAF1,QAF3,QDF,QDF2,QDW,QWF2,QXA,QXB1,QXC2,QXF,QXF4,QXF5 QXF6,QYD,QYF,QZA,QZA5,QZB2,QZB3,QZE,QZE3,QZE4,QZF8,VAF6,VDB2,VDC2 VEP4,VXA1,VXD4,VXD8,VXE1,VXE2,VXE8,VXF,VXF4,VXP2,VZA,VZA2
11	95701-08020-00	BOLT, FLANGE, 8X20	(2)	(2)	(2)	-----	QAB,QAF,QAF1,QAF3,QDF,QDF2,QDW,QWF2,QXA,QXB1,QXC2,QXF,QXF4,QXF5 QXF6,QYD,QYF,QZA,QZA5,QZB2,QZB3,QZE,QZE3,QZE4,QZF8,VAF6,VDB2,VDC2 VEP4,VXA1,VXD4,VXD8,VXE1,VXE2,VXE8,VXF,VXF4,VXP2,VZA,VZA2



EOP-1-1

MUFFLER KIT(HIGH-L)

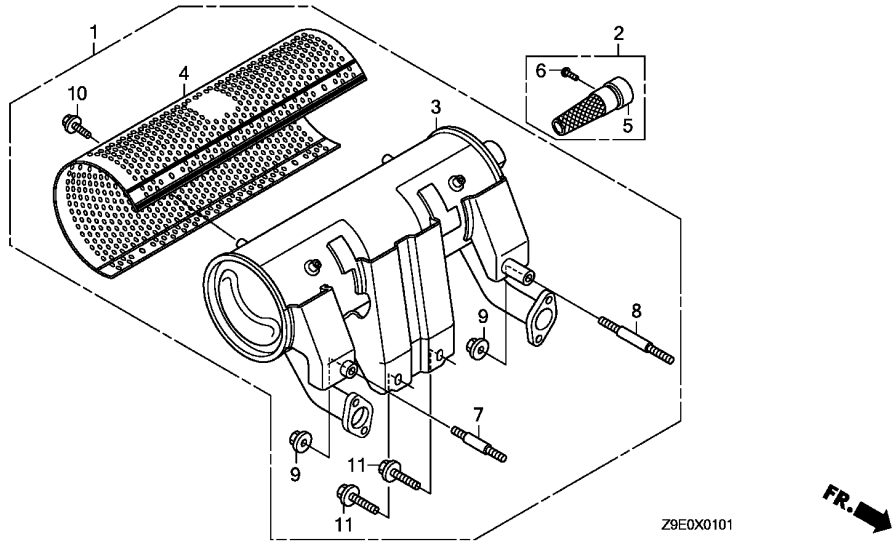
F 5



Ref. No.	L.O.N.	(Relative ref. Number) Description	F.R.T.
1	3131C4	MUFFLER KIT	0.4
3	3131C5	MUFFLER, EXHAUST	0.2
5		(2)	
	3131A1	ARRESTER, SPARK	0.1
		.INCLUDES: Spark arrester check	

Ref. No.	Part No.	Description	Reqd. QTY			Serial No.	Parts catalogue code
			GX 630R	GX 660R	GX 690R		
1	06183-Z6L-801	MUFFLER KIT (HIGH-L)	(1)	-	-	-----	QAB, QAF, QAF1, QAF3, QDF, QDF2, QDW, QWF2, QXA, QXB1, QXC2, QXF, QXF4, QXF5, QXF6, QYD, QYF, QZA, QZA5, QZB2, QZB3, QZE, QZE3, QZE4, QZF8, VAF6, VDB2, VDC2, VEP4, VXA1, VXD4, VXD8, VXE1, VXE2, VXE8, VXF, VXF4, VXP2, VZA, VZA2
2	06185-Z6L-000	ARRESTER KIT (HIGH)	(1)	-	(1)	-----	QAB, QAF, QAF1, QAF3, QDF, QDF2, QDW, QWF2, QXA, QXB1, QXC2, QXF, QXF4, QXF5, QXF6, QYD, QYF, QZA, QZA5, QZB2, QZB3, QZE, QZE3, QZE4, QZF8, VAF6, VDB2, VDC2, VEP4, VXA1, VXD4, VXD8, VXE1, VXE2, VXE8, VXF, VXF4, VXP2, VZA, VZA2
3	18310-Z6L-801	MUFFLER COMP. (HIGH-L)	(1)	-	(1)	-----	QAB, QAF, QAF1, QAF3, QDF, QDF2, QDW, QWF2, QXA, QXB1, QXC2, QXF, QXF4, QXF5, QXF6, QYD, QYF, QZA, QZA5, QZB2, QZB3, QZE, QZE3, QZE4, QZF8, VAF6, VDB2, VDC2, VEP4, VXA1, VXD4, VXD8, VXE1, VXE2, VXE8, VXF, VXF4, VXP2, VZA, VZA2
4	18321-ZJ1-010	PROTECTOR, MUFFLER (HIGH) (FUTABA)	(1)	-	(1)	-----	QAB, QAF, QAF1, QAF3, QDF, QDF2, QDW, QWF2, QXA, QXB1, QXC2, QXF, QXF4, QXF5, QXF6, QYD, QYF, QZA, QZA5, QZB2, QZB3, QZE, QZE3, QZE4, QZF8, VAF6, VDB2, VDC2, VEP4, VXA1, VXD4, VXD8, VXE1, VXE2, VXE8, VXF, VXF4, VXP2, VZA, VZA2
5	18355-ZJ1-000	ARRESTER, SPARK	(1)	-	(1)	-----	QAB, QAF, QAF1, QAF3, QDF, QDF2, QDW, QWF2, QXA, QXB1, QXC2, QXF, QXF4, QXF5, QXF6, QYD, QYF, QZA, QZA5, QZB2, QZB3, QZE, QZE3, QZE4, QZF8, VAF6, VDB2, VDC2, VEP4, VXA1, VXD4, VXD8, VXE1, VXE2, VXE8, VXF, VXF4, VXP2, VZA, VZA2
6	93901-250J0	SCREW, TAPPING, 5X8	(1)	-	(1)	-----	QAB, QAF, QAF1, QAF3, QDF, QDF2, QDW, QWF2, QXA, QXB1, QXC2, QXF, QXF4, QXF5, QXF6, QYD, QYF, QZA, QZA5, QZB2, QZB3, QZE, QZE3, QZE4, QZF8, VAF6, VDB2, VDC2, VEP4, VXA1, VXD4, VXD8, VXE1, VXE2, VXE8, VXF, VXF4, VXP2, VZA, VZA2

2



Ref. No.	Part No.	Description	Reqd. QTY			Serial No.	Parts catalogue code
			GX 630R	GX 660R	GX 690R		
7	92900-08045-0B	BOLT, STUD, 8X45	(1)	-	-	-----	QAB,QAF,QAF1,QAF3,QDF,QDF2,QDW,QWF2,QXA,QXB1,QXC2,QXF,QXF4,QXF5 QXF6,QYD,QYF,QZA,QZA5,QZB2,QZB3,QZE,QZE3,QZE4,QZF8,VAF6,VDB2,VDC2 VEP4,VXA1,VXD4,VXD8,VXE1,VXE2,VXE8,VXF,VXF4,VXP2,VZA,VZA2
8	92900-08060-0B	BOLT, STUD, 8X60	(1)	(1)	(1)	-----	QAB,QAF,QAF1,QAF3,QDF,QDF2,QDW,QWF2,QXA,QXB1,QXC2,QXF,QXF4,QXF5 QXF6,QYD,QYF,QZA,QZA5,QZB2,QZB3,QZE,QZE3,QZE4,QZF8,VAF6,VDB2,VDC2 VEP4,VXA1,VXD4,VXD8,VXE1,VXE2,VXE8,VXF,VXF4,VXP2,VZA,VZA2
9	94050-08000	NUT, FLANGE, 8MM	(2)	(1)	(1)	-----	QAB,QAF,QAF1,QAF3,QDF,QDF2,QDW,QWF2,QXA,QXB1,QXC2,QXF,QXF4,QXF5 QXF6,QYD,QYF,QZA,QZA5,QZB2,QZB3,QZE,QZE3,QZE4,QZF8,VAF6,VDB2,VDC2 VEP4,VXA1,VXD4,VXD8,VXE1,VXE2,VXE8,VXF,VXF4,VXP2,VZA,VZA2
10	95701-06008-00	BOLT, FLANGE, 6X8	(6)	(2)	(2)	-----	QAB,QAF,QAF1,QAF3,QDF,QDF2,QDW,QWF2,QXA,QXB1,QXC2,QXF,QXF4,QXF5 QXF6,QYD,QYF,QZA,QZA5,QZB2,QZB3,QZE,QZE3,QZE4,QZF8,VAF6,VDB2,VDC2 VEP4,VXA1,VXD4,VXD8,VXE1,VXE2,VXE8,VXF,VXF4,VXP2,VZA,VZA2
11	95701-08020-00	BOLT, FLANGE, 8X20	(2)	(2)	(2)	-----	QAB,QAF,QAF1,QAF3,QDF,QDF2,QDW,QWF2,QXA,QXB1,QXC2,QXF,QXF4,QXF5 QXF6,QYD,QYF,QZA,QZA5,QZB2,QZB3,QZE,QZE3,QZE4,QZF8,VAF6,VDB2,VDC2 VEP4,VXA1,VXD4,VXD8,VXE1,VXE2,VXE8,VXF,VXF4,VXP2,VZA,VZA2



PART NO. INDEX

G 2

Part Number	Address	Page	Ref.	Part Number	Address	Page	Ref.	Part Number	Address	Page	Ref.	Part Number	Address	Page	Ref.
84000				90709-Z6L-000	D3	22	12	94050-08000	D1	20	13	95701-10040-00	E9	44	21
84601-HA7-670	D14	33	9	90741-ZE2-000	D7	26	6		E3	38	7	96000			
				90745-ZE2-600	D7	26	7		F4	55	9				
				90802-Z6L-000	E1	36	11		F6	57	9				
87000				90902-Z6L-000	D6	25	24	94050-10000	D1	20	14	96001-06010-00	E11	46	25
87117-Z2E-800	E14	49	12	91000				94070-08080	E9	44	20	98000			
87501-Z6L-000	E14	49	13					94109-20000	D4	23	20				
87501-Z6L-800	E14	49	13	91002-ZG4-801	E9	44	19	94251-10000	D4	23	21				
87502-Z6L-000	E14	49	14	91201-Z6L-003	D3	22	13	94540-05018	E11	46	20	98079-5587G	D1	20	18
87502-Z6L-800	E14	49	14	91202-Z6L-003	D6	25	25		E16	51	14	98200-43000	E14	49	26
87506-Z6L-000	E14	49	15	91203-Z6L-003	D3	22	14		F1	52	15				
87516-ZH7-010	E15	50	1	91301-Z6L-003	D6	25	26	95000				99000			
	F2	53	1	91302-Z6L-003	D6	25	27					99004-16170	E15	50	4
87516-ZH7-801	F2	53	2	91308-PH9-000	D6	25	28	95002-02080	D16	35	25	99101-ZH8-0900	D16	35	26
87519-ZH7-000	E15	50	1	91308-Z6L-003	D3	22	15	95002-40800-08	F1	52	16	99101-ZH8-0920	D16	35	27
	F2	53	3		D6	25	29	95002-40850-08	F1	52	17	99101-ZH8-0950	D16	35	26
87521-Z6L-000	E15	50	2	91309-Z6L-000	D4	23	16	95002-41000-08	E5	40	13	99101-ZH8-0980	D16	35	27
87521-Z6N-000	E15	50	2	91508-GN2-000	E14	49	22	95002-41050-08	F1	52	18	99101-ZH8-1000	D16	35	26
87521-Z8N-000	E15	50	2	91565-SEL-003	E14	49	23	95002-41200-08	E5	40	14	99101-ZH8-1020	D16	35	26
87531-Z6L-000	E15	50	3	91601-Z6L-000	E7	42	13	95002-70000	E5	40	15	99101-ZH8-1050	D16	35	26
87532-ZH7-800	F2	53	4	92000				95701-06008-00	E2	37	8				
87539-Z0J-000	F2	53	5						E3	38	8	99101-ZH8-1100	D16	35	26
87539-Z0J-800	F2	53	6	92301-04006-0H	E11	46	15		E8	43	14				
87539-Z0J-810	F2	53	7		E16	51	12		F4	55	10	99101-ZH8-1120	D16	35	26
							13		F6	57	10				
90000				92301-05016-0A	E11	46	16	95701-06010-00	E11	46	21	99101-ZH8-1180	D16	35	26
90001-Z6L-000	D8	27	6	92800-20000	D4	23	17	95701-06012-00	E2	37	9				
90002-ZG5-004	D3	22	10	92900-08022-0E	D1	20	12		E5	40	16	99204-ZE2-0400	D16	35	28
	D6	25	19	92900-08045-0B	E3	38	5		E8	43	15	99204-ZE2-0450	D16	35	28
90003-Z6L-000	D16	35	23		F4	55	7	95701-06014-00	D4	23	22				
90005-Z6L-000	D14	33	10		F6	57	7		E5	40	17				
90011-Z0H-811	E14	49	16	92900-08060-0B	E3	38	6		E8	43	16				
90012-Z6L-000	D9	28	15		F4	55	8		E11	46	22				
90015-ZE3-790	E11	46	14		F6	57	8		E12	47	5				
90101-SP1-003	E14	49	17	92900-10040-0B	D4	23	18	95701-06016-00	D4	23	23				
90131-S0X-A00	E6	41	9						D14	33	13				
90201-Z6L-000	E6	41	4	93000				95701-06018-00	E1	36	13				
90202-ZJ1-840	E12	47	4					95701-06020-00	D6	25	30				
90206-Z6L-000	D9	28	16	93500-03008-0A	D4	23	19		D14	33	14				
90325-044-000	E1	36	10	93500-04008-4J	E2	37	7	95701-06022-00	D9	28	19				
90380-GM9-740	D14	33	11	93500-04012-1H	D16	35	24	95701-06028-00	D6	25	31				
90380-MB2-000	E14	49	18	93500-05030-0A	E11	46	17	95701-06030-00	D1	20	15				
90402-Z6L-000	D7	26	5	93500-05040-0A	E11	46	18		E8	43	17				
90403-Z6L-000	D6	25	20	93500-05045-0A	E11	46	17	95701-06032-00	E8	43	18				
90404-Z6L-000	D3	22	11	93892-05010-18	D16	35	31	95701-06035-00	D6	25	32				
90551-ZE1-000	D8	27	7	93893-05008-07	E14	49	24	95701-06050-00	D1	20	16				
90601-Z6L-000	E14	49	19	93894-06016-00	E5	40	12	95701-06090-00	D6	25	33				
90602-ZE1-000	D6	25	21	93901-250J0	E3	38	4	95701-08016-00	D1	20	17				
	D9	28	17		F3	54	6	95701-08018-00	E6	41	10				
90650-KV6-003	E7	42	11		F5	56	6	95701-08020-00	E2	37	10				
	E14	49	20	93913-25310	E14	49	25		E3	38	9				
90672-SB2-003	E7	42	12	93913-25580	D14	33	12		F4	55	11				
90681-763-A01	E14	49	21						F6	57	11				
90705-Z6L-000	D8	27	8	94000				95701-08030-00	E2	37	11				
90707-Z6L-000	D6	25	22					95701-08045-00	D6	25	34				
	D9	28	18	94050-06000	E1	36	12	95701-08050-00	E6	41	11				
90708-Z6L-000	D6	25	23		E11	46	19	95701-08060-00	E2	37	12				

3

PART NAME INDEX

H 1

Part name	Address	Page	Ref.	Part name	Address	Page	Ref.	Part name	Address	Page	Ref.
[A]				BOLT, FLANGE, 8X20	E3	38	9	COIL ASSY., CHARGE	E7	42	3
ARMATURE COMP.	E9	44	11		F4	55	11	COIL ASSY., IGNITION	E7	42	1
ARM COMP., GOVERNOR	E10	45	4	BOLT, FLANGE, 8X30	E2	37	11	COLLAR SET, CLUTCH STOP	E9	44	2
	E11	46	23	BOLT, FLANGE, 8X45	D6	25	34	COLLAR, FAN COVER	D14	33	3
ARM, SUB	E10	45	5	BOLT, FLANGE, 8X50	E6	41	11		E1	36	9
ARM, THROTTLE LINKAGE	D15	34	9	BOLT, FLANGE, 8X60	E2	37	12		E6	41	5
ARM, VALVE ROCKER	D9	28	4	BOLT, GOVERNOR ARM	E11	46	14	COLLAR, FUEL PUMP DISTANCE	E16	51	5
ARRESTER KIT	F3	54	2	BOLT, RECESSED, 4X6	E11	46	15	COLLAR, VALVE LIFTER	D9	28	12
	F5	56	2		E16	51	12	CONTROL ASSY.	E10	45	2
ARRESTER, SPARK	E3	38	3	BOLT, RECESSED, 5X16	E11	46	16	COVER ASSY., CRANKCASE	D5	24	1
	F3	54	5		D3	22	4	COVER ASSY., FUSE	E13	48	10
	F5	56	5	BOLT, SEALING	D5	24	10	COVER COMP., AIR CLEANER	E1	36	4
[B]				BOLT, SOCKET, 5X9	E14	49	16	COVER COMP., FAN	D14	33	2
BALL, STEEL,	D6	25	24	BOLT, STUD, 10X40	D4	23	18	COVER, BREATHER	D3	22	2
BAND, MUFFLER	E2	37	6	BOLT, STUD, 8X22	D1	20	12	COVER, CONTROL	E13	48	5
BAND, WIRE, 95MM	E7	42	11	BOLT, STUD, 8X45	E3	38	5	COVER, CYLINDER HEAD	D1	20	4
	E14	49	20		F4	55	7		D14	33	1
BASE COMP., OIL FILTER	D5	24	7	BOLT, STUD, 8X60	E3	38	6	COVER, FUEL PUMP	D14	33	1
			8		F4	55	8	COVER, TERMINAL	E9	44	18
BEARING A	E9	44	19		F6	57	8	CRANKCASE ASSY.	D3	22	1
BEARING A, CONNECTING ROD	D8	27	5	BOLT, THROUGH	E9	44	10	CRANKSHAFT COMP.	D7	26	1
BOLT, CONNECTING ROD, 7X38	D8	27	6	BRACKET, CONTROL BOX	E13	48	8				2
BOLT, DRAIN PLUG, 20MM	D4	23	17	BRACKET, HARNESS	E7	42	8				3
BOLT, FLANGE, 10X40	E9	44	21	BRACKET, REGULATOR RECTIFIER	E7	42	9				4
BOLT, FLANGE, 6X10	E11	46	21	BRACKET, SWITCH BOX	E13	48	6				8
			25	BRUSH	E9	44	8				9
BOLT, FLANGE, 6X106	D16	35	23	[C]							
BOLT, FLANGE, 6X12	E2	37	9	CABLE COMP., CHOKE	E13	48	3	[D]			
	E5	40	16	CABLE COMP., THROTTLE	E13	48	2	DOWEL PIN, 12X20	D3	22	12
	E8	43	15	CAMSHAFT ASSY.	D9	28	2	DOWEL PIN, 8X10	D6	25	22
BOLT, FLANGE, 6X14	D4	23	22	CAP ASSY., OIL FILLER	D1	20	7		D9	28	18
	E5	40	17	CAP, BOOST	D15	34	17	DOWEL PIN, 8X14	D6	25	23
	E8	43	16	CAP, CHOKE DUST	D15	34	10	DOWEL PIN, 9X10	D8	27	8
	E11	46	22	CAP, SEALING	E1	36	11	[E]			
	E12	47	5	CARBURETOR ASSY.	D15	34	7	ELBOW COMP., AIR CLEANER	D16	35	22
BOLT, FLANGE, 6X16	D4	23	23	CARTRIDGE, OIL FILTER	D5	24	6	ELEMENT COMP., AIR CLEANER	E1	36	1
	D14	33	13	CASE COMP., AIR CLEANER	E1	36	2	EMBLEM	E15	50	2
BOLT, FLANGE, 6X18	E1	36	13	CHAMBER SET, FLOAT	D15	34	4	E-RING, 5MM	E11	46	20
BOLT, FLANGE, 6X20	D6	25	30	CLAMP, HIGH TENSION CORD	E7	42	2		E16	51	14
	D14	33	14	CLAMP, OIL HOSE	E4	39	10		F1	52	15
BOLT, FLANGE, 6X22	D9	28	19	CLAMP, TUBE	E5	40	13	[F]			
BOLT, FLANGE, 6X28	D6	25	31					FAN, COOLING	E6	41	1
BOLT, FLANGE, 6X30	D1	20	15					FILTER, BREATHER	D3	22	3
	E8	43	17					FLOAT SET	D15	34	3
	E8	43	18	CLIP, BREATHER TUBE	D16	35	21	FLYWHEEL COMP.	E6	41	3
BOLT, FLANGE, 6X32	D6	25	32	CLIP, COUPLER	E14	49	23	FRAME COMP., COMMUTATOR END	E9	44	13
BOLT, FLANGE, 6X35	D1	20	16	CLIP, GOVERNOR HOLDER	D6	25	21	FUSE, MINI	E14	49	26
BOLT, FLANGE, 6X50	D1	20	16		D9	28	17	[G]			
BOLT, FLANGE, 6X8	E2	37	8	CLIP, PISTON PIN, 18MM	D8	27	7	GASKET SET	D15	34	2
	E3	38	8	CLIP, TUBE	D16	35	25	GASKET, EX. PIPE	E16	51	8
	E8	43	14		E5	40	15	GAUGE COMP., OIL LEVEL	D5	24	11
	F4	55	10		E14	49	21				
	F6	57	10	CLIP, WIRE HARNESS	E14	49	21				
BOLT, FLANGE, 6X90	D6	25	33	CLUTCH COMP., OVERRUNNING	E9	44	6				
BOLT, FLANGE, 8X16	D1	20	17								
BOLT, FLANGE, 8X18	E6	41	10								
BOLT, FLANGE, 8X20	E2	37	10								

PART NAME INDEX

Part name	Address	Page	Ref.	Part name	Address	Page	Ref.	Part name	Address	Page	Ref.
GEAR COMP., OIL PUMP	D5	24	3	MARK, ENGINE SWITCH	E14	49	13	PACKING, OIL PASS	D6	25	29
GOVERNOR ASSY.	D5	24	13	MARK, EX. CAUTION	F2	53	5	PANEL, CONTROL	E13	48	7
GRID, SCREEN	E6	41	7					PIN, GOVERNOR WEIGHT	D5	24	16
GROMMET, AIR CLEANER	E1	36	5					PIN, LOCK, 10MM	D4	23	21
GROMMET, CONTROL BOX	E14	49	19	MARK, HOLE COVER	E14	49	15	PIN, PISTON	D8	27	3
GROMMET, CORD	E7	42	13	MARK, HONDA	E15	50	3	PIPE COMP., EX.	E2	37	4
				MARK, OPERATOR CAUTION	E15	50	1	PIPE COMP., OIL LEVEL	D5	24	12
[H]					F2	53	1	PISTON	D8	27	2
HANGER, ENGINE	D1	20	1					PLATE	D16	35	30
HARNESS ASSY., ENGINE WIRE ...	E7	42	6	MARK, THROTTLE INDICATION	F2	53	4	PLATE, COOLING FAN SETTING	E6	41	2
				MARK, THROTTLE SWITCH	E14	49	14	PLATE, SOLENOID	E12	47	2
HARNESS ASSY., REGULATOR				METER ASSY., HOUR	E14	49	11	PLATE, STOPPER	D3	22	6
RECTIFIER	E7	42	10	MOTOR ASSY., STARTER	E9	44	3	PLUG, OUTER CONNECTOR	E16	51	11
HARNESS ASSY., SUB WIRE	E16	51	10	MUFFLER COMP.	E2	37	1	PLUG, SPARK	D1	20	18
HEAD COMP., CYLINDER	D1	20	2					PROTECTOR, FAN COVER	D14	33	4
					E3	38	1				
					F3	54	3	PROTECTOR, MUFFLER	E2	37	2
HOLDER, BRUSH	E9	44	16		F5	56	3				
HOLDER, CABLE	E10	45	9	MUFFLER KIT	F3	54	1		E3	38	2
	E11	46	13		F5	56	1		F3	54	4
	E16	51	2						F5	56	4
HOLDER, GOVERNOR WEIGHT	D5	24	15	[N]				PUMP ASSY., FUEL	E4	39	1
HOLDER, OIL FILTER	D5	24	9	NOZZLE, MAIN	D15	34	12		E16	51	3
HOLDER, SCREEN GRID	E6	41	8	NUT-WASHER, 8MM	E9	44	20	[R]			
HOLDER, WIRE	E16	51	1	NUT, FENDER SETTING	D14	33	9	RECTIFIER ASSY., REGULATOR	E16	51	9
HOSE, FUEL	E16	51	7	NUT, FLANGE, 10MM	D1	20	14	RECTIFIER COMP., REGULATOR	E7	42	5
HOUSING COMP., DRIVE SIDE	E9	44	7	NUT, FLANGE, 6MM	E1	36	12	RETAINER, IN. VALVE SPRING	D9	28	14
					E11	46	19	RING SET, PISTON	D8	27	1
[I]				NUT, FLANGE, 8MM	D1	20	13	RING, SNAP	E9	44	1
INSULATOR, BRUSH HOLDER	E9	44	17		E3	38	7	ROD ASSY., CONNECTING	D8	27	4
INSULATOR, CARBURETOR	D15	34	16		F4	55	9	ROD COMP., PUSH	D9	28	3
					F6	57	9	ROD, CHOKE CONTROL	E10	45	12
[J]				NUT, HEX.	E9	44	15	ROD, GOVERNOR	E10	45	6
JET SET, PILOT,	D16	35	28	NUT, HEX., 8MM	E9	44	14	ROTOR, OIL PUMP OUTER	D5	24	2
JET, MAIN,	D16	35	26	NUT, SPECIAL	E6	41	4	RUBBER, FUEL PUMP MOUNTING	E16	51	4
				NUT, SPECIAL CAP	E12	47	4	RUBBER, RR. FENDER	E4	39	11
JOINT, FUEL RETURN	E4	39	9	NUT, TAPPET ADJUSTING	D9	28	16				
JOINT, FUEL TUBE	E16	51	6	NUT, TOOL BOX SETTING	E1	36	10	[S]			
JOINT, ROD	E10	45	1					SCREEN, FUEL STRAINER	D15	34	13
				[O]				SCREW-WASHER, 4X8	D3	22	10
[K]				OIL SEAL, 10X16X5	D3	22	14		D6	25	19
KEY, 6.3X6.3X43	D7	26	7	OIL SEAL, 38X58X9	D3	22	13	SCREW-WASHER, 5X10	D16	35	31
KEY, SPECIAL WOODRUFF, 25X18 .	D7	26	6		D6	25	25	SCREW-WASHER, 5X8	E14	49	24
KNOB, AIR CLEANER COVER	E1	36	6	0-RING, 14.8X2.4	D6	25	26	SCREW-WASHER, 6X16	E5	40	12
KNOB, CHOKE	E13	48	4	0-RING, 37.9X2.4	D4	23	16	SCREW SET	D15	34	5
				0-RING, 8.8X1.9	D6	25	28	SCREW SET, DRAIN	D15	34	6
				0-RING, OIL PUMP	D6	25	27	SCREW, FLOAT	D16	35	29
[L]				[P]				SCREW, PAN, 3X8	D4	23	19
LABEL, FUSE	E14	49	12	PACKING, AIR CLEANER	D16	35	19	SCREW, PAN, 4X12	D16	35	24
LEVER ASSY., THROTTLE	E13	48	1	PACKING, AIR CLEANER CASE	E1	36	8	SCREW, PAN, 4X8	E2	37	7
LEVER, PINION DRIVE	E9	44	4	PACKING, CARBURETOR	D16	35	18	SCREW, PAN, 5X10.5	E14	49	22
LIFTER ASSY., VALVE	D9	28	9	PACKING, HEAD COVER	D1	20	6	SCREW, PAN, 5X30	E11	46	17
				PACKING, INTAKE MANIFOLD	D1	20	11	SCREW, PAN, 5X40	E11	46	18
[M]				PACKING, OIL FILLER CAP	D1	20	8	SCREW, PAN, 5X45	E11	46	17
MANIFOLD, INTAKE	D1	20	10	PACKING, OIL PASS	D3	22	15	SCREW, SPECIAL, 4X10	D14	33	10
								SCREW, SPECIAL, 6X15	D14	33	11

PART NAME INDEX

Part name	Address	Page	Ref.	Part name	Address	Page	Ref.	Part name	Address	Page	Ref.
SCREW, SPECIAL, 6X8	E14	49	18	[V]							
SCREW, TAPPET ADJUSTING	D9	28	15	VALVE ASSY., SOLENOID	D15	34	15				
SCREW, TAPPING, 3X8	E14	49	17	VALVE COMP., FLOAT	D15	34	11				
SCREW, TAPPING, 5X14	E14	49	25	VALVE, EX.	D9	28	8				
SCREW, TAPPING, 5X20	D14	33	12	VALVE, IN.	D9	28	7				
SCREW, TAPPING, 5X8	E3	38	4	VALVE, OIL OUTLET	D3	22	5				
	F3	54	6	[W]							
	F5	56	6	WASHER, 6X16	D6	25	20				
SCREW, THROTTLE STOP	D15	34	8	WASHER, CRANKSHAFT THRUST	D7	26	5				
SCREW, TRUSS, 6X16	E6	41	9	WASHER, DRAIN PLUG, 20MM	D4	23	20				
SEAL, AIR CLEANER CASE	D16	35	20	WASHER, PLAIN	D3	22	11				
SEAL, VALVE STEM	D9	28	1	WEIGHT, GOVERNOR	D5	24	14				
SHAFT COMP., VALVE LIFTER	D9	28	10	WRENCH, BOX	E15	50	4				
SHAFT, FR. P.T.O.	E6	41	6	[Y]							
SHAFT, GOVERNOR ARM	D3	22	7	YOKE COMP.	E9	44	12				
SHAFT, ROCKER ARM	D9	28	5								
SHROUD, L. LOWER	D14	33	8								
SHROUD, R. LOWER	D14	33	7								
SHROUD, UPPER	D14	33	6								
SLIDER, GOVERNOR	D6	25	17								
SOLENOID ASSY., ROTARY	E12	47	3								
SPRING, AIR CLEANER CASE COVER	E1	36	7								
SPRING, BRUSH	E9	44	9								
SPRING, CABLE RETURN	E10	45	11								
SPRING, CONTROL ADJUSTING	E10	45	10								
SPRING, GOVERNOR	E10	45	7								
SPRING, RELIEF VALVE	D5	24	5								
SPRING, RETURN	E11	46	24								
SPRING, STARTER	E10	45	3								
SPRING, THROTTLE RETURN	E10	45	8								
SPRING, VALVE	D9	28	11								
SPRING, VALVE LIFTER	D9	28	13								
SPRING, WEIGHT RETURN	D9	28	6								
STAY COMP., AIR CLEANER											
ELEMENT	E1	36	3								
STAY, FUEL PUMP	E4	39	2								
STAY, FUEL TUBE GROMMET	D1	20	9								
STAY, MUFFLER	E2	37	5								
STAY, SOLENOID	E12	47	1								
STRAINER COMP., FUEL	E4	39	8								
STRAINER COMP., OIL	D5	24	4								
STRAP, CABLE, 105MM	E7	42	12								
SWITCH ASSY., COMBINATION	E13	48	9								
SWITCH ASSY., MAGNET	E9	44	5								
SWITCH ASSY., OIL LEVEL	D3	22	8								
SWITCH, OIL PRESSURE	D3	22	9								
	D6	25	18								
[T]											
TUBE COMP. A, FUEL	E4	39	3								
TUBE COMP. B, FUEL	E4	39	4								
			5								
TUBE, BREATHER	D15	34	1								
TUBE, DIAPHRAGM	E4	39	7								
TUBE, DRAIN	D15	34	14								
TUBE, FUEL SPECIAL	E16	51	7								
TUBE, PURGE	E4	39	6								

1

FOREWORD INDEX

2

ENGINE GROUP

3

PART NUMBER INDEX

4

PART NAME INDEX

HONDA
The Power of Dreams



PARTS CATALOGUE NEWS

Honda Motor Co., Ltd. Service Division

PARTS CATALOGUE - CORRECTED

Printed in Japan

CODE NO.	13Z9EA01
PARTS CATALOGUE NEWS	GX630R GX660R GX690R
NEWS NO.	001

Block No.	Ref. No.	Note	Part No.	Description	Reqd. QTY			Serial No.	Parts catalogue code
					GX 630R	GX 660R	GX 690R		
E-12	2	D	19610-Z6L-000ZB	COVER COMP., FAN *NH1*.....BLACK	1	1	1	-----	BAF, BDW, BXF, BXF5, QAB, QAF, QAF1, QAF3, QDF, QDF2, QDW, QWF2, QXA, QXB1, QXC2, QXF, QXF4, QXF6, QYD, QYF, QZA, QZB, QZE, QZE3, QZE4, TAF, TDW, TXA2, TXF, TXF4, TXF5, TXF7, TXF9, VAF6, VD, VDB2, VXA1, VXD, VXD4, VXD8, VXE1, VXE4, VXE8, VXF, VXF4, VXP2, VZA, VZA2

NOTE A:PART NO. CHANGE D:NEWLY PROVIDED E:PART NO.DELETION K:REQUIRED NO. CORRECTION L:APPLICATION SERIAL NO. CORRECTION
T:APPLICATION CORRECTION Z:REMARKS CHANGE



PARTS CATALOGUE NEWS

Honda Motor Co., Ltd. Service Division

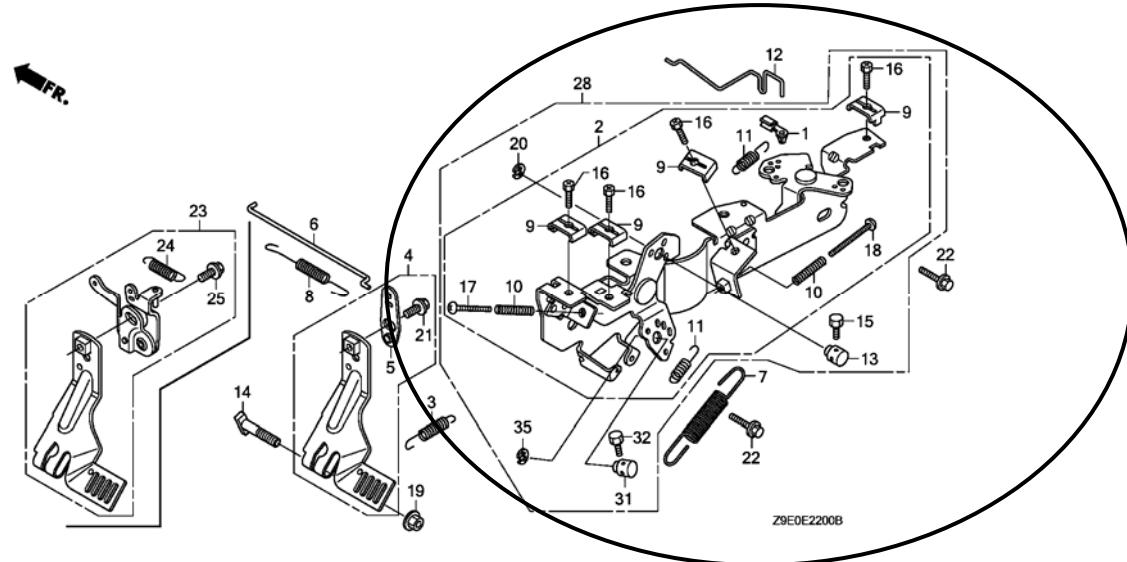
PARTS CATALOGUE - CORRECTED

Printed in Japan

CODE NO.	13Z9EA01
PARTS CATALOGUE NEWS	GX630R GX660R GX690R
NEWS NO.	002

Block No.	Ref. No.	Note	Part No.	Description	Reqd. QTY			Serial No.	Parts catalogue code
					GX 630R	GX 660R	GX 690R		
E-15	1	E	17210-Z6L-000	*PARTS NO. DELETION					
		D	17210-Z6L-010	ELEMENT COMP., AIR CLEANER ...	1	1	1		

E-22 CONTROL



NOTE A:PART NO. CHANGE D:NEWLY PROVIDED E:PART NO.DELETION K:REQUIRED NO. CORRECTION L:APPLICATION SERIAL NO. CORRECTION
T:APPLICATION CORRECTION Z:REMARKS CHANGE

PARTS CATALOGUE NEWS

BOOKNo. : 13Z9EA01

Block No.	Ref. No.	Note	Part No.	Description	Reqd. QTY			Serial No.	Parts catalogue code		
					GX 630R	GX 660R	GX 690R				
E-22	13	T	16617-Z6L-000	HOLDER, CABLE	1	1	1	-----	BAF, BXF, QAF1, QDF, QXC2, QXF4, QXF6, QZA5, QZB, QZB2, QZB3 QZE, QZE4, QZF8, TAF, TXA2, TXF, TXF4, TXF7, VEP4, VXA1, VXF, VZA		
					1	-	-	1000805	-----	QXF, QXF5, QZE3	
					-	1	-	1000339	-----	BXF5, TXF5	
	15	T	92301-04006-0H	BOLT, RECESSED, 4X6	1	1	1	-----	BAF, BXF, QAF1, QDF, QXC2, QXF4, QXF6, QZA5, QZB, QZB2, QZB3 QZE, QZE4, QZF8, TAF, TXA2, TXF, TXF4, TXF7, VEP4, VXA1, VXF, VZA		
					1	-	-	1000805	-----	QXF, QXF5	
					-	1	-	1000339	-----	BXF5, TXF5	
		20	T	94540-05018	E-RING, 5MM	1	1	1	-----	BAF, BXF, QAF1, QDF, QXC2, QXF4, QXF6, QZA5, QZB, QZB2, QZB3 QZE, QZE4, QZF8, TAF, TXA2, TXF, TXF4, TXF7, VEP4, VXA1, VXF, VZA	
						1	-	-	1000805	-----	QXF, QXF5
						-	1	-	1000339	-----	BXF5, TXF5
28	D	16500-Z6L-830	CONTROL ASSY.	1	-	-	1000805	-----	QAF1, QDF, QXC2, QXF, QXF4, QXF5, QXF6, QZA5, QZB, QZB2, QZB3 QZE, QZE4, QZF8, VEP4, VXA1, VXF, VZA		
				-	1	-	1000339	-----	BAF, BXF, BXF5, TAF, TXA2, TXF, TXF4, TXF5, TXF7		
				-	-	1	1000443	-----	BAF, BXF, BXF5, TAF, TXA2, TXF, TXF4, TXF5, TXF7		
31	D	16617-Z6L-000	HOLDER, CABLE	1	-	-	1000805	-----	QAF1, QDF, QXC2, QXF, QXF4, QXF5, QXF6, QZA5, QZB, QZB2, QZB3 QZE, QZE4, QZF8, VEP4, VXA1, VXF, VZA		
				-	1	-	1000339	-----	BAF, BXF, BXF5, TAF, TXA2, TXF, TXF4, TXF5, TXF7		
				-	-	1	1000443	-----	BAF, BXF, BXF5, TAF, TXA2, TXF, TXF4, TXF5, TXF7		
32	D	92301-04006-0H	BOLT, RECESSED, 4X6	1	-	-	1000805	-----	QAF1, QDF, QXC2, QXF, QXF4, QXF5, QXF6, QZA5, QZB, QZB2, QZB3 QZE, QZE4, QZF8, VEP4, VXA1, VXF, VZA		
				-	1	-	1000339	-----	BAF, BXF, BXF5, TAF, TXA2, TXF, TXF4, TXF5, TXF7		
				-	-	1	1000443	-----	BAF, BXF, BXF5, TAF, TXA2, TXF, TXF4, TXF5, TXF7		

NOTE A:PART NO. CHANGE D:NEWLY PROVIDED E:PART NO.DELETION K:REQUIRED NO. CORRECTION L:APPLICATION SERIAL NO. CORRECTION
T:APPLICATION CORRECTION Z:REMARKS CHANGE

PARTS CATALOGUE NEWS

BOOKNo. : 13Z9EA01

Block No.	Ref. No.	Note	Part No.	Description	Reqd. QTY			Serial No.	Parts catalogue code
					GX 630R	GX 660R	GX 690R		
	35	D	94540-05018	E-RING, 5MM	1	-	-	1000805 -----	QAF1, QDF, QXC2, QXF, QXF4, QXF5, QXF6, QZA5, QZB, QZB2, QZB3 QZE, QZE4, QZF8, VEP4, VXA1, VXF, VZA
					-	1	-	1000339 -----	BAF, BXF, BXF5, TAF, TXA2, TXF, TXF4, TXF5, TXF7
					-	-	1	1000443 -----	BAF, BXF, BXF5, TAF, TXA2, TXF, TXF4, TXF5, TXF7
E-40	2	L	16617-Z6L-000	HOLDER, CABLE	1	1	1	-----	BDW, QAB, QAF, QAF3, QDF2, QDW, QXA, QXB1, QYD, QYF, QZA, QZE3 TDW, TXF9, VAF6, VXE8, VXF4
					1	-	-	-----	1000804 QXF, QXF5
					-	1	-	-----	1000338 BXF5, TXF5
					-	-	1	-----	1000442 BXF5, TXF5
	13	L	92301-04006-0H	BOLT, RECESSED, 4X6	1	1	1	-----	BDW, QAB, QAF, QAF3, QDF2, QDW, QXA, QXB1, QYD, QYF, QZA, QZE3 TDW, TXF9, VAF6, VXE8, VXF4
					1	-	-	-----	1000804 QXF, QXF5
					-	1	-	-----	1000338 BXF5, TXF5
					-	-	1	-----	1000442 BXF5, TXF5
	15	L	94540-05018	E-RING, 5MM	1	1	1	-----	BDW, QAB, QAF, QAF3, QDF2, QDW, QXA, QXB1, QYD, QYF, QZA, QZE3 TDW, TXF9, VAF6, VXE8, VXF4
					1	-	-	-----	1000804 QXF, QXF5
					-	1	-	-----	1000338 BXF5, TXF5
					-	-	1	-----	1000442 BXF5, TXF5

NOTE A:PART NO. CHANGE D:NEWLY PROVIDED E:PART NO. DELETION K:REQUIRED NO. CORRECTION L:APPLICATION SERIAL NO. CORRECTION
T:APPLICATION CORRECTION Z:REMARKS CHANGE

October 17, 2009



PARTS CATALOGUE NEWS

Honda Motor Co., Ltd. Service Division

Printed in Japan

CODE NO.	13Z9EA01
PARTS CATALOGUE NEWS	GX630R GX660R GX690R
NEWS NO.	003

GX630R-QDX2 AND VAB5 TYPES sales parts information

NOTE: This Parts Catalogue News explains only the parts of the different model that are produced to conform to addition of the GX630R-QDX2 and VAB5 types.

As for the parts not listed on this Parts Catalogue News, use the parts of the GX630R-QXB1 and VAF6 types.

•Models, parts catalogue codes and applicable serial numbers

Model	Type		Parts catalogue type	Applicable engine serial No.	Applicable carburetor identification No.
GX630R	QXB1	Base type	QXB1	GCBEK-1000001~	BK07A A
	QDX2	Additional type	QDX2		
	VAF6	Base type	VAF6		
	VAB5	Additional type	VAB5		

•Features of each type		Base type	Additional type	Base type	Additional type
Model		GX630R			
Type		QXB1	QDX2	VAF6	VAB5
Crankshaft	25.4 mm Ø Straight (L=138)	●	●		
	28.575 mm Ø Straight (L=162)				
	36.5 mm Ø Straight (L=175.2)				
	5/16" Tapered			●	
	7/16" Tapered				
	M10 Tapered				●
Muffler	Side mount				
	High-R	(●)	●	(●)	(●)
	High-L	(●)	(●)	(●)	(●)
Spark arrester		(●)	(●)	(●)	(●)
Control box					

PARTS CATALOGUE NEWS

BOOKNo. : 13Z9EA01

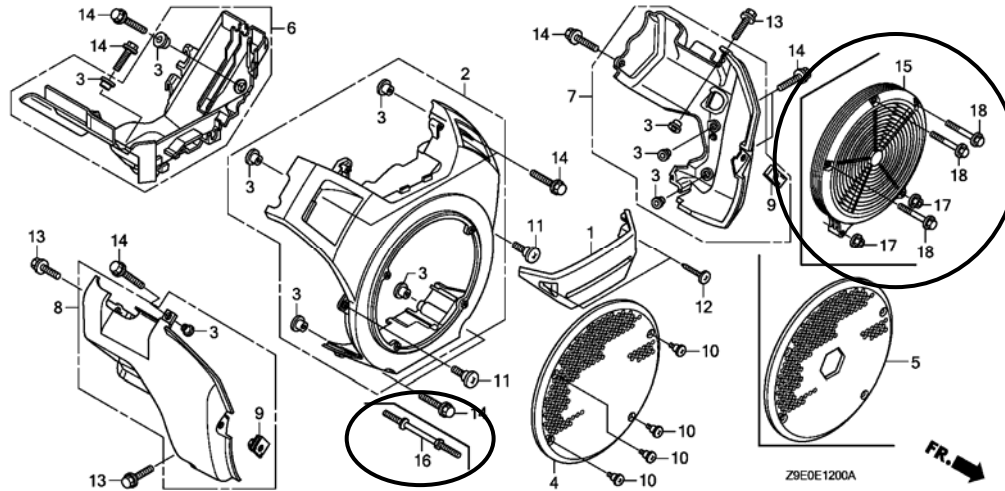
Block No.	Ref. No.	Part No.	Description	Reqd. QTY			Base Part No.	Parts catalogue code
				GX 630R	GX 660R	GX 690R		
E-2	18	98079-5287E	PLUG, SPARK (FR2A)	2	-	-	98079-5587G	VAB5
E-3	1	11100-Z6L-810	CRANKCASE ASSY.	1	-	-	11100-Z6L-820	QDX2
	4		BOLT, SEALING	0	-	-	15424-Z6L-000	QDX2
	8		SWITCH ASSY., OIL LEVEL	0	-	-	35480-Z6L-003	QDX2
	9	37240-ZG5-004	SWITCH, OIL PRESSURE	1	-	-		QDX2
	10	90002-ZG5-004	SCREW-WASHER, 4X8	1	-	-		QDX2
	16		O-RING, 37.9X2.4	0	-	-	91309-Z6L-000	QDX2
	23		BOLT, FLANGE, 6X16	0	-	-	95701-06016-00	QDX2
E-6	7	15410-Z6L-000	BASE COMP., OIL FILTER	1	-	-		QDX2
	8		BASE COMP., OIL FILTER	0	-	-	15410-Z6L-800	QDX2
	10	15424-Z6L-000	BOLT, SEALING	4	-	-	15424-Z6L-000	QDX2
	32		BOLT, FLANGE, 6X35	0	-	-	95701-06035-00	QDX2
	33	95701-06090-00	BOLT, FLANGE, 6X90	2	-	-		QDX2
E-7	4		CRANKSHAFT COMP.	0	-	-	13310-Z6L-620	VAB5
	8	13310-Z6L-630	CRANKSHAFT COMP.	1	-	-		VAB5

BOOKNo. : 13Z9EA01

Block No.	Ref. No.	Part No.	Description	Reqd. QTY			Base Part No.	Parts catalogue code
				GX 630R	GX 660R	GX 690R		

E-12 FAN COVER

Ref. No.	(Relative ref. Number)	Description	FRT
15	6201A5	GRID, SCREEN	0.1



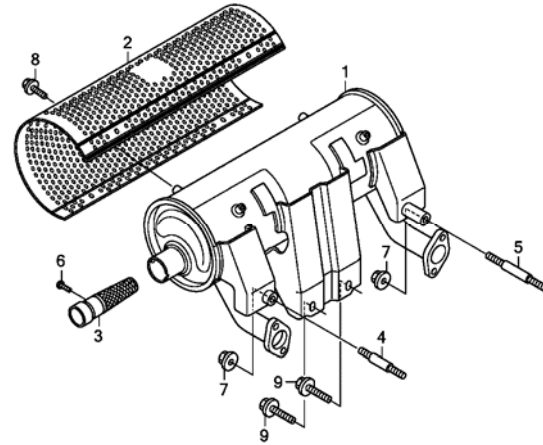
E-12	2	COVER COMP., FAN *NH1*..... BLACK	0 - -	19610-Z6L-000ZB	QDX2
		19610-Z6L-800ZA *R280*..... POWER RED	1 - -	19610-Z6L-000ZA	VAB5
		19610-Z6L-800ZB *NH1*..... BLACK	1 - -	19610-Z6L-000ZB	VAB5
	4	PROTECTOR, FAN COVER	0 - -	19621-Z6L-000	VAB5
	10	SCREW, SPECIAL, 4X10	0 - -	90005-Z6L-000	VAB5
	14	95701-06020-00 BOLT, FLANGE, 6X20	8 - -	95701-06020-00	VAB5
	15	28456-Z6L-800 COVER, SCREEN GRID	1 - -		VAB5
	16	90042-Z6L-800 BOLT, STUD	2 - -		VAB5
	17	94050-06000 NUT, FLANGE, 6MM	2 - -		VAB5
	18	95701-06040-00 BOLT, FLANGE, 6X40	3 - -		VAB5

BOOKNo. : 13Z9EA01

Block No.	Ref. No.	Part No.	Description	Reqd. QTY			Base Part No.	Parts catalogue code
				GX 630R	GX 660R	GX 690R		

E-16-2 MUFFLER (HIGH-R)

Ref. No.	(Relative ref. Number)	Description	FRT
1	3131C5	MUFFLER, EXHAUST	0.2
3	3131A1	ARRESTER, SPARK	0.1
. INCLUDES: Spark arrester check			



Z9E0E1802

E-16-2	1	18310-Z6L-003	MUFFLER COMP. (HIGH-R)	1	-	-		QDX2
	2	18321-ZJ1-010	PROTECTOR, MUFFLER (HIGH) (FUTABA)	1	-	-		QDX2
	3	18355-ZJ1-000	ARRESTER, SPARK	(1)	-	-		QDX2
	4	92900-08045-0B	BOLT, STUD, 8X45	1	-	-		QDX2
	5	92900-08060-0B	BOLT, STUD, 8X60	1	-	-		QDX2
	6	93901-250J0	SCREW, TAPPING, 5X8	(1)	-	-		QDX2
	7	94050-08000	NUT, FLANGE, 8MM	2	-	-		QDX2
	8	95701-06008-00	BOLT, FLANGE, 6X8	6	-	-		QDX2
	9	95701-08020-00	BOLT, FLANGE, 8X20	2	-	-		QDX2
E-19	3	31110-Z6L-801	FLYWHEEL COMP.	1	-	-	31110-Z6L-003	VAB5
	5	19619-Z0A-300	COLLAR, FAN COVER	3	-	-		VAB5

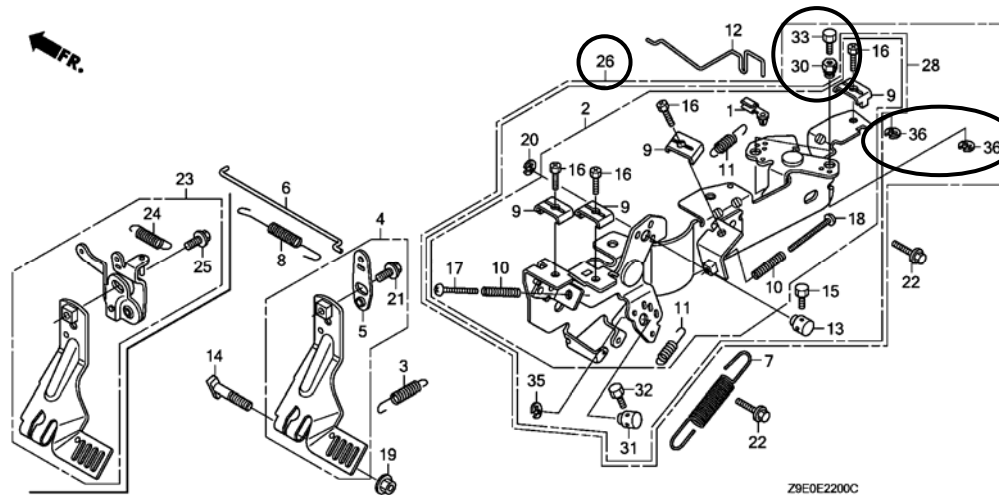
PARTS CATALOGUE NEWS

BOOKNo. : 13Z9EA01

Block No.	Ref. No.	Part No.	Description	Reqd. QTY			Base Part No.	Parts catalogue code
				GX 630R	GX 660R	GX 690R		
	7	28452-Z6L-800	GRID, SCREEN	1	-	-	VAB5	
	8	28454-Z6L-800	HOLDER, SCREEN GRID	1	-	-	VAB5	
	9	90131-S0X-A00	SCREW, TRUSS, 6X16	3	-	-	VAB5	
	10	95701-08018-00	BOLT, FLANGE, 8X18	3	-	-	VAB5	
E-20	3	31630-Z6L-811	COIL ASSY., CHARGE (26A)	1	-	-	31630-Z6L-003	VAB5
	6	32110-Z6L-000	HARNES ASSY., ENGINE WIRE ...	1	-	-	32110-Z6L-800	QDX2

E-22 CONTROL

Ref. No.	(Relative ref. Number)	Description	FRT
2	(26, 28)		
1161A5		CONTROL, THROTTLE/GOVERNOR ...	0.4



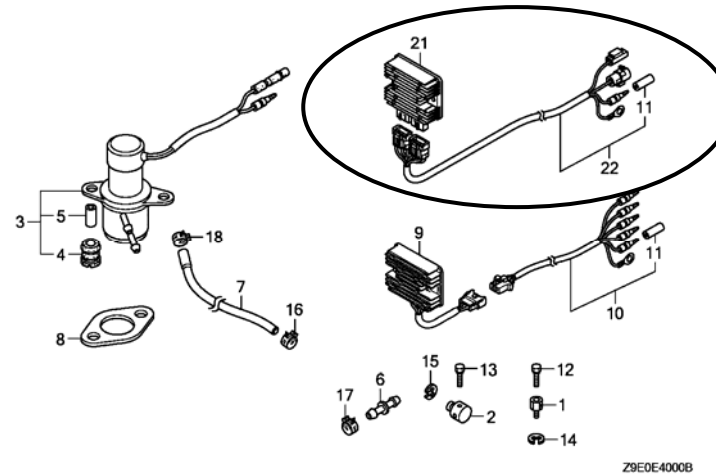
E-22	2		CONTROL ASSY.	0	-	-	16500-Z6L-000	
	13	16617-Z6L-000	HOLDER, CABLE	1	-	-		
	15	92301-04006-0H	BOLT, RECESSED, 4X6	1	-	-		
	20	94540-05018	E-RING, 5MM	1	-	-		
	26	16500-Z6L-810	CONTROL ASSY.	1	-	-		
	30	16594-883-010	HOLDER, WIRE	2	-	-		

PARTS CATALOGUE NEWS

BOOKNo. : 13Z9EA01

Block No.	Ref. No.	Part No.	Description	Reqd. QTY			Base Part No.	Parts catalogue code
				GX 630R	GX 660R	GX 690R		
	31	16617-Z6L-000	HOLDER, CABLE	1	-	-		
	32	92301-04006-0H	BOLT, RECESSED, 4X6	1	-	-		
	33	92301-04006-0H	BOLT, RECESSED, 4X6	2	-	-		
	35	94540-05018	E-RING, 5MM	1	-	-		
	36	94540-05018	E-RING, 5MM	2	-	-		
E-28	4	99004-16170	WRENCH, BOX (P16X17)	1	-	-	QDX2	

E-40 OTHER PARTS (FUEL PUMP) (REGULATOR RECTIFIER)



E-40	1		HOLDER, WIRE	0	-	-	16594-883-010	
	2		HOLDER, CABLE	0	-	-	16617-Z6L-000	
	3	16700-758-003	PUMP ASSY., FUEL	1	-	-	QDX2	
	4	16711-679-000	RUBBER, FUEL PUMP MOUNTING ...	2	-	-	QDX2	
	5	16712-657-300	COLLAR, FUEL PUMP DISTANCE ...	2	-	-	QDX2	
	6	16958-GJ6-000	JOINT, FUEL TUBE	1	-	-	QDX2	

PARTS CATALOGUE NEWS

BOOKNo. : 13Z9EA01

Block No.	Ref. No.	Part No.	Description	Reqd. QTY			Base Part No.	Parts catalogue code
				GX 630R	GX 660R	GX 690R		
	7	17732-Z6D-013	TUBE, FUEL SPECIAL (FKM)	1	-	-		QDX2
	9		RECTIFIER ASSY., REGULATOR (20A)	0	-	-	31750-Z2E-803	VAB5
	10		HARNESS ASSY., SUB WIRE	0	-	-	32105-Z6L-000	VAB5
	12		BOLT, RECESSED, 4X6	0	-	-	92301-04006-0H	
	13		BOLT, RECESSED, 4X6	0	-	-	92301-04006-0H	
	14		E-RING, 5MM	0	-	-	94540-05018	
	15		E-RING, 5MM	0	-	-	94540-05018	
	16	95002-40800-08	CLAMP, TUBE (D8)	1	-	-		QDX2
	17	95002-40850-08	CLAMP, TUBE (D8.5)	1	-	-		QDX2
	18	95002-40850-08	CLAMP, TUBE (D8.5)	1	-	-		QDX2
	21	31750-Z6L-004	RECTIFIER ASSY., REGULATOR (30A)	1	-	-		VAB5
	22	32105-Z6L-800	HARNESS ASSY., SUB WIRE	1	-	-		VAB5
E-40-1	4		MARK, THROTTLE INDICATION	0	-	-	87532-ZH7-800	QDX2
	5	87539-Z0J-000	MARK, EX. CAUTION (ENGLISH) ..	1	-	-	87539-Z0J-000	QDX2
	7	87539-Z0J-810	MARK, EX. CAUTION (FRENCH) ...	1	-	-	87539-Z0J-810	QDX2
EOP-1	1		MUFFLER KIT (HIGH-R)	(0)	-	-	06183-Z6L-010	QDX2
	2		ARRESTER KIT (HIGH)	(0)	-	-	06185-Z6L-000	QDX2
	3		MUFFLER COMP. (HIGH-R)	(0)	-	-	18310-Z6L-003	QDX2
	4		PROTECTOR, MUFFLER (HIGH) (FUTABA)	(0)	-	-	18321-ZJ1-010	QDX2
	5		ARRESTER, SPARK	(0)	-	-	18355-ZJ1-000	QDX2
	6		SCREW, TAPPING, 5X8	(0)	-	-	93901-250J0	QDX2
	7		BOLT, STUD, 8X45	(0)	-	-	92900-08045-0B	QDX2
	8		BOLT, STUD, 8X60	(0)	-	-	92900-08060-0B	QDX2

PARTS CATALOGUE NEWS

BOOKNo. : 13Z9EA01

Block No.	Ref. No.	Part No.	Description	Reqd. QTY			Base Part No.	Parts catalogue code
				GX 630R	GX 660R	GX 690R		
	9		NUT, FLANGE, 8MM	(0)	-	-	94050-08000	QDX2
	10		BOLT, FLANGE, 6X8	(0)	-	-	95701-06008-00	QDX2
	11		BOLT, FLANGE, 8X20	(0)	-	-	95701-08020-00	QDX2



PARTS CATALOGUE NEWS

Honda Motor Co., Ltd. Service Division

PARTS CATALOGUE - CORRECTED

Printed in Japan

CODE NO.	13Z9EA01
PARTS CATALOGUE NEWS	GX630R GX660R GX690R
NEWS NO.	004

Block No.	Ref. No.	Note	Part No.	Description	Reqd. QTY			Serial No.	Parts catalogue code
					GX 630R	GX 660R	GX 690R		
E-20	5	L	31750-735-013	RECTIFIER COMP., REGULATOR (5A)	1	1	1	-----	QXA, QXC2, QZA, QZE, QZE3, QZE4, VEP4, VXA1, VXD4, VXD8, VXE1 VXE2, VXE4, VZA, VZA2
					1	-	-	-----	1001284
	9	L	32115-Z6L-000	BRACKET, REGULATOR RECTIFIER .	1	1	1	-----	QXA, QXC2, QZA, QZE, QZE3, QZE4, VEP4, VXA1, VXD4, VXD8, VXE1 VXE2, VXE4, VZA, VZA2
					1	-	-	-----	1001284
	10	L	32183-Z6L-000	HARNESS ASSY., REGULATOR RECTIFIER	1	1	1	-----	QXA, QXC2, QZA, QZE, QZE3, QZE4, VEP4, VXA1, VXD4, VXD8, VXE1 VXE2, VXE4, VZA, VZA2
					1	-	-	-----	1001284
	14	L	95701-06008-00	BOLT, FLANGE, 6X8	1	1	1	-----	QXA, QXC2, QZA, QZE, QZE3, QZE4, VEP4, VXA1, VXD4, VXD8, VXE1 VXE2, VXE4, VZA, VZA2
					1	-	-	-----	1001284
	16	L	95701-06014-00	BOLT, FLANGE, 6X14	1	1	1	-----	QXA, QXC2, QZA, QZE, QZE3, QZE4, VEP4, VXA1, VXD4, VXD8, VXE1 VXE2, VXE4, VZA, VZA2
					1	-	-	-----	1001284
	17	L	95701-06030-00	BOLT, FLANGE, 6X30	1	1	1	-----	QXA, QXC2, QZA, QZE, QZE3, QZE4, VEP4, VXA1, VXD4, VXD8, VXE1 VXE2, VXE4, VZA, VZA2

NOTE A:PART NO. CHANGE D:NEWLY PROVIDED E:PART NO. DELETION K:REQUIRED NO. CORRECTION L:APPLICATION SERIAL NO. CORRECTION
T:APPLICATION CORRECTION Z:REMARKS CHANGE

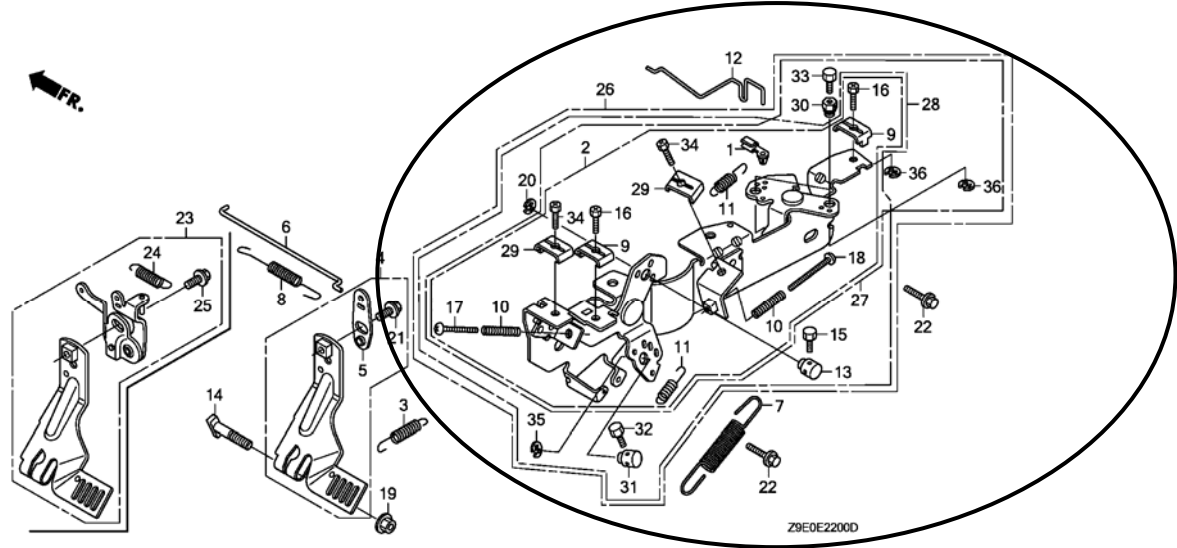
PARTS CATALOGUE NEWS

BOOKNo. : 13Z9EA01

Block No.	Ref. No.	Note	Part No.	Description	Reqd. QTY			Serial No.	Parts catalogue code
					GX 630R	GX 660R	GX 690R		
					1	-	-	----- 1001284	VD, VDB2, VXD, VXE8, VXP2

E-22 CONTROL

Ref. No.	(Relative ref. Number) Description	FRT
2	(26, 27, 28) 1161A5 CONTROL, THROTTLE/GOVERNOR ...	0.4



E-22	2	L	16500-Z6L-000	CONTROL ASSY.	1	-	-	-----	QAB, QXA, QXB1, QZA, VAF6
					1	-	-	----- 1000804	QAF1, QDF, QXC2, QXF, QXF4, QXF5, QXF6, QZA5, QZB, QZB2, QZB3, QZE, QZE4, QZF8, VEP4, VXA1, VXF, VZA
					1	-	-	----- 1001284	QAF, QAF3, QDF2, QDW, QYD, QYF, QZE3, VXE8, VXF4
					-	1	-	----- 1000338	BAF, BXF, BXF5, TAF, TXA2, TXF, TXF4, TXF5, TXF7
					-	1	-	----- 1000506	BDW, TDW, TXF9
					-	-	1	----- 1000442	BAF, BXF, BXF5, TAF, TXA2, TXF, TXF4, TXF5, TXF7
					-	-	1	----- 1000638	BDW, TDW, TXF9
		L	16500-Z6L-800	1	1	1	-----	VD, VDB2, VDC2, VXD, VXD4, VXD8, VXE1, VXE2, VXE4, VXP2, VZA2
					1	-	-	----- 1001212	QWF2
	9	K	16576-891-000	HOLDER, CABLE	2	2	2		

NOTE A:PART NO. CHANGE D:NEWLY PROVIDED E:PART NO.DELETION K:REQUIRED NO. CORRECTION L:APPLICATION SERIAL NO. CORRECTION
T:APPLICATION CORRECTION Z:REMARKS CHANGE

PARTS CATALOGUE NEWS

BOOKNo. : 13Z9EA01

Block No.	Ref. No.	Note	Part No.	Description	Reqd. QTY			Serial No.	Parts catalogue code	
					GX 630R	GX 660R	GX 690R			
	13	T	16617-Z6L-000	HOLDER, CABLE	1	1	1	-----	BAF, BXF, QAF1, QDF, QDX2, QXC2, QXF4, QXF6, QZA5, QZB, QZB2, QZB3, QZE, QZE4, QZF8, TAF, TXA2, TXF, TXF4, TXF7, VAB5, VEP4, VXA1, VXF, VZA	
					1	-	-	1000805	-----	QXF, QXF5, QZE3
					1	-	-	1001285	-----	QAF, QAF3, QDF2, QDW, QYD, QYF, VXE8, VXF4
					-	1	-	1000339	-----	BXF5, TXF5
					-	1	-	1000507	-----	BDW, TDW, TXF9
					-	-	1	1000443	-----	BXF5, TXF5
					-	-	1	1000639	-----	BDW, TDW, TXF9
	15	T	92301-04006-0H	BOLT, RECESSED, 4X6	1	1	1	-----	BAF, BXF, QAF1, QDF, QDX2, QXC2, QXF4, QXF6, QZA5, QZB, QZB2, QZB3, QZE, QZE4, QZF8, TAF, TXA2, TXF, TXF4, TXF7, VAB5, VEP4, VXA1, VXF, VZA	
					1	-	-	1000805	-----	QXF, QXF5
					1	-	-	1001285	-----	QAF, QAF3, QDF2, QDW, QYD, QYF, QZE3, VXE8, VXF4
					-	1	-	1000339	-----	BXF5, TXF5
					-	1	-	1000507	-----	BDW, TDW, TXF9
					-	-	1	1000443	-----	BXF5, TXF5
					-	-	1	1000639	-----	BDW, TDW, TXF9
	16	K	92301-05016-0A	BOLT, RECESSED, 5X16	2	2	2			
	20	T	94540-05018	E-RING, 5MM	1	1	1	-----	BAF, BXF, QAF1, QDF, QDX2, QXC2, QXF4, QXF6, QZA5, QZB, QZB2, QZB3, QZE, QZE4, QZF8, TAF, TXA2, TXF, TXF4, TXF7, VAB5, VEP4, VXA1, VXF, VZA	
					1	-	-	1000805	-----	QXF, QXF5
					1	-	-	1001285	-----	QAF, QAF3, QDF2, QDW, QYD, QYF, QZE3, VXE8, VXF4
					-	1	-	1000339	-----	BXF5, TXF5
					-	1	-	1000507	-----	BDW, TDW, TXF9
					-	-	1	1000443	-----	BXF5, TXF5

NOTE A:PART NO. CHANGE D:NEWLY PROVIDED E:PART NO.DELETION K:REQUIRED NO. CORRECTION L:APPLICATION SERIAL NO. CORRECTION
T:APPLICATION CORRECTION Z:REMARKS CHANGE

PARTS CATALOGUE NEWS

BOOKNo. : 13Z9EA01

Block No.	Ref. No.	Note	Part No.	Description	Reqd. QTY			Serial No.	Parts catalogue code
					GX 630R	GX 660R	GX 690R		
					-	-	1	1000639 -----	BDW, TDW, TXF9
	26	T	16500-Z6L-810	CONTROL ASSY.	1	-	-	-----	QDX2, VAB5
					1	-	-	1001285 -----	QAF, QAF3, QDF2, QDW, QYD, QYF, QZE3, VXE8, VXF4
					-	1	-	1000507 -----	BDW, TDW, TXF9
					-	-	1	1000639 -----	BDW, TDW, TXF9
	27	D	16500-Z6L-820	CONTROL ASSY.	1	-	-	1001213 -----	QWF2
	29	D	16576-891-000	HOLDER, CABLE	2	2	2	-----	BAF, BDW, BXF, BXF5, QAB, QAF, QAF1, QAF3, QDF, QDF2, QDW, QDX2, QXA, QXB1, QXC2, QXF, QXF4, QXF5, QXF6, QYD, QYF, QZA, QZA5, QZB, QZB2, QZB3, QZE, QZE3, QZE4, QZF8, TAF, TDW, TXA2, TXF, TXF4, TXF5, TXF7, TXF9, VAB5, VAF6, VEP4, VXA1, VXE8, VXF, VXF4, VZA
	30	T	16594-883-010	HOLDER, WIRE	2	-	-	-----	QDX2, VAB5
					2	-	-	1001285 -----	QAF, QAF3, QDF2, QDW, QWF2, QYD, QYF, QZE3, VXE8, VXF4
					-	2	-	1000507 -----	BDW, TDW, TXF9
					-	-	2	1000639 -----	BDW, TDW, TXF9
	31	T	16617-Z6L-000	HOLDER, CABLE	1	-	-	-----	QDX2, VAB5
					1	-	-	1000805 -----	QAF1, QDF, QXC2, QXF, QXF4, QXF5, QXF6, QZA5, QZB, QZB2, QZB3, QZE, QZE4, QZF8, VEP4, VXA1, VXF, VZA
					1	-	-	1001285 -----	QAF, QAF3, QDF2, QDW, QYD, QYF, QZE3, VXE8, VXF4
					-	1	-	1000339 -----	BAF, BXF, BXF5, TAF, TXA2, TXF, TXF4, TXF5, TXF7
					-	1	-	1000507 -----	BDW, TDW, TXF9
					-	-	1	1000443 -----	BAF, BXF, BXF5, TAF, TXA2, TXF, TXF4, TXF5, TXF7
					-	-	1	1000639 -----	BDW, TDW, TXF9
	32	T	92301-04006-0H	BOLT, RECESSED, 4X6	1	-	-	-----	QDX2, VAB5
					1	-	-	1000805 -----	QAF1, QDF, QXC2, QXF, QXF4, QXF5, QXF6, QZA5, QZB, QZB2, QZB3, QZE, QZE4, QZF8, VEP4, VXA1, VXF, VZA
					1	-	-	1001285 -----	QAF, QAF3, QDF2, QDW, QYD, QYF, QZE3, VXE8, VXF4
					-	1	-	1000339 -----	BAF, BXF, BXF5, TAF, TXA2, TXF, TXF4, TXF5, TXF7

NOTE A:PART NO. CHANGE D:NEWLY PROVIDED E:PART NO.DELETION K:REQUIRED NO. CORRECTION L:APPLICATION SERIAL NO. CORRECTION
T:APPLICATION CORRECTION Z:REMARKS CHANGE

PARTS CATALOGUE NEWS

BOOKNo. : 13Z9EA01

Block No.	Ref. No.	Note	Part No.	Description	Reqd. QTY			Serial No.	Parts catalogue code	
					GX 630R	GX 660R	GX 690R			
					-	1	-	1000507	-----	BDW, TDW, TXF9
					-	-	1	1000443	-----	BAF, BXF, BXF5, TAF, TXA2, TXF, TXF4, TXF5, TXF7
					-	-	1	1000639	-----	BDW, TDW, TXF9
	33	T	92301-04006-0H	BOLT, RECESSED, 4X6	2	-	-	-----	-----	QDX2, VAB5
					2	-	-	1001285	-----	QAF, QAF3, QDF2, QDW, QWF2, QYD, QYF, QZE3, VXE8, VXF4
					-	2	-	1000507	-----	BDW, TDW, TXF9
					-	-	2	1000639	-----	BDW, TDW, TXF9
	34	D	92301-05016-0A	BOLT, RECESSED, 5X16	2	2	2	-----	-----	BAF, BDW, BXF, BXF5, QAB, QAF, QAF1, QAF3, QDF, QDF2, QDW, QDX2, QXA, QXB1, QXC2, QXF, QXF4, QXF5, QXF6, QYD, QYF, QZA, QZA5, QZB, QZB2, QZB3, QZE, QZE3, QZE4, QZF8, TAF, TDW, TXA2, TXF, TXF4, TXF5, TXF7, TXF9, VAB5, VAF6, VEP4, VXA1, VXE8, VXF, VXF4, VZA
	35	T	94540-05018	E-RING, 5MM	1	-	-	-----	-----	QDX2, VAB5
					1	-	-	1000805	-----	QAF1, QDF, QXC2, QXF, QXF4, QXF5, QXF6, QZA5, QZB, QZB2, QZB3, QZE, QZE4, QZF8, VEP4, VXA1, VXF, VZA
					1	-	-	1001285	-----	QAF, QAF3, QDF2, QDW, QYD, QYF, QZE3, VXE8, VXF4
					-	1	-	1000339	-----	BAF, BXF, BXF5, TAF, TXA2, TXF, TXF4, TXF5, TXF7
					-	1	-	1000507	-----	BDW, TDW, TXF9
					-	-	1	1000443	-----	BAF, BXF, BXF5, TAF, TXA2, TXF, TXF4, TXF5, TXF7
					-	-	1	1000639	-----	BDW, TDW, TXF9
	36	T	94540-05018	E-RING, 5MM	2	-	-	-----	-----	QDX2, VAB5
					2	-	-	1001285	-----	QAF, QAF3, QDF2, QDW, QWF2, QYD, QYF, QZE3, VXE8, VXF4
					-	2	-	1000507	-----	BDW, TDW, TXF9
					-	-	2	1000639	-----	BDW, TDW, TXF9

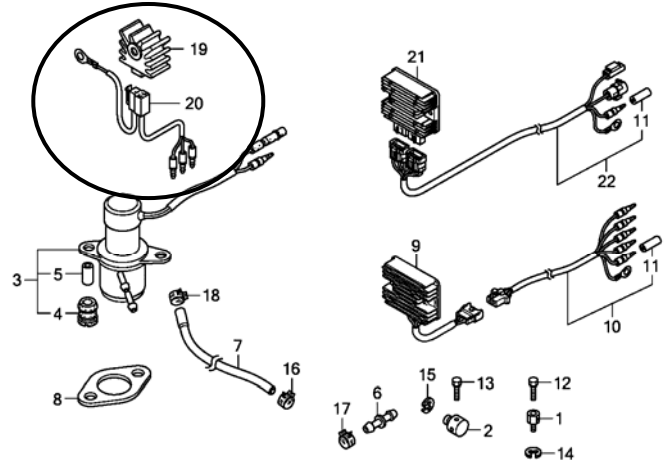
NOTE A:PART NO. CHANGE D:NEWLY PROVIDED E:PART NO.DELETION K:REQUIRED NO. CORRECTION L:APPLICATION SERIAL NO. CORRECTION
T:APPLICATION CORRECTION Z:REMARKS CHANGE

PARTS CATALOGUE NEWS

BOOKNo. : 13Z9EA01

Block No.	Ref. No.	Note	Part No.	Description	Reqd. QTY			Serial No.	Parts catalogue code
					GX 630R	GX 660R	GX 690R		

E-40 OTHER PARTS (FUEL PUMP) (REGULATOR RECTIFIER)



E-40	1	L	16594-883-010	HOLDER, WIRE	1	-	-	-----	1001212	QWF2
					1	-	-	-----	1001284	QAB, QAF, QAF3, QDF2, QDW, QXA, QXB1, QYD, QYF, QZA, QZE3, VAF6 VD, VDB2, VDC2, VXD, VXE8, VXF4, VXP2
					-	1	-	-----	1000506	BDW, TDW, TXF9
					-	-	1	-----	1000638	BDW, TDW, TXF9
	2	L	16617-Z6L-000	HOLDER, CABLE	1	-	-	-----	-----	QAB, QAF, QAF3, QDF2, QDW, QXA, QXB1, QYD, QYF, QZA, QZE3, VAF6 VXE8, VXF4
					1	-	-	-----	1000804	QXF, QXF5
					-	1	-	-----	1000338	BXF5, TXF5
					-	1	-	-----	1000506	BDW, TDW, TXF9
		L	92301-04006-0H	BOLT, RECESSED, 4X6	1	-	-	-----	1001212	QWF2
					-	-	1	-----	1000442	BXF5, TXF5
					-	-	1	-----	1000638	BDW, TDW, TXF9

NOTE A:PART NO. CHANGE D:NEWLY PROVIDED E:PART NO. DELETION K:REQUIRED NO. CORRECTION L:APPLICATION SERIAL NO. CORRECTION
T:APPLICATION CORRECTION Z:REMARKS CHANGE

PARTS CATALOGUE NEWS

BOOKNo. : 13Z9EA01

Block No.	Ref. No.	Note	Part No.	Description	Reqd. QTY			Serial No.	Parts catalogue code
					GX 630R	GX 660R	GX 690R		
					1	-	-	----- 1001284	QAB, QAF, QAF3, QDF2, QDW, QXA, QXB1, QYD, QYF, QZA, QZE3, VAF6 VD, VDB2, VDC2, VXD, VXE8, VXF4, VXP2
					-	1	-	----- 1000506	BDW, TDW, TXF9
					-	-	1	----- 1000638	BDW, TDW, TXF9
	13	L	92301-04006-0H	BOLT, RECESSED, 4X6	1	-	-	----- 1000804	QXF, QXF5
					1	-	-	----- 1001284	QAB, QAF, QAF3, QDF2, QDW, QXA, QXB1, QYD, QYF, QZA, QZE3, VAF6 VXE8, VXF4
					-	1	-	----- 1000338	BXF5, TXF5
					-	1	-	----- 1000506	BDW, TDW, TXF9
					-	-	1	----- 1000442	BXF5, TXF5
					-	-	1	----- 1000638	BDW, TDW, TXF9
	14	L	94540-05018	E-RING, 5MM	1	-	-	----- 1001212	QWF2
					1	-	-	----- 1001284	QAB, QAF, QAF3, QDF2, QDW, QXA, QXB1, QYD, QYF, QZA, QZE3, VAF6 VD, VDB2, VDC2, VXD, VXE8, VXF4, VXP2
					-	1	-	----- 1000506	BDW, TDW, TXF9
					-	-	1	----- 1000638	BDW, TDW, TXF9
	15	L	94540-05018	E-RING, 5MM	1	-	-	----- 1000804	QXF, QXF5
					1	-	-	----- 1001284	QAB, QAF, QAF3, QDF2, QDW, QXA, QXB1, QYD, QYF, QZA, QZE3, VAF6 VXE8, VXF4
					-	1	-	----- 1000338	BXF5, TXF5
					-	1	-	----- 1000506	BDW, TDW, TXF9
					-	-	1	----- 1000442	BXF5, TXF5
					-	-	1	----- 1000638	BDW, TDW, TXF9
	19	D	31750-735-013	RECTIFIER COMP., REGULATOR (5A)	1	-	-	1001285 -----	VD, VDB2, VXD, VXE8, VXP2
	20	D	32183-Z6L-000	HARNESS ASSY., REGULATOR RECTIFIER	1	-	-	1001285 -----	VD, VDB2, VXD, VXE8, VXP2

NOTE A:PART NO. CHANGE D:NEWLY PROVIDED E:PART NO.DELETION K:REQUIRED NO. CORRECTION L:APPLICATION SERIAL NO. CORRECTION
T:APPLICATION CORRECTION Z:REMARKS CHANGE



PARTS CATALOGUE NEWS

Honda Motor Co., Ltd. Service Division

PARTS CATALOGUE - CORRECTED

Printed in Japan

CODE NO.	13Z9EA01
PARTS CATALOGUE NEWS	GX630R GX660R GX690R
NEWS NO.	005

Block No.	Ref. No.	Note	Part No.	Description	Reqd. QTY			Serial No.	Parts catalogue code
					GX 630R	GX 660R	GX 690R		
E-12	2	T	19610-Z6L-000ZB	COVER COMP., FAN *NH1*.....BLACK	1	-	1	-----	BAF, BDW, BXF, BXF5, QAB, QAF, QAF1, QAF3, QDF, QDF2, QDW, QWF2, QXA, QXB1, QXC2, QXF, QXF4, QXF6, QYD, QYF, QZA, QZB, QZE, QZE3, QZE4, TAF, TDW, TXA2, TXF, TXF4, TXF5, TXF7, TXF9, VAF6, VD, VDB2, VXA1, VXD, VXD2, VXD4, VXD8, VXE1, VXE4, VXE8, VXF, VXF4, VXP2, VZA, VZA2
					-	1	-		

NOTE A:PART NO. CHANGE D:NEWLY PROVIDED E:PART NO.DELETION K:REQUIRED NO. CORRECTION L:APPLICATION SERIAL NO. CORRECTION
T:APPLICATION CORRECTION Z:REMARKS CHANGE



PARTS CATALOGUE NEWS

Honda Motor Co., Ltd. Service Division

Printed in Japan

CODE NO.	13Z9EA01
PARTS CATALOGUE NEWS	GX630R GX660R GX690R
NEWS NO.	006

GX630R-QDP2, TXA2 AND VXD2 TYPES sales parts information

NOTE: This Parts Catalogue News explains only the parts of the different model that are produced to conform to addition of the GX630R-QDP2, TXA2 and VXD2 types.

As for the parts not listed on this Parts Catalogue News, use the parts of the GX630R-QDF2, VXF and VXE2 types.

•Models, parts catalogue codes and applicable serial numbers

Model	Type		Parts catalogue type	Applicable engine serial No.	Applicable carburetor identification No.
GX630R	QDF2	Base type	QDF2	GCBEK-1000001~	BK07A A
	QDP2	Additional type	QDP2		
	VXF	Base type	VXF		
	TXA2	Additional type	TXA2		BK07L A
	VXE2	Base type	VXE2		
	VXD2	Additional type	VXD2		

•Features of each type		Base type	Additional type	Base type	Additional type	Base type	Additional type	
Model		GX630R						
Specifications		Type	QDF2	QDP2	VXF	TXA2	VXE2	VXD2
Crankshaft	25.4 mm Ø Straight (L=138)		●	●				
	28.575 mm Ø Straight (L=162)					●		
	36.5 mm Ø Straight (L=175.2)							
	5/16" Tapered				●		●	●
	7/16" Tapered							
	M10 Tapered							
Muffler	Side mount							
	High-R		(●)	(●)	(●)	(●)	(●)	(●)
	High-L		(●)	(●)	(●)	(●)	(●)	(●)
Spark arrester			(●)	(●)	(●)	(●)	(●)	(●)
Control box					●	●	●	●

PARTS CATALOGUE NEWS

BOOKNo. : 13Z9EA01

Block No.	Ref. No.	Part No.	Description	Reqd. QTY			Base Part No.	Parts catalogue code
				GX 630R	GX 660R	GX 690R		
E-2	18	98079-5287E	PLUG, SPARK (FR2A)	2	-	-	98079-5587G	QDP2
E-3	4		BOLT, SEALING	0	-	-	15424-Z6L-000	QDP2
	9	37240-ZG5-004	SWITCH, OIL PRESSURE	1	-	-		QDP2
	10	90002-ZG5-004	SCREW-WASHER, 4X8	1	-	-		QDP2
E-6	1	11300-Z6L-010	COVER ASSY., CRANKCASE	1	-	-	11300-Z6L-000	
	3	15140-Z6L-010	GEAR COMP., OIL PUMP	1	-	-	15140-Z6L-000	
	13	16510-Z6L-010	GOVERNOR ASSY.	1	-	-	16510-Z6L-000	
	14	16511-Z6L-310	WEIGHT, GOVERNOR	3	-	-	16511-Z6L-300	
	15	16512-Z6L-310	HOLDER, GOVERNOR WEIGHT	1	-	-	16512-Z6L-300	
E-7	2	13310-Z6L-600	CRANKSHAFT COMP. (L=162)	1	-	-		TXA2
	4		CRANKSHAFT COMP.	0	-	-	13310-Z6L-620	TXA2
E-12	2		COVER COMP., FAN *NH1*..... BLACK	0	-	-	19610-Z6L-000ZB	QDP2
		19610-Z6L-000ZB	*NH1*..... BLACK	1	-	-		VXD2
E-14	7	16100-Z9E-851	CARBURETOR ASSY. (BK07G A) ...	1	-	-	16100-Z9E-861	VXD2
E-28	1	87516-ZH7-010	MARK, OPERATOR CAUTION (ENGLISH) (MADE IN JAPAN)	1	-	-	87519-ZH7-000	TXA2
	4		WRENCH, BOX (P16X17)	0	-	-	99004-16170	TXA2
		99004-16170	1	-	-		VXD2
E-40	2		HOLDER, CABLE	0	-	-	16617-Z6L-000	QDP2
E-40-1	1		MARK, OPERATOR CAUTION (ENGLISH) (MADE IN JAPAN)	0	-	-	87516-ZH7-010	TXA2
	3	87519-ZH7-000	MARK, OPERATOR CAUTION (PICTOGRAPH)	1	-	-		TXA2



PARTS CATALOGUE NEWS

Honda Motor Co., Ltd. Service Division

PARTS CATALOGUE - CORRECTED

Printed in Japan

CODE NO.	13Z9EA01
PARTS CATALOGUE NEWS	GX630R GX660R GX690R
NEWS NO.	007

Block No.	Ref. No.	Note	Part No.	Description	Reqd. QTY			Serial No.	Parts catalogue code	
					GX 630R	GX 660R	GX 690R			
E-22	17	E	93500-05045-0A	*PARTS NO. DELETION						
		D	93500-05040-0A	SCREW, PAN, 5X40	1	1	1	-----	-----	QWF2, VD, VDB2, VDC2, VXD, VXD2, VXD4, VXD8, VXE1, VXE2, VXE4 VXP2, VZA2
	18	E	93500-05040-0A	*PARTS NO. DELETION						
		D	93500-05045-0A	SCREW, PAN, 5X45	1	1	1	-----	-----	BAF, BDW, BXF, BXF5, QAB, QAF, QAF1, QAF3, QDF, QDF2, QDP2, QDW QDX2, QXA, QXB1, QXC2, QXF, QXF4, QXF5, QXF6, QYD, QYF, QZA QZA5, QZB, QZB2, QZB3, QZE, QZE3, QZE4, QZF8, TAF, TDW, TXA2 TXF, TXF4, TXF5, TXF7, TXF9, VAB5, VAF6, VEP4, VXA1, VXE8, VXF VXF4, VZA

NOTE A:PART NO. CHANGE D:NEWLY PROVIDED E:PART NO.DELETION K:REQUIRED NO. CORRECTION L:APPLICATION SERIAL NO. CORRECTION
T:APPLICATION CORRECTION Z:REMARKS CHANGE



PARTS CATALOGUE NEWS

Honda Motor Co., Ltd. Service Division

PARTS CATALOGUE - CORRECTED

Printed in Japan

CODE NO.	13Z9EA01
PARTS CATALOGUE NEWS	GX630R GX660R GX690R
NEWS NO.	008

Block No.	Ref. No.	Note	Part No.	Description	Reqd. QTY			Serial No.	Parts catalogue code	
					GX 630R	GX 660R	GX 690R			
E-22	2	D	16500-Z6L-010	CONTROL ASSY.	1	-	-	----- 1000804	QAF1, QDF, QXC2, QXF, QXF4, QXF5, QXF6, QZA5, QZB, QZB2, QZB3, QZE, QZE4, QZF8, VEP4, VXA1, VXF, VZA	
					1	-	-	----- 1001284	QAF, QAF3, QDF2, QDW, QYD, QYF, QZE3, VXE8, VXF4	
					-	1	-	----- 1000506	BDW, TDW, TXF9	
					-	-	1	----- 1000442	BAF, BXF, BXF5, TAF, TXA2, TXF, TXF4, TXF5, TXF7	
					-	-	1	----- 1000638	BDW, TDW, TXF9	
17	E		93500-05045-0A	*PARTS NO. DELETION						
	D		93500-05040-0A	SCREW, PAN, 5X40	1	1	1	-----	QWF2, VD, VDB2, VDC2, VXD, VXD2, VXD4, VXD8, VXE1, VXE2, VXE4, VXP2, VZA2	
18	E		93500-05040-0A	*PARTS NO. DELETION						
	D		93500-05045-0A	SCREW, PAN, 5X45	1	1	1	-----	BAF, BDW, BXF, BXF5, QAB, QAF, QAF1, QAF3, QDF, QDF2, QDP2, QDW, QDX2, QXA, QXB1, QXC2, QXF, QXF4, QXF5, QXF6, QYD, QYF, QZA, QZA5, QZB, QZB2, QZB3, QZE, QZE3, QZE4, QZF8, TAF, TDW, TXA2, TXF, TXF4, TXF5, TXF7, TXF9, VAB5, VAF6, VEP4, VXA1, VXE8, VXF, VXF4, VZA	
26	T		16500-Z6L-810	CONTROL ASSY.	1	-	-	-----	QDP2, QDX2, VAB5	
					1	-	-	1000805	-----	QAF1, QDF, QXC2, QXF, QXF4, QXF5, QXF6, QZA5, QZB, QZB2, QZB3, QZE, QZE4, QZF8, VEP4, VXA1, VXF, VZA
					1	-	-	1001285	-----	QAF, QAF3, QDF2, QDW, QYD, QYF, QZE3, VXE8, VXF4

NOTE A:PART NO. CHANGE D:NEWLY PROVIDED E:PART NO. DELETION K:REQUIRED NO. CORRECTION L:APPLICATION SERIAL NO. CORRECTION
T:APPLICATION CORRECTION Z:REMARKS CHANGE

PARTS CATALOGUE NEWS

BOOKNo. : 13Z9EA01

Block No.	Ref. No.	Note	Part No.	Description	Reqd. QTY			Serial No.	Parts catalogue code
					GX 630R	GX 660R	GX 690R		
					-	1	-	1000507 -----	BDW, TDW, TXF9
					-	-	1	1000443 -----	BAF, BXF, BXF5, TAF, TXA2, TXF, TXF4, TXF5, TXF7
					-	-	1	1000639 -----	BDW, TDW, TXF9

NOTE A:PART NO. CHANGE D:NEWLY PROVIDED E:PART NO. DELETION K:REQUIRED NO. CORRECTION L:APPLICATION SERIAL NO. CORRECTION
T:APPLICATION CORRECTION Z:REMARKS CHANGE



PARTS CATALOGUE NEWS

Honda Motor Co., Ltd. Service Division

PARTS CATALOGUE - CORRECTED

Printed in Japan

CODE NO.	13Z9EA01
PARTS CATALOGUE NEWS	GX630R GX660R GX690R
NEWS NO.	009

Block No.	Ref. No.	Note	Part No.	Description	Reqd. QTY			Serial No.	Parts catalogue code		
					GX 630R	GX 660R	GX 690R				
E-22	26		16500-Z6L-810	CONTROL ASSY.	1	-	-	-----	QDP2, QDX2, VAB5		
					1	-	-	1001285	-----	QAF, QAF3, QDF2, QDW, QYD, QYF, QZE3, VXE8, VXF4	
					-	1	-	1000507	1001700	BDW, TDW, TXF9	
					-	-	1	1000639	-----	BDW, TDW, TXF9	
					-	1	-	1001701	-----	BDW, TDW, TXF9	
	28			16500-Z6L-830	CONTROL ASSY.	1	-	-	-----	TXA2	
						1	-	-	1000805	-----	QAF1, QDF, QXC2, QXF, QXF4, QXF5, QXF6, QZA5, QZB, QZB2, QZB3, QZE, QZE4, QZF8, VEP4, VXA1, VXF, VZA
						-	1	-	1000339	1001912	BAF, BXF, BXF5, TAF, TXA2, TXF, TXF4, TXF5, TXF7
						-	-	1	1000443	1001591	BAF, BXF, BXF5, TAF, TXA2, TXF, TXF4, TXF5, TXF7
						-	1	-	1001913	-----	BAF, BXF, BXF5, TAF, TXA2, TXF, TXF4, TXF5, TXF7
A			16500-Z6L-831	-	-	1	1001592	-----	BAF, BXF, BXF5, TAF, TXA2, TXF, TXF4, TXF5, TXF7	

NOTE A:PART NO. CHANGE D:NEWLY PROVIDED E:PART NO. DELETION K:REQUIRED NO. CORRECTION L:APPLICATION SERIAL NO. CORRECTION
T:APPLICATION CORRECTION Z:REMARKS CHANGE



PARTS CATALOGUE NEWS

Honda Motor Co., Ltd. Service Division

PARTS CATALOGUE - CORRECTED

Printed in Japan

CODE NO.	13Z9EA01
PARTS CATALOGUE NEWS	GX630R GX660R GX690R
NEWS NO.	010

Block No.	Ref. No.	Note	Part No.	Description	Reqd. QTY			Serial No.	Parts catalogue code					
					GX 630R	GX 660R	GX 690R							
E-16	2		18321-Z6L-801	PROTECTOR, MUFFLER (OUTSIDE) .	1	-	-	----- 1003560	QZB					
		A	18321-Z6L-802	1	-	-	1003561 -----	QZB					
	3		18325-Z6L-800	PROTECTOR, MUFFLER (INSIDE) ..	1	-	-	----- 1003560	QZB					
		A	18325-Z6L-801	1	-	-	1003561 -----	QZB					
	4		18330-Z6L-800	PIPE COMP., EX.	1	-	-	----- 1003560	QZB					
		A	18330-Z6L-801	1	-	-	1003561 -----	QZB					
E-22	28	L	16500-Z6L-830	CONTROL ASSY.	1	-	-	----- 1005899	TXA2					
					1	-	-	1000805 1005899	QAF1, QDF, QXC2, QXF, QXF4, QXF5, QXF6, QZA5, QZB, QZB2, QZB3 QZE, QZE4, QZF8, VEP4, VXA1, VXF, VZA					
					-	1	-	1000339 1001912	BAF, BXF, BXF5, TAF, TXA2, TXF, TXF4, TXF5, TXF7					
					-	-	1	1000443 1001591	BAF, BXF, BXF5, TAF, TXA2, TXF, TXF4, TXF5, TXF7					
					1	-	-	1005900 -----	QAF1, QDF, QXC2, QXF, QXF4, QXF5, QXF6, QZA5, QZB, QZB2, QZB3 QZE, QZE4, QZF8, TXA2, VEP4, VXA1, VXF, VZA					
					-	1	-	1001913 -----	BAF, BXF, BXF5, TAF, TXA2, TXF, TXF4, TXF5, TXF7					
	T	16500-Z6L-831	1	-	-	-	-----	TXF2					
										-	-	1	-----	TXF2
										-	-	1	1001592 -----	BAF, BXF, BXF5, TAF, TXA2, TXF, TXF4, TXF5, TXF7
										-	-	1	-----	TXF2

NOTE A:PART NO. CHANGE D:NEWLY PROVIDED E:PART NO. DELETION K:REQUIRED NO. CORRECTION L:APPLICATION SERIAL NO. CORRECTION
T:APPLICATION CORRECTION Z:REMARKS CHANGE



PARTS CATALOGUE NEWS

Honda Motor Co., Ltd. Service Division

Printed in Japan

CODE NO.	13Z9EA01
PARTS CATALOGUE NEWS	GX630R GX660R GX690R
NEWS NO.	011

GX630R-QAF2, TXF2 AND GX690R-TXF2 TYPES sales parts information

NOTE: This Parts Catalogue News explains only the parts of the different model that are produced to conform to addition of the GX630R-QAF2, TXF2 and GX690R-TXF2 types.

As for the parts not listed on this Parts Catalogue News, use the parts of the GX630R-QAF, TXA2 and GX690R-TXF types.

•Models, parts catalogue codes and applicable serial numbers

Model	Type		Parts catalogue type	Applicable engine serial No.	Applicable carburetor identification No.
GX630R	QAF	Base type	QAF	GCBEK-1000001~	BK07A A
	QAF2	Additional type	QAF2		BK07C A
	TXA2	Base type	TXA2		BK07A A
	TXF2	Additional type	TXF2		BK07C A
GX690R	TXF	Base type	TXF	GCBGK-1000001~	BK05A A
	TXF2	Additional type	TXF2		BK05C A

•Features of each type		Base type	Additional type	Base type	Additional type	Base type	Additional type
		GX630R				GX690R	
Specifications	Model	QAF	QAF2	TXA2	TXF2	TXF	TXF2
	Type						
Crankshaft	25.4 mm Ø Straight (L=138)	●	●				
	28.575 mm Ø Straight (L=162)			●	●	●	●
	36.5 mm Ø Straight (L=175.2)						
	5/16" Tapered						
	7/16" Tapered						
	M10 Tapered						
Muffler	Side mount						
	High-R	(●)	(●)	(●)	(●)	(●)	(●)
	High-L	(●)	(●)	(●)	(●)	(●)	(●)
Spark arrester		(●)	(●)	(●)	(●)	(●)	(●)
Control box				●	●	●	●

PARTS CATALOGUE NEWS

BOOKNo. : 13Z9EA01

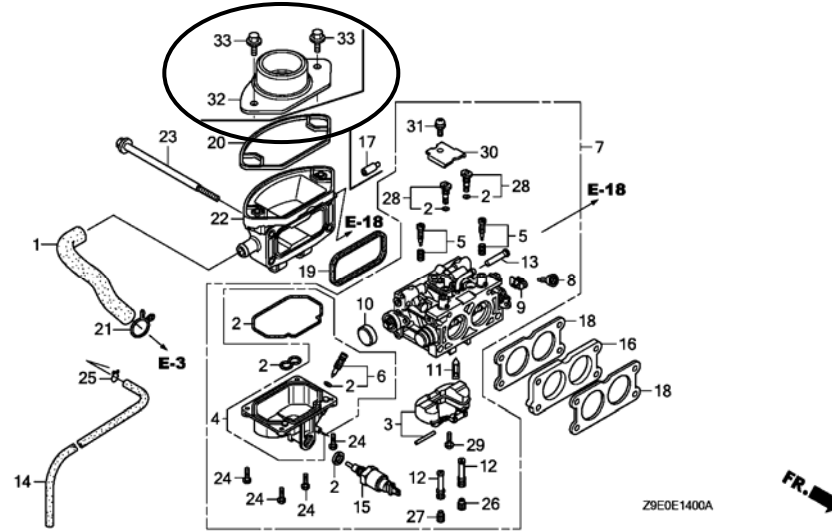
Block No.	Ref. No.	Part No.	Description	Reqd. QTY			Base Part No.	Parts catalogue code
				GX 630R	GX 660R	GX 690R		
E-3	7	16541-Z6L-010	SHAFT, GOVERNOR ARM	1	-	1	16541-Z6L-000	
E-6	1	11300-Z6L-010	COVER ASSY., CRANKCASE	1	-	-	11300-Z6L-000	QAF2
				-	-	1		
	3	15140-Z6L-010	GEAR COMP., OIL PUMP	1	-	-	15140-Z6L-000	QAF2
				-	-	1		
	13	16510-Z6L-010	GOVERNOR ASSY.	1	-	-	16510-Z6L-000	QAF2
				-	-	1		
	14	16511-Z6L-310	WEIGHT, GOVERNOR	3	-	-	16511-Z6L-300	QAF2
				-	-	3		
	15	16512-Z6L-310	HOLDER, GOVERNOR WEIGHT	1	-	-	16512-Z6L-300	QAF2
				-	-	1		
E-12	4	19621-Z6L-000	PROTECTOR, FAN COVER	1	-	-		QAF2
	5		PROTECTOR, FAN COVER (P. T. O.)	0	-	-	19621-Z6L-800	QAF2

BOOKNo. : 13Z9EA01

Block No.	Ref. No.	Part No.	Description	Reqd. QTY			Base Part No.	Parts catalogue code
				GX 630R	GX 660R	GX 690R		

E-14 CARBURETOR

Ref. No.	(Relative ref. Number)	Description	FRT
20	(32)		
3121E8		SEAL, AIR CLEANER CASE	0.2



E-14	7	16100-Z6L-801	CARBURETOR ASSY. (BK05C A) ...	-	-	1	16100-Z6L-003
		16100-Z9E-801	CARBURETOR ASSY. (BK07C A) ...	1	-	-	16100-Z9E-003
	12	16166-Z8N-003	NOZZLE, MAIN	-	-	2	16166-Z6L-003
		16166-Z9E-801	2	-	-	16166-Z8N-003
	26	99101-ZH8-1120	JET, MAIN, #112	-	-	(1)	99101-ZH8-1050
		99101-ZH8-1180	JET, MAIN, #118	-	-	(1)	99101-ZH8-1100
		99101-ZH8-1250	JET, MAIN, #125	-	-	1	99101-ZH8-1180
	27	99101-ZH8-0900	JET, MAIN, #90	(1)	-	-	99101-ZH8-0920
		99101-ZH8-0950	JET, MAIN, #95	(1)	-	-	99101-ZH8-0980
		99101-ZH8-1020	JET, MAIN, #102	1	-	-	99101-ZH8-1050
		99101-ZH8-1150	JET, MAIN, #115	-	-	(1)	99101-ZH8-1050
		99101-ZH8-1220	JET, MAIN, #122	-	-	1	99101-ZH8-1180

PARTS CATALOGUE NEWS

BOOKNo. : 13Z9EA01

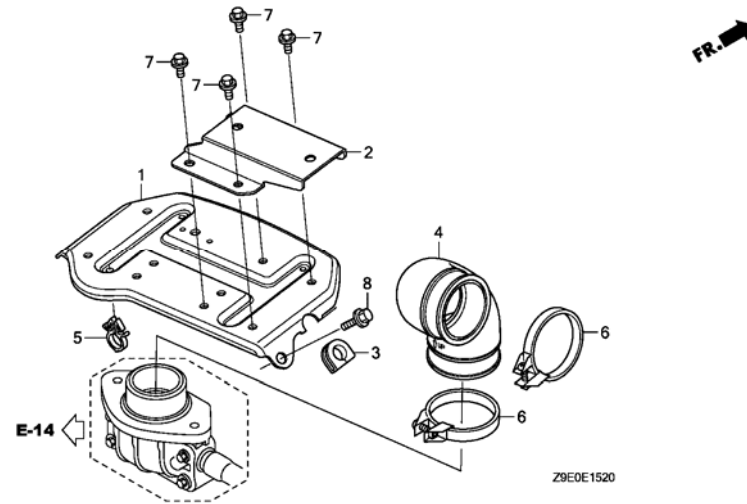
Block No.	Ref. No.	Part No.	Description	Reqd. QTY			Base Part No.	Parts catalogue code
				GX 630R	GX 660R	GX 690R		
	32	17416-Z6L-000	JOINT, CONNECTING TUBE	1	-	1		
	33	95701-06012-00	BOLT, FLANGE, 6X12	2	-	2		
E-15	1		ELEMENT COMP., AIR CLEANER ...	0	-	0	17210-Z6L-010	
	2		CASE COMP., AIR CLEANER	0	-	0	17220-Z6L-000	
	3		STAY COMP., AIR CLEANER ELEMENT	0	-	0	17223-Z6L-000	
	4		COVER COMP., AIR CLEANER	0	-	0	17230-Z6L-000	
	5		GROMMET, AIR CLEANER	0	-	0	17232-Z2E-000	
	6		KNOB, AIR CLEANER COVER	0	-	0	17235-Z6L-300	
	7		SPRING, AIR CLEANER CASE COVER	0	-	0	17236-Z6L-300	
	8		PACKING, AIR CLEANER CASE	0	-	0	17417-Z6L-000	
	9		COLLAR, FAN COVER	0	-	0	19619-Z0A-300	
	10		NUT, TOOL BOX SETTING	0	-	0	90325-044-000	
	11		CAP, SEALING	0	-	0	90802-Z6L-000	
	12		NUT, FLANGE, 6MM	0	-	0	94050-06000	
	13		BOLT, FLANGE, 6X18	0	-	0	95701-06018-00	

BOOKNo. : 13Z9EA01

Block No.	Ref. No.	Part No.	Description	Reqd. QTY	Base Part No.	Parts catalogue code
				GX 630R		

E-15-20 AIR CLEANER STAY

Ref. No.	(Relative ref. Number)	Description	FRT
4	3121K5	TUBE, AIR CLEANER CONNECTING	0.1



E-15-20	1	17222-Z6L-000	STAY COMP., AIR CLEANER	1	-	1	
	2	17224-Z6L-000	SUB STAY, AIR CLEANER	1	-	1	
	3	17226-Z6L-000	GROMMET, AIR CLEANER STAY	1	-	1	
	4	17251-Z6L-810	TUBE, AIR CLEANER CONNECTING	1	-	1	
	5	90682-735-A01	CLIP, WIRE HARNESS	1	-	1	
	6	95018-58320	BAND, AIR CLEANER CONNECTING TUBE (58)	2	-	2	
	7	95701-06012-00	BOLT, FLANGE, 6X12	4	-	4	
	8	95701-08016-00	BOLT, FLANGE, 8X16	1	-	1	
E-22	2	16500-Z6L-010	CONTROL ASSY.	1	-	-	
	4	16550-Z6L-010	ARM COMP., GOVERNOR	1	-	1	16550-Z6L-000
	13		HOLDER, CABLE	0	-	-	16617-Z6L-000

PARTS CATALOGUE NEWS

BOOKNo. : 13Z9EA01

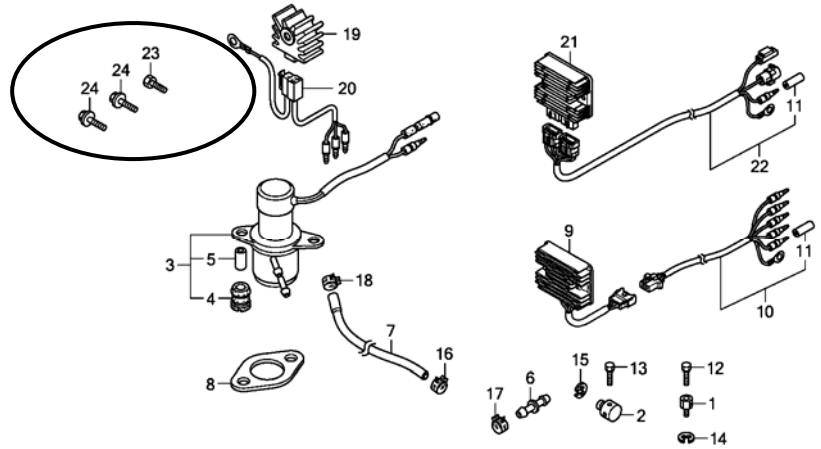
Block No.	Ref. No.	Part No.	Description	Reqd. QTY			Base Part No.	Parts catalogue code
				GX 630R	GX 660R	GX 690R		
	15		BOLT, RECESSED, 4X6	0	-	-	92301-04006-0H	
	20		E-RING, 5MM	0	-	-	94540-05018	
	26		CONTROL ASSY.	0	-	-	16500-Z6L-810	QAF2
	28		CONTROL ASSY.	0	-	-	16500-Z6L-831	TXF2
	30		HOLDER, WIRE	0	-	-	16594-883-010	QAF2
	31		HOLDER, CABLE	0	-	-	16617-Z6L-000	
	32		BOLT, RECESSED, 4X6	0	-	-	92301-04006-0H	
	33		BOLT, RECESSED, 4X6	0	-	-	92301-04006-0H	QAF2
	35		E-RING, 5MM	0	-	-	94540-05018	
	36		E-RING, 5MM	0	-	-	94540-05018	QAF2
E-23	1		LEVER ASSY., THROTTLE	0	-	-	17850-Z6L-003	TXF2
	2		CABLE COMP., THROTTLE	0	-	-	17910-Z6L-000	TXF2
	3		CABLE COMP., CHOKE	0	-	-	17950-Z6L-000	TXF2
	4		KNOB, CHOKE	0	-	-	17951-ZV1-000	TXF2
	7	32346-Z6L-800	PANEL, CONTROL	1	-	-	32346-Z6L-000	TXF2
	14		MARK, THROTTLE SWITCH	0	-	-	87502-Z6L-000	TXF2
	15	87506-Z6L-000	MARK, HOLE COVER	1	-	-		TXF2
	16		BOLT, SOCKET, 5X9	0	-	-	90011-Z0H-811	TXF2
	20		BAND, WIRE, 95MM	0	-	-	90650-KV6-003	TXF2

PARTS CATALOGUE NEWS

BOOKNo. : 13Z9EA01

Block No.	Ref. No.	Part No.	Description	Reqd. QTY			Base Part No.	Parts catalogue code
				GX 630R	GX 660R	GX 690R		

E-40 OTHER PARTS (FUEL PUMP) (REGULATOR RECTIFIER)



Z9E0E4000D

E-40	2		HOLDER, CABLE	0	-	-	16617-Z6L-000	QAF2
	8	18333-ZE3-801	GASKET, EX. PIPE	2	-	2	18333-ZE3-800	
	23	90003-ZE3-600	BOLT, HEX., 3/8-24UNF (25MM) ..	1	-	-		TXF2
	24	95701-08014-00	BOLT, FLANGE, 8X14	2	-	2		
E-40-1	4	87532-ZH7-800	MARK, THROTTLE INDICATION	1	-	-		TXF2



PARTS CATALOGUE NEWS

Honda Motor Co., Ltd. Service Division

PARTS CATALOGUE - CORRECTED

Printed in Japan

CODE NO.	13Z9EA01
PARTS CATALOGUE NEWS	GX630R GX660R GX690R
NEWS NO.	012

Block No.	Ref. No.	Note	Part No.	Description	Reqd. QTY			Serial No.	Parts catalogue code
					GX 630R	GX 660R	GX 690R		
E-20	6	T	32110-Z6L-800	HARNESS ASSY., ENGINE WIRE ...	1	1	1	-----	QXB1, TXF9, VD, VDB2, VXD, VXE8, VXF4, VXP2
					1	-	-	1004974	-----
	7	L	32110-Z6L-830	HARNESS ASSY., ENGINE WIRE ...	1	1	1	-----	BXF, BXF5, QXF, QXF5, QXF6, QZA5, QZB, QZB2, QZB3, QZF8, TXA2 TXF, TXF2, TXF4, TXF5, TXF7, VXF
					1	-	-	-----	1004973
	11	L	90650-KV6-003	BAND, WIRE, 95MM	1	-	-	-----	QAB, QAF, QAF1, QAF2, QAF3, QDF, QDF2, QDP2, QDW, QDX2, QWF2 QXA, QXB1, QXC2, QXF, QXF5, QXF6, QYD, QYF, QZA, QZA5, QZB, QZB2 QZB3, QZE, QZE3, QZE4, QZF8, TXA2, TXF2, VAB5, VAF6, VD, VDB2 VDC2, VEP4, VXA1, VXD, VXD2, VXD4, VXD8, VXE1, VXE2, VXE8, VXF VXF4, VXP2, VZA, VZA2
1					-	-	-----	1004973	QXF4
12	T	90672-SB2-003	STRAP, CABLE, 105MM(BLACK) ...	1	1	1	-----	BDW, QAB, QAF, QAF2, QAF3, QDF2, QDP2, QDW, QDX2, QWF2, QXB1 QYD, QYF, TDW, TXF9, VAB5, VAF6, VD, VDB2, VDC2, VXD, VXE8, VXF4 VXP2	
				1	-	-	-----	1004974	QXF4
				-	1	1			
E-22	23		16550-Z6L-800	ARM COMP., GOVERNOR	1	1	-	-----	QWF2, VD, VDB2, VDC2, VXD, VXD2, VXD4, VXE2, VXE4, VZA2
					-	-	1	-----	1001963
	A		16550-Z6L-801	-	-	1	-----	1001964

NOTE A:PART NO. CHANGE D:NEWLY PROVIDED E:PART NO. DELETION K:REQUIRED NO. CORRECTION L:APPLICATION SERIAL NO. CORRECTION
T:APPLICATION CORRECTION Z:REMARKS CHANGE

PARTS CATALOGUE NEWS

BOOKNo. : 13Z9EA01

Block No.	Ref. No.	Note	Part No.	Description	Reqd. QTY			Serial No.	Parts catalogue code
					GX 630R	GX 660R	GX 690R		
	26	T	16500-Z6L-811	CONTROL ASSY.	1	-	-	1004974 -----	QXF4
					-	1	-	1001701 -----	BDW, TDW, TXF9
	28	L	16500-Z6L-831	CONTROL ASSY.	1	-	-	1004565 -----	QAF1, QDF, QXC2, QXF, QXF5, QXF6, QZA5, QZB, QZB2, QZB3, QZE, QZE4, QZF8, TXA2, VEP4, VXA1, VXF, VZA
					1	-	-	1004565 1004973	QXF4
					-	1	-	1001913 -----	BAF, BXF, BXF5, TAF, TXA2, TXF, TXF4, TXF5, TXF7
					-	-	1	-----	TXF2
					-	-	1	1001592 -----	BAF, BXF, BXF5, TAF, TXA2, TXF, TXF4, TXF5, TXF7
	30	T	16594-883-010	HOLDER, WIRE	2	-	-	-----	QDP2, QDX2, VAB5
					2	-	-	1001285 -----	QAF, QAF3, QDF2, QDW, QWF2, QYD, QYF, QZE3, VXE8, VXF4
					2	-	-	1004974 -----	QXF4
					-	2	-	1000507 -----	BDW, TDW, TXF9
					-	-	2	1000639 -----	BDW, TDW, TXF9
	33	T	92301-04006-0H	BOLT, RECESSED, 4X6	2	-	-	-----	QDP2, QDX2, VAB5
					2	-	-	1001285 -----	QAF, QAF3, QDF2, QDW, QWF2, QYD, QYF, QZE3, VXE8, VXF4
					2	-	-	1004974 -----	QXF4
					-	2	-	1000507 -----	BDW, TDW, TXF9
					-	-	2	1000639 -----	BDW, TDW, TXF9
	36	T	94540-05018	E-RING, 5MM	2	-	-	-----	QDP2, QDX2, VAB5
					2	-	-	1001285 -----	QAF, QAF3, QDF2, QDW, QWF2, QYD, QYF, QZE3, VXE8, VXF4
					2	-	-	1004974 -----	QXF4
					-	2	-	1000507 -----	BDW, TDW, TXF9
					-	-	2	1000639 -----	BDW, TDW, TXF9
E-23	1	L	17850-Z6L-003	LEVER ASSY., THROTTLE	1	1	1	-----	BAF, BXF, QAF1, QDF, QXC2, QXF6, QZA5, QZB, QZB2, QZB3, QZE, QZE4, QZF8, TAF, TXA2, TXF, TXF4, TXF7, VEP4, VXA1, VXF, VZA

NOTE A:PART NO. CHANGE D:NEWLY PROVIDED E:PART NO.DELETION K:REQUIRED NO. CORRECTION L:APPLICATION SERIAL NO. CORRECTION
T:APPLICATION CORRECTION Z:REMARKS CHANGE

PARTS CATALOGUE NEWS

BOOKNo. : 13Z9EA01

Block No.	Ref. No.	Note	Part No.	Description	Reqd. QTY			Serial No.	Parts catalogue code
					GX 630R	GX 660R	GX 690R		
					1	-	-	----- 1004973	QXF4
					-	-	1	-----	TXF2
	2	L	17910-Z6L-000	CABLE COMP. , THROTTLE	1	1	1	-----	BAF, BXF, QAF1, QDF, QXC2, QXF6, QZA5, QZB, QZB2, QZB3, QZE QZE4, QZF8, TAF, TXA2, TXF, TXF4, TXF7, VEP4, VXA1, VXF, VZA
					1	-	-	----- 1004973	QXF4
					-	-	1	-----	TXF2
	3	L	17950-Z6L-000	CABLE COMP. , CHOKE	1	1	1	-----	BAF, BXF, BXF5, QAF1, QDF, QXC2, QXF, QXF5, QXF6, QZA5, QZB QZB2, QZB3, QZE, QZE4, QZF8, TAF, TXA2, TXF, TXF4, TXF5, TXF7 VEP4, VXA1, VXD2, VXD4, VXD8, VXE1, VXE2, VXE4, VXF, VZA, VZA2
					1	-	-	----- 1004973	QXF4
					-	-	1	-----	TXF2
	4	L	17951-ZV1-000	KNOB, CHOKE	1	1	1	-----	BAF, BXF, BXF5, QAF1, QDF, QXC2, QXF, QXF5, QXF6, QZA5, QZB QZB2, QZB3, QZE, QZE4, QZF8, TAF, TXA2, TXF, TXF4, TXF5, TXF7 VEP4, VXA1, VXD2, VXD4, VXD8, VXE1, VXE2, VXE4, VXF, VZA, VZA2
					1	-	-	----- 1004973	QXF4
					-	-	1	-----	TXF2
	5	L	31612-Z6L-000	COVER, CONTROL	1	1	1	-----	BAF, BXF, BXF5, QAF1, QDF, QXA, QXC2, QXF, QXF5, QXF6, QZA, QZA5 QZB, QZB2, QZB3, QZE, QZE3, QZE4, QZF8, TAF, TXA2, TXF, TXF2 TXF4, TXF5, TXF7, VEP4, VXA1, VXD2, VXD4, VXD8, VXE1, VXE2 VXE4, VXF, VZA, VZA2
					1	-	-	----- 1004973	QXF4
	6	L	31614-Z6L-000	BRACKET, SWITCH BOX	1	1	1	-----	BAF, BXF, BXF5, QAF1, QDF, QXA, QXC2, QXF, QXF5, QXF6, QZA, QZA5 QZB, QZB2, QZB3, QZE, QZE3, QZE4, QZF8, TAF, TXA2, TXF, TXF2 TXF4, TXF5, TXF7, VEP4, VXA1, VXD2, VXD4, VXD8, VXE1, VXE2 VXE4, VXF, VZA, VZA2
					1	-	-	----- 1004973	QXF4
	7	L	32346-Z6L-000	PANEL, CONTROL	1	1	1	-----	BAF, BXF, QAF1, QDF, QXC2, QXF6, QZA5, QZB, QZB2, QZB3, QZE QZE4, QZF8, TAF, TXA2, TXF, TXF4, TXF7, VEP4, VXA1, VXF, VZA
					1	-	-	----- 1004973	QXF4
					-	-	1	-----	TXF2

NOTE A:PART NO. CHANGE D:NEWLY PROVIDED E:PART NO.DELETION K:REQUIRED NO. CORRECTION L:APPLICATION SERIAL NO. CORRECTION
T:APPLICATION CORRECTION Z:REMARKS CHANGE

PARTS CATALOGUE NEWS

BOOKNo. : 13Z9EA01

Block No.	Ref. No.	Note	Part No.	Description	Reqd. QTY			Serial No.	Parts catalogue code
					GX 630R	GX 660R	GX 690R		
	8	L	32347-Z6L-000	BRACKET, CONTROL BOX	1	1	1	-----	BAF, BXF, BXF5, QAF1, QDF, QXA, QXC2, QXF, QXF5, QXF6, QZA, QZA5, QZB, QZB2, QZB3, QZE, QZE3, QZE4, QZF8, TAF, TXA2, TXF, TXF2, TXF4, TXF5, TXF7, VEP4, VXA1, VXD2, VXD4, VXD8, VXE1, VXE2, VXE4, VXF, VZA, VZA2
					1	-	-	-----	1004973 QXF4
	9	L	35100-Z6L-003	SWITCH ASSY., COMBINATION	1	1	1	-----	BAF, BXF, BXF5, QAF1, QDF, QXA, QXC2, QXF, QXF5, QXF6, QZA, QZA5, QZB, QZB2, QZB3, QZE, QZE3, QZE4, QZF8, TAF, TXA2, TXF, TXF2, TXF4, TXF5, TXF7, VEP4, VXA1, VXD2, VXD4, VXD8, VXE1, VXE2, VXE4, VXF, VZA, VZA2
					1	-	-	-----	1004973 QXF4
	10	L	38216-Z2E-003	COVER ASSY., FUSE	1	1	1	-----	BAF, BXF, BXF5, QAF1, QDF, QXA, QXC2, QXF, QXF5, QXF6, QZA, QZA5, QZB, QZB2, QZB3, QZE, QZE3, QZE4, QZF8, TAF, TXA2, TXF, TXF2, TXF4, TXF5, TXF7, VEP4, VXA1, VXD2, VXD4, VXD8, VXE1, VXE2, VXE4, VXF, VZA, VZA2
					1	-	-	-----	1004973 QXF4
	11	L	39700-Z6L-003	METER ASSY., HOUR	1	1	1	-----	BAF, BXF, BXF5, QAF1, QDF, QXA, QXC2, QXF, QXF5, QXF6, QZA, QZA5, QZB, QZB2, QZB3, QZE, QZE3, QZE4, QZF8, TAF, TXA2, TXF, TXF2, TXF4, TXF5, TXF7, VEP4, VXA1, VXD2, VXD4, VXD8, VXE1, VXE2, VXE4, VXF, VZA, VZA2
					1	-	-	-----	1004973 QXF4
	12	L	87117-Z2E-800	LABEL, FUSE (30A)	1	1	1	-----	BAF, BXF, BXF5, QAF1, QDF, QXA, QXC2, QXF, QXF5, QXF6, QZA, QZA5, QZB, QZB2, QZB3, QZE, QZE3, QZE4, QZF8, TAF, TXA2, TXF, TXF2, TXF4, TXF5, TXF7, VEP4, VXA1, VXD2, VXD4, VXD8, VXE1, VXE2, VXE4, VXF, VZA, VZA2
					1	-	-	-----	1004973 QXF4
	13	L	87501-Z6L-000	MARK, ENGINE SWITCH	1	1	1	-----	BXF, BXF5, QXA, QXC2, QXF, QXF5, QXF6, QZA, QZA5, QZB, QZB2, QZB3, QZE, QZE3, QZE4, QZF8, TXA2, TXF, TXF2, TXF4, TXF5, TXF7, VEP4, VXA1, VXD2, VXD4, VXD8, VXE1, VXE2, VXE4, VXF, VZA, VZA2
					1	-	-	-----	1004973 QXF4
	14	L	87502-Z6L-000	MARK, THROTTLE SWITCH	1	1	1	-----	BAF, BXF, QAF1, QDF, QXC2, QXF6, QZA5, QZB, QZB2, QZB3, QZE, QZE4, QZF8, TAF, TXA2, TXF, TXF4, TXF7, VEP4, VXA1, VXF, VZA
					1	-	-	-----	1004973 QXF4
					-	-	1	-----	TXF2

NOTE A:PART NO. CHANGE D:NEWLY PROVIDED E:PART NO.DELETION K:REQUIRED NO. CORRECTION L:APPLICATION SERIAL NO. CORRECTION
T:APPLICATION CORRECTION Z:REMARKS CHANGE

PARTS CATALOGUE NEWS

BOOKNo. : 13Z9EA01

Block No.	Ref. No.	Note	Part No.	Description	Reqd. QTY			Serial No.	Parts catalogue code
					GX 630R	GX 660R	GX 690R		
	16	L	90011-Z0H-811	BOLT, SOCKET, 5X9	2	2	2	-----	BAF, BXF, QAF1, QDF, QXC2, QXF6, QZA5, QZB, QZB2, QZB3, QZE, QZE4, QZF8, TAF, TXA2, TXF, TXF4, TXF7, VEP4, VXA1, VXF, VZA
					2	-	-	----- 1004973	QXF4
					-	-	2	-----	TXF2
	17	L	90101-SP1-003	SCREW, TAPPING, 3X8 (PO)	2	2	2	-----	BAF, BXF, BXF5, QAF1, QDF, QXA, QXC2, QXF, QXF5, QXF6, QZA, QZA5, QZB, QZB2, QZB3, QZE, QZE3, QZE4, QZF8, TAF, TXA2, TXF, TXF2, TXF4, TXF5, TXF7, VEP4, VXA1, VXD2, VXD4, VXD8, VXE1, VXE2, VXE4, VXF, VZA, VZA2
					2	-	-	----- 1004973	QXF4
	18	L	90380-MB2-000	SCREW, SPECIAL, 6X8	1	1	1	-----	BAF, BXF, BXF5, QAF1, QDF, QXA, QXC2, QXF, QXF5, QXF6, QZA, QZA5, QZB, QZB2, QZB3, QZE, QZE3, QZE4, QZF8, TAF, TXA2, TXF, TXF2, TXF4, TXF5, TXF7, VEP4, VXA1, VXD2, VXD4, VXD8, VXE1, VXE2, VXE4, VXF, VZA, VZA2
					1	-	-	----- 1004973	QXF4
	19	L	90601-Z6L-000	GROMMET, CONTROL BOX	1	1	1	-----	BAF, BXF, BXF5, QAF1, QDF, QXA, QXC2, QXF, QXF5, QXF6, QZA, QZA5, QZB, QZB2, QZB3, QZE, QZE3, QZE4, QZF8, TAF, TXA2, TXF, TXF2, TXF4, TXF5, TXF7, VEP4, VXA1, VXD2, VXD4, VXD8, VXE1, VXE2, VXE4, VXF, VZA, VZA2
					1	-	-	----- 1004973	QXF4
	20	L	90650-KV6-003	BAND, WIRE, 95MM	1	1	1	-----	BAF, BXF, BXF5, QAF1, QDF, QXC2, QXF, QXF5, QXF6, QZA5, QZB, QZB2, QZB3, QZE, QZE4, QZF8, TAF, TXA2, TXF, TXF4, TXF5, TXF7, VEP4, VXA1, VXD2, VXD4, VXD8, VXE1, VXE2, VXE4, VXF, VZA, VZA2
					1	-	-	----- 1004973	QXF4
					-	-	1	-----	TXF2
	21	L	90681-763-A01	CLIP, WIRE HARNESS	1	1	1	-----	BAF, BXF, BXF5, QAF1, QDF, QXA, QXC2, QXF, QXF5, QXF6, QZA, QZA5, QZB, QZB2, QZB3, QZE, QZE3, QZE4, QZF8, TAF, TXA2, TXF, TXF2, TXF4, TXF5, TXF7, VEP4, VXA1, VXD2, VXD4, VXD8, VXE1, VXE2, VXE4, VXF, VZA, VZA2
					1	-	-	----- 1004973	QXF4
	22	L	91508-GN2-000	SCREW, PAN, 5X10.5	2	2	2	-----	BAF, BXF, BXF5, QAF1, QDF, QXA, QXC2, QXF, QXF5, QXF6, QZA, QZA5, QZB, QZB2, QZB3, QZE, QZE3, QZE4, QZF8, TAF, TXA2, TXF, TXF2, TXF4, TXF5, TXF7, VEP4, VXA1, VXD2, VXD4, VXD8, VXE1, VXE2, VXE4, VXF, VZA, VZA2

NOTE A:PART NO. CHANGE D:NEWLY PROVIDED E:PART NO.DELETION K:REQUIRED NO. CORRECTION L:APPLICATION SERIAL NO. CORRECTION
T:APPLICATION CORRECTION Z:REMARKS CHANGE

PARTS CATALOGUE NEWS

BOOKNo. : 13Z9EA01

Block No.	Ref. No.	Note	Part No.	Description	Reqd. QTY			Serial No.	Parts catalogue code
					GX 630R	GX 660R	GX 690R		
					2	-	-	----- 1004973	QXF4
	23	L	91565-SEL-003	CLIP, COUPLER (BLACK)	2	2	2	----- -----	BAF, BXF, BXF5, QAF1, QDF, QXA, QXC2, QXF, QXF5, QXF6, QZA, QZA5 QZB, QZB2, QZB3, QZE, QZE3, QZE4, QZF8, TAF, TXA2, TXF, TXF2 TXF4, TXF5, TXF7, VEP4, VXA1, VXD2, VXD4, VXD8, VXE1, VXE2 VXE4, VXF, VZA, VZA2
					2	-	-	----- 1004973	QXF4
	24	L	93893-05008-07	SCREW-WASHER, 5X8	1	1	1	----- -----	BAF, BXF, BXF5, QAF1, QDF, QXA, QXC2, QXF, QXF5, QXF6, QZA, QZA5 QZB, QZB2, QZB3, QZE, QZE3, QZE4, QZF8, TAF, TXA2, TXF, TXF2 TXF4, TXF5, TXF7, VEP4, VXA1, VXD2, VXD4, VXD8, VXE1, VXE2 VXE4, VXF, VZA, VZA2
					1	-	-	----- 1004973	QXF4
	25	L	93913-25310	SCREW, TAPPING, 5X14 (P0)	1	1	1	----- -----	BAF, BXF, BXF5, QAF1, QDF, QXA, QXC2, QXF, QXF5, QXF6, QZA, QZA5 QZB, QZB2, QZB3, QZE, QZE3, QZE4, QZF8, TAF, TXA2, TXF, TXF2 TXF4, TXF5, TXF7, VEP4, VXA1, VXD2, VXD4, VXD8, VXE1, VXE2 VXE4, VXF, VZA, VZA2
					1	-	-	----- 1004973	QXF4
	26	L	98200-43000	FUSE, MINI (30A)	1	1	1	----- -----	BAF, BXF, BXF5, QAF1, QDF, QXA, QXC2, QXF, QXF5, QXF6, QZA, QZA5 QZB, QZB2, QZB3, QZE, QZE3, QZE4, QZF8, TAF, TXA2, TXF, TXF2 TXF4, TXF5, TXF7, VEP4, VXA1, VXD2, VXD4, VXD8, VXE1, VXE2 VXE4, VXF, VZA, VZA2
					1	-	-	----- 1004973	QXF4
E-28	4	T	99004-16170	WRENCH, BOX (P16X17)	1	1	1	----- -----	BXF5, QDX2, QXF, QXF5, QZE3, TXF4, TXF5, TXF9, VD, VEP4, VXD VXD2, VXD8, VXF
					1	-	-	1004974 -----	QXF4

NOTE A:PART NO. CHANGE D:NEWLY PROVIDED E:PART NO. DELETION K:REQUIRED NO. CORRECTION L:APPLICATION SERIAL NO. CORRECTION
T:APPLICATION CORRECTION Z:REMARKS CHANGE



PARTS CATALOGUE NEWS

Honda Motor Co., Ltd.

Customer Service Technology Development Division

PARTS CATALOGUE - CORRECTED

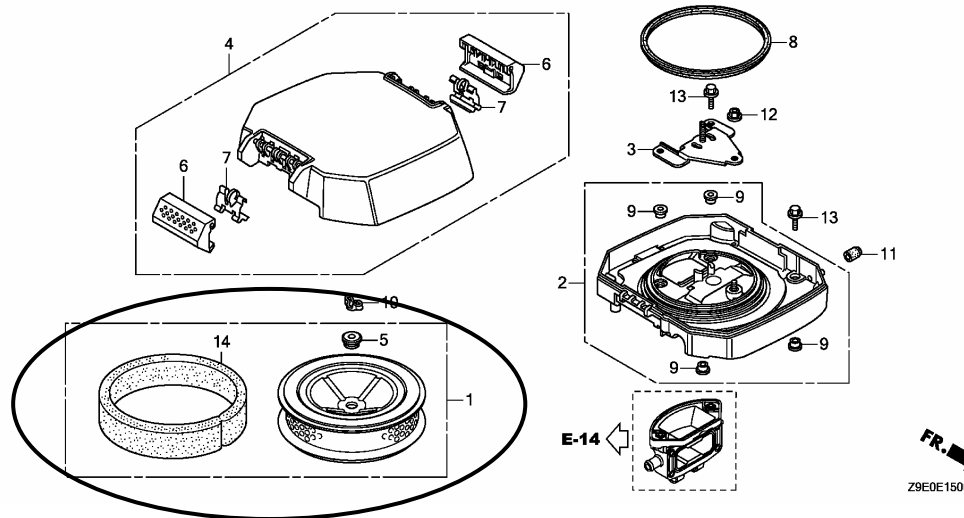
Printed in Japan

CODE NO.	13Z9EA01
PARTS CATALOGUE NEWS	GX630R GX660R GX690R
NEWS NO.	013

Block No.	Ref. No.	Note	Part No.	Description	Reqd. QTY	Serial No.	Parts catalogue code
					GX 630R GX 660R GX 690R		

E-15 AIR CLEANER

Ref. No.	(Relative ref. Number) Description	FRT
14 3121C1	FILTER, OUTER INCLUDES: Outer filter-inspection	0.1



NOTE A:PART NO. CHANGE D:NEWLY PROVIDED E:PART NO.DELETION K:REQUIRED NO. CORRECTION L:APPLICATION SERIAL NO. CORRECTION
T:APPLICATION CORRECTION Z:REMARKS CHANGE

PARTS CATALOGUE NEWS

BOOKNo. : 13Z9EA01

Block No.	Ref. No.	Note	Part No.	Description	Reqd. QTY			Serial No.	Parts catalogue code
					GX 630R	GX 660R	GX 690R		
E-15	14	D	17218-Z6L-000	FILTER, OUTER.....	1	-	-	-----	TXA2, VXE1, VXE2, QAB, QAF, QAF1, QAF3, QDF, QDF2, QDP2, QDW QDX2, QWF2, QXA, QXB1, QXC2, QXF, QXF4, QXF5, QXF6, QYD, QYF QZA, QZA5, QZB, QZB2, QZB3, QZE, QZE3, QZE4, QZF8, VAB5, VAF6 VD, VDB2, VDC2, VEP4, VXA1, VXD, VXD2, VXD4, VXD8, VXE8, VXF VXF4, VXP2, VZA, VZA2
					-	1	1	-----	TXA2, VXE1, VXE2, QAB, QAF, QAF1, QAF3, QDF, QDF2, QDP2, QDW QDX2, QWF2, QXA, QXB1, QXC2, QXF, QXF4, QXF5, QXF6, QYD, QYF QZA, QZA5, QZB, QZB2, QZB3, QZE, QZE3, QZE4, QZF8, VAB5, VAF6 VD, VDB2, VDC2, VEP4, VXA1, VXD, VXD2, VXD4, VXD8, VXE8, VXF VXF4, VXP2, VZA, VZA2TXA2, VXE1, VXE2, BAF, BDW, BXF, BXF5, TAF TDW, TXF, TXF4, TXF5, TXF7, TXF9, VXE4

NOTE A:PART NO. CHANGE D:NEWLY PROVIDED E:PART NO.DELETION K:REQUIRED NO. CORRECTION L:APPLICATION SERIAL NO. CORRECTION
T:APPLICATION CORRECTION Z:REMARKS CHANGE



PARTS CATALOGUE NEWS

Honda Motor Co., Ltd.
Customer Service Technology Development Division

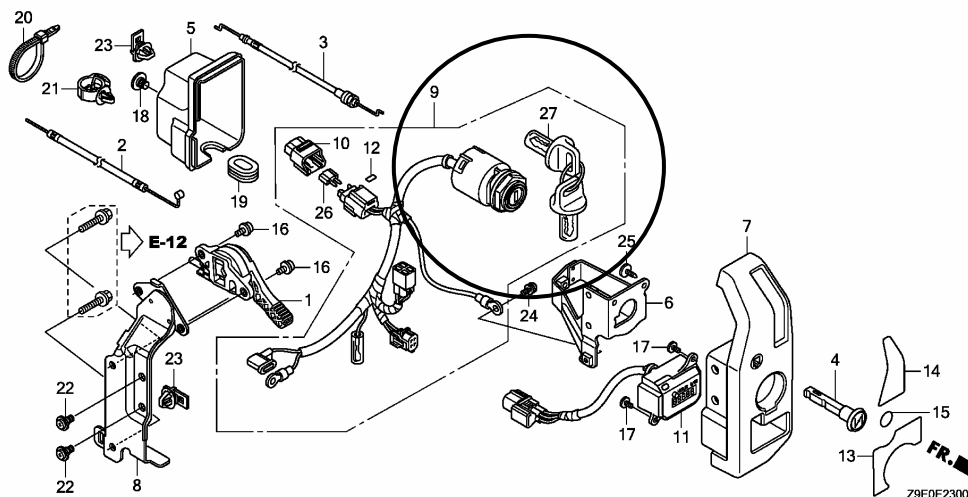
PARTS CATALOGUE - CORRECTED

Printed in Japan

CODE NO.	13Z9EA01
PARTS CATALOGUE NEWS	GX630R GX660R GX690R
NEWS NO.	014

Block No.	Ref. No.	Note	Part No.	Description	Reqd. QTY			Serial No.	Parts catalogue code
					GX 630R	GX 660R	GX 690R		

E-23 CONTROL BOX



E-23	27	D	35110-ZV5-V50	KEY ASSY., COMBINATION SWITCH (W05)	2	2	2	BAF, BXF, BXF5, QAF1, QDF, QXA, QXC2, QXF, QXF4, QXF5, QXF6, QZA, QZA5, QZB, QZB2, QZB3, QZE, QZE3, QZE4, QZF8, TAF, TXA2, TXF, TXF2, TXF4, TXF5, TXF7, VEP4, VXA1, VXD2, VXD4, VXD8, VXE1, VXE2, VXE4, VXF, VZA, VZA2
------	----	---	---------------	-------------------------------------	---	---	---	--

NOTE A:PART NO. CHANGE D:NEWLY PROVIDED E:PART NO.DELETION K:REQUIRED NO. CORRECTION L:APPLICATION SERIAL NO. CORRECTION
T:APPLICATION CORRECTION Z:REMARKS CHANGE



PARTS CATALOGUE NEWS

Honda Motor Co., Ltd.
Customer Service Technology Development Division

Printed in Japan

CODE NO.	13Z9EA01
PARTS CATALOGUE NEWS	GX630R GX660R GX690R
NEWS NO.	015

GX630R-KAF,KWF,KXA AND GX690R-KXA TYPES sales parts information

NOTE: This Parts Catalogue News explains only the parts of the different model that are produced to conform to addition of the GX630R-KAF,KWF,KXA and GX690R-KXA types.

As for the parts not listed on this Parts Catalogue News, use the parts of the GX630R-QAF,QWF2,TXA2 and GX690R-TXA2 types.

•Models, parts catalogue codes and applicable serial numbers

Model	Type		Parts catalogue type	Applicable engine serial No.	Applicable carburetor identification No.
GX630R	QAF	Base type	QAF	GCBEK-1000001~	BK07A A
	KAF	Additional type	KAF		BK07A C
	QWF2	Base type	QWF2		BK07G A
	KWF	Additional type	KWF		BK07A C
	TXA2	Base type	TXA2		BK07A A
	KXA	Additional type	KXA		BK07A C
GX690R	TXA2	Base type	TXA2	GCBGK-1000001~	BK05A A
	KXA	Additional type	KXA		BK05A B

•Features of each type		Base type	Additional type	Base type	Additional type	Base type	Additional type	Base type	Additional type
		GX630R						GX690R	
Specifications	Model	QAF	KAF	QWF2	KWF	TXA2	KXA	TXA2	KXA
	Type								
Crankshaft	25.4 mm Ø Straight (L=138)	●		●					
	28.575 mm Ø Straight (L=162)					●		●	
	36.5 mm Ø Straight (L=175.2)								
	5/16" Tapered								
	7/16" Tapered								
	M10 Tapered								
	38 mm Ø Inner spline (13 Teeth)						●		●
	38 mm Ø Inner spline (9 Teeth)		●		●				
Muffler	Side mount								
	High-R	(●)	(●)	(●)	(●)	(●)	(●)	(●)	(●)
	High-L	(●)	(●)	(●)	(●)	(●)	(●)	(●)	(●)
Spark arrester		(●)	(●)	(●)	(●)	(●)	(●)	(●)	(●)
Control box						●	●	●	●

PARTS CATALOGUE NEWS

BOOKNo. : 13Z9EA01

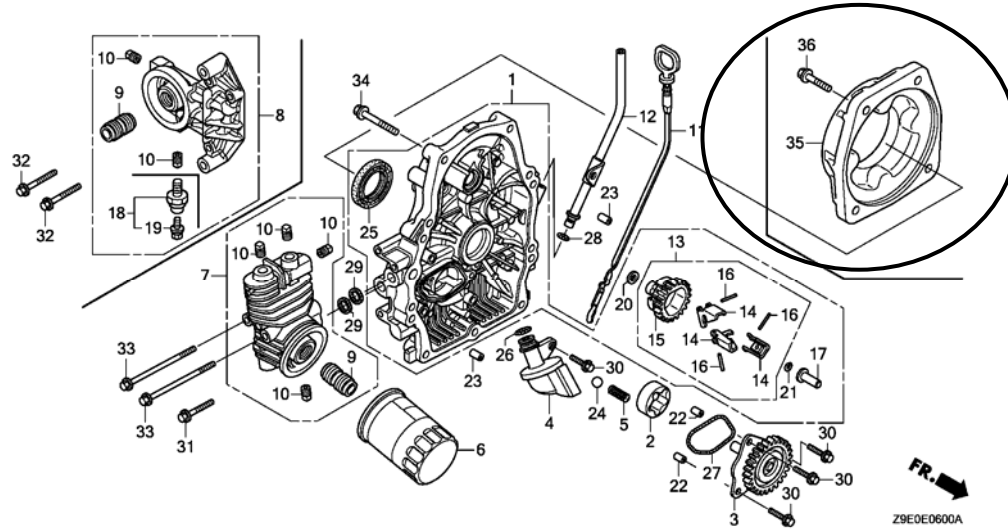
Block No.	Ref. No.	Part No.	Description	Reqd. QTY			Base Part No.	Parts catalogue code
				GX 630R	GX 660R	GX 690R		
E-2	2	12110-Z6L-010	HEAD COMP., CYLINDER.....	1	-	-	12110-Z6L-000	KAF, KWF
		12110-Z6L-010	HEAD COMP., CYLINDER.....	1	-	1	12110-Z6L-000	KXA
	3	12120-Z6L-010	HEAD COMP., CYLINDER.....	1	-	-	12120-Z6L-000	KAF, KWF
		12120-Z6L-010	HEAD COMP., CYLINDER.....	1	-	1	12120-Z6L-000	KXA
	9	16722-Z6L-010	STAY, FUEL TUBE GROMMET.....	1	-	-	16722-Z6L-000	KAF, KWF
		16722-Z6L-010	STAY, FUEL TUBE GROMMET.....	1	-	1	16722-Z6L-000	KXA
	10	17101-Z6L-010	MANIFOLD, INTAKE.....	1	-	-	17101-Z6L-000	KAF, KWF
		17101-Z6L-010	MANIFOLD, INTAKE.....	1	-	1	17101-Z6L-000	KXA
	11	17151-Z6L-010	PACKING, INTAKE MANIFOLD.....	2	-	-	17151-Z6L-000	KAF, KWF
		17151-Z6L-010	PACKING, INTAKE MANIFOLD.....	2	-	2	17151-Z6L-000	KXA
	16	90006-Z6L-000	BOLT, FLANGE, 8X55.....	4	-	-	95701-06050-00	KAF, KWF
		90006-Z6L-000	BOLT, FLANGE, 8X55.....	4	-	4	95701-06050-00	KXA
E-3	1	11100-Z6L-010	CRANKCASE ASSY.....	1	-	-	11100-Z6L-000	KAF, KWF
		11100-Z6L-801	CRANKCASE ASSY.....	1	-	1	11100-Z6L-800	KXA
	7	16541-Z6L-010	SHAFT, GOVERNOR ARM.....	1	-	-	16541-Z6L-000	KAF, KWF
		16541-Z6L-010	SHAFT, GOVERNOR ARM.....	1	-	1	16541-Z6L-000	KXA

PARTS CATALOGUE NEWS

BOOKNo. : 13Z9EA01

Block No.	Ref. No.	Part No.	Description	Reqd. QTY			Base Part No.	Parts catalogue code
				GX 630R	GX 660R	GX 690R		

E-6 CRANKCASE COVER



E-6	1	11300-Z6L-010	COVER ASSY., CRANKCASE.	1	-	-	11300-Z6L-000	KAF, KWF
		11300-Z6L-010	COVER ASSY., CRANKCASE.	-	-	1	11300-Z6L-000	KXA
	3	15140-Z6L-010	GEAR COMP., OIL PUMP.	1	-	-	15140-Z6L-000	KAF, KWF
		15140-Z6L-010	GEAR COMP., OIL PUMP.	-	-	1	15140-Z6L-000	KXA
13	16510-Z6L-010	GOVERNOR ASSY.	GOVERNOR ASSY.	1	-	-	16510-Z6L-000	KAF, KWF
		16510-Z6L-010	GOVERNOR ASSY.	-	-	1	16510-Z6L-000	KXA
14	16511-Z6L-310	WEIGHT, GOVERNOR.	WEIGHT, GOVERNOR.	3	-	-	16511-Z6L-300	KAF, KWF
		16511-Z6L-310	WEIGHT, GOVERNOR.	-	-	3	16511-Z6L-300	KXA
15	16512-Z6L-310	HOLDER, GOVERNOR WEIGHT.	HOLDER, GOVERNOR WEIGHT.	1	-	-	16512-Z6L-300	KAF, KWF
		16512-Z6L-310	HOLDER, GOVERNOR WEIGHT.	-	-	1	16512-Z6L-300	KXA
35	11312-Z6L-000	COVER, MOUNT CASE.	COVER, MOUNT CASE.	1	-	-		KAF, KWF
		11312-Z6L-000	COVER, MOUNT CASE.	1	-	1		KXA

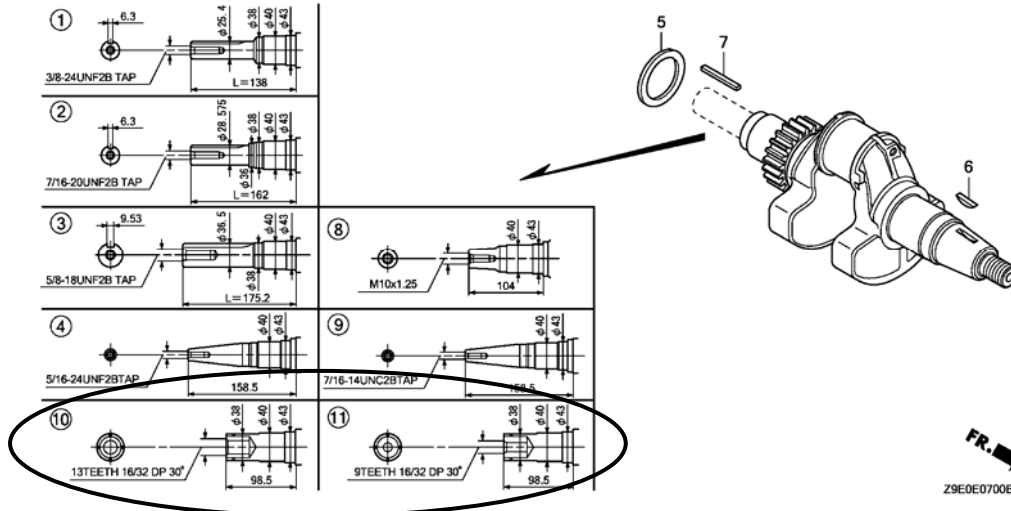
PARTS CATALOGUE NEWS

BOOKNo. : 13Z9EA01

Block No.	Ref. No.	Part No.	Description	Reqd. QTY			Base Part No.	Parts catalogue code
				GX 630R	GX 660R	GX 690R		
	36	90003-Z6L-800	BOLT, HEX. (3/8-16UNC).....	4	-	-	KAF, KWF	
		90003-Z6L-800	BOLT, HEX. (3/8-16UNC).....	4	-	4	KXA	

E-7 CRANKSHAFT

Ref. No.	(Relative ref. Number) LON Description	FRT
1	(2, 3, 4, 8, 9, 10, 11) 1101FO CRANKSHAFT	3.2



E-7	1		CRANKSHAFT COMP. (L=138).....	0	-	-	13310-Z6L-000	KAF, KWF
	2		CRANKSHAFT COMP. (L=162).....	0	-	0	13310-Z6L-600	KXA
	10	13310-Z6L-670	CRANKSHAFT COMP.....	1	-	1		KXA
	11	13310-Z6L-680	CRANKSHAFT COMP.....	1	-	-		KAF, KWF
E-8	2	13101-Z6L-010	PISTON.....	2	-	-	13101-Z6L-000	KAF, KWF
		13101-Z6L-010	PISTON.....	2	-	2	13101-Z6L-000	KXA
E-12	2		COVER COMP., FAN *R280*..... POWER RED	0	-	0	19610-Z6L-000ZA	KXA
			COVER COMP., FAN *NH1*..... BLACK	0	-	-	19610-Z6L-000ZB	KAF, KWF
E-14	5		SCREW SET.....	0	-	-	16016-Z6L-003	KAF, KWF

PARTS CATALOGUE NEWS

BOOKNo. : 13Z9EA01

Block No.	Ref. No.	Part No.	Description	Reqd. QTY			Base Part No.	Parts catalogue code
				GX 630R	GX 660R	GX 690R		
			SCREW SET.....	0	-	0	16016-Z6L-003	KXA
	7	16100-Z6L-013	CARBURETOR ASSY. (BK05A B).....	-	-	1	16100-Z6L-003	KXA
		16100-Z9E-023	CARBURETOR ASSY. (BK07A C).....	1	-	-	16100-Z9E-003	KAF, KXA
		16100-Z9E-023	CARBURETOR ASSY. (BK07A C).....	1	-	-	16100-Z9E-851	KWF
	12	16166-Z9E-003	NOZZLE, MAIN.....	2	-	-	16166-Z8N-003	KAF, KWF, KXA
	26	99101-ZH8-0980	JET, MAIN, #98.....	(1)	-	-	99101-ZH8-0900	KAF, KWF, KXA
		99101-ZH8-0980	JET, MAIN, #98.....	(1)	-	-	99101-ZH8-0950	KAF, KWF, KXA
		99101-ZH8-1020	JET, MAIN, #102.....	(1)	-	-	99101-ZH8-0900	KAF, KWF, KXA
		99101-ZH8-1020	JET, MAIN, #102.....	(1)	-	-	99101-ZH8-0950	KAF, KWF, KXA
		99101-ZH8-1100	JET, MAIN, #110.....	1	-	-		KAF, KWF, KXA
	27	99101-ZH8-1020	JET, MAIN, #102.....	(1)	-	-	99101-ZH8-0920	KAF, KWF, KXA
		99101-ZH8-1100	JET, MAIN, #110.....	1	-	-	99101-ZH8-1050	KAF, KWF, KXA
E-18	3	16850-Z6L-010	TUBE COMP. A, FUEL (FKM).....	1	-	-	16850-Z6L-000	KAF, KWF
		16850-Z6L-010	TUBE COMP. A, FUEL (FKM).....	1	-	1	16850-Z6L-000	KXA
E-19	3	31110-Z6L-801	FLYWHEEL COMP.....	1	-	-	31110-Z6L-003	KAF
E-20	3	31630-Z6L-811	COIL ASSY., CHARGE (26A).....	1	-	-	31630-Z6L-003	KAF
E-22	4	16550-Z6L-020	ARM COMP., GOVERNOR.....	1	-	-	16550-Z6L-000	KAF
		16550-Z6L-020	ARM COMP., GOVERNOR.....	1	-	1	16550-Z6L-000	KXA
	5	16553-Z6L-010	ARM, SUB.....	1	-	-	16553-Z6L-000	KAF
		16553-Z6L-010	ARM, SUB.....	1	-	1	16553-Z6L-000	KXA
	6	16555-Z6L-010	ROD, GOVERNOR.....	1	-	-	16555-Z6L-000	KAF, KWF
		16555-Z6L-010	ROD, GOVERNOR.....	1	-	1	16555-Z6L-000	KXA
	8	16562-Z6L-010	SPRING, THROTTLE RETURN.....	1	-	-	16562-Z6L-000	KAF, KWF
		16562-Z6L-010	SPRING, THROTTLE RETURN.....	1	-	1	16562-Z6L-000	KXA

PARTS CATALOGUE NEWS

BOOKNo. : 13Z9EA01

Block No.	Ref. No.	Part No.	Description	Reqd. QTY			Base Part No.	Parts catalogue code
				GX 630R	GX 660R	GX 690R		
	12	16611-Z6L-010	ROD, CHOKE CONTROL.....	1	-	-	16611-Z6L-000	KAF, KWF
		16611-Z6L-010	ROD, CHOKE CONTROL.....	1	-	1	16611-Z6L-000	KXA
	23	16550-Z6L-801	ARM COMP., GOVERNOR.....	1	-	-	16550-Z6L-800	KWF
	26	16500-Z6L-812	CONTROL ASSY.....	1	-	-	16500-Z6L-810	KAF
	27	16500-Z6L-822	CONTROL ASSY.....	1	-	-	16500-Z6L-820	KWF
	28	16500-Z6L-832	CONTROL ASSY.....	1	-	1	16500-Z6L-831	KXA
E-23	27		KEY ASSY., COMBINATION SWITCH (W05)	0	-	0	35110-ZV5-V50	KXA
E-40	2		HOLDER, CABLE.....	0	-	-	16617-Z6L-000	KAF
	8	18333-ZE3-801	GASKET, EX. PIPE.....	2	-	-	18333-ZE3-800	KAF, KWF
		18333-ZE3-801	GASKET, EX. PIPE.....	2	-	2	18333-ZE3-800	KXA
	9		RECTIFIER ASSY., REGULATOR (20A)	0	-	-	31750-Z2E-803	KAF
	10		HARNESS ASSY., SUB WIRE.....	0	-	-	32105-Z6L-000	KAF
	21	31750-Z6L-004	RECTIFIER ASSY., REGULATOR (30A)	1	-	-		KAF
	22	32105-Z6L-800	HARNESS ASSY., SUB WIRE.....	1	-	-		KAF
EOP-1	2	06185-Z6L-010	ARRESTER KIT (HIGH).....	(1)	-	-	06185-Z6L-000	KAF, KWF
		06185-Z6L-010	ARRESTER KIT (HIGH).....	(1)	-	(1)	06185-Z6L-000	KXA
	5	18355-ZJ1-010	ARRESTER, SPARK.....	(1)	-	-	18355-ZJ1-000	KAF, KWF
		18355-ZJ1-010	ARRESTER, SPARK.....	(1)	-	(1)	18355-ZJ1-000	KXA
	6	90007-Z6L-000	SCREW, TAPPING, 5X8.....	(1)	-	-	93901-250J0	KAF, KWF
		90007-Z6L-000	SCREW, TAPPING, 5X8.....	(1)	-	(1)	93901-250J0	KXA
EOP-1-1	2	06185-Z6L-010	ARRESTER KIT (HIGH).....	(1)	-	-	06185-Z6L-000	KAF, KWF
		06185-Z6L-010	ARRESTER KIT (HIGH).....	(1)	-	(1)	06185-Z6L-000	KXA
	5	18355-ZJ1-010	ARRESTER, SPARK.....	(1)	-	-	18355-ZJ1-000	KAF, KWF

PARTS CATALOGUE NEWS

BOOKNo. : 13Z9EA01

Block No.	Ref. No.	Part No.	Description	Reqd. QTY			Base Part No.	Parts catalogue code
				GX 630R	GX 660R	GX 690R		
		18355-ZJ1-010	ARRESTER, SPARK.....	(1)	-	(1)	18355-ZJ1-000	KXA
	6	90007-Z6L-000	SCREW, TAPPING, 5X8.....	(1)	-	-	93901-250J0	KAF, KWF
		90007-Z6L-000	SCREW, TAPPING, 5X8.....	(1)	-	(1)	93901-250J0	KXA



PARTS CATALOGUE NEWS

Honda Motor Co., Ltd.
Customer Service Technology Development Division

PARTS CATALOGUE - CORRECTED

Printed in Japan

CODE NO.	13Z9EA01
PARTS CATALOGUE NEWS	GX630R GX660R GX690R
NEWS NO.	016

Block No.	Ref. No.	Note	Part No.	Description	Reqd. QTY			Serial No.	Parts catalogue code	
					GX 630R	GX 660R	GX 690R			
E-3	1	D	11100-Z6L-840	CRANKCASE ASSY.....	1	-	-	1040069	QXA, QXC2, QXF, QXF4, QXF5, QXF6, QZA, QZA5, QZB, QZB2, QZB3, QZE, QZE3, QZE4, QZF8, TXA2, VD, VDB2, VEP4, VXA1, VXD, VXD2, VXD4, VXD8, VXE1, VXE2, VXE8, VXF, VXF4, VXP2, VZA, VZA2	
			L	11100-Z6L-800	1	-	-	1040068	QXA, QXC2, QXF, QXF4, QXF5, QXF6, QZA, QZA5, QZB, QZB2, QZB3, QZE, QZE3, QZE4, QZF8, TXA2, VD, VDB2, VEP4, VXA1, VXD, VXD2, VXD4, VXD8, VXE1, VXE2, VXE8, VXF, VXF4, VXP2, VZA, VZA2
						1	-	-		TXF2
						-	1	1		BXF, BXF5, TXA2, TXF, TXF2, TXF4, TXF5, TXF7, TXF9, VXE1, VXE2, VXE4
E-12	19	L	95701-06020-00	BOLT, FLANGE, 6X20.....	2	2	2		BAF, BDW, BXF, BXF5, KAF, KWF, KXA, QAB, QAF, QAF1, QAF2, QAF3, QDF, QDF2, QDP2, QDW, QDX2, QWF2, QXA, QXB1, QXC2, QXF, QXF4, QXF5, QXF6, QYD, QYF, QZA, QZA5, QZB, QZB2, QZB3, QZE, QZE3, QZE4, QZF8, TAF, TDW, TXA2, TXF, TXF2, TXF4, TXF5, TXF7, TXF9, VAF6, VD, VDB2, VDC2, VEP4, VXA1, VXD, VXD2, VXD4, VXE1, VXE2, VXE4, VXE8, VXF, VXF4, VXP2, VZA, VZA2	
					2	-	-	1029812	VXD8	

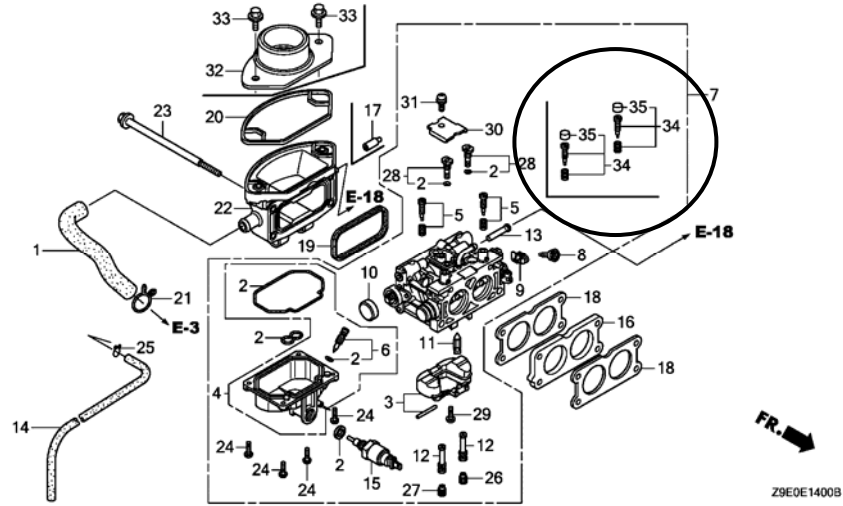
NOTE A:PART NO. CHANGE D:NEWLY PROVIDED E:PART NO.DELETION K:REQUIRED NO. CORRECTION L:APPLICATION SERIAL NO. CORRECTION
T:APPLICATION CORRECTION Z:REMARKS CHANGE

PARTS CATALOGUE NEWS

BOOKNo. : 13Z9EA01

Block No.	Ref. No.	Note	Part No.	Description	Reqd. QTY			Serial No.	Parts catalogue code
					GX 630R	GX 660R	GX 690R		

E-14 CARBURETOR



E-14	5	L	16016-Z6L-003	SCREW SET (CARBURETOR NO.)	2	-	-	-----	BK07A A	QAB, QAF, QAF1, QAF3, QDF, QDF2, QDP2, QDW, QDX2, QXA, QXB1, QXC2, QXF, QXF4, QXF5, QXF6, QYD, QYF, QZA, QZA5, QZB, QZB2, QZB3, QZE, QZE3, QZE4, QZF8, TXA2, VAB5, VAF6, VEP4, VXA1, VXD8, VXE1, VXE8, VXF, VXF4, VXP2, VZA
				(CARBURETOR NO.)	2	-	-	-----	BK07C A	QAF2, TXF2
				(CARBURETOR NO.)	2	-	-	-----	BK07G A	QWF2, VXD2, VXD4
				(CARBURETOR NO.)	2	-	-	-----	BK07L A	VD, VDB2, VDC2, VXD, VXE2, VZA2
				(CARBURETOR NO.)	-	-	2	-----	BK05A A	BAF, BDW, BXF, BXF5, TAF, TDW, TXA2, TXF, TXF4, TXF5, TXF7, TXF9, VXE1
				(CARBURETOR NO.)	-	2	-	-----	BK06A A	BAF, BDW, BXF, BXF5, TAF, TDW, TXA2, TXF, TXF4, TXF5, TXF7, TXF9, VXE1
				(CARBURETOR NO.)	-	-	2	-----	BK05C A	TXF2
				(CARBURETOR NO.)	-	-	2	-----	BK05D A	VXE2, VXE4
				(CARBURETOR NO.)	-	2	-	-----	BK06E A	VXE2, VXE4

NOTE A:PART NO. CHANGE D:NEWLY PROVIDED E:PART NO.DELETION K:REQUIRED NO. CORRECTION L:APPLICATION SERIAL NO. CORRECTION
T:APPLICATION CORRECTION Z:REMARKS CHANGE

PARTS CATALOGUE NEWS

BOOKNo. : 13Z9EA01

Block No.	Ref. No.	Note	Part No.	Description	Reqd. QTY			Serial No.	Parts catalogue code
					GX 630R	GX 660R	GX 690R		
	7	L	16100-Z6L-003	CARBURETOR ASSY. (BK05A A).....	-	-	1	----- 1010728	BAF, BDW, BXF, BXF5, TAF, TDW, TXA2, TXF, TXF4, TXF5, TXF7, TXF9 VXE1
		T	16100-Z6L-013	CARBURETOR ASSY. (BK05A B).....	-	-	1	1010729 -----	BAF, BDW, BXF, BXF5, TAF, TDW, TXA2, TXF, TXF4, TXF5, TXF7, TXF9 VXE1
					-	-	1	-----	KXA
			16100-Z6L-801	CARBURETOR ASSY. (BK05C A).....	-	-	1	----- 1011083	TXF2
	A		16100-Z6L-802	CARBURETOR ASSY. (BK05C B).....	-	-	1	1011084 -----	TXF2
			16100-Z6L-851	CARBURETOR ASSY. (BK05D A).....	-	-	1	----- 1010924	VXE2, VXE4
	A		16100-Z6L-852	CARBURETOR ASSY. (BK05D B).....	-	-	1	1010925 -----	VXE2, VXE4
			16100-Z8N-003	CARBURETOR ASSY. (BK06A A).....	-	1	-	----- 1004778	BAF, BDW, BXF, BXF5, TAF, TDW, TXA2, TXF, TXF4, TXF5, TXF7, TXF9 VXE1
	A		16100-Z8N-013	CARBURETOR ASSY. (BK06A B).....	-	1	-	1004779 -----	BAF, BDW, BXF, BXF5, TAF, TDW, TXA2, TXF, TXF4, TXF5, TXF7, TXF9 VXE1
			16100-Z8N-851	CARBURETOR ASSY. (BK06E A).....	-	1	-	----- 1004704	VXE2, VXE4
	A		16100-Z8N-852	CARBURETOR ASSY. (BK06E B).....	-	1	-	1004705 -----	VXE2, VXE4
			16100-Z9E-003	CARBURETOR ASSY. (BK07A A).....	1	-	-	----- 1031792	QAB, QAF, QAF1, QAF3, QDF, QDF2, QDP2, QDW, QDX2, QXA, QXB1 QXC2, QXF, QXF4, QXF5, QXF6, QYD, QYF, QZA, QZA5, QZB, QZB2 QZB3, QZE, QZE3, QZE4, QZF8, TXA2, VAB5, VAF6, VEP4, VXA1, VXD8 VXE1, VXE8, VXF, VXF4, VXP2, VZA
	A		16100-Z9E-013	CARBURETOR ASSY. (BK07A B).....	1	-	-	1031793 1041143	QAB, QAF, QAF1, QAF3, QDF, QDF2, QDP2, QDW, QDX2, QXA, QXB1 QXC2, QXF, QXF4, QXF5, QXF6, QYD, QYF, QZA, QZA5, QZB, QZB2 QZB3, QZE, QZE3, QZE4, QZF8, TXA2, VAB5, VAF6, VEP4, VXA1, VXD8 VXE1, VXE8, VXF, VXF4, VXP2, VZA
		T	16100-Z9E-023	CARBURETOR ASSY. (BK07A C).....	1	-	-	-----	KAF, KWF, KXA
					1	-	-	1041144 -----	QAB, QAF, QAF1, QAF3, QDF, QDF2, QDP2, QDW, QDX2, QXA, QXB1 QXC2, QXF, QXF4, QXF5, QXF6, QYD, QYF, QZA, QZA5, QZB, QZB2 QZB3, QZE, QZE3, QZE4, QZF8, TXA2, VAB5, VAF6, VEP4, VXA1, VXD8 VXE1, VXE8, VXF, VXF4, VXP2, VZA
			16100-Z9E-801	CARBURETOR ASSY. (BK07C A).....	1	-	-	----- 1034330	QAF2, TXF2
	A		16100-Z9E-802	CARBURETOR ASSY. (BK07C B).....	1	-	-	1034331 -----	QAF2, TXF2
			16100-Z9E-851	CARBURETOR ASSY. (BK07G A).....	1	-	-	----- 1032940	QWF2, VXD2, VXD4

NOTE A:PART NO. CHANGE D:NEWLY PROVIDED E:PART NO.DELETION K:REQUIRED NO. CORRECTION L:APPLICATION SERIAL NO. CORRECTION
T:APPLICATION CORRECTION Z:REMARKS CHANGE

PARTS CATALOGUE NEWS

BOOKNo. : 13Z9EA01

Block No.	Ref. No.	Note	Part No.	Description	Reqd. QTY			Serial No.		Parts catalogue code
					GX 630R	GX 660R	GX 690R			
		A	16100-Z9E-852	CARBURETOR ASSY. (BK07G B).....	1	-	-	1032941	1043702	QWF2, VXD2, VXD4
		A	16100-Z9E-853	CARBURETOR ASSY. (BK07G C).....	1	-	-	1043703	-----	QWF2, VXD2, VXD4
			16100-Z9E-862	CARBURETOR ASSY. (BK07L A).....	1	-	-	-----	1032868	VD, VDB2, VDC2, VXD, VXE2, VZA2
		A	16100-Z9E-862	CARBURETOR ASSY. (BK07L B).....	1	-	-	1032869	1042285	VD, VDB2, VDC2, VXD, VXE2, VZA2
		A	16100-Z9E-863	CARBURETOR ASSY. (BK07L C).....	1	-	-	1042286	-----	VD, VDB2, VDC2, VXD, VXE2, VZA2
	12	T	16166-Z8N-003	NOZZLE, MAIN (CARBURETOR NO.)	2	-	-	-----	BK07A B	QAB, QAF, QAF1, QAF3, QDF, QDF2, QDP2, QDW, QDX2, QXA, QXB1 QXC2, QXF, QXF4, QXF5, QXF6, QYD, QYF, QZA, QZA5, QZB, QZB2 QZB3, QZE, QZE3, QZE4, QZF8, TXA2, VAB5, VAF6, VEP4, VXA1, VXD8 VXE1, VXE8, VXF, VXF4, VXP2, VZA
				(CARBURETOR NO.)	2	-	-	-----	BK07G B	QWF2, VXD2, VXD4
				(CARBURETOR NO.)	2	-	-	-----	BK07L B	VD, VDB2, VDC2, VXD, VXE2, VZA2
					-	2	-			
					-	-	2	-----	-----	TXF2
		T	16166-Z9E-003	2	-	-	-----	-----	KAF, KWF, KXA
				(CARBURETOR NO.)	2	-	-	BK07A C	-----	QAB, QAF, QAF1, QAF3, QDF, QDF2, QDP2, QDW, QDX2, QXA, QXB1 QXC2, QXF, QXF4, QXF5, QXF6, QYD, QYF, QZA, QZA5, QZB, QZB2 QZB3, QZE, QZE3, QZE4, QZF8, TXA2, VAB5, VAF6, VEP4, VXA1, VXD8 VXE1, VXE8, VXF, VXF4, VXP2, VZA
				(CARBURETOR NO.)	2	-	-	BK07G C	-----	QWF2, VXD2, VXD4
				(CARBURETOR NO.)	2	-	-	BK07L C	-----	VD, VDB2, VDC2, VXD, VXE2, VZA2
	26	L	99101-ZH8-0900	JET, MAIN, #90 (CARBURETOR NO.)	(1)	-	-	-----	BK07A B	QAB, QAF, QAF1, QAF3, QDF, QDF2, QDP2, QDW, QDX2, QXA, QXB1 QXC2, QXF, QXF4, QXF5, QXF6, QYD, QYF, QZA, QZA5, QZB, QZB2 QZB3, QZE, QZE3, QZE4, QZF8, TXA2, VAB5, VAF6, VEP4, VXA1, VXD8 VXE1, VXE8, VXF, VXF4, VXP2, VZA
				(CARBURETOR NO.)	(1)	-	-	-----	BK07G B	QWF2, VXD2, VXD4
				(CARBURETOR NO.)	(1)	-	-	-----	BK07L B	VD, VDB2, VDC2, VXD, VXE2, VZA2
					(1)	-	-	-----	-----	QAF2, TXF2

NOTE A:PART NO. CHANGE D:NEWLY PROVIDED E:PART NO.DELETION K:REQUIRED NO. CORRECTION L:APPLICATION SERIAL NO. CORRECTION
T:APPLICATION CORRECTION Z:REMARKS CHANGE

PARTS CATALOGUE NEWS

BOOKNo. : 13Z9EA01

Block No.	Ref. No.	Note	Part No.	Description	Reqd. QTY			Serial No.	Parts catalogue code
					GX 630R	GX 660R	GX 690R		
		L	99101-ZH8-0950	JET, MAIN, #95 (CARBURETOR NO.)	(1)	-	-	----- BK07A B	QAB, QAF, QAF1, QAF3, QDF, QDF2, QDP2, QDW, QDX2, QXA, QXB1, QXC2, QXF, QXF4, QXF5, QXF6, QYD, QYF, QZA, QZA5, QZB, QZB2, QZB3, QZE, QZE3, QZE4, QZF8, TXA2, VAB5, VAF6, VEP4, VXA1, VXD8, VXE1, VXE8, VXF, VXF4, VXP2, VZA
				(CARBURETOR NO.)	(1)	-	-	----- BK07G B	QWF2, VXD2, VXD4
				(CARBURETOR NO.)	(1)	-	-	----- BK07L B	VD, VDB2, VDC2, VXD, VXE2, VZA2
					(1)	-	-	-----	QAF2, TXF2
		T	99101-ZH8-0980	JET, MAIN, #98 (CARBURETOR NO.)	(1)	-	-	BK07A C -----	QAB, QAF, QAF1, QAF3, QDF, QDF2, QDP2, QDW, QDX2, QWF2, QXA, QXB1, QXC2, QXF, QXF4, QXF5, QXF6, QYD, QYF, QZA, QZA5, QZB, QZB2, QZB3, QZE, QZE3, QZE4, QZF8, TXA2, VAB5, VAF6, VD, VDB2, VDC2, VEP4, VXA1, VXD, VXD2, VXD4, VXD8, VXE1, VXE2, VXE8, VXF, VXF4, VXP2, VZA, VZA2
				(CARBURETOR NO.)	(1)	-	-	BK07G C -----	QWF2, VXD2, VXD4
				(CARBURETOR NO.)	(1)	-	-	BK07L C -----	VD, VDB2, VDC2, VXD, VXE2, VZA2
					(1)	-	-	-----	KAF, KWF, KXA
		T	99101-ZH8-1020	JET, MAIN, #102 (CARBURETOR NO.)	(1)	-	-	BK07A C -----	QAB, QAF, QAF1, QAF3, QDF, QDF2, QDP2, QDW, QDX2, QWF2, QXA, QXB1, QXC2, QXF, QXF4, QXF5, QXF6, QYD, QYF, QZA, QZA5, QZB, QZB2, QZB3, QZE, QZE3, QZE4, QZF8, TXA2, VAB5, VAF6, VD, VDB2, VDC2, VEP4, VXA1, VXD, VXD2, VXD4, VXD8, VXE1, VXE2, VXE8, VXF, VXF4, VXP2, VZA, VZA2
				(CARBURETOR NO.)	(1)	-	-	BK07G C -----	QWF2, VXD2, VXD4
				(CARBURETOR NO.)	(1)	-	-	BK07L C -----	VD, VDB2, VDC2, VXD, VXE2, VZA2
					(1)	-	-	-----	KAF, KWF, KXA
				(CARBURETOR NO.)	1	-	-	----- BK07A B	QAB, QAF, QAF1, QAF3, QDF, QDF2, QDP2, QDW, QDX2, QXA, QXB1, QXC2, QXF, QXF4, QXF5, QXF6, QYD, QYF, QZA, QZA5, QZB, QZB2, QZB3, QZE, QZE3, QZE4, QZF8, TXA2, VAB5, VAF6, VEP4, VXA1, VXD8, VXE1, VXE8, VXF, VXF4, VXP2, VZA
				(CARBURETOR NO.)	1	-	-	----- BK07G B	QWF2, VXD2, VXD4
				(CARBURETOR NO.)	1	-	-	----- BK07L B	VD, VDB2, VDC2, VXD, VXE2, VZA2
					1	-	-	-----	QAF2, TXF2

NOTE A:PART NO. CHANGE D:NEWLY PROVIDED E:PART NO.DELETION K:REQUIRED NO. CORRECTION L:APPLICATION SERIAL NO. CORRECTION
T:APPLICATION CORRECTION Z:REMARKS CHANGE

PARTS CATALOGUE NEWS

BOOKNo. : 13Z9EA01

Block No.	Ref. No.	Note	Part No.	Description	Reqd. QTY			Serial No.	Parts catalogue code
					GX 630R	GX 660R	GX 690R		
		T	99101-ZH8-1100	JET, MAIN, #110 (CARBURETOR NO.)	1	-	-	BK07A C -----	QAB, QAF, QAF1, QAF3, QDF, QDF2, QDP2, QDW, QDX2, QXA, QXB1 QXC2, QXF, QXF4, QXF5, QXF6, QYD, QYF, QZA, QZA5, QZB, QZB2 QZB3, QZE, QZE3, QZE4, QZF8, TXA2, VAB5, VAF6, VEP4, VXA1, VXD8 VXE1, VXE8, VXF, VXF4, VXP2, VZA
				(CARBURETOR NO.)	1	-	-	BK07G C -----	QWF2, VXD2, VXD4
				(CARBURETOR NO.)	1	-	-	BK07L C -----	VD, VDB2, VDC2, VXD, VXE2, VZA2
	27	L	99101-ZH8-0920	JET, MAIN, #92 (CARBURETOR NO.)	(1)	-	-	----- BK07A B	QAB, QAF, QAF1, QAF3, QDF, QDF2, QDP2, QDW, QDX2, QXA, QXB1 QXC2, QXF, QXF4, QXF5, QXF6, QYD, QYF, QZA, QZA5, QZB, QZB2 QZB3, QZE, QZE3, QZE4, QZF8, TXA2, VAB5, VAF6, VEP4, VXA1, VXD8 VXE1, VXE8, VXF, VXF4, VXP2, VZA
				(CARBURETOR NO.)	(1)	-	-	----- BK07G B	QWF2, VXD2, VXD4
				(CARBURETOR NO.)	(1)	-	-	----- BK07L B	VD, VDB2, VDC2, VXD, VXE2, VZA2
		T	99101-ZH8-1020	JET, MAIN, #102 (CARBURETOR NO.)	(1)	-	-	BK07A C -----	QAB, QAF, QAF1, QAF3, QDF, QDF2, QDP2, QDW, QDX2, QWF2, QXA QXB1, QXC2, QXF, QXF4, QXF5, QXF6, QYD, QYF, QZA, QZA5, QZB QZB2, QZB3, QZE, QZE3, QZE4, QZF8, TXA2, VAB5, VAF6, VD, VDB2 VDC2, VEP4, VXA1, VXD, VXD2, VXD4, VXD8, VXE1, VXE2, VXE8, VXF VXF4, VXP2, VZA, VZA2
				(CARBURETOR NO.)	(1)	-	-	BK07G C -----	QWF2, VXD2, VXD4
				(CARBURETOR NO.)	(1)	-	-	BK07L C -----	VD, VDB2, VDC2, VXD, VXE2, VZA2
					(1)	-	-	-----	KAF, KWF, KXA
					1	-	-	-----	QAF2, TXF2
		L	99101-ZH8-1050	JET, MAIN, #105 (CARBURETOR NO.)	1	-	-	----- BK07A B	QAB, QAF, QAF1, QAF3, QDF, QDF2, QDP2, QDW, QDX2, QXA, QXB1 QXC2, QXF, QXF4, QXF5, QXF6, QYD, QYF, QZA, QZA5, QZB, QZB2 QZB3, QZE, QZE3, QZE4, QZF8, TXA2, VAB5, VAF6, VEP4, VXA1, VXD8 VXE1, VXE8, VXF, VXF4, VXP2, VZA
				(CARBURETOR NO.)	1	-	-	----- BK07G B	QWF2, VXD2, VXD4
				(CARBURETOR NO.)	1	-	-	----- BK07L B	VD, VDB2, VDC2, VXD, VXE2, VZA2

NOTE A:PART NO. CHANGE D:NEWLY PROVIDED E:PART NO.DELETION K:REQUIRED NO. CORRECTION L:APPLICATION SERIAL NO. CORRECTION
T:APPLICATION CORRECTION Z:REMARKS CHANGE

PARTS CATALOGUE NEWS

BOOKNo. : 13Z9EA01

Block No.	Ref. No.	Note	Part No.	Description	Reqd. QTY			Serial No.	Parts catalogue code
					GX 630R	GX 660R	GX 690R		
		T	99101-ZH8-1100	JET, MAIN, #110 (CARBURETOR NO.)	1	-	-	BK07A C -----	QAB, QAF, QAF1, QAF3, QDF, QDF2, QDP2, QDW, QDX2, QXA, QXB1 QXC2, QXF, QXF4, QXF5, QXF6, QYD, QYF, QZA, QZA5, QZB, QZB2 QZB3, QZE, QZE3, QZE4, QZF8, TXA2, VAB5, VAF6, VEP4, VXA1, VXD8 VXE1, VXE8, VXF, VXF4, VXP2, VZA
				(CARBURETOR NO.)	1	-	-	BK07G C -----	QWF2, VXD2, VXD4
				(CARBURETOR NO.)	1	-	-	BK07L C -----	VD, VDB2, VDC2, VXD, VXE2, VZA2
	34	T	16016-Z6L-801	SCREW SET..... (CARBURETOR NO.)	-	-	2	BK05A B -----	BAF, BDW, BXF, BXF5, TAF, TDW, TXA2, TXF, TXF4, TXF5, TXF7, TXF9 VXE1
				(CARBURETOR NO.)	-	2	-	BK06A B -----	BAF, BDW, BXF, BXF5, TAF, TDW, TXA2, TXF, TXF4, TXF5, TXF7, TXF9 VXE1
					2	-	-	-----	KAF, KWF, KXA, QAF2, TXF2
					2	-	-	BK07L B -----	VD, VDB2, VDC2, VXD, VXE2, VZA2
					2	-	-	BK07G B -----	QWF2, VXD2, VXD4
				(CARBURETOR NO.)	2	-	-	BK07A B -----	QAB, QAF, QAF1, QAF3, QDF, QDF2, QDP2, QDW, QDX2, QXA, QXB1 QXC2, QXF, QXF4, QXF5, QXF6, QYD, QYF, QZA, QZA5, QZB, QZB2 QZB3, QZE, QZE3, QZE4, QZF8, TXA2, VAB5, VAF6, VEP4, VXA1, VXD8 VXE1, VXE8, VXF, VXF4, VXP2, VZA
				(CARBURETOR NO.)	-	-	2	BK05C B -----	TXF2
				(CARBURETOR NO.)	-	-	2	BK05D B -----	VXE2, VXE4
				(CARBURETOR NO.)	-	2	-	BK06E B -----	VXE2, VXE4
	35	T	16134-Z6L-801	CAP. ADJUSTING SCREW..... (CARBURETOR NO.)	-	-	2	BK05A B -----	BAF, BDW, BXF, BXF5, TAF, TDW, TXA2, TXF, TXF4, TXF5, TXF7, TXF9 VXE1
				(CARBURETOR NO.)	-	2	-	BK06A B -----	BAF, BDW, BXF, BXF5, TAF, TDW, TXA2, TXF, TXF4, TXF5, TXF7, TXF9 VXE1
					2	-	-	-----	KAF, KWF, KXA, QAF2, TXF2
				(CARBURETOR NO.)	2	-	-	BK07L B -----	VD, VDB2, VDC2, VXD, VXE2, VZA2
				(CARBURETOR NO.)	2	-	-	BK07G B -----	QWF2, VXD2, VXD4

NOTE A:PART NO. CHANGE D:NEWLY PROVIDED E:PART NO.DELETION K:REQUIRED NO. CORRECTION L:APPLICATION SERIAL NO. CORRECTION
T:APPLICATION CORRECTION Z:REMARKS CHANGE

PARTS CATALOGUE NEWS

BOOKNo. : 13Z9EA01

Block No.	Ref. No.	Note	Part No.	Description	Reqd. QTY			Serial No.	Parts catalogue code
					GX 630R	GX 660R	GX 690R		
				(CARBURETOR NO.)	2	-	-	BK07A B -----	QAB, QAF, QAF1, QAF3, QDF, QDF2, QDP2, QDW, QDX2, QXA, QXB1, QXC2, QXF, QXF4, QXF5, QXF6, QYD, QYF, QZA, QZA5, QZB, QZB2, QZB3, QZE, QZE3, QZE4, QZF8, TXA2, VAB5, VAF6, VEP4, VXA1, VXD8, VXE1, VXE8, VXF, VXF4, VXP2, VZA
				(CARBURETOR NO.)	-	-	2	BK05C B -----	TXF2
				(CARBURETOR NO.)	-	-	2	BK05D B -----	VXE2, VXE4
				(CARBURETOR NO.)	-	2	-	BK06E B -----	VXE2, VXE4
E-20	12	T	90672-SB2-003	STRAP, CABLE, 105MM (BLACK)	1	1	1	-----	BDW, KAF, KWF, QAB, QAF, QAF2, QAF3, QDF2, QDP2, QDW, QDX2, QWF2, QXB1, QYD, QYF, TDW, TXF9, VAB5, VAF6, VD, VDB2, VDC2, VXD, VXE8, VXF4, VXP2
					1	-	-	1004974 -----	QXF4
					1	-	-	1029813 -----	VXD8
	14	T	95701-06008-00	BOLT, FLANGE, 6X8.	1	1	1	-----	QXA, QXC2, QZA, QZE, QZE3, QZE4, VEP4, VXA1, VXD2, VXD4, VXD8, VXE1, VXE2, VXE4, VZA, VZA2
					1	-	-	-----	1001284 VD, VDB2, VXD, VXE8, VXP2
					1	-	-	-----	1029812 VXD8
	16	T	95701-06014-00	BOLT, FLANGE, 6X14.	1	1	1	-----	QXA, QXC2, QZA, QZE, QZE3, QZE4, VEP4, VXA1, VXD2, VXD4, VXD8, VXE1, VXE2, VXE4, VZA, VZA2
					1	-	-	-----	1001284 VD, VDB2, VXD, VXE8, VXP2
					1	-	-	-----	1029812 VXD8
	17	T	95701-06030-00	BOLT, FLANGE, 6X30.	1	1	1	-----	QXA, QXC2, QZA, QZE, QZE3, QZE4, VEP4, VXA1, VXD2, VXD4, VXD8, VXE1, VXE2, VXE4, VZA, VZA2
					1	-	-	-----	1001284 VD, VDB2, VXD, VXE8, VXP2
					1	-	-	-----	1029812 VXD8
E-23	3	L	17950-Z6L-000	CABLE COMP., CHOKE.	1	1	-	-----	BAF, BXF, BXF5, KXA, QAF1, QDF, QXC2, QXF, QXF5, QXF6, QZA5, QZB, QZB2, QZB3, QZE, QZE4, QZF8, TAF, TXA2, TXF, TXF4, TXF5, TXF7, VEP4, VXA1, VXD2, VXD4, VXD8, VXE1, VXE2, VXE4, VXF, VZA, VZA2
					-	-	1	-----	BAF, BXF, BXF5, KXA, TAF, TXA2, TXF, TXF2, TXF4, TXF5, TXF7, VXE1, VXE2, VXE4
					1	-	-	-----	1004973 QXF4

NOTE A:PART NO. CHANGE D:NEWLY PROVIDED E:PART NO. DELETION K:REQUIRED NO. CORRECTION L:APPLICATION SERIAL NO. CORRECTION
T:APPLICATION CORRECTION Z:REMARKS CHANGE

PARTS CATALOGUE NEWS

BOOKNo. : 13Z9EA01

Block No.	Ref. No.	Note	Part No.	Description	Reqd. QTY			Serial No.	Parts catalogue code
					GX 630R	GX 660R	GX 690R		
					1	-	-	----- 1029812	VXD8
	4	L	17951-ZV1-000	KNOB, CHOKE.....	1	1	-	-----	BAF, BXF, BXF5, KXA, QAF1, QDF, QXC2, QXF, QXF5, QXF6, QZA5, QZB QZB2, QZB3, QZE, QZE4, QZF8, TAF, TXA2, TXF, TXF4, TXF5, TXF7 VEP4, VXA1, VXD2, VXD4, VXE1, VXE2, VXE4, VXF, VZA, VZA2
					-	-	1	-----	BAF, BXF, BXF5, KXA, TAF, TXA2, TXF, TXF2, TXF4, TXF5, TXF7 VXE1, VXE2, VXE4
					1	-	-	----- 1004973	QXF4
					1	-	-	----- 1029812	VXD8
	5	L	31612-Z6L-000	COVER, CONTROL.....	1	1	1	-----	BAF, BXF, BXF5, KXA, QAF1, QDF, QXA, QXC2, QXF, QXF5, QXF6, QZA QZA5, QZB, QZB2, QZB3, QZE, QZE3, QZE4, QZF8, TAF, TXA2, TXF TXF2, TXF4, TXF5, TXF7, VEP4, VXA1, VXD2, VXD4, VXE1, VXE2 VXE4, VXF, VZA, VZA2
					1	-	-	----- 1004973	QXF4
					1	-	-	----- 1029812	VXD8
	6	L	31614-Z6L-000	BRACKET, SWITCH BOX.....	1	1	1	-----	BAF, BXF, BXF5, KXA, QAF1, QDF, QXA, QXC2, QXF, QXF5, QXF6, QZA QZA5, QZB, QZB2, QZB3, QZE, QZE3, QZE4, QZF8, TAF, TXA2, TXF TXF2, TXF4, TXF5, TXF7, VEP4, VXA1, VXD2, VXD4, VXE1, VXE2 VXE4, VXF, VZA, VZA2
					1	-	-	----- 1004973	QXF4
					1	-	-	----- 1029812	VXD8
	7	L	32346-Z6L-800	PANEL, CONTROL.....	1	1	-	-----	BXF5, QXA, QXF, QXF5, QZA, QZE3, TXF2, TXF5, VXD2, VXD4, VXE1 VXE2, VXE4, VZA2
					-	-	1	-----	BXF5, TXF5, VXE1, VXE2, VXE4
					1	-	-	----- 1029812	VXD8
	8	L	32347-Z6L-000	BRACKET, CONTROL BOX.....	1	1	1	-----	BAF, BXF, BXF5, KXA, QAF1, QDF, QXA, QXC2, QXF, QXF5, QXF6, QZA QZA5, QZB, QZB2, QZB3, QZE, QZE3, QZE4, QZF8, TAF, TXA2, TXF TXF2, TXF4, TXF5, TXF7, VEP4, VXA1, VXD2, VXD4, VXE1, VXE2 VXE4, VXF, VZA, VZA2
					1	-	-	----- 1004973	QXF4
					1	-	-	----- 1029812	VXD8

NOTE A:PART NO. CHANGE D:NEWLY PROVIDED E:PART NO.DELETION K:REQUIRED NO. CORRECTION L:APPLICATION SERIAL NO. CORRECTION
T:APPLICATION CORRECTION Z:REMARKS CHANGE

PARTS CATALOGUE NEWS

BOOKNo. : 13Z9EA01

Block No.	Ref. No.	Note	Part No.	Description	Reqd. QTY			Serial No.	Parts catalogue code
					GX 630R	GX 660R	GX 690R		
	9	L	35100-Z6L-003	SWITCH ASSY., COMBINATION.....	1	1	1	-----	BAF, BXF, BXF5, KXA, QAF1, QDF, QXA, QXC2, QXF, QXF5, QXF6, QZA QZA5, QZB, QZB2, QZB3, QZE, QZE3, QZE4, QZF8, TAF, TXA2, TXF TXF2, TXF4, TXF5, TXF7, VEP4, VXA1, VXD2, VXD4, VXE1, VXE2 VXE4, VXF, VZA, VZA2
					1	-	-	-----	1004973 QXF4
					1	-	-	-----	1029812 VXD8
	10	L	38216-Z2E-003	COVER ASSY., FUSE.....	1	1	1	-----	BAF, BXF, BXF5, KXA, QAF1, QDF, QXA, QXC2, QXF, QXF5, QXF6, QZA QZA5, QZB, QZB2, QZB3, QZE, QZE3, QZE4, QZF8, TAF, TXA2, TXF TXF2, TXF4, TXF5, TXF7, VEP4, VXA1, VXD2, VXD4, VXE1, VXE2 VXE4, VXF, VZA, VZA2
					1	-	-	-----	1004973 QXF4
					1	-	-	-----	1029812 VXD8
	11	L	39700-Z6L-003	METER ASSY., HOUR.....	1	1	1	-----	BAF, BXF, BXF5, KXA, QAF1, QDF, QXA, QXC2, QXF, QXF5, QXF6, QZA QZA5, QZB, QZB2, QZB3, QZE, QZE3, QZE4, QZF8, TAF, TXA2, TXF TXF2, TXF4, TXF5, TXF7, VEP4, VXA1, VXD2, VXD4, VXE1, VXE2 VXE4, VXF, VZA, VZA2
					1	-	-	-----	1004973 QXF4
					1	-	-	-----	1029812 VXD8
	12	L	87117-Z2E-800	LABEL, FUSE (30A).....	1	1	1	-----	BAF, BXF, BXF5, KXA, QAF1, QDF, QXA, QXC2, QXF, QXF5, QXF6, QZA QZA5, QZB, QZB2, QZB3, QZE, QZE3, QZE4, QZF8, TAF, TXA2, TXF TXF2, TXF4, TXF5, TXF7, VEP4, VXA1, VXD2, VXD4, VXE1, VXE2 VXE4, VXF, VZA, VZA2
					1	-	-	-----	1004973 QXF4
					1	-	-	-----	1029812 VXD8
	13	L	87501-Z6L-000	MARK, ENGINE SWITCH.....	1	1	1	-----	BXF, BXF5, KXA, QXA, QXC2, QXF, QXF5, QXF6, QZA, QZA5, QZB, QZB2 QZB3, QZE, QZE3, QZE4, QZF8, TXA2, TXF, TXF2, TXF4, TXF5, TXF7 VEP4, VXA1, VXD2, VXD4, VXE1, VXE2, VXE4, VXF, VZA, VZA2
					1	-	-	-----	1004973 QXF4
					1	-	-	-----	1029812 VXD8
	14	L	87502-Z6L-800	MARK, THROTTLE SWITCH.....	1	1	1	-----	BXF5, QXF, QXF5, TXF5, VXD2, VXD4, VXE1, VXE2, VXE4, VZA2
					1	-	-	-----	1029812 VXD8

NOTE A:PART NO. CHANGE D:NEWLY PROVIDED E:PART NO.DELETION K:REQUIRED NO. CORRECTION L:APPLICATION SERIAL NO. CORRECTION
T:APPLICATION CORRECTION Z:REMARKS CHANGE

PARTS CATALOGUE NEWS

BOOKNo. : 13Z9EA01

Block No.	Ref. No.	Note	Part No.	Description	Reqd. QTY			Serial No.	Parts catalogue code
					GX 630R	GX 660R	GX 690R		
	17	L	90101-SP1-003	SCREW, TAPPING, 3X8 (PO).....	2	2	2	-----	BAF, BXF, BXF5, KXA, QAF1, QDF, QXA, QXC2, QXF, QXF5, QXF6, QZA QZA5, QZB, QZB2, QZB3, QZE, QZE3, QZE4, QZF8, TAF, TXA2, TXF TXF2, TXF4, TXF5, TXF7, VEP4, VXA1, VXD2, VXD4, VXE1, VXE2 VXE4, VXF, VZA, VZA2
					2	-	-	-----	1004973 QXF4
					2	-	-	-----	1029812 VXD8
	18	L	90380-MB2-000	SCREW, SPECIAL, 6X8.....	1	1	1	-----	BAF, BXF, BXF5, KXA, QAF1, QDF, QXA, QXC2, QXF, QXF5, QXF6, QZA QZA5, QZB, QZB2, QZB3, QZE, QZE3, QZE4, QZF8, TAF, TXA2, TXF TXF2, TXF4, TXF5, TXF7, VEP4, VXA1, VXD2, VXD4, VXE1, VXE2 VXE4, VXF, VZA, VZA2
					1	-	-	-----	1004973 QXF4
					1	-	-	-----	1029812 VXD8
	19	L	90601-Z6L-000	GROMMET, CONTROL BOX.....	1	1	1	-----	BAF, BXF, BXF5, KXA, QAF1, QDF, QXA, QXC2, QXF, QXF5, QXF6, QZA QZA5, QZB, QZB2, QZB3, QZE, QZE3, QZE4, QZF8, TAF, TXA2, TXF TXF2, TXF4, TXF5, TXF7, VEP4, VXA1, VXD2, VXD4, VXE1, VXE2 VXE4, VXF, VZA, VZA2
					1	-	-	-----	1004973 QXF4
					1	-	-	-----	1029812 VXD8
	21	L	90681-763-A01	CLIP, WIRE HARNESS.....	1	1	1	-----	BAF, BXF, BXF5, KXA, QAF1, QDF, QXA, QXC2, QXF, QXF5, QXF6, QZA QZA5, QZB, QZB2, QZB3, QZE, QZE3, QZE4, QZF8, TAF, TXA2, TXF TXF2, TXF4, TXF5, TXF7, VEP4, VXA1, VXD2, VXD4, VXE1, VXE2 VXE4, VXF, VZA, VZA2
					1	-	-	-----	1004973 QXF4
					1	-	-	-----	1029812 VXD8
	22	L	91508-GN2-000	SCREW, PAN, 5X10.5.....	2	2	2	-----	BAF, BXF, BXF5, KXA, QAF1, QDF, QXA, QXC2, QXF, QXF5, QXF6, QZA QZA5, QZB, QZB2, QZB3, QZE, QZE3, QZE4, QZF8, TAF, TXA2, TXF TXF2, TXF4, TXF5, TXF7, VEP4, VXA1, VXD2, VXD4, VXE1, VXE2 VXE4, VXF, VZA, VZA2
					2	-	-	-----	1004973 QXF4
					2	-	-	-----	1029812 VXD8

NOTE A:PART NO. CHANGE D:NEWLY PROVIDED E:PART NO.DELETION K:REQUIRED NO. CORRECTION L:APPLICATION SERIAL NO. CORRECTION
T:APPLICATION CORRECTION Z:REMARKS CHANGE

PARTS CATALOGUE NEWS

BOOKNo. : 13Z9EA01

Block No.	Ref. No.	Note	Part No.	Description	Reqd. QTY			Serial No.	Parts catalogue code
					GX 630R	GX 660R	GX 690R		
	23	L	91565-SEL-003	CLIP, COUPLER (BLACK).....	2	2	2	-----	BAF, BXF, BXF5, KXA, QAF1, QDF, QXA, QXC2, QXF, QXF5, QXF6, QZA, QZA5, QZB, QZB2, QZB3, QZE, QZE3, QZE4, QZF8, TAF, TXA2, TXF, TXF2, TXF4, TXF5, TXF7, VEP4, VXA1, VXD2, VXD4, VXE1, VXE2, VXE4, VXF, VZA, VZA2
					2	-	-	-----	1004973 QXF4
					2	-	-	-----	1029812 VXD8
	24	L	93893-05008-07	*PART NO. DELETION	1	1	1	-----	BAF, BXF, BXF5, KXA, QAF1, QDF, QXA, QXC2, QXF, QXF5, QXF6, QZA, QZA5, QZB, QZB2, QZB3, QZE, QZE3, QZE4, QZF8, TAF, TXA2, TXF, TXF2, TXF4, TXF5, TXF7, VEP4, VXA1, VXD2, VXD4, VXE1, VXE2, VXE4, VXF, VZA, VZA2
					1	-	-	-----	1004973 QXF4
					1	-	-	-----	1029812 VXD8
	25	L	93913-25310	*PART NO. DELETION	1	1	1	-----	BAF, BXF, BXF5, KXA, QAF1, QDF, QXA, QXC2, QXF, QXF5, QXF6, QZA, QZA5, QZB, QZB2, QZB3, QZE, QZE3, QZE4, QZF8, TAF, TXA2, TXF, TXF2, TXF4, TXF5, TXF7, VEP4, VXA1, VXD2, VXD4, VXE1, VXE2, VXE4, VXF, VZA, VZA2
					1	-	-	-----	1004973 QXF4
					1	-	-	-----	1029812 VXD8
	26	L	98200-43000	*PART NO. DELETION	1	1	1	-----	BAF, BXF, BXF5, KXA, QAF1, QDF, QXA, QXC2, QXF, QXF5, QXF6, QZA, QZA5, QZB, QZB2, QZB3, QZE, QZE3, QZE4, QZF8, TAF, TXA2, TXF, TXF2, TXF4, TXF5, TXF7, VEP4, VXA1, VXD2, VXD4, VXE1, VXE2, VXE4, VXF, VZA, VZA2
					1	-	-	-----	1004973 QXF4
					1	-	-	-----	1029812 VXD8

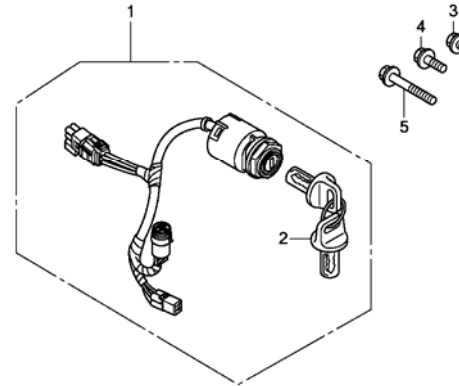
NOTE A:PART NO. CHANGE D:NEWLY PROVIDED E:PART NO.DELETION K:REQUIRED NO. CORRECTION L:APPLICATION SERIAL NO. CORRECTION
T:APPLICATION CORRECTION Z:REMARKS CHANGE

PARTS CATALOGUE NEWS

BOOKNo. : 13Z9EA01

Block No.	Ref. No.	Note	Part No.	Description	Reqd. QTY			Serial No.	Parts catalogue code
					GX 630R	GX 660R	GX 690R		

E-40-2 OTHER PARTS (SWITCH ASSY, COMBINATION)



Z9E0E4002

E-40-2	1	D	35100-Z6L-801	SWITCH ASSY., COMBINATION.	1	-	-	1029813	-----	VXD8
	2	D	35110-ZV5-V50	KEY ASSY., COMBINATION SWITCH (W05)	2	-	-	1029813	-----	VXD8
	3	D	95701-06008-00	BOLT, FLANGE, 6X8.	1	-	-	1029813	-----	VXD8
	4	D	95701-06014-00	BOLT, FLANGE, 6X14.	1	-	-	1029813	-----	VXD8
	5	D	95701-06030-00	BOLT, FLANGE, 6X30.	1	-	-	1029813	-----	VXD8

NOTE A:PART NO. CHANGE D:NEWLY PROVIDED E:PART NO.DELETION K:REQUIRED NO. CORRECTION L:APPLICATION SERIAL NO. CORRECTION
T:APPLICATION CORRECTION Z:REMARKS CHANGE



PARTS CATALOGUE NEWS

Honda Motor Co., Ltd.

Customer Service Technology Development Division

PARTS CATALOGUE - CORRECTED

Printed in Japan

CODE NO.	13Z9EA01
PARTS CATALOGUE NEWS	GX630R GX660R GX690R
NEWS NO.	017

Block No.	Ref. No.	Note	Part No.	Description	Reqd. QTY			Serial No.	Parts catalogue code
					GX 630R	GX 660R	GX 690R		
E-18	3	L	16850-Z6L-000	TUBE COMP. A, FUEL (FKM).....	-	1	-	----- 1003261	
					-	-	1	----- 1005009	BAF, BDW, BXF, BXF5, TAF, TDW, TXA2, TXF, TXF2, TXF4, TXF5, TXF7 TXF9, VXE1, VXE2, VXE4
					1	-	-	----- 1015411	QAB, QAF, QAF1, QAF2, QAF3, QDF, QDF2, QDP2, QDW, QDX2, QWF2 QXA, QXB1, QXC2, QXF, QXF4, QXF5, QXF6, QYD, QYF, QZA, QZA5, QZB QZB2, QZB3, QZE, QZE3, QZE4, QZF8, TXA2, TXF2, VAB5, VAF6, VD VDB2, VDC2, VEP4, VXA1, VXD, VXD2, VXD4, VXD8, VXE1, VXE2, VXE8 VXF, VXF4, VXP2, VZA, VZA2
		T	16850-Z6L-010	-	1	-	1003262 -----	
					-	-	1	1005010 -----	BAF, BDW, BXF, BXF5, TAF, TDW, TXA2, TXF, TXF2, TXF4, TXF5, TXF7 TXF9, VXE1, VXE2, VXE4
					1	-	1	----- -----	KAF, KWF, KXA
					1	-	-	1015412 -----	QAB, QAF, QAF1, QAF2, QAF3, QDF, QDF2, QDP2, QDW, QDX2, QWF2 QXA, QXB1, QXC2, QXF, QXF4, QXF5, QXF6, QYD, QYF, QZA, QZA5, QZB QZB2, QZB3, QZE, QZE3, QZE4, QZF8, TXA2, TXF2, VAB5, VAF6, VD VDB2, VDC2, VEP4, VXA1, VXD, VXD2, VXD4, VXD8, VXE1, VXE2, VXE8 VXF, VXF4, VXP2, VZA, VZA2

NOTE A:PART NO. CHANGE D:NEWLY PROVIDED E:PART NO. DELETION K:REQUIRED NO. CORRECTION L:APPLICATION SERIAL NO. CORRECTION
T:APPLICATION CORRECTION Z:REMARKS CHANGE



PARTS CATALOGUE NEWS

Honda Motor Co., Ltd.
Customer Service Technology Development Division

PARTS CATALOGUE - CORRECTED

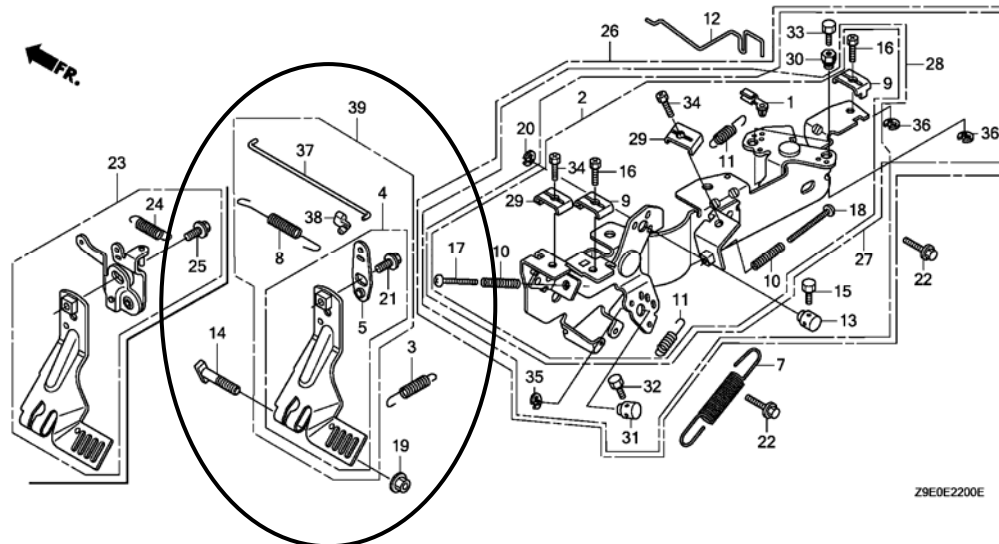
Printed in Japan

CODE NO.	13Z9EA01
PARTS CATALOGUE NEWS	GX630R GX660R GX690R
NEWS NO.	018

Block No.	Ref. No.	Note	Part No.	Description	Reqd. QTY	Serial No.	Parts catalogue code
					GX 630R GX 660R GX 690R		

E-22 CONTROL

Ref. No.	(Relative ref. Number)	Description	FRT
4	(39)		
1161A0	ARM, GOVERNOR	0.3
37 1161B1	ROD, GOVERNOR	0.2



Z9E0E2200E

E-22	4	E	16550-Z6L-000	*PARTS NO. DELETION
		E	16550-Z6L-010	*PARTS NO. DELETION

NOTE A:PART NO. CHANGE D:NEWLY PROVIDED E:PART NO.DELETION K:REQUIRED NO. CORRECTION L:APPLICATION SERIAL NO. CORRECTION
T:APPLICATION CORRECTION Z:REMARKS CHANGE

PARTS CATALOGUE NEWS

BOOKNo. : 13Z9EA01

Block No.	Ref. No.	Note	Part No.	Description	Reqd. QTY			Serial No.	Parts catalogue code
					GX 630R	GX 660R	GX 690R		
		T	16550-Z6L-020	ARM COMP., GOVERNOR.....	-	-	1	1012854 -----	BAF, BDW, BXF, BXF5, TAF, TDW, TXA2, TXF, TXF2, TXF4, TXF5, TXF7 TXF9, VXE1
					-	1	-	1005200 -----	BAF, BDW, BXF, BXF5, TAF, TDW, TXA2, TXF, TXF4, TXF5, TXF7, TXF9 VXE1
					1	-	1	-----	KAF, KXA, KXF
					1	-	-	1036759 -----	QAB, QAF, QAF1, QAF2, QAF3, QDF, QDF2, QDP2, QDW, QDX2, QXA QXB1, QXC2, QXF, QXF4, QXF5, QXF6, QYD, QYF, QZA, QZA5, QZB QZB2, QZB3, QZE, QZE3, QZE4, QZF8, TXA2, TXF2, VAB5, VAF6, VEP4 VXA1, VXD8, VXE1, VXE8, VXF, VXF4, VXP2, VZA
	5	E	16553-Z6L-000	*PARTS NO. DELETION					
		T	16553-Z6L-010	ARM, SUB.....	-	-	1	1012854 -----	BAF, BDW, BXF, BXF5, TAF, TDW, TXA2, TXF, TXF2, TXF4, TXF5, TXF7 TXF9, VXE1
					-	1	-	1005200 -----	BAF, BDW, BXF, BXF5, TAF, TDW, TXA2, TXF, TXF4, TXF5, TXF7, TXF9 VXE1
					1	-	1	-----	KAF, KXA, KXF
					1	-	-	1036759 -----	QAB, QAF, QAF1, QAF2, QAF3, QDF, QDF2, QDP2, QDW, QDX2, QXA QXB1, QXC2, QXF, QXF4, QXF5, QXF6, QYD, QYF, QZA, QZA5, QZB QZB2, QZB3, QZE, QZE3, QZE4, QZF8, TXA2, TXF2, VAB5, VAF6, VEP4 VXA1, VXD8, VXE1, VXE8, VXF, VXF4, VXP2, VZA
	6	E	16555-Z6L-000	*PARTS NO. DELETION					
	8	E	16562-Z6L-000	*PARTS NO. DELETION					
		T	16562-Z6L-010	SPRING, THROTTLE RETURN.....	-	1	-	1005200 -----	
					-	-	1	1012854 -----	BAF, BDW, BXF, BXF5, TAF, TDW, TXA2, TXF, TXF2, TXF4, TXF5, TXF7 TXF9, VXE1, VXE2, VXE4
					1	-	1	-----	KAF, KWF, KXA, KXF
					1	-	-	1036759 -----	QAB, QAF, QAF1, QAF2, QAF3, QDF, QDF2, QDP2, QDW, QDX2, QWF2 QXA, QXB1, QXC2, QXF, QXF4, QXF5, QXF6, QYD, QYF, QZA, QZA5, QZB QZB2, QZB3, QZE, QZE3, QZE4, QZF8, TXA2, TXF2, VAB5, VAF6, VD VDB2, VDC2, VEP4, VXA1, VXD, VXD2, VXD4, VXD8, VXE1, VXE2, VXE8 VXF, VXF4, VXP2, VZA, VZA2
	37	D	16555-Z6L-010	ROD, GOVERNOR.....	-	1	-	1005200 -----	

NOTE A:PART NO. CHANGE D:NEWLY PROVIDED E:PART NO.DELETION K:REQUIRED NO. CORRECTION L:APPLICATION SERIAL NO. CORRECTION
T:APPLICATION CORRECTION Z:REMARKS CHANGE

PARTS CATALOGUE NEWS

BOOKNo. : 13Z9EA01

Block No.	Ref. No.	Note	Part No.	Description	Reqd. QTY			Serial No.	Parts catalogue code
					GX 630R	GX 660R	GX 690R		
					-	-	1	1012854 -----	BAF, BDW, BXF, BXF5, TAF, TDW, TXA2, TXF, TXF2, TXF4, TXF5, TXF7 TXF9, VXE1, VXE2, VXE4
					1	-	1	-----	KAF, KWF, KXA, KXF
					1	-	-	1036759 -----	QAB, QAF, QAF1, QAF2, QAF3, QDF, QDF2, QDP2, QDW, QDX2, QWF2 QXA, QXB1, QXC2, QXF, QXF4, QXF5, QXF6, QYD, QYF, QZA, QZA5, QZB QZB2, QZB3, QZE, QZE3, QZE4, QZF8, TXA2, TXF2, VAB5, VAF6, VD VDB2, VDC2, VEP4, VXA1, VXD, VXD2, VXD4, VXD8, VXE1, VXE2, VXE8 VXF, VXF4, VXP2, VZA, VZA2
	38	D	17957-Z6L-003	BUSH, LINKAGE.....	-	-	1	1012854 -----	BAF, BDW, BXF, BXF5, TAF, TDW, TXA2, TXF, TXF2, TXF4, TXF5, TXF7 TXF9, VXE1
					-	1	-	1005200 -----	BAF, BDW, BXF, BXF5, TAF, TDW, TXA2, TXF, TXF4, TXF5, TXF7, TXF9 VXE1
					1	-	-	1036759 -----	QAB, QAF, QAF1, QAF2, QAF3, QDF, QDF2, QDP2, QDW, QDX2, QXA QXB1, QXC2, QXF, QXF4, QXF5, QXF6, QYD, QYF, QZA, QZA5, QZB QZB2, QZB3, QZE, QZE3, QZE4, QZF8, TXA2, TXF2, VAB5, VAF6, VEP4 VXA1, VXD8, VXE1, VXE8, VXF, VXF4, VXP2, VZA
					1	-	1	-----	KXF
	39	D	04102-Z6L-000	ARM KIT, GOVERNOR.....	-	-	(1)	----- 1012853	BAF, BDW, BXF, BXF5, TAF, TDW, TXA2, TXF, TXF2, TXF4, TXF5, TXF7 TXF9, VXE1
					-	(1)	-	----- 1005199	BAF, BDW, BXF, BXF5, TAF, TDW, TXA2, TXF, TXF4, TXF5, TXF7, TXF9 VXE1
					(1)	-	-	----- 1036758	QAB, QAF, QAF1, QAF2, QAF3, QDF, QDF2, QDP2, QDW, QDX2, QXA QXB1, QXC2, QXF, QXF4, QXF5, QXF6, QYD, QYF, QZA, QZA5, QZB QZB2, QZB3, QZE, QZE3, QZE4, QZF8, TXA2, TXF2, VAB5, VAF6, VEP4 VXA1, VXD8, VXE1, VXE8, VXF, VXF4, VXP2, VZA

NOTE A:PART NO. CHANGE D:NEWLY PROVIDED E:PART NO.DELETION K:REQUIRED NO. CORRECTION L:APPLICATION SERIAL NO. CORRECTION
T:APPLICATION CORRECTION Z:REMARKS CHANGE



PARTS CATALOGUE NEWS

Honda Motor Co., Ltd.

Customer Service Technology Development Division

Printed in Japan

CODE NO.	13Z9EA01
PARTS CATALOGUE NEWS	GX630R GX660R GX690R
NEWS NO.	019

GX630R-KXF, GX690R-KXF TYPES sales parts information

NOTE: This Parts Catalogue News explains only the parts of the different model that are produced to conform to addition of the GX630R-KXF, GX690R-KXF types.

As for the parts not listed on this Parts Catalogue News, use the parts of the GX630R-KXA, GX690R-KXA types.

• Models, parts catalogue codes and applicable serial numbers

Model	Type		Parts catalogue type	Applicable engine serial No.	Applicable carburetor identification No.
GX630R	KXA	Base type	KXA	GCBEK-1000001~	BK07A C
	KXF	Additional type	KXF		
GX690R	KXA	Base type	KXA	GCBGK-1000001~	BK05A B
	KXF	Additional type	KXF		BK05L A

BOOKNo. : 13Z9EA01

• Features of each type		Base type	Additional type	Base type	Additional type
		GX630R		GX690R	
Specifications	Model	KXA	KXF	KXA	KXF
	Type				
Crankshaft	25.4 mm Ø Straight (L=138)				
	28.575 mm Ø Straight (L=162)				
	36.5 mm Ø Straight (L=175.2)				
	5/16" Tapered				
	7/16" Tapered				
	M10 Tapered				
	38 mm Ø Inner spline (13 Teeth)	●	●	●	●
	38 mm Ø Inner spline (9 Teeth)				
Muffler	Side mount				
	High-R	(●)	(●)	(●)	(●)
	High-L	(●)	(●)	(●)	(●)
Spark arrester		(●)	(●)	(●)	(●)
Control box		●	●	●	●

NOTE A:PART NO. CHANGE D:NEWLY PROVIDED E:PART NO. DELETION K:REQUIRED NO. CORRECTION L:APPLICATION SERIAL NO. CORRECTION
T:APPLICATION CORRECTION Z:REMARKS CHANGE

PARTS CATALOGUE NEWS

BOOKNo. : 13Z9EA01

Block No.	Ref. No.	Part No.	Description	Reqd. QTY			Base Part No.	Parts catalogue code
				GX 630R	GX 660R	GX 690R		
E-14	5	16016-Z6L-003	SCREW SET.....	-	-	2		KXF
	7	16100-Z6L-921	CARBURETOR ASSY. (BK05L A)....	-	-	1	16100-Z6L-013	KXF
	12	16166-Z8N-003	NOZZLE, MAIN.....	-	-	2	16166-Z6L-003	KXF
	26	99101-ZH8-1120	JET, MAIN, #112.....	-	-	(1)	99101-ZH8-1050	KXF
		99101-ZH8-1180	JET, MAIN, #118.....	-	-	(1)	99101-ZH8-1100	KXF
		99101-ZH8-1250	JET, MAIN, #125.....	-	-	1	99101-ZH8-1180	KXF
	27	99101-ZH8-1120	JET, MAIN, #112.....	-	-	(1)	99101-ZH8-1050	KXF
		99101-ZH8-1180	JET, MAIN, #118.....	-	-	(1)	99101-ZH8-1100	KXF
		99101-ZH8-1250	JET, MAIN, #125.....	-	-	1	99101-ZH8-1180	KXF
	32	17416-Z6L-000	JOINT, CONNECTING TUBE.....	1	-	1		KXF
	33	95701-06012-00	BOLT, FLANGE, 6X12.....	2	-	2		KXF
	34		SCREW SET..... (CARBURETOR NO.)	-	-	0	16016-Z6L-801	KXF
	35		CAP, ADJUSTING SCREW..... (CARBURETOR NO.)	-	-	0	16134-Z6L-801	KXF
	E-15	1		ELEMENT COMP., AIR CLEANER....	0	-	0	17210-Z6L-010
2			CASE COMP., AIR CLEANER.....	0	-	0	17220-Z6L-000	KXF
3			STAY COMP., AIR CLEANER				17223-Z6L-000	
			ELEMENT	0	-	0		KXF
4			COVER COMP., AIR CLEANER.....	0	-	0	17230-Z6L-000	KXF
5			GROMMET, AIR CLEANER.....	0	-	0	17232-Z2E-000	KXF
6			KNOB, AIR CLEANER COVER.....	0	-	0	17235-Z6L-300	KXF
7			SPRING, AIR CLEANER CASE COVER	0	-	0	17236-Z6L-300	KXF
8			PACKING, AIR CLEANER CASE.....	0	-	0	17417-Z6L-000	KXF
9			COLLAR, FAN COVER.....	0	-	0	19619-Z0A-300	KXF
10		NUT, TOOL BOX SETTING.....	0	-	0	90325-044-000	KXF	

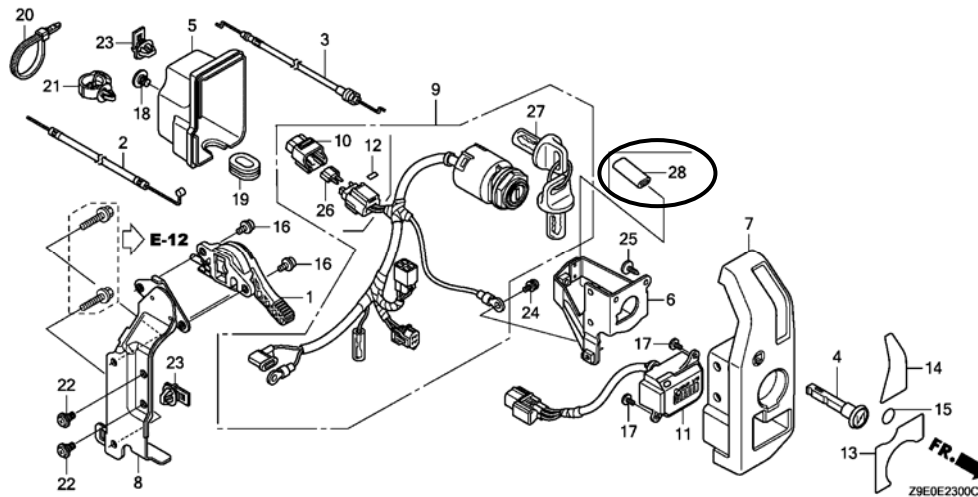
NOTE A:PART NO. CHANGE D:NEWLY PROVIDED E:PART NO.DELETION K:REQUIRED NO. CORRECTION L:APPLICATION SERIAL NO. CORRECTION
T:APPLICATION CORRECTION Z:REMARKS CHANGE

PARTS CATALOGUE NEWS

BOOKNo. : 13Z9EA01

Block No.	Ref. No.	Part No.	Description	Reqd. QTY			Base Part No.	Parts catalogue code
				GX 630R	GX 660R	GX 690R		
	11		CAP, SEALING.....	0	-	0	90802-Z6L-000	KXF
	12		NUT, FLANGE, 6MM.....	0	-	0	94050-06000	KXF
	13		BOLT, FLANGE, 6X18.....	0	-	0	95701-06018-00	KXF
	14		FILTER, OUTER.....	0	-	0	17218-Z6L-000	KXF
E-19	3	31110-Z6L-801	FLYWHEEL COMP.....	1	-	1	31110-Z6L-003	KXF
E-20	3	31630-Z6L-811	COIL ASSY., CHARGE (26A).....	1	-	1	31630-Z6L-003	KXF
	7	32110-Z6L-810	HARNES ASSY., ENGINE WIRE....	1	-	1	32110-Z6L-830	KXF
E-22	38	17957-Z6L-003	BUSH, LINKAGE.....	1	-	1		KXF

E-23 CONTROL BOX



E-23	9	35100-Z6L-811	SWITCH ASSY., COMBINATION.....	1	-	1	35100-Z6L-003	KXF
	10		COVER ASSY., FUSE.....	0	-	0	38216-Z2E-003	KXF
	12		LABEL, FUSE (30A).....	0	-	0	87117-Z2E-800	KXF
	26		FUSE, MINI (30A).....	0	-	0	98200-43000	KXF

NOTE A:PART NO. CHANGE D:NEWLY PROVIDED E:PART NO. DELETION K:REQUIRED NO. CORRECTION L:APPLICATION SERIAL NO. CORRECTION
T:APPLICATION CORRECTION Z:REMARKS CHANGE

PARTS CATALOGUE NEWS

BOOKNo. : 13Z9EA01

Block No.	Ref. No.	Part No.	Description	Reqd. QTY			Base Part No.	Parts catalogue code
				GX 630R	GX 660R	GX 690R		
	27	35110-ZV5-V50	KEY ASSY., COMBINATION SWITCH (W05)	2	-	2		KXF
	28	32349-Z6L-000	TUBE, PVC.....	1	-	1		KXF
E-40	9		RECTIFIER ASSY., REGULATOR (20A)	0	-	0	31750-Z2E-803	KXF
	10		HARNESS ASSY., SUB WIRE.....	0	-	0	32105-Z6L-000	KXF
	21	31750-Z6L-004	RECTIFIER ASSY., REGULATOR (30A)	1	-	1		KXF
	22	32105-Z6L-800	HARNESS ASSY., SUB WIRE.....	1	-	1		KXF
	24	95701-08014-00	BOLT, FLANGE, 8X14.....	2	-	2		KXF
E-40-1	4	87532-ZH7-800	MARK, THROTTLE INDICATION....	1	-	1		KXF

NOTE A:PART NO. CHANGE D:NEWLY PROVIDED E:PART NO. DELETION K:REQUIRED NO. CORRECTION L:APPLICATION SERIAL NO. CORRECTION
T:APPLICATION CORRECTION Z:REMARKS CHANGE



PARTS CATALOGUE NEWS

Honda Motor Co., Ltd.

Customer Service Technology Development Division

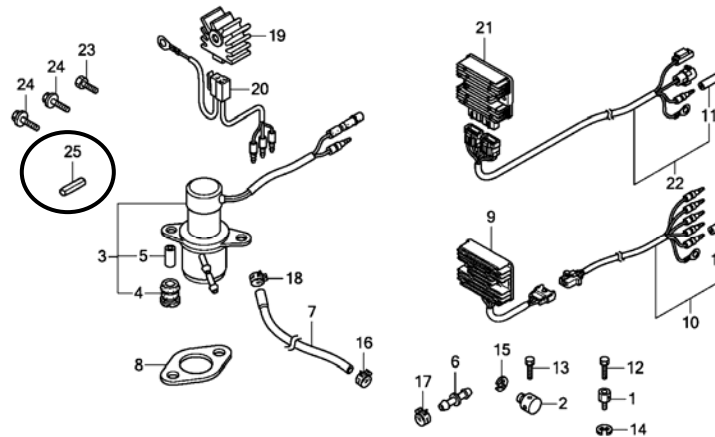
PARTS CATALOGUE - CORRECTED

Printed in Japan

CODE NO.	13Z9EA01
PARTS CATALOGUE NEWS	GX630R GX660R GX690R
NEWS NO.	020

Block No.	Ref. No.	Note	Part No.	Description	Reqd. QTY			Serial No.	Parts catalogue code
					GX 630R	GX 660R	GX 690R		

E-40 OTHER PARTS (FUEL PUMP) (REGULATOR RECTIFIER)



Z9E0E4000E

E-40	7	L	17701-Z6C-832	HOSE, FUEL (FKM).....	1	-	-	-----	-----	VXD
					1	-	-	1040069	1041543	VD
	T	91435-Z9E-801	HOSE, FUEL, 5. 5X400 (FKM).....	1	-	-	1041544	-----	VD	

NOTE A:PART NO. CHANGE D:NEWLY PROVIDED E:PART NO.DELETION K:REQUIRED NO. CORRECTION L:APPLICATION SERIAL NO. CORRECTION
T:APPLICATION CORRECTION Z:REMARKS CHANGE

PARTS CATALOGUE NEWS

BOOKNo. : 13Z9EA01

Block No.	Ref. No.	Note	Part No.	Description	Reqd. QTY			Serial No.	Parts catalogue code
					GX 630R	GX 660R	GX 690R		
	16	L	95002-40800-08	CLAMP, TUBE (D8).....	1	-	-	-----	QDX2, QYD, VXD
					1	-	-	1040069 1041543	VD
	18	K	95002-41050-08	CLAMP, TUBE (D10.5).....	1	-	-	-----	VXD
					1	-	-	1040069 1041543	VD
					2	-	-	1041544 -----	VD
	25	D	90745-ZE2-600	KEY, 6.3X6.3X43.....	1	-	-	1025506 -----	QDX2, QXF5, QYD

NOTE A:PART NO. CHANGE D:NEWLY PROVIDED E:PART NO.DELETION K:REQUIRED NO. CORRECTION L:APPLICATION SERIAL NO. CORRECTION
T:APPLICATION CORRECTION Z:REMARKS CHANGE