

# ***GENERAL PURPOSE ENGINE***

**GX120K1**

**PARTS CATALOGUE**

**9**



GX120K1

---

FOREWORD INDEX

**1**

---

ENGINE GROUP

**2**

---

PART NUMBER INDEX

**3**

---

PART NAME INDEX

**4**

---



**Instruction for use of parts catalogue**

- **This parts catalogue was prepared based on the latest information available as of November 01, 2004.**
- See the parts catalogue news for any revision that is made after November 01, 2004.
- **Always specify the part number when ordering a part.**
- Check the model, type, serial numbers, color, maker, and the size as needed before ordering a part.
- Note that the illustrations (part drawings) can differ from the actual parts in shape. They are given just to help you to refer to the parts.
- **When modifications or additions to this parts catalogue are made, a revised edition will be issued at an appropriate time, with successively progressing revision numbers on the cover. We recommend obtaining such revisions in order to keep your parts catalogue up-to-date at all times. To check whether a parts catalogue revision has been issued, please contact your Honda distributor.**

Initial version issue date **August 01, 2001**  
**Honda Motor Co., Ltd.**

**CONTENTS**

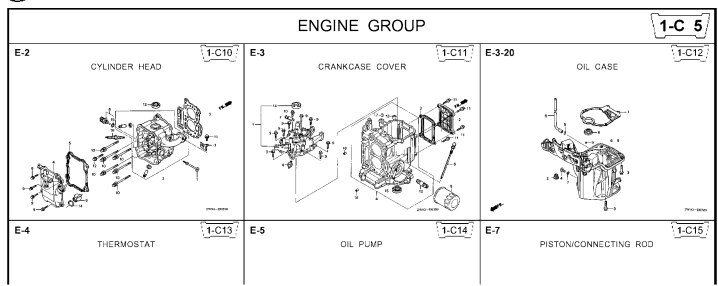
|   | Page | Address No. |          |
|---|------|-------------|----------|
| ● How to refer to the part information .....                        | 2    | B 2         | <b>1</b> |
| ● Part catalogue structure .....                                    | 3    | B 3         |          |
| ● When the parts were revised .....                                 | 4    | B 4         |          |
| ● Abbreviations used in the parts catalogue.....                    | 4    | B 4         |          |
| ● How to check the part block and serial numbers.....               | 5    | B 5         |          |
| ● Models, parts catalogue codes and applicable serial numbers ..... | 6    | B 6         |          |
| ● Features of each type.....  | 13   | B13         |          |
| ● Fuel hose, general purpose hoses and vinyl hose.....              | 28   | C12         |          |
| ● FLAT RATE SERVICE TIME.....                                       | 29   | C13         |          |
| ● Illustrated index .....   | 34   | D 2         |          |
| ● ENGINE GROUP.....   | 39   | E 1         | <b>2</b> |
| ● PART NO. INDEX.....   | 193  | 2-B 1       | <b>3</b> |
| ● PART NAME INDEX.....  | 198  | 2-C 1       | <b>4</b> |



How to refer to the part information

1

A Reference with "Illustrated index"



B Reference with "Part number index"

PART NO. INDEX

| Part Number     | Address | Page | Ref. | Part Number   | Address | Page |
|-----------------|---------|------|------|---------------|---------|------|
| 06000           |         |      |      | 15212-ZW9-000 | 1-C14   | 3C   |
| 06316-ZW9-000   | 1-G9    | 88   | 1    | 15220-ZW9-003 | 1-C14   | 3C   |
| 11000           |         |      |      | 15332-ZW9-000 | 1-E8    | 55   |
| 11300-ZW9-405   | 1-C11   | 27   | 1    | 15332-ZW9-A30 | 1-E11   | 5E   |
| 11300-ZW9-406   | 1-C11   | 27   | 1    | 15400-PFB-004 | 1-C11   | 27   |
| 11340-ZW9-000   | 1-C11   | 27   | 2    | 15422-ZW9-000 | 1-C14   | 3C   |
| 11342-ZW9-000   | 1-C11   | 27   | 3    | 15473-881-000 | 1-C14   | 3C   |
| 11381-ZW9-003   | 1-C12   | 28   | 1    | 15474-ZW9-000 | 1-C14   | 3C   |
|                 |         |      |      | 15611-921-000 | 1-C10   | 2E   |
|                 |         |      |      | 15655-ZW9-000 | 1-C11   | 27   |
|                 |         |      |      | 16000         |         |      |
| 12000           |         |      |      | 16010-ZV4-005 | 1-D4    | 3E   |
| 12000-ZW9-405ZA | 1-C11   | 27   | 4    | 16011-ZV4-005 | 1-D4    | 3E   |
| 12155-ZV4-A00   | 1-C13   | 29   | 1    | 16013-ZW9-003 | 1-D4    | 3E   |
| 12166-ZW9-000   | 1-C10   | 26   | 1    | 16016-ZW9-003 | 1-D4    | 3E   |
| 12209-GB4-681   | 1-C16   | 32   | 1    | 16016-ZW9-721 | 1-D4    | 3E   |
| 12210-ZW9-405ZA | 1-C10   | 26   | 2    | 16023-ZW9-003 | 1-D4    | 3E   |
| 12216-ZE2-300   | 1-E8    | 55   | 1    | 16024-ZV4-650 | 1-D4    | 3E   |
|                 | 1-E11   | 58   | 1    | 16028-ZV4-650 | 1-D4    | 3E   |

C Reference with "Part name index"

PART NAME INDEX

| Part name               | Address | Page | Ref. |
|-------------------------|---------|------|------|
| [ A ]                   |         |      |      |
| ABSORBER, FUEL          | 1-E15   | 62   | 5    |
| ARMATURE COMP.          | 1-D11   | 43   | 7    |
| ARM COMP., LINK JOINT   | 1-G6    | 85   | 18   |
| ARM COMP., SHIFT LINK   | 1-G6    | 85   | 14   |
| ARM COMP., TILT         | 1-F15   | 79   | 20   |
| ARM, FUEL PUMP ROCKER   | 1-C16   | 32   | 4    |
| ARM, REVERSE LOCK       | 1-F15   | 79   | 18   |
| ARM, SHIFT LINK         | 1-F11   | 74   | 7    |
| ARM, STOPPER            | 1-D1    | 33   | 12   |
| ARM, THROTTLE REMOTE    | 1-F11   | 74   | 6    |
| ARM, VALVE ROCKER       | 1-C16   | 32   | 3    |
| [ B ]                   |         |      |      |
| BAG, TOOL, 160MM        | 1-G5    | 84   | 10   |
| BAND                    | 1-G6    | 86   | 37   |
| BAND B1, WIRE           | 1-F6    | 69   | 1    |
| BAND, CORD              | 1-F3    | 67   | 18   |
| BAND, TUBE CLIP, 11MM   | 1-E15   | 63   | 20   |
| BAND, TUBE CLIP, 12.5MM | 1-E15   | 63   | 19   |

Address No. 1-C10

Block No. E-2 CYLINDER HEAD

Ref No.

| Ref. No. | Part No.        | Description                   | Reqd. QTY |          |         |          |         |          | Serial No. | Parts catalogue code |
|----------|-----------------|-------------------------------|-----------|----------|---------|----------|---------|----------|------------|----------------------|
|          |                 |                               | BF 9901   | BFP 9901 | BF 1001 | BFP 1001 | BF 10B1 | BFP 10B1 |            |                      |
| 1        | 12166-ZW9-000   | STOPPER, ENGINE SIDE          | 2         | 2        | 2       | 2        | 2       |          |            |                      |
| 2        | 12210-ZW9-000ZA | HEAD COMP., CYLINDER          | 1         | 1        | 1       | 1        | 1       |          |            |                      |
| 3        | 12251-ZW9-003   | GASKET, CYLINDER HEAD         | 1         | 1        | 1       | 1        | 1       |          |            |                      |
| 4        | 12310-ZW9-000   | COVER COMP., HEAD             | 1         | 1        | 1       | 1        | 1       |          |            |                      |
| 5        | 12312-ZW9-000   | PACKINGS, HEAD COVER          | 1         | 1        | 1       | 1        | 1       |          |            |                      |
| 6        | 15611-921-000   | CAP, OIL (NO GAUGE)           | 1         | 1        | 1       | 1        | 1       |          |            |                      |
| 7        | 16617-ZW9-000   | HOLDER, CABLE                 | 1         | 1        | 1       | 1        | 1       | SC,SG    |            |                      |
|          | 16617-ZW9-010   |                               | 1         | 1        | 1       | 1        | 1       | 1001800  | LHC,LHD    |                      |
|          |                 |                               | 1         | 1        | 1       | 1        | 1       | 1001801  | LHC,LHD    |                      |
| 8        | 35673-ZW5-003   | SENSOR ASSY., WATER           | 1         | 1        | 1       | 1        | 1       |          |            |                      |
| 9        | 90003-ZW9-000   | BOLT, FLANGE, 6X22            | 4         | 4        | 4       | 4        | 4       |          |            |                      |
| 10       | 90007-ZW9-003   | BOLT, FLANGE, 8X83            | 6         | 6        | 6       | 6        | 6       |          |            |                      |
| 11       | 90011-ZW9-000   | BOLT, FLANGE, 6X14(CT200)     | 1         | 1        | 1       | 1        | 1       |          |            |                      |
| 12       | 90020-ZW9-000   | BOLT, FLANGE, 8X40            | 2         | 2        | 2       | 2        | 2       |          |            |                      |
| 13       | 91002-K19-003   | OIL SEAL, 20X32X6             | 1         | 1        | 1       | 1        | 1       |          |            |                      |
| 14       | 91301-805-000   | O-RING, 26X2.7                | 1         | 1        | 1       | 1        | 1       |          |            |                      |
| 15       | 91307-PK2-005   | O-RING, 9.5X1.5(HONDA KIKAKI) | 1         | 1        | 1       | 1        | 1       |          |            |                      |
| 16       | 98059-55916     | PLUG, SPARK (CR5EH-9)         | 2         | 2        | 2       | 2        | 2       |          |            |                      |
|          | 98059-55926     | PLUG, SPARK (U16FER9)         | 2         | 2        | 2       | 2        | 2       |          |            |                      |

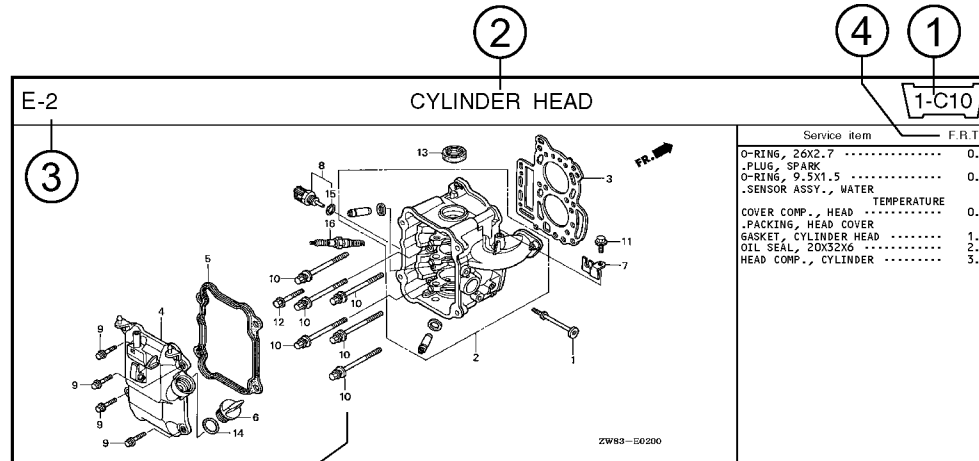
Service item F.R.T.

- O-RING, 26X2.7 ..... 0.1
- PLUG, SPARK ..... 0.2
- O-RING, 9.5X1.5 ..... 0.2
- SENSOR ASSY., WATER ..... 0.3
- COVER COMP., HEAD ..... 0.3
- PACKING, HEAD COVER ..... 1.8
- GASKET, CYLINDER HEAD ..... 2.4
- OIL SEAL, 20X32X6 ..... 2.4
- HEAD COMP., CYLINDER ..... 3.1

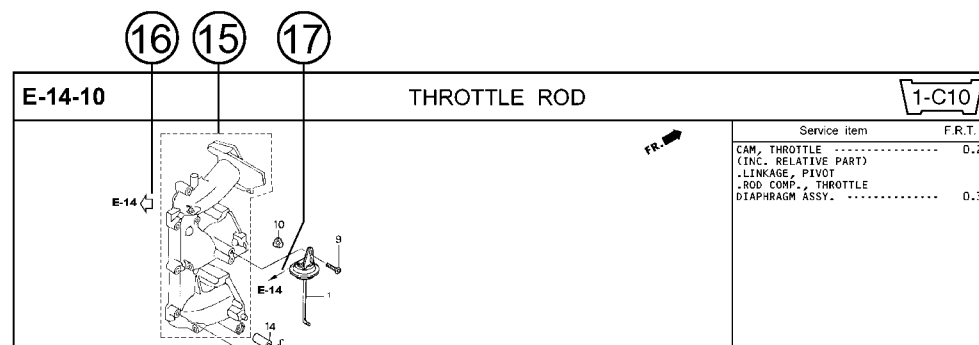
2000.09.20 E

Page No.

Part catalogue structure



| Ref. No. | Part No.        | Description                   | Reqd. QTY |          |         |          |         |                 | Serial No. | Parts catalogue code |
|----------|-----------------|-------------------------------|-----------|----------|---------|----------|---------|-----------------|------------|----------------------|
|          |                 |                               | BF 9/9D1  | BFP 10D1 | BF 10D1 | BFP 10B1 | BF 10B1 | BFP 10B1        |            |                      |
| 1        | 12166-ZW9-000   | STOPPER, ENGINE SIDE          | 2         | 2        | 2       | 2        | 2       |                 |            |                      |
| 2        | 12210-ZW9-000ZA | HEAD COMP., CYLINDER<br>*NHS* | 1         | 1        | 1       | 1        | 1       |                 |            |                      |
| 3        | 12251-ZW9-003   | GASKET, CYLINDER HEAD         | 1         | 1        | 1       | 1        | 1       |                 |            |                      |
| 4        | 12310-ZW9-000   | COVER COMP., HEAD             | 1         | 1        | 1       | 1        | 1       |                 |            |                      |
| 5        | 12312-ZW9-000   | PACKING, HEAD COVER           | 1         | 1        | 1       | 1        | 1       |                 |            |                      |
| 6        | 15611-921-000   | CAP, OIL<br>(NO GAUGE)        | 1         | 1        | 1       | 1        | 1       |                 |            |                      |
| 7        | 16617-ZW9-000   | HOLDER, CABLE                 | 1         | 1        | 1       | 1        | 1       | SC,SG           |            |                      |
|          | 16617-ZW9-010   |                               | 1         | 1        | 1       | 1        | 1       | 1001800 LHC,LHD |            |                      |



① Address number

- Address No. is provided (in place of the page No.) to help you refer to the part with the part No. or part name.

② Block title ③ Block number

④ Service item/Flat rate time

⑤ Reference number

- Title number marked with the parenthesis or parentheses indicates that it continues from the previous page.

⑥ Part number ⑦ Honda color code

⑧ Description

⑨ Assemblies

- Sections framed with broken lines in the exploded view drawings are available as complete assemblies. (Their individual parts can also be obtained.)

⑩ Color description

⑪ Note

- Notes are shown with the parentheses in the part name column.

⑫ Required quantity

- Required QTY shown in the parenthesis or parentheses indicates the optional part.
- Required QTY marked with "N" Indicates the optional part that should be selected as needed.
- Required QTY indicates the number of the part used in the block.

⑬ Serial number

⑭ Type

- When the type column is blank, it indicates that the part is applicable to all types.
- As the type of the actual unit may differ from the "parts catalogue, type" please refer to "Models, types and applicable serial numbers" for confirmation.

⑮

- Parts enclosed within a dotted line are covered in a different block.

⑯

- A hollow arrow indicates the block No. for the parts enclosed within a dotted line .

⑰

- A solid arrow indicates the block No. the part in question is connected to.

When the parts were revised

Abbreviations used in the parts catalogue

1



Be sure to check the serial number!!



| Ref. No. | Part No.        | Description                      | Reqd. QTY |           |         |          |         |          | Serial No.                               |
|----------|-----------------|----------------------------------|-----------|-----------|---------|----------|---------|----------|--|
|          |                 |                                  | BF 99D1   | BFP 9.9D1 | BF 10D1 | BFP 10D1 | BF 10B1 | BFP 10B1 |  |
| 1        | 12166-ZW9-000   | STOPPER, ENGINE SIDE .....       | 2         | 2         | 2       | 2        | 2       | 2        |  |
| 2        | 12210-ZW9-000ZA | HEAD COMP., CYLINDER *NH8* ..... | 1         | 1         | 1       | 1        | 1       | 1        |  |
| 3        | 12251-ZW9-003   | GASKET, CYLINDER HEAD .....      | 1         | 1         | 1       | 1        | 1       | 1        |  |
| 4        | 12310-ZW9-000   | COVER COMP., HEAD .....          | 1         | 1         | 1       | 1        | 1       | 1        |  |
| 5        | 12312-ZW9-000   | PACKING, HEAD COVER .....        | 1         | 1         | 1       | 1        | 1       | 1        |  |
| 6        | 15611-921-000   | CAP, OIL (NO GAUGE) .....        | 1         | 1         | 1       | 1        | 1       | 1        |  |
| 7        | 16617-ZW9-000   | HOLDER, CABLE (###) .....        | 1         | 1         | 1       | 1        | 1       | 1        | SC, SG<br>LHC, LHD<br>1001800<br>1001801 |
|          | 16617-ZW9-010   | .....                            | 1         | 1         | 1       | 1        | 1       | 1        |  |

The number has been used from the initial model without revision.

When shown at the left side, it is applicable to the models of No.1001801 and the subsequent numbers.

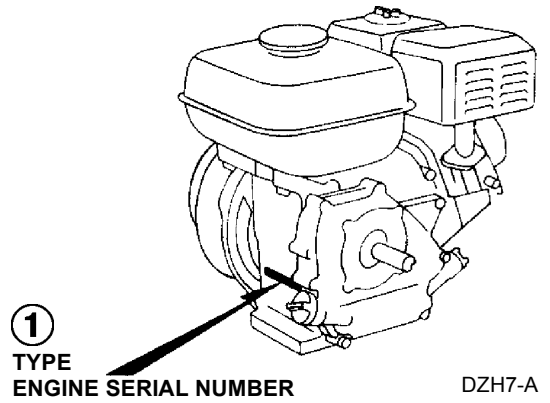
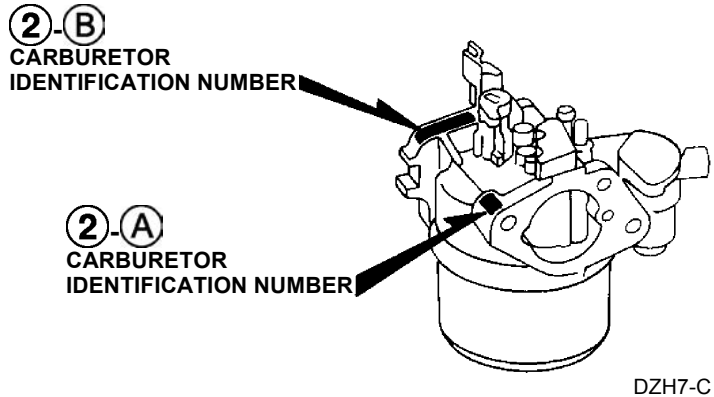
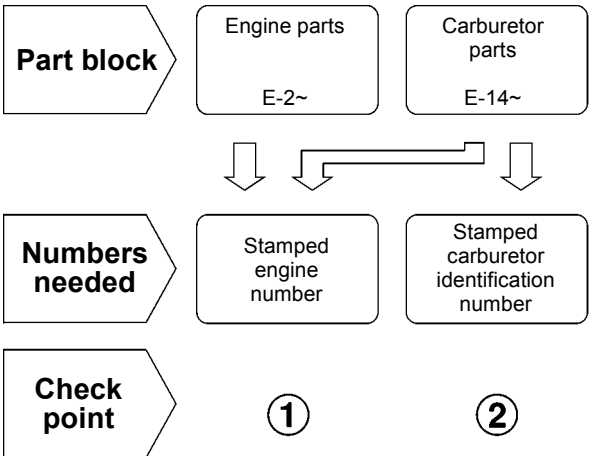
When shown at the right side, it is applicable to the models up to No.1001800.

• The parts listed with "###" at the end of the parts name have limited supply period (parts not for sale).

• The following abbreviations are used in the parts name column.

- |             |                                  |             |                     |
|-------------|----------------------------------|-------------|---------------------|
| A .....     | Ampere                           | FR. ....    | Front               |
| A.C. ....   | Alternating current              | IN. ....    | Inlet               |
| ASSY. ....  | Assembly                         | L (100L) .. | Link (100 Links)    |
| AT. ....    | Automatic transmission           | L. ....     | Left                |
| C.D.I. .... | Capacitive discharge ignition    | MM .....    | Millimeter          |
| COMP. ...   | Complete                         | MT. ....    | Manual Transmission |
| D.C. ....   | Direct current                   | P.T.O. .... | Power take off      |
| EX. ....    | Exhaust                          | R. ....     | Right               |
| G.F.C.I ... | Ground fault circuit interruptor | RR. ....    | Rear                |
| HEX. ....   | Hexagonal                        | STD. ....   | Standard            |
| H.S.T. .... | Hydrostatic transmission         | T (22T) ... | Tooth (22 Teeth)    |
|             |                                  | V .....     | Volt                |
|             |                                  | W .....     | Watt                |

How to check the part block and serial numbers





Models, parts catalogue codes and applicable serial numbers

- Models, parts catalogue codes and applicable serial Nos. given in this parts catalogue can be identified as follows.

| Model          | Type | Parts catalogue type | Applicable engine serial No. | Applicable carburetor identification No. |
|----------------|------|----------------------|------------------------------|--|
| GX120K1<br>(1) | AR   | AR                   | GC01-<br>2000001~4299999     | BE62A A<br>BE62C A                       |
|                | DKR  | DKR                  |                              |  |
|                | DS   | DS                   |                              | BE12A A / B / C<br>BE60L A<br>BE60C B    |
|                | EN   | EN                   | GC01-<br>2000001~3553150     | BE12A A / B / C<br>BE60L A               |
|                | ET   | ET                   |                              |  |
|                | ETX  | ETX                  |                              |  |
|                | HH   | HH                   | GC01-<br>2000001~4299999     | BE12A A / B / C                          |
|                | HHQ4 | HHQ4                 |                              | BE12A B / C<br>BE60B B                   |
|                | HTF2 | HTF2                 |                              | BE60B A / B                              |
|                | HT2  | HT2                  | BE60B B                      |  |
|                | HX   | HX                   | GC01-<br>2000001~3553150     | BE12A A / B / C<br>BE60B B               |
|                | HXQ  | HXQ                  |                              | BE60A A / B                              |
|                | HXU  | HXU                  |                              | BE12A C<br>BE60B B                       |
|                | HX2  | HX2                  | GC01-<br>2000001~4299999     | BE60B A / B                              |
| HX26           | HX26 |                      |                              |  |

| Model          | Type | Parts catalogue type | Applicable engine serial No. | Applicable carburetor identification No.         |                        |
|----------------|------|----------------------|------------------------------|--|------------------------|
| GX120K1<br>(1) | HX4  | HX4                  | GC01-<br>2000001~4299999     | BE12A B / C<br>BE60B B<br>BE62A A<br>BE62C A     |                        |
|                | KR   | KR                   |                              | BE62A A  |                        |
|                | KRA4 | KRA4                 |                              | BE62C A  |                        |
|                | KRF4 | KRF4                 |                              | BE62A A  |                        |
|                | KRS4 | KRS4                 |                              | BE62A A<br>BE62C A                               |                        |
|                | KRT  | KRT                  |                              | BE62A A<br>BE62C A                               |                        |
|                | KRT4 | KRT4                 |                              | BE62A A  |                        |
|                | KRT6 | KRT6                 |                              | BE12A C<br>BE60B B<br>BE12B A / B / C<br>BE61D B |                        |
|                | LAJ4 | LAJ4                 |                              | GC01-<br>2000001~3553150                         | BE12B B / C            |
|                | LD   | LD                   |                              | GC01-<br>2000001~4299999                         | BE12B B / C<br>BE61D B |
|                | LDB1 | LDB1                 | GC01-<br>2000001~3553150     | BE12B B / C                                      |                        |
|                | LDB3 | LDB3                 |                              | BE12B B / C<br>BE61D B                           |                        |
|                | LD4  | LD4                  | GC01-<br>2000001~3553150     | BE12B B / C                                      |                        |
|                | LE   | LE                   |                              | BE12B A / B / C                                  |                        |
|                | LEH4 | LEH4                 | GC01-<br>2000001~3186277     | BE12A C<br>BE60B B                               |                        |
|                | LH   | LH                   | GC01-<br>2000001~4299999     | BE12A A / B / C<br>BE60B B                       |                        |

| Model          | Type | Parts catalogue type | Applicable engine serial No. | Applicable carburetor identification No.         |
|----------------|------|----------------------|------------------------------|--|
| GX120K1<br>(1) | LHQ4 | LHQ4                 | GC01-<br>2000001~4299999     | BE12A B / C<br>BE60B B                           |
|                | LJ   | LJ                   |                              | BE12A A / B / C<br>BE60L A<br>BE60C B            |
|                | LJC  | LJC                  |                              | BE60L A  |
|                | LJD2 | LJD2                 |                              | BE60B B  |
|                | LJS  | LJS                  |                              | BE60C B  |
|                | LJT  | LJT                  |                              | GC01-<br>2000001~3553150                         |
|                | LSJ  | LSJ                  | GC01-<br>2000001~4299999     | BE12A C<br>BE60L A<br>BE60C B                    |
|                | LSJ4 | LSJ4                 |                              | BE12B C<br>BE61D B                               |
|                | LTA  | LTA                  |                              | BE12K A / B                                      |
|                | LTJ  | LTJ                  |                              | BE12A A / B / C<br>BE60B B<br>BE60L A<br>BE60C B |
|                | LTK1 | LTK1                 |                              | BE60L A  |
|                | LTR  | LTR                  |                              | BE12A C<br>BE60L A<br>BE60C B                    |

| Model          | Type | Parts catalogue type | Applicable engine serial No. | Applicable carburetor identification No. |
|----------------|------|----------------------|------------------------------|--|
| GX120K1<br>(1) | LTS  | LTS                  | GC01-<br>2000001~4299999     | BE60B B                                  |
|                | LW2  | LW2                  | GC01-<br>2000001~3553150     | BE12B A / B / C                          |
|                | LX   | LX                   | GC01-<br>2000001~4299999     | BE12A A / B / C<br>BE60B B               |
|                | LXU  | LXU                  |                              | BE12A C<br>BE60B B                       |
|                | LX2  | LX2                  |                              | BE60B A / B                              |
|                | LX26 | LX26                 |                              | BE12A B / C<br>BE60B B                   |
|                | LX4  | LX4                  |                              | BE12A A / B / C<br>BE60B B               |
|                | PH   | PH                   |                              | BE12B A / B / C                          |
|                | PM   | PM                   |                              | GC01-<br>2000001~3553150                 |
|                | PM2  | PM2                  | GC01-<br>2000001~4299999     | BE60B A / B                              |
|                | PX   | PX                   | GC01-<br>2000001~4299999     | BE12C A / B                              |
|                | PX2  | PX2                  |                              | BE60B A / B                              |
|                | QA   | QA                   | GC01-<br>2000001~3553150     | BE60B A / B                              |
|                | QAA2 | QAA2                 | GC01-<br>2000001~4299999     | BE60C A / B                              |
|                | QA2  | QA2                  | GC01-<br>2000001~4299999     |  |
|                | QA26 | QA26                 |                              |  |

1

| Model          | Type | Parts catalogue type | Applicable engine serial No. | Applicable carburetor identification No. |
|----------------|------|----------------------|------------------------------|--|
| GX120K1<br>(1) | QBU2 | QBU2                 | GC01-2000001~3553150         | BE60B A / B                              |
|                | QB26 | QB26                 | GC01-2000001~4299999         | BE60M A<br>BE60B B                       |
|                | QD   | QD                   |                              | BE12B A / B / C<br>BE61D B               |
|                | QE   | QE                   |                              | BE12B A / B / C<br>BE61G A               |
|                | QEH  | QEH                  | GC01-2000001~3181627         | BE12A A / B / C<br>BE60B B               |
|                | QH   | QH                   | GC01-2000001~4299999         | BE12A B / C<br>BE60B B                   |
|                | QHQ4 | QHQ4                 |                              | BE60B A / B                              |
|                | QH2  | QH2                  |                              | BE60B B                                  |
|                | QH26 | QH26                 |                              | BE12A C<br>BE60B B                       |
|                | QJG2 | QJG2                 |                              | BE12A B / C                              |
|                | QJW1 | QJW1                 |                              | BE12B A / B / C                          |
|                | QLL  | QLL                  |                              | BE12A B / C<br>BE60B B                   |
|                | QM   | QM                   |                              | BE12A B / C<br>BE60B B                   |
|                | QMA4 | QMA4                 |                              | BE12A B / C<br>BE60L A                   |
|                | QMA8 | QMA8                 |                              |  |
| QME4           | QME4 |                      |                              |  |

| Model          | Type | Parts catalogue type | Applicable engine serial No. | Applicable carburetor identification No. |
|----------------|------|----------------------|------------------------------|--|
| GX120K1<br>(1) | QMH  | QMH                  | GC01-2000001~4299999         | BE12A C<br>BE60B B                       |
|                | QMX2 | QMX2                 |                              | BE60B A / B                              |
|                | QPU  | QPU                  |                              | BE12A A / B / C<br>BE60B B               |
|                | QSJ  | QSJ                  | GC01-2000001~3553150         | BE12A C<br>BE60L A                       |
|                | QT   | QT                   | GC01-2000001~4299999         | BE12A A / B / C<br>BE60L A               |
|                | QTC2 | QTC2                 |                              | BE60B A / B                              |
|                | QWA4 | QWA4                 |                              | BE60B B                                  |
|                | QX   | QX                   |                              | BE12A A / B / C<br>BE60B B               |
|                | QXC  | QXC                  | GC01-2000001~3553150         | BE13A A / B<br>BE60F B                   |
|                | QXC9 | QXC9                 |                              | BE60F A / B                              |
|                | QXG  | QXG                  |                              | BE12A A / B / C                          |
|                | QXG2 | QXG2                 | GC01-2000001~4299999         | BE60B A / B                              |
|                | QXQ  | QXQ                  | GC01-2000001~3553150         | BE60A A / B                              |
|                | QXS  | QXS                  |                              | BE12A A / B / C                          |
|                | QXS2 | QXS2                 | GC01-2000001~4299999         | BE60B A / B                              |
|                | QXU  | QXU                  |                              | BE12A C<br>BE60B B                       |

| Model          | Type | Parts catalogue type | Applicable engine serial No. | Applicable carburetor identification No. |
|----------------|------|----------------------|------------------------------|--|
| GX120K1<br>(1) | QX2  | QX2                  | GC01-<br>2000001~4299999     | BE60B A / B                              |
|                | QX26 | QX26                 |                              | BE60B A / B                              |
|                | QX4  | QX4                  |                              | BE12A B / C<br>BE60B B                   |
|                | QX7  | QX7                  |                              | BE60B B                                  |
|                | RD   | RD                   |                              | BE12B A / B / C<br>BE61D B               |
|                | RD4  | RD4                  |                              | BE12B B / C<br>BE61D B                   |
|                | RH   | RH                   | GC01-<br>2000001~3553150     | BE12A A / B / C                          |
|                | RHC  | RHC                  | GC01-<br>2000001~4299999     |  |
|                | RHQ4 | RHQ4                 |                              | BE12A B / C<br>BE60B B                   |
|                | RX   | RX                   |                              | BE12A A / B / C<br>BE60B B               |
|                | RX4  | RX4                  |                              | BE12A B / C<br>BE60B B                   |
|                | SAD2 | SAD2                 |                              | GC01-<br>2000001~3553150                 |
|                | SAJ  | SAJ                  | GC01-<br>2000001~4299999     | BE12A B / C<br>BE60L A<br>BE60C B        |
|                | SAJ4 | SAJ4                 |                              | BE12A C<br>BE60B B                       |
|                | SCJ  | SCJ                  |                              | BE12A B / C<br>BE60L A<br>BE60C B        |

| Model          | Type | Parts catalogue type | Applicable engine serial No. | Applicable carburetor identification No. |
|----------------|------|----------------------|------------------------------|--|
| GX120K1<br>(1) | SD   | SD                   | GC01-<br>2000001~4299999     | BE12B A / B / C<br>BE61D B               |
|                | SDB1 | SDB1                 |                              | BE12B B / C<br>BE61D B                   |
|                | SDB3 | SDB3                 |                              |  |
|                | SD16 | SD16                 |                              |  |
|                | SD4  | SD4                  |                              |  |
|                | SE   | SE                   |                              |  |
|                | SG24 | SG24                 |                              | BE12B A / B / C<br>BE61G A               |
|                | SH   | SH                   |                              | BE60B A / B                              |
|                | SHQ4 | SHQ4                 |                              | BE12A A / B / C<br>BE60B B               |
|                | SJ   | SJ                   |                              | BE12A B / C<br>BE60B B                   |
|                |      |                      |                              |  |
|                | SJC  | SJC                  |                              | BE12A B / C<br>BE60L A<br>BE60C B        |
|                | SJC1 | SJC1                 |                              | BE12A C<br>BE60L A<br>BE60C B            |
| SJC5           | SJC5 |                      |                              |  |

1

| Model          | Type | Parts catalogue type | Applicable engine serial No. | Applicable carburetor identification No. |
|----------------|------|----------------------|------------------------------|--|
| GX120K1<br>(1) | SJD2 | SJD2                 | GC01-<br>2000001~4299999     | BE60B B                                  |
|                | SKJ  | SKJ                  |                              | BE12A A / B / C<br>BE60L A<br>BE60C B    |
|                | SKR  | SKR                  |                              | BE60L A<br>BE60C B                       |
|                | SMA7 | SMA7                 |                              | BE12A B / C<br>BE60B B                   |
|                | SMJ  | SMJ                  |                              | BE12A A / B / C<br>BE60B B               |
|                | SMW2 | SMW2                 |                              | BE60B A / B                              |
|                | SM11 | SM11                 |                              | BE60B B                                  |
|                | SM12 | SM12                 |                              |  |
|                | SM14 | SM14                 |                              |  |
|                | SN   | SN                   | GC01-<br>2000001~3132166     | BE12A A / B / C<br>BE60L A               |
|                | SSK1 | SSK1                 | GC01-<br>2000001~4299999     | BE12A B / C<br>BE60B B                   |
|                | SSK2 | SSK2                 | GC01-<br>2000001~3553150     | BE60B A / B                              |
|                | SSK3 | SSK3                 | GC01-<br>2000001~4299999     | BE12A B / C<br>BE60B B                   |
|                | SSX2 | SSX2                 |                              | BE60B B                                  |
|                | SSX4 | SSX4                 |                              | BE12A B / C<br>BE60B B                   |
|                | STP  | STP                  |                              | BE12A B / C                              |

| Model          | Type | Parts catalogue type | Applicable engine serial No. | Applicable carburetor identification No. |
|----------------|------|----------------------|------------------------------|--|
| GX120K1<br>(1) | STS  | STS                  | GC01-<br>2000001~4299999     | BE13A A / B                              |
|                | SWX2 | SWX2                 |                              | BE60B B                                  |
|                | SWX4 | SWX4                 |                              |  |
|                | SW2  | SW2                  | GC01-<br>2000001~3553150     | BE12B A / B / C                          |
|                | SX   | SX                   | GC01-<br>2000001~4299999     | BE12A A / B / C<br>BE60B B               |
|                | SXS4 | SXS4                 |                              | BE60B B                                  |
|                | SX4  | SX4                  |                              | BE12A B / C<br>BE60B B                   |
|                | SX7  | SX7                  |                              | BE60B B                                  |
|                | TH   | TH                   |                              | BE12A A / B / C<br>BE60B B               |
|                | TX   | TX                   |                              | BE60B A / B                              |
|                | TX2  | TX2                  |                              |  |
|                | TX26 | TX26                 |                              |  |
|                | TX4  | TX4                  |                              | BE12A B / C<br>BE60B B                   |
|                | UH   | UH                   |                              | BE12A A / B / C<br>BE60B B               |
|                | UX   | UX                   | BE12A C<br>BE60B B           |  |
|                | UXU  | UXU                  |                              |  |
|                | VA   | VA                   | GC01-<br>2000001~3553150     | BE12A A / B / C                          |

| Model          | Type | Parts catalogue type | Applicable engine serial No. | Applicable carburetor identification No. |
|----------------|------|----------------------|------------------------------|--|
| GX120K1<br>(1) | VAX4 | VAX4                 | GC01-<br>2000001~4299999     | BE12A B / C                              |
|                | VED  | VED                  |                              | BE12A A / B / C<br>BE60L A<br>BE60C B    |
|                | VED1 | VED1                 |                              | BE60C B                                  |
|                | VED6 | VED6                 |                              | BE12A C<br>BE60L A<br>BE60B B            |
|                | VEE1 | VEE1                 |                              | BE12H B                                  |
|                | VEK  | VEK                  |                              | BE12A A / B / C<br>BE60L A<br>BE60C B    |
|                | VET  | VET                  |                              | BE12A A / B / C<br>BE60B B               |
|                | VEX  | VEX                  |                              | BE60B B                                  |
|                | VEX7 | VEX7                 |                              | BE12A A / B / C<br>BE60L A<br>BE60C B    |
|                | VH   | VH                   |                              | GC01-<br>2000001~3553150                 |
|                | VMS4 | VMS4                 | GC01-<br>2000001~4299999     | BE12A C<br>BE60B B                       |
|                | VMT  | VMT                  |                              | BE28B A                                  |
|                | VPR4 | VPR4                 |                              | BE12A A / B / C<br>BE60B B               |
|                | VS   | VS                   |                              |  |

| Model          | Type | Parts catalogue type | Applicable engine serial No. | Applicable carburetor identification No. |
|----------------|------|----------------------|------------------------------|--|
| GX120K1<br>(1) | VSX  | VSX                  | GC01-<br>2000001~4299999     | BE12A A / B / C                          |
|                | VSX1 | VSX1                 |                              |  |
|                | VS1  | VS1                  | GC01-<br>2000001~3553150     |  |
|                | VX   | VX                   | GC01-<br>2000001~4299999     | BE12A A / B / C<br>BE60B B               |
|                | VXU  | VXU                  |                              | BE12A C<br>BE60B B                       |
|                | VX4  | VX4                  |                              | BE12A B / C<br>BE60B B                   |
|                | VX7  | VX7                  |                              | BE60B B                                  |
|                | WDA6 | WDA6                 |                              |  |
|                | WDJ  | WDJ                  |                              | BE12A B / C<br>BE60L A<br>BE60C B        |
|                | WD12 | WD12                 |                              | BE60C B                                  |
|                | WJ   | WJ                   |                              | BE12A A / B / C<br>BE60L A<br>BE60C B    |
|                | WJP  | WJP                  |                              | BE12A B / C<br>BE60L A<br>BE60C B        |
|                | WJP1 | WJP1                 |                              | BE12A C<br>BE60L A<br>BE60C B            |

| Model          | Type | Parts catalogue type | Applicable engine serial No. | Applicable carburetor identification No.                         |
|----------------|------|----------------------|------------------------------|--|
| GX120K1<br>(1) | WJ1  | WJ1                  | GC01-<br>2000001~4299999     | BE60K A<br>BE60C B   |
|                | WKD6 | WKD6                 |                              | BE60C B  |
|                | WKT2 | WKT2                 |                              | BE60C A / B  |
|                | WKT4 | WKT4                 |                              | BE60C B  |
|                | WKT6 | WKT6                 |                              |  |
|                | WMA3 | WMA3                 |                              | BE12B B / C<br>BE61D B   |
|                | WME2 | WME2                 |                              | BE60C A / B  |
|                | WME4 | WME4                 |                              | BE12B C<br>BE61D B   |
|                | WM1  | WM1                  |                              | BE61F A<br>BE61D B   |
| GX120K1<br>(2) | H1   | H1                   |                              | BE12B A / B / C<br>BE13A A / B<br>BE12A A / B / C<br>BE12C A / B |
|                | L1   | L1                   |                              |  |
|                | Q1   | Q1                   |                              |  |
|                | R1   | R1                   |                              |  |
|                | S1   | S1                   |                              |  |
|                | U1   | U1                   | GC01-<br>2000001~3553150     | BE12B A / B<br>BE13A A<br>BE12A A / B<br>BE12C A                 |

| Model                                | Type | Parts catalogue type | Applicable engine serial No. | Applicable carburetor identification No. |
|--------------------------------------|------|----------------------|------------------------------|--|
| GX120K1<br>(2)                       | V1   | V1                   | GC01-<br>2000001~3553150     | BE12B A / B / C<br>BE13A A / B           |
|                                      | W1   | W1                   | GC01-<br>2000001~4299999     | BE12A A / B / C<br>BE12C A / B           |
| GX120K1<br>(3)<br>(Indonesia-<br>KD) | QIH1 | QIH1                 | GC01-<br>9100001~9999999     | BE60L A                                  |
|                                      | UIH  | UIH                  |                              | BE12A A / B / C<br>BE60L A               |
|                                      | WIH1 | WIH1                 |                              | BE60L A                                  |
| GX120K1<br>(4)<br>(Venezuela-<br>KD) | THVZ | THVZ                 | GC01-<br>9500001~9999999     | BE12A A / B / C                          |

\* Of carburetor identification numbers, only the portions underlined in the example below are used for registration.

BE 62A A KC +  
 (A) (B)

Features of each type

• See the following table for the features of each type.

| Model<br>Type  |                             | GX120K1                |     |    |    |    |     |    |      |      |     |    |     |     |     |
|----------------|-----------------------------|------------------------|-----|----|----|----|-----|----|------|------|-----|----|-----|-----|-----|
|                |                             | Standard equipment (1) |     |    |    |    |     |    |      |      |     |    |     |     |     |
| Specifications |                             | AR                     | DKR | DS | EN | ET | ETX | HH | HHQ4 | HTF2 | HT2 | HX | HXQ | HXU | HX2 |
| Crankshaft     | 18mm Ø Straight             |                        |     |    |    |    |     |    |      |      |     |    |     |     |     |
|                | 19mm Ø Straight             |                        |     |    |    |    |     |    |      |      |     |    |     |     |     |
|                | 20mm Ø Spline               | ●                      | ●   | ●  |    |    |     |    |      |      |     |    |     |     |     |
|                | 21mm Ø Spline               |                        |     |    |    |    |     | ●  | ●    | ●    | ●   | ●  | ●   | ●   | ●   |
|                | 19.8mm Ø Tapered            |                        |     |    |    |    |     |    |      |      |     |    |     |     |     |
|                | 1/5" Tapered                |                        |     |    | ●  | ●  | ●   |    |      |      |     |    |     |     |     |
|                | 3/4" Thread                 |                        |     |    |    |    |     |    |      |      |     |    |     |     |     |
|                | 5/8" Thread                 |                        |     |    |    |    |     |    |      |      |     |    |     |     |     |
|                | M14 Stepped thread          |                        |     |    |    |    |     |    |      |      |     |    |     |     |     |
|                | M16 Stepped thread          |                        |     |    |    |    |     |    |      |      |     |    |     |     |     |
|                | 1/2" Stepped thread         |                        |     |    |    |    |     |    |      |      |     |    |     |     |     |
| Reduction      | 1/2 Reduction               | ●                      | ●   | ●  |    |    |     |    |      |      |     |    |     |     |     |
|                | 1/2 Reduction (With clutch) |                        |     |    |    |    |     |    |      |      |     |    |     |     |     |
|                | 1/6 Reduction               |                        |     |    |    |    |     | ●  | ●    | ●    | ●   | ●  | ●   | ●   | ●   |
| Fuel tank      |                             |                        |     | ●  |    |    |     | ●  | ●    | ●    | ●   | ●  | ●   | ●   | ●   |
| Oil alert      |                             |                        |     |    |    |    | ●   |    |      | ●    |     |    | ●   | ●   | ●   |
| Lamp coil      |                             |                        |     |    |    |    |     |    |      |      |     |    |     |     |     |



| Specifications |                             | Model | GX120K1                |     |    |      |      |      |     |      |      |      |    |      |      |
|----------------|-----------------------------|-------|------------------------|-----|----|------|------|------|-----|------|------|------|----|------|------|
|                |                             | Type  | Standard equipment (1) |     |    |      |      |      |     |      |      |      |    |      |      |
|                |                             |       | HX26                   | HX4 | KR | KRA4 | KRF4 | KRS4 | KRT | KRT4 | KRT6 | LAJ4 | LD | LDB1 | LDB3 |
| Crankshaft     | 18mm Ø Straight             |       |                        |     |    |      |      |      |     |      |      |      |    |      |      |
|                | 19mm Ø Straight             |       |                        |     |    |      |      |      |     |      |      |      |    |      |      |
|                | 20mm Ø Spline               |       |                        | ●   | ●  | ●    | ●    | ●    | ●   | ●    | ●    | ●    | ●  | ●    | ●    |
|                | 21mm Ø Spline               | ●     | ●                      |     |    |      |      |      |     |      |      |      |    |      |      |
|                | 19.8mm Ø Tapered            |       |                        |     |    |      |      |      |     |      |      |      |    |      |      |
|                | 1/5" Tapered                |       |                        |     |    |      |      |      |     |      |      |      |    |      |      |
|                | 3/4" Thread                 |       |                        |     |    |      |      |      |     |      |      |      |    |      |      |
|                | 5/8" Thread                 |       |                        |     |    |      |      |      |     |      |      |      |    |      |      |
|                | M14 Stepped thread          |       |                        |     |    |      |      |      |     |      |      |      |    |      |      |
|                | M16 Stepped thread          |       |                        |     |    |      |      |      |     |      |      |      |    |      |      |
|                | 1/2" Stepped thread         |       |                        |     |    |      |      |      |     |      |      |      |    |      |      |
| Reduction      | 1/2 Reduction               |       |                        | ●   | ●  | ●    | ●    | ●    | ●   | ●    | ●    | ●    | ●  | ●    | ●    |
|                | 1/2 Reduction (With clutch) |       |                        |     |    |      |      |      |     |      |      |      |    |      |      |
|                | 1/6 Reduction               | ●     | ●                      |     |    |      |      |      |     |      |      |      |    |      |      |
| Fuel tank      | ●                           | ●     |                        |     |    |      |      |      |     |      | ●    | ●    | ●  | ●    | ●    |
| Oil alert      | ●                           | ●     |                        |     |    |      |      |      |     |      |      |      |    |      |      |
| Lamp coil      |                             |       |                        |     |    |      |      |      |     |      | ●    |      |    |      |      |

| Specifications |                             | Model | GX120K1                |      |    |      |    |     |      |     |     |     |      |     |     |
|----------------|-----------------------------|-------|------------------------|------|----|------|----|-----|------|-----|-----|-----|------|-----|-----|
|                |                             | Type  | Standard equipment (1) |      |    |      |    |     |      |     |     |     |      |     |     |
|                |                             |       | LE                     | LEH4 | LH | LHQ4 | LJ | LJC | LJD2 | LJS | LJT | LSJ | LSJ4 | LTA | LTJ |
| Crankshaft     | 18mm Ø Straight             |       |                        |      |    |      |    |     |      |     |     |     |      |     |     |
|                | 19mm Ø Straight             |       |                        |      |    |      |    |     |      |     |     |     |      |     |     |
|                | 20mm Ø Spline               | ●     | ●                      | ●    | ●  | ●    | ●  | ●   | ●    | ●   | ●   | ●   | ●    | ●   | ●   |
|                | 21mm Ø Spline               |       |                        |      |    |      |    |     |      |     |     |     |      |     |     |
|                | 19.8mm Ø Tapered            |       |                        |      |    |      |    |     |      |     |     |     |      |     |     |
|                | 1/5" Tapered                |       |                        |      |    |      |    |     |      |     |     |     |      |     |     |
|                | 3/4" Thread                 |       |                        |      |    |      |    |     |      |     |     |     |      |     |     |
|                | 5/8" Thread                 |       |                        |      |    |      |    |     |      |     |     |     |      |     |     |
|                | M14 Stepped thread          |       |                        |      |    |      |    |     |      |     |     |     |      |     |     |
|                | M16 Stepped thread          |       |                        |      |    |      |    |     |      |     |     |     |      |     |     |
|                | 1/2" Stepped thread         |       |                        |      |    |      |    |     |      |     |     |     |      |     |     |
| Reduction      | 1/2 Reduction               | ●     | ●                      | ●    | ●  | ●    | ●  | ●   | ●    | ●   | ●   | ●   | ●    | ●   | ●   |
|                | 1/2 Reduction (With clutch) |       |                        |      |    |      |    |     |      |     |     |     |      |     |     |
|                | 1/6 Reduction               |       |                        |      |    |      |    |     |      |     |     |     |      |     |     |
| Fuel tank      | ●                           | ●     | ●                      | ●    | ●  | ●    | ●  | ●   | ●    | ●   | ●   | ●   | ●    | ●   |     |
| Oil alert      |                             |       |                        |      |    | ●    |    |     |      |     |     | ●   |      |     |     |
| Lamp coil      |                             |       |                        |      |    |      |    | ●   |      |     |     |     |      |     |     |

| Specifications |                             | Model | GX120K1                |     |    |     |     |      |     |    |    |     |    |     |    |
|----------------|-----------------------------|-------|------------------------|-----|----|-----|-----|------|-----|----|----|-----|----|-----|----|
|                |                             | Type  | Standard equipment (1) |     |    |     |     |      |     |    |    |     |    |     |    |
|                |                             | LTR   | LTS                    | LW2 | LX | LXU | LX2 | LX26 | LX4 | PH | PM | PM2 | PX | PX2 | QA |
| Crankshaft     | 18mm Ø Straight             |       |                        |     |    |     |     |      |     |    |    |     |    |     |    |
|                | 19mm Ø Straight             |       |                        |     |    |     |     |      |     |    |    |     |    |     | ●  |
|                | 20mm Ø Spline               | ●     | ●                      | ●   | ●  | ●   | ●   | ●    | ●   |    |    |     |    |     |    |
|                | 21mm Ø Spline               |       |                        |     |    |     |     |      |     |    |    |     |    |     |    |
|                | 19.8mm Ø Tapered            |       |                        |     |    |     |     |      |     |    |    |     |    |     |    |
|                | 1/5" Tapered                |       |                        |     |    |     |     |      |     |    |    |     |    |     |    |
|                | 3/4" Thread                 |       |                        |     |    |     |     |      |     | ●  | ●  | ●   | ●  | ●   |    |
|                | 5/8" Thread                 |       |                        |     |    |     |     |      |     |    |    |     |    |     |    |
|                | M14 Stepped thread          |       |                        |     |    |     |     |      |     |    |    |     |    |     |    |
|                | M16 Stepped thread          |       |                        |     |    |     |     |      |     |    |    |     |    |     |    |
|                | 1/2" Stepped thread         |       |                        |     |    |     |     |      |     |    |    |     |    |     |    |
| Reduction      | 1/2 Reduction               | ●     | ●                      | ●   | ●  | ●   | ●   | ●    | ●   |    |    |     |    |     |    |
|                | 1/2 Reduction (With clutch) |       |                        |     |    |     |     |      |     |    |    |     |    |     |    |
|                | 1/6 Reduction               |       |                        |     |    |     |     |      |     |    |    |     |    |     |    |
| Fuel tank      | ●                           | ●     | ●                      | ●   | ●  | ●   | ●   | ●    | ●   | ●  | ●  | ●   | ●  | ●   | ●  |
| Oil alert      |                             |       |                        | ●   | ●  | ●   | ●   | ●    |     |    |    |     | ●  | ●   |    |
| Lamp coil      |                             |       | ●                      |     |    |     |     |      |     |    |    |     |    |     |    |

| Specifications |                             | Model | GX120K1                |     |      |      |      |    |    |     |    |      |     |      |      |
|----------------|-----------------------------|-------|------------------------|-----|------|------|------|----|----|-----|----|------|-----|------|------|
|                |                             | Type  | Standard equipment (1) |     |      |      |      |    |    |     |    |      |     |      |      |
|                |                             |       | QAA2                   | QA2 | QA26 | QBU2 | QB26 | QD | QE | QEH | QH | QHQ4 | QH2 | QH26 | QJG2 |
| Crankshaft     | 18mm Ø Straight             |       |                        |     |      |      |      |    |    |     |    |      |     |      |      |
|                | 19mm Ø Straight             | ●     | ●                      | ●   | ●    | ●    | ●    | ●  | ●  | ●   | ●  | ●    | ●   | ●    | ●    |
|                | 20mm Ø Spline               |       |                        |     |      |      |      |    |    |     |    |      |     |      |      |
|                | 21mm Ø Spline               |       |                        |     |      |      |      |    |    |     |    |      |     |      |      |
|                | 19.8mm Ø Tapered            |       |                        |     |      |      |      |    |    |     |    |      |     |      |      |
|                | 1/5" Tapered                |       |                        |     |      |      |      |    |    |     |    |      |     |      |      |
|                | 3/4" Thread                 |       |                        |     |      |      |      |    |    |     |    |      |     |      |      |
|                | 5/8" Thread                 |       |                        |     |      |      |      |    |    |     |    |      |     |      |      |
|                | M14 Stepped thread          |       |                        |     |      |      |      |    |    |     |    |      |     |      |      |
|                | M16 Stepped thread          |       |                        |     |      |      |      |    |    |     |    |      |     |      |      |
|                | 1/2" Stepped thread         |       |                        |     |      |      |      |    |    |     |    |      |     |      |      |
| Reduction      | 1/2 Reduction               |       |                        |     |      |      |      |    |    |     |    |      |     |      |      |
|                | 1/2 Reduction (With clutch) |       |                        |     |      |      |      |    |    |     |    |      |     |      |      |
|                | 1/6 Reduction               |       |                        |     |      |      |      |    |    |     |    |      |     |      |      |
| Fuel tank      | ●                           | ●     | ●                      | ●   |      | ●    | ●    | ●  | ●  | ●   | ●  | ●    | ●   | ●    |      |
| Oil alert      |                             |       |                        |     |      |      |      |    |    |     |    |      |     | ●    |      |
| Lamp coil      |                             |       |                        |     | ●    |      |      |    |    |     |    |      | ●   |      |      |

1

| Specifications |                             | Model | GX120K1                |      |      |      |     |      |     |     |    |      |      |    |     |
|----------------|-----------------------------|-------|------------------------|------|------|------|-----|------|-----|-----|----|------|------|----|-----|
|                |                             | Type  | Standard equipment (1) |      |      |      |     |      |     |     |    |      |      |    |     |
|                |                             | QLL   | QM                     | QMA4 | QMA8 | QME4 | QMH | QMX2 | QPU | QSJ | QT | QTC2 | QWA4 | QX | QXC |
| Crankshaft     | 18mm Ø Straight             |       |                        |      |      |      |     |      |     |     |    |      |      |    |     |
|                | 19mm Ø Straight             | ●     | ●                      | ●    | ●    | ●    | ●   | ●    | ●   | ●   | ●  | ●    | ●    | ●  | ●   |
|                | 20mm Ø Spline               |       |                        |      |      |      |     |      |     |     |    |      |      |    |     |
|                | 21mm Ø Spline               |       |                        |      |      |      |     |      |     |     |    |      |      |    |     |
|                | 19.8mm Ø Tapered            |       |                        |      |      |      |     |      |     |     |    |      |      |    |     |
|                | 1/5" Tapered                |       |                        |      |      |      |     |      |     |     |    |      |      |    |     |
|                | 3/4" Thread                 |       |                        |      |      |      |     |      |     |     |    |      |      |    |     |
|                | 5/8" Thread                 |       |                        |      |      |      |     |      |     |     |    |      |      |    |     |
|                | M14 Stepped thread          |       |                        |      |      |      |     |      |     |     |    |      |      |    |     |
|                | M16 Stepped thread          |       |                        |      |      |      |     |      |     |     |    |      |      |    |     |
|                | 1/2" Stepped thread         |       |                        |      |      |      |     |      |     |     |    |      |      |    |     |
| Reduction      | 1/2 Reduction               |       |                        |      |      |      |     |      |     |     |    |      |      |    |     |
|                | 1/2 Reduction (With clutch) |       |                        |      |      |      |     |      |     |     |    |      |      |    |     |
|                | 1/6 Reduction               |       |                        |      |      |      |     |      |     |     |    |      |      |    |     |
| Fuel tank      |                             | ●     | ●                      | ●    | ●    | ●    | ●   | ●    | ●   | ●   | ●  | ●    | ●    | ●  | ●   |
| Oil alert      |                             | ●     |                        |      | ●    |      | ●   | ●    |     |     |    | ●    | ●    | ●  | ●   |
| Lamp coil      |                             |       |                        |      |      |      |     |      |     |     |    |      |      |    |     |

| Specifications |                             | Model | GX120K1                |     |      |     |     |      |     |     |      |     |     |    |     |
|----------------|-----------------------------|-------|------------------------|-----|------|-----|-----|------|-----|-----|------|-----|-----|----|-----|
|                |                             | Type  | Standard equipment (1) |     |      |     |     |      |     |     |      |     |     |    |     |
|                |                             |       | QXC9                   | QXG | QXG2 | QXQ | QXS | QXS2 | QXU | QX2 | QX26 | QX4 | QX7 | RD | RD4 |
| Crankshaft     | 18mm Ø Straight             |       |                        |     |      |     |     |      |     |     |      |     | ●   | ●  | ●   |
|                | 19mm Ø Straight             | ●     | ●                      | ●   | ●    | ●   | ●   | ●    | ●   | ●   | ●    | ●   |     |    |     |
|                | 20mm Ø Spline               |       |                        |     |      |     |     |      |     |     |      |     |     |    |     |
|                | 21mm Ø Spline               |       |                        |     |      |     |     |      |     |     |      |     |     |    |     |
|                | 19.8mm Ø Tapered            |       |                        |     |      |     |     |      |     |     |      |     |     |    |     |
|                | 1/5" Tapered                |       |                        |     |      |     |     |      |     |     |      |     |     |    |     |
|                | 3/4" Thread                 |       |                        |     |      |     |     |      |     |     |      |     |     |    |     |
|                | 5/8" Thread                 |       |                        |     |      |     |     |      |     |     |      |     |     |    |     |
|                | M14 Stepped thread          |       |                        |     |      |     |     |      |     |     |      |     |     |    |     |
|                | M16 Stepped thread          |       |                        |     |      |     |     |      |     |     |      |     |     |    |     |
|                | 1/2" Stepped thread         |       |                        |     |      |     |     |      |     |     |      |     |     |    |     |
| Reduction      | 1/2 Reduction               |       |                        |     |      |     |     |      |     |     |      |     |     |    |     |
|                | 1/2 Reduction (With clutch) |       |                        |     |      |     |     |      |     |     |      | ●   | ●   | ●  |     |
|                | 1/6 Reduction               |       |                        |     |      |     |     |      |     |     |      |     |     |    |     |
| Fuel tank      | ●                           | ●     | ●                      | ●   | ●    | ●   | ●   | ●    | ●   | ●   | ●    | ●   | ●   | ●  |     |
| Oil alert      | ●                           | ●     |                        |     | ●    | ●   | ●   | ●    | ●   | ●   | ●    |     |     |    |     |
| Lamp coil      |                             |       |                        |     | ●    | ●   |     |      |     |     |      |     |     |    |     |

| Specifications |                             | Model | GX120K1                |    |     |      |     |      |     |    |      |      |      |     |    |
|----------------|-----------------------------|-------|------------------------|----|-----|------|-----|------|-----|----|------|------|------|-----|----|
|                |                             | Type  | Standard equipment (1) |    |     |      |     |      |     |    |      |      |      |     |    |
|                |                             | RHC   | RHQ4                   | RX | RX4 | SAD2 | SAJ | SAJ4 | SCJ | SD | SDB1 | SDB3 | SD16 | SD4 | SE |
| Crankshaft     | 18mm Ø Straight             | ●     | ●                      | ●  | ●   | ●    | ●   | ●    | ●   | ●  | ●    | ●    | ●    | ●   | ●  |
|                | 19mm Ø Straight             |       |                        |    |     |      |     |      |     |    |      |      |      |     |    |
|                | 20mm Ø Spline               |       |                        |    |     |      |     |      |     |    |      |      |      |     |    |
|                | 21mm Ø Spline               |       |                        |    |     |      |     |      |     |    |      |      |      |     |    |
|                | 19.8mm Ø Tapered            |       |                        |    |     |      |     |      |     |    |      |      |      |     |    |
|                | 1/5" Tapered                |       |                        |    |     |      |     |      |     |    |      |      |      |     |    |
|                | 3/4" Thread                 |       |                        |    |     |      |     |      |     |    |      |      |      |     |    |
|                | 5/8" Thread                 |       |                        |    |     |      |     |      |     |    |      |      |      |     |    |
|                | M14 Stepped thread          |       |                        |    |     |      |     |      |     |    |      |      |      |     |    |
|                | M16 Stepped thread          |       |                        |    |     |      |     |      |     |    |      |      |      |     |    |
|                | 1/2" Stepped thread         |       |                        |    |     |      |     |      |     |    |      |      |      |     |    |
| Reduction      | 1/2 Reduction               |       |                        |    |     |      |     |      |     |    |      |      |      |     |    |
|                | 1/2 Reduction (With clutch) | ●     | ●                      | ●  | ●   |      |     |      |     |    |      |      |      |     |    |
|                | 1/6 Reduction               |       |                        |    |     |      |     |      |     |    |      |      |      |     |    |
| Fuel tank      |                             |       | ●                      | ●  | ●   | ●    | ●   | ●    | ●   | ●  | ●    | ●    | ●    | ●   | ●  |
| Oil alert      |                             |       |                        | ●  | ●   |      |     |      |     |    |      |      |      |     |    |
| Lamp coil      |                             | ●     |                        |    |     |      |     |      |     |    |      |      |      |     |    |

| Specifications |                             | Model | GX120K1                |    |      |    |     |      |      |      |     |     |      |     |      |      |
|----------------|-----------------------------|-------|------------------------|----|------|----|-----|------|------|------|-----|-----|------|-----|------|------|
|                |                             | Type  | Standard equipment (1) |    |      |    |     |      |      |      |     |     |      |     |      |      |
|                |                             |       | SG24                   | SH | SHQ4 | SJ | SJC | SJC1 | SJC5 | SJD2 | SKJ | SKR | SMA7 | SMJ | SMW2 | SM11 |
| Crankshaft     | 18mm Ø Straight             |       | ●                      | ●  | ●    | ●  | ●   | ●    | ●    | ●    | ●   | ●   | ●    | ●   | ●    | ●    |
|                | 19mm Ø Straight             |       |                        |    |      |    |     |      |      |      |     |     |      |     |      |      |
|                | 20mm Ø Spline               |       |                        |    |      |    |     |      |      |      |     |     |      |     |      |      |
|                | 21mm Ø Spline               |       |                        |    |      |    |     |      |      |      |     |     |      |     |      |      |
|                | 19.8mm Ø Tapered            |       |                        |    |      |    |     |      |      |      |     |     |      |     |      |      |
|                | 1/5" Tapered                |       |                        |    |      |    |     |      |      |      |     |     |      |     |      |      |
|                | 3/4" Thread                 |       |                        |    |      |    |     |      |      |      |     |     |      |     |      |      |
|                | 5/8" Thread                 |       |                        |    |      |    |     |      |      |      |     |     |      |     |      |      |
|                | M14 Stepped thread          |       |                        |    |      |    |     |      |      |      |     |     |      |     |      |      |
|                | M16 Stepped thread          |       |                        |    |      |    |     |      |      |      |     |     |      |     |      |      |
|                | 1/2" Stepped thread         |       |                        |    |      |    |     |      |      |      |     |     |      |     |      |      |
| Reduction      | 1/2 Reduction               |       |                        |    |      |    |     |      |      |      |     |     |      |     |      |      |
|                | 1/2 Reduction (With clutch) |       |                        |    |      |    |     |      |      |      |     |     |      |     |      |      |
|                | 1/6 Reduction               |       |                        |    |      |    |     |      |      |      |     |     |      |     |      |      |
| Fuel tank      |                             |       | ●                      | ●  | ●    | ●  | ●   | ●    | ●    | ●    | ●   | ●   | ●    | ●   | ●    | ●    |
| Oil alert      |                             |       | ●                      |    |      |    |     | ●    | ●    |      |     | ●   | ●    | ●   |      |      |
| Lamp coil      |                             |       |                        |    |      |    |     |      |      |      | ●   |     |      |     |      |      |



| Specifications |                             | Model | GX120K1                |      |    |      |      |      |      |      |     |     |      |      |     |    |
|----------------|-----------------------------|-------|------------------------|------|----|------|------|------|------|------|-----|-----|------|------|-----|----|
|                |                             | Type  | Standard equipment (1) |      |    |      |      |      |      |      |     |     |      |      |     |    |
|                |                             |       | SM12                   | SM14 | SN | SSK1 | SSK2 | SSK3 | SSX2 | SSX4 | STP | STS | SWX2 | SWX4 | SW2 | SX |
| Crankshaft     | 18mm Ø Straight             |       | ●                      | ●    | ●  | ●    | ●    | ●    | ●    | ●    | ●   | ●   | ●    | ●    | ●   | ●  |
|                | 19mm Ø Straight             |       |                        |      |    |      |      |      |      |      |     |     |      |      |     |    |
|                | 20mm Ø Spline               |       |                        |      |    |      |      |      |      |      |     |     |      |      |     |    |
|                | 21mm Ø Spline               |       |                        |      |    |      |      |      |      |      |     |     |      |      |     |    |
|                | 19.8mm Ø Tapered            |       |                        |      |    |      |      |      |      |      |     |     |      |      |     |    |
|                | 1/5" Tapered                |       |                        |      |    |      |      |      |      |      |     |     |      |      |     |    |
|                | 3/4" Thread                 |       |                        |      |    |      |      |      |      |      |     |     |      |      |     |    |
|                | 5/8" Thread                 |       |                        |      |    |      |      |      |      |      |     |     |      |      |     |    |
|                | M14 Stepped thread          |       |                        |      |    |      |      |      |      |      |     |     |      |      |     |    |
|                | M16 Stepped thread          |       |                        |      |    |      |      |      |      |      |     |     |      |      |     |    |
|                | 1/2" Stepped thread         |       |                        |      |    |      |      |      |      |      |     |     |      |      |     |    |
| Reduction      | 1/2 Reduction               |       |                        |      |    |      |      |      |      |      |     |     |      |      |     |    |
|                | 1/2 Reduction (With clutch) |       |                        |      |    |      |      |      |      |      |     |     |      |      |     |    |
|                | 1/6 Reduction               |       |                        |      |    |      |      |      |      |      |     |     |      |      |     |    |
| Fuel tank      |                             |       | ●                      | ●    | ●  | ●    | ●    | ●    | ●    | ●    | ●   | ●   | ●    | ●    | ●   | ●  |
| Oil alert      |                             |       | ●                      | ●    |    |      |      |      | ●    | ●    |     |     | ●    | ●    |     | ●  |
| Lamp coil      |                             |       |                        |      |    |      |      |      |      |      |     |     |      |      |     |    |

| Specifications |                             | GX120K1                |     |     |    |    |     |      |     |    |    |     |    |      |     |
|----------------|-----------------------------|------------------------|-----|-----|----|----|-----|------|-----|----|----|-----|----|------|-----|
|                |                             | Standard equipment (1) |     |     |    |    |     |      |     |    |    |     |    |      |     |
|                |                             | SXS4                   | SX4 | SX7 | TH | TX | TX2 | TX26 | TX4 | UH | UX | UXU | VA | VAX4 | VED |
| Crankshaft     | 18mm Ø Straight             | ●                      | ●   | ●   |    |    |     |      |     |    |    |     |    |      |     |
|                | 19mm Ø Straight             |                        |     |     |    |    |     |      |     |    |    |     |    |      |     |
|                | 20mm Ø Spline               |                        |     |     |    |    |     |      |     |    |    |     |    |      |     |
|                | 21mm Ø Spline               |                        |     |     |    |    |     |      |     |    |    |     |    |      |     |
|                | 19.8mm Ø Tapered            |                        |     |     |    |    |     |      |     |    |    | ●   | ●  |      |     |
|                | 1/5" Tapered                |                        |     |     |    |    |     |      |     |    |    |     |    | ●    |     |
|                | 3/4" Thread                 |                        |     |     |    |    |     |      |     |    |    |     |    |      |     |
|                | 5/8" Thread                 |                        |     |     | ●  | ●  | ●   | ●    | ●   |    |    |     |    |      |     |
|                | M14 Stepped thread          |                        |     |     |    |    |     |      |     |    |    |     |    |      |     |
|                | M16 Stepped thread          |                        |     |     |    |    |     |      |     |    |    |     |    |      |     |
|                | 1/2" Stepped thread         |                        |     |     |    |    |     |      |     | ●  | ●  | ●   |    |      |     |
| Reduction      | 1/2 Reduction               |                        |     |     |    |    |     |      |     |    |    |     |    |      |     |
|                | 1/2 Reduction (With clutch) |                        |     |     |    |    |     |      |     |    |    |     |    |      |     |
|                | 1/6 Reduction               |                        |     |     |    |    |     |      |     |    |    |     |    |      |     |
| Fuel tank      | ●                           | ●                      | ●   | ●   | ●  | ●  | ●   | ●    | ●   | ●  | ●  | ●   | ●  | ●    |     |
| Oil alert      | ●                           | ●                      | ●   |     | ●  | ●  | ●   | ●    |     | ●  | ●  | ●   | ●  | ●    |     |
| Lamp coil      |                             |                        |     |     |    |    |     |      |     |    |    |     |    |      |     |

| Specifications |                             | Model | GX120K1                |      |      |     |     |     |      |    |      |     |      |    |     |      |
|----------------|-----------------------------|-------|------------------------|------|------|-----|-----|-----|------|----|------|-----|------|----|-----|------|
|                |                             | Type  | Standard equipment (1) |      |      |     |     |     |      |    |      |     |      |    |     |      |
|                |                             |       | VED1                   | VED6 | VEE1 | VEK | VET | VEX | VEX7 | VH | VMS4 | VMT | VPR4 | VS | VSX | VSX1 |
| Crankshaft     | 18mm Ø Straight             |       |                        |      |      |     |     |     |      |    |      |     |      |    |     |      |
|                | 19mm Ø Straight             |       |                        |      |      |     |     |     |      |    |      |     |      |    |     |      |
|                | 20mm Ø Spline               |       |                        |      |      |     |     |     |      |    |      |     |      |    |     |      |
|                | 21mm Ø Spline               |       |                        |      |      |     |     |     |      |    |      |     |      |    |     |      |
|                | 19.8mm Ø Tapered            |       |                        |      |      |     |     | •   | •    | •  | •    |     | •    | •  | •   | •    |
|                | 1/5" Tapered                | •     | •                      | •    | •    | •   |     |     |      |    |      | •   |      |    |     |      |
|                | 3/4" Thread                 |       |                        |      |      |     |     |     |      |    |      |     |      |    |     |      |
|                | 5/8" Thread                 |       |                        |      |      |     |     |     |      |    |      |     |      |    |     |      |
|                | M14 Stepped thread          |       |                        |      |      |     |     |     |      |    |      |     |      |    |     |      |
|                | M16 Stepped thread          |       |                        |      |      |     |     |     |      |    |      |     |      |    |     |      |
|                | 1/2" Stepped thread         |       |                        |      |      |     |     |     |      |    |      |     |      |    |     |      |
| Reduction      | 1/2 Reduction               |       |                        |      |      |     |     |     |      |    |      |     |      |    |     |      |
|                | 1/2 Reduction (With clutch) |       |                        |      |      |     |     |     |      |    |      |     |      |    |     |      |
|                | 1/6 Reduction               |       |                        |      |      |     |     |     |      |    |      |     |      |    |     |      |
| Fuel tank      |                             | •     | •                      | •    | •    | •   | •   | •   | •    | •  | •    | •   |      | •  | •   | •    |
| Oil alert      |                             | •     | •                      | •    |      |     |     | •   | •    |    | •    | •   | •    |    | •   | •    |
| Lamp coil      |                             |       |                        |      |      |     |     |     |      |    |      |     |      |    |     |      |

| Specifications |                             | Model | GX120K1                |     |     |     |      |     |      |    |     |      |     |      |      |   |
|----------------|-----------------------------|-------|------------------------|-----|-----|-----|------|-----|------|----|-----|------|-----|------|------|---|
|                |                             | Type  | Standard equipment (1) |     |     |     |      |     |      |    |     |      |     |      |      |   |
|                |                             | VS1   | VX                     | VXU | VX4 | VX7 | WDA6 | WDJ | WD12 | WJ | WJP | WJP1 | WJ1 | WKD6 | WKT2 |   |
| Crankshaft     | 18mm Ø Straight             |       |                        |     |     |     |      |     |      |    |     |      |     |      |      |   |
|                | 19mm Ø Straight             |       |                        |     |     |     |      |     |      |    |     |      |     |      |      |   |
|                | 20mm Ø Spline               |       |                        |     |     |     |      |     |      |    |     |      |     |      |      |   |
|                | 21mm Ø Spline               |       |                        |     |     |     |      |     |      |    |     |      |     |      |      |   |
|                | 19.8mm Ø Tapered            | ●     | ●                      | ●   | ●   | ●   |      |     |      |    |     |      |     |      |      |   |
|                | 1/5" Tapered                |       |                        |     |     |     |      |     |      |    |     |      |     |      |      |   |
|                | 3/4" Thread                 |       |                        |     |     |     |      |     |      |    |     |      |     |      |      |   |
|                | 5/8" Thread                 |       |                        |     |     |     |      |     |      |    |     |      |     |      |      |   |
|                | M14 Stepped thread          |       |                        |     |     |     | ●    | ●   | ●    | ●  |     |      |     | ●    | ●    | ● |
|                | M16 Stepped thread          |       |                        |     |     |     |      |     |      |    | ●   | ●    |     |      |      |   |
|                | 1/2" Stepped thread         |       |                        |     |     |     |      |     |      |    |     |      |     |      |      |   |
| Reduction      | 1/2 Reduction               |       |                        |     |     |     |      |     |      |    |     |      |     |      |      |   |
|                | 1/2 Reduction (With clutch) |       |                        |     |     |     |      |     |      |    |     |      |     |      |      |   |
|                | 1/6 Reduction               |       |                        |     |     |     |      |     |      |    |     |      |     |      |      |   |
| Fuel tank      |                             | ●     | ●                      | ●   | ●   | ●   | ●    | ●   | ●    | ●  | ●   | ●    | ●   | ●    | ●    |   |
| Oil alert      |                             |       | ●                      | ●   | ●   | ●   |      |     |      |    |     |      |     | ●    | ●    |   |
| Lamp coil      |                             |       |                        |     |     |     |      |     |      |    |     |      |     |      |      |   |

| Specifications |                             | Model | GX120K1                |      |      |      |      |     |                         |     |     |     |     |     |     |    |
|----------------|-----------------------------|-------|------------------------|------|------|------|------|-----|-------------------------|-----|-----|-----|-----|-----|-----|----|
|                |                             | Type  | Standard equipment (1) |      |      |      |      |     | Selective equipment (2) |     |     |     |     |     |     |    |
|                |                             |       | WKT4                   | WKT6 | WMA3 | WME2 | WME4 | WM1 | H1                      | L1  | Q1  | R1  | S1  | U1  | V1  | W1 |
| Crankshaft     | 18mm Ø Straight             |       |                        |      |      |      |      |     |                         |     | ●   | ●   |     |     |     |    |
|                | 19mm Ø Straight             |       |                        |      |      |      |      |     |                         | ●   |     |     |     |     |     |    |
|                | 20mm Ø Spline               |       |                        |      |      |      |      |     | ●                       |     |     |     |     |     |     |    |
|                | 21mm Ø Spline               |       |                        |      |      |      |      | ●   |                         |     |     |     |     |     |     |    |
|                | 19.8mm Ø Tapered            |       |                        |      |      |      |      |     |                         |     |     |     |     | ●   |     |    |
|                | 1/5" Tapered                |       |                        |      |      |      |      |     |                         |     |     |     |     |     |     |    |
|                | 3/4" Thread                 |       |                        |      |      |      |      |     |                         |     |     |     |     |     |     |    |
|                | 5/8" Thread                 |       |                        |      |      |      |      |     |                         |     |     |     |     |     |     |    |
|                | M14 Stepped thread          | ●     | ●                      | ●    |      |      | ●    |     |                         |     |     |     |     |     |     | ●  |
|                | M16 Stepped thread          |       |                        |      | ●    | ●    |      |     |                         |     |     |     |     |     |     |    |
|                | 1/2" Stepped thread         |       |                        |      |      |      |      |     |                         |     |     |     |     | ●   |     |    |
| Reduction      | 1/2 Reduction               |       |                        |      |      |      |      |     | ●                       |     |     |     |     |     |     |    |
|                | 1/2 Reduction (With clutch) |       |                        |      |      |      |      |     |                         |     | ●   |     |     |     |     |    |
|                | 1/6 Reduction               |       |                        |      |      |      |      | ●   |                         |     |     |     |     |     |     |    |
| Fuel tank      | ●                           | ●     | ●                      | ●    | ●    | ●    | (●)  | (●) | (●)                     | (●) | (●) | (●) | (●) | (●) | (●) |    |
| Oil alert      | ●                           | ●     |                        | ●    |      |      | (●)  | (●) | (●)                     | (●) | (●) | (●) | (●) | (●) | (●) |    |
| Lamp coil      |                             |       |                        |      |      |      | (●)  | (●) | (●)                     | (●) | (●) | (●) | (●) | (●) | (●) |    |

| Specifications |                             | Model | GX120K1          |     |      |                  |
|----------------|-----------------------------|-------|------------------|-----|------|------------------|
|                |                             | Type  | Indonesia-KD (3) |     |      | Venezuela-KD (4) |
|                |                             |       | QIH1             | UIH | WIH1 | THVZ             |
| Crankshaft     | 18mm Ø Straight             |       |                  |     |      |                  |
|                | 19mm Ø Straight             | ●     |                  |     |      |                  |
|                | 20mm Ø Spline               |       |                  |     |      |                  |
|                | 21mm Ø Spline               |       |                  |     |      |                  |
|                | 19.8mm Ø Tapered            |       |                  |     |      |                  |
|                | 1/5" Tapered                |       |                  |     |      |                  |
|                | 3/4" Thread                 |       |                  |     |      |                  |
|                | 5/8" Thread                 |       |                  |     | ●    |                  |
|                | M14 Stepped thread          |       |                  |     |      |                  |
|                | M16 Stepped thread          |       |                  | ●   |      |                  |
|                | 1/2" Stepped thread         |       | ●                |     |      |                  |
| Reduction      | 1/2 Reduction               |       |                  |     |      |                  |
|                | 1/2 Reduction (With clutch) |       |                  |     |      |                  |
|                | 1/6 Reduction               |       |                  |     |      |                  |
| Fuel tank      |                             | ●     | ●                | ●   | ●    |                  |
| Oil alert      |                             |       |                  |     |      |                  |
| Lamp coil      |                             |       |                  |     |      |                  |

## Fuel hose, general purpose hoses and vinyl hose

- The standard part fuel hose, general purpose hose and vinyl hose may be substituted by the coiled bulk part.
- When ordering the standard part fuel hose, general purpose hose and vinyl hose use the bulk part number written in the parts catalog in brackets ( ) underneath the part name.
- When exchanging the hose, cut and use at the specified length as mentioned in the part name.  
(For the method of cutting the bulk part, and method of filling out orders etc., please refer to the instructions issued with the bulk part.)

### Bulk part number of fuel hose, general purpose hose and vinyl hose.

Example: 9 5 0 0 1 - 7 5 0 0 1 - 5 0 M

**Bulk part number:**  
Refers to the bulk part.

**Marking code (fuel hose and general purpose hose)**

**Change code (Vinyl hose)**

Indicates number mark or change sequence, however, the code for the bulk part must be strictly 0 (zero).

**Types of code:**

- |             |  |                |  |              |   |
|-------------|--|----------------|--|--------------|---|
| • Fuel hose | 2: Red outside braid<br>(3 mm inside dia. only)        | • General hose | 1: Ash gray<br>2: Ash gray<br>3: Black<br>5: Black | • Vinyl hose | 1: Clear<br>2: Black<br>3: Light red<br>6: Light red<br>7: Pale black |
|             | 5: Black inside braid                                  |                |  |              |   |
|             | 3: Red (3 mm inside dia. only)                         |                |  |              |   |
|             | 4: Ash gray with red stripe<br>(3 mm inside dia. only) |                |  |              |   |
|             | 6: Black   |                |  |              |   |

**Lengths:**

- 001: 1 m (standard)  
003: 3 m  
008: 8 m } Application or specification of some parts is not settled.

**I.D code: (fuel hose and general purpose hose)**

- |            |                    |                    |                             |                             |
|------------|--------------------|--------------------|-----------------------------|-----------------------------|
| 30: 3.0 mm | 50: 5.0 mm         | 70: 7.0 mm         | 11: 11 mm                   | 12: 12 (outside dia. 17) mm |
| 35: 3.5 mm | 55: 5.3 mm, 5.5 mm | 75: 7.3 mm, 7.5 mm | 91: 12 (outside dia. 15) mm | 14: 14 mm                   |
| 45: 4.5 mm | 65: 6.5 mm         | 80: 8.0 mm         | 92: 12 (outside dia. 16) mm | 17: 17 mm                   |

**ID./OD. code: (vinyl hose)**

- |                         |                          |                           |                           |                           |
|-------------------------|--------------------------|---------------------------|---------------------------|---------------------------|
| 01: ID. 2.9, OD. 6.8 mm | 12: ID. 5.0, OD. 7.0 mm  | 21: ID. 8.0, OD. 9.0 mm   | 37: ID. 11.0, OD. 15.0 mm | 50: ID. 16.0, OD. 19.0 mm |
| 03: ID. 3.0, OD. 6.0 mm | 10: ID. 5.0, OD. 8.0 mm  | 23: ID. 8.0, OD. 12.0 mm  | 38: ID. 12.0, OD. 13.0 mm | 55: ID. 17.5, OD. 20.5 mm |
| 05: ID. 3.5, OD. 6.5 mm | 11: ID. 5.0, OD. 9.0 mm  | 25: ID. 9.0, OD. 11.0 mm  | 39: ID. 12.0, OD. 14.0 mm | 60: ID. 22.0, OD. 27.0 mm |
| 07: ID. 4.0, OD. 7.0 mm | 14: ID. 6.0, OD. 9.0 mm  | 27: ID. 9.0, OD. 13.0 mm  | 40: ID. 12.0, OD. 16.0 mm |                           |
| 08: ID. 4.5, OD. 6.5 mm | 17: ID. 7.0, OD. 9.0 mm  | 33: ID. 10.0, OD. 14.0 mm | 43: ID. 13.0, OD. 15.0 mm |                           |
| 09: ID. 4.5, OD. 8.0 mm | 19: ID. 7.0, OD. 11.0 mm | 36: ID. 11.0, OD. 13.0 mm | 45: ID. 14.0, OD. 18.0 mm |                           |

**Hose type:**

- 1: Fuel hose  
3: Vinyl hose  
5: General hose

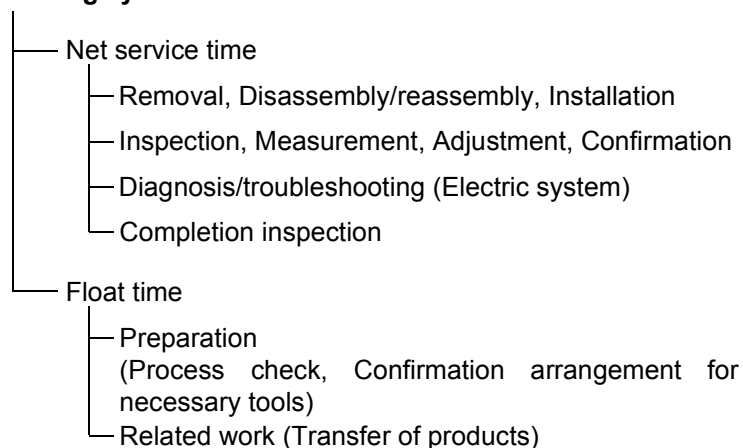
⊙ **CAUTION: It is DANGEROUS to confuse the fuel hose with the general purpose hose or vinyl hose.**

Never use a general purpose hose or vinyl hose in place of a fuel hose or vice versa. Always use the correct bulk part in the parts catalogue, according to the service manual or the instructions issued with the bulk part.

## FLAT RATE SERVICE TIME

Flat rate service time (FRT) means the standard time required to service a product, which is listed in this manual to help the dealers control the actual working process and calculate the service charge by using it as a guide.

### FRT setting system



\* Float time is set by multiplying the net service time by a given coefficient.

### Editorial style

The service items shown in the text are listed with the exchange work time for the repair sales parts as the subject. Other representative service items not using repair parts (removal/installation, adjustment, inspection/measuring, and other work) are listed collectively in the list in the preface, classified according to the work.

### FRT setting standard

- Decimal system (in unit of 0.1) is adopted to set FRT as it is convenient to calculate the wage.  
Example: (0.1) → 6 minutes, (0.2) → 12 minutes  
[Labor cost per hour] x [FRT] = [Wage]
- FRT is set with a hand tool.
- Service items and FRT can be subject to change depending on development of tools and service equipment and improvement in service procedure.



**Work procedure**

- As the work procedure is set with the work time according to the method in the separate Service Manual, refer to this Manual as required.
- Work methods permitting servicing in the shortest time still permitting assurance of safe work and product warranty are used for the setting of service items not listed in the Service Manual.
- Work basically is to be performed by one person, and when two or more people are required, setting is done as the total time for the number of people.
- The set value for the technological level of the workers uses a person with three years of experience in the repair of Honda products as the standard.
- Special tools and service equipment used to set FRT are those specified or recommended in Service Manual.

**Service item whose FRT is not presented**

- Accessories and service parts that are not listed to use in this manual.
  - Locations with little aging deterioration or breakage during normal use.
  - Service work that can be finished by one touch.
  - Service work that is seldom done (i.e. extremely small causes of trouble and service frequency).
  - Products and parts whose location for installation differs according to its status of use and application.
- \* When FRT is not presented, please calculate wages based on appropriate actual work time.

**Operation not included of FRT**

- Oil and coolant water draining, Waiting time for warming up operation and etc..
- Additional operation that involves removal/installation of standard exterior equipment.
- Indirect time spent for service by visiting the customer, trade-in, and delivery.
- Indirect time required for ordering and delivery of parts.
- Cost for grease, adhesive agent, etc. used for service work.

**Explanation of FRT by using an example  
(The example may differ from the actual presented items)**

| Ref. No. | L.O.N.  | (Relative ref. Number)<br>Description  | F.R.T. |
|----------|---------|--|--------|
| ①        | 1111L1  | (1, 3, 4, 7) VALVE, INTAKE ..... 4.1   | ②      |
| ③        | 1111L1A | • NOTE: OHV type<br>• Includes: Engine removal and installation<br>One head (intake all) add ..... 1.4 | ⑦<br>⑤ |

- ① Reference No. of the illustration of part that shows location of the replacement work.
- ② FRT is an abbreviation of Flat Rate Time indicating the standard service time required for the replacement.
- ③ LON is an abbreviation of Labor Operation Number, and it is a classification of the service items by the work unit code.

The same operation code is used regardless of the models.

Standard operation is indicated with 6 digits code, and additional operation is indicated with 7 digits code.

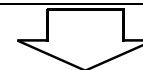
- ④ Indicating the intake valve replacement and FRT4.1.
- ⑤ Indicating FRT1.4 that will be added when additional operation (whole intake side of one cylinder head) is done in association with intake valve replacement.

- ⑥ Indicating work condition or application condition of the service item.
- ⑦ Indicating work contents that are included in the service item.
- ⑧ Indicating a reference No. whose operation and time are the same as FRT4.1 for the intake valve.

(The application range is limited to the service items without an LON setting within a same block.)

**How to refer to the service item by using the sample  
(intake valve replacement)**

Open to the page of the block where the intake valve's spare part illustration is shown.



Look for the intake valve illustration, and refer to the service item and FRT that agree with the reference No.

Indication mark for the listing of service items that continues to the following page

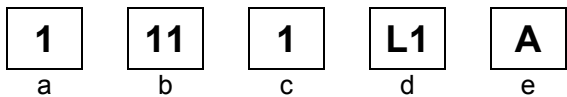
| Ref. No. | L.O.N. | (Relative ref. Number)<br>Description | F.R.T. |
|----------|--------|---------------------------------------|--------|
| 2        | 1111L1 | VALVE, INTAKE .....                   | 4.1    |
|          | .      | .                                     | .      |
|          | .      | .                                     | .      |

+  
Mark indicated at the last line.

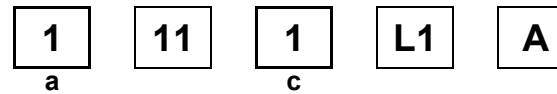
Indication of the block with no setting of FRT

| Ref. No.             | L.O.N. | (Relative ref. Number)<br>Description | F.R.T. |
|----------------------|--------|---------------------------------------|--------|
| NO INFORMATION ..... |        |                                       |        |

• LON code system



- a) Category code..... Engine
- b) Location/function code ..... Engine upper
- c) Operation code..... Replace
- d) Operation sequence number (Unit code can be shown with alphabet)  
..... Intake valve  
(No regular rule of code)
- e) Additional code ..... One head (intake all)  
(No regular rule of code)



a) Category codes and classification

| Code | Category       |
|------|----------------|
| 1    | Engine         |
| 2    | Power drive    |
| 3    | Fuel & Exhaust |
| 4    | Frame & Body   |
| 5    | Steering       |
| 6    | Electrical     |
| 7    | Axle & Brake   |
| 8    | Control system |
| 9    | -              |
| 0    | Attachments    |

c) Operation codes and classification

| Code | Operation category                    |
|------|---------------------------------------|
| 1    | Replace, Removal/Installation, Change |
| 2    | Overhaul                              |
| 3    | Adjust, Rotation                      |
| 4    | (Paint-related work: Top-coat)        |
| 5    | Test, Inspect/diagnose, Measurement   |
| 6    | (Overhaul-related work: Rebore)       |
| 7    | (Overhaul-related work: Reseal)       |
| 8    | (Resurface)                           |
| 9    | (Paint-related work: Refinish)        |
| 0    | Repair, Cleaning, Air bleeding        |

Major service items without using spare parts

(1) Removal/Installation, (2) Adjustment, (3) Inspection/  
Measurement, (4) Overhaul, (5) Other work

E: Engine, T: Transmission, D: Drive system, B: Body and related  
parts

### (2) Adjustment

|   | LON    | DESCRIPTION  | FRT |
|---|--------|--|-----|
| E | 1113A1 | <b>VALVE CLEARANCE-ADJUSTMENT</b><br>NOTE: For 1 product | 0.3 |
|   | 1163A0 | <b>CONTROL, THROTTLE/GOVERNOR-<br/>ADJUSTMENT</b>        | 0.2 |
|   | 3113A2 | <b>CARBURETOR IDLE-ADJUSTMENT</b>                        | 0.2 |

### (3) Inspection, Measurement, Cleaning

|   | LON    | DESCRIPTION  | FRT |
|---|--------|--|-----|
| E | 1105A0 | <b>ENGINE OIL-INSPECTION</b>   | 0.1 |
|   | 3120A0 | <b>AIR CLEANER-CLEANING</b><br>INCLUDES: Air cleaner-inspection                          | 0.2 |
|   | 3130A0 | <b>SPARK ARRESTER-CLEANING</b>   | 0.2 |
|   | 6140A0 | <b>SPARK PLUG-CLEANING</b><br>INCLUDES: Spark plug gap-adjustment<br>NOTE: For 1 product | 0.2 |
|   | 6145A0 | <b>SPARK-TEST</b><br>NOTE: All cylinders   | 0.2 |

### (4) Overhaul

Work condition: The required Measurements, inspections, adjustments, and cleaning/washing of each part are performed, including the main body removal/installation work and the replacement of defective parts.

|   | LON    | DESCRIPTION  | FRT |
|---|--------|--|-----|
| E | 3112A0 | <b>CARBURETOR-OVERHAUL</b><br>INCLUDES: All necessary adjustment | 0.6 |

### (5) Other work

|   | LON    | DESCRIPTION   | FRT |
|---|--------|---|-----|
| E | 1101E1 | <b>ENGINE OIL-CHANGE</b><br>INCLUDES: Engine oil-inspection | 0.1 |

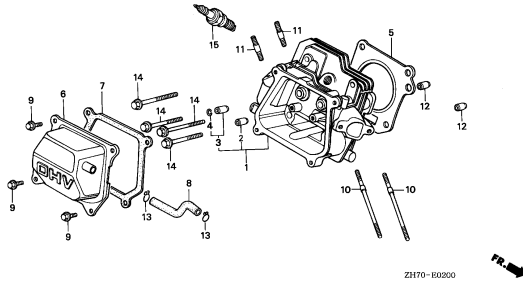
# ENGINE GROUP

D 2

E-2

CYLINDER HEAD

E 1

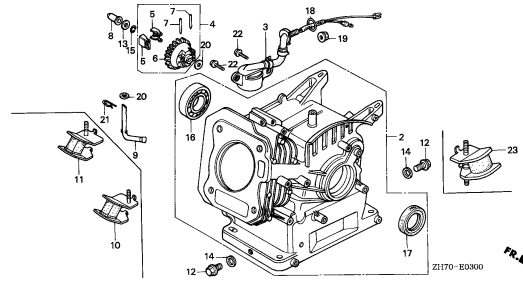


Z1170-E0200

E-3

CYLINDER BARREL

E10

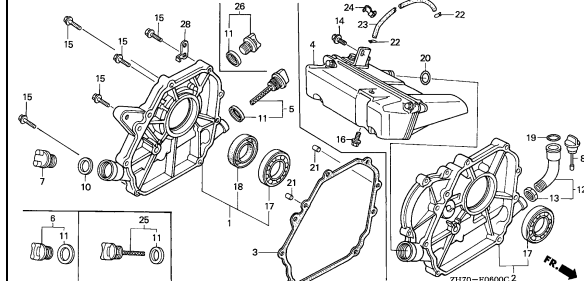


Z1170-E0300

E-6

CRANKCASE COVER

E14

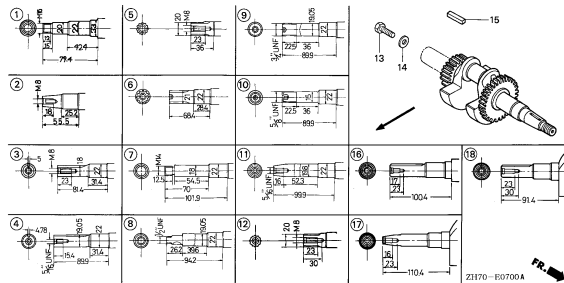


Z1170-E0600C 2

E-7

CRANKSHAFT

F 4

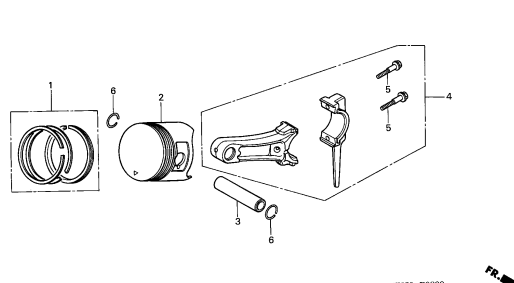


Z1170-E0700A

E-8

PISTON/CONNECTING ROD

F 6

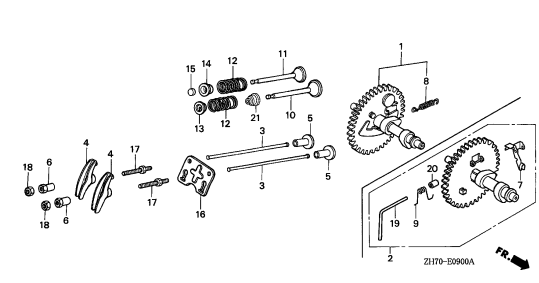


Z1170-E0800

E-9

CAMSHAFT

G 2

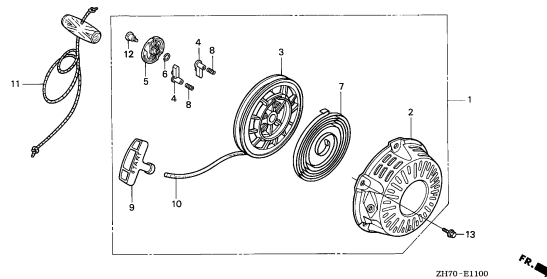


Z1170-E0900A

E-11

RECOIL STARTER(1)

G 7

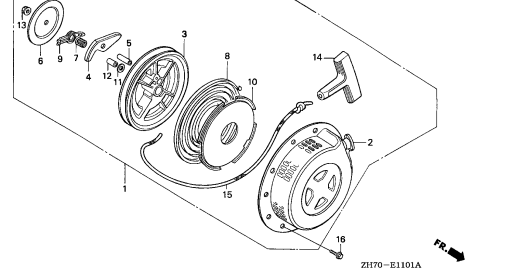


Z1170-E1100

E-11-1

RECOIL STARTER(2)

G15

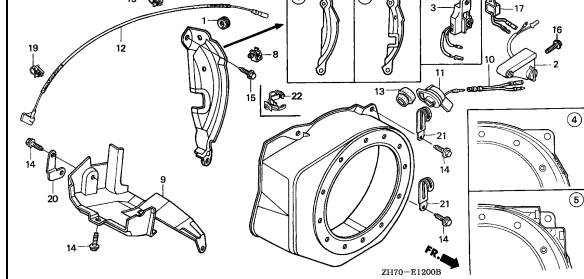


Z1170-E1101A

E-12

FAN COVER

G16



Z1170-E1200B

2

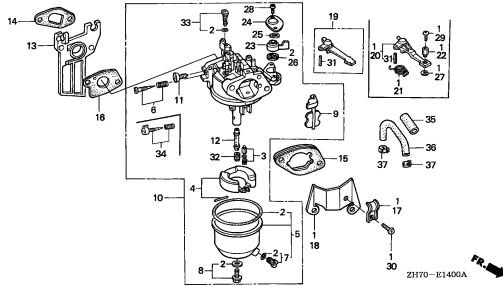
# ENGINE GROUP

**D 3**

**E-14**

**CARBURETOR(1)**

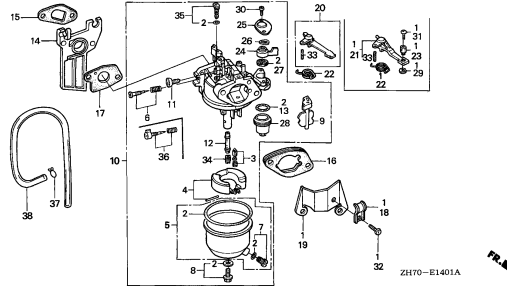
**H 6**



**E-14-1**

**CARBURETOR(2)**

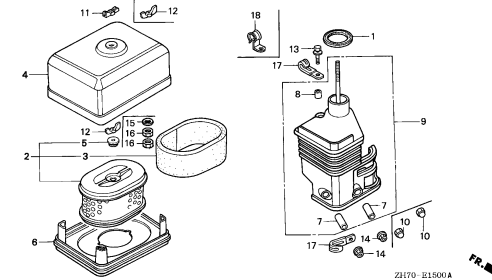
**H11**



**E-15**

**AIR CLEANER(1)**

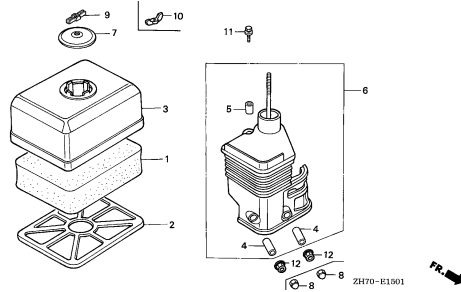
**I11**



**E-15-1**

**AIR CLEANER(2)**

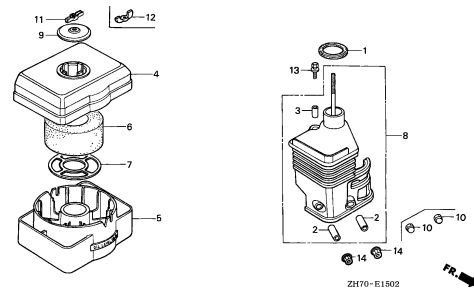
**J 2**



**E-15-2**

**AIR CLEANER(3)**

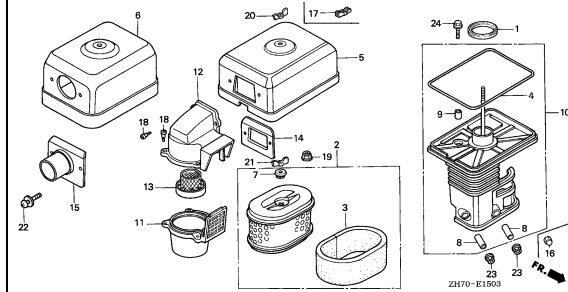
**J 4**



**E-15-3**

**AIR CLEANER(4)**

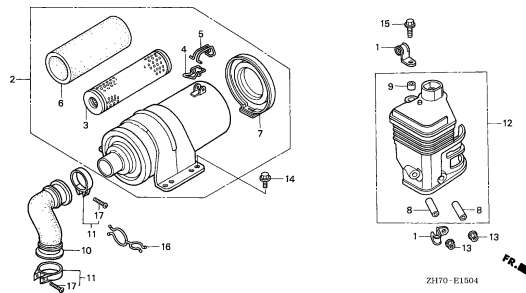
**J 6**



**E-15-4**

**AIR CLEANER(5)**

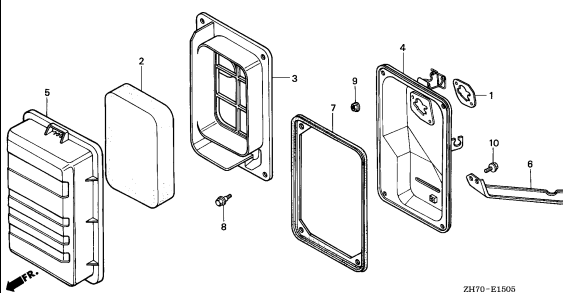
**J 8**



**E-15-5**

**AIR CLEANER(6)**

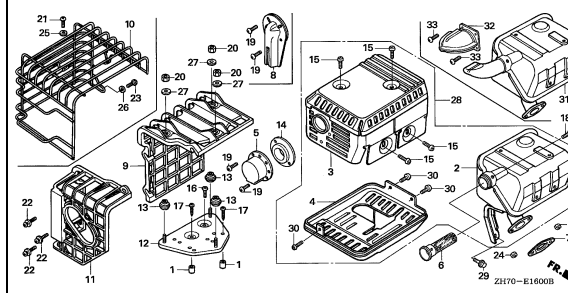
**J 9**



**E-16**

**MUFFLER(1)**

**J10**



**2**

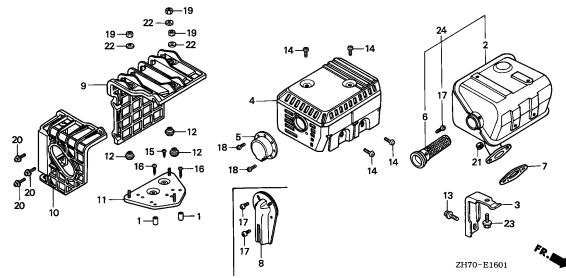
# ENGINE GROUP

**D 4**

**E-16-1**

MUFFLER(2)

**J16**

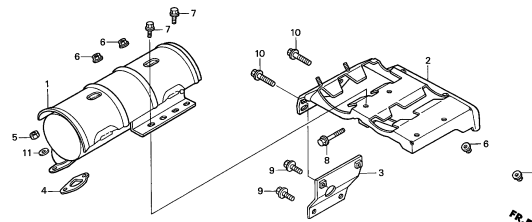


ZH170-E1601

**E-16-2**

MUFFLER(3)

**K 2**

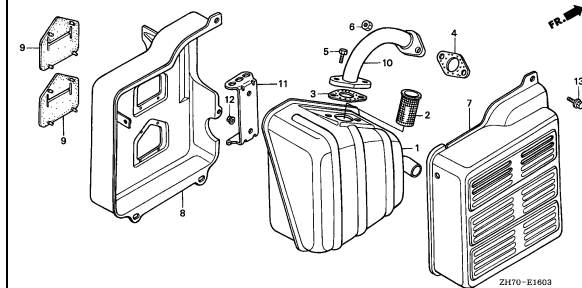


ZH170-E1602A

**E-16-3**

MUFFLER(4)

**K 3**

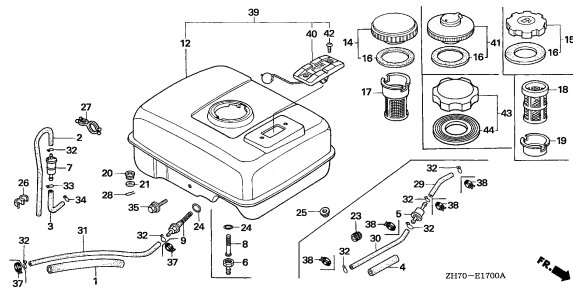


ZH170-E1603

**E-17**

FUEL TANK(1)

**K 4**

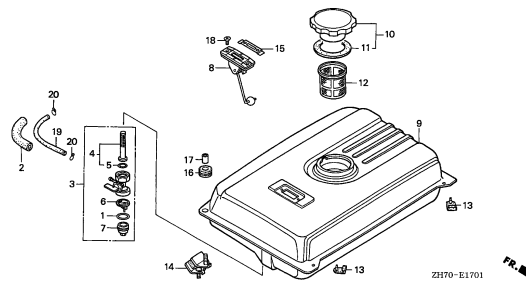


ZH170-E1700A

**E-17-1**

FUEL TANK(2)

**K12**

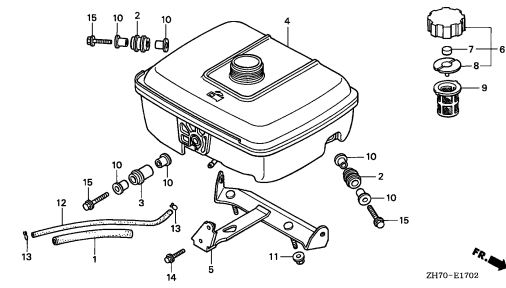


ZH170-E1701

**E-17-2**

FUEL TANK(3)

**K13**

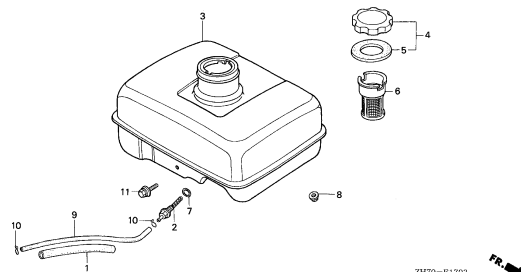


ZH170-E1702

**E-17-3**

FUEL TANK(4)

**K14**

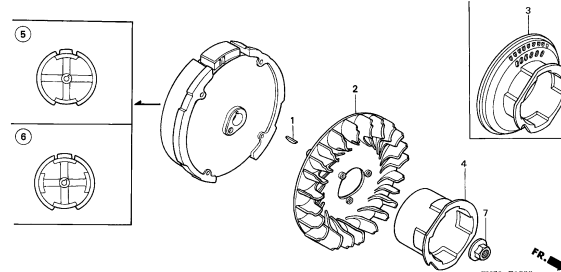


ZH170-E1703

**E-19**

FLYWHEEL

**K15**

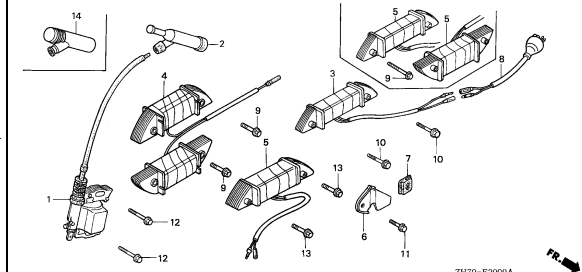


ZH170-E1900

**E-20**

IGNITION COIL

**L 2**



ZH170-E2000A

**2**

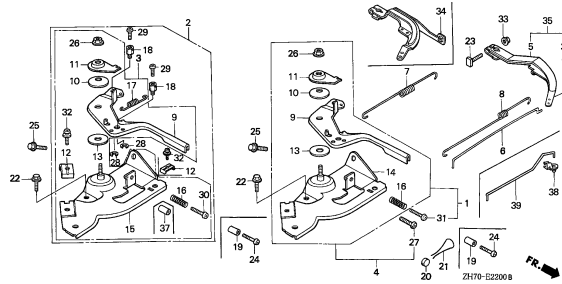
# ENGINE GROUP

**D 5**

**E-22**

CONTROL(1)

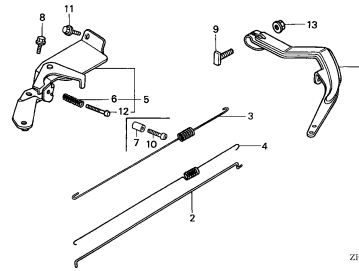
**L 5**



**E-22-1**

CONTROL(2)

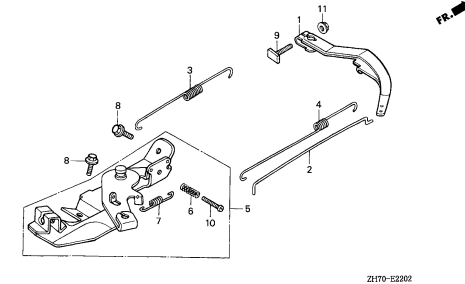
**L16**



**E-22-2**

CONTROL(3)

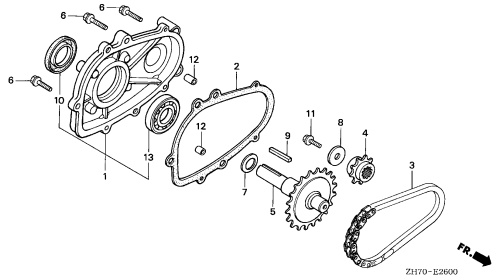
**M 2**



**E-26**

REDUCTION(1/2)

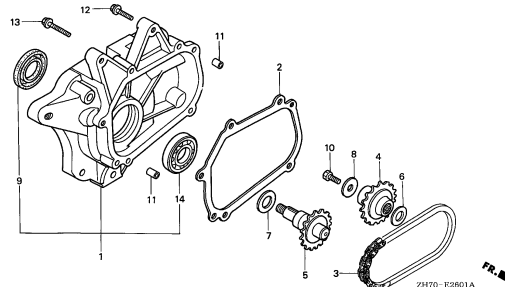
**M 3**



**E-26-1**

REDUCTION(1/2)

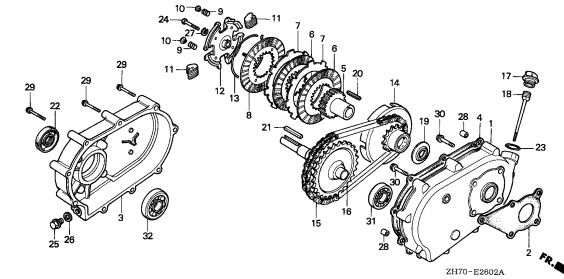
**M 5**



**E-26-2**

REDUCTION(1/2)(WITH CLUTCH)

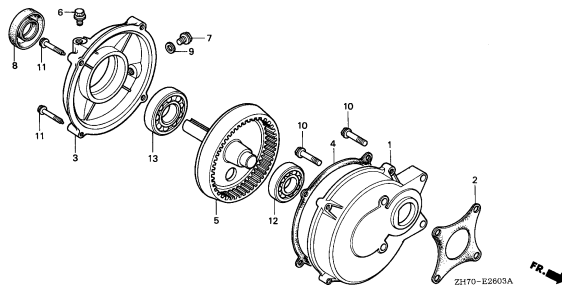
**M 6**



**E-26-3**

REDUCTION(1/6)

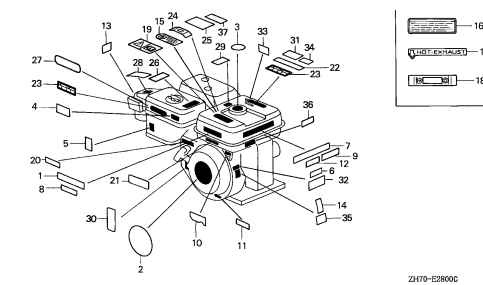
**M 8**



**E-28**

LABEL

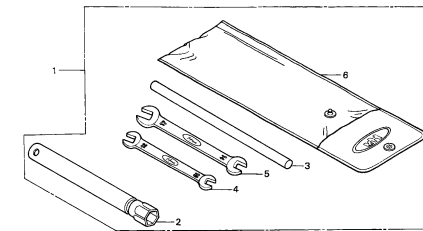
**M 9**



**E-29**

TOOL(1)

**M16**



**2**



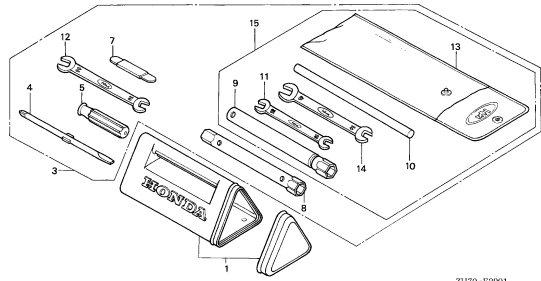
# ENGINE GROUP

**D 6**

**E-29-1**

TOOL(2)

**N 1**

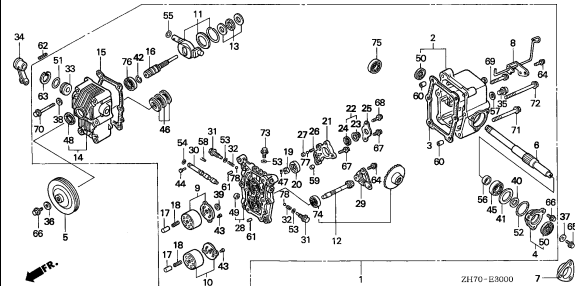


ZH70-E2901

**E-30**

TRANSMISSION

**N 3**

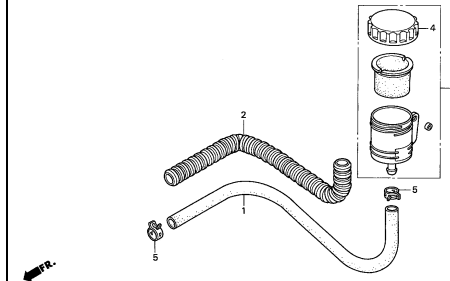


ZH70-E3000 7

**E-31**

OIL TANK

**N 6**

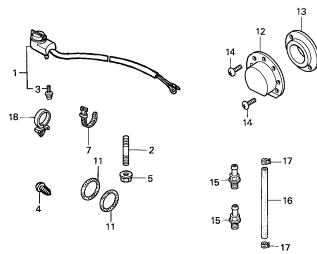


ZH70-E3100

**E-40**

ENGINE STOP SWITCH(OTHER PARTS)

**N 7**

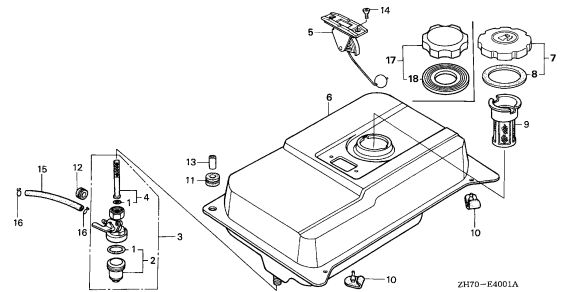


ZH70-E40008

**E-40-1**

FUEL TANK(OTHER PARTS)

**N 8**

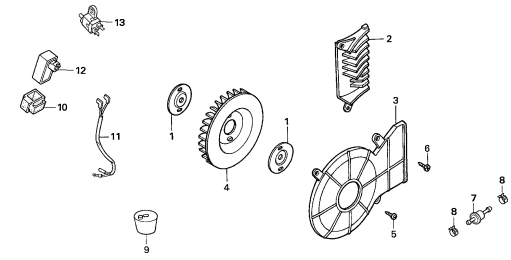


ZH70-E4001A

**E-40-2**

COOLING FAN(OTHER PARTS)

**N 9**

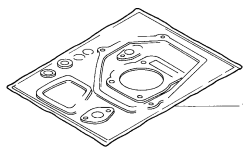


ZH70-E4002A

**EOP-1**

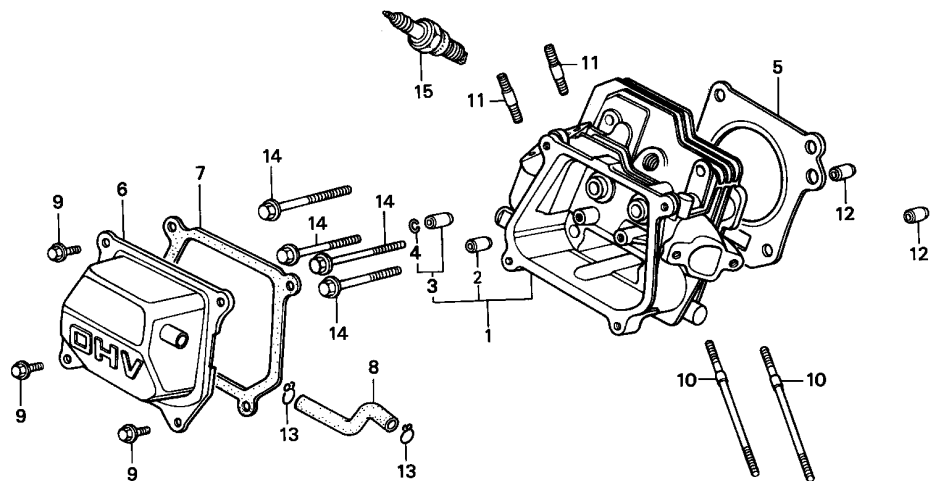
GASKET KIT

**N10**



HEHO-X0003

**2**

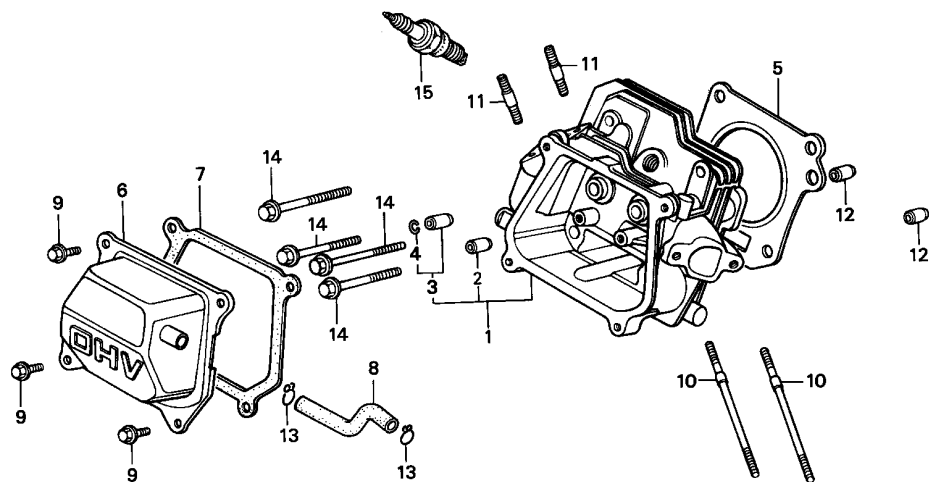


ZH70-E0200

| Ref. No. | L.O.N.  | (Relative ref. Number) Description                    | F.R.T. |
|----------|---------|---|--------|
| 1        | 1111N3  | HEAD, CYLINDER .....                                  | 0.9    |
| 2        | 1111E9  | GUIDE, INTAKE VALVE .....                             | 0.8    |
|          | 1111E9E | .With intake and exhaust all add .....                | 0.2    |
| 3        | 1111E8  | GUIDE, EXHAUST VALVE .....                            | 0.8    |
|          | 1111E8E | .With intake and exhaust all add .....                | 0.2    |
| 5        | 1111N4  | GASKET, CYLINDER HEAD .....                           | 0.5    |
| 6        | 1111D5  | COVER, CYLINDER HEAD AND/OR PACKING, HEAD COVER ..... | 0.1    |
| 8        | 1111K5  | TUBE, BREATHER .....                                  | 0.1    |
| 10       | 1111A5  | BOLT, STUD :INTAKE .....                              | 0.2    |
|          | 1111A5A | .For one add .....                                    | 0.1    |
| 11       | 1111A6  | BOLT, STUD :EXHAUST .....                             | 0.2    |
|          | 1111A6A | .For one add .....                                    | 0.1    |
| 15       | 6141C1  | PLUG, SPARK .....                                     | 0.1    |

| Ref. No. | Part No.      | Description                   | Reqd. QTY |     |     |     | Serial No.  | Parts catalogue code |
|----------|---------------|-------------------------------|-----------|-----|-----|-----|---|----------------------|
|          |               |                               | (1)       | (2) | (3) | (4) |   |                      |
| 1        | 12210-ZH7-000 | HEAD COMP., CYLINDER .....    | 1         | 1   | -   | -   | EN,ET,ETX,HH,HXQ,LDB1,LDB3,LD4,LE,LJT,LTA,LW2,PM2,QAA2,QA26,QBU2,QE,QH2,QJW1,QMH,QPU,QSJ,QXC,QXG,QXQ,QXS,RH,SAD2,SDB1,SSK1,SSK2,SW2,U1,VA,VAX4,VH,VS,VS1,V1,WDJ,WJ1,W1  |                      |
|          | 12210-ZH7-010 | .....                         | -         | -   | -   | 1   | LEH4,LX26,PH,PM,QEH,QTC2,QXG2,SDB3,SKJ,SN,TH,UH,UIH,UX,WJP1   |                      |
|          | 12210-ZH7-405 | .....                         | 1         | 1   | 1   | -   | AR,DKR,DS,HHQ4,HTF2,HT2,HX,HXU,HX2,HX26,HX4,H1,KR,KRA4,KRF4,KRS4,KRT,KRT4,KRT6,LAJ4,LD,LH,LHQ4,LJ,LJC,LJD2,LJS,LSJ,LSJ4,LTJ,LTK1,LTR,LTS,LX,LXU,LX2,LX4,L1,PX,PX2,QA,QA2,QB26,QD,QH,QHQ4,QH26,QIH1,QJG2,QLL,QM,QMA4,QMA8,QME4,QMX2,QT,QWA4,QX,QXC9,QXS2,QXU,QX2,QX26,QX4,QX7,Q1,RD,RD4,RHC,RHQ4,RX,RX4,R1,SAJ,SAJ4,SCJ,SD,SD16,SD4,SE,SG24,SH,SHQ4,SJ,SJC,SJC1,SJC5,SJD2,SKR,SMA7,SMJ,SMW2,SM11,SM12,SM14,SSK3,SSX2,SSX4,STP,STS,SWX2,SWX4,SX,SXS4,SX4,SX7,S1,TX,TX2,TX26,TX4,UXU,VED,VED1,VED6,VEE1,VEK,VET,VEX,VEX7,VMS4,VMT,VPR4,VSX,VSX1,VX,VXU,VX4,VX7,WDA6,WD12,WI1,WJ,WJP,WKD6,WKT2,WKT4,WKT6,WMA3,WME2,WME4,WM1 |                      |
| 2        | 12204-ZE1-305 | GUIDE, IN. VALVE (O.S.) ..... | (1)       | -   | -   | -   | 2156734 DS,EN,ET,ETX,HH,HX,LD,LE,LH,LJ,LW2,LX,PH,PM,PM2,PX,QA,QD,QE,QH,QM,QSJ,QT,QX,QXC,QXG,QXS,RD,RH,RX,SD,SE,SH,SJ,SMJ,SN,STS,SW2,SX,TH,TX,UH,UX,VA,VED,VED1,VET,VH,VS,VSX,VX,WJ  |                      |
|          |               |                               | -         | (1) | -   | -   | 2156734   |                      |





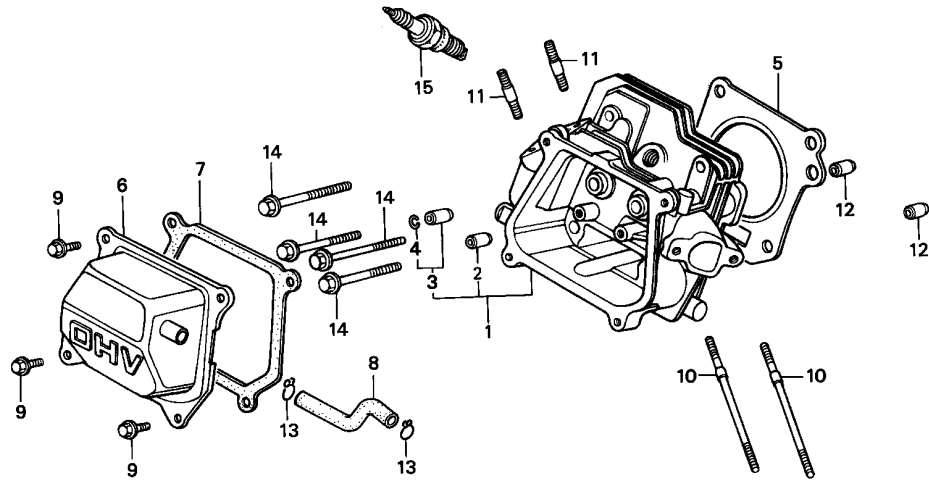
ZH70-E0200



| Ref. No. | Part No.      | Description             | Reqd. QTY |     |     |     | Serial No. | Parts catalogue code   |  |
|----------|---------------|-------------------------|-----------|-----|-----|-----|------------|--|--|
|          |               |                         | (1)       | (2) | (3) | (4) |            |  |  |
| (2)      | 12204-ZE1-306 | GUIDE, IN. VALVE (O.S.) | (1)       | -   | -   | -   | -----      | AR,DKR,HHQ4,HTF2,HT2,HXQ,HXU,HX2,HX26,HX4,KR,KRA4,KRF4,KRS4<br>KRT,KRT4,KRT6,LAJ4,LDB1,LDB3,LD4,LEH4,LHQ4,LJC,LJD2,LJS,LJT<br>LSJ,LSJ4,LTA,LTJ,LTK1,LTR,LTS,LXU,LX2,LX26,LX4,PX2,QAA2,QA2<br>QA26,QBU2,QB26,QEH,QHQ4,QH2,QH26,QJG2,QJW1,QLL,QMA4,QMA8,QME4<br>QMH,QMX2,QPU,QTC2,QWA4,QXC9,QXG2,QXQ,QXS2,QXU,QX2,QX26,QX4,QX7<br>RD4,RHC,RHQ4,RX4,SAD2,SAJ,SAJ4,SCJ,SDB1,SDB3,SD16,SD4,SG24<br>SHQ4,SJC,SJC1,SJC5,SJD2,SKJ,SKR,SMA7,SMW2,SM11,SM12,SM14,SSK1<br>SSK2,SSK3,SSX2,SSX4,STP,SWX2,SWX4,SXS4,SX4,SX7,TX2,TX26,TX4<br>UXU,VAX4,VED6,VEE1,VEK,VEX,VEX7,VMS4,VMT,VPR4,VSX1,VS1,VXU,VX4<br>VX7,WDA6,WDJ,WD12,WJP,WJP1,WJ1,WKD6,WKT2,WKT4,WKT6,WMA3,WME2<br>WME4,WM1 |  |
|          |               |                         | (1)       | -   | -   | -   | 2156735    | -----  | DS,EN,ET,ETX,HH,HX,LD,LE,LH,LJ,LW2,LX,PH,PM,PM2,PX,QA,QD,QE,QH<br>QM,QSJ,QT,QX,QXC,QXG,QXS,RD,RH,RX,SD,SE,SH,SJ,SMJ,SN,STS,SW2<br>SX,TH,TX,UH,UX,VA,VED,VED1,VET,VH,VS,VSX,VX,WJ |
|          |               |                         | -         | (1) | -   | -   | 2156735    |  |  |
| 3        | 12205-ZE1-315 | GUIDE, EX. VALVE (O.S.) | (1)       | (1) | (1) | (1) |            |  |  |
| 4        | 12216-ZE5-300 | CLIP, VALVE GUIDE       | 1         | 1   | 1   | 1   |            |  |  |
| 5        | 12251-ZF0-000 | GASKET, CYLINDER HEAD   | 1         | -   | -   | -   | -----      | 2157159  | DS,EN,ET,ETX,LJ,LW2,PM,PM2,QM,QSJ,QT,SJ,SMJ,SN,STS,SW2,VET,WJ  |
|          |               |                         | -         | (1) | -   | -   | -----      | 2157159  |  |
|          |               |                         | -         | -   | 1   | -   | -----      |  | UIH  |
|          |               |                         | -         | -   | -   | 1   |            |  |  |

| Ref. No.      | Part No.      | Description                 | Reqd. QTY |     |     |     | Serial No. | Parts catalogue code   |
|---------------|---------------|-----------------------------|-----------|-----|-----|-----|------------|--|
|               |               |                             | (1)       | (2) | (3) | (4) |            |  |
| (5)           | 12251-ZH7-800 | GASKET, CYLINDER HEAD ..... | 1         | -   | 1   | -   | -----      | AR,DKR,HH,HHQ4,HTF2,HT2,HX,HXQ,HXU,HX2,HX26,HX4,KR,KRA4,KRF4,KRS4,KRT,KRT4,KRT6,LAJ4,LD,LDB1,LDB3,LD4,LE,LEH4,LH,LHQ4,LJC,LJD2,LJS,LJT,LSJ,LSJ4,LTA,LTJ,LTJ,LTK1,LTR,LTS,LX,LXU,LX2,LX26,LX4,PH,PX,PX2,QA,QAA2,QA2,QBU2,QB26,QD,QE,QEH,QH,QHQ4,QH2,QH26,QIH1,QJG2,QJW1,QLL,QMA4,QMA8,QME4,QMH,QMX2,QPU,QTC2,QWA4,QX,QXC,QXC9,QXG,QXG2,QXQ,QXS,QXS2,QXU,QX2,QX26,QX4,QX7,RD,RD4,RH,RHC,RHQ4,RX,RX4,SAD2,SAJ,SAJ4,SCJ,SD,SDB1,SDB3,SD16,SD4,SE,SG24,SH,SHQ4,SJC,SJC1,SJC5,SJD2,SKJ,SKR,SMA7,SMW2,SM11,SM12,SM14,SSK1,SSK2,SSK3,SSX2,SSX4,STP,SWX2,SWX4,SWX4,SXS4, SX4, SX7, TH, TX, TX2, TX26, TX4, UH, UX, UXU, VA, VAX4, VED, VED1, VED6, VEE1, VEK, VEX, VEX7, VH, VMS4, VMT, VPR4, VS, VSX, VSX1, VS1, VX, VXU, VX4, VX7, WDA6, WDJ, WD12, WIH1, WJP, WJP1, WJ1, WKD6, WKT2, WKT4, WKT6, WMA3, WME2, WME4, WM1, DS, EN, ET, ETX, LJ, LW2, PM, PM2, QM, QSJ, QT, SJ, SMJ, SN, STS, SW2, VET, WJ |
|               |               |                             | 1         | -   | -   | -   | 2157160    | -----  |
|               |               |                             | -         | (1) | -   | -   | 2157160    | -----  |
| 6             | 12310-ZE1-000 | COVER COMP., HEAD .....     | 1         | -   | 1   | -   | -----      | 2533057 EN,ET,ETX,HH,LD,LE,LH,LW2,LX,PH,PM,PM2,PX,QD,QE,QEH,QH,QLL,QM,QPU,QT,RD,RH,RHC,RX,SD,SE,SH,SN,SW2,SX,TH,UH,UIH,UX,VA,VED,VED1,VEX,VH,VS,VSX,VSX1,VS1,VX  |
|               |               |                             | 1         | -   | -   | -   | -----      | HTF2,PX2,QBU2,QMX2,QTC2,SAD2,SAJ,SMW2,SSK2   |
|               |               |                             | 1         | -   | -   | -   | -----      | 2528940 LDB1,SDB1,VAX4   |
|               |               |                             | 1         | -   | -   | -   | -----      | 2533290 DS,LJ,LTA,LTJ,QSJ,SCJ,SJ,SKJ,SMJ,SSK1,VET,WJ,WJP   |
|               |               |                             | 1         | -   | -   | -   | -----      | 2535087 QMA4,QMA8,SMA7,WMA3  |
|               |               |                             | 1         | -   | -   | -   | -----      | 2538119 SJC,SSK3   |
|               |               |                             | 1         | -   | -   | -   | -----      | 2539585 HX2,LX2,QAA2,QA2,QH2,QXG2,QXS2,QX2,TX2   |
|               |               |                             | -         | 1   | -   | -   | -----      | 2115473  |
|               |               |                             | -         | -   | -   | 1   | -----      | 2533057  |
|               |               |                             | -         | (1) | -   | -   | -----      | U1   |
|               |               |                             | -         | (1) | -   | -   | -----      | 2115474  |
|               |               |                             | -         | -   | -   | -   | -----      | 2538109 H1,L1,Q1,R1,S1,V1,W1   |
| 12310-ZE1-010 | .....         | .....                       | 1         | -   | 1   | -   | -----      | LDB3,LD4,LEH4,LJT,QA26,QIH1,QJW1,QMH,QXG,QXS,SDB3,WDJ,WIH1,WJ1   |
|               |               |                             | 1         | -   | 1   | -   | -----      | 2533058 EN,ET,ETX,HH,LE,LW2,PM2,QE,QEH,QPU,RH,SN,SW2,UIH,VA,VH,VS,VS1  |
|               |               |                             | 1         | -   | -   | -   | -----      | 2528941 LDB1,SDB1,VAX4   |
|               |               |                             | 1         | -   | -   | -   | -----      | 2533291 LTA,QSJ,SSK1   |
|               |               |                             | 1         | -   | -   | -   | -----      | 2538120 SJC  |
|               |               |                             | 1         | -   | -   | -   | -----      | 2539586 QAA2,QH2   |
|               |               |                             | 1         | -   | -   | -   | -----      | 3909674 AR,DKR,HHQ4,HX,HXU,HX26,HX4,KR,KRA4,KRT,KRT4,KRT6,LAJ4,LHQ4,LJC,LJD2,LJS,LSJ,LSJ4,LTK1,LTR,LXU,LX26,LX4,QA,QB26,QHQ4,QH2,QJG2,QME4,QWA4,QX,QXU,QX26,QX4,RD4,RHQ4,RX4,SAJ4,SD16,SD4,SG24,SHQ4,SJC1,SJC5,SKR,SSX2,SSX4,SWX2,SWX4,SXS4, SX4, TX, TX26, TX4, UXU, VED6, VEE1, VMS4, VMT, VPR4, VXU, VX4, WDA6, WD12, WJP1, WKD6, WKT2, WKT4, WME2, WME4, WM1   |
|               |               |                             | 1         | -   | -   | -   | 2533058    | 3909674 LD,LH,LX,PH,PM,PX,QD,QH,QLL,QM,QT,RD,RHC,RX,SD,SE,SH,SX,TH,UH,UX,VED,VED1,VEX,VSX,VSX1,VX  |
|               |               |                             | 1         | -   | -   | -   | 2533291    | 3909674 DS,LJ,LTJ,SCJ,SJ,SKJ,SMJ,VET,WJ,WJP  |
|               |               |                             | 1         | -   | -   | -   | 2535088    | 3909674 QMA4,QMA8,SMA7,WMA3  |
|               |               |                             | 1         | -   | -   | -   | 2538120    | 3909674 SSK3   |
|               |               |                             | 1         | -   | -   | -   | 2539586    | 3909674 HX2,LX2,QA2,QXG2,QXS2,QX2,TX2  |
|               |               |                             | -         | (1) | -   | -   | 2538110    | -----  |
|               |               |                             | -         | (1) | -   | -   | 2538110    | -----  |
|               |               |                             | -         | -   | -   | 1   | 2533058    | -----  |
|               |               |                             | -         | -   | -   | 1   | 2533058    | -----  |





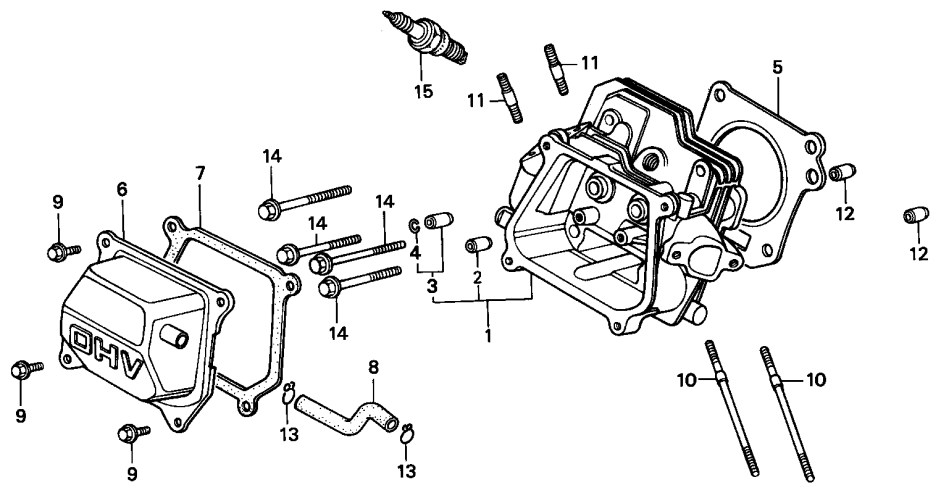
ZH70-E0200



| Ref. No. | Part No.      | Description                          | Reqd. QTY |     |     |     | Serial No. | Parts catalogue code   |
|----------|---------------|--------------------------------------|-----------|-----|-----|-----|------------|--|
|          |               |                                      | (1)       | (2) | (3) | (4) |            |  |
|          |               |                                      | GX120K1   |     |     |     |            |  |
| (6)      | 12310-ZE1-020 | COVER COMP., HEAD                    | 1         | (1) | -   | -   | 3909675    | AR,DKR,DS,HHQ4,HTF2,HX,HXU,HX2,HX26,HX4,H1,KR,KRA4,KRT,KRT4<br>KRT6,LAJ4,LD,LH,LHQ4,LJ,LJC,LJD2,LJS,LSJ,LSJ4,LTJ,LTK1,LTR,LX<br>LXU,LX2,LX26,LX4,PH,PM,PX,PX2,QA,QA2,QB26,QD,QH,QHQ4,QH26,QJG2<br>QLL,QM,QMA4,QMA8,QME4,QMX2,QT,QTC2,QWA4,QX,QXG2,QXS2,QXU,QX2<br>QX26,QX4,Q1,RD,RD4,RHC,RHQ4,RX,RX4,R1,SAJ,SAJ4,SCJ,SD,SD16,SD4<br>SE,SG24,SH,SHQ4,SJ,SJC1,SJC5,SKJ,SKR,SMA7,SMJ,SMW2,SSK3,SSX2<br>SSX4,SWX2,SWX4,SX,SXS4,SX4,TH,TX,TX2,TX26,TX4,UH,UX,UXU,VED<br>VED1,VED6,VEE1,RET,VEX,VMS4,VMT,VPR4,VSX,VSX1,VX,VXU,VX4,WDA6<br>WD12,WJ,WJP,WJP1,WKD6,WKT2,WKT4,WMA3,WME2,WME4,WM1<br>HT2,KRF4,KRS4,LTS,QX7,SJD2,SM11,SM12,SM14,SX7,VEK,VEX7,VX7<br>WKT6 |
|          | 12310-ZE1-840 | COVER COMP., HEAD<br>(BREATHER TUBE) | 1         | -   | -   | -   | 2575980    | HXQ,QXC,QXC9,QXQ,STP,STS   |
|          | 12310-ZE1-841 | .....                                | 1         | (1) | -   | -   | 2115474    |  |
|          | 12310-ZE1-841 | .....                                | 1         | -   | -   | -   | 2575981    | HXQ,QXC,QXQ  |
|          | 12310-ZE1-842 | .....                                | 1         | -   | -   | -   | 3909674    | QXC9,STP,STS   |
|          | 12310-ZE1-842 | .....                                | 1         | -   | -   | -   | 3909675    | QXC9,STP,STS   |
| 7        | 12391-ZE1-000 | PACKING, HEAD COVER                  | 1         | 1   | 1   | 1   |            |  |

| Ref. No. | Part No.      | Description                   | Reqd. QTY |     |     |     | Serial No.  | Parts catalogue code |
|----------|---------------|-------------------------------|-----------|-----|-----|-----|---|----------------------|
|          |               |                               | (1)       | (2) | (3) | (4) |   |                      |
| 8        | 15721-ZH8-000 | TUBE, BREATHER .....          | 1         | -   | -   | -   | AR,DKR,DS,EN,ET,ETX,HH,HHQ4,HTF2,HT2,HX,HXU,HX2,HX26,HX4,KR<br>KRA4,KRF4,KRS4,KRT,KRT4,KRT6,LAJ4,LD,LDB1,LDB3,LD4,LE,LEH4,LH<br>LHQ4,LJ,LJC,LJD2,LJS,LJT,LSJ,LSJ4,LTA,LTJ,LTK1,LTR,LTS,LW2,LX<br>LXU,LX2,LX26,LX4,PH,PM,PM2,PX,PX2,QA,QAA2,QA2,QA26,QBU2,QB26<br>QD,QE,QEH,QH,QHQ4,QH2,QH26,QJG2,QJW1,QLL,QM,QMA4,QMA8,QME4,QMH<br>QMX2,QPU,QSJ,QT,QTC2,QWA4,QX,QXG,QXG2,QXS,QXS2,QXU,QX2,QX26<br>QX4,QX7,RD,RD4,RH,RHC,RHQ4,RX,RX4,SAD2,SAJ,SAJ4,SCJ,SD,SDB1<br>SDB3,SD16,SD4,SE,SG24,SH,SHQ4,SJ,SJC,SJC1,SJC5,SJD2,SKJ,SKR<br>SMA7,SMJ,SMW2,SM11,SM12,SM14,SN,SSK1,SSK2,SSK3,SSX2,SSX4,SWX2<br>SWX4,SW2,SX,SXS4,SX4,SX7,TH,TX,TX2,TX26,TX4,UH,UX,UXU,VA,VAX4<br>VED,VED1,VED6,VEE1,VEK,VET,VEX,VEX7,VH,VMS4,VS,VSX,VSX1,VS1,VX<br>VXU,VX4,VX7,WDA6,WDJ,WD12,WJ,WJP,WJP1,WJ1,WKD6,WKT2,WKT4,WKT6<br>WMA3,WME2,WME4,WM1 |                      |
|          |               |                               | -         | 1   | -   | -   | 2115473   |                      |
|          | 15721-883-030 | .....                         | 1         | -   | -   | -   | VMT,VPR4  |                      |
|          | 15721-ZE1-840 | .....                         | 1         | -   | -   | -   | HXQ,QXC,QXC9,QXQ,STP,STS  |                      |
|          |               |                               | -         | (1) | -   | -   | 2115474   |                      |
| 9        | 90016-ZE1-000 | BOLT, FLANGE, 6X13(CT200) ... | 4         | -   | -   | -   | 2299856 DS,EN,ET,ETX,HH,HX,HXQ,HX2,LD,LE,LH,LJ,LTA,LTJ,LW2,LX,LX2,PH<br>PM,PM2,PX,QA,QA2,QD,QE,QEH,QH,QH2,QM,QSJ,QT,QX,QXC,QXG,QXG2<br>QXQ,QXS,QXS2,QX2,RD,RH,RX,SD,SE,SH,SJ,SKJ,SMJ,SN,STS,SW2,SX,TH<br>TX,TX2,UH,UX,VA,VED,VED1,VET,VEX,VH,VS,VSX,VSX1,VS1,VX,WJ  |                      |
|          |               |                               | -         | 4   | -   | -   | 2299856   |                      |
|          | 90013-883-000 | BOLT, FLANGE, 6X12(CT200) ... | 4         | -   | -   | -   | AR,DKR,HHQ4,HTF2,HT2,HXU,HX26,HX4,KR,KRA4,KRF4,KRS4,KRT,KRT4<br>KRT6,LAJ4,LDB1,LDB3,LD4,LEH4,LHQ4,LJC,LJD2,LJS,LJT,LSJ,LSJ4<br>LTK1,LTR,LTS,LXU,LX26,LX4,PX2,QAA2,QA26,QBU2,QB26,QHQ4,QH26<br>QJG2,QJW1,QLL,QMA4,QMA8,QME4,QMH,QMX2,QPU,QTC2,QWA4,QXC9,QXU<br>QX26,QX4,QX7,RD4,RHC,RHQ4,RX4,SAD2,SAJ,SAJ4,SCJ,SDB1,SDB3,SD16<br>SD4,SG24,SHQ4,SJC,SJC1,SJC5,SJD2,SKR,SMA7,SMW2,SM11,SM12,SM14<br>SSK1,SSK2,SSK3,SSX2,SSX4,STP,SWX2,SWX4,SXS4,SX4,SX7,TX26,TX4<br>UXU,VAX4,VED6,VEE1,VEK,VEX7,VMS4,VMT,VPR4,VXU,VX4,VX7,WDA6,WDJ<br>WD12,WJP,WJP1,WJ1,WKD6,WKT2,WKT4,WKT6,WMA3,WME2,WME4,WM1   |                      |
|          |               |                               | 4         | -   | -   | -   | 2299857   |                      |
|          |               |                               | -         | 4   | -   | -   | 2299857   |                      |
|          |               |                               | -         | -   | 4   | 4   |   |                      |
| 10       | 90043-ZE1-010 | BOLT, STUD, 6X109 .....       | 2         | 2   | 2   | -   | 2400125 EN,ET,ETX,HH,HX,H1,LD,LE,LH,LW2,LX,L1,PH,PM,PM2,PX,QA,QD,QE<br>QEH,QH,QLL,QM,QPU,QT,QX,QXC,QXG,QXS,Q1,RD,RH,RHC,RX,R1,SD,SE<br>SH,SN,SW2,SX,S1,TH,TX,UH,UIH,UX,VA,VED,VED1,VEX,VH,VS,VSX,VSX1<br>VS1,VX,V1,W1   |                      |
|          |               |                               | 2         | -   | -   | -   | 2401319 DS,LJ,LTA,LTJ,QSJ,SCJ,SJ,SKJ,SMJ,STS,VET,WJ   |                      |
|          |               |                               | 2         | -   | -   | -   | 2402519 HXQ,HX2,LX2,QA2,QH2,QXG2,QXQ,QXS2,QX2,TX2   |                      |
|          |               |                               | -         | 2   | -   | -   | U1  |                      |
|          |               |                               | -         | -   | -   | 2   | 2400125   |                      |
|          | 90043-ZB2-003 | BOLT, STUD, 6X94 .....        | 2         | -   | -   | -   | VMT,VPR4  |                      |





ZH70-E0200



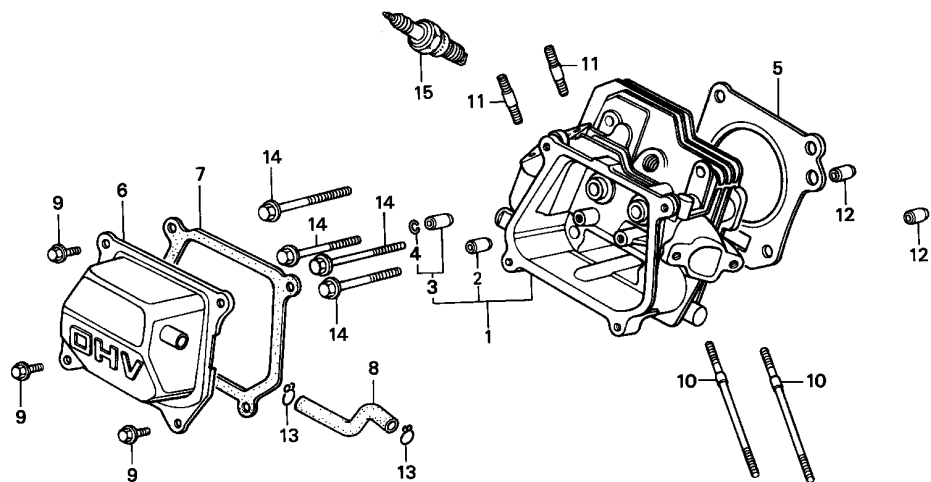
2

| Ref. No. | Part No.       | Description                    | Reqd. QTY |     |     |     | Serial No. | Parts catalogue code   |
|----------|----------------|--------------------------------|-----------|-----|-----|-----|------------|--|
|          |                |                                | (1)       | (2) | (3) | (4) |            |  |
| 10)      | 90043-ZE1-020  | BOLT, STUD, 6X112 .....        | 2         | 2   | 2   | -   | 2400126    | EN,ET,ETX,HH,HX,H1,LD,LE,LH,LW2,LX,L1,PH,PM,PM2,PX,QA,QD,QE,QEH,QH,QLL,QM,QPU,QT,QX,QXC,QXG,QXS,Q1,RD,RH,RHC,RX,R1,SD,SE,SH,SN,SW2,SX,S1,TH,TX,UH,UIH,UX,VA,VED,VED1,VEX,VH,VS,VSX,VSX1,VS1,VX,V1,W1   |
|          |                |                                | 2         | -   | 2   | -   | -----      | AR,DKR,HHQ4,HTF2,HT2,HXU,HX26,HX4,KR,KRA4,KRF4,KRS4,KRT,KRT4,KRT6,LAJ4,LDB1,LDB3,LD4,LEH4,LHQ4,LJC,LJD2,LJS,LJT,LSJ,LSJ4,LTK1,LTR,LTS,LXU,LX26,LX4,PX2,QAA2,QA26,QBU2,QB26,QHQ4,QH26,QIH1,QJG2,QJW1,QMA4,QMA8,QME4,QMH,QMX2,QTC2,QWA4,QXC9,QXU,QX26,QX4,QX7,RD4,RHQ4,RX4,SAD2,SAJ,SAJ4,SDB1,SDB3,SD16,SD4,SG24,SHQ4,SJC,SJC1,SJC5,SJD2,SKR,SMA7,SMW2,SM11,SM12,SM14,SSK1,SSK2,SSK3,SSX2,SSX4,STP,SWX2,SWX4,SXS4,SX4,SX7,TX26,TX4,UXU,VAX4,VED6,VEE1,VEK,VEX7,VMS4,VXU,VX4,VX7,WDA6,WDJ,WD12,WIH1,WJP,WJP1,WJ1,WKD6,WKT2,WKT4,WKT6,WMA3,WME2,WME4,WM1 |
|          |                |                                | 2         | -   | -   | -   | 2401320    | ----- DS,LJ,LTA,LTJ,QSJ,SCJ,SJ,SKJ,SMJ,STS,VET,WJ  |
|          |                |                                | 2         | -   | -   | -   | 2402520    | ----- HXQ,HX2,LX2,QA2,QH2,QXG2,QXQ,QXS2,QX2,TX2  |
|          |                |                                | -         | -   | -   | 2   | 2400126    |  |
| 11       | 90047-ZE1-000  | BOLT, STUD, 8X32 .....         | 2         | 2   | 2   | 2   |            |  |
| 12       | 94301-10160    | DOWEL PIN, 10X16 .....         | 2         | 2   | 2   | 2   |            |  |
| 13       | 95002-80000    | CLIP, TUBE (C12) .....         | 2         | -   | -   | -   | -----      | HXQ,QXC,QXC9,QXQ,STP,STS   |
|          |                |                                | -         | (2) | -   | -   | 2115474    |  |
| 14       | 95723-08055-00 | BOLT, FLANGE, 8X55 .....       | 4         | 4   | 4   | 4   |            |  |
| 15       | 98079-54841    | PLUG, SPARK (BP4ES) (NGK) .... | 1         | -   | -   | -   | -----      | KRT6   |
|          |                |                                | 1         | -   | -   | -   | 3235089    | AR   |
|          |                |                                | 1         | -   | -   | -   | 2912713    | 3491424 KR,KRT   |
|          |                |                                | (1)       | -   | -   | -   | 2912713    | 3235089 DKR  |
|          | 98079-54846    | PLUG, SPARK (BPR4ES) (NGK) ... | 1         | -   | -   | -   | -----      | KRA4,KRF4,KRS4,KRT4  |
|          |                |                                | 1         | -   | -   | -   | 3235090    | AR,DKR   |
|          |                |                                | 1         | -   | -   | -   | 3491425    | KR,KRT   |

| Ref. No. | Part No.    | Description                    | Reqd. QTY |                |     |         | Serial No.   | Parts catalogue code |
|----------|-------------|--------------------------------|-----------|----------------|-----|---------|--|----------------------|
|          |             |                                | (1)       | GX120K1<br>(2) | (3) | (4)     |  |                      |
| 15)      | 98079-55841 | PLUG, SPARK (BP5ES) (NGK) .... | 1         | -              | -   | -       | VEK  |                      |
|          |             |                                | (1)       | -              | 1   | -       | LTA,UIH,VS1  |                      |
|          |             |                                | (1)       | -              | -   | -       | 2912712 DKR,KR,KRT   |                      |
|          |             |                                | (1)       | -              | -   | -       | 3491424 VS   |                      |
|          |             |                                | -         | (1)            | -   | -       |  |                      |
|          | 98079-55846 | PLUG, SPARK (BPR5ES) (NGK) ... | 1         | -              | -   | -       | LTR  |                      |
|          |             |                                | 1         | -              | -   | 3491425 | VS   |                      |
|          |             |                                | (1)       | -              | -   | -       | HTF2,HT2,HX,HXQ,HXU,HX2,HX26,HX4,LAJ4,LEH4,LH,LHQ4,LJD2,LSJ4<br>LX,LXU,LX2,LX26,LX4,PX,PX2,QA,QAA2,QA2,QA26,QBU2,QB26,QEH,QH<br>QH4,QH2,QH26,QJG2,QJW1,QLL,QME4,QMH,QMX2,QPU,QTC2,QX,QXC,QXG<br>QXG2,QXQ,QXS,QXS2,QXU,QX2,QX26,QX4,QX7,RH,RHC,RHQ4,SAD2,SG24<br>SJD2,SMW2,SM11,SM14,SWX2,SWX4,TX,TX2,TX26,TX4,VED,VH,WDA6,WD12<br>WKD6,WKT2,WKT4,WKT6,WME2,WME4,WM1  |                      |
|          |             |                                | (1)       | -              | -   | 2689723 | LD4,RD4,SD4,WMA3   |                      |
|          |             |                                | -         | (1)            | -   | -       |  |                      |
|          | 98079-56841 | PLUG, SPARK (BP6ES) (NGK) .... | 1         | -              | 1   | -       | AR,DS,EN,ET,ETX,KRA4,LDB1,LJ,LJC,LJT,LSJ,LTA,LTK1,LW2,PM,PM2<br>QIH1,QM,QSJ,SAJ,SCJ,SJ,SJC,SJC1,SJC5,SKJ,SMJ,SN,SSK1,SSK3,STP<br>STS,SW2,VEE1,VET,VS1,WDJ,WIH1,WJ,WJP,WJ1  |                      |
|          |             |                                | 1         | -              | -   | 2816332 | VSX,VSX1   |                      |
|          |             |                                | 1         | -              | -   | 2689722 | LD4,RD4,SD4,WMA3   |                      |
|          |             |                                | 1         | -              | -   | 2912712 | DKR,KR,KRT   |                      |
|          |             |                                | 1         | -              | -   | 3171360 | WJP1   |                      |
|          |             |                                | 1         | -              | -   | 3491424 | LD,LDB3,LTJ,QD,RD,SD,SDB1,SDB3,SKR,VED,VS,WM1  |                      |
|          |             |                                | -         | (1)            | -   | 1       |  |                      |
|          | 98079-56846 | PLUG, SPARK (BPR6ES) (NGK) ... | 1         | -              | -   | -       | HH,HHQ4,HTF2,HT2,HX,HXQ,HXU,HX2,HX26,HX4,LAJ4,LE,LEH4,LH,LHQ4<br>LJD2,LJS,LSJ4,LTS,LX,LXU,LX2,LX26,LX4,PH,PX,PX2,QA,QAA2,QA2<br>QA26,QBU2,QB26,QE,QEH,QH,QHQ4,QH2,QH26,QJG2,QJW1,QLL,QMA4,QMA8<br>QME4,QMH,QMX2,QPU,QTC2,QWA4,QX,QXC,QXC9,QXG,QXG2,QXQ,QXS,QXS2<br>QXU,QX2,QX26,QX4,QX7,RH,RHC,RHQ4,RX,RX4,SAD2,SAJ4,SD16,SE,SG24<br>SH,SHQ4,SMA7,SMW2,SM11,SM12,SM14,SSK2,SSX2,SSX4,SWX2,SWX4,SX<br>SXS4,SX4,SX7,TH,TX,TX2,TX26,TX4,UH,UX,UXU,VA,VAX4,VED1,VED6<br>VEX,VEX7,VH,VMS4,VMT,VPR4,VX,VXU,VX4,VX7,WDA6,WD12,WKD6,WKT2<br>WKT4,WME2,WME4 |                      |
|          |             |                                | 1         | -              | -   | 2689723 | LD4,RD4,SD4,WMA3   |                      |
|          |             |                                | 1         | -              | -   | 3171361 | WJP1   |                      |
|          |             |                                | 1         | -              | -   | 3491425 | DS,LD,LDB3,LJ,LJT,LSJ,LTJ,QD,RD,SAJ,SCJ,SD,SDB1,SDB3,SJ,SJC<br>SJC1,SJC5,SKJ,SKR,SMJ,SSK1,SSK3,VED,VEE1,VET,VS,WDJ,WJ,WJP,WJ1<br>WM1   |                      |
|          |             |                                | 1         | -              | -   | 2816331 | VSX,VSX1   |                      |
|          |             |                                | (1)       | -              | -   | -       | SJD2,VEK,WKT6  |                      |
|          |             |                                | -         | (1)            | -   | 1       |  |                      |
|          | 98079-54854 | PLUG, SPARK (W14EP-U) (DENSO)  | 1         | -              | -   | -       | KRT6   |                      |
|          |             |                                | 1         | -              | -   | 3235089 | AR   |                      |
|          |             |                                | 1         | -              | -   | 2912713 | 3491424 KR,KRT   |                      |
|          |             |                                | (1)       | -              | -   | 2912713 | 3235089 DKR  |                      |
|          | 98079-54855 | PLUG, SPARK (W14EPR-U) (DENSO) | 1         | -              | -   | -       | KRA4,KRF4,KRS4,KRT4  |                      |
|          |             |                                | 1         | -              | -   | 3235090 | AR,DKR   |                      |
|          |             |                                | 1         | -              | -   | 3491425 | KR,KRT   |                      |
|          | 98079-55854 | PLUG, SPARK (W16EP-U) (DENSO)  | 1         | -              | -   | -       | VEK  |                      |
|          |             |                                | (1)       | -              | 1   | -       | LTA,UIH,VS,VS1   |                      |
|          |             |                                | (1)       | -              | -   | -       | 2912712 DKR,KR,KRT   |                      |
|          |             |                                | -         | (1)            | -   | -       |  |                      |



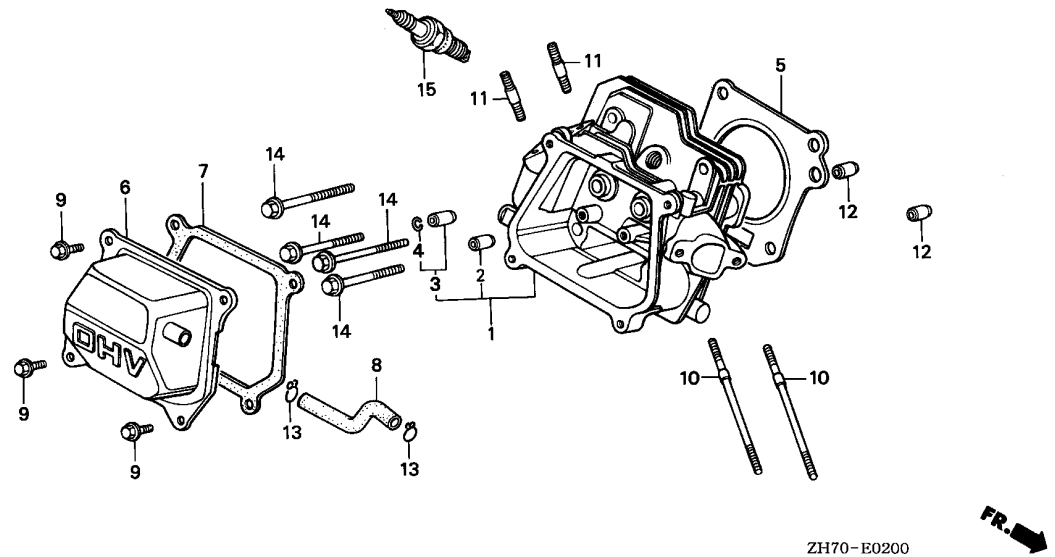




ZH70-E0200



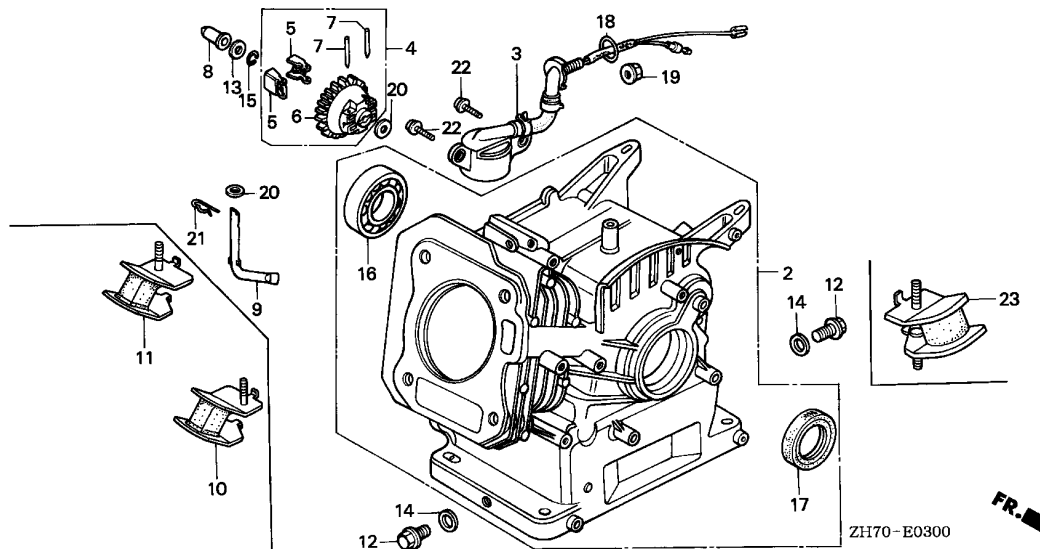
| Ref. No. | Part No.    | Description                    | Reqd. QTY |     |     |     | Serial No. | Parts catalogue code   |  |
|----------|-------------|--------------------------------|-----------|-----|-----|-----|------------|--|--|
|          |             |                                | (1)       | (2) | (3) | (4) |            |  |  |
| 15)      | 98079-55855 | PLUG, SPARK (W16EPR-U) (DENSO) | 1         | -   | -   | -   | -----      | LTR  |  |
|          |             |                                | (1)       | -   | -   | -   | -----      | HTF2, HT2, HX, HXQ, HXU, HX2, HX26, HX4, LAJ4, LEH4, LH, LHQ4, LJD2, LSJ4, LX, LXU, LX2, LX26, LX4, PX, PX2, QA, QAA2, QA2, QA26, QBU2, QB26, QEH, QHQ4, QH2, QH26, QJG2, QJW1, QLL, QME4, QMH, QMX2, QPU, QTC2, QX, QXC, QXG, QXG2, QXQ, QXS, QXS2, QXU, QX2, QX26, QX4, QX7, RH, RHC, RHQ4, SAD2, SG24, SJD2, SMW2, SM11, SM14, SWX2, SWX4, TX, TX2, TX26, TX4, VED, VH, VS, WDA6, WD12, WKD6, WKT2, WKT4, WKT6, WME2, WME4, WM1, LD4, RD4, SD4, WMA3  |  |
|          | 98079-56855 | PLUG, SPARK (W20EPR-U) (DENSO) | 1         | -   | -   | -   | -----      | HH, HHQ4, HTF2, HT2, HX, HXQ, HXU, HX2, HX26, HX4, LAJ4, LE, LEH4, LH, LHQ4, LJD2, LSJ4, LX, LXU, LX2, LX26, LX4, PH, PX, PX2, QA, QAA2, QA2, QA26, QBU2, QB26, QE, QEH, QH, QHQ4, QH2, QH26, QJG2, QLL, QMA4, QMA8, QME4, QMH, QMX2, QPU, QTC2, QWA4, QX, QXC, QXC9, QXG, QXG2, QXQ, QXS, QXS2, QXU, QX2, QX26, QX4, QX7, RH, RHC, RHQ4, RX, RX4, SAD2, SAJ4, SD16, SE, SG24, SH, SHQ4, SJD2, SMA7, SMW2, SM11, SM12, SM14, SSK2, SSS2, SSS4, SWX2, SWX4, SX, SXS4, SX4, SX7, TH, TX, TX2, TX26, TX4, UH, UX, UXU, VA, VAX4, VED1, VED6, VEX, VEX7, VHM, VMS4, VMT, VPR4, VXU, VX4, VX7, WDA6, WD12, WKD6, WKT2, WKT4, WKT6, WME2, WME4 |  |
|          |             |                                | 1         | -   | -   | -   | 2689723    | -----  | LD4, RD4, SD4, WMA3                            |
|          |             |                                | -         | (1) | -   | -   | 3491425    | -----  | LD, LDB3, QD, RD, SD, SDB1, SDB3, VED, VS, WM1 |
|          |             |                                | 1         | -   | -   | -   | 2816331    | -----  | VSX, VSX1                                      |
|          |             |                                | (1)       | -   | -   | -   | -----      | VEK  |  |
|          |             |                                | -         | (1) | -   | 1   | -----      |  |  |



ZH70-E0200

| Ref. No. | Part No.    | Description                    | Reqd. QTY |                |     |     | Serial No. | Parts catalogue code   |
|----------|-------------|--------------------------------|-----------|----------------|-----|-----|------------|--|
|          |             |                                | (1)       | GX120K1<br>(2) | (3) | (4) |            |  |
| 15)      | 98079-56854 | PLUG, SPARK (W20EP-U) (DENSO)  | 1         | -              | (1) | -   | -----      | EN,ET,ETX,LD,LDB1,LDB3,LJC,LTA,LTK1,LW2,PM,PM2,QD,QM,QSJ,QT,RD,SD,SDB1,SDB3,SN,STP,STS,SW2,UIH,VED,VS,VS1,WIH1,WM1 |
|          |             |                                | 1         | -              | -   | -   | 2816332    | ----- VSX,VSX1   |
|          |             |                                | 1         | -              | -   | -   | 2689722    | ----- LD4,RD4,SD4,WMA3   |
|          |             |                                | 1         | -              | -   | -   | 2912712    | ----- DKR,KR,KRT   |
|          |             |                                | 1         | -              | -   | -   | 2923462    | ----- WJP1   |
|          |             |                                | 1         | -              | -   | -   | 3491424    | ----- DS,LJ,LJT,LSJ,LTJ,SAJ,SCJ,SJ,SJC,SJC1,SJC5,SKJ,SKR,SMJ,SSK1,SSK3,VEE1,VET,WDJ,WJ,WJP,WJ1                     |
|          | 98079-56855 | PLUG, SPARK (W20EPR-U) (DENSO) | -         | (1)            | -   | -   | -----      | HT2,HX,H1,LJS,LTS,LX,PH,PX,QJW1,QX,Q1,RX,R1,SJD2,SM11,SM14,SX,TH,UH,UX,U1,VH,VX,V1,W1                              |
|          |             |                                | 1         | (1)            | -   | -   | -----      | HT2,HX,H1,LJS,LTS,LX,PH,PX,QJW1,QX,Q1,RX,R1,SJD2,SM11,SM14,SX,TH,UH,UX,U1,VH,VX,V1,W1                              |
|          |             |                                | 1         | -              | -   | -   | 2923463    | ----- WJP1   |
|          |             |                                | 1         | -              | -   | -   | 3491425    | ----- DS,LD,LJ,LJT,LSJ,LTJ,QD,RD,SAJ,SCJ,SD,SJ,SJC,SJC1,SJC5,SKJ,SKR,SMJ,SSK1,SSK3,VEE1,VET,WDJ,WJ,WJP,WJ1         |
|          |             |                                | (1)       | -              | -   | -   | -----      | VEK  |





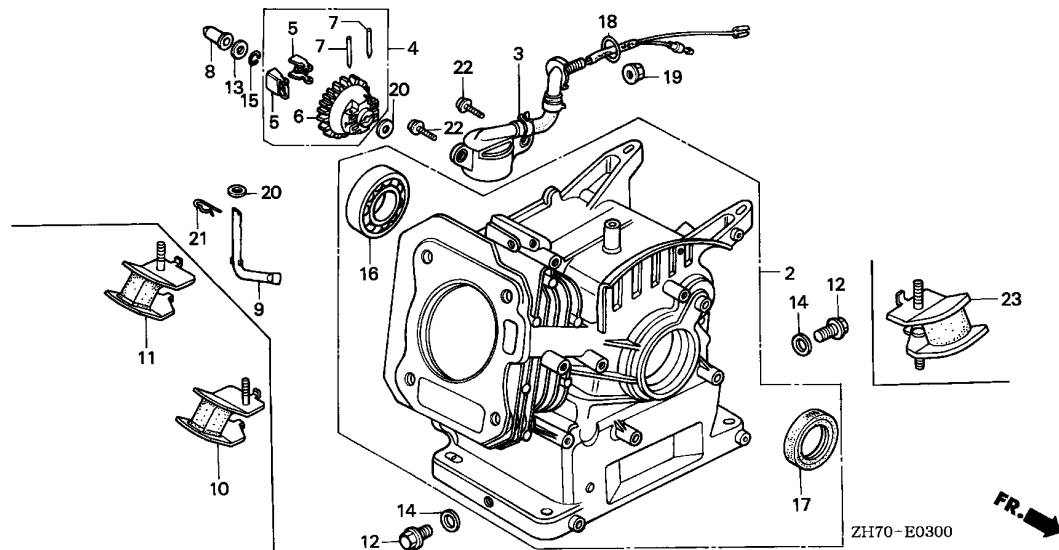
| Ref. No. | L.O.N. | (Relative ref. Number) Description | F.R.T. |
|----------|--------|------------------------------------|--------|
| 2        | 1101A0 | BARREL, CYLINDER .....             | 2.0    |
| 3        |        | (18)                               |        |
| 6        | 6151E8 | SWITCH, OIL LEVEL .....            | 0.5    |
| 6        |        | (5)                                |        |
| 9        | 1161A7 | HOLDER, GOVERNOR WEIGHT .....      | 0.9    |
| 8        | 1161B6 | SLIDER, GOVERNOR .....             | 0.4    |
| 9        | 1161B4 | SHAFT, GOVERNOR ARM .....          | 0.9    |
| 16       | 1101A4 | BEARING, CRANKSHAFT :FRONT ...     | 1.3    |
| 17       | 1101E4 | OIL SEAL, CRANKSHAFT :FRONT ..     | 1.2    |

2

| Ref. No. | Part No.      | Description                        | Reqd. QTY |     |     |         | Serial No.   | Parts catalogue code |
|----------|---------------|------------------------------------|-----------|-----|-----|---------|--|----------------------|
|          |               |                                    | (1)       | (2) | (3) | (4)     |  |                      |
| 2        | 12000-ZF0-405 | BARREL ASSY., CYLINDER .....       | 1         | (1) | 1   | -       | EN,ET,HH,LDB1,LDB3,LD4,LE,LEH4,LJT,LW2,PH,PM,PM2,QAA2,QA26,QE QEH,QH2,QPU,QSJ,RH,SDB1,SDB3,SKJ,SN,SSK2,SW2,TH,UH,UIH,U1,VH VS,VS1,V1,WDJ,WJP1,WJ1  |                      |
|          |               |                                    | 1         | -   | -   | 2564425 | QXG2   |                      |
|          | 12000-ZH7-405 | .....                              | 1         | (1) | -   | -       | ETX,HXQ,LTA,LX26,QBU2,QJW1,QMH,QTC2,QXC,QXG,QXQ,QXS,SAD2,UX,U1 VA,VAX4,V1  |                      |
|          |               |                                    | 1         | -   | -   | 2564424 | QXG2   |                      |
|          | 12000-ZF0-415 | .....                              | 1         | (1) | -   | -       | 4205163 AR,DKR,DS,HHQ4,HT2,H1,KR,KRA4,KRF4,KRS4,KRT,KRT4,KRT6,LAJ4,LD LH,LHQ4,LJ,LJD2,LJS,LSJ,LSJ4,LTJ,LTK1,LTR,L1,QA,QA2,QB26,QD,QH QHQ4,QH26,QJG2,QM,QMA4,QME4,QT,Q1,RD,RD4,RHC,RHQ4,R1,SAJ,SAJ4 SCJ,SD,SD16,SD4,SE,SH,SHQ4,SJ,SJC,SJD2,SKR,SM11,SSK1,SSK3,STP STS,S1,VED,VEK,VET,WDA6,WD12,WJ,WJP,WMA3,WME4,WM1,W1          |                      |
|          |               |                                    | -         | -   | 1   | -       | QIH1,WIH1  |                      |
|          | 12000-ZH7-415 | BARREL ASSY., CYLINDER (OIL ALERT) | 1         | (1) | -   | -       | 4205163 HTF2,HX,HXU,HX2,HX26,HX4,H1,LJC,LX,LXU,LX2,LX4,L1,PX,PX2,QLL QMA8,QMX2,QWA4,QX,QXC9,QXS2,QXU,QX2,QX26,QX4,QX7,Q1,RX,RX4,R1 SG24,SJC1,SJC5,SMA7,SMJ,SMW2,SM12,SM14,SSX2,SSX4,SWX2,SWX4,SX SXS4,SX4,SX7,S1,TX,TX2,TX26,TX4,UXU,VED1,VED6,VEE1,VEX,VEX7 VMS4,VMT,VPR4,VSX,VSX1,VX,VXU,VX4,VX7,WKD6,WKT2,WKT4,WKT6,WME2 W1 |                      |
|          |               |                                    | 1         | (1) | -   | -       | 4205164 AR,DKR,DS,HHQ4,HT2,H1,KR,KRA4,KRF4,KRS4,KRT,KRT4,KRT6,LAJ4,LD LH,LHQ4,LJ,LJD2,LJS,LSJ,LSJ4,LTJ,LTK1,LTR,L1,QA,QA2,QB26,QD,QH QHQ4,QH26,QJG2,QM,QMA4,QME4,QT,Q1,RD,RD4,RHC,RHQ4,R1,SAJ,SAJ4 SCJ,SD,SD16,SD4,SE,SH,SHQ4,SJ,SJC,SJD2,SKR,SM11,SSK1,SSK3,STP STS,S1,VED,VEK,VET,WDA6,WD12,WJ,WJP,WMA3,WME4,WM1,W1          |                      |
|          |               |                                    | 1         | -   | -   | -       | LTS  |                      |

| Ref. No. | Part No.      | Description                    | Reqd. QTY |                |     |     | Serial No.    | Parts catalogue code  |
|----------|---------------|--------------------------------|-----------|----------------|-----|-----|---------------|---|
|          |               |                                | (1)       | GX120K1<br>(2) | (3) | (4) |               |   |
| (2)      | 12000-ZH7-425 | BARREL ASSY., CYLINDER .....   | 1         | (1)            | -   | -   | 4205164 ----- | HTF2,HX,HXU,HX2,HX26,HX4,H1,LJC,LX,LXU,LX2,LX4,L1,PX,PX2,QLL,QMA8,QMX2,QWA4,QX,QXC9,QXS2,QXU,QX2,QX26,QX4,QX7,Q1,RX,RX4,R1,SG24,SJC1,SJC5,SMA7,SMJ,SMW2,SM12,SM14,SSX2,SSX4,SWX2,SWX4,SXS4,SX4,SX7,S1,TX,TX2,TX26,TX4,UXU,VED1,VED6,VEE1,VEX,VEX7,VMS4,VMT,VPR4,VSX,VSX1,VX,VXU,VX4,VX7,WKD6,WKT2,WKT4,WKT6,WME2,W1 |
| 3        | 15510-ZE1-003 | SWITCH ASSY., OIL LEVEL .....  | 1         | -              | -   | -   | -----         | 2186369 ETX,HX,LX,PX,QX,QXC,QXG,QXS,RX,SMJ,SX,TX,UX,VA,VED1,VSX,VX  |
|          | 15510-ZE1-013 | .....                          | -         | (1)            | -   | -   | -----         | 2186369   |
|          |               |                                | 1         | (1)            | -   | -   | 2186370       | 2867760 ETX,HX,LX,PX,QX,QXC,QXG,QXS,Q1,RX,R1,SMJ,SX,S1,TX,UX,VA,VED1,VSX,VX,V1,W1   |
|          |               |                                | 1         | -              | -   | -   | -----         | 2564424 QXG2  |
|          |               |                                | 1         | -              | -   | -   | -----         | 2867760 HTF2,HXQ,HX2,HX26,HX4,LTA,LX2,LX26,LX4,PX2,QBU2,QLL,QMA8,QMX2,QTC2,QXC9,QXQ,QXS2,QX2,QX26,QX4,RX4,SAD2,SG24,SJC1,SMA7,SMW2,SSX4,SX4,TX2,TX26,TX4,VAX4,VEX,VPR4,VSX1,VX4,WKT2,WME2   |
|          | 15510-ZE1-023 | .....                          | -         | (1)            | -   | -   | 2186370       | -----   |
|          |               |                                | 1         | (1)            | -   | -   | 2867761       | -----   |
|          |               |                                | 1         | (1)            | -   | -   | 2867761       | 3327460 HTF2,HX,HX2,HX26,HX4,LTA,LX,LX2,LX26,LX4,PX,PX2,QLL,QMA8,QMX2,QTC2,QX,QXC,QXC9,QXS2,QX2,QX26,QX4,Q1,RX,RX4,R1,SG24,SJC1,SMA7,SMJ,SMW2,SSX4,SX,SX4,S1,TX,TX2,TX26,TX4,UX,VAX4,VED1,VEX,VPR4,VSX,VSX1,VX,VX4,WKT2,WME2,W1   |
|          | 15510-ZE1-033 | .....                          | 1         | -              | -   | -   | -----         | 3327460 HXU,LJC,LXU,QJW1,QMH,QXU,SJC5,UXU,VEE1,VMS4,VXU   |
|          |               |                                | 1         | (1)            | -   | -   | 3327461       | -----   |
|          |               |                                |           |                |     |     |               | HTF2,HX,HXU,HX2,HX26,HX4,LJC,LTA,LX,LXU,LX2,LX26,LX4,PX,PX2,QJW1,QLL,QMA8,QMH,QMX2,QTC2,QX,QXC,QXC9,QXS2,QXU,QX2,QX26,QX4,Q1,RX,RX4,R1,SG24,SJC1,SJC5,SMA7,SMJ,SMW2,SSX4,SX,SX4,S1,TX,TX2,TX26,TX4,UX,UXU,VAX4,VED1,VEE1,VEX,VMS4,VPR4,VSX,VSX1,VX,VXU,VX4,WKT2,WME2,W1   |
|          |               |                                | 1         | -              | -   | -   | -----         | QWA4,QX7,SM12,SM14,SSX2,SWX2,SWX4,SXS4,SX7,VED6,VEX7,VMT,VX7,WKD6,WKT4,WKT6   |
| 4        | 16510-ZE1-000 | GOVERNOR ASSY. ....            | 1         | 1              | 1   | 1   |               |   |
| 5        | 16511-ZE1-000 | WEIGHT, GOVERNOR .....         | 2         | 2              | 2   | 2   |               |   |
| 6        | 16512-ZE1-000 | HOLDER, GOVERNOR WEIGHT .....  | 1         | 1              | 1   | 1   |               |   |
| 7        | 16513-ZE1-000 | PIN, GOVERNOR WEIGHT .....     | 2         | 2              | 2   | 2   |               |   |
| 8        | 16531-ZE1-000 | SLIDER, GOVERNOR .....         | 1         | 1              | 1   | 1   |               |   |
| 9        | 16541-ZE1-000 | SHAFT, GOVERNOR ARM .....      | 1         | 1              | 1   | 1   |               |   |
| 10       | 68326-ZB2-000 | RUBBER, FR. BOTTOM .....       | 2         | -              | -   | -   | -----         | VS,VSX,VSX1,VS1   |
| 11       | 68327-ZB2-000 | RUBBER, RR. BOTTOM .....       | 2         | -              | -   | -   | -----         | VS,VSX,VSX1,VS1   |
| 12       | 90131-ZE1-000 | BOLT, DRAIN PLUG .....         | 2         | 2              | 2   | 2   |               |   |
| 13       | 90451-ZE1-000 | WASHER, THRUST, 6MM .....      | 1         | (1)            | 1   | 1   |               |   |
| 14       | 90601-ZE1-000 | WASHER, DRAIN PLUG, 10.2MM ..  | 2         | 2              | 2   | 2   |               |   |
| 15       | 90602-ZE1-000 | CLIP, GOVERNOR HOLDER .....    | 1         | 1              | 1   | 1   |               |   |
| 16       | 91001-878-003 | BEARING, RADIAL BALL, 62/22 .. | 1         | (1)            | 1   | 1   |               |   |





2

| Ref. No. | Part No.      | Description             | Reqd. QTY |     |     |     | Serial No. | Parts catalogue code   |
|----------|---------------|-------------------------|-----------|-----|-----|-----|------------|--|
|          |               |                         | (1)       | (2) | (3) | (4) |            |  |
| 17       | 91202-ZE6-003 | OIL SEAL, 22X35X6 ..... | 1         | (1) | 1   | -   | -----      | EN,ET,ETX,HH,HXQ,LDB1,LDB3,LD4,LE,LEH4,LJT,LTA,LW2,LX26,PH,PM,PM2,QAA2,QA26,QBU2,QE,QEH,QH2,QPU,QSJ,QTC2,QXC,QXG,QXG2,QXQ,QXS,RH,SAD2,SDB1,SDB3,SKJ,SN,SSK2,SW2,TH,UH,UIH,UX,U1,VA,VAX4,VH,VS,VS1,V1,WDJ,WJP1  |
|          |               |                         | 1         | (1) | -   | -   | -----      | 4205163 AR,DKR,DS,HHQ4,HTF2,HT2,HX,HXU,HX2,HX26,HX4,H1,KR,KRA4,KRF4,KRS4,KRT,KRT4,KRT6,LAJ4,LD,LH,LHQ4,LJ,LJC,LJD2,LJS,LSJ,LSJ4,LTJ,LTK1,LTR,LX,LXU,LX2,LX4,L1,PX,PX2,QA,QA2,QB26,QD,QH,QHQ4,QH26,QJG2,QLL,QM,QMA4,QMA8,QME4,QMX2,QT,QWA4,QX,QXC9,QXS2,QXU,QX2,QX26,QX4,QX7,Q1,RD,RD4,RHC,RHQ4,RX,RX4,R1,SAJ,SAJ4,SCJ,SD,SD16,SD4,SE,SG24,SH,SHQ4,SJ,SJC,SJC1,SJC5,SJD2,SKR,SMA7,SMJ,SMW2,SM11,SM12,SM14,SSK1,SSK3,SSX2,SSX4,STP,STS,SWX2,SWX4,SX,SXS4,SX4,SX7,S1,TX,TX2,TX26,TX4,UXU,VED,VED1,VED6,VEE1,VEK,VET,VEX,VEX7,VMS4,VMT,VPR4,VSX,VSX1,VX,VXU,VX4,VX7,WDA6,WD12,WJ,WJP,WKD6,WKT2,WKT4,WKT6,WMA3,WME2,WME4,WM1,W1 |
|          | 91202-ZE6-013 | .....                   | 1         | (1) | -   | -   | -----      | 4205164 AR,DKR,DS,HHQ4,HTF2,HT2,HX,HXU,HX2,HX26,HX4,H1,KR,KRA4,KRF4,KRS4,KRT,KRT4,KRT6,LAJ4,LD,LH,LHQ4,LJ,LJC,LJD2,LJS,LSJ,LSJ4,LTJ,LTK1,LTR,LX,LXU,LX2,LX4,L1,PX,PX2,QA,QA2,QB26,QD,QH,QHQ4,QH26,QJG2,QLL,QM,QMA4,QMA8,QME4,QMX2,QT,QWA4,QX,QXC9,QXS2,QXU,QX2,QX26,QX4,QX7,Q1,RD,RD4,RHC,RHQ4,RX,RX4,R1,SAJ,SAJ4,SCJ,SD,SD16,SD4,SE,SG24,SH,SHQ4,SJ,SJC,SJC1,SJC5,SJD2,SKR,SMA7,SMJ,SMW2,SM11,SM12,SM14,SSK1,SSK3,SSX2,SSX4,STP,STS,SWX2,SWX4,SX,SXS4,SX4,SX7,S1,TX,TX2,TX26,TX4,UXU,VED,VED1,VED6,VEE1,VEK,VET,VEX,VEX7,VMS4,VMT,VPR4,VSX,VSX1,VX,VXU,VX4,VX7,WDA6,WD12,WJ,WJP,WKD6,WKT2,WKT4,WKT6,WMA3,WME2,WME4,WM1,W1 |
|          |               |                         | 1         | -   | 1   | -   | -----      | LTS,QIH1,WIH1  |

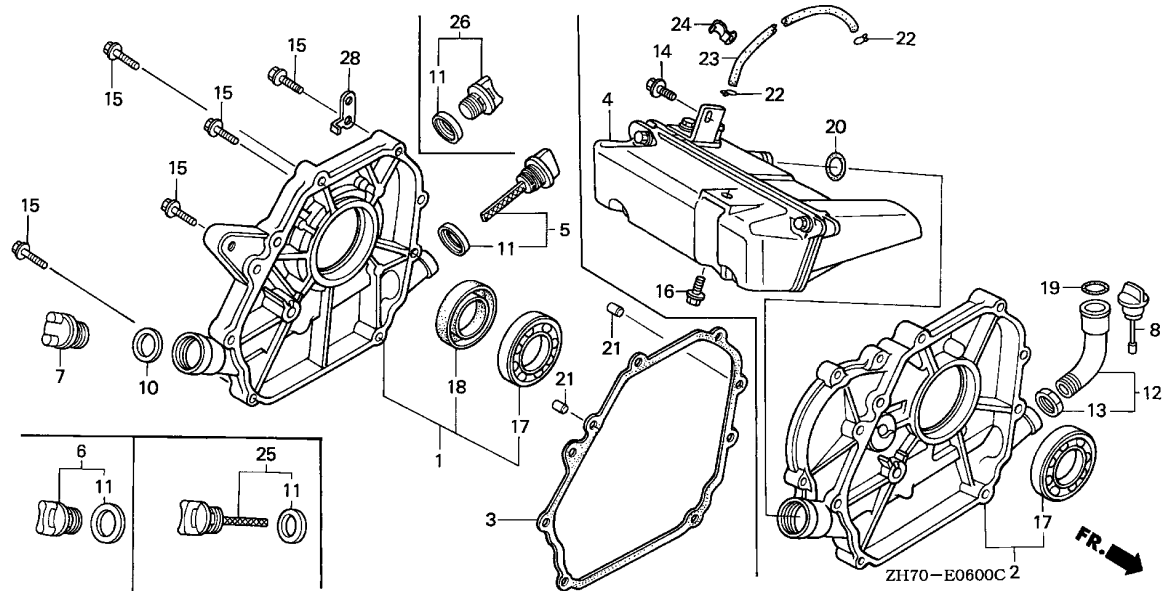
| Ref. No. | Part No.       | Description        | Reqd. QTY |                |     |     | Serial No.   | Parts catalogue code |
|----------|----------------|--------------------|-----------|----------------|-----|-----|--|----------------------|
|          |                |                    | (1)       | GX120K1<br>(2) | (3) | (4) |  |                      |
| 18       | 91353-671-004  | O-RING, 14MM(NOK)  | 1         | -              | -   | -   | ETX,HTF2,HX,HXQ,HXU,HX2,HX26,HX4,LJC,LTA,LX,LXU,LX2,LX26,LX4<br>PX,PX2,QBU2,QJW1,QLL,QMA8,QMH,QMX2,QTC2,QWA4,QX,QXC,QXC9,QXG<br>QXQ,QXS,QXS2,QXU,QX2,QX26,QX4,QX7,RX,RX4,SAD2,SG24,SJC1,SJC5<br>SMA7,SMJ,SMW2,SM12,SM14,SSX2,SSX4,SWX2,SWX4,SX,SXS4,SX4,SX7,TX<br>TX2,TX26,TX4,UX,UXU,VA,VAX4,VED1,VED6,VEE1,VEX,VEX7,VMS4,VMT<br>VPR4,VSX,VSX1,VX,VXU,VX4,VX7,WKD6,WKT2,WKT4,WKT6,WME2  |                      |
|          |                |                    | 1         | -              | -   | -   | 2564424 QXG2   |                      |
|          |                |                    | -         | (1)            | -   | -   |  |                      |
| 19       | 94050-10000    | NUT, FLANGE, 10MM  | 1         | -              | -   | -   | ETX,HTF2,HX,HXQ,HXU,HX2,HX26,HX4,LJC,LTA,LX,LXU,LX2,LX26,LX4<br>PX,PX2,QBU2,QJW1,QLL,QMA8,QMH,QMX2,QTC2,QWA4,QX,QXC,QXC9,QXG<br>QXQ,QXS,QXS2,QXU,QX2,QX26,QX4,QX7,RX,RX4,SAD2,SG24,SJC1,SJC5<br>SMA7,SMJ,SMW2,SM12,SM14,SSX2,SSX4,SWX2,SWX4,SX,SXS4,SX4,SX7,TX<br>TX2,TX26,TX4,UX,UXU,VA,VAX4,VED1,VED6,VEE1,VEX,VEX7,VMS4,VMT<br>VPR4,VSX,VSX1,VX,VXU,VX4,VX7,WKD6,WKT2,WKT4,WKT6,WME2  |                      |
|          |                |                    | 1         | -              | -   | -   | 2564424 QXG2   |                      |
|          |                |                    | -         | (1)            | -   | -   |  |                      |
| 20       | 94101-06800    | WASHER, PLAIN, 6MM | 2         | -              | -   | -   | AR,DKR,DS,EN,ET,ETX,HH,HHQ4,HTF2,HT2,HX,HXQ,HXU,HX2,HX26,HX4<br>KR,KRA4,KRF4,KRS4,KRT,KRT4,KRT6,LAJ4,LD,LDB1,LDB3,LD4,LE,LEH4<br>LH,LHQ4,LJ,LJC,LJD2,LJS,LJT,LSJ,LSJ4,LTA,LTJ,LTK1,LTR,LTS,LW2<br>LX,LXU,LX2,LX26,LX4,PH,PM,PM2,PX,PX2,QA,QAA2,QA2,QA26,QBU2,QD<br>QE,QEH,QH,QHQ4,QH2,QH26,QJG2,QJW1,QLL,QM,QMA4,QMA8,QME4,QMH<br>QMX2,QPU,QSJ,QT,QTC2,QWA4,QX,QXC,QXC9,QXG,QXG2,QXQ,QXS,QXS2<br>QXU,QX2,QX26,QX4,QX7,RD,RD4,RH,RHC,RHQ4,RX,RX4,SAD2,SAJ,SAJ4<br>SCJ,SD,SDB1,SDB3,SD16,SD4,SE,SG24,SH,SHQ4,SJ,SJC,SJC1,SJC5<br>SJD2,SKJ,SKR,SMA7,SMJ,SMW2,SM11,SM12,SM14,SN,SSK1,SSK2,SSK3<br>SSX2,SSX4,STP,STS,SWX2,SWX4,SW2,SX,SXS4,SX4,SX7,TH,TX,TX2,TX26<br>TX4,UH,UX,UXU,VA,VAX4,VED1,VED6,VEE1,VEK,VET,VEX,VEX7,VH<br>VMS4,VMT,VPR4,VS,VSX,VSX1,VS1,VX,VXU,VX4,VX7,WDA6,WDJ,WD12,WJ<br>WJP,WJP1,WJ1,WKD6,WKT2,WKT4,WKT6,WMA3,WME2,WME4,WM1 |                      |
|          |                |                    | 2         | -              | -   | -   | 3323432 QB26   |                      |
|          |                |                    | -         | 2              | 2   | 2   |  |                      |
| 21       | 94251-08000    | PIN, LOCK, 8MM     | 1         | 1              | 1   | 1   |  |                      |
| 22       | 95701-06012-00 | BOLT, FLANGE, 6X12 | 2         | -              | -   | -   | ETX,HTF2,HX,HXQ,HXU,HX2,HX26,HX4,LJC,LTA,LX,LXU,LX2,LX26,LX4<br>PX,PX2,QBU2,QJW1,QLL,QMA8,QMH,QMX2,QTC2,QWA4,QX,QXC,QXC9,QXG<br>QXQ,QXS,QXS2,QXU,QX2,QX26,QX4,QX7,RX,RX4,SAD2,SG24,SJC1,SJC5<br>SMA7,SMJ,SMW2,SM12,SM14,SSX2,SSX4,SWX2,SWX4,SX,SXS4,SX4,SX7,TX<br>TX2,TX26,TX4,UX,UXU,VA,VAX4,VED1,VED6,VEE1,VEX,VEX7,VMS4,VMT<br>VPR4,VSX,VSX1,VX,VXU,VX4,VX7,WKD6,WKT2,WKT4,WKT6,WME2  |                      |
|          |                |                    | 2         | -              | -   | -   | 2564424 QXG2   |                      |
|          |                |                    | -         | (2)            | -   | -   |  |                      |
| 23       | 68328-ZB2-000  | RUBBER, BOTTOM     | 4         | -              | -   | -   | VET  |                      |



E-6

CRANKCASE COVER

E14



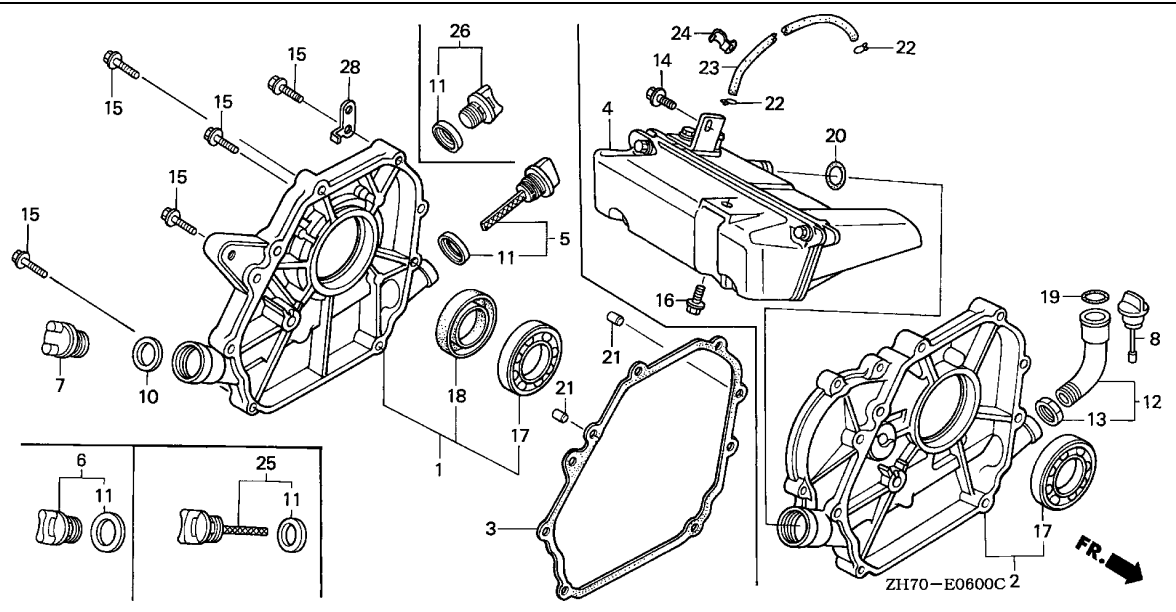
| Ref. No. | L.O.N. | (Relative ref. Number) Description                            | F.R.T. |
|----------|--------|---|--------|
| 1        |        | (2)   |        |
| 1        | 1101F1 | COVER, CRANKCASE .....  | 0.3    |
| 3        | 1101E9 | PACKING, CASE COVER .....                                     | 0.3    |
| 4        | 1171A3 | TANK, OIL .....   | 0.2    |
| 12       | 1101B9 | EXTENSION, OIL FILLER AND/OR<br>PACKING, EXTENSION OIL FILLER | 0.1    |
| 17       | 1101A6 | BEARING, CRANKSHAFT :REAR .....                               | 0.4    |
| 18       | 1101E5 | OIL SEAL, CRANKSHAFT :REAR .....                              | 0.3    |
| 23       | 1171A7 | TUBE, OIL TANK .....  | 0.1    |

| Ref. No. | Part No.      | Description                  | Reqd. QTY |     |     |     | Serial No. | Parts catalogue code   |
|----------|---------------|------------------------------|-----------|-----|-----|-----|------------|--|
|          |               |                              | (1)       | (2) | (3) | (4) |            |  |
| 1        | 11300-ZE0-000 | COVER ASSY., CRANKCASE ..... | 1         | 1   | -   | -   | 4223185    | RD, RD4, RHC, RHQ4, RX, RX4, R1, SJD2, SWX2, SWX4, VEK<br>RH, SN, SW2  |
|          | 11300-ZE0-632 | .....                        | 1         | 1   | -   | -   | 2902021    | EN, ET, ETX, HH, HHQ4, HTF2, HX, HXQ, HX2, HX26, HX4, H1, QSJ, SAD2, SAJ, SCJ<br>SD, SDB1, SDB3, SD16, SD4, SE, SG24, SH, SHQ4, SJ, SJC, SJC1, SKJ, SMA7, SMJ<br>SMW2, SSK1, SSK2, SSK3, SSSX4, STP, STS, SX, SX4, S1, VED, VED1, VET, VS, VSX<br>VSX1, VS1, WDJ, WJ, WJP, WJP1, WKT2, WMA3, WME2, W1  |
|          | 11300-ZE0-633 | .....                        | 1         | 1   | -   | -   | 2902022    | 4223185<br>HHQ4, HTF2, HX, HX2, HX26, HX4, H1, SAJ, SCJ, SD, SD16, SD4, SE, SG24, SH<br>SHQ4, SJ, SJC, SJC1, SMA7, SMJ, SMW2, SSK1, SSK3, SSSX4, STP, STS, SX, SX4<br>S1, VED, VED1, VET, VSX, VSX1, WJ, WJP, WKT2, WMA3, WME2, W1<br>WJ1  |
|          |               |                              | 1         | -   | -   | -   | 2902022    | EN, ET, ETX, HH, HXQ, QSJ, SAD2, SDB1, SDB3, SKJ, SSK2, VS, VS1, WDJ, WJP1   |
|          |               |                              | 1         | -   | -   | -   | 4223185    | HT2, HXU, SAJ4, SJC5, SKR, SM11, SM12, SM14, SSSX2, SXS4, SX7, VED6, VEE1<br>VMT, WDA6, WD12, WKD6, WKT4, WKT6, WME4, WM1  |
|          | 11300-ZE0-640 | .....                        | 1         | 1   | 1   | -   |            | PH, PM, PM2, QAA2, QA26, QBU2, QE, QEH, QH2, QJW1, QMH, QPU, QTC2, QXC, QXG<br>QXG2, QXQ, QXS, TH, UH, UIH, UX, U1, VA, VAX4, VH, V1   |
|          |               |                              | 1         | 1   | -   | -   | 4228308    | PX, PX2, QA, QA2, QB26, QD, QH, QHQ4, QH26, QJG2, QLL, QM, QMA4, QMA8, QME4<br>QMX2, QT, QWA4, QX, QXC9, QXS2, QXU, QX2, QX26, QX4, QX7, Q1, TX, TX2, TX26<br>TX4, UXU, VEX, VEX7, VMS4, VPR4, VX, VXU, VX4, VX7   |
|          |               |                              | -         | -   | -   | 1   |            |  |
|          | 11300-ZE0-010 | .....                        | 1         | 1   | -   | -   | 4223186    | RD, RD4, RHC, RHQ4, RX, RX4, R1, SJD2, SWX2, SWX4, VEK   |
|          | 11300-ZE0-634 | .....                        | 1         | 1   | -   | -   | 4223186    | HHQ4, HTF2, HT2, HX, HXU, HX2, HX26, HX4, H1, SAJ, SAJ4, SCJ, SD, SD16, SD4<br>SE, SG24, SH, SHQ4, SJ, SJC, SJC1, SJC5, SKR, SMA7, SMJ, SMW2, SM11, SM12<br>SM14, SSK1, SSK3, SSSX2, SSSX4, STP, STS, SX, SXS4, SX4, SX7, S1, VED, VED1<br>VED6, VEE1, VET, VMT, VSX, VSX1, WDA6, WD12, WJ, WJP, WKD6, WKT2, WKT4<br>WKT6, WMA3, WME2, WME4, WM1, W1 |
|          |               |                              | -         | -   | 1   | -   |            | WIH1   |

| Ref. No. | Part No.      | Description                        | Reqd. QTY |                |     |     | Serial No. | Parts catalogue code   |
|----------|---------------|------------------------------------|-----------|----------------|-----|-----|------------|--|
|          |               |                                    | (1)       | GX120K1<br>(2) | (3) | (4) |            |  |
| (1)      | 11300-ZE0-641 | COVER ASSY., CRANKCASE .....       | 1         | 1              | -   | -   | 4228309    | PX,PX2,QA,QA2,QB26,QD,QH,QHQ4,QH26,QJG2,QLL,QM,QMA4,QMA8,QME4,QMX2,QT,QWA4,QX,QXC9,QXS2,QXU,QX2,QX26,QX4,QX7,Q1,TX,TX2,TX26,TX4,UXU,VEX,VEX7,VMS4,VPR4,VX,VXU,VX4,VX7  |
|          |               |                                    | -         | -              | 1   | -   |            | QIH1   |
| 2        | 11300-ZE0-612 | COVER ASSY., CRANKCASE .....       | 1         | 1              | -   | -   |            | DS,LD,LE,LH,LJ,LW2,LX,LXU,L1   |
|          | 11300-ZE0-613 | .....                              | 1         | -              | -   | -   |            | LAJ4,LDB1,LDB3,LD4,LEH4,LHQ4,LJC,LJD2,LJS,LJT,LSJ,LSJ4,LTA,LTJ,LTK1,LTR,LTS,LX2,LX26,LX4   |
|          | 11300-ZK7-V00 | .....                              | 1         | -              | -   | -   |            | AR,DKR,KR,KRA4,KRF4,KRS4   |
|          | 11300-ZK7-V20 | .....                              | 1         | -              | -   | -   |            | KRT,KRT4   |
|          | 11300-ZK7-W20 | .....                              | 1         | -              | -   | -   |            | KRT6   |
| 3        | 11381-ZE0-000 | PACKING, CASE COVER .....          | 1         | -              | -   | -   |            | HH,HX,HXU,LD,LE,LH,LX,LXU,PH,PX,QD,QE,QH,QX,QXU,RD,RH,RX,SD,SE,SH,SX,TH,UH,UX,UXU,VA,VED,VED1,VH,VS,VSX,VXU  |
|          |               |                                    | 1         | -              | -   | -   | 2272434    | DS,EN,ET,ETX,LJ,LTA,QSJ,SJ,SKJ,SMJ,STS,VET,WJ  |
|          |               |                                    | -         | 1              | -   | -   | 2272434    |  |
|          | 11381-ZH7-800 | .....                              | 1         | -              | -   | -   |            | HHQ4,HTF2,HT2,HX,HXQ,HX2,HX26,HX4,KRT,KRT4,LAJ4,LD,LDB1,LDB3,LD4,LEH4,LHQ4,LJC,LJD2,LJS,LJT,LSJ,LSJ4,LTK1,LTR,LTS,LW2,LX,LX2,LX26,LX4,PH,PM,PM2,PX,PX2,QA,QAA2,QA2,QA26,QBU2,QB26,QD,QEH,QHQ4,QH2,QH26,QJG2,QJW1,QLL,QM,QMA4,QMA8,QME4,QMH,QMX2,QPU,QT,QTC2,QWA4,QX,QXC,QXC9,QXG,QXG2,QXQ,QXS,QXS2,QX2,QX26,QX4,QX7,RD,RD4,RHC,RHQ4,RX,RX4,SAD2,SAJ,SAJ4,SCJ,SD,SDB1,SDB3,SD16,SD4,SG24,SHQ4,SJC,SJC1,SJC5,SJD2,SKR,SMA7,SMW2,SM11,SM12,SM14,SN,SSK1,SSK2,SSK3,SSX2,SSX4,STP,SWX2,SWX4,SW2,SX,SXS4,SX4,SX7,TH,TX,TX2,TX26,TX4,UH,UX,VAX4,VED6,VEE1,VEK,VEX,VEX7,VH,VMS4,VMT,VPR4,VSX1,VS1,VX,VX4,VX7,WDA6,WDJ,WD12,WJP,WJP1,WJ1,WKD6,WKT2,WKT4,WKT6,WMA3,WME2,WME4,WM1 |
|          |               |                                    | 1         | -              | -   | -   | 2272435    | DS,EN,ET,ETX,LJ,LTA,QSJ,SJ,SKJ,SMJ,STS,VET,WJ  |
|          |               |                                    | -         | 1              | -   | -   | 2272435    |  |
|          |               |                                    | -         | -              | 1   | 1   |            |  |
|          | 11381-ZK7-V00 | .....                              | 1         | -              | -   | -   |            | AR,DKR,KR,KRA4,KRF4,KRS4   |
|          | 11381-ZK7-W20 | .....                              | 1         | -              | -   | -   |            | KRT6   |
| 4        | 15500-ZK7-V00 | TANK ASSY., OIL .....              | 1         | -              | -   | -   |            | AR,DKR,KR,KRA4,KRF4,KRS4,KRT,KRT4,KRT6   |
| 5        | 15600-ZE1-000 | CAP ASSY., OIL FILLER (GRAY) ..... | 1         | 1              | -   | -   | 2354642    | EN,ET,ETX,HH,H1,LD,LE,LH,LX,L1,PH,PX,QD,QE,QEH,QH,Q1,RD,RH,RHC,RX,R1,SD,SE,SH,SX,S1,TH,UH,UX,VA,VED,VED1,VEX,VH,VS,VSX,VSX1,VS1,VX,V1,W1   |
|          |               |                                    | 1         | -              | -   | -   | 2345619    | QPU  |
|          |               |                                    | 1         | -              | -   | -   | 2354519    | HX,HXQ,HX2,LX2,QA,QA2,QH2,QX,QXC,QXG,QXG2,QXQ,QXS,QXS2,QX2,TX,TX2  |
|          |               |                                    | 1         | -              | -   | -   | 2899521    | DS,LJ,LTJ,QSJ,SJ,SKJ,SMJ,STS,VET,WJ  |
|          |               |                                    | -         | 1              | -   | -   |            | U1   |
|          | 15600-ZE1-003 | .....                              | 1         | 1              | -   | -   | 2354643    | EN,ET,ETX,HH,H1,LD,LE,LH,LX,L1,PH,PX,QD,QE,QEH,QH,Q1,RD,RH,RHC,RX,R1,SD,SE,SH,SX,S1,TH,UH,UX,VA,VED,VED1,VEX,VH,VS,VSX,VSX1,VS1,VX,V1,W1   |
|          |               |                                    | 1         | -              | -   | -   |            | AR,DKR,HHQ4,HTF2,HT2,HXU,HX26,HX4,KR,KRA4,KRF4,KRS4,KRT,KRT4,KRT6,LAJ4,LDB1,LDB3,LD4,LEH4,LHQ4,LJC,LJS,LJT,LSJ,LSJ4,LTK1,LTR,LTS,LXU,LX26,LX4,PX2,QAA2,QA26,QBU2,QB26,QHQ4,QH26,QJG2,QJW1,QLL,QMA4,QMA8,QME4,QMH,QMX2,QTC2,QWA4,QXC9,QXU,QX26,QX4,QX7,RD4,RHQ4,RX4,SAD2,SAJ,SAJ4,SCJ,SDB1,SDB3,SD16,SD4,SG24,SHQ4,SJC,SJC1,SJC5,SKR,SMA7,SMW2,SM11,SM12,SM14,SSK1,SSK2,SSK3,SSX2,SSX4,STP,SXS4,SX4,SX7,TX26,TX4,UXU,VAX4,VED6,VEE1,VEK,VEX7,VMS4,VMT,VPR4,VXU,VX4,VX7,WDA6,WDJ,WD12,WJP,WJP1,WJ1,WKD6,WKT2,WKT4,WKT6,WMA3,WME2,WME4,WM1  |
|          |               |                                    | 1         | -              | -   | -   | 2345620    | QPU  |
|          |               |                                    | 1         | -              | -   | -   | 2354520    | HX,HXQ,HX2,LX2,QA,QA2,QH2,QX,QXC,QXG,QXG2,QXQ,QXS,QXS2,QX2,TX,TX2  |
|          |               |                                    | 1         | -              | -   | -   | 2899522    | DS,LJ,LTJ,QSJ,SJ,SKJ,SMJ,STS,VET,WJ  |
|          |               |                                    | -         | -              | -   | 1   |            |  |
|          | 15600-ZF0-000 | CAP ASSY., OIL FILLER .....        | 1         | -              | -   | -   | 2354642    | LW2,PM,PM2,QM,QT,SN,SW2  |





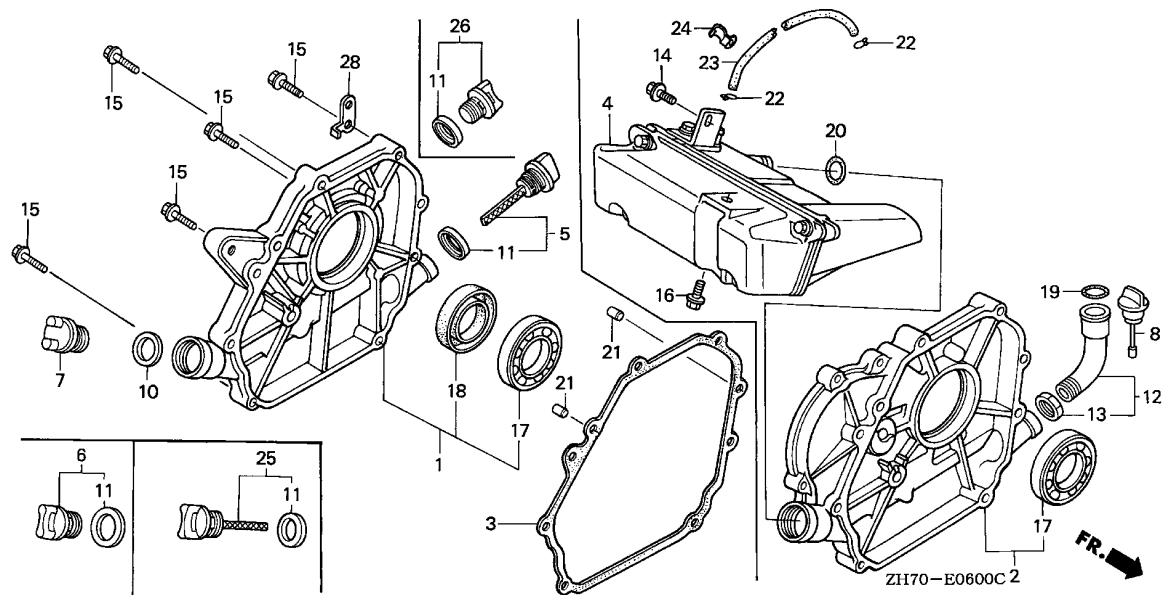


| Ref. No. | Part No.      | Description                    | Reqd. QTY |     |     |     | Serial No. | Parts catalogue code   |
|----------|---------------|--------------------------------|-----------|-----|-----|-----|------------|--|
|          |               |                                | (1)       | (2) | (3) | (4) |            |  |
| (5)      | 15600-ZF0-003 | CAP ASSY., OIL FILLER .....    | 1         | -   | -   | -   | 2354643    | LW2,PM,PM2,QM,QT,SN,SW2  |
|          | 15600-ZK7-U21 | CAP ASSY., OIL FILLER (YELLOW) | 1         | -   | -   | -   |            | LJD2,SJD2  |
|          | 15600-ZE1-003 | CAP ASSY., OIL FILLER (GRAY)   | 1         | -   | -   | -   |            | LJD2,SJD2  |
| 6        | 15600-ZG4-003 | CAP ASSY., OIL FILLER .....    | 1         | 1   | -   | -   | 2354643    | EN,ET,ETX,HH,H1,LD,LE,LH,LW2,LX,L1,PH,PM,PM2,PX,QD,QE,QEH,QH,QM,QT,Q1,RD,RH,RHC,RX,R1,SD,SE,SH,SN,SW2,SX,S1,TH,UH,UX,VA,VED,VED1,VEX,VH,VS,VSX,VSX1,VS1,VX,V1,W1   |
|          |               |                                | 1         | -   | -   | -   |            | HHQ4,HTF2,HT2,HXU,HX26,HX4,LAJ4,LDB1,LDB3,LD4,LEH4,LHQ4,LJC,LJD2,LJS,LJT,LSJ,LSJ4,LTK1,LTR,LTS,LXU,LX26,LX4,PX2,QAA2,QA26,QBU2,QB26,QHQ4,QH26,QJG2,QJW1,QLL,QMA4,QMA8,QME4,QMH,QMX2,QTC2,QWA4,QXC9,QXU,QX26,QX4,QX7,RD4,RHQ4,RX4,SAD2,SAJ,SAJ4,SCJ,SDB1,SDB3,SD16,SD4,SG24,SHQ4,SJC,SJC1,SJC5,SJD2,SKR,SMA7,SMW2,SM11,SM12,SM14,SSK1,SSK2,SSK3,SSX2,SSX4,STP,SXS4, SX4, SX7, TX26, TX4, UXU, VAX4, VED6, VEE1, VEK, VEX7, VMS4, VMT, VPR4, VXU, VX4, VX7, WDA6, WDJ, WD12, WJP, WJP1, WJ1, WKD6, WKT2, WKT4, WKT6, WMA3, WME2, WME4, WM1 |
|          |               |                                | 1         | -   | -   | -   | 2345620    | QPU  |
|          |               |                                | 1         | -   | -   | -   | 2354520    | DS,HX,HXQ,HX2,LJ,LTA,LTJ,LX2,QA,QA2,QH2,QSJ,QX,QXC,QXG,QXG2,QXQ,QXS,QXS2,QX2,SJ,SKJ,STS, TX, TX2, VET, WJ  |
| 7        | 15620-ZG4-910 | CAP, OIL FILLER .....          | 1         | 1   | -   | -   | 2354642    | EN,ET,ETX,HH,H1,LD,LE,LH,LW2,LX,L1,PH,PM,PM2,PX,QD,QE,QEH,QH,QM,QT,Q1,RD,RH,RHC,RX,R1,SD,SE,SH,SN,SW2,SX,S1,TH,UH,UX,VA,VED,VED1,VEX,VH,VS,VSX,VSX1,VS1,VX,V1,W1   |
|          |               |                                | 1         | -   | -   | -   | 2345619    | QPU  |
|          |               |                                | 1         | -   | -   | -   | 2354519    | DS,HX,HXQ,HX2,LJ,LTA,LTJ,LX2,QA,QA2,QH2,QSJ,QX,QXC,QXG,QXG2,QXQ,QXS,QXS2,QX2,SJ,SKJ,STS, TX, TX2, VET, WJ  |
| 8        | 15620-ZH7-V90 | GAUGE COMP., OIL LEVEL (TAC)   | 1         | -   | -   | -   |            | U1   |
|          |               |                                | 1         | -   | -   | -   |            | LTA  |

2

| Ref. No. | Part No.      | Description                   | Reqd. QTY |                |     |     | Serial No. | Parts catalogue code   |
|----------|---------------|-------------------------------|-----------|----------------|-----|-----|------------|--|
|          |               |                               | (1)       | GX120K1<br>(2) | (3) | (4) |            |  |
| 10       | 15621-896-010 | PACKING, OIL FILLER CAP ..... | 1         | 1              | -   | -   | 2354642    | EN,ET,ETX,HH,H1,LD,LE,LH,LW2,LX,L1,PH,PM,PM2,PX,QD,QE,QEH,QH<br>QM,QT,Q1,RD,RH,RHC,RX,R1,SD,SE,SH,SN,SW2,SX,S1,TH,UH,UX,VA,VED<br>VED1,VEX,VH,VS,VSX,VSX1,VS1,VX,V1,W1   |
|          |               |                               | 1         | -              | -   | -   | 2345619    | QPU  |
|          |               |                               | 1         | -              | -   | -   | 2354519    | DS,HX,HXQ,HX2,LJ,LTA,LTJ,LX2,QA,QA2,QH2,QSJ,QX,QXC,QXG,QXG2<br>QXQ,QXS,QXS2,QX2,SJ,SKJ,STS,TX,TX2,VET,WJ   |
|          |               |                               | -         | 1              | -   | -   | -----      | U1   |
| 11       | 15625-ZE1-000 | PACKING, OIL FILLER CAP ..... | 1         | 1              | -   | -   | 2354642    | EN,ET,ETX,HH,H1,LD,LE,LH,LW2,LX,L1,PH,PM,PM2,PX,QD,QE,QEH,QH<br>QM,QT,Q1,RD,RH,RHC,RX,R1,SD,SE,SH,SN,SW2,SX,S1,TH,UH,UX,VA,VED<br>VED1,VEX,VH,VS,VSX,VSX1,VS1,VX,V1,W1   |
|          |               |                               | 1         | -              | -   | -   | 2345619    | QPU  |
|          |               |                               | 1         | -              | -   | -   | 2354519    | DS,HX,HXQ,HX2,LJ,LTJ,LX2,QA,QA2,QH2,QSJ,QX,QXC,QXG,QXG2,QXQ<br>QXS,QXS2,QX2,SJ,SKJ,STS,TX,TX2,VET,WJ   |
|          |               |                               | 2         | -              | -   | -   | 2354519    | SMJ  |
|          |               |                               | -         | 1              | -   | -   | -----      | U1   |
|          | 15625-ZE1-003 | .....                         | 1         | -              | -   | -   | -----      | AR,DKR,KR,KRA4,KRF4,KRS4,KRT,KRT4,KRT6   |
|          |               |                               | 2         | 2              | -   | -   | 2354643    | EN,ET,ETX,HH,H1,LD,LE,LH,LW2,LX,L1,PH,PM,PM2,PX,QD,QE,QEH,QH<br>QM,QT,Q1,RD,RH,RHC,RX,R1,SD,SE,SH,SN,SW2,SX,S1,TH,UH,UX,VA,VED<br>VED1,VEX,VH,VS,VSX,VSX1,VS1,VX,V1,W1   |
|          |               |                               | 2         | -              | -   | -   | -----      | HHQ4,HTF2,HT2,HXU,HX26,HX4,LAJ4,LDB1,LDB3,LD4,LEH4,LHQ4,LJC<br>LJD2,LJS,LJT,LSJ,LSJ4,LTK1,LTR,LTS,LXU,LX26,LX4,PX2,QAA2,QA26<br>QBU2,QB26,QHQ4,QH26,QJG2,QJW1,QLL,QMA4,QMA8,QME4,QMH,QMX2,QTC2<br>QWA4,QXC9,QXU,QX26,QX4,QX7,RD4,RHQ4,RX4,SAD2,SAJ,SAJ4,SCJ,SDB1<br>SDB3,SD16,SD4,SG24,SHQ4,SJC,SJC1,SJC5,SJD2,SKR,SMA7,SMW2,SM11<br>SM12,SM14,SSK1,SSK2,SSK3,SSX2,SSX4,STP,SWX2,SWX4,SXS4,SX4,SX7<br>TX26,TX4,UXU,VAX4,VED6,VEE1,VEK,VEX7,VMS4,VMT,VPR4,VXU,VX4,VX7<br>WDA6,WDJ,WD12,WJP,WJP1,WJ1,WKD6,WKT2,WKT4,WKT6,WMA3,WME2,WME4<br>WM1 |
|          |               |                               | 2         | -              | -   | -   | 2345620    | QPU  |
|          |               |                               | 2         | -              | -   | -   | 2354520    | DS,HX,HXQ,HX2,LJ,LTA,LTJ,LX2,QA,QA2,QH2,QSJ,QX,QXC,QXG,QXG2<br>QXQ,QXS,QXS2,QX2,SJ,SKJ,SMJ,STS,TX,TX2,VET,WJ   |
|          |               |                               | -         | -              | 2   | 2   | -----      |  |
| 12       | 15632-883-630 | PIPE COMP., OIL .....         | 1         | -              | -   | -   | -----      | LTA  |
| 13       | 90011-883-630 | NUT, OIL FILLER .....         | 1         | -              | -   | -   | -----      | LTA  |
| 14       | 90014-952-000 | BOLT, FLANGE, 6X14(CT200) ... | 1         | -              | -   | -   | -----      | AR,DKR,KR,KRA4,KRF4,KRS4,KRT,KRT4,KRT6   |
| 15       | 90015-883-000 | BOLT, FLANGE, 6X28 .....      | 7         | 7              | -   | -   | -----      |  |
| 16       | 90029-888-000 | BOLT, FLANGE, 6X16(CT200) ... | 1         | -              | -   | -   | -----      | AR,DKR,KR,KRA4,KRF4,KRS4,KRT,KRT4,KRT6   |
| 17       | 91001-878-003 | BEARING, RADIAL BALL, 62/22 . | 1         | 1              | 1   | 1   | -----      |  |
| 18       | 91203-ZE0-003 | OIL SEAL, 22X41X6 .....       | 1         | 1              | 1   | -   | -----      | EN,ET,ETX,HH,HXQ,PH,PM,PM2,QAA2,QA26,QBU2,QE,QEH,QH2,QJW1,QMH<br>QPU,QSJ,QTC2,QXC,QXG,QXG2,QXQ,QXS,RH,SAD2,SDB1,SDB3,SKJ,SN<br>SSK2,SW2,TH,UH,UIH,UX,U1,VA,VAX4,VH,VS,VS1,V1,WDJ,WJP1,WJ1  |
|          |               |                               | 1         | 1              | -   | -   | 4223185    | HHQ4,HTF2,HT2,HX,HXU,HX2,HX26,HX4,H1,RD,RD4,RHC,RHQ4,RX,RX4,R1<br>SAJ,SAJ4,SCJ,SD,SD16,SD4,SE,SG24,SH,SHQ4,SJ,SJC,SJC1,SJC5,SJD2<br>SKR,SMA7,SMJ,SMW2,SM11,SM12,SM14,SSK1,SSK3,SSX2,SSX4,STP,STS<br>SWX2,SWX4,SX,SXS4,SX4,SX7,S1,VED,VED1,VED6,VEE1,VEK,VET,VMT<br>VSX,VSX1,WDA6,WD12,WJ,WJP,WKD6,WKT2,WKT4,WKT6,WMA3,WME2,WME4<br>WM1,W1  |
|          |               |                               | 1         | 1              | -   | -   | 4228308    | PX,PX2,QA,QA2,QB26,QD,QH,QHQ4,QH26,QJG2,QLL,QM,QMA4,QMA8,QME4<br>QMX2,QT,QWA4,QX,QXC9,QXS2,QXU,QX2,QX26,QX4,QX7,Q1,TX,TX2,TX26<br>TX4,UXU,VEX,VEX7,VMS4,VPR4,VX,VXU,VX4,VX7  |
|          |               |                               | -         | -              | -   | 1   | -----      |  |



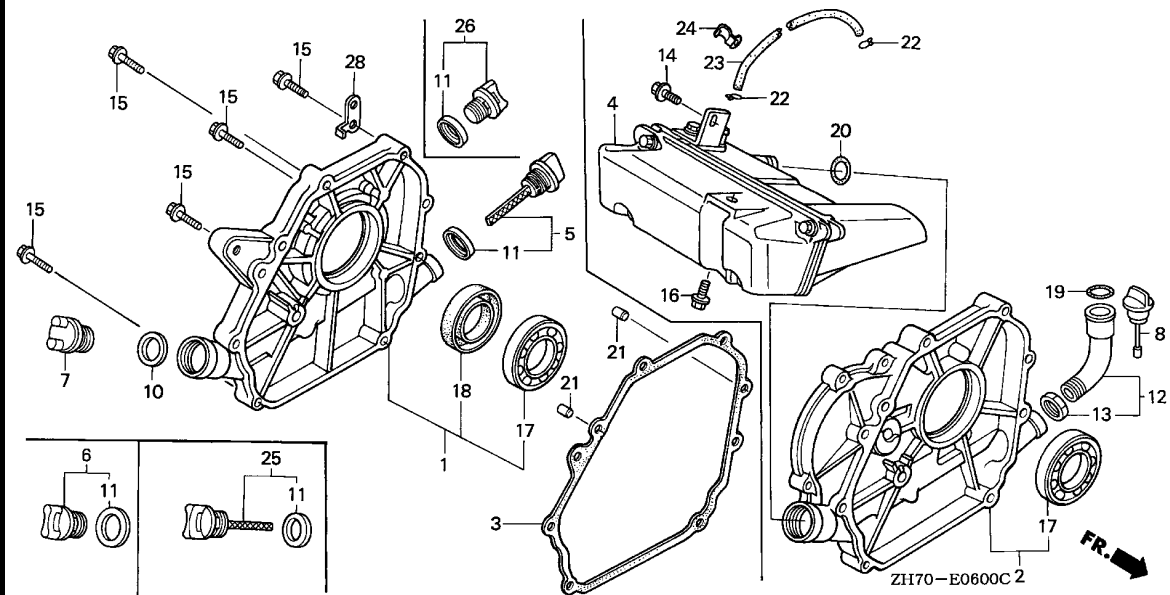


| Ref. No. | Part No.      | Description             | Reqd. QTY                     |     |     |     | Serial No. | Parts catalogue code   |
|----------|---------------|-------------------------|-------------------------------|-----|-----|-----|------------|--|
|          |               |                         | (1)                           | (2) | (3) | (4) |            |  |
| 18)      | 91203-ZE0-013 | OIL SEAL, 22X41X6 ..... | 1                             | 1   | -   | -   | 4223186    | HHQ4,HTF2,HT2,HX,HXU,HX2,HX26,HX4,H1,RD,RD4,RHC,RHQ4,RX,RX4,R1SAJ,SAJ4,SCJ,SD,SD16,SD4,SE,SG24,SH,SHQ4,SJ,SJC,SJC1,SJC5,SJD2SKR,SMA7,SMJ,SMW2,SM11,SM12,SM14,SSK1,SSK3,SSX2,SSX4,STP,STS,SWX2,SWX4,SX,SXS4,SX4,SX7,S1,VED,VED1,VED6,VEE1,VEK,VET,VMT,VSX,VSX1,WDA6,WD12,WJ,WJP,WKD6,WKT2,WKT4,WKT6,WMA3,WME2,WME4,WM1,W1   |
|          |               |                         | 1                             | 1   | -   | -   | 4228309    | PX,PX2,QA,QA2,QB26,QD,QH,QHQ4,QH26,QJG2,QLL,QM,QMA4,QMA8,QME4,QMX2,QT,QWA4,QX,QXC9,QXS2,QXU,QX2,QX26,QX4,QX7,Q1,TX,TX2,TX26,UXU,VEX,VEX7,VMS4,VPR4,VX,VXU,VX4,VX7  |
|          |               |                         | -                             | -   | 1   | -   | -          | QIH1,WIH1  |
|          | 19            | 91303-800-000           | O-RING, 16MM .....            | 1   | -   | -   | -          | LTA  |
|          | 20            | 91304-MJ0-003           | O-RING, 15.8X2.4(SHOWA) ..... | 1   | -   | -   | -          | AR,DKR,KR,KRA4,KRF4,KRS4,KRT,KRT4,KRT6   |
|          | 21            | 94301-08140             | DOWEL PIN, 8X14 .....         | 2   | -   | -   | -          | DS,EN,ET,ETX,HH,HHQ4,HTF2,HT2,HX,HXQ,HXU,HX2,HX26,HX4,KRT,KRT4,KRT6,LAJ4,LD,LDB1,LDB3,LD4,LE,LEH4,LH,LHQ4,LJ,LJC,LJD2,LJS,LJT,LSJ,LSJ4,LTA,LTJ,LTK1,LTR,LTS,LW2,LX,LXU,LX2,LX26,LX4,PH,PM,PM2,PX,PX2,QA,QAA2,QA2,QA26,QBU2,QB26,QD,QE,QEH,QH,QHQ4,QH2,QH26,QJG2,QJW1,QLL,QM,QMA4,QMA8,QME4,QMH,QMX2,QPU,QSJ,QT,QTC2,QWA4,QX,QXC,QXC9,QXG,QXG2,QXQ,QXS,QXS2,QXU,QX2,QX26,QX4,QX7,RD,RD4,RH,RHC,RHQ4,RX,RX4,SAD2,SAJ,SAJ4,SCJ,SD,SDB1,SDB3,SD16,SD4,SE,SG24,SH,SHQ4,SJ,SJC,SJC1,SJC5,SJD2,SKJ,SKR,SMA7,SMJ,SMW2,SM11,SM12,SM14,SN,SSK1,SSK2,SSK3,SSX2,SSX4,STP,STS,SWX2,SWX4,SW2,SX,SXS4,SX4,SX7,TH,TX,TX2,TX26,TX4,UH,UX,UXU,VA,VAX4,VED,VED1,VED6,VEE1,VEK,VET,VEX,VEX7,VH,VMS4,VMT,VPR4,VS,VSX,VSX1,VS1,VX,VXU,VX4,VX7,WDA6,WDJ,WD12,WJ,WJP,WJP1,WJ1,WKD6,WKT2,WKT4,WKT6,WMA3,WME2,WME4,WM1 |
|          |               |                         | -                             | 2   | 2   | 2   | -          | AR,DKR,KR,KRA4,KRF4,KRS4   |
|          | 94303-08140   | .....                   | 2                             | -   | -   | -   | -          | AR,DKR,KR,KRA4,KRF4,KRS4,KRT,KRT4,KRT6   |
|          | 22            | 95002-02070             | CLIP, TUBE (B7) .....         | 2   | -   | -   | -          | AR,DKR,KR,KRA4,KRF4,KRS4,KRT,KRT4,KRT6   |

E-6

CRANKCASE COVER

F 3



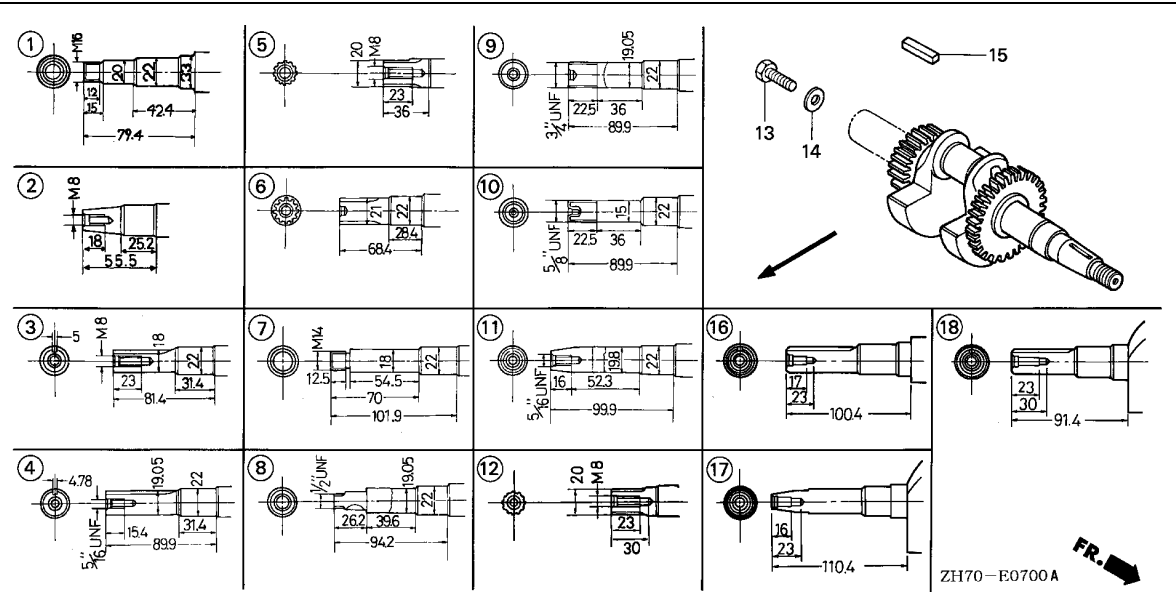
| Ref. No. | Part No.       | Description                    | Reqd. QTY |     |     |         | Serial No.                             | Parts catalogue code |
|----------|----------------|--------------------------------|-----------|-----|-----|---------|--|----------------------|
|          |                |                                | (1)       | (2) | (3) | (4)     |  |                      |
|          |                |                                | GX120K1   |     |     |         |  |                      |
| 23       | 95005-35150-10 | TUBE, 3.5X150(95005-35001-10M) | 1         | -   | -   | -       | AR,DKR,KR,KRA4,KRF4,KRS4,KRT,KRT4,KRT6 |                      |
| 24       | 35210-MA6-000  | CLAMP, SWITCH CORD             | 1         | -   | -   | -       | KRT4                                   |                      |
| 25       | 15600-ZE1-000  | CAP ASSY., OIL FILLER (GRAY)   | 1         | -   | -   | 2899521 | SMJ                                    |                      |
|          | 15600-ZE1-003  |                                | 1         | -   | -   | -       | SWX2,SWX4                              |                      |
|          |                |                                | 1         | -   | -   | 2899522 | SMJ                                    |                      |
| 26       | 15600-ZG4-003  | CAP ASSY., OIL FILLER          | 1         | -   | -   | -       | SWX2,SWX4                              |                      |
| 28       | 32302-734-K50  | STAY, CORD CLIP (B)            | 1         | -   | -   | -       | VEK                                    |                      |

2

E-7

CRANKSHAFT

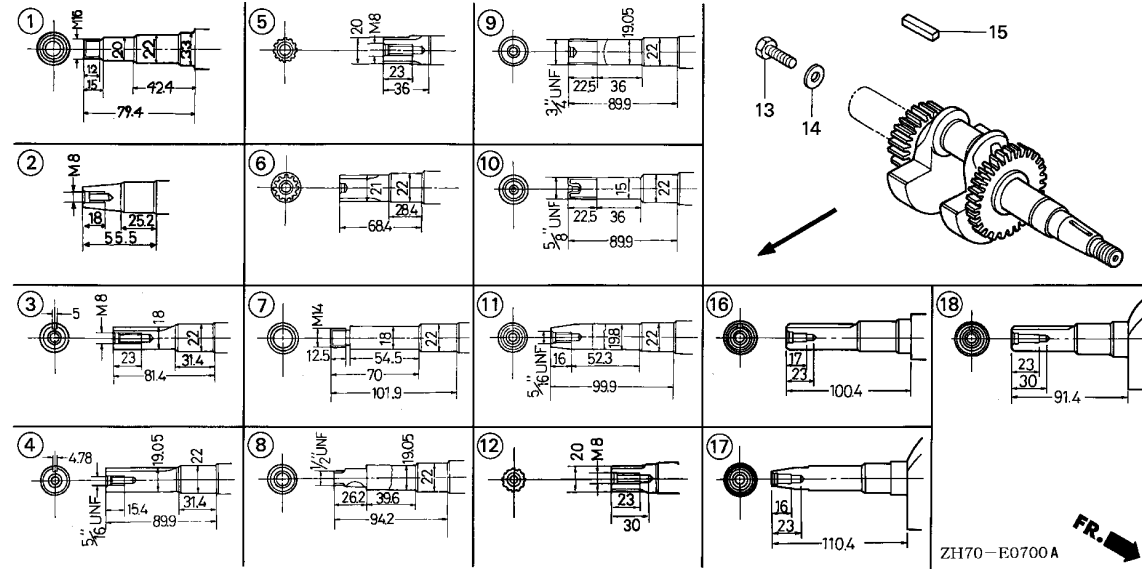
F 4



| Ref. No. | L.O.N.                              | (Relative ref. Number) Description | F.R.T. |
|----------|-------------------------------------|------------------------------------|--------|
| 1        | (2,3,4,5,6,7,8,9,10,11,12,16,17,18) | 1101F0 CRANKSHAFT                  | 1.1    |

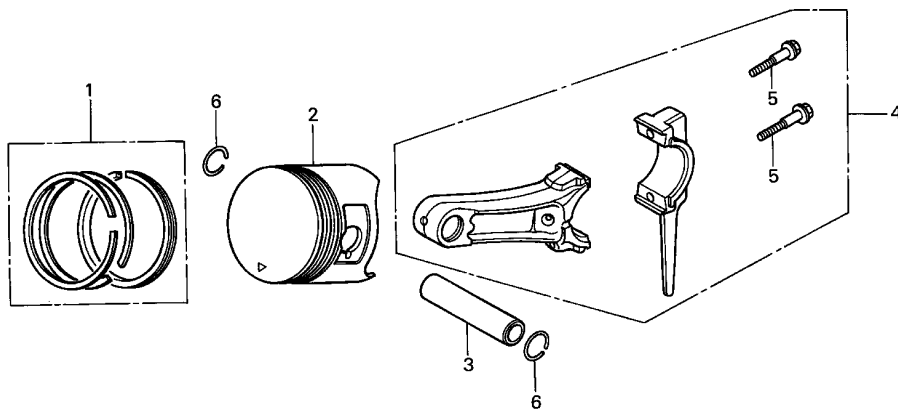
2

| Ref. No. | Part No.                       | Description       | Reqd. QTY |        |        |        | Serial No.  | Parts catalogue code |
|----------|--------------------------------|-------------------|-----------|--------|--------|--------|---|----------------------|
|          |                                |                   | (1)       | (2)    | (3)    | (4)    |   |                      |
| 1        | 13310-YB3-010                  | CRANKSHAFT COMP.  | 1         | -      | 1      | -      | WIH1,WJP,WJP1,WME2,WME4   |                      |
| 2        | 13310-ZB0-000                  | CRANKSHAFT COMP.  | 1         | -      | -      | -      | EN,ET,ETX,VED,VED1,VED6,VEE1,VEK,VET,VMT  |                      |
| 3        | 13310-ZE0-000                  | CRANKSHAFT COMP.  | 1         | 1      | -      | -      | RD,RD4,RH,RHC,RHQ4,RX,RX4,R1,SAD2,SAJ,SAJ4,SCJ,SD,SDB1,SDB3,SD16,SD4,SE,SG24,SH,SHQ4,SJ,SJC,SJC1,SJC5,SJD2,SKJ,SKR,SMA7,SMJ,SMW2,SM11,SM12,SM14,SN,SSK1,SSK2,SSK3,SSX2,SSX4,STP,STS,SWX2,SWX4,SW2,SW,SWX4,SWX4,S1 |                      |
| 4        | 13310-ZE0-601                  | CRANKSHAFT COMP.  | 1         | 1      | 1      | -      | QA,QA2,QA2,QA26,QBU2,QB26,QD,QE,QEH,QH,QHQ4,QH2,QH26,QIH1,QJG2,QJW1,QLL,QM,QMA4,QMA8,QME4,QMH,QMX2,QPU,QSJ,QT,QT2,QWA4,QX,QXC,QXC9,QXG,QXG2,QXQ,QXS,QXS2,QXU,QX2,QX26,QX4,Q1                                      |                      |
| 5        | 13310-ZE0-610                  | CRANKSHAFT COMP.  | 1         | 1      | -      | -      | DS,KRT,KRT4,KRT6,LAJ4,LD,LDB1,LDB3,LD4,LE,LEH4,LH,LHQ4,LJ,LJC,LJD2,LJS,LJT,LSJ,LSJ4,LT,LTJ,LTJ1,LTR,LTS,LW2,LX,LXU,LX2,LX26,LX4,L1  |                      |
| 6        | 13310-ZE0-621<br>13310-ZE0-622 | CRANKSHAFT COMP.  | 1<br>1    | 1<br>1 | -<br>- | -<br>- | 2774250 HH,HHQ4,HTF2,HX,HXQ,HX2,HX26,HX4,H1<br>2774251 HH,HHQ4,HTF2,HX,HXQ,HX2,HX26,HX4,H1  |                      |
| 7        | 13310-ZE0-631                  | CRANKSHAFT COMP.  | 1         | 1      | -      | -      | HT2,HXU   |                      |
| 8        | 13310-ZE0-641                  | CRANKSHAFT COMP.  | 1         | 1      | 1      | -      | WDA6,WDJ,WD12,WJ,WJ1,WKD6,WKT2,WKT4,WKT6,WMA3,WM1,W1  |                      |
| 9        | 13310-ZE0-650                  | CRANKSHAFT COMP.  | 1         | -      | -      | -      | UH,U1H,UX,UXU,U1  |                      |
| 10       | 13310-ZE0-660                  | CRANKSHAFT COMP.  | 1         | -      | -      | -      | PH,PM,PM2,PX,PX2  |                      |
|          |                                |                   | -         | -      | -      | 1      | TH,TX,TX2,TX26,TX4  |                      |
| 11       | 13310-ZE0-670                  | CRANKSHAFT COMP.  | 1         | 1      | -      | -      | VA,VAX4,VEX,VH,VMS4,VPR4,VS,VSX,VSX1,VS1,VX,VXU,VX4,V1  |                      |
| 12       | 13310-ZK7-V00                  | CRANKSHAFT COMP.  | 1         | -      | -      | -      | AR,DKR,KR,KRA4,KRF4,KRS4  |                      |
| 13       | 90003-ZE1-000                  | BOLT, HEX., 5/16" | 1         | (1)    | -      | -      | QSJ,Q1,V1   |                      |
|          |                                |                   | (1)       | -      | -      | -      | QT  |                      |
|          | 92000-08025-0A                 | BOLT, HEX., 8X25  | 1         | (1)    | -      | -      | LJ,L1,R1,SJ,SMJ,SN,STS,S1   |                      |



| Ref. No. | Part No.       | Description         | Reqd. QTY |     |     |         | Serial No.  | Parts catalogue code |
|----------|----------------|---------------------|-----------|-----|-----|---------|---|----------------------|
|          |                |                     | (1)       | (2) | (3) | (4)     |   |                      |
| 13)      | 92101-08025-0A | BOLT, HEX., 8X25    | 1         | -   | 1   | -       | LAJ4, LJC, LJS, LJT, LSJ, LSJ4, LTA, LTJ, LTK1, LTR, LTS, RHC, SAJ, SAJ4, SCJ, SJC, SJC1, SJC5, SKJ, SKR, SMW2, SM11, SM12, SM14, SSK1, SSK2, SSK3, SSK4, STP, WIH1   |                      |
| 14       | 90473-842-000  | WASHER, 8MM         | 1         | (1) | 1   | -       | LAJ4, LJ, LJC, LJS, LJT, LSJ, LSJ4, LTJ, LTK1, LTR, LTS, L1, QIH1, QSJ, QT, Q1, RHC, R1, SAJ, SAJ4, SCJ, SJ, SJC, SJC1, SJC5, SKJ, SKR, SMJ, SMW2, SM11, SM12, SM14, SN, SSK1, SSK2, SSK3, SSK4, STP, STS, S1, V1, WIH1                 |                      |
| 15       | 90741-883-810  | KEY, 5X5X33(YELLOW) | 1         | (1) | 1   | -       | KRT, KRT6, LSJ, LTR, LTS, RD, SAD2, SAJ, SAJ4, SCJ, SD, SDB1, SDB3, SD16, SD4, SE, SH, SHQ4, SJ, SJC, SJC1, SJC5, SJD2, SKJ, SKR, SMA7, SMJ, SM11, SM12, SM14, SN, SSK1, SSK3, SSK4, STP, STS, SWX2, SWX4, SX, SXS4, SX4, SX7, S1, WIH1 |                      |
|          | 90745-ZE1-600  | KEY, 4.78X4.78X38   | 1         | (1) | 1   | -       | QA, QAA2, QA2, QA26, QBU2, QD, QE, QIH1, QJG2, QJW1, QLL, QMA4, QMA8, QMH, QPU, QSJ, QT, QTC2, QWA4, QX, QXC, QXC9, QXG, QXG2, QXQ, QXS, QXS2, QXU, QX2, QX26, QX4, QX7, Q1   |                      |
|          |                |                     | 1         | -   | -   | 2304978 | QEH   |                      |
| 16       | 13310-ZK7-600  | CRANKSHAFT COMP.    | 1         | -   | -   | -       | QX7   |                      |
| 17       | 13310-ZK7-670  | CRANKSHAFT COMP.    | 1         | -   | -   | -       | VEX7, VX7   |                      |
| 18       | 13310-ZK7-880  | CRANKSHAFT COMP.    | 1         | -   | -   | -       | SX7   |                      |





ZH70-E0800

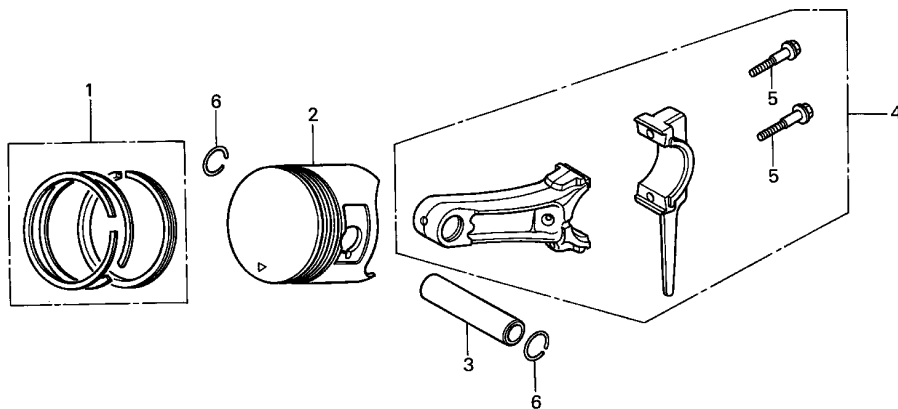


| Ref. No. | L.O.N. | (Relative ref. Number)<br>Description   | F.R.T. |
|----------|--------|---|--------|
| 2        | 1111R1 | (1,3,4)<br>PISTON AND/OR RING SET AND/OR BEARING AND/OR ROD .....<br>.INCLUDES: Inspection/<br>Measurement/Cleaning | 1.2    |

| Ref. No. | Part No.      | Description                         | Reqd. QTY |     |     |     | Serial No. | Parts catalogue code  |
|----------|---------------|-------------------------------------|-----------|-----|-----|-----|------------|---|
|          |               |                                     | (1)       | (2) | (3) | (4) |            |   |
| 1        | 13010-ZE6-003 | RING SET, PISTON (STD.) .....       | 1         | 1   | -   | -   | 3284616    | DS,HX,H1,LD,LJ,LX,PH,PX,QD,QSJ,QX,Q1,RD,RX,R1,SD,SJ,SMJ,STS,SX<br>TH,UH,UX,U1,VET,VH,VX,V1,WJ,W1  |
|          | 13010-ZE6-004 | .....                               | 1         | 1   | -   | -   | 3284616    | DS,HX,H1,LD,LJ,LX,PH,PX,QD,QSJ,QX,Q1,RD,RX,R1,SD,SJ,SMJ,STS,SX<br>TH,UH,UX,U1,VET,VH,VX,V1,WJ,W1  |
|          | 13011-ZE6-003 | RING SET, PISTON (0.25) .....       | (1)       | (1) | -   | -   | 3284616    | DS,HX,H1,LD,LJ,LX,PH,PX,QD,QSJ,QX,Q1,RD,RX,R1,SD,SJ,SMJ,STS,SX<br>TH,UH,UX,U1,VET,VH,VX,V1,WJ,W1  |
|          | 13011-ZE6-004 | .....                               | (1)       | (1) | -   | -   | 3284616    | DS,HX,H1,LD,LJ,LX,PH,PX,QD,QSJ,QX,Q1,RD,RX,R1,SD,SJ,SMJ,STS,SX<br>TH,UH,UX,U1,VET,VH,VX,V1,WJ,W1  |
|          | 13012-ZE6-003 | RING SET, PISTON (0.50) .....       | (1)       | (1) | -   | -   | 3284616    | DS,HX,H1,LD,LJ,LX,PH,PX,QD,QSJ,QX,Q1,RD,RX,R1,SD,SJ,SMJ,STS,SX<br>TH,UH,UX,U1,VET,VH,VX,V1,WJ,W1  |
|          | 13012-ZE6-004 | .....                               | (1)       | (1) | -   | -   | 3284616    | DS,HX,H1,LD,LJ,LX,PH,PX,QD,QSJ,QX,Q1,RD,RX,R1,SD,SJ,SMJ,STS,SX<br>TH,UH,UX,U1,VET,VH,VX,V1,WJ,W1  |
|          | 13013-ZE6-003 | RING SET, PISTON (0.75) .....       | (1)       | (1) | -   | -   | 3284616    | DS,HX,H1,LD,LJ,LX,PH,PX,QD,QSJ,QX,Q1,RD,RX,R1,SD,SJ,SMJ,STS,SX<br>TH,UH,UX,U1,VET,VH,VX,V1,WJ,W1  |
|          | 13013-ZE6-004 | .....                               | (1)       | (1) | -   | -   | 3284616    | DS,HX,H1,LD,LJ,LX,PH,PX,QD,QSJ,QX,Q1,RD,RX,R1,SD,SJ,SMJ,STS,SX<br>TH,UH,UX,U1,VET,VH,VX,V1,WJ,W1  |
|          | 13010-ZE6-013 | RING SET, PISTON (STD.)<br>(NIPPON) | 1         | 1   | -   | -   | -----      | EN,ET,ETX,HH,HXQ,LDB1,LD4,LE,LW2,PM2,QAA2,QBU2,QXG,QXQ,QXS,RH<br>SAD2,SSK2,SW2,U1,VA,VH,VS1,V1  |
|          |               |                                     | 1         | 1   | -   | -   | 3284616    | HHQ4,HTF2,HX,HX2,HX26,HX4,H1,LD,LDB3,LEH4,LH,LHQ4,LJD2,LJT,LSJ<br>LSJ4,LTA,LTJ,LTR,LX,LX2,LX26,LX4,L1,PH,PM,PX,PX2,QA,QA2,QA26<br>QB26,QD,QE,QEH,QH,QHQ4,QH2,QH26,QJG2,QJW1,QLL,QM,QMA4,QMA8<br>QME4,QMH,QMX2,QPU,QT,QTC2,QX,QXC,QXC9,QXG2,QXS2,QX2,QX26,QX4<br>Q1,RD,RD4,RHC,RHQ4,RX,RX4,R1,SAJ,SCJ,SD,SDB1,SDB3,SD16,SD4,SE<br>SG24,SH,SHQ4,SJC,SJC1,SJC5,SKJ,SMA7,SMW2,SN,SSK1,SSK3,SSX4,STP<br>SX,SX4,S1,TH,TX,TX2,TX26,TX4,UH,UX,VAX4,VED,VED1,VEE1,VEX,VMS4<br>VPR4,VS,VSX,VSX1,VX,VX4,WDJ,WD12,WJP,WJP1,WJ1,WKT2,WMA3,WME2<br>WM1,W1 |

| Ref. No. | Part No.      | Description                          | Reqd. QTY |                |     |     | Serial No. | Parts catalogue code  |
|----------|---------------|--------------------------------------|-----------|----------------|-----|-----|------------|---|
|          |               |                                      | (1)       | GX120K1<br>(2) | (3) | (4) |            |   |
| (1)      | 13010-ZE6-014 | RING SET, PISTON (STD.)<br>(TEIKOKU) | 1         | 1              | -   | -   | -----      | EN,ET,ETX,HH,HXQ,LDB1,LD4,LE,LW2,PM2,QAA2,QBU2,QXG,QXQ,QXS,RH<br>SAD2,SSK2,SW2,U1,VA,VH,VS1,V1  |
|          |               |                                      | 1         | 1              | -   | -   | 3284616    | HHQ4,HTF2,HX,HX2,HX26,HX4,H1,LD,LDB3,LEH4,LH,LHQ4,LJD2,LJT,LSJ<br>LSJ4,LTA,LTJ,LTR,LX,LX2,LX26,LX4,L1,PH,PM,PX,FX2,QA,QA2,QA26<br>QB26,QD,QE,QEH,QH,QHQ4,QH2,QH26,QJG2,QJW1,QLL,QM,QMA4,QMA8<br>QME4,QMH,QMX2,QPU,QT,QTC2,QX,QXC,QXC9,QXG2,QXS2,QX2,QX26,QX4<br>Q1,RD,RD4,RHC,RHQ4,RX,RX4,R1,SAJ,SCJ,SD,SDB1,SDB3,SD16,SD4,SE<br>SG24,SH,SHQ4,SJC,SJC1,SJC5,SKJ,SMA7,SMW2,SN,SSK1,SSK3,SSX4,STP<br>SX,SX4,S1,TH,TX,TX2,TX26,TX4,UH,UX,VAX4,VED,VED1,VEE1,VEX,VMS4<br>VPR4,VS,VSX,VSX1,VX,VX4,WDJ,WD12,WJP,WJP1,WJ1,WKT2,WMA3,WME2<br>WM1,W1 |
|          | 13011-ZE6-013 | RING SET, PISTON (0.25)<br>(NIPPON)  | (1)       | (1)            | (1) | -   | -----      | EN,ET,ETX,HH,HXQ,LDB1,LD4,LE,LW2,PM2,QAA2,QBU2,QXG,QXQ,QXS,RH<br>SAD2,SSK2,SW2,UIH,U1,VA,VH,VS1,V1  |
|          |               |                                      | (1)       | (1)            | -   | -   | 3284616    | HHQ4,HTF2,HX,HX2,HX26,HX4,H1,LD,LDB3,LEH4,LH,LHQ4,LJD2,LJT,LSJ<br>LSJ4,LTA,LTJ,LTR,LX,LX2,LX26,LX4,L1,PH,PM,PX,FX2,QA,QA2,QA26<br>QB26,QD,QE,QEH,QH,QHQ4,QH2,QH26,QJG2,QJW1,QLL,QM,QMA4,QMA8<br>QME4,QMH,QMX2,QPU,QT,QTC2,QX,QXC,QXC9,QXG2,QXS2,QX2,QX26,QX4<br>Q1,RD,RD4,RHC,RHQ4,RX,RX4,R1,SAJ,SCJ,SD,SDB1,SDB3,SD16,SD4,SE<br>SG24,SH,SHQ4,SJC,SJC1,SJC5,SKJ,SMA7,SMW2,SN,SSK1,SSK3,SSX4,STP<br>SX,SX4,S1,TH,TX,TX2,TX26,TX4,UH,UX,VAX4,VED,VED1,VEE1,VEX,VMS4<br>VPR4,VS,VSX,VSX1,VX,VX4,WDJ,WD12,WJP,WJP1,WJ1,WKT2,WMA3,WME2<br>WM1,W1 |
|          |               |                                      | -         | -              | -   | (1) |            |   |
|          | 13011-ZE6-014 | RING SET, PISTON (0.25)<br>(TEIKOKU) | (1)       | (1)            | (1) | -   | -----      | EN,ET,ETX,HH,HXQ,LDB1,LD4,LE,LW2,PM2,QAA2,QBU2,QXG,QXQ,QXS,RH<br>SAD2,SSK2,SW2,UIH,U1,VA,VH,VS1,V1  |
|          |               |                                      | (1)       | (1)            | -   | -   | 3284616    | HHQ4,HTF2,HX,HX2,HX26,HX4,H1,LD,LDB3,LEH4,LH,LHQ4,LJD2,LJT,LSJ<br>LSJ4,LTA,LTJ,LTR,LX,LX2,LX26,LX4,L1,PH,PM,PX,FX2,QA,QA2,QA26<br>QB26,QD,QE,QEH,QH,QHQ4,QH2,QH26,QJG2,QJW1,QLL,QM,QMA4,QMA8<br>QME4,QMH,QMX2,QPU,QT,QTC2,QX,QXC,QXC9,QXG2,QXS2,QX2,QX26,QX4<br>Q1,RD,RD4,RHC,RHQ4,RX,RX4,R1,SAJ,SCJ,SD,SDB1,SDB3,SD16,SD4,SE<br>SG24,SH,SHQ4,SJC,SJC1,SJC5,SKJ,SMA7,SMW2,SN,SSK1,SSK3,SSX4,STP<br>SX,SX4,S1,TH,TX,TX2,TX26,TX4,UH,UX,VAX4,VED,VED1,VEE1,VEX,VMS4<br>VPR4,VS,VSX,VSX1,VX,VX4,WDJ,WD12,WJP,WJP1,WJ1,WKT2,WMA3,WME2<br>WM1,W1 |
|          |               |                                      | -         | -              | -   | (1) |            |   |
|          | 13012-ZE6-013 | RING SET, PISTON (0.50)<br>(NIPPON)  | (1)       | (1)            | (1) | -   | -----      | EN,ET,ETX,HH,HXQ,LDB1,LD4,LE,LW2,PM2,QAA2,QBU2,QXG,QXQ,QXS,RH<br>SAD2,SSK2,SW2,UIH,U1,VA,VH,VS1,V1  |
|          |               |                                      | (1)       | (1)            | -   | -   | 3284616    | HHQ4,HTF2,HX,HX2,HX26,HX4,H1,LD,LDB3,LEH4,LH,LHQ4,LJD2,LJT,LSJ<br>LSJ4,LTA,LTJ,LTR,LX,LX2,LX26,LX4,L1,PH,PM,PX,FX2,QA,QA2,QA26<br>QB26,QD,QE,QEH,QH,QHQ4,QH2,QH26,QJG2,QJW1,QLL,QM,QMA4,QMA8<br>QME4,QMH,QMX2,QPU,QT,QTC2,QX,QXC,QXC9,QXG2,QXS2,QX2,QX26,QX4<br>Q1,RD,RD4,RHC,RHQ4,RX,RX4,R1,SAJ,SCJ,SD,SDB1,SDB3,SD16,SD4,SE<br>SG24,SH,SHQ4,SJC,SJC1,SJC5,SKJ,SMA7,SMW2,SN,SSK1,SSK3,SSX4,STP<br>SX,SX4,S1,TH,TX,TX2,TX26,TX4,UH,UX,VAX4,VED,VED1,VEE1,VEX,VMS4<br>VPR4,VS,VSX,VSX1,VX,VX4,WDJ,WD12,WJP,WJP1,WJ1,WKT2,WMA3,WME2<br>WM1,W1 |
|          |               |                                      | -         | -              | -   | (1) |            |   |





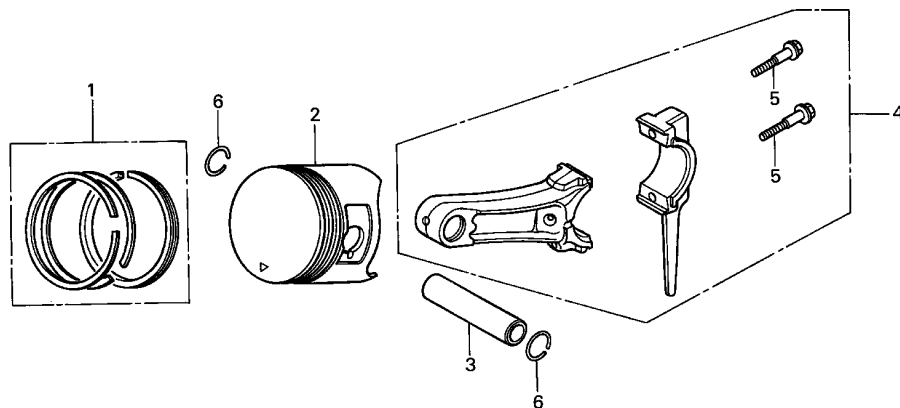
ZH70-E0800



2

| Ref. No. | Part No.      | Description                          | Reqd. QTY |     |     |     | Serial No. | Parts catalogue code  |
|----------|---------------|--------------------------------------|-----------|-----|-----|-----|------------|---|
|          |               |                                      | (1)       | (2) | (3) | (4) |            |   |
| (1)      | 13012-ZE6-014 | RING SET, PISTON (0.50)<br>(TEIKOKU) | (1)       | (1) | (1) | -   | -          | EN,ET,ETX,HH,HXQ,LDB1,LD4,LE,LW2,PM2,QAA2,QBU2,QXG,QXQ,QXS,RH<br>SAD2,SSK2,SW2,UIH,U1,VA,VH,VS1,V1  |
|          |               |                                      | (1)       | (1) | -   | -   | 3284616    | HHQ4,HTF2,HX,HX2,HX26,HX4,H1,LD,LDB3,LEH4,LH,LHQ4,LJD2,LJT,LSJ<br>LSJ4,LTA,LTJ,LTR,LX,LX2,LX26,LX4,L1,PH,PM,PX,PX2,QA,QA2,QA26<br>QB26,QD,QE,QEH,QH,QHQ4,QH2,QH26,QJG2,QJW1,QLL,QM,QMA4,QMA8<br>QME4,QMH,QMX2,QPU,QT,QTC2,QX,QXC,QXC9,QXG2,QXS2,QX2,QX26,QX4<br>Q1,RD,RD4,RHC,RHQ4,RX,RX4,R1,SAJ,SCJ,SD,SDB1,SDB3,SD16,SD4,SE<br>SG24,SH,SHQ4,SJC,SJC1,SJC5,SKJ,SMA7,SMW2,SN,SSK1,SSK3,SSX4,STP<br>SX,SX4,S1,TH,TX,TX2,TX26,TX4,UH,UX,VAX4,VED,VED1,VEE1,VEX,VMS4<br>VPR4,VS,VSX,VSX1,VX,VX4,WDJ,WD12,WJP,WJP1,WJ1,WKT2,WMA3,WME2<br>WM1,W1 |
|          | 13013-ZE6-013 | RING SET, PISTON (0.75)<br>(NIPPON)  | -         | -   | -   | (1) | -          | HXQ,QAA2,QXG,QXQ,QXS,SSK2   |
|          |               |                                      | (1)       | -   | -   | -   | 3284616    | HTF2,HX,HX2,LJD2,LJT,LSJ,LTA,LTJ,LTR,LX2,PX2,QA,QA2,QH2,QJG2<br>QJW1,QMX2,QTC2,QX,QXC,QXC9,QXG2,QXS2,QX2,SAJ,SCJ,SG24,SJC,SJC1<br>SJC5,SKJ,SMW2,SSK1,SSK3,STP,TX,TX2,VEE1,WDJ,WD12,WJP,WJP1,WJ1<br>WKT2,WME2  |

| Ref. No. | Part No.      | Description                          | Reqd. QTY |     |     |     | Serial No. | Parts catalogue code   |   |
|----------|---------------|--------------------------------------|-----------|-----|-----|-----|------------|--|---|
|          |               |                                      | (1)       | (2) | (3) | (4) |            |  |   |
| (1)      | 13013-ZE6-014 | RING SET, PISTON (0.75)<br>(TEIKOKU) | (1)       | (1) | (1) | -   | -----      | EN,ET,ETX,HH,HXQ,LDB1,LD4,LE,LW2,PM2,QAA2,QBU2,QXG,QXQ,QXS,RH<br>SAD2,SSK2,SW2,UIH,U1,VA,VH,VS1,V1   |   |
|          |               |                                      | (1)       | (1) | -   | -   | -----      | 3284616 HHQ4,HTF2,HX,HX2,HX26,HX4,H1,LD,LDB3,LEH4,LH,LHQ4,LJD2,LJT,LSJ<br>LSJ4,LTA,LTJ,LTR,LX,LX2,LX26,LX4,L1,PH,PM,PX,PX2,QA,QA2,QA26<br>QB26,QD,QE,QEH,QH,QHQ4,QH2,QH26,QJG2,QJW1,QLL,QM,QMA4,QMA8<br>QME4,QMH,QMX2,QPU,QT,QTC2,QX,QXC,QXC9,QXG2,QXS2,QX2,QX26,QX4<br>Q1,RD,RD4,RHC,RHQ4,RX,RX4,R1,SAJ,SCJ,SD,SDB1,SDB3,SD16,SD4,SE<br>SG24,SH,SHQ4,SJ,SJC1,SJC5,SKJ,SMA7,SMW2,SN,SSK1,SSK3,SSX4,STP<br>SX,SX4,S1,TH,TX,TX2,TX26,TX4,UH,UX,VAX4,VED,VED1,VEE1,VET,VEX,VMS4<br>VPR4,VS,VSX,VSX1,VX,VX4,WDJ,WD12,WJP,WJP1,WJ1,WKT2,WMA3,WME2<br>WM1,W1 |   |
|          |               |                                      | -         | -   | -   | (1) |            |  |   |
|          | 13010-ZK7-V01 | RING SET, PISTON (STD.)<br>(TEIKOKU) | 1         | 1   | -   | -   | 3284617    | -----  | LDB3,LEH4,LJT,LTA,L1,QA26,QE,QEH,QH2,QJW1,QMH,QPU,QSJ,QXC,SDB1<br>SDB3,SJC,SN,SSK1,S1,U1,VAX4,VH,VS,V1,WDJ,WJ1,W1   |
|          |               |                                      | 1         | 1   | -   | -   | 3284617    | 3993725  | DS,HHQ4,HTF2,HX,HX2,HX26,HX4,H1,LD,LH,LHQ4,LJ,LJD2,LSJ,LSJ4<br>LTJ,LTR,LX,LX2,LX26,LX4,PH,PM,PX,PX2,QA,QA2,QB26,QD,QH,QHQ4<br>QH26,QJG2,QLL,QM,QMA4,QMA8,QME4,QMX2,QT,QTC2,QX,QXC9,QXG2,QXS2<br>QX2,QX26,QX4,Q1,RD,RD4,RHC,RHQ4,RX,RX4,R1,SAJ,SCJ,SD,SD16,SD4<br>SE,SG24,SH,SHQ4,SJ,SJC1,SJC5,SKJ,SMA7,SMJ,SMW2,SSK3,SSX4,STP<br>STS,SX,SX4,TH,TX,TX2,TX26,TX4,UH,UX,VED,VED1,VEE1,VET,VEX,VMS4<br>VPR4,VSX,VSX1,VX,VX4,WD12,WJ,WJP,WJP1,WKT2,WMA3,WME2,WM1   |
|          |               |                                      | 1         | -   | -   | -   | 3993725    |  | AR,DKR,HXU,KR,KRA4,KRT,KRT4,KRT6,LAJ4,LJC,LJS,LTK1,LXU,QWA4<br>QXU,SAJ4,SKR,SM11,SSX2,SWX2,SWX4,SXS4,UXU,VED6,VMT,VXU,WDA6<br>WKD6,WKT4,WME4  |
|          |               |                                      | -         | -   | 1   | 1   |            |  |   |
|          | 13010-ZK7-V02 | RING SET, PISTON (STD.)<br>(NIPPON)  | 1         | 1   | -   | -   | 3284617    | -----  | LDB3,LEH4,LJT,LTA,L1,QA26,QE,QEH,QH2,QJW1,QMH,QPU,QSJ,QXC,SDB1<br>SDB3,SJC,SN,SSK1,S1,U1,VAX4,VH,VS,V1,WDJ,WJ1,W1   |
|          |               |                                      | 1         | 1   | -   | -   | 3284617    | 3993725  | DS,HHQ4,HTF2,HX,HX2,HX26,HX4,H1,LD,LH,LHQ4,LJ,LJD2,LSJ,LSJ4<br>LTJ,LTR,LX,LX2,LX26,LX4,PH,PM,PX,PX2,QA,QA2,QB26,QD,QH,QHQ4<br>QH26,QJG2,QLL,QM,QMA4,QMA8,QME4,QMX2,QT,QTC2,QX,QXC9,QXG2,QXS2<br>QX2,QX26,QX4,Q1,RD,RD4,RHC,RHQ4,RX,RX4,R1,SAJ,SCJ,SD,SD16,SD4<br>SE,SG24,SH,SHQ4,SJ,SJC1,SJC5,SKJ,SMA7,SMJ,SMW2,SSK3,SSX4,STP<br>STS,SX,SX4,TH,TX,TX2,TX26,TX4,UH,UX,VED,VED1,VEE1,VET,VEX,VMS4<br>VPR4,VSX,VSX1,VX,VX4,WD12,WJ,WJP,WJP1,WKT2,WMA3,WME2,WM1   |
|          |               |                                      | 1         | -   | -   | -   | 3993725    |  | HXU,LAJ4,LJC,LJS,LTK1,LXU,QWA4,QXU,SAJ4,SKR,SM11,SSX2,SWX2<br>SWX4,SXS4,UXU,VED6,VMT,VXU,WDA6,WKD6,WKT4,WME4  |
|          |               |                                      | -         | -   | 1   | 1   |            |  |   |
|          | 13010-ZH7-003 | RING SET, PISTON (STD.)<br>(TEIKOKU) | 1         | 1   | -   | -   | 3993726    | -----  | AR,DKR,DS,HHQ4,HTF2,HX,HXU,HX2,HX26,HX4,H1,KR,KRA4,KRT,KRT4<br>KRT6,LAJ4,LD,LH,LHQ4,LJ,LJC,LJD2,LJS,LSJ,LSJ4,LTJ,LTK1,LTR,LX<br>LXU,LX2,LX26,LX4,PH,PM,PX,PX2,QA,QA2,QB26,QD,QH,QHQ4,QH26,QJG2<br>QLL,QM,QMA4,QMA8,QME4,QMX2,QT,QTC2,QWA4,QX,QXC9,QXG2,QXS2,QXU<br>QX2,QX26,QX4,Q1,RD,RD4,RHC,RHQ4,RX,RX4,R1,SAJ,SAJ4,SCJ,SD,SD16<br>SD4,SE,SG24,SH,SHQ4,SJ,SJC1,SJC5,SKJ,SKR,SMA7,SMJ,SMW2,SM11<br>SSK3,SSX2,SSX4,STP,STS,SWX2,SWX4,SX,SXS4,SX4,TH,TX,TX2,TX26<br>TX4,UH,UX,UXU,VED,VED1,VED6,VEE1,VET,VEX,VMS4,VMT,VPR4,VSX<br>VSX1,VX,VXU,VX4,WDA6,WD12,WJ,WJP,WJP1,WKD6,WKT2,WKT4,WMA3,WME2<br>WME4,WM1 |
|          |               |                                      | 1         | -   | -   | -   | -----      | -----  | HT2,KRF4,KRS4,LTS,QX7,SJD2,SM12,SM14,SX7,VEK,VEX7,VX7,WKT6  |

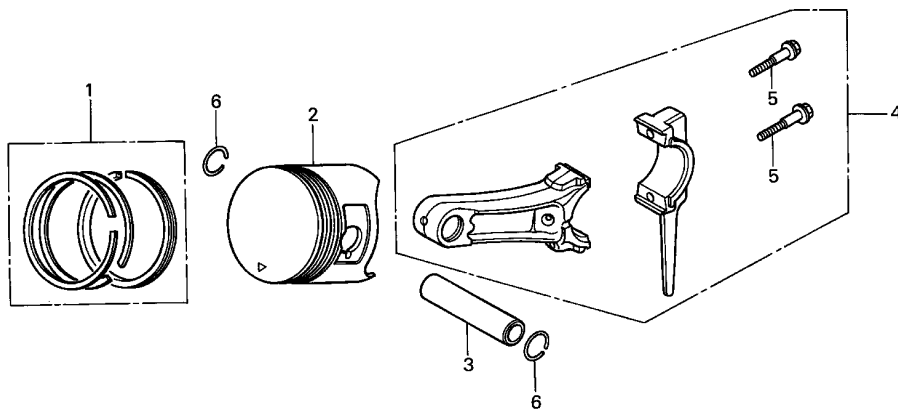


ZH70-E0800



| Ref. No. | Part No.      | Description                          | Reqd. QTY |     |     |     | Serial No. | Parts catalogue code   |
|----------|---------------|--------------------------------------|-----------|-----|-----|-----|------------|--|
|          |               |                                      | (1)       | (2) | (3) | (4) |            |  |
| (1)      | 13010-ZH7-004 | RING SET, PISTON (STD.)<br>(NIPPON)  | 1         | 1   | -   | -   | 3993726    | AR,DKR,DS,HHQ4,HTF2,HX,HXU,HX2,HX26,HX4,H1,KR,KRA4,KRT,KRT4,KRT6,LAJ4,LD,LH,LHQ4,LJ,LJC,LJD2,LJS,LSJ,LSJ4,LTJ,LTK1,LTR,LX,LXU,LX2,LX26,LX4,PH,PM,PX,PX2,QA,QA2,QB26,QD,QH,QHQ4,QH26,QJG2,QLL,QM,QMA4,QMA8,QME4,QMX2,QT,QTC2,QWA4,QX,QXC9,QXG2,QXS2,QXU,QX2,QX26,QX4,Q1,RD,RD4,RHC,RHQ4,RX,RX4,R1,SAJ,SAJ4,SCJ,SD,SD16,SD4,SE,SG24,SH,SHQ4,SJ,SJC1,SJC5,SKJ,SKR,SMA7,SMJ,SMW2,SM11,SSK3,SSX2,SSX4,STP,STS,SWX2,SWX4,SX,SXS4, SX4,TH, TX, TX2, TX26, TX4, UH, UX, UXU, VED, VED1, VED6, VEE1, VET, VEX, VMS4, VMT, VPR4, VSX, VSX1, VX, VXU, VX4, WDA6, WD12, WJ, WJP, WJP1, WKD6, WKT2, WKT4, WMA3, WME2, WME4, WM1 |
|          | 13011-ZK7-V01 | RING SET, PISTON (0.25)<br>(TEIKOKU) | 1         | -   | -   | -   | 3284617    | HT2,KRF4,KRS4,LTS,QX7,SJD2,SM12,SM14,SX7,VEK,VEX7,VX7,WKT6   |
|          |               |                                      | (1)       | (1) | -   | -   | 3284617    | LDB3,LEH4,LJT,LTA,L1,QA26,QE, QEH, QH2, QJW1, QMH, QPU, QSJ, QXC, SDB1, SDB3, SJC, SN, SSK1, S1, U1, VAX4, VH, VS, V1, WDJ, WJ1, W1  |
|          |               |                                      | (1)       | (1) | -   | -   | 3993725    | DS,HHQ4,HTF2,HX,HX2,HX26,HX4,H1,LD,LH,LHQ4,LJ,LJD2,LSJ,LSJ4,LTJ,LTR,LX,LX2,LX26,LX4,PH,PM,PX,PX2,QA,QA2,QB26,QD,QH,QHQ4,QH26,QJG2,QLL,QM,QMA4,QMA8,QME4,QMX2,QT,QTC2,QX,QXC9,QXG2,QXS2,QX2,QX26,QX4,Q1,RD,RD4,RHC,RHQ4,RX,RX4,R1,SAJ,SCJ,SD,SD16,SD4,SE,SG24,SH,SHQ4,SJ,SJC1,SJC5,SKJ,SMA7,SMJ,SMW2,SSK3,SSX4,STP,STS,SX,SX4,TH, TX, TX2, TX26, TX4, UH, UX, VED, VED1, VEE1, VET, VEX, VMS4, VPR4, VSX, VSX1, VX, VX4, WD12, WJ, WJP, WJP1, WKT2, WMA3, WME2, WM1   |
|          |               |                                      | (1)       | -   | -   | -   | 3993725    | AR,DKR,HXU,KR,KRA4,KRT,KRT4,KRT6,LAJ4,LJC,LJS,LTK1,LXU,QWA4,QXU,SAJ4,SKR,SM11,SSX2,SWX2,SWX4,SXS4,UXU,VED6,VMT,VXU,WDA6,WKD6,WKT4,WME4   |
|          |               |                                      | -         | -   | (1) | -   | -          | QIH1,UIH   |
|          |               |                                      | -         | -   | (1) | (1) | -          | -  |

| Ref. No. | Part No.      | Description                          | Reqd. QTY |     |     |     | Serial No. | Parts catalogue code   |
|----------|---------------|--------------------------------------|-----------|-----|-----|-----|------------|--|
|          |               |                                      | (1)       | (2) | (3) | (4) |            |  |
| (1)      | 13011-ZK7-V02 | RING SET, PISTON (0.25)<br>(NIPPON)  | (1)       | (1) | -   | -   | 3284617    | ----- LDB3, LEH4, LJT, LTA, L1, QA26, QE, QEH, QH2, QJW1, QMH, QPU, QSJ, QXC, SDB1 SDB3, SJC, SN, SSK1, S1, U1, VAX4, VH, VS, V1, WDJ, WJ1, W1   |
|          |               |                                      | (1)       | (1) | -   | -   | 3284617    | 3993725 DS, HHQ4, HTF2, HX, HX2, HX26, HX4, H1, LD, LH, LHQ4, LJ, LJD2, LSJ, LSJ4 LTJ, LTR, LX, LX2, LX26, LX4, PH, PM, PX, PX2, QA, QA2, QB26, QD, QH, QHQ4 QH26, QJG2, QLL, QM, QMA4, QMA8, QME4, QMX2, QT, QTC2, QX, QXC9, QXG2, QXS2 QX2, QX26, QX4, Q1, RD, RD4, RHC, RHQ4, RX, RX4, R1, SAJ, SCJ, SD, SD16, SD4 SE, SG24, SH, SHQ4, SJ, SJC1, SJC5, SKJ, SMA7, SMJ, SMW2, SSK3, SSX4, STP STS, SX, SX4, TH, TX, TX2, TX26, TX4, UH, UX, VED, VED1, VEE1, VET, VEX, VMS4 VPR4, VSX, VSX1, VX, VX4, WD12, WJ, WJP, WJP1, WKT2, WMA3, WME2, WM1   |
|          |               |                                      | (1)       | -   | -   | -   | 3993725    | HXU, LAJ4, LJC, LJS, LTK1, LXU, QWA4, QXU, SAJ4, SKR, SM11, SSSX2, SWX2 SWX4, SXS4, UXU, VED6, VMT, VXU, WDA6, WKD6, WKT4, WME4  |
|          |               |                                      | -         | -   | (1) | -   | -----      | QIH1, UIH  |
|          |               |                                      | -         | -   | -   | (1) | -----      |  |
|          | 13011-ZH7-003 | RING SET, PISTON (0.25)<br>(TEIKOKU) | (1)       | (1) | -   | -   | 3993726    | ----- AR, DKR, DS, HHQ4, HTF2, HX, HXU, HX2, HX26, HX4, H1, KR, KRA4, KRT, KRT4 KRT6, LAJ4, LD, LH, LHQ4, LJ, LJC, LJD2, LJS, LSJ, LSJ4, LTJ, LTK1, LTR, LX LXU, LX2, LX26, LX4, PH, PM, PX, PX2, QA, QA2, QB26, QD, QH, QHQ4, QH26, QJG2 QLL, QM, QMA4, QMA8, QME4, QMX2, QT, QTC2, QWA4, QX, QXC9, QXG2, QXS2, QXU QX2, QX26, QX4, Q1, RD, RD4, RHC, RHQ4, RX, RX4, R1, SAJ, SAJ4, SCJ, SD, SD16 SD4, SE, SG24, SH, SHQ4, SJ, SJC1, SJC5, SKJ, SKR, SMA7, SMJ, SMW2, SM11 SSK3, SSSX2, SSSX4, STP, STS, SWX2, SWX4, SX, SXS4, SX4, TH, TX, TX2, TX26 TX4, UH, UX, UXU, VED, VED1, VED6, VEE1, VET, VEX, VMS4, VMT, VPR4, VSX VSX1, VX, VXU, VX4, WDA6, WD12, WJ, WJP, WJP1, WKD6, WKT2, WKT4, WMA3, WME2 WME4, WM1 |
|          |               |                                      | (1)       | -   | -   | -   | -----      | HT2, KRF4, KRS4, LTS, QX7, SJD2, SM12, SM14, SX7, VEK, VEX7, VX7, WKT6   |
|          | 13011-ZH7-004 | RING SET, PISTON (0.25)<br>(NIPPON)  | (1)       | (1) | -   | -   | 3993726    | ----- AR, DKR, DS, HHQ4, HTF2, HX, HXU, HX2, HX26, HX4, H1, KR, KRA4, KRT, KRT4 KRT6, LAJ4, LD, LH, LHQ4, LJ, LJC, LJD2, LJS, LSJ, LSJ4, LTJ, LTK1, LTR, LX LXU, LX2, LX26, LX4, PH, PM, PX, PX2, QA, QA2, QB26, QD, QH, QHQ4, QH26, QJG2 QLL, QM, QMA4, QMA8, QME4, QMX2, QT, QTC2, QWA4, QX, QXC9, QXG2, QXS2, QXU QX2, QX26, QX4, Q1, RD, RD4, RHC, RHQ4, RX, RX4, R1, SAJ, SAJ4, SCJ, SD, SD16 SD4, SE, SG24, SH, SHQ4, SJ, SJC1, SJC5, SKJ, SKR, SMA7, SMJ, SMW2, SM11 SSK3, SSSX2, SSSX4, STP, STS, SWX2, SWX4, SX, SXS4, SX4, TH, TX, TX2, TX26 TX4, UH, UX, UXU, VED, VED1, VED6, VEE1, VET, VEX, VMS4, VMT, VPR4, VSX VSX1, VX, VXU, VX4, WDA6, WD12, WJ, WJP, WJP1, WKD6, WKT2, WKT4, WMA3, WME2 WME4, WM1 |
|          |               |                                      | (1)       | -   | -   | -   | -----      | HT2, KRF4, KRS4, LTS, QX7, SJD2, SM12, SM14, SX7, VEK, VEX7, VX7, WKT6   |
|          | 13012-ZK7-V01 | RING SET, PISTON (0.50)<br>(TEIKOKU) | (1)       | (1) | -   | -   | 3284617    | ----- LDB3, LEH4, LJT, LTA, L1, QA26, QE, QEH, QH2, QJW1, QMH, QPU, QSJ, QXC, SDB1 SDB3, SJC, SN, SSK1, S1, U1, VAX4, VH, VS, V1, WDJ, WJ1, W1   |
|          |               |                                      | (1)       | (1) | -   | -   | 3284617    | 3993725 DS, HHQ4, HTF2, HX, HX2, HX26, HX4, H1, LD, LH, LHQ4, LJ, LJD2, LSJ, LSJ4 LTJ, LTR, LX, LX2, LX26, LX4, PH, PM, PX, PX2, QA, QA2, QB26, QD, QH, QHQ4 QH26, QJG2, QLL, QM, QMA4, QMA8, QME4, QMX2, QT, QTC2, QX, QXC9, QXG2, QXS2 QX2, QX26, QX4, Q1, RD, RD4, RHC, RHQ4, RX, RX4, R1, SAJ, SCJ, SD, SD16, SD4 SE, SG24, SH, SHQ4, SJ, SJC1, SJC5, SKJ, SMA7, SMJ, SMW2, SSK3, SSX4, STP STS, SX, SX4, TH, TX, TX2, TX26, TX4, UH, UX, VED, VED1, VEE1, VET, VEX, VMS4 VPR4, VSX, VSX1, VX, VX4, WD12, WJ, WJP, WJP1, WKT2, WMA3, WME2, WM1   |
|          |               |                                      | (1)       | -   | -   | -   | 3993725    | AR, DKR, HXU, KR, KRA4, KRT, KRT4, KRT6, LAJ4, LJC, LJS, LTK1, LXU, QWA4 QXU, SAJ4, SKR, SM11, SSSX2, SWX2, SWX4, SXS4, UXU, VED6, VMT, VXU, WDA6 WKD6, WKT4, WME4   |
|          |               |                                      | -         | -   | (1) | -   | -----      | QIH1, UIH  |
|          |               |                                      | -         | -   | -   | (1) | -----      |  |



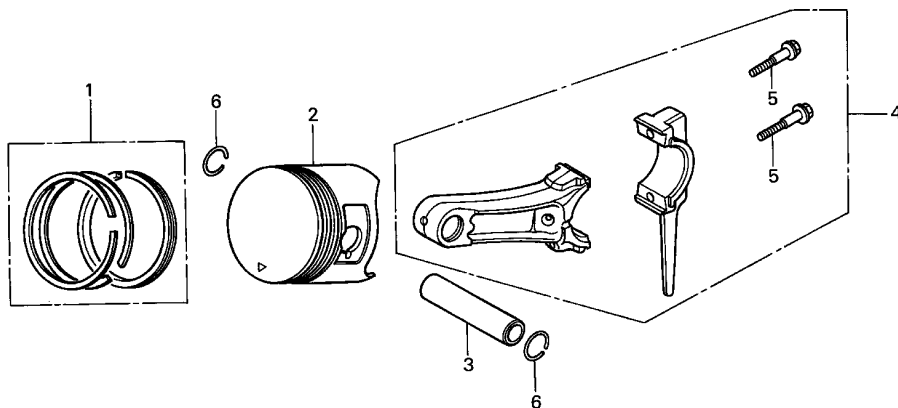
ZH70-E0800



| Ref. No. | Part No.      | Description             | Reqd. QTY |     |     |     | Serial No. | Parts catalogue code   |
|----------|---------------|-------------------------|-----------|-----|-----|-----|------------|--|
|          |               |                         | (1)       | (2) | (3) | (4) |            |  |
| (1)      | 13012-ZK7-V02 | RING SET, PISTON (0.50) |           |     |     |     |            |  |
|          |               | (NIPPON)                | (1)       | (1) | -   | -   | 3284617    | ----- LDB3, LEH4, LJT, LTA, L1, QA26, QE, QEH, QH2, QJW1, QMH, QPU, QSJ, QXC, SDB1 |
|          |               |                         | (1)       | (1) | -   | -   | 3284617    | 3993725 SDB3, SJC, SN, SSK1, S1, U1, VAX4, VH, VS, V1, WDJ, WJ1, W1                |
|          |               |                         |           |     |     |     |            | DS, HHQ4, HTF2, HX, HX2, HX26, HX4, H1, LD, LH, LHQ4, LJ, LJD2, LSJ, LSJ4          |
|          |               |                         |           |     |     |     |            | LTJ, LTR, LX, LX2, LX26, LX4, PH, PM, PX, PX2, QA, QA2, QB26, QD, QH, QHQ4         |
|          |               |                         |           |     |     |     |            | QH26, QJG2, QLL, QM, QMA4, QMA8, QME4, QMX2, QT, QTC2, QX, QXC9, QXG2, QXS2        |
|          |               |                         |           |     |     |     |            | QX2, QX26, QX4, Q1, RD, RD4, RHC, RHQ4, RX, RX4, R1, SAJ, SCJ, SD, SD16, SD4       |
|          |               |                         |           |     |     |     |            | SE, SG24, SH, SHQ4, SJ, SJC1, SJC5, SKJ, SMA7, SMJ, SMW2, SSK3, SSSX4, STP         |
|          |               |                         |           |     |     |     |            | STS, SX, SX4, TH, TX, TX2, TX26, TX4, UH, UX, VED, VED1, VEE1, VET, VEX, VMS4      |
|          |               |                         |           |     |     |     |            | VPR4, VSX, VSX1, VX, VX4, WD12, WJ, WJP, WJP1, WKT2, WMA3, WME2, WM1               |
|          |               |                         | (1)       | -   | -   | -   | 3993725    | HXU, LAJ4, LJC, LJS, LTK1, LXU, QWA4, QXU, SAJ4, SKR, SM11, SSSX2, SWX2            |
|          |               |                         | -         | -   | (1) | -   | -----      | SWX4, SXS4, UXU, VED6, VMT, VXU, WDA6, WKD6, WKT4, WME4                            |
|          |               |                         | -         | -   | (1) | -   | -----      | QIH1, UIH  |
|          | 13012-ZH7-003 | RING SET, PISTON (0.50) |           |     |     |     |            |  |
|          |               | (TEIKOKU)               | (1)       | (1) | -   | -   | 3993726    | ----- AR, DKR, DS, HHQ4, HTF2, HX, HXU, HX2, HX26, HX4, H1, KR, KRA4, KRT, KRT4    |
|          |               |                         |           |     |     |     |            | KRT6, LAJ4, LD, LH, LHQ4, LJ, LJC, LJD2, LJS, LSJ, LSJ4, LTJ, LTK1, LTR, LX        |
|          |               |                         |           |     |     |     |            | LXU, LX2, LX26, LX4, PH, PM, PX, PX2, QA, QA2, QB26, QD, QH, QHQ4, QH26, QJG2      |
|          |               |                         |           |     |     |     |            | QLL, QM, QMA4, QMA8, QME4, QMX2, QT, QTC2, QWA4, QX, QXC9, QXG2, QXS2, QXU         |
|          |               |                         |           |     |     |     |            | QX2, QX26, QX4, Q1, RD, RD4, RHC, RHQ4, RX, RX4, R1, SAJ, SAJ4, SCJ, SD, SD16      |
|          |               |                         |           |     |     |     |            | SD4, SE, SG24, SH, SHQ4, SJ, SJC1, SJC5, SKJ, SKR, SMA7, SMJ, SMW2, SM11           |
|          |               |                         |           |     |     |     |            | SSK3, SSSX2, SSSX4, STP, STS, SWX2, SWX4, SX, SXS4, SX4, TH, TX, TX2, TX26         |
|          |               |                         |           |     |     |     |            | TX4, UH, UX, UXU, VED, VED1, VED6, VEE1, VET, VEX, VMS4, VMT, VPR4, VSX            |
|          |               |                         |           |     |     |     |            | VSX1, VX, VXU, VX4, WDA6, WD12, WJ, WJP, WJP1, WKD6, WKT2, WMA3, WME2              |
|          |               |                         | (1)       | -   | -   | -   | -----      | WME4, WM1  |
|          |               |                         |           |     |     |     |            | HT2, KRF4, KRS4, LTS, QX7, SJD2, SM12, SM14, SX7, VEK, VEX7, VX7, WKT6             |

| Ref. No. | Part No.      | Description                          | Reqd. QTY |     |     |     | Serial No. | Parts catalogue code   |
|----------|---------------|--------------------------------------|-----------|-----|-----|-----|------------|--|
|          |               |                                      | (1)       | (2) | (3) | (4) |            |  |
| (1)      | 13012-ZH7-004 | RING SET, PISTON (0.50)<br>(NIPPON)  | (1)       | (1) | -   | -   | 3993726    | AR,DKR,DS,HHQ4,HTF2,HX,HXU,HX2,HX26,HX4,H1,KR,KRA4,KRT,KRT4,KRT6,LAJ4,LD,LH,LHQ4,LJ,LJC,LJD2,LJS,LSJ,LSJ4,LTJ,LTK1,LTR,LX,LXU,LX2,LX26,LX4,PH,PM,PX,PX2,QA,QA2,QB26,QD,QH,QHQ4,QH26,QJG2,QLL,QM,QMA4,QMA8,QME4,QMX2,QT,QTC2,QWA4,QX,QXC9,QXG2,QXS2,QXU,QX2,QX26,QX4,Q1,RD,RD4,RHC,RHQ4,RX,RX4,R1,SAJ,SAJ4,SCJ,SD,SD16,SD4,SE,SG24,SH,SHQ4,SJ,SJC1,SJC5,SKJ,SKR,SMA7,SMJ,SMW2,SM11,SSK3,SSX2,SSX4,STP,STS,SWX2,SWX4,SX,SXS4,SX4,TH,TX,TX2,TX26,TX4,UH,UX,UXU,VED,VED1,VED6,VEE1,VET,VEX,VMS4,VMT,VPR4,VSX,VSX1,VX,VXU,VX4,WDA6,WD12,WJ,WJP,WJP1,WKD6,WKT2,WKT4,WMA3,WME2,WME4,WM1 |
|          | 13013-ZK7-V01 | RING SET, PISTON (0.75)<br>(TEIKOKU) | (1)       | -   | -   | -   | 3284617    | HT2,KRF4,KRS4,LTS,QX7,SJD2,SM12,SM14,SX7,VEK,VEX7,VX7,WKT6   |
|          |               |                                      | (1)       | (1) | -   | -   | 3284617    | LDB3,LEH4,LJT,LTA,L1,QA26,QE,QEH,QH2,QJW1,QMH,QPU,QSJ,QXC,SDB1,SDB3,SJC,SN,SSK1,S1,U1,VAX4,VH,VS,V1,WDJ,WJ1,W1   |
|          |               |                                      | (1)       | (1) | -   | -   | 3993725    | DS,HHQ4,HTF2,HX,HX2,HX26,HX4,H1,LD,LH,LHQ4,LJ,LJD2,LSJ,LSJ4,LTJ,LTR,LX,LX2,LX26,LX4,PH,PM,PX,PX2,QA,QA2,QB26,QD,QH,QHQ4,QH26,QJG2,QLL,QM,QMA4,QMA8,QME4,QMX2,QT,QTC2,QX,QXC9,QXG2,QXS2,QX2,QX26,QX4,Q1,RD,RD4,RHC,RHQ4,RX,RX4,R1,SAJ,SCJ,SD,SD16,SD4,SE,SG24,SH,SHQ4,SJ,SJC1,SJC5,SKJ,SMA7,SMJ,SMW2,SSK3,SSX4,STP,STS,SX,SX4,TH,TX,TX2,TX26,TX4,UH,UX,VED,VED1,VEE1,VET,VEX,VMS4,VPR4,VSX,VSX1,VX,VX4,WD12,WJ,WJP,WJP1,WKT2,WMA3,WME2,WM1  |
|          |               |                                      | (1)       | -   | -   | -   | 3993725    | AR,DKR,HXU,KR,KRA4,KRT,KRT4,KRT6,LAJ4,LJC,LJS,LTK1,LXU,QWA4,QXU,SAJ4,SKR,SM11,SSX2,SWX2,SWX4,SXS4,UXU,VED6,VMT,VXU,WDA6,WKD6,WKT4,WME4   |
|          |               |                                      | -         | -   | (1) | -   |            | QIH1,UIH   |
|          | 13013-ZK7-V02 | RING SET, PISTON (0.75)<br>(NIPPON)  | (1)       | (1) | -   | -   | 3284617    | LDB3,LEH4,LJT,LTA,L1,QA26,QE,QEH,QH2,QJW1,QMH,QPU,QSJ,QXC,SDB1,SDB3,SJC,SN,SSK1,S1,U1,VAX4,VH,VS,V1,WDJ,WJ1,W1   |
|          |               |                                      | (1)       | (1) | -   | -   | 3284617    | DS,HHQ4,HTF2,HX,HX2,HX26,HX4,H1,LD,LH,LHQ4,LJ,LJD2,LSJ,LSJ4,LTJ,LTR,LX,LX2,LX26,LX4,PH,PM,PX,PX2,QA,QA2,QB26,QD,QH,QHQ4,QH26,QJG2,QLL,QM,QMA4,QMA8,QME4,QMX2,QT,QTC2,QX,QXC9,QXG2,QXS2,QX2,QX26,QX4,Q1,RD,RD4,RHC,RHQ4,RX,RX4,R1,SAJ,SCJ,SD,SD16,SD4,SE,SG24,SH,SHQ4,SJ,SJC1,SJC5,SKJ,SMA7,SMJ,SMW2,SSK3,SSX4,STP,STS,SX,SX4,TH,TX,TX2,TX26,TX4,UH,UX,VED,VED1,VEE1,VET,VEX,VMS4,VPR4,VSX,VSX1,VX,VX4,WD12,WJ,WJP,WJP1,WKT2,WMA3,WME2,WM1  |
|          |               |                                      | (1)       | -   | -   | -   | 3993725    | HXU,LAJ4,LJC,LJS,LTK1,LXU,QWA4,QXU,SAJ4,SKR,SM11,SSX2,SWX2,SWX4,SXS4,UXU,VED6,VMT,VXU,WDA6,WKD6,WKT4,WME4  |
|          |               |                                      | -         | -   | (1) | -   |            | QIH1,UIH   |
|          | 13013-ZH7-003 | RING SET, PISTON (0.75)<br>(TEIKOKU) | (1)       | (1) | -   | -   | 3993726    | AR,DKR,DS,HHQ4,HTF2,HX,HXU,HX2,HX26,HX4,H1,KR,KRA4,KRT,KRT4,KRT6,LAJ4,LD,LH,LHQ4,LJ,LJC,LJD2,LJS,LSJ,LSJ4,LTJ,LTK1,LTR,LX,LXU,LX2,LX26,LX4,PH,PM,PX,PX2,QA,QA2,QB26,QD,QH,QHQ4,QH26,QJG2,QLL,QM,QMA4,QMA8,QME4,QMX2,QT,QTC2,QWA4,QX,QXC9,QXG2,QXS2,QXU,QX2,QX26,QX4,Q1,RD,RD4,RHC,RHQ4,RX,RX4,R1,SAJ,SAJ4,SCJ,SD,SD16,SD4,SE,SG24,SH,SHQ4,SJ,SJC1,SJC5,SKJ,SKR,SMA7,SMJ,SMW2,SM11,SSK3,SSX2,SSX4,STP,STS,SWX2,SWX4,SX,SXS4,SX4,TH,TX,TX2,TX26,TX4,UH,UX,UXU,VED,VED1,VED6,VEE1,VET,VEX,VMS4,VMT,VPR4,VSX,VSX1,VX,VXU,VX4,WDA6,WD12,WJ,WJP,WJP1,WKD6,WKT2,WKT4,WMA3,WME2,WME4,WM1 |
|          |               |                                      | (1)       | -   | -   | -   |            | HT2,KRF4,KRS4,LTS,QX7,SJD2,SM12,SM14,SX7,VEK,VEX7,VX7,WKT6   |





ZH70-E0800



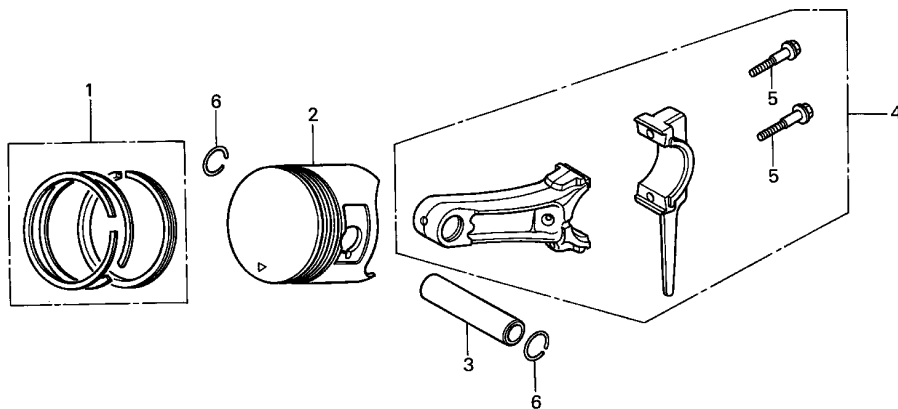
2

| Ref. No. | Part No.      | Description                         | Reqd. QTY |     |     |     | Serial No.  | Parts catalogue code  |
|----------|---------------|-------------------------------------|-----------|-----|-----|-----|---|---|
|          |               |                                     | (1)       | (2) | (3) | (4) |   |   |
| (1)      | 13013-ZH7-004 | RING SET, PISTON (0.75)<br>(NIPPON) | (1)       | (1) | -   | -   | 3993726   | AR,DKR,DS,HHQ4,HTF2,HX,HXU,HX2,HX26,HX4,H1,KR,KRA4,KRT,KRT4,KRT6,LAJ4,LD,LH,LHQ4,LJ,LJC,LJD2,LJS,LSJ,LSJ4,LTJ,LTK1,LTR,LX,LXU,LX2,LX26,LX4,PH,PM,PX,PX2,QA,QA2,QB26,QD,QH,QHQ4,QH26,QJG2,QLL,QM,QMA4,QMA8,QME4,QMX2,QT,QTC2,QWA4,QX,QXC9,QXG2,QXS2,QXU,QX2,QX26,QX4,Q1,RD,RD4,RHC,RHQ4,RX,RX4,R1,SAJ,SAJ4,SCJ,SD,SD16,SD4,SE,SG24,SH,SHQ4,SJ,SJC1,SJC5,SKJ,SKR,SMA7,SMJ,SMW2,SM11,SSK3,SSX2,SSX4,STP,STS,SWX2,SWX4,SX,SXS4, SX4,TH,TX,TX2,TX26,TX4,UH,UX,UXU,VED,VED1,VED6,VEE1,VET,VEX,VMS4,VMT,VPR4,VSX,VSX1,VX,VXU,VX4,WDA6,WD12,WJ,WJP,WJP1,WKD6,WKT2,WKT4,WMA3,WME2,WME4,WM1 |
|          | 13013-ZE6-013 | .....                               | (1)       | -   | -   | -   | HT2,KRF4,KRS4,LTS,QX7,SJD2,SM12,SM14,SX7,VEK,VEX7,VX7,WKT6            |   |
|          |               | .....                               | (1)       | (1) | (1) | -   | EN,ET,ETX,HH,LDB1,LD4,LE,LW2,PM2,QBU2,RH,SAD2,SW2,UIH,U1,VA,VH,VS1,V1 |   |
|          |               | .....                               | (1)       | (1) | -   | -   | 3284616   | HHQ4,HX,HX26,HX4,H1,LD,LDB3,LEH4,LH,LHQ4,LSJ4,LX,LX26,LX4,L1,PH,PM,PX,QA,QA26,QB26,QD,QE,QEH,QH,QHQ4,QH26,QLL,QM,QMA4,QMA8,QME4,QMH,GPU,QT,QX,QX26,QX4,Q1,RD,RD4,RHC,RHQ4,RX,RX4,R1,SD,SDB1,SDB3,SD16,SD4,SE,SH,SHQ4,SMA7,SN,SSX4,SX, SX4,S1,TH,TX,TX26,TX4,UH,UX,VAX4,VED,VED1,VEX,VMS4,VPR4,VS,VSX,VSX1,VX,VX4,WMA3,WM1,W1  |
| 2        | 13101-ZF0-901 | PISTON (STD.)                       | -         | -   | -   | (1) | SN,UIH  |   |

| Ref. No. | Part No.      | Description    | Reqd. QTY |                |     | Serial No. | Parts catalogue code  |
|----------|---------------|----------------|-----------|----------------|-----|------------|---|
|          |               |                | (1)       | GX120K1<br>(2) | (3) |            |   |
| (2)      | 13101-ZH7-000 | PISTON (STD.)  | 1         | 1              | -   | -          | AR,DKR,EN,ET,ETX,HH,HHQ4,HXQ,HXU,HX4,KR,KRA4,KRT,KRT4,KRT6,LAJ4,LDB1,LDB3,LD4,LE,LEH4,LHQ4,LJC,LJD2,LJT,LSJ,LSJ4,LTA,LTK1,LW2,LXU,LX4,L1,PM2,QA2,QA26,QBU2,QB26,QE,QEH,QHQ4,QH2,QJG2,QJW1,QMA4,QMA8,QME4,QMH,QPU,QSJ,QWA4,QXC,QXG,QXQ,QXS,QXU,QX4,RD4,RH,RHQ4,RX4,SAD2,SAJ4,SDB1,SDB3,SD4,SHQ4,SJC,SJC5,SKR,SMA7,SSK1,SSK2,SW2,SXS4,SX4,S1,TH,UXU,U1,VA,VAX4,VEE1,VH,VMS4,VMT,VPR4,VS,VS1,VXU,VX4,V1,WDJ,WD12,WJ1,WKT4,WMA3,WME4,WM1,W1   |
|          |               |                | 1         | 1              | -   | -          | 3993725 DS,HTF2,HX,HX2,HX26,H1,LD,LH,LJ,LJS,LTJ,LTR,LX,LX2,LX26,PH,PX,PX2,QA,QA2,QD,QH,QH26,QLL,QMX2,QTC2,QX,QXC9,QXG2,QXS2,QX2,QX26,Q1,RD,RHC,RX,R1,SAJ,SCJ,SD,SD16,SE,SG24,SH,SJ,SJC1,SKJ,SMJ,SMW2,SSK3,SSX2,SSX4,STP,STS,SWX2,SWX4,SX,TH,TX,TX2,TX26,UH,UX,VED,VED1,VED6,VET,VEX,VSX,VSX1,VX,WDA6,WJ,WJP,WJP1,WKD6,WKT2,WME2   |
|          | 13102-ZH7-000 | PISTON (0.25)  | -         | -              | -   | 1          | EN,ET,ETX,HH,HXQ,LDB1,LDB3,LD4,LE,LEH4,LJT,LTA,LW2,L1,PM,PM2,QA2,QA26,QBU2,QE,QEH,QH2,QJW1,QM,QMH,QPU,QSJ,QT,QXC,QXG,QXQ,QXS,RH,SAD2,SDB1,SDB3,SJC,SN,SSK1,SSK2,SW2,S1,UIH,U1,VA,VAX4,VH,VS,VS1,V1,WDJ,WJ1,W1   |
|          |               |                | (1)       | (1)            | -   | -          | 3993725 AR,DKR,DS,HHQ4,HTF2,HX,HXU,HX2,HX26,HX4,H1,KR,KRA4,KRT,KRT4,KRT6,LAJ4,LD,LH,LHQ4,LJ,LJC,LJD2,LJS,LSJ,LSJ4,LTJ,LTK1,LTR,LX,LXU,LX2,LX26,LX4,PH,PX,PX2,QA,QA2,QB26,QD,QH,QHQ4,QH26,QJG2,QLL,QMA4,QMA8,QME4,QMX2,QTC2,QWA4,QX,QXC9,QXG2,QXS2,QXU,QX2,QX26,QX4,Q1,RD,RD4,RHC,RHQ4,RX,RX4,R1,SAJ,SAJ4,SCJ,SD,SD16,SD4,SE,SG24,SH,SHQ4,SJ,SJC1,SJC5,SKJ,SKR,SMA7,SMJ,SMW2,SSK3,SSX2,SSX4,STP,STS,SWX2,SWX4,SX,SXS4,SX4,TH,TX,TX2,TX26,UX,UXU,UXU,VED,VED1,VED6,VEE1,VET,VEX,VMS4,VMT,VPR4,VSX,VSX1,VX,VXU,VX4,WDA6,WD12,WJ,WJP,WJP1,WKD6,WKT2,WKT4,WMA3,WME2,WME4,WM1 |
|          | 13103-ZH7-000 | PISTON (0.50)  | -         | -              | -   | (1)        | EN,ET,ETX,HH,HXQ,LDB1,LDB3,LD4,LE,LEH4,LJT,LTA,LW2,L1,PM,PM2,QA2,QA26,QBU2,QE,QEH,QH2,QJW1,QM,QMH,QPU,QSJ,QT,QXC,QXG,QXQ,QXS,RH,SAD2,SDB1,SDB3,SJC,SN,SSK1,SSK2,SW2,S1,UIH,U1,VA,VAX4,VH,VS,VS1,V1,WDJ,WJ1,W1   |
|          |               |                | (1)       | (1)            | -   | -          | 3993725 AR,DKR,DS,HHQ4,HTF2,HX,HXU,HX2,HX26,HX4,H1,KR,KRA4,KRT,KRT4,KRT6,LAJ4,LD,LH,LHQ4,LJ,LJC,LJD2,LJS,LSJ,LSJ4,LTJ,LTK1,LTR,LX,LXU,LX2,LX26,LX4,PH,PX,PX2,QA,QA2,QB26,QD,QH,QHQ4,QH26,QJG2,QLL,QMA4,QMA8,QME4,QMX2,QTC2,QWA4,QX,QXC9,QXG2,QXS2,QXU,QX2,QX26,QX4,Q1,RD,RD4,RHC,RHQ4,RX,RX4,R1,SAJ,SAJ4,SCJ,SD,SD16,SD4,SE,SG24,SH,SHQ4,SJ,SJC1,SJC5,SKJ,SKR,SMA7,SMJ,SMW2,SSK3,SSX2,SSX4,STP,STS,SWX2,SWX4,SX,SXS4,SX4,TH,TX,TX2,TX26,UX,UXU,UXU,VED,VED1,VED6,VEE1,VET,VEX,VMS4,VMT,VPR4,VSX,VSX1,VX,VXU,VX4,WDA6,WD12,WJ,WJP,WJP1,WKD6,WKT2,WKT4,WMA3,WME2,WME4,WM1 |
|          | 13104-ZH7-000 | PISTON (0.75)  | -         | -              | -   | (1)        | EN,ET,ETX,HH,HXQ,LDB1,LDB3,LD4,LE,LEH4,LJT,LTA,LW2,L1,PM,PM2,QA2,QA26,QBU2,QE,QEH,QH2,QJW1,QM,QMH,QPU,QSJ,QT,QXC,QXG,QXQ,QXS,RH,SAD2,SDB1,SDB3,SJC,SN,SSK1,SSK2,SW2,S1,UIH,U1,VA,VAX4,VH,VS,VS1,V1,WDJ,WJ1,W1   |
|          |               |                | (1)       | (1)            | -   | -          | 3993725 AR,DKR,DS,HHQ4,HTF2,HX,HXU,HX2,HX26,HX4,H1,KR,KRA4,KRT,KRT4,KRT6,LAJ4,LD,LH,LHQ4,LJ,LJC,LJD2,LJS,LSJ,LSJ4,LTJ,LTK1,LTR,LX,LXU,LX2,LX26,LX4,PH,PX,PX2,QA,QA2,QB26,QD,QH,QHQ4,QH26,QJG2,QLL,QMA4,QMA8,QME4,QMX2,QTC2,QWA4,QX,QXC9,QXG2,QXS2,QXU,QX2,QX26,QX4,Q1,RD,RD4,RHC,RHQ4,RX,RX4,R1,SAJ,SAJ4,SCJ,SD,SD16,SD4,SE,SG24,SH,SHQ4,SJ,SJC1,SJC5,SKJ,SKR,SMA7,SMJ,SMW2,SSK3,SSX2,SSX4,STP,STS,SWX2,SWX4,SX,SXS4,SX4,TH,TX,TX2,TX26,UX,UXU,UXU,VED,VED1,VED6,VEE1,VET,VEX,VMS4,VMT,VPR4,VSX,VSX1,VX,VXU,VX4,WDA6,WD12,WJ,WJP,WJP1,WKD6,WKT2,WKT4,WMA3,WME2,WME4,WM1 |
|          | 13101-ZF0-020 | PISTON (E=7.5) | 1         | -              | 1   | -          | PM,QIH1,QM,QT   |
|          | 13101-ZF0-902 | PISTON (STD.)  | -         | -              | 1   | -          | WIH1  |







ZH70-E0800

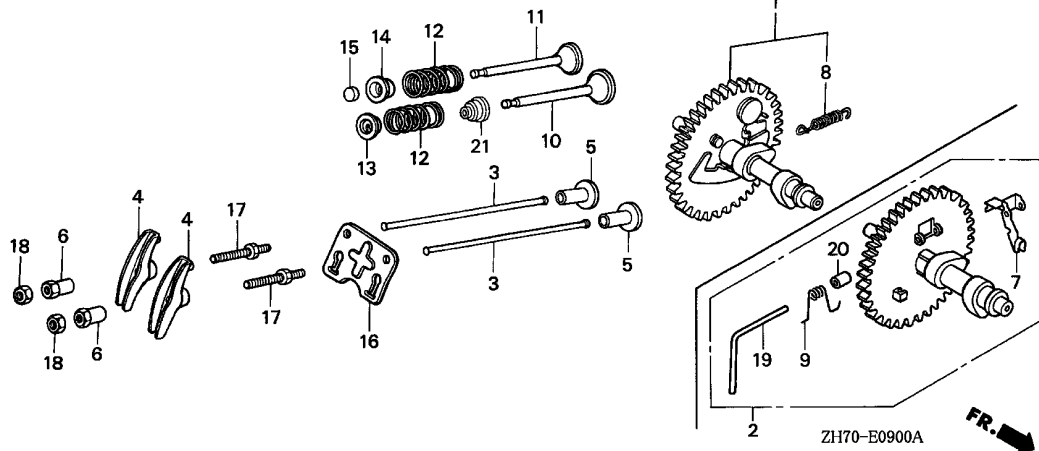


2

| Ref. No. | Part No.      | Description   | Reqd. QTY |     |     |     | Serial No. | Parts catalogue code   |
|----------|---------------|---------------|-----------|-----|-----|-----|------------|--|
|          |               |               | (1)       | (2) | (3) | (4) |            |  |
| (2)      | 13101-ZH7-010 | PISTON (STD.) | 1         | 1   | -   | -   | 3993726    | AR,DKR,DS,HHQ4,HTF2,HX,HXU,HX2,HX26,HX4,H1,KR,KRA4,KRT,KRT4,KRT6,LAJ4,LD,LH,LHQ4,LJ,LJC,LJD2,LJS,LSJ,LSJ4,LTJ,LTK1,LTR,LX,LXU,LX2,LX26,LX4,PH,PX,PX2,QA,QA2,QB26,QD,QH,QHQ4,QH26,QJG2,QLL,QMA4,QMA8,QME4,QMX2,QTC2,QWA4,QX,QXC9,QXG2,QXS2,QXU,QX2,QX26,QX4,Q1,RD,RD4,RHC,RHQ4,RX,RX4,R1,SAJ,SAJ4,SCJ,SD,SD16,SD4,SE,SG24,SH,SHQ4,SJ,SJC1,SJC5,SKJ,SKR,SMA7,SMJ,SMW2,SSK3,SSX2,SSX4,STP,STS,SWX2,SWX4,SX,SXS4,SX4,TH,TX,TX2,TX26,TX4,UH,UX,UXU,VED,VED1,VED6,VEE1,RET,VEX,VMS4,VMT,VPR4,VSX,VSX1,VX,VXU,VX4,WDA6,WD12,WJ,WJP,WJP1,WKD6,WKT2,WKT4,WMA3,WME2,WME4,WM1,HT2,KRF4,KRS4,LTS,QX7,SJD2,SM11,SM12,SM14,SX7,VEK,VEX7,VX7,WKT6 |
|          | 13102-ZH7-010 | PISTON (0.25) | (1)       | (1) | -   | -   | 3993726    | AR,DKR,DS,HHQ4,HTF2,HX,HXU,HX2,HX26,HX4,H1,KR,KRA4,KRT,KRT4,KRT6,LAJ4,LD,LH,LHQ4,LJ,LJC,LJD2,LJS,LSJ,LSJ4,LTJ,LTK1,LTR,LX,LXU,LX2,LX26,LX4,PH,PX,PX2,QA,QA2,QB26,QD,QH,QHQ4,QH26,QJG2,QLL,QMA4,QMA8,QME4,QMX2,QTC2,QWA4,QX,QXC9,QXG2,QXS2,QXU,QX2,QX26,QX4,Q1,RD,RD4,RHC,RHQ4,RX,RX4,R1,SAJ,SAJ4,SCJ,SD,SD16,SD4,SE,SG24,SH,SHQ4,SJ,SJC1,SJC5,SKJ,SKR,SMA7,SMJ,SMW2,SSK3,SSX2,SSX4,STP,STS,SWX2,SWX4,SX,SXS4,SX4,TH,TX,TX2,TX26,TX4,UH,UX,UXU,VED,VED1,VED6,VEE1,RET,VEX,VMS4,VMT,VPR4,VSX,VSX1,VX,VXU,VX4,WDA6,WD12,WJ,WJP,WJP1,WKD6,WKT2,WKT4,WMA3,WME2,WME4,WM1,HT2,KRF4,KRS4,LTS,QX7,SJD2,SM11,SM12,SM14,SX7,VEK,VEX7,VX7,WKT6 |

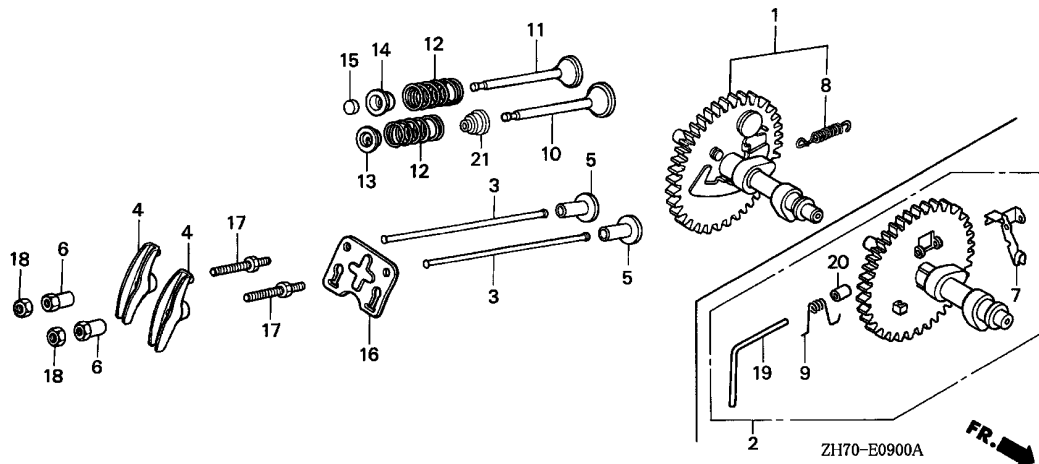
| Ref. No. | Part No.      | Description                           | Reqd. QTY |     |     |     | Serial No. | Parts catalogue code  |
|----------|---------------|---------------------------------------|-----------|-----|-----|-----|------------|---|
|          |               |                                       | (1)       | (2) | (3) | (4) |            |   |
| (2)      | 13103-ZH7-010 | PISTON (0.50) .....                   | (1)       | (1) | -   | -   | 3993726    | AR,DKR,DS,HHQ4,HTF2,HX,HXU,HX2,HX26,HX4,H1,KR,KRA4,KRT,KRT4<br>KRT6,LAJ4,LD,LH,LHQ4,LJ,LJC,LJD2,LJS,LSJ,LSJ4,LTJ,LTK1,LTR,LX<br>LXU,LX2,LX26,LX4,PH,PX,PX2,QA,QA2,QB26,QD,QH,QHQ4,QH26,QJG2<br>QLL,QMA4,QMA8,QME4,QMX2,QTC2,QWA4,QX,QXC9,QXG2,QXS2,QXU,QX2<br>QX26,QX4,Q1,RD,RD4,RHC,RHQ4,RX,RX4,R1,SAJ,SAJ4,SCJ,SD,SD16,SD4<br>SE,SG24,SH,SHQ4,SJ,SJC1,SJC5,SKJ,SKR,SMA7,SMJ,SMW2,SSK3,SSX2<br>SSX4,STP,STS,SWX2,SWX4,SX,SXS4,SX4,TH,TX,TX2,TX26,TX4,UH,UX<br>UXU,VED,VED1,VED6,VEE1,RET,VEX,VMS4,VMT,VPR4,VSX,VXS1,VX,VXU<br>VX4,WDA6,WD12,WJ,WJP,WJP1,WKD6,WKT2,WKT4,WMA3,WME2,WME4,WM1<br>HT2,KRF4,KRS4,LTS,QX7,SJD2,SM11,SM12,SM14,SX7,VEK,VEX7,WX7<br>WKT6  |
|          | 13104-ZH7-010 | PISTON (0.75) .....                   | (1)       | (1) | -   | -   | 3993726    | AR,DKR,DS,HHQ4,HTF2,HX,HXU,HX2,HX26,HX4,H1,KR,KRA4,KRT,KRT4<br>KRT6,LAJ4,LD,LH,LHQ4,LJ,LJC,LJD2,LJS,LSJ,LSJ4,LTJ,LTK1,LTR,LX<br>LXU,LX2,LX26,LX4,PH,PX,PX2,QA,QA2,QB26,QD,QH,QHQ4,QH26,QJG2<br>QLL,QMA4,QMA8,QME4,QMX2,QTC2,QWA4,QX,QXC9,QXG2,QXS2,QXU,QX2<br>QX26,QX4,Q1,RD,RD4,RHC,RHQ4,RX,RX4,R1,SAJ,SAJ4,SCJ,SD,SD16,SD4<br>SE,SG24,SH,SHQ4,SJ,SJC1,SJC5,SKJ,SKR,SMA7,SMJ,SMW2,SSK3,SSX2<br>SSX4,STP,STS,SWX2,SWX4,SX,SXS4,SX4,TH,TX,TX2,TX26,TX4,UH,UX<br>UXU,VED,VED1,VED6,VEE1,RET,VEX,VMS4,VMT,VPR4,VSX,VXS1,VX,VXU<br>VX4,WDA6,WD12,WJ,WJP,WJP1,WKD6,WKT2,WKT4,WMA3,WME2,WME4,WM1<br>HT2,KRF4,KRS4,LTS,QX7,SJD2,SM11,SM12,SM14,SX7,VEK,VEX7,WX7<br>WKT6  |
| 3        | 13111-ZE0-000 | PIN, PISTON .....                     | 1         | 1   | 1   | 1   |            |   |
| 4        | 13200-ZE0-000 | ROD ASSY., CONNECTING .....           | 1         | 1   | 1   | 1   |            |   |
|          | 132A0-ZE0-000 | ROD ASSY., CONNECTING<br>(UNDER SIZE) | (1)       | -   | -   | -   |            | AR,DKR,DS,EN,ET,ETX,HH,HHQ4,HTF2,HT2,HX,HXQ,HXU,HX2,HX26,HX4<br>KR,KRA4,KRF4,KRT,KRT4,KRT6,LAJ4,LD,LDB1,LDB3,LD4,LE,LEH4,LH<br>LHQ4,LJ,LJC,LJD2,LJS,LJT,LSJ,LSJ4,LTA,LTJ,LTK1,LTR,LW2,LX,LXU<br>LX2,LX26,LX4,PH,PM,PM2,PX,PX2,QA,QAA2,QA2,QA26,QBU2,QB26,QD,QE<br>QEH,QH,QHQ4,QH2,QH26,QJW1,QLL,QM,QMA4,QMA8,QME4,QMH,QMX2,QPU<br>QSJ,QT,QTC2,QWA4,QX,QXC,QXC9,QXG,QXG2,QXQ,QXS,QXS2,QXU,QX2<br>QX26,QX4,RD,RD4,RH,RHC,RHQ4,RX,RX4,SAD2,SAJ,SAJ4,SCJ,SD,SDB1<br>SDB3,SD16,SD4,SE,SG24,SH,SHQ4,SJ,SJC,SJC1,SJC5,SJD2,SKJ,SKR<br>SMA7,SMJ,SMW2,SM11,SM14,SN,SSK1,SSK2,SSK3,SSX4,STP,STS,SWX2<br>SWX4,SW2,SX,SXS4,SX4,TH,TX,TX2,TX26,TX4,UH,UX,UXU,VA,VAX4,VED<br>VED1,VED6,VEE1,VEK,RET,VEX,VH,VMS4,VMT,VPR4,VS,VSX,VXS1,VS1,VX<br>VXU,VX4,WDA6,WDJ,WJ,WJP,WJP1,WJ1,WKD6,WKT2,WKT4,WKT6,WMA3,WME2<br>WME4,WM1 |
| 5        | 90001-ZE1-000 | BOLT, CONNECTING ROD .....            | -         | (1) | (1) | (1) |            |   |
| 6        | 90551-ZE0-000 | CLIP, PISTON PIN, 13MM .....          | 2         | 2   | 2   | 2   |            |   |





| Ref. No. | L.O.N.  | (Relative ref. Number) Description                                  | F.R.T. |
|----------|---------|---|--------|
| 1        |         | (2)   |        |
| 1        | 1111C2  | CAMSHAFT .....<br>.INCLUDES: Valve clearance adjustment             | 0.4    |
| 3        | 1111L6  | ROD, PUSH :INTAKE .....<br>.INCLUDES: Valve clearance adjustment    | 0.2    |
|          | 1111L6A | .For one add .....  | 0.1    |
|          | 1111L7  | ROD, PUSH :EXHAUST .....<br>.INCLUDES: Valve clearance adjustment   | 0.2    |
|          | 1111L7A | .For one add .....  | 0.1    |
| 4        | 1111A2  | ARM, ROCKER :INTAKE .....<br>.INCLUDES: Valve clearance adjustment  | 0.2    |
|          | 1111A2A | .With exhaust rocker arm add ..                                     | 0.1    |
|          | 1111A1  | ARM, ROCKER :EXHAUST .....<br>.INCLUDES: Valve clearance adjustment | 0.2    |
|          | 1111A1A | .With intake rocker arm add ..                                      | 0.1    |
| 5        | 1111L9  | LIFTER, VALVE :INTAKE .....<br>.NOTE: Same time for two units       | 0.4    |
|          | 1111M0  | LIFTER, VALVE :EXHAUST .....<br>.NOTE: Same time for two units      | 0.4    |
| +10      | 1111L1  | VALVE, INTAKE .....   | 0.7    |

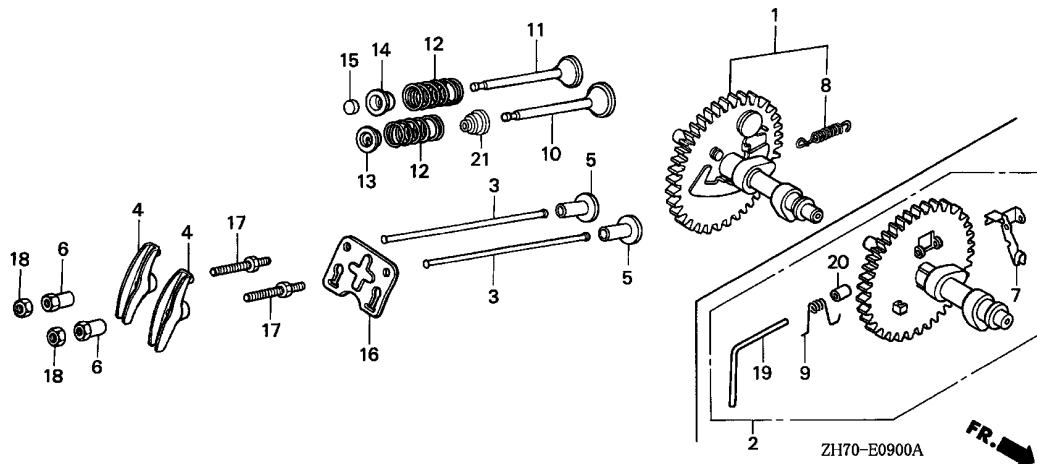
| Ref. No. | Part No.      | Description             | Reqd. QTY |     |     |     | Serial No.   | Parts catalogue code |  |  |  |
|----------|---------------|-------------------------|-----------|-----|-----|-----|--|----------------------|--|--|--|
|          |               |                         | (1)       | (2) | (3) | (4) |  |                      |  |  |  |
| 1        | 14100-ZE0-812 | CAMSHAFT ASSY. ....     | 1         | -   | -   | -   | DS,EN,ET,ETX,HH,HHQ4,HTF2,HT2,HX,HXQ,HXU,HX2,HX26,HX4,LAJ4,LD,LDB1,LDB3,LD4,LE,LEH4,LH,LHQ4,LJ,LJC,LJD2,LJS,LJT,LSJ,LSJ4,LTA,LTJ, LTK1,LTR,LTS,LW2,LX,LXU,LX2,LX26,LX4,PH,PM2,PX,PX2,QA,QAA2,QA2,QA26,QBU2,QB26,QD,QE,QEH,QH,QHQ4,QH2,QH26,QJG2,QJW1,QLL,QMA4,QMA8,QME4,QMH,QMX2,QPU,QSJ,QTC2,QWA4,QX,QXC,QXC9,QXG,QXG2,QXQ,QXS,QXS2,QXU,QX2,QX26,QX4,RD,RD4,RH,RHC,RHQ4,RX,RX4,SAD2,SAJ,SAJ4,SCJ,SD,SDB1,SDB3,SD16,SD4,SE,SG24,SH,SHQ4,SJ,SJD2,SKJ,SKR,SMA7,SMJ,SMW2,SM11,SM12,SM14,SSK1,SSK2,SSK3,SSX2,SSX4,STP,STS,SWX2,SWX4,SW2,SX,SXS4,SX4,TH,TX,TX2,TX26,TX4,UH,UX,UXU,VA,VAX4,VED,VED1,VED6,VEE1,VEK,VET,VEX,VH,VMS4,VMT,VPR4,VS,VSX,VSX1,VS1,VX,VXU,VX4,WDA6,WDJ,WD12,WJ,WJP,WJP1,WKD6,WKT2,WKT4,WKT6,WMA3,WME2,WME4 |                      |  |  |  |
|          | 14100-ZF0-000 | .....                   | -         | 1   | -   | 1   | PM,QM,QT,SJC,SJC1,SJC5,SN  |                      |  |  |  |
|          | 14100-ZH7-B20 | .....                   | 1         | -   | -   | -   | AR,DKR,KR,KRA4,KRF4,KRS4,KRT,KRT4,KRT6   |                      |  |  |  |
|          | 14100-ZK7-870 | .....                   | 1         | -   | -   | -   | QX7,SX7,VEX7,VX7   |                      |  |  |  |
| 2        | 14100-ZK7-800 | CAMSHAFT ASSY. ....     | 1         | -   | -   | -   | WJ1,WM1  |                      |  |  |  |
| 3        | 14410-ZE0-010 | ROD, PUSH .....         | 2         | 2   | 2   | 2   |  |                      |  |  |  |
| 4        | 14431-ZE1-000 | ARM, VALVE ROCKER ..... | 2         | 2   | 2   | 2   |  |                      |  |  |  |



| Ref. No. | L.O.N.  | (Relative ref. Number) Description               | F.R.T. |
|----------|---------|--|--------|
| +10      |         | .INCLUDES: Valve clearance adjustment and reface |        |
|          | 1111L1E | .With intake and exhaust all add .....           | 0.1    |
| 11       | 1111L0  | VALVE, EXHAUST .....                             | 0.7    |
|          |         | .INCLUDES: Valve clearance adjustment and reface |        |
|          | 1111LOE | .With intake and exhaust all add .....           | 0.1    |
| 12       | 1111P3  | SPRING, VALVE :INTAKE .....                      | 0.6    |
|          |         | .INCLUDES: Valve clearance adjustment            |        |
|          | 1111P3A | .For one add .....                               | 0.1    |
|          | 1111P4  | SPRING, VALVE :EXHAUST .....                     | 0.6    |
|          |         | .INCLUDES: Valve clearance adjustment            |        |
|          | 1111P4A | .For one add .....                               | 0.1    |
| 15       | 1111J7  | ROTATOR, VALVE .....                             | 0.2    |
|          |         | .INCLUDES: Valve clearance adjustment            |        |
| 21       | 1111K2  | SEAL, INTAKE VALVE STEM .....                    | 0.6    |
|          |         | .INCLUDES: Valve clearance adjustment            |        |

| Ref. No. | Part No.      | Description         | Reqd. QTY |     |     |     | Serial No. | Parts catalogue code   |
|----------|---------------|---------------------|-----------|-----|-----|-----|------------|--|
|          |               |                     | (1)       | (2) | (3) | (4) |            |  |
| 5        | 14441-ZE1-000 | LIFTER, VALVE ..... | 2         | 2   | -   | -   | 2828018    | DKR,DS,EN,ET,ETX,HH,HHQ4,HTF2,HX,HXQ,HX2,HX26,HX4,H1,KR,KRT,LD,LDB1,LDB3,LD4,LE,LH,LHQ4,LJ,LTA,LTJ,LTR,LW2,LX,LX2,LX26,LX4,L1,PH,PM,PM2,PX,PX2,QA,QAA2,QA2,QA26,QBU2,QD,QE,QEH,QH,QHQ4,QH2,QH26,QLL,QM,QMA4,QMA8,QME4,QMX2,QPU,QSJ,QT,QT2,QX,QXC,QXC9,QXG,QXG2,QXQ,QXS,QXS2,QX2,QX26,QX4,Q1,RD,RD4,RH,RHC,RHQ4,RX,RX4,R1,SAD2,SAJ,SCJ,SD,SDB1,SDB3,SD16,SD4,SE,SG24,SH,SHQ4,SJ,SJC,SKJ,SMA7,SMJ,SMW2,SN,SSK1,SSK2,SSK3,SSX4,STP,STS,SW2,SX,SX4,S1,TH,TX,TX2,TX26,TX4,UH,UX,VA,VAX4,VED,VED1,VET,VEX,VH,VS,VSX,VSX1,VS1,VX,VX4,V1,WDJ,WJ,WJP,WJP1,WKT2,WMA3,WME2,W1,U1  |
|          | 14441-ZE1-010 | .....               | 2         | 2   | -   | -   | 2828019    | DKR,DS,EN,ET,ETX,HH,HHQ4,HTF2,HX,HXQ,HX2,HX26,HX4,H1,KR,KRT,LD,LDB1,LDB3,LD4,LE,LH,LHQ4,LJ,LTA,LTJ,LTR,LW2,LX,LX2,LX26,LX4,L1,PH,PM,PM2,PX,PX2,QA,QAA2,QA2,QA26,QBU2,QD,QE,QEH,QH,QHQ4,QH2,QH26,QLL,QM,QMA4,QMA8,QME4,QMX2,QPU,QSJ,QT,QT2,QX,QXC,QXC9,QXG,QXG2,QXQ,QXS,QXS2,QX2,QX26,QX4,Q1,RD,RD4,RH,RHC,RHQ4,RX,RX4,R1,SAD2,SAJ,SCJ,SD,SDB1,SDB3,SD16,SD4,SE,SG24,SH,SHQ4,SJ,SJC,SKJ,SMA7,SMJ,SMW2,SN,SSK1,SSK2,SSK3,SSX4,STP,STS,SW2,SX,SX4,S1,TH,TX,TX2,TX26,TX4,UH,UX,VA,VAX4,VED,VED1,VET,VEX,VH,VS,VSX,VSX1,VS1,VX,VX4,V1,WDJ,WJ,WJP,WJP1,WKT2,WMA3,WME2,W1,AR,HT2,HXU,KRA4,KRF4,KRS4,KRT4,KRT6,LAJ4,LEH4,LJC,LJD2,LJS,LJT,LSJ,LSJ4,LTK1,LTS,LXU,QB26,QJG2,QJW1,QMH,QWA4,QXU,QX7,SAJ4,SJC1,SJC5,SJD2,SKR,SM11,SM12,SM14,SSX2,SWX2,SWX4,SXS4, SX7,UXU,VED6,VEE1,VEK,VEX7,VMS4,VMT,VPR4,VXU,VX7,WDA6,WD12,WJ1,WKD6,WKT4,WKT6,WME4,WM1 |
|          |               |                     | -         | -   | 2   | 2   |            |  |



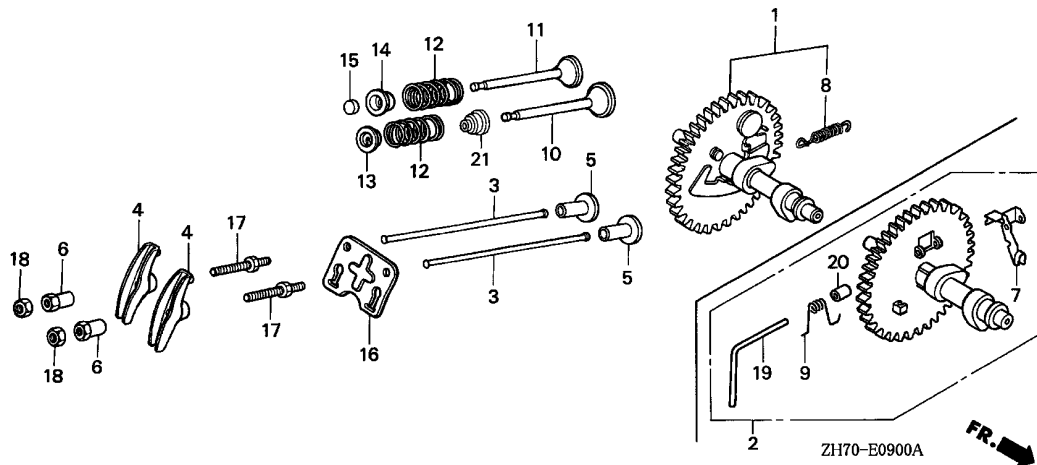


2

| Ref. No. | Part No.      | Description                  | Reqd. QTY |     |     |     | Serial No.   | Parts catalogue code |
|----------|---------------|------------------------------|-----------|-----|-----|-----|--|----------------------|
|          |               |                              | (1)       | (2) | (3) | (4) |  |                      |
| 6        | 14451-ZE1-003 | PIVOT, ROCKER ARM .....      | 2         | -   | 2   | -   | DS,EN,ET,ETX,HH,HXU,LD,LE,LH,LJ,LTA,LW2,LX,LXU,PH,PM,PM2,PX,QD<br>QE,QEH,QH,QM,QSJ,QT,QXU,RD,RH,RX,SD,SE,SH,SJ,SKJ,SMJ,SN,STS<br>SW2,SX,TH,UH,UIH,UX,UXU,VA,VED,VED1,VET,VH,VS,VSX,VS1,VX,VXU<br>WJ<br>2257853 HX,HXQ,HX2,LX2,QA,QA2,QH2,QX,QXC,QXG,QXG2,QXQ,QXS,QXS2,QX2,TX<br>TX2  |                      |
|          | 14451-ZE1-013 | .....                        | -         | 2   | -   | 2   | AR,DKR,HHQ4,HTF2,HT2,HX26,HX4,KR,KRA4,KRF4,KRS4,KRT,KRT4,KRT6<br>LAJ4,LDB1,LDB3,LD4,LEH4,LHQ4,LJC,LJD2,LJS,LJT,LSJ,LSJ4,LTJ<br>LTK1,LTR,LTS,LX26,LX4,PX2,QAA2,QA26,QBU2,QB26,QHQ4,QH26,QIH1<br>QJG2,QJW1,QLL,QMA4,QMA8,QME4,QMH,QMX2,QPU,QTC2,QWA4,QXC9,QX26<br>QX4,QX7,RD4,RHC,RHQ4,RX4,SAD2,SAJ,SAJ4,SCJ,SDB1,SDB3,SD16,SD4<br>SG24,SHQ4,SJC,SJC1,SJC5,SJD2,SKR,SMA7,SMW2,SM11,SM12,SM14,SSK1<br>SSK2,SSK3,SSX2,SSX4,STP,SWX2,SWX4,SXS4,SX4,SX7,TX26,TX4,VAX4<br>VED6,VEE1,VEK,VEX,VEX7,VMS4,VMT,VPR4,VSX1,VX4,VX7,WDA6,WDJ<br>WD12,WIH1,WJP,WJP1,WJ1,WKD6,WKT2,WKT4,WKT6,WMA3,WME2,WME4,WM1<br>2257854 HX,HXQ,HX2,LX2,QA,QA2,QH2,QX,QXC,QXG,QXG2,QXQ,QXS,QXS2,QX2,TX<br>TX2 |                      |
| 7        | 14560-ZK7-800 | WEIGHT COMP., DECOMPER ..... | 1         | -   | -   | -   | WJ1,WM1  |                      |

| Ref. No. | Part No.      | Description                   | Reqd. QTY |                |     |     | Serial No.  | Parts catalogue code |
|----------|---------------|-------------------------------|-----------|----------------|-----|-----|---|----------------------|
|          |               |                               | (1)       | GX120K1<br>(2) | (3) | (4) |   |                      |
| 8        | 14568-ZE1-000 | SPRING, WEIGHT RETURN .....   | 1         | -              | -   | -   | AR,DKR,DS,EN,ET,ETX,HH,HHQ4,HTF2,HT2,HX,HXQ,HXU,HX2,HX26,HX4<br>KR,KRA4,KRF4,KRS4,KRT,KRT4,KRT6,LAJ4,LD,LDB1,LDB3,LD4,LE,LEH4<br>LH,LHQ4,LJ,LJC,LJD2,LJS,LJT,LSJ,LSJ4,LTA,LTJ,LTK1,LTR,LTS,LW2<br>LX,LXU,LX2,LX26,LX4,PH,PM,PM2,PX,PX2,QA,QAA2,QA2,QA26,QBU2<br>QB26,QD,QE,QEH,QH,QHQ4,QH2,QH26,QJG2,QJW1,QLL,QM,QMA4,QMA8<br>QME4,QMH,QMX2,QPU,QSJ,QT,QTC2,QWA4,QX,QXC,QXC9,QXG,QXG2,QXQ<br>QXS,QXS2,QXU,QX2,QX26,QX4,QX7,RD,RD4,RH,RHC,RHQ4,RX,RX4,SAD2<br>SAJ,SAJ4,SCJ,SD,SDB1,SDB3,SD16,SD4,SE,SG24,SH,SHQ4,SJ,SJC,SJC1<br>SJC5,SJD2,SKJ,SKR,SMA7,SMJ,SMW2,SM11,SM12,SM14,SN,SSK1,SSK2<br>SSK3,SSX2,SSX4,STP,STS,SWX2,SWX4,SW2,SX,SXS4,SX4,SX7,TH,TX,TX2<br>TX26,TX4,UH,UX,UXU,VA,VAX4,VED,VED1,VED6,VEE1,VEK,VET,VEX,VEX7<br>VH,VMS4,VMT,VPR4,VS,VSX,VSX1,VS1,VX,VXU,VX4,VX7,WDA6,WDJ,WD12<br>WJ,WJP,WJP1,WKD6,WKT2,WKT4,WKT6,WMA3,WME2,WME4 |                      |
| 9        | 14568-ZG9-800 | SPRING, WEIGHT RETURN .....   | -         | 1              | 1   | 1   | WJ1,WM1   |                      |
| 10       | 14711-ZF0-000 | VALVE, IN. ....               | 1         | -              | -   | -   | AR,DKR,DS,EN,ET,ETX,HH,HHQ4,HTF2,HX,HXQ,HXU,HX2,HX26,HX4,KR<br>KRA4,KRT,KRT4,KRT6,LAJ4,LD,LDB1,LDB3,LD4,LE,LEH4,LH,LHQ4,LJ<br>LJC,LJD2,LJS,LJT,LSJ,LSJ4,LTA,LTJ,LTK1,LTR,LW2,LX,LXU,LX2,LX26<br>LX4,PH,PM,PM2,PX,PX2,QA,QAA2,QA2,QA26,QBU2,QB26,QD,QE,QEH,QH<br>QH2,QH26,QJG2,QJW1,QLL,QM,QMA4,QMA8,QME4,QMH,QMX2,QPU,QSJ<br>QT,QTC2,QWA4,QX,QXC,QXC9,QXG,QXG2,QXQ,QXS,QXS2,QXU,QX2,QX26<br>QX4,RD,RD4,RH,RHC,RHQ4,RX,RX4,SAD2,SAJ,SAJ4,SCJ,SD,SDB1,SDB3<br>SD16,SD4,SE,SG24,SH,SHQ4,SJ,SJC,SJC1,SJC5,SKJ,SKR,SMA7,SMJ<br>SMW2,SN,SSK1,SSK2,SSK3,SSX2,SSX4,STP,STS,SWX2,SWX4,SW2,SX,SXS4<br>SX4,TH,TX,TX2,TX26,TX4,UH,UX,UXU,VA,VAX4,VED,VED1,VED6,VEE1<br>VET,VEX,VH,VMS4,VMT,VPR4,VS,VSX,VSX1,VS1,VX,VXU,VX4,WDA6,WDJ<br>WD12,WJ,WJP,WJP1,WJ1,WKD6,WKT2,WKT4,WMA3,WME2,WME4,WM1   |                      |
|          | 14711-ZF0-010 | .....                         | -         | 1              | 1   | 1   | HT2,KRF4,KRS4,LTS,QX7,SJD2,SM11,SM12,SM14,SX7,VEK,VEX7,VX7<br>WKT6  |                      |
| 11       | 14721-ZE0-810 | VALVE, EX. (STELITE) .....    | -         | (1)            | -   | -   | H1,Q1,R1,U1,V1,W1   |                      |
|          | 14721-ZF0-000 | VALVE, EX. ....               | 1         | -              | -   | -   | AR,DKR,DS,EN,ET,ETX,HH,HHQ4,HTF2,HT2,HX,HXQ,HXU,HX2,HX26,HX4<br>KR,KRA4,KRF4,KRS4,KRT,KRT4,KRT6,LAJ4,LD,LDB1,LDB3,LD4,LE,LEH4<br>LH,LHQ4,LJ,LJC,LJD2,LJS,LJT,LSJ,LSJ4,LTA,LTJ,LTK1,LTR,LTS,LW2<br>LX,LXU,LX2,LX26,LX4,PM,PM2,QA,QAA2,QA2,QA26,QBU2,QB26,QD,QE<br>QEH,QH,QHQ4,QH2,QH26,QJG2,QJW1,QLL,QM,QMA4,QMA8,QME4,QMH,QMX2<br>QPU,QSJ,QT,QTC2,QWA4,QX,QXC,QXC9,QXG,QXG2,QXQ,QXS,QXS2,QXU,QX2<br>QX26,QX4,QX7,RD,RD4,RH,RHC,RHQ4,RX,RX4,SAD2,SAJ,SAJ4,SCJ,SD<br>SDB1,SDB3,SD16,SD4,SE,SG24,SH,SHQ4,SJ,SJC,SJC1,SJC5,SJD2,SKJ<br>SKR,SMA7,SMJ,SMW2,SM11,SM12,SM14,SN,SSK1,SSK2,SSK3,SSX2,SSX4<br>STP,STS,SWX2,SWX4,SW2,SX,SXS4,SX4,SX7,VA,VAX4,VED,VED1,VED6<br>VEE1,VEK,VET,VEX,VEX7,VH,VMS4,VMT,VPR4,VS,VSX,VSX1,VS1,VX,VXU<br>VX4,VX7,WDA6,WDJ,WD12,WJ,WJP,WJP1,WJ1,WKD6,WKT2,WKT4,WKT6,WMA3<br>WME2,WME4,WM1                                |                      |
|          | 14721-ZH7-810 | VALVE, EX. (STELLITE) .....   | -         | (1)            | 1   | -   | PH,PX,PX2,TH,TX,TX2,TX26,TX4,UH,UX,UXU  |                      |
| 12       | 14751-ZF1-000 | SPRING, VALVE .....           | 2         | 2              | 2   | 2   |   |                      |
| 13       | 14771-ZE1-000 | RETAINER, IN. VALVE SPRING .. | 1         | 1              | 1   | 1   |   |                      |
| 14       | 14773-ZE1-000 | RETAINER, EX. VALVE SPRING .. | 1         | 1              | 1   | 1   |   |                      |
| 15       | 14781-ZE1-000 | ROTATOR, VALVE .....          | 1         | 1              | 1   | 1   |   |                      |
| 16       | 14791-ZE0-010 | PLATE, PUSH ROD GUIDE .....   | 1         | 1              | 1   | 1   |   |                      |
| 17       | 90012-ZE0-010 | BOLT, PIVOT, 8MM .....        | 2         | 2              | 2   | 2   |   |                      |
| 18       | 90206-ZE1-000 | NUT, PIVOT ADJUSTING .....    | 2         | 2              | 2   | 2   |   |                      |
| 19       | 90701-ZG9-800 | PIN, WEIGHT CENTER .....      | 1         | -              | -   | -   | WJ1,WM1   |                      |
| 20       | 91502-ZG9-800 | COLLAR, WEIGHT CENTER .....   | 1         | -              | -   | -   | WJ1,WM1   |                      |



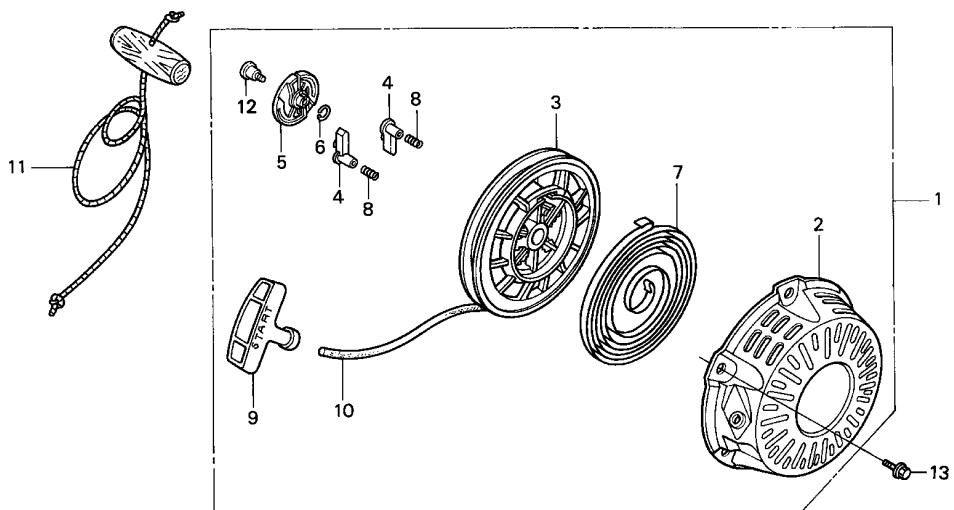


2

| Ref. No. | Part No.      | Description            | Reqd. QTY |     |     |     | Serial No.    | Parts catalogue code  |
|----------|---------------|------------------------|-----------|-----|-----|-----|---------------|---|
|          |               |                        | (1)       | (2) | (3) | (4) |               |   |
|          |               |                        | GX120K1   |     |     |     |               |   |
| 21       | 12209-ZH8-003 | SEAL, VALVE STEM ..... | 1         | 1   | -   | -   | 3993726 ----- | AR,DKR,DS,HHQ4,HTF2,HX,HXU,HX2,HX26,HX4,H1,KR,KRA4,KRT,KRT4<br>KRT6,LAJ4,LD,LH,LHQ4,LJ,LJC,LJD2,LJS,LSJ,LSJ4,LTJ,LTK1,LTR,LX<br>LXU,LX2,LX26,LX4,PH,PM,PX,PX2,QA,QA2,QB26,QD,QH,QHQ4,QH26,QJG2<br>QLL,QM,QMA4,QMA8,QME4,QMX2,QT,QTC2,QWA4,QX,QXC9,QXG2,QXS2,QXU<br>QX2,QX26,QX4,Q1,RD,RD4,RHC,RHQ4,RX,RX4,R1,SAJ,SAJ4,SCJ,SD,SD16<br>SD4,SE,SG24,SH,SHQ4,SJ,SJC1,SJC5,SKJ,SKR,SMA7,SMJ,SMW2,SM11<br>SSK3,SSX2,SSX4,STP,STS,SWX2,SWX4,SX,SXS4,SX4,TH,TX,TX2,TX26<br>TX4,UH,UX,UXU,VED,VED1,VED6,VEE1,VET,VEX,VMS4,VMT,VPR4,VSX<br>VSX1,VX,VXU,VX4,WDA6,WD12,WJ,WJP,WJP1,WKD6,WKT2,WKT4,WMA3,WME2<br>WME4,WM1 |
|          |               |                        | 1         | -   | -   | -   | -----         | HT2,KRF4,KRS4,LTS,QX7,SJD2,SM12,SM14,SX7,VEK,VEX7,VX7,WKT6  |

E-11

RECOIL STARTER(1)



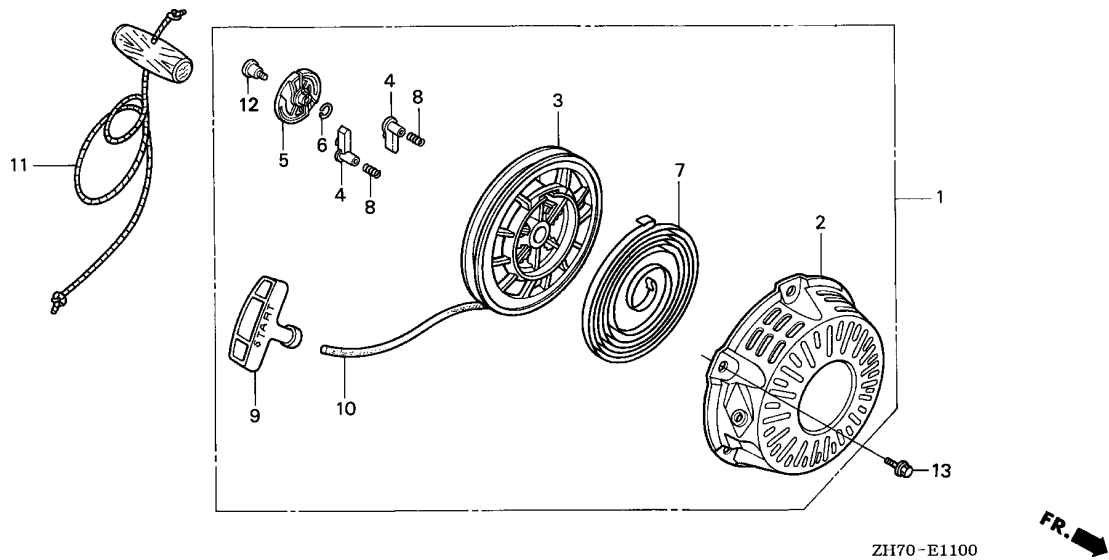
ZH70-E1100

| Ref. No. | L.O.N. | (Relative ref. Number)<br>Description            | F.R.T. |
|----------|--------|--|--------|
| 1        | 1121B9 | STARTER, RECOIL .....                            | 0.1    |
| 3        | 1121B1 | REEL, RECOIL STARTER .....                       | 0.3    |
| 4        | 1121B0 | RATCHET, STARTER AND/OR<br>SPRING, RATCHET ..... | 0.2    |
| 5        | 1121A4 | GUIDE, RATCHET .....                             | 0.2    |
| 7        | 1121B7 | SPRING, RECOIL STARTER RETURN<br>(11)            | 0.3    |
| 10       | 1121B3 | ROPE, RECOIL STARTER .....                       | 0.3    |

| Ref. No. | Part No.        | Description                                  | Reqd. QTY |     |     |     | Serial No.   | Parts catalogue code   |  |
|----------|-----------------|--|-----------|-----|-----|-----|--|--|--|
|          |                 |  | (1)       | (2) | (3) | (4) |  |  |  |
| 1        | 28400-ZH8-013ZA | STARTER ASSY., RECOIL<br>*R8*.....BRIGHT RED | 1         | (1) | -   | -   | EN,ET,ETX,HH,HXQ,LDB1,LDB3,LD4,LE,LEH4,LJT,LTA,LW2,LX26,PH,PM<br>PM2,QA2,QA26,QBU2,QE,QUEH,QH2,QJW1,QMH,QPU,QSJ,QTC2,QWA4,QXC<br>QXG,QXG2,QXQ,QXS,RH,SAD2,SDB1,SDB3,SJC,SKJ,SKR,SN,SW2,S1,TH,UH<br>UX,U1,VA,VAX4,VH,VMT,VS,VS1,V1,WDJ,WJ1,WM1,W1 |  |  |
|          |                 |  | 1         | (1) | -   | -   | 4142273  | AR,DKR,DS,HHQ4,HTF2,HT2,HX,HXU,HX2,HX26,HX4,H1,KR,KRA4,KRF4<br>KRS4,KRT,KRT4,KRT6,LD,LH,LHQ4,LJ,LJC,LJS,LSJ,LSJ4,LTJ,LTJ1,LTR<br>LX,LXU,LX2,LX4,L1,PX,QA,QA2,QD,QH,QHQ4,QH26,QLL,QM,QMA4,QMA8<br>QME4,QMX2,QX,QXC9,QXS2,QXU,QX2,QX26,QX4,QX7,Q1,RD,RD4,RHC,RHQ4<br>RX,RX4,R1,SAJ,SAJ4,SCJ,SD,SD16,SD4,SE,SH,SHQ4,SJ,SJC1,SJC5<br>SMA7,SMJ,SMW2,STP,STS,SX,SXS4,SX4,SX7,TX,TX2,TX26,TX4,UXU,VED<br>VED1,VET,VEX,VEX7,VMS4,VPR4,VSX,VSX1,VX,VXU,VX4,VX7,WDA6,WD12<br>WJ,WJP,WKD6,WKT2,WKT4,WKT6,WMA3,WME2,WME4 |  |
|          |                 |  | 1         | -   | -   | -   | 2169650  | 3463997  | QT   |
|          | 28400-ZH8-013YA | *R280*.....POWER RED                         | 1         | (1) | -   | -   | 4142274  | AR,DKR,DS,HHQ4,HTF2,HT2,HX,HXU,HX2,HX26,HX4,H1,KR,KRA4,KRF4<br>KRS4,KRT,KRT4,KRT6,LD,LH,LHQ4,LJ,LJC,LJS,LSJ,LSJ4,LTJ,LTJ1,LTR<br>LX,LXU,LX2,LX4,L1,PX,QA,QA2,QD,QH,QHQ4,QH26,QLL,QM,QMA4,QMA8<br>QME4,QMX2,QX,QXC9,QXS2,QXU,QX2,QX26,QX4,QX7,Q1,RD,RD4,RHC,RHQ4<br>RX,RX4,R1,SAJ,SAJ4,SCJ,SD,SD16,SD4,SE,SH,SHQ4,SJ,SJC1,SJC5<br>SMA7,SMJ,SMW2,STP,STS,SX,SXS4,SX4,SX7,TX,TX2,TX26,TX4,UXU,VED<br>VED1,VET,VEX,VEX7,VMS4,VPR4,VSX,VSX1,VX,VXU,VX4,VX7,WDA6,WD12<br>WJ,WJP,WKD6,WKT2,WKT4,WKT6,WMA3,WME2,WME4 |  |
|          | 28400-ZH8-013ZB | *NH1*.....BLACK                              | 1         | -   | -   | -   |  |  | LTS  |
|          |                 |  | 1         | -   | -   | -   |  |  | AR,HXQ,HX2,KR,LX2,PX2,QA2,QH2,QMX2,QWA4,QXC9,QXG2,QXQ,QXS2,QX2<br>SG24,SM11,SM12,SM14,SSK1,SSK2,SSK3,SSX2,SSX4,TX2,TX4,VED1,VED6<br>VEE1,VSX |
|          | 28400-ZH8-013ZG | *NH105*...MAT BLACK (#15-#20)                | 1         | -   | -   | -   | 2242263  |  | QX,TX  |
|          |                 |  | 1         | -   | -   | -   |  |  | LJD2,QJG2,SJD2,SWX2,SWX4   |





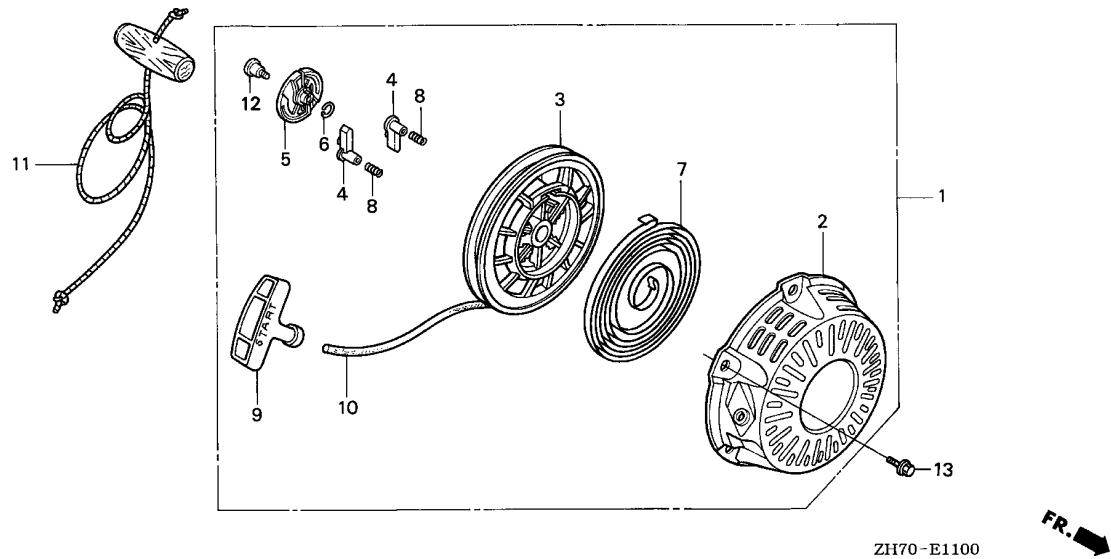


ZH70-E1100

| Ref. No. | Part No.        | Description                    | Reqd. QTY |     |     |         | Serial No.   | Parts catalogue code |
|----------|-----------------|--------------------------------|-----------|-----|-----|---------|--|----------------------|
|          |                 |                                | (1)       | (2) | (3) | (4)     |  |                      |
| (1)      | 28400-ZH8-013ZJ | STARTER ASSY., RECOIL          |           |     |     |         |  |                      |
|          | *T51*           | .....JACOBSEN ORANGE           | 1         | -   | -   | -       | ----- QJG2,QXG2  |                      |
|          |                 |                                | 1         | -   | -   | 2243557 | ----- QXG  |                      |
|          | 28400-ZH8-013ZK | *NH31*.....MCKINLEY WHITE      | 1         | -   | -   | -       | ----- VEK  |                      |
|          | 28400-ZH8-013ZM | *NH246*.....LOOSEY GRAY        | 1         | -   | -   | -       | ----- VPR4   |                      |
|          | 28400-ZH8-013ZQ | *Y131*.....LIGHTNING YELLOW    | 1         | -   | -   | -       | ----- VSX1   |                      |
|          | 28400-ZH8-013ZS | *T76*.....IRIS GREEN           | 1         | -   | -   | -       | ----- WJP1   |                      |
|          | 28400-ZH8-013ZT | *T77*.....SEC WINE RED         | 1         | -   | -   | -       | ----- VSX,VSX1   |                      |
|          | 28400-ZH8-013ZV | *T79*.....BOMBARDIER YELLOW    | 1         | -   | -   | -       | ----- QB26   |                      |
|          | 28400-ZH8-013ZW | *T80*.....BAKELITE ORANGE      | 1         | -   | -   | 3892283 | ----- VSX,VSX1   |                      |
|          | 28400-ZH8-R10ZA | STARTER ASSY., RECOIL (TURFCO) |           |     |     |         |  |                      |
|          | *R8*            | .....BRIGHT RED                | 1         | -   | -   | -       | ----- LAJ4   |                      |
| 2        | 28410-ZH8-003ZA | CASE COMP., RECOIL STARTER     |           |     |     |         |  |                      |
|          | *R8*            | .....BRIGHT RED                | 1         | (1) | -   | -       | ----- EN,ET,ETX,HH,HXQ,LDB1,LDB3,LD4,LE,LEH4,LJT,LTA,LW2,LX26,PH,PM,PM2,QAA2,QA26,QBU2,QE,QEH,QH2,QJW1,QMH,QPU,QSJ,QTC2,QWA4,QXC,QXG,QXG2,QXQ,QXS,RH,SAD2,SDB1,SDB3,SJC,SKJ,SKR,SN,SW2,S1,TH,UH,UX,U1,VA,VAX4,VH,VMT,VS,VS1,V1,WDJ,WJ1,WM1,W1  |                      |
|          |                 |                                | 1         | (1) | -   | -       | 4142273 AR,DKR,DS,HHQ4,HTF2,HT2,HX,HXU,HX2,HX26,HX4,H1,KR,KRA4,KRF4,KRS4,KRT,KRT4,KRT6,LAJ4,LD,LH,LHQ4,LJ,LJC,LJS,LSJ,LSJ4,LTJ,LTK1,LTR,LX,LXU,LX2,LX4,L1,PX,QA,QA2,QD,QH,QHQ4,QH26,QLL,QM,QMA4,QMA8,QME4,QMX2,QX,QXC9,QXS2,QXU,QX2,QX26,QX4,QX7,Q1,RD,RD4,RHC,RHQ4,RX,RX4,R1,SAJ,SAJ4,SCJ,SD,SD16,SD4,SE,SH,SHQ4,SJ,SJC1,SJC5,SMA7,SMJ,SMW2,STP,STS,SX,SXS4,SX4,SX7,TX,TX2,TX26,TX4,UXU,VED,VED1,VET,VEX,VEX7,VMS4,VPR4,VSX,VSX1,VX,VXU,VX4,VX7,WDA6,WD12,WJ,WJP,WKD6,WKT2,WKT4,WKT6,WMA3,WME2,WME4 |                      |
|          |                 |                                | 1         | -   | -   | -       | 3463997 QT   |                      |
|          |                 |                                | -         | -   | 1   | 1       |  |                      |

| Ref. No. | Part No.        | Description                                   | Reqd. QTY |     |     |     | Serial No. | Parts catalogue code  |   |
|----------|-----------------|---|-----------|-----|-----|-----|------------|---|---|
|          |                 |   | (1)       | (2) | (3) | (4) |            |   |   |
| (2)      | 28410-ZH8-003ZB | CASE COMP., RECOIL STARTER<br>*NH1*.....BLACK | 1         | -   | -   | -   | -----      | AR, HXQ, HX2, KR, LX2, PX2, QA2, QH2, QMX2, QWA4, QXC9, QXG2, QXQ, QXS2, QX2 SG24, SM11, SM12, SM14, SSK1, SSK2, SSK3, SSS2, SSS4, TX2, TX4, VED1, VED6 VEE1, VSX |   |
|          | 28410-ZH8-003ZG | *NH105*...MAT BLACK (#15-#20)                 | 1         | -   | -   | -   | 2242263    | -----   | QX, TX  |
|          | 28410-ZH8-003ZJ | *T51*.....JACOBSEN ORANGE                     | 1         | -   | -   | -   | -----      | -----   | LJD2, QJG2, SJD2, SWX2, SWX4  |
|          | 28410-ZH8-003ZK | *NH31*.....MCKINLEY WHITE                     | 1         | -   | -   | -   | 2243557    | -----   | QJG2, QXG2  |
|          | 28410-ZH8-003ZM | *NH246*.....LOOSEY GRAY                       | 1         | -   | -   | -   | -----      | -----   | QXG   |
|          | 28410-ZH8-003ZQ | *Y131*.....LIGHTNING YELLOW                   | 1         | -   | -   | -   | -----      | -----   | VEK   |
|          | 28410-ZH8-003ZS | *T76*.....IRIS GREEN                          | 1         | -   | -   | -   | -----      | -----   | VPR4  |
|          | 28410-ZH8-003ZT | *T77*.....SEC WINE RED                        | 1         | -   | -   | -   | -----      | -----   | VSX1  |
|          | 28410-ZH8-003ZV | *T79*.....BOMBARDIER YELLOW                   | 1         | -   | -   | -   | -----      | -----   | WJP1  |
|          | 28410-ZH8-003ZW | *T80*.....BAKELITE ORANGE                     | 1         | -   | -   | -   | -----      | -----   | VSX, VSX1   |
|          | 28410-ZH8-003YA | *R280*.....POWER RED                          | 1         | (1) | -   | -   | 3892283    | -----   | QB26  |
|          |                 |   |           |     |     |     | 4142274    | -----   | VSX, VSX1   |
|          |                 |   |           |     |     |     |            | -----   | AR, DKR, DS, HHQ4, HTF2, HT2, HX, HXU, HX2, HX26, HX4, H1, KR, KRA4, KRF4 KRS4, KRT, KRT4, KRT6, LAJ4, LD, LH, LHQ4, LJ, LJC, LJS, LSJ, LSJ4, LTJ LTK1, LTR, LX, LXU, LX2, LX4, L1, PX, QA, QA2, QD, QH, QHQ4, QH26, QLL, QM QMA4, QMA8, QME4, QMX2, QX, QXC9, QXS2, QXU, QX2, QX26, QX4, QX7, Q1, RD RD4, RHC, RHQ4, RX, RX4, R1, SAJ, SAJ4, SCJ, SD, SD16, SD4, SE, SH, SHQ4, SJ SJC1, SJC5, SMA7, SMJ, SMW2, STP, STS, SX, SXS4, SX4, SX7, TX, TX2, TX26 TX4, UXU, VED, VED1, VET, VEX, VEX7, VMS4, VPR4, VSX, VSX1, VX, VXU, VX4 VX7, WDA6, WD12, WJ, WJP, WKD6, WKT2, WKT4, WKT6, WMA3, WME2, WME4 LTS   |
| 3        | 28420-ZH8-003   | REEL, RECOIL STARTER (BLACK)                  | 1         | -   | -   | -   | 2169649    | -----   | DS, EN, ET, ETX, HH, HX, LD, LE, LH, LJ, LW2, LX, PH, PM, PM2, PX, QA, QD, QE, QH QM, QSJ, QT, QX, QXC, QXG, QXS, RD, RH, RX, SD, SE, SH, SJ, SMJ, SN, STS, SW2 SX, TH, TX, UH, UX, VA, VED, VED1, VET, VH, VS, VSX, VX, WJ   |
|          | 28420-ZH8-013   | REEL, RECOIL STARTER (NATURAL)                | 1         | (1) | -   | -   | 2169649    | -----   | AR, DKR, HHQ4, HTF2, HT2, HXQ, HXU, HX2, HX26, HX4, KR, KRA4, KRF4, KRS4 KRT, KRT4, KRT6, LAJ4, LDB1, LDB3, LD4, LEH4, LHQ4, LJC, LJD2, LJS, LJT LSJ, LSJ4, LTA, LTJ, LTK1, LTR, LTS, LXU, LX2, LX26, LX4, PX2, QAA2, QA2 QA26, QBU2, QB26, QEH, QHQ4, QH2, QH26, QJG2, QJW1, QLL, QMA4, QMA8, QME4 QMH, QMX2, QPU, QTC2, QWA4, QXC9, QXG2, QXQ, QXS2, QXU, QX2, QX26, QX4, QX7 RD4, RHC, RHQ4, RX4, SAD2, SAJ, SAJ4, SCJ, SDB1, SDB3, SD16, SD4, SG24 SHQ4, SJC, SJC1, SJC5, SJD2, SKJ, SKR, SMA7, SMW2, SM11, SM12, SM14, SSK1 SSK2, SSK3, SSS2, SSS4, STP, SWX2, SWX4, SXS4, SX4, SX7, TX2, TX26, TX4 UXU, VAX4, VED6, VEE1, VEK, VEX, VEX7, VMS4, VMT, VPR4, VSX1, VS1, VXU, VX4 VX7, WDA6, WDJ, WD12, WJP, WJP1, WJ1, WKD6, WKT2, WKT4, WKT6, WMA3, WME2 WME4, WM1 |
|          |                 |   | 1         | -   | -   | -   | 2169650    | -----   | DS, EN, ET, ETX, HH, HX, LD, LE, LH, LJ, LW2, LX, PH, PM, PM2, PX, QA, QD, QE, QH QM, QSJ, QX, QXC, QXG, QXS, RD, RH, RX, SD, SE, SH, SJ, SMJ, SN, STS, SW2, SX TH, TX, UH, UX, VA, VED, VED1, VET, VH, VS, VSX, VX, WJ   |
|          |                 |   | 1         | -   | -   | -   | 2169650    | -----   | 3463997   |
|          |                 |   | -         | (1) | -   | -   | 2169650    | -----   | QT  |
| 4        | 28422-ZH8-003   | RATCHET, STARTER .....                        | 2         | -   | -   | -   | 2169649    | -----   | DS, EN, ET, ETX, HH, HX, LD, LE, LH, LJ, LW2, LX, PH, PM, PM2, PX, QA, QD, QE, QH QM, QSJ, QT, QX, QXC, QXG, QXS, RD, RH, RX, SD, SE, SH, SJ, SMJ, SN, STS, SW2 SX, TH, TX, UH, UX, VA, VED, VED1, VET, VH, VS, VSX, VX, WJ   |
|          |                 |   | -         | (2) | -   | -   | 2169649    | -----   |   |

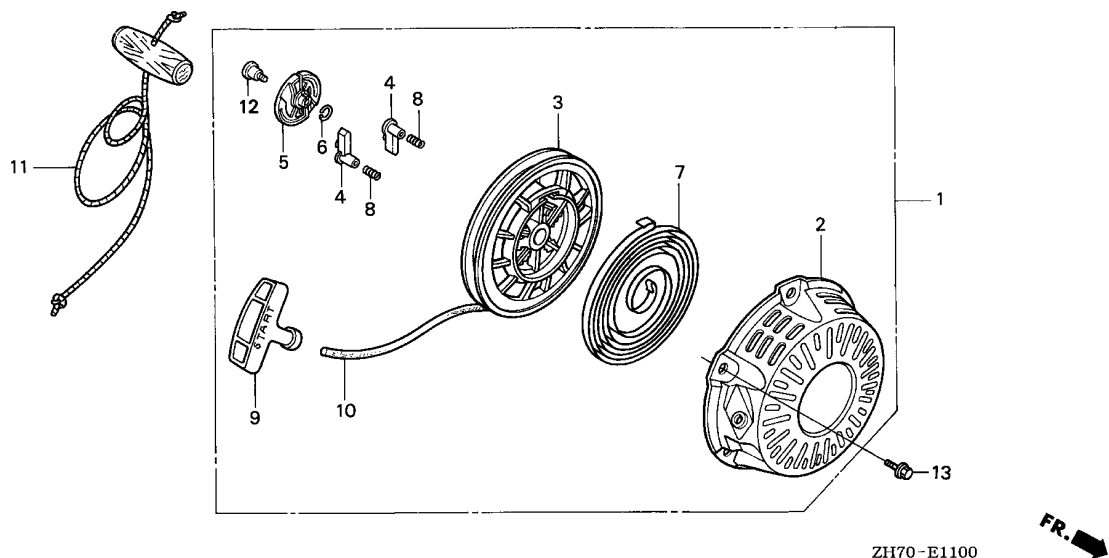




| Ref. No. | Part No.      | Description            | Reqd. QTY |     |     |     | Serial No.      | Parts catalogue code   |
|----------|---------------|------------------------|-----------|-----|-----|-----|-----------------|--|
|          |               |                        | (1)       | (2) | (3) | (4) |                 |  |
| (4)      | 28422-ZH8-013 | RATCHET, STARTER ..... | 2         | -   | -   | -   | -----           | AR,DKR,HHQ4,HTF2,HT2,HXQ,HXU,HX2,HX26,HX4,KR,KRA4,KRF4,KRS4<br>KRT,KRT4,KRT6,LAJ4,LDB1,LDB3,LD4,LEH4,LHQ4,LJC,LJD2,LJS,LJT<br>LSJ,LSJ4,LTA,LTJ,LTK1,LTR,LTS,LXU,LX2,LX26,LX4,PX2,QAA2,QA2<br>QA26,QBU2,QB26,QEH,QHQ4,QH2,QH26,QJG2,QJW1,QLL,QMA4,QMA8,QME4<br>QMH,QMX2,QPU,QTC2,QWA4,QXC9,QXG2,QXQ,QXS2,QXU,QX2,QX26,QX4,QX7<br>RD4,RHC,RHQ4,RX4,SAD2,SAJ,SAJ4,SCJ,SDB1,SDB3,SD16,SD4,SG24<br>SHQ4,SJC,SJC1,SJC5,SJD2,SKJ,SKR,SMA7,SMW2,SM11,SM12,SM14,SSK1<br>SSK2,SSK3,SSX2,SSX4,STP,SWX2,SWX4,SXS4,SX4,SX7,TX2,TX26,TX4<br>UXU,VAX4,VED6,VEE1,VEK,VEX,VEX7,VMS4,VMT,VPR4,VSX1,VS1,VXU,VX4<br>VX7,WDA6,WDJ,WD12,WJP,WJP1,WJ1,WKD6,WKT2,WKT4,WKT6,WMA3,WME2<br>WME4,WM1 |
|          |               |                        | 2         | -   | -   | -   | 2169650 -----   | DS,EN,ET,ETX,HH,HX,LD,LE,LH,LJ,LW2,LX,PH,PM,PM2,PX,QA,QD,QE,QH<br>QM,QSJ,QX,QXC,QXG,QXS,RD,RH,RX,SD,SE,SH,SJ,SMJ,SN,STS,SW2,SX<br>TH,TX,UH,UX,VA,VED,VED1,VET,VH,VS,VSX,VX,WJ  |
|          |               |                        | 2         | -   | -   | -   | 2169650 3463997 | QT   |
|          |               |                        | -         | (2) | -   | -   | 2169650         |  |
|          |               |                        | -         | -   | 2   | 2   |                 |  |

| Ref. No. | Part No.      | Description                  | Reqd. QTY |                |     |     | Serial No. | Parts catalogue code   |
|----------|---------------|------------------------------|-----------|----------------|-----|-----|------------|--|
|          |               |                              | (1)       | GX120K1<br>(2) | (3) | (4) |            |  |
| 5        | 28433-ZH8-003 | GUIDE, RATCHET .....         | 1         | -              | -   | -   | -----      | AR,DKR,DS,EN,ET,ETX,HH,HHQ4,HTF2,HT2,HX,HXQ,HXU,HX2,HX26,HX4<br>KR,KRA4,KRF4,KRS4,KRT,KRT4,KRT6,LAJ4,LD,LDB1,LDB3,LD4,LE,LEH4<br>LH,LHQ4,LJ,LJC,LJD2,LJS,LJT,LSJ,LSJ4,LTA,LTJ,LTk1,LTR,LTS,LW2<br>LX,LXU,LX2,LX26,LX4,PH,PM,PM2,PX,PX2,QA,QAA2,QA2,QA26,QBU2<br>QB26,QD,QE,QEH,QH,QHQ4,QH2,QH26,QJG2,QJW1,QLL,QM,QMA4,QMA8<br>QME4,QMH,QMX2,QPU,QSJ,QTC2,QWA4,QX,QXC,QXC9,QXG,QXG2,QXQ,QXS<br>QXS2,QXU,QX2,QX26,QX4,QX7,RD,RD4,RH,RHC,RHQ4,RX,RX4,SAD2,SAJ<br>SAJ4,SCJ,SD,SDB1,SDB3,SD16,SD4,SE,SG24,SH,SHQ4,SJ,SJC,SJC1<br>SJC5,SJD2,SKJ,SKR,SMA7,SMJ,SMW2,SM11,SM12,SM14,SN,SSK1,SSK2<br>SSK3,SSX2,SSX4,STP,STS,SWX2,SWX4,SW2,SX,SXS4,SX4,SX7,TH,TX,TX2<br>TX26,TX4,UH,UX,UXU,VA,VAX4,VED,VED1,VED6,VEE1,VEK,VET,VEX,VEX7<br>VH,VMS4,VMT,VPR4,VS,VSX,VSX1,VS1,VX,VXU,VX4,VX7,WDA6,WDJ,WD12<br>WJ,WJP,WJP1,WJ1,WKD6,WKT2,WKT4,WKT6,WMA3,WME2,WME4,WM1 |
|          |               |                              | 1         | -              | -   | -   | -----      | 3463997 QT   |
|          |               |                              | -         | (1)            | 1   | 1   |            |  |
| 6        | 28441-ZH8-003 | SPRING, FRICTION .....       | 1         | -              | -   | -   | -----      | AR,DKR,DS,EN,ET,ETX,HH,HHQ4,HTF2,HT2,HX,HXQ,HXU,HX2,HX26,HX4<br>KR,KRA4,KRF4,KRS4,KRT,KRT4,KRT6,LAJ4,LD,LDB1,LDB3,LD4,LE,LEH4<br>LH,LHQ4,LJ,LJC,LJD2,LJS,LJT,LSJ,LSJ4,LTA,LTJ,LTk1,LTR,LTS,LW2<br>LX,LXU,LX2,LX26,LX4,PH,PM,PM2,PX,PX2,QA,QAA2,QA2,QA26,QBU2<br>QB26,QD,QE,QEH,QH,QHQ4,QH2,QH26,QJG2,QJW1,QLL,QM,QMA4,QMA8<br>QME4,QMH,QMX2,QPU,QSJ,QTC2,QWA4,QX,QXC,QXC9,QXG,QXG2,QXQ,QXS<br>QXS2,QXU,QX2,QX26,QX4,QX7,RD,RD4,RH,RHC,RHQ4,RX,RX4,SAD2,SAJ<br>SAJ4,SCJ,SD,SDB1,SDB3,SD16,SD4,SE,SG24,SH,SHQ4,SJ,SJC,SJC1<br>SJC5,SJD2,SKJ,SKR,SMA7,SMJ,SMW2,SM11,SM12,SM14,SN,SSK1,SSK2<br>SSK3,SSX2,SSX4,STP,STS,SWX2,SWX4,SW2,SX,SXS4,SX4,SX7,TH,TX,TX2<br>TX26,TX4,UH,UX,UXU,VA,VAX4,VED,VED1,VED6,VEE1,VEK,VET,VEX,VEX7<br>VH,VMS4,VMT,VPR4,VS,VSX,VSX1,VS1,VX,VXU,VX4,VX7,WDA6,WDJ,WD12<br>WJ,WJP,WJP1,WJ1,WKD6,WKT2,WKT4,WKT6,WMA3,WME2,WME4,WM1 |
|          |               |                              | 1         | -              | -   | -   | -----      | 3463997 QT   |
|          |               |                              | -         | (1)            | 1   | 1   |            |  |
| 7        | 28442-ZH8-003 | SPRING, RECOIL STARTER ..... | 1         | -              | -   | -   | -----      | AR,DKR,DS,EN,ET,ETX,HH,HHQ4,HTF2,HT2,HX,HXQ,HXU,HX2,HX26,HX4<br>KR,KRA4,KRF4,KRS4,KRT,KRT4,KRT6,LAJ4,LD,LDB1,LDB3,LD4,LE,LEH4<br>LH,LHQ4,LJ,LJC,LJD2,LJS,LJT,LSJ,LSJ4,LTA,LTJ,LTk1,LTR,LTS,LW2<br>LX,LXU,LX2,LX26,LX4,PH,PM,PM2,PX,PX2,QA,QAA2,QA2,QA26,QBU2<br>QB26,QD,QE,QEH,QH,QHQ4,QH2,QH26,QJG2,QJW1,QLL,QM,QMA4,QMA8<br>QME4,QMH,QMX2,QPU,QSJ,QTC2,QWA4,QX,QXC,QXC9,QXG,QXG2,QXQ,QXS<br>QXS2,QXU,QX2,QX26,QX4,QX7,RD,RD4,RH,RHC,RHQ4,RX,RX4,SAD2,SAJ<br>SAJ4,SCJ,SD,SDB1,SDB3,SD16,SD4,SE,SG24,SH,SHQ4,SJ,SJC,SJC1<br>SJC5,SJD2,SKJ,SKR,SMA7,SMJ,SMW2,SM11,SM12,SM14,SN,SSK1,SSK2<br>SSK3,SSX2,SSX4,STP,STS,SWX2,SWX4,SW2,SX,SXS4,SX4,SX7,TH,TX,TX2<br>TX26,TX4,UH,UX,UXU,VA,VAX4,VED,VED1,VED6,VEE1,VEK,VET,VEX,VEX7<br>VH,VMS4,VMT,VPR4,VS,VSX,VSX1,VS1,VX,VXU,VX4,VX7,WDA6,WDJ,WD12<br>WJ,WJP,WJP1,WJ1,WKD6,WKT2,WKT4,WKT6,WMA3,WME2,WME4,WM1 |
|          |               |                              | 1         | -              | -   | -   | -----      | 3463997 QT   |
|          |               |                              | -         | (1)            | 1   | 1   |            |  |



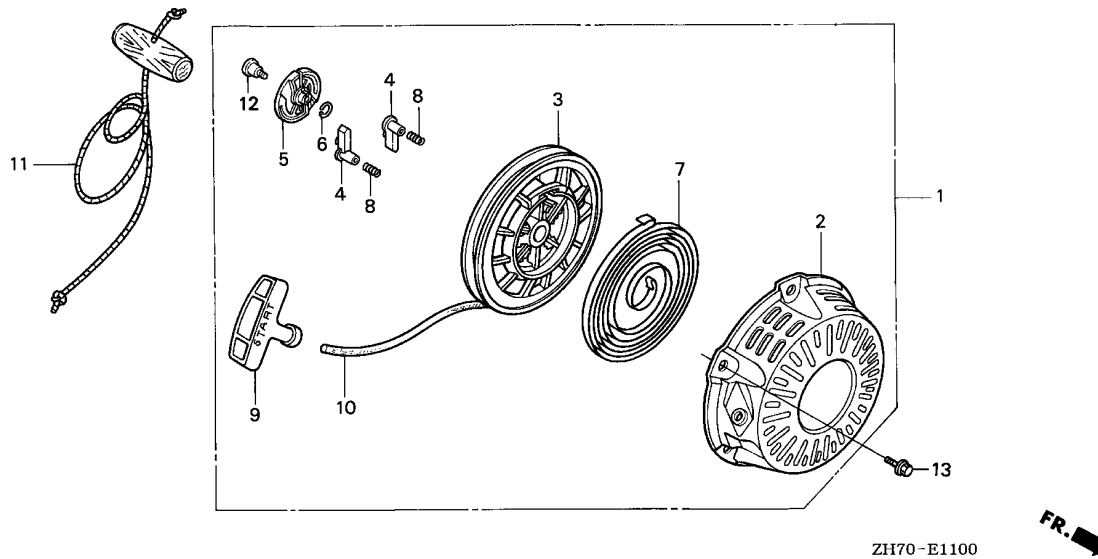


ZH70-E1100

| Ref. No. | Part No.      | Description          | Reqd. QTY |     |     |     | Serial No.   | Parts catalogue code |    |
|----------|---------------|----------------------|-----------|-----|-----|-----|--|----------------------|----|
|          |               |                      | (1)       | (2) | (3) | (4) |  |                      |    |
| 8        | 28443-ZH8-003 | SPRING, RETURN ..... | 2         | -   | -   | -   | AR,DKR,DS,EN,ET,ETX,HH,HHQ4,HTF2,HT2,HX,HXQ,HXU,HX2,HX26,HX4<br>KR,KRA4,KRF4,KRS4,KRT,KRT4,KRT6,LAJ4,LD,LDB1,LDB3,LD4,LE,LEH4<br>LH,LHQ4,LJ,LJC,LJD2,LJS,LJT,LSJ,LSJ4,LTA,LTJ,LTK1,LTR,LTS,LW2<br>LX,LXU,LX2,LX26,LX4,PH,PM,PM2,PX,PX2,QA,QAA2,QA2,QA26,QBU2<br>QB26,QD,QE,QEH,QH,QHQ4,QH2,QH26,QJG2,QJW1,QLL,QM,QMA4,QMA8<br>QME4,QMH,QMX2,QPU,QSJ,QTC2,QWA4,QX,QXC,QXC9,QXG,QXG2,QXQ,QXS<br>QXS2,QXU,QX2,QX26,QX4,QX7,RD,RD4,RH,RHC,RHQ4,RX,RX4,SAD2,SAJ<br>SAJ4,SCJ,SD,SDB1,SDB3,SD16,SD4,SE,SG24,SH,SHQ4,SJ,SJC,SJC1<br>SJC5,SJD2,SKJ,SKR,SMA7,SMJ,SMW2,SM11,SM12,SM14,SN,SSK1,SSK2<br>SSK3,SSX2,SSX4,STP,STS,SWX2,SWX4,SW2,SX,SXS4,SX4, SX7, TH, TX, TX2<br>TX26, TX4, UH, UX, UXU, VA, VAX4, VED, VED1, VED6, VEE1, VEK, VET, VEX, VEX7<br>VH,VMS4,VMT,VPR4,VS,VSX,VSX1,VS1,VX,VXU,VX4,VX7,WDA6,WDJ,WD12<br>WJ,WJP,WJP1,WJ1,WKD6,WKT2,WKT4,WKT6,WMA3,WME2,WME4,WM1 | 3463997              | QT |
|          |               |                      | 2         | -   | -   | -   |  |                      |    |
|          |               |                      | -         | (2) | 2   | 2   |  |                      |    |

| Ref. No. | Part No.       | Description                | Reqd. QTY |                |     |     | Serial No. | Parts catalogue code   |
|----------|----------------|----------------------------|-----------|----------------|-----|-----|------------|--|
|          |                |                            | (1)       | GX120K1<br>(2) | (3) | (4) |            |  |
| 9        | 28461-ZH8-003  | GRIP, STARTER .....        | 1         | -              | -   | -   | -----      | AR,DKR,DS,EN,ET,ETX,HH,HHQ4,HTF2,HT2,HX,HXQ,HXU,HX2,HX26,HX4,KR,KRA4,KRF4,KRS4,KRT,KRT4,KRT6,LAJ4,LD,LDB1,LDB3,LD4,LE,LEH4,LH,LHQ4,LJ,LJC,LJD2,LJS,LJT,LSJ,LSJ4,LTA,LTJ,LTK1,LTR,LTS,LW2,LX,LXU,LX2,LX26,LX4,PH,PM,PM2,PX,PX2,QA,QAA2,QA2,QA26,QBU2,QB26,QD,QE,QEH,QH,QHQ4,QH2,QH26,QJG2,QJW1,QLL,QM,QMA4,QMA8,QME4,QMH,QMX2,QPU,QSJ,QTC2,QWA4,QX,QXC,QXC9,QXG,QXG2,QXQ,QXS,QXS2,QXU,QX2,QX26,QX4,QX7,RD,RD4,RH,RHC,RHQ4,RX,RX4,SAD2,SAJ,SAJ4,SCJ,SD,SDB1,SDB3,SD16,SD4,SE,SG24,SH,SHQ4,SJ,SJC,SJC1,SJC5,SJD2,SKJ,SKR,SMA7,SMJ,SMW2,SM11,SM12,SM14,SN,SSK1,SSK2,SSK3,SSX2,SSX4,STP,STS,SWX2,SWX4,SW2,SX,SXS4,SX4,SX7,TH,TX,TX2,TX26,TX4,UH,UX,UXU,VA,VAX4,VED,VED1,VED6,VEE1,VEK,VET,VEX,VEX7,VH,VMS4,VMT,VPR4,VS,VSX,VSX1,VS1,VX,VXU,VX4,VX7,WDA6,WDJ,WD12,WJ,WJP,WJP1,WJ1,WKD6,WKT2,WKT4,WKT6,WMA3,WME2,WME4,WM1 |
|          |                |                            | 1         | -              | -   | -   | -----      | 3463997 QT   |
|          |                |                            | -         | (1)            | 1   | 1   |            |  |
| 10       | 28462-ZH8-003  | ROPE, RECOIL STARTER ..... | 1         | -              | -   | -   | -----      | AR,DKR,DS,EN,ET,ETX,HH,HHQ4,HTF2,HT2,HX,HXQ,HXU,HX2,HX26,HX4,KR,KRA4,KRF4,KRS4,KRT,KRT4,KRT6,LD,LDB1,LDB3,LD4,LE,LEH4,LH,LHQ4,LJ,LJC,LJD2,LJS,LJT,LSJ,LSJ4,LTA,LTJ,LTK1,LTR,LTS,LW2,LX,LXU,LX2,LX26,LX4,PH,PM,PM2,PX,PX2,QA,QAA2,QA2,QA26,QBU2,QB26,QD,QE,QEH,QH,QHQ4,QH2,QH26,QJG2,QJW1,QLL,QM,QMA4,QMA8,QME4,QMH,QMX2,QPU,QSJ,QTC2,QWA4,QX,QXC,QXC9,QXG,QXG2,QXQ,QXS,QXS2,QXU,QX2,QX26,QX4,QX7,RD,RD4,RH,RHC,RHQ4,RX,RX4,SAD2,SAJ,SAJ4,SCJ,SD,SDB1,SDB3,SD16,SD4,SE,SG24,SH,SHQ4,SJ,SJC,SJC1,SJC5,SJD2,SKJ,SKR,SMA7,SMJ,SMW2,SM11,SM12,SM14,SN,SSK1,SSK2,SSK3,SSX2,SSX4,STP,STS,SWX2,SWX4,SW2,SX,SXS4,SX4,SX7,TH,TX,TX2,TX26,TX4,UH,UX,UXU,VA,VAX4,VED,VED1,VED6,VEE1,VEK,VET,VEX,VEX7,VH,VMS4,VMT,VPR4,VS,VSX,VSX1,VS1,VX,VXU,VX4,VX7,WDA6,WDJ,WD12,WJ,WJP,WJP1,WJ1,WKD6,WKT2,WKT4,WKT6,WMA3,WME2,WME4,WM1      |
|          |                |                            | 1         | -              | -   | -   | -----      | 3463997 QT   |
|          | 28462-ZH8-R10  | .....                      | 1         | -              | -   | -   | -----      | LAJ4   |
| 11       | 28470-816-000  | ROPE, STARTER .....        | 1         | -              | -   | -   | -----      | DS,HX,LD,LJ,LX,PH,PX,QD,QSJ,QX,RD,RX,SD,SJ,SMJ,STS,SX,TH,UH,UX,VET,VH,VX,WJ  |
|          |                |                            | -         | (1)            | -   | -   |            |  |
| 12       | 90003-ZH8-003  | SCREW, SETTING .....       | 1         | -              | -   | -   | -----      | AR,DKR,DS,EN,ET,ETX,HH,HHQ4,HTF2,HT2,HX,HXQ,HXU,HX2,HX26,HX4,KR,KRA4,KRF4,KRS4,KRT,KRT4,KRT6,LAJ4,LD,LDB1,LDB3,LD4,LE,LEH4,LH,LHQ4,LJ,LJC,LJD2,LJS,LJT,LSJ,LSJ4,LTA,LTJ,LTK1,LTR,LTS,LW2,LX,LXU,LX2,LX26,LX4,PH,PM,PM2,PX,PX2,QA,QAA2,QA2,QA26,QBU2,QB26,QD,QE,QEH,QH,QHQ4,QH2,QH26,QJG2,QJW1,QLL,QM,QMA4,QMA8,QME4,QMH,QMX2,QPU,QSJ,QTC2,QWA4,QX,QXC,QXC9,QXG,QXG2,QXQ,QXS,QXS2,QXU,QX2,QX26,QX4,QX7,RD,RD4,RH,RHC,RHQ4,RX,RX4,SAD2,SAJ,SAJ4,SCJ,SD,SDB1,SDB3,SD16,SD4,SE,SG24,SH,SHQ4,SJ,SJC,SJC1,SJC5,SJD2,SKJ,SKR,SMA7,SMJ,SMW2,SM11,SM12,SM14,SN,SSK1,SSK2,SSK3,SSX2,SSX4,STP,STS,SWX2,SWX4,SW2,SX,SXS4,SX4,SX7,TH,TX,TX2,TX26,TX4,UH,UX,UXU,VA,VAX4,VED,VED1,VED6,VEE1,VEK,VET,VEX,VEX7,VH,VMS4,VMT,VPR4,VS,VSX,VSX1,VS1,VX,VXU,VX4,VX7,WDA6,WDJ,WD12,WJ,WJP,WJP1,WJ1,WKD6,WKT2,WKT4,WKT6,WMA3,WME2,WME4,WM1 |
|          |                |                            | 1         | -              | -   | -   | -----      | 3463997 QT   |
|          |                |                            | -         | (1)            | 1   | 1   |            |  |
| 13       | 95701-06008-00 | BOLT, FLANGE, 6X8 .....    | 3         | (3)            | -   | -   | -----      | EN,ET,ETX,HH,HXQ,LDB1,LDB3,LD4,LE,LJT,LTA,LW2,L1,PM2,QA2,QA26,QBU2,QE,QH2,QJW1,QMH,QPU,QSJ,QXC,QXG,QXQ,QXS,RH,SAD2,SCJ,SDB1,SSK1,SSK2,SW2,U1,VA,VAX4,VH,VS,VSX,VSX1,V1,WDJ,WJ1,W1  |
|          |                |                            | 3         | -              | -   | -   | -----      | 3463997 QT   |





ZH70-E1100



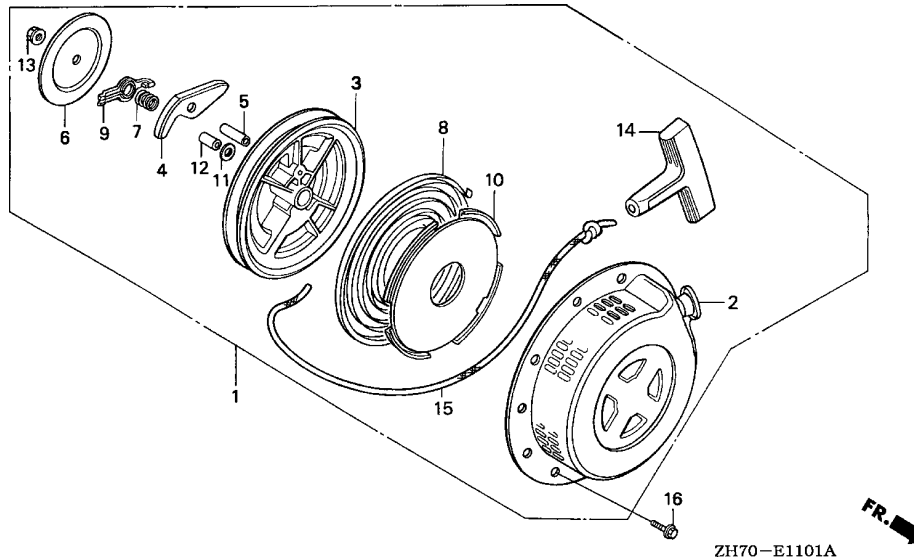
| Ref. No. | Part No.      | Description        | Reqd. QTY |     |     |     | Serial No.   | Parts catalogue code |   |   |   |
|----------|---------------|--------------------|-----------|-----|-----|-----|--|----------------------|---|---|---|
|          |               |                    | (1)       | (2) | (3) | (4) |  |                      |   |   |   |
| 13)      | 90008-ZE2-003 | BOLT, FLANGE, 6X10 | 3         | (3) | -   | -   | AR,DKR,DS,HHQ4,HTF2,HT2,HX,HXU,HX2,HX26,HX4,H1,KR,KRA4,KRF4,KRS4,KRT,KRT4,KRT6,LAJ4,LD,LEH4,LH,LHQ4,LJ,LJC,LJD2,LJS,LSJ,LSJ4,LTJ,LTK1,LTR,LTS,LX,LXU,LX2,LX26,LX4,PH,PM,PX,PX2,QA,QA2,QB26,QD,QEH,QH,QHQ4,QH26,QJG2,QLL,QM,QMA4,QMA8,QME4,QMX2,QTC2,QWA4,QX,QXC9,QXG2,QXS2,QXU,QX2,QX26,QX4,QX7,Q1,RD,RD4,RHC,RHQ4,RX,RX4,R1,SAJ,SAJ4,SD,SDB3,SD16,SD4,SE,SG24,SH,SHQ4,SJ,SJC,SJC1,SJC5,SJD2,SKJ,SKR,SMA7,SMJ,SMW2,SM11,SM12,SM14,SN,SSK3,SSX2,SSX4,STP,STS,SWX2,SWX4,SX,SXS4,SX4,SX7,S1,TH,TX,TX2,TX26,TX4,UH,UX,UXU,VED,VED1,VED6,VEE1,VEK,VET,VEX,VEX7,VMS4,VMT,VPR4,VX,VXU,VX4,VX7,WDA6,WD12,WJ,WJP,WJP1,WKD6,WKT2,WKT4,WKT6,WMA3,WME2,WME4,WM1,W1 | -                    | - | 3 | 3 |

2

E-11-1

RECOIL STARTER(2)

G15

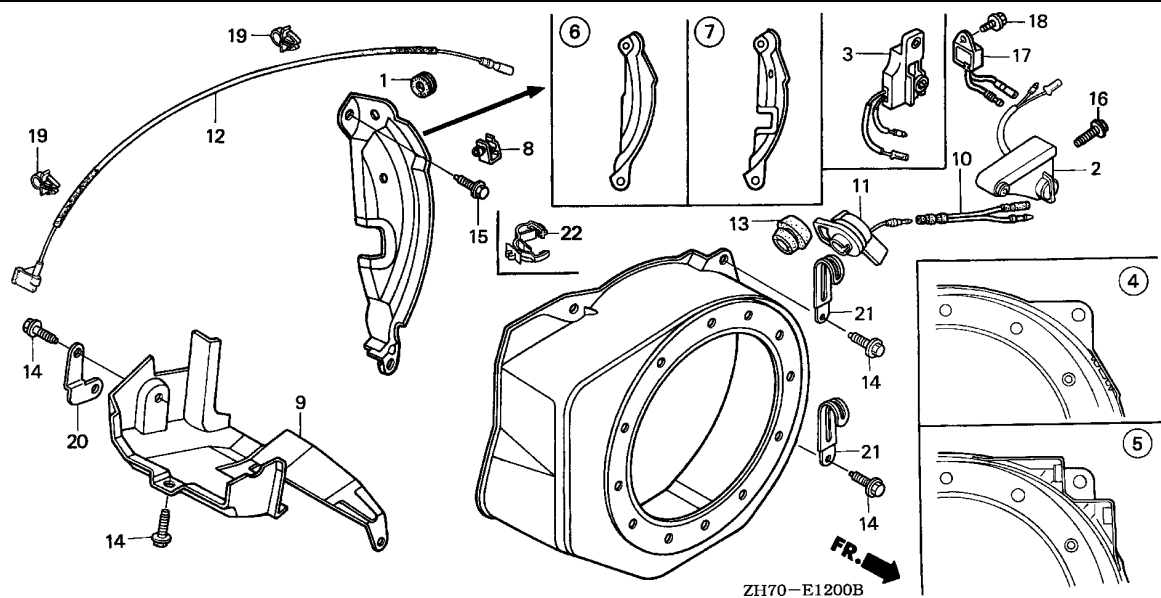


| Ref. No. | L.O.N. | (Relative ref. Number)<br>Description            | F.R.T. |
|----------|--------|--|--------|
| 1        | 1121B9 | STARTER, RECOIL .....                            | 0.1    |
| 3        | 1121C9 | REEL, RECOIL STARTER(A) .....                    | 0.4    |
| 4        | 1121B0 | RATCHET, STARTER AND/OR<br>SPRING, RATCHET ..... | 0.2    |
| 8        | 1121D1 | SPRING, RECOIL STARTER RETURN<br>(A) .....       | 0.4    |
| 15       | 1121D0 | ROPE, RECOIL STARTER(A) .....                    | 0.4    |

| Ref. No. | Part No.        | Description                                       | Reqd. QTY |     |     |     | Serial No. | Parts catalogue code |
|----------|-----------------|---|-----------|-----|-----|-----|------------|----------------------|
|          |                 |   | (1)       | (2) | (3) | (4) |            |                      |
| 1        | 28400-ZE1-003ZA | STARTER ASSY., RECOIL<br>*R8*.....BRIGHT RED      | 1         | -   | -   | -   | 3463998    | ----- QT             |
| 2        | 28410-ZE1-003ZA | CASE COMP., RECOIL STARTER<br>*R8*.....BRIGHT RED | 1         | -   | -   | -   | 3463998    | ----- QT             |
| 3        | 28420-ZE1-003   | PULLEY, RECOIL STARTER .....                      | 1         | -   | -   | -   | 3463998    | ----- QT             |
| 4        | 28422-ZE1-003   | RATCHET, STARTER .....                            | 1         | -   | -   | -   | 3463998    | ----- QT             |
| 5        | 28423-ZE1-003   | PIN, STARTER RATCHET .....                        | 1         | -   | -   | -   | 3463998    | ----- QT             |
| 6        | 28431-ZE1-003   | PLATE, FRICTION .....                             | 1         | -   | -   | -   | 3463998    | ----- QT             |
| 7        | 28441-ZE1-003   | SPRING, FRICTION .....                            | 1         | -   | -   | -   | 3463998    | ----- QT             |
| 8        | 28442-ZE1-003   | SPRING, RECOIL STARTER .....                      | 1         | -   | -   | -   | 3463998    | ----- QT             |
| 9        | 28443-ZE1-003   | GUIDE, RATCHET .....                              | 1         | -   | -   | -   | 3463998    | ----- QT             |
| 10       | 28445-ZE1-003   | CASE, RECOIL STARTER SPRING ..                    | 1         | -   | -   | -   | 3463998    | ----- QT             |
| 11       | 28446-ZE1-003   | WASHER, STARTER .....                             | 1         | -   | -   | -   | 3463998    | ----- QT             |
| 12       | 28447-ZE1-003   | SHAFT, SUB .....                                  | 1         | -   | -   | -   | 3463998    | ----- QT             |
| 13       | 28448-ZE1-003   | NUT .....   | 1         | -   | -   | -   | 3463998    | ----- QT             |
| 14       | 28461-ZE1-003   | KNOB, RECOIL STARTER .....                        | 1         | -   | -   | -   | 3463998    | ----- QT             |
| 15       | 28462-ZE1-003   | ROPE, RECOIL STARTER .....                        | 1         | -   | -   | -   | 3463998    | ----- QT             |
| 16       | 90008-ZE2-003   | BOLT, FLANGE, 6X10 .....                          | 3         | -   | -   | -   | 3463998    | ----- QT             |

2





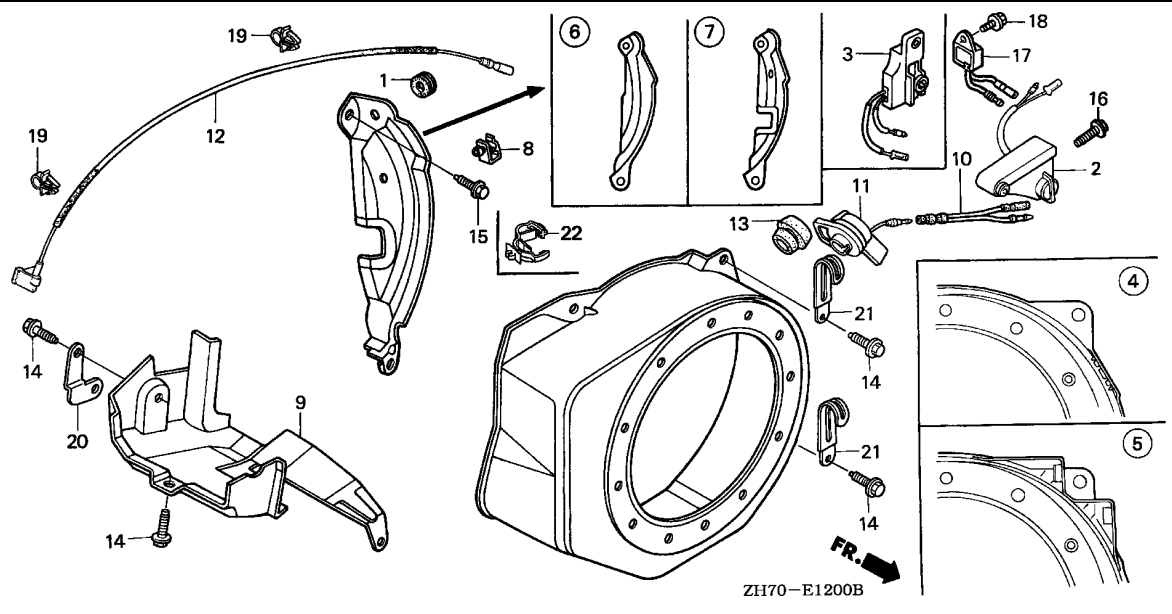
| Ref. No. | L.O.N. | (Relative ref. Number) Description | F.R.T. |
|----------|--------|------------------------------------|--------|
| 2        | 6151C6 | (3) SWITCH, OIL ALERT UNIT .....   | 0.1    |
| 4        | 1141G8 | (5) COVER, ENGINE COOLING FAN .... | 0.2    |
| 6        | 1121A7 | (7) PLATE, SIDE .....              | 0.3    |
| 9        | 4141E0 | SHROUD, ENGINE :LOWER .....        | 0.1    |
| 10       | 6111A3 | CORD, ENGINE STOP SWITCH .....     | 0.1    |
| 11       | 6151D9 | SWITCH, ENGINE STOP .....          | 0.3    |
| 12       | 6111B3 | CORD, STOP SWITCH .....            | 0.3    |
| 17       | 6151A0 | ALERT UNIT, OIL .....              | 0.1    |

ZH70-E1200B

| Ref. No. | Part No.        | Description                   | Reqd. QTY |     |     |     | Serial No.   | Parts catalogue code   |
|----------|-----------------|-------------------------------|-----------|-----|-----|-----|--|--|
|          |                 |                               | (1)       | (2) | (3) | (4) |  |  |
| 1        | 11347-371-300   | GROMMET, ADJUSTING COVER .... | 1         | 1   | 1   | 1   |  |  |
| 2        | 15520-ZE1-003   | ALERT UNIT, OIL .....         | 1         | -   | -   | -   | 2186369 HX,LX,PX,QX,QXC,QXG,QXS,RX,SMJ,SX,TX,UX,VA,VED1,VSX,VX |  |
| 3        | 15520-ZE1-822   | ALERT UNIT, OIL .....         | -         | (1) | -   | -   | 2186369  | 2186369 ETX  |
| 4        | 19610-ZB0-601ZB | COVER COMP., FAN              | 1         | -   | -   | -   | 4162941  | LSJ4,SJC1,SJC5   |
|          | 19610-ZE0-000ZA | *R8*.....BRIGHT RED           | 1         | -   | -   | -   | 4162941  | EN,ET,ETX,HH,HXQ,LDB1,LDB3,LD4,LE,LEH4,LJT,LW2,LX26,PH,PM,PM2  |
|          | 19610-ZE0-000ZA | *R8*.....BRIGHT RED           | 1         | (1) | -   | -   | 4142673  | QAA2,QA26,QBU2,QE,QEH,QH2,QJW1,QMH,QPU,QSJ,QTCC,QWA4,QXG2,QXQ  |
|          |                 |                               | 1         | (1) | -   | -   | 4142673  | RH,SAD2,SDB1,SDB3,SJC,SKJ,SKR,SN,SW2,S1,TH,UH,U1,VAX4,VH,VMT   |
|          |                 |                               | 1         | (1) | -   | -   | 4142673  | VS,VS1,V1,WDJ,WJ1,WM1,W1                                       |
|          |                 |                               | 1         | (1) | -   | -   | 4142673  | DS,HHQ4,HTF2,HT2,HXU,HX2,HX26,HX4,H1,LAJ4,LD,LH,LHQ4,LJ,LJC    |
|          |                 |                               | 1         | (1) | -   | -   | 4142673  | LJS,LSJ,LTJ,LTK1,LTR,LXU,LX2,LX4,L1,QA,QA2,QD,QH,QHQ4,QH26,QLL |
|          |                 |                               | 1         | (1) | -   | -   | 4142673  | QM,QMA4,QMA8,QME4,QMX2,QT,QXC9,QXU,QX2,QX26,QX4,QX7,Q1,RD,RD4  |
|          |                 |                               | 1         | (1) | -   | -   | 4142673  | RHC,RHQ4,RX4,R1,SAJ,SAJ4,SCJ,SD,SD16,SD4,SE,SH,SHQ4,SJ,SMA7    |
|          |                 |                               | 1         | (1) | -   | -   | 4142673  | SMW2,STP,STS,SXS4,SX4,SX7,TX2,TX26,TX4,UXU,VED,VET,VEX,VEX7    |
|          |                 |                               | 1         | (1) | -   | -   | 4142673  | VMS4,VPR4,VSX1,VXU,VX4,VX7,WDA6,WD12,WJ,WJP,WKD6,WKT2,WKT4     |
|          |                 |                               | 1         | (1) | -   | -   | 4142673  | WKT6,WMA3,WME2,WME4  |
|          |                 |                               | 1         | (1) | -   | -   | 4142673  | QXC,QXG,QXS,UX,VA  |
|          |                 |                               | 1         | (1) | -   | -   | 4142273  | QXS2   |
|          |                 |                               | 1         | (1) | -   | -   | 2186370  | 4142673 HX,LX,PX,QX,RX,SMJ,SX,TX,VED1,VSX,VX                   |
|          | 19610-ZE0-000ZE | *NH1*.....BLACK               | 1         | -   | -   | -   | 4142673  | HXQ,HX2,LX2,PX2,QA2,QH2,QMX2,QWA4,QXC9,QXG2,QXQ,QXS2,QX2,SG24  |
|          | 19610-ZE0-000ZF | *NH246*.....LOOSEY GRAY       | 1         | -   | -   | -   | 2242263  | SM11,SM12,SM14,SSK1,SSK2,SSK3,SSX2,SSX4,TX2,TX4,VED1,VED6,VSX  |
|          | 19610-ZE0-000ZG | *T51*.....JACOBSEN ORANGE     | 1         | -   | -   | -   | 2242263  | QX,TX  |
|          | 19610-ZE0-000ZH | *NH31*.....MCKINLEY WHITE     | 1         | -   | -   | -   | 2243557  | VPR4   |
|          | 19610-ZE0-000ZK | *NH105*...MAT BLACK (#15-#20) | 1         | -   | -   | -   | 2243557  | QJG2,QXG2  |
|          |                 |                               | 1         | -   | -   | -   | 2243557  | QXG  |
|          |                 |                               | 1         | -   | -   | -   | 2243557  | VEK  |
|          |                 |                               | 1         | -   | -   | -   | 2243557  | LJD2,QJG2,SJD2,SWX2,SWX4                                       |





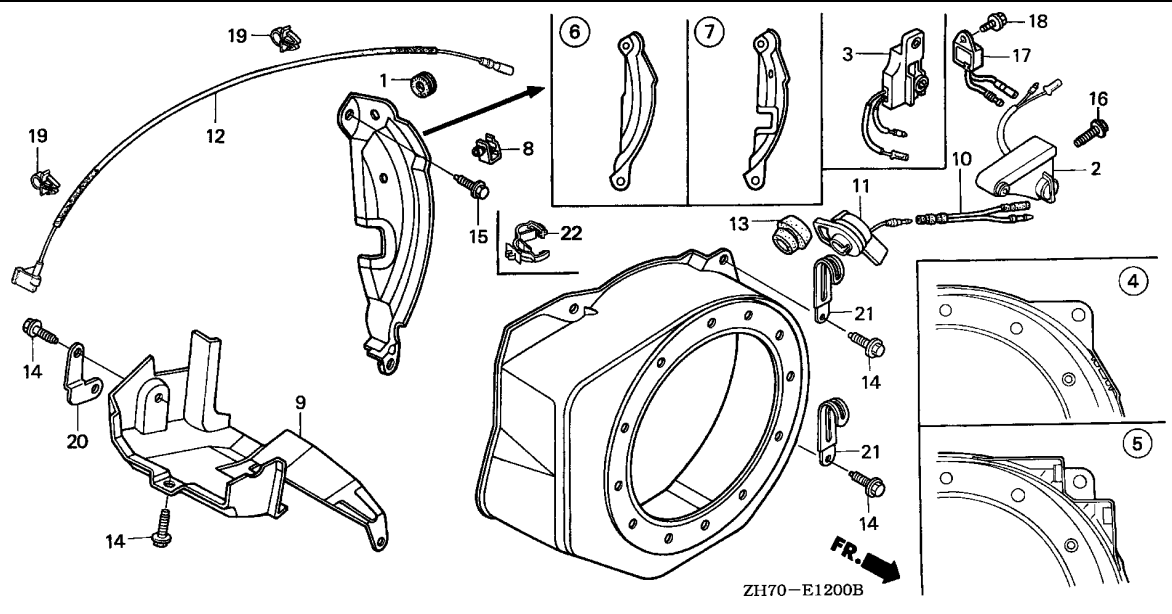


ZH70-E1200B

| Ref. No.      | Part No.                         | Description        | Reqd. QTY |     |     |               | Serial No.         | Parts catalogue code  |            |
|---------------|----------------------------------|--------------------|-----------|-----|-----|---------------|--------------------|---|------------|
|               |                                  |                    | (1)       | (2) | (3) | (4)           |                    |   |            |
| 7             | 19612-ZH7-820                    | PLATE, SIDE (LAMP) | 1         | (1) | -   | -             | ----- H1,LW2,U1,V1 |   |            |
|               |                                  |                    | 1         | (1) | -   | -             | ----- 3182937      | L1,QB26,QJG2,Q1,RHC,R1,SKJ,S1,W1  |            |
|               |                                  |                    | 1         | -   | -   | -             | ----- 3084883      | ----- QXS   |            |
|               |                                  |                    | 1         | -   | -   | -             | ----- 3084883      | ----- 3182937   | ----- QXS2 |
|               |                                  |                    | 1         | (1) | -   | -             | ----- 3182938      | ----- L1,QB26,QJG2,Q1,RHC,SKJ,S1,W1   |            |
| 19612-ZH7-821 | PLATE, SIDE                      | 1                  | (1)       | -   | -   | ----- 3182938 | ----- 3257376      | ----- QXS2,R1   |            |
|               |                                  | 1                  | -         | -   | -   | -----         | ----- LAJ4,LJS     |   |            |
| 19612-ZH7-830 | PLATE, SIDE (ALERT & LAMP)       | 1                  | -         | -   | -   | ----- 3084882 | ----- QXS,QXS2     |   |            |
| 19611-ZH7-820 | PLATE COMP., SIDE (ALERT & LAMP) | -                  | (1)       | -   | -   |               |                    |   |            |
| 8             | 19613-ZE1-000                    | CLAMPER, CORD      | 1         | (1) | -   | -             | ----- 3257377      | ----- QXS2,R1   |            |
|               |                                  |                    | 1         | (1) | -   | -             | -----              | ----- ETX,H1,L1,U1  |            |
|               |                                  |                    | 1         | (1) | -   | -             | ----- 2867760      | HTF2,HX,HXQ,HX2,HX26,HX4,LTA,LX,LX2,LX26,LX4,PX,PX2,QBU2,QLL,QMA8,QMX2,QTC2,QX,QXC,QXC9,QXG,QXQ,QXS,QXS2,QX2,QX26,QX4,Q1,RX,RX4,R1,SAD2,SG24,SJC1,SMA7,SMJ,SMW2,SSX4,SX, SX4,S1,TX,TX2,TX26,TX4,UX,VA,VAX4,VED1,VEX,VSX,VSX1,VX,VX4,V1,WKT2,WME2,W1 |            |
| 19613-ZE1-010 | CLAMP, CORD                      | 1                  | -         | -   | -   | ----- 2569451 | ----- QXG2         |   |            |
| 19613-ZE1-020 | CLAMP, CORD                      | 1                  | -         | -   | -   | ----- 3242876 | ----- VPR4         |   |            |
|               |                                  |                    | 1         | -   | -   | ----- 3242877 | ----- 3257376      | ----- VPR4  |            |
|               |                                  |                    | 1         | -   | -   | ----- 3257377 | -----              | ----- VPR4  |            |

| Ref. No.      | Part No.      | Description                   | Reqd. QTY |     |     |         | Serial No. | Parts catalogue code  |
|---------------|---------------|-------------------------------|-----------|-----|-----|---------|------------|---|
|               |               |                               | (1)       | (2) | (3) | (4)     |            |   |
| 9             | 19630-ZH7-000 | SHROUD COMP. ....             | 1         | -   | -   | -       | -----      | DS,EN,ET,ETX,HH,HHQ4,HTF2,HT2,HX,HXQ,HXU,HX2,HX26,HX4,LAJ4,LD,LDB1,LDB3,LD4,LE,LEH4,LH,LHQ4,LJ,LJC,LJD2,LJS,LJT,LSJ,LSJ4,LTA,LTJ,LTJ1,LTR,LTS,LW2,LX,LXU,LX2,LX26,LX4,PH,PM,PM2,PX,FX2,QA,QA2,QA26,QBU2,QB26,QD,QE,QEH,QH,QHQ4,QH2,QH26,QJG2,QJW1,QLL,QM,QMA4,QMA8,QME4,QMH,QMX2,QPU,QSJ,QT,QTC2,QWA4,QX,QXC,QXC9,QXG,QXG2,QXQ,QXS,QXS2,QXU,QX2,QX26,QX4,QX7,RD,RD4,RH,RHC,RHQ4,RX,RX4,SAD2,SAJ,SAJ4,SCJ,SD,SDB1,SDB3,SD16,SD4,SE,SG24,SH,SHQ4,SJ,SJC,SJC1,SJC5,SJD2,SKJ,SKR,SMA7,SMJ,SMW2,SM11,SM12,SM14,SN,SSK1,SSK2,SSK3,SSX2,SSX4,STP,STS,SWX2,SWX4,SW2,SX,SXS4,SX4,SX7,TH,TX,TX2,TX26,TX4,UH,UX,UXU,VA,VAX4,VED,VED1,VED6,VEE1,VEK,VET,VEX,VEX7,VH,VMS4,VMT,VPR4,VS,VSX,VSX1,VS1,VX,VXU,VX4,VX7,WDA6,WDJ,WD12,WJ,WJP,WJP1,WJ1,WKD6,WKT2,WKT4,WKT6,WMA3,WME2,WME4,WM1 |
| 10            | 32197-ZH8-003 | SUB HARNESS .....             | 1         | -   | -   | -       | -----      | HTF2,HXQ,HXU,HX2,HX26,HX4,LTA,LXU,LX2,LX26,LX4,FX2,QBU2,QLL,QMA8,QMX2,QXC9,QXQ,QXS2,QXU,QX2,QX26,QX4,RX4,SAD2,SJC1,SMA7,SMW2,SSX4,SX4,TX2,TX26,TX4,UXU,VAX4,VEX,VPR4,VSX1,VXU,VX4,WKT2  |
|               |               |                               | 1         | -   | -   | 2186370 | -----      | ETX,LX,PX,RX,SMJ,SX,UX,VA,VED1,VSX,VX   |
|               |               |                               | 1         | -   | -   | 2564424 | -----      | QXG2  |
|               |               |                               | 1         | -   | -   | 2867760 | -----      | QTC2,SG24,WME2  |
|               |               |                               | 1         | -   | -   | 2186370 | -----      | 2867760 HX,QX,QXC,QXG,QXS,TX  |
|               |               |                               | -         | 1   | -   | 2186370 | -----      |   |
| 11            | 36100-ZE1-015 | SWITCH ASSY., ENGINE STOP ... | 1         | -   | -   | -       | -----      | AR,DS,EN,HH,HT2,KR,KRT,KRT6,LD,LDB1,LDB3,LE,LH,LJ,LJS,LJT,LSJ,LTJ,LTJ1,LTR,LTS,LW2,PH,PM,PM2,QA,QA2,QA26,QD,QH,QH2,QH26,QJG2,QM,QSJ,QT,QXG2,RD,RH,SAJ,SD,SDB1,SDB3,SD16,SH,SJ,SJC,SKJ,SM11,SN,SSK1,SSK2,SSK3,STP,STS,SW2,TH,UH,VED,VET,VH,VS,VS1,WDA6,WDJ,WD12,WJ,WJP,WJP1,WJ1,WM1  |
|               |               |                               | 1         | -   | -   | 2321890 | -----      | QEH   |
|               |               |                               | 1         | -   | -   | 2476407 | -----      | QE,QLL,RHC,SE,VEX   |
|               |               |                               | 1         | -   | -   | 2867760 | -----      | HTF2,HXQ,HX2,HX26,LTA,LX2,LX26,PX2,QBU2,QMX2,QTC2,QXC9,QXQ,QXS2,QX2,QX26,SAD2,SJC1,SMW2,TX2,TX26,VSX1,WKT2,WME2   |
|               |               |                               | 1         | -   | -   | 2923168 | -----      | DKR   |
|               |               |                               | 1         | -   | -   | 2186370 | -----      | 2867760 HX,LX,PX,QX,QXC,QXG,QXS,RX,SMJ,SX,TX,UX,VA,VED1,VSX,VX  |
|               |               |                               | -         | (1) | 1   | 1       | -----      |   |
| 36100-ZH7-003 | .....         | .....                         | 1         | -   | -   | -       | -----      | HXU,LJC,LXU,QJW1,QMH,QXU,SJC5,SM12,SSX2,SWX2,UXU,VED6,VEE1,VMT,VXU,WKD6,WKT6  |
|               |               |                               | 1         | -   | -   | 2867761 | -----      | HTF2,HX,HXQ,HX2,HX26,LTA,LX,LX2,LX26,PX,PX2,QBU2,QMX2,QTC2,QX,QXC,QXC9,QXG,QXQ,QXS,QXS2,QX2,QX26,RX,SAD2,SJC1,SMJ,SMW2,SX,TX,TX2,TX26,UX,VA,VED1,VSX,VSX1,VX,WKT2,WME2  |
| 36100-ZH8-W41 | .....         | .....                         | 1         | -   | -   | -       | -----      | HHQ4,KRA4,KRF4,KRT4,LD4,LHQ4,LSJ4,QHQ4,QMA4,QME4,RD4,RHQ4,SAJ4,SD4,SHQ4,WMA3,WME4   |
|               |               |                               | 1         | -   | -   | 2476408 | -----      | QE,RHC,SE   |
|               |               |                               | 1         | -   | -   | 2923169 | -----      | DKR   |
|               |               |                               | 1         | -   | -   | 2867760 | -----      | HX4,LX4,QMA8,QX4,RX4,SG24,SMA7,SSX4,SX4,TX4,VAX4,VX4  |
|               |               |                               | 1         | -   | -   | 2476408 | -----      | QLL,VEX   |
| 36100-ZH7-W41 | .....         | .....                         | 1         | -   | -   | -       | -----      | QWA4,QX7,SM14,SWX4,SXS4,SX7,VEX7,VMS4,VX7,WKT4  |
|               |               |                               | 1         | -   | -   | 2867761 | -----      | HX4,LX4,QLL,QMA8,QX4,RX4,SG24,SMA7,SSX4,SX4,TX4,VAX4,VEX,VX4  |
| 35120-Z0D-V81 | .....         | .....                         | 1         | -   | -   | -       | -----      | KRS4  |





| Ref. No. | Part No.      | Description                    | Reqd. QTY |     |     |     | Serial No. | Parts catalogue code   |
|----------|---------------|--------------------------------|-----------|-----|-----|-----|------------|--|
|          |               |                                | (1)       | (2) | (3) | (4) |            |  |
|          |               |                                | GX120K1   |     |     |     |            |  |
| 12       | 36101-ZE1-010 | CORD, STOP SWITCH (370MM) ...  | 1         | -   | -   | -   | -----      | AR,DKR,DS,EN,ET,ETX,HH,HHQ4,HTF2,HT2,HX,HXQ,HXU,HX2,HX26,HX4<br>KR,KRA4,KRF4,KRS4,KRT,KRT4,KRT6,LAJ4,LD,LDB1,LDB3,LD4,LE,LEH4<br>LH,LHQ4,LJ,LJC,LJD2,LJS,LJT,LSJ,LSJ4,LTA,LTJ,LTK1,LTR,LTS,LW2<br>LX,LXU,LX2,LX26,LX4,PH,PM,PM2,PX,PX2,QA,QAA2,QA2,QA26,QBU2,QD<br>QE,QEH,QH,QHQ4,QH2,QH26,QJG2,QJW1,QLL,QM,QMA4,QMA8,QME4,QMH<br>QMX2,QPU,QSJ,QT,QTC2,QWA4,QX,QXC,QXC9,QXG,QXG2,QXQ,QXS,QXS2<br>QXU,QX2,QX26,QX4,QX7,RD,RD4,RH,RHC,RHQ4,RX,RX4,SAD2,SAJ,SAJ4<br>SCJ,SD,SDB1,SDB3,SD16,SD4,SE,SG24,SH,SHQ4,SJ,SJC,SJC1,SJC5<br>SJD2,SKJ,SKR,SMA7,SMJ,SMW2,SM11,SM12,SM14,SN,SSK1,SSK2,SSK3<br>SSX2,SSX4,STP,STS,SWX2,SWX4,SW2,SX,SXS4,SX4,SX7,TH,TX,TX2,TX26<br>TX4,UH,UX,UXU,VA,VAX4,VED,VED1,VED6,VEE1,VEK,VET,VEX,VEX7,VH<br>VMS4,VMT,VPR4,VS,VSX,VSX1,VS1,VX,VXU,VX4,VX7,WDA6,WDJ,WD12,WJ<br>WJP,WJP1,WJ1,WKD6,WKT2,WKT4,WKT6,WMA3,WME2,WME4,WM1 |
|          | 36101-ZK7-U50 | CORD, STOP SWITCH (BOMBARDIER) | 1         | -   | -   | -   | -----      | QB26   |
| 13       | 81329-567-020 | GROMMET, DRAIN HOLE .....      | 1         | -   | -   | -   | -----      | ET,ETX,LAJ4,LEH4,LJD2,QB26,QPU,SCJ,SJD2,SKR,VEK,VPR4   |
|          |               |                                | 1         | -   | -   | -   | 2321891    | QE   |

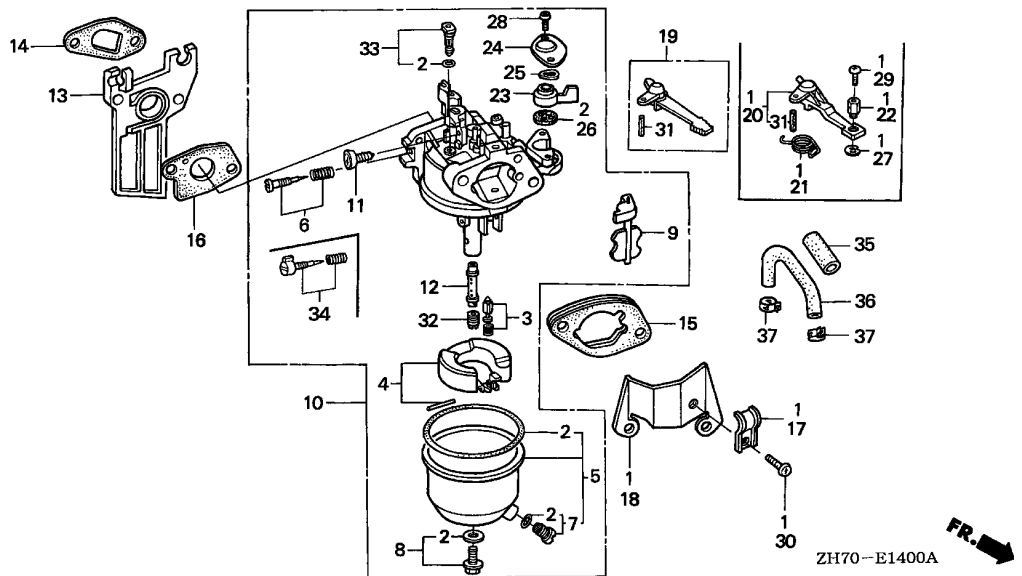
| Ref. No. | Part No.       | Description                    | Reqd. QTY |                |     |     | Serial No.   | Parts catalogue code |
|----------|----------------|--------------------------------|-----------|----------------|-----|-----|--|----------------------|
|          |                |                                | (1)       | GX120K1<br>(2) | (3) | (4) |  |                      |
| 14       | 90013-883-000  | BOLT, FLANGE, 6X12(CT200) ...  | 4         | -              | -   | -   | AR,DKR,KRF4,KRS4   |                      |
|          |                |                                | 6         | -              | -   | -   | DS,EN,ET,ETX,HH,HHQ4,HTF2,HT2,HX,HXQ,HXU,HX2,HX26,HX4,KRA4<br>KRT4,LAJ4,LD,LDB1,LDB3,LD4,LE,LEH4,LH,LHQ4,LJ,LJC,LJD2,LJS,LJT<br>LSJ,LSJ4,LTA,LTJ,LTK1,LTR,LTS,LW2,LX,LXU,LX2,LX26,LX4,PH,PM<br>PM2,PX,PX2,QA,QAA2,QA2,QA26,QBU2,QB26,QD,QE,QEH,QH,QHQ4,QH2<br>QH26,QJG2,QJW1,QLL,QM,QMA4,QMA8,QME4,QMH,QMX2,QPU,QSJ,QT,QTC2<br>QWA4,QX,QXC,QXC9,QXG,QXG2,QXQ,QXS,QXS2,QXU,QX2,QX26,QX4,QX7,RD<br>RD4,RH,RHC,RHQ4,RX,RX4,SAD2,SAJ,SAJ4,SCJ,SD,SDB1,SDB3,SD16,SD4<br>SE,SG24,SH,SHQ4,SJ,SJC,SJC1,SJC5,SJD2,SKJ,SKR,SMA7,SMJ,SMW2<br>SM11,SM12,SM14,SN,SSK1,SSK2,SSK3,SSX2,SSX4,STP,STS,SWX2,SWX4<br>SW2,SX,SXS4,SX4,SX7,TH,TX,TX2,TX26,TX4,UH,UX,UXU,VA,VAX4,VED<br>VED1,VED6,VEE1,VEK,VET,VEX,VEX7,VH,VMS4,VMT,VPR4,VS,VSX,VSX1<br>VS1,VX,VXU,VX4,VX7,WDA6,WDJ,WD12,WJ,WJP,WJP1,WJ1,WKD6,WKT2<br>WKT4,WKT6,WMA3,WME2,WME4,WM1 |                      |
| 15       | 90022-888-010  | BOLT, FLANGE, 6X20(CT200) ...  | -         | 6              | 6   | 6   |  |                      |
| 16       | 95701-06008-00 | BOLT, FLANGE, 6X8 .....        | 2         | -              | -   | -   | 2186369 HX,LX,PX,QX,QXC,QXG,QXS,RX,SMJ,SX,TX,UX,VA,VED1,VSX,VX   |                      |
|          |                |                                | -         | (2)            | -   | -   | 2186369  |                      |
| 17       | 34150-ZH7-003  | ALERT UNIT, OIL .....          | 1         | (1)            | -   | -   | 3257377 HX,HX26,HX4,LTA,LX,LX26,LX4,PX,QJW1,QLL,QMA8,QMH,QTC2,QX,QXC<br>QX26,QX4,Q1,RX,RX4,R1,SG24,SJC1,SJC5,SMA7,SMJ,SSX4,SX,SX4,S1<br>TX,TX26,TX4,UX,VAX4,VED1,VEE1,VEX,VMS4,VPR4,VSX,VSX1,VX,VX4<br>WME2,W1   |                      |
|          |                |                                | 1         | -              | -   | -   | HXU,LJC,LXU,QWA4,QXU,QX7,SM12,SM14,SSX2,SWX2,SWX4,SXS4,SX7,UXU<br>VED6,VEX7,VMT,VXU,VX7,WKD6,WKT4,WKT6   |                      |
| 18       | 95701-06008-00 | BOLT, FLANGE, 6X8 .....        | 1         | -              | -   | -   | 3259269 HTF2,HX2,LX2,FX2,QMX2,QXC9,QXS2,QX2,SMW2,TX2,WKT2  |                      |
|          |                |                                | 1         | (1)            | -   | -   | 3257377 HX,HX26,HX4,LTA,LX,LX26,LX4,PX,QJW1,QLL,QMA8,QMH,QTC2,QX,QXC<br>QX26,QX4,Q1,RX,RX4,R1,SG24,SJC1,SJC5,SMA7,SMJ,SSX4,SX,SX4,S1<br>TX,TX26,TX4,UX,VAX4,VED1,VEE1,VEX,VMS4,VPR4,VSX,VSX1,VX,VX4<br>WME2,W1   |                      |
|          |                |                                | 1         | -              | -   | -   | HXU,LJC,LXU,QWA4,QXU,QX7,SM12,SM14,SSX2,SWX2,SWX4,SXS4,SX7,UXU<br>VED6,VEX7,VMT,VXU,VX7,WKD6,WKT4,WKT6   |                      |
| 19       | 36103-ZE1-000  | HOLDER, STOP SWITCH CORD ..... | 2         | 2              | -   | -   | 3259269 HTF2,HX2,LX2,FX2,QMX2,QXC9,QXS2,QX2,SMW2,TX2,WKT2  |                      |
| 20       | 32303-ZE0-850  | STAY, CORD CLIP .....          | 1         | -              | -   | -   | DS,HX,H1,LD,LJ,LTA,LTJ,LX,PH,PX,QD,QSJ,QX,Q1,RD,RX,R1,SD,SJ<br>SKJ,SMJ,STS,SX,TH,UH,UX,U1,VET,VH,VX,V1,WJ,W1   |                      |
| 21       | 91406-657-671  | CLIP, WIRE HARNESS .....       | 2         | -              | -   | -   | VEK  |                      |
| 22       | 90601-ZH7-003  | CLIP, HARNESS .....            | 1         | -              | -   | -   | SJD2   |                      |
|          | 90601-ZH7-013  | .....                          | 1         | (1)            | -   | -   | 2867760 QMH  |                      |
|          |                |                                | 1         | -              | -   | -   | 2867761 HTF2,HX,HXQ,HX2,HX26,HX4,LTA,LX,LX2,LX26,LX4,PX,PX2,QBU2,QLL<br>QMA8,QMH,QMX2,QTC2,QX,QXC,QXC9,QXG,QXQ,QXS,QXS2,QX2,QX26,QX4<br>Q1,RX,RX4,R1,SAD2,SG24,SJC1,SMA7,SMJ,SMW2,SSX4,SX,SX4,S1,TX<br>TX2,TX26,TX4,UX,VA,VAX4,VED1,VEX,VSX,VSX1,VX,VX4,V1,WKT2,WME2<br>W1   |                      |
|          |                |                                | 1         | -              | -   | -   | HXU,LJC,LXU,QJW1,QWA4,QXU,QX7,SJC5,SM12,SM14,SSX2,SWX2,SWX4<br>SXS4,SX7,UXU,VED6,VEE1,VEX7,VMS4,VMT,VXU,VX7,WKD6,WKT4,WKT6   |                      |



E-14

CARBURETOR(1)

H 6



| Ref. No. | L.O.N. | (Relative ref. Number) Description              | F.R.T. |
|----------|--------|---|--------|
| 1        | 8101C4 | CHOKE KIT, REMOTE CONTROL                       | 0.2    |
| 2        | 3111B1 | GASKET SET, CARBURETOR                          | 0.3    |
| 3        | 3111E1 | VALVE SET, FLOAT AND/OR FLOAT SET               | 0.3    |
| 6        | 3111D7 | SCREW SET, PILOT                                | 0.2    |
| 10       | 3111F3 | CARBURETOR                                      | 0.2    |
| 13       | 3111C0 | INSULATOR, CARBURETOR AND/OR PACKING, INSULATOR | 0.2    |
| 16       | 3111C8 | PACKING, CARBURETOR                             | 0.2    |
| 19       | 8101F9 | LEVER, CARBURETOR CHOKE                         | 0.2    |
| 26       | 3101C5 | PACKING, FUEL COCK                              | 0.2    |
| 32       | 3111C3 | JET, MAIN                                       | 0.3    |
| 36       | 3101F6 | TUBE, FUEL                                      | 0.2    |

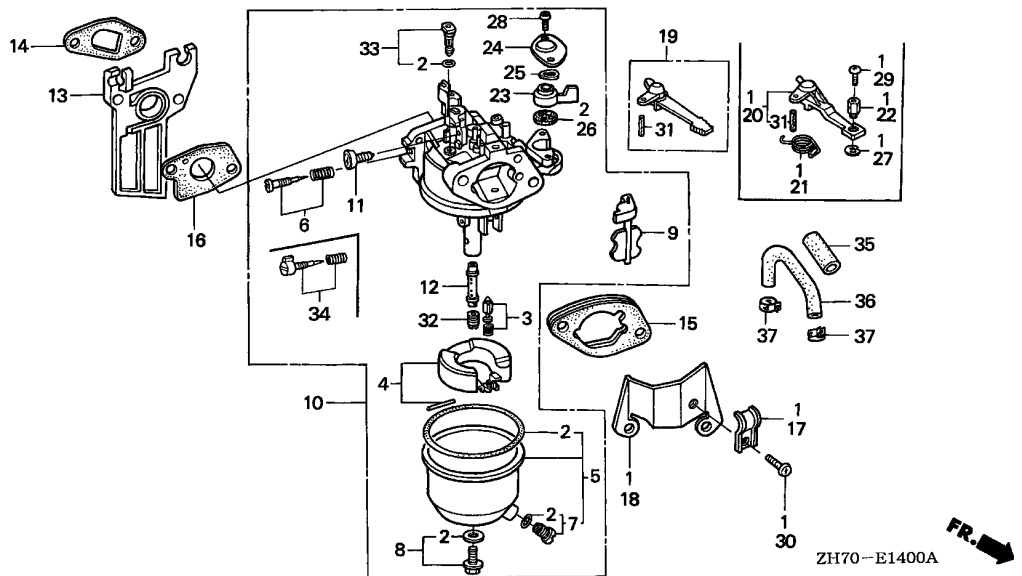
| Ref. No. | Part No.      | Description                         | Reqd. QTY |     |     |     | Serial No. | Parts catalogue code  |
|----------|---------------|-------------------------------------|-----------|-----|-----|-----|------------|---|
|          |               |                                     | (1)       | (2) | (3) | (4) |            |   |
| 1        | 06164-ZE0-000 | CHOKE KIT, REMOTE CONTROL           | -         | (1) | -   | -   | U1         |   |
|          | 06164-ZE1-000 | .....                               | -         | (1) | -   | -   | 2377547    | H1,L1,Q1,R1,S1,V1,W1  |
| 2        | 16010-ZB1-015 | GASKET SET                          | 1         | -   | -   | -   | 2377548    | AR,DKR,KR,KRA4,KRF4,KRS4,KRT,KRT4,KRT6  |
|          | 16010-ZE0-025 | .....                               | 1         | -   | -   | -   |            | LD,LDB1,LDB3,LD4,LE,LSJ4,LW2,PM,PM2,QD,QE,QM,RD,RD4,SD,SDB1,SDB3,SD16,SD4,SE,SW2,WMA3,WME4,WM1  |
| 3        | 16011-ZE0-005 | VALVE SET, FLOAT                    | 1         | -   | -   | -   |            | AR,DKR,KR,KRA4,KRF4,KRS4,KRT,KRT4,KRT6,LD,LDB1,LDB3,LD4,LE,LSJ4,LW2,PM,PM2,QD,QE,QM,RD,RD4,SD,SDB1,SDB3,SD16,SD4,SE,SW2,WMA3,WME4,WM1 |
| 4        | 16013-ZE0-005 | FLOAT SET                           | 1         | (1) | -   | -   |            | AR,DKR,KR,KRA4,KRF4,KRS4,KRT,KRT4,KRT6,LD,LDB1,LDB3,LD4,LE,LSJ4,LW2,PM,PM2,QD,QE,QM,RD,RD4,SD,SDB1,SDB3,SD16,SD4,SE,SW2,WMA3,WME4,WM1 |
| 5        | 16015-ZE1-811 | CHAMBER SET, FLOAT (CARBURETOR NO.) | 1         | (1) | -   | -   |            | AR,DKR,KR,KRA4,KRF4,KRS4,KRT,KRT4,KRT6,U1   |
|          | 16015-ZE0-831 | ..... (CARBURETOR NO.)              | 1         | (1) | -   | -   | BE12B B    | H1,LD,LDB1,LDB3,LD4,LE,LW2,L1,PM,PM2,QD,QE,QM,Q1,RD,RD4,R1,SD,SDB1,SDB3,SD16,SD4,SE,SW2,S1,V1,WMA3,W1                                 |
|          |               | ..... (CARBURETOR NO.)              | 1         | (1) | -   | -   | BE12B C    | H1,LD,LDB1,LDB3,LD4,LE,LW2,L1,PM,PM2,QD,QE,QM,Q1,RD,RD4,R1,SD,SDB1,SDB3,SD16,SD4,SE,SW2,S1,V1,WMA3,W1                                 |
| 6        | 16016-ZE0-005 | SCREW SET, PILOT (CARBURETOR NO.)   | 1         | -   | -   | -   |            | KRA4,KRT6,LDB1,LD4,LE,LW2,PM,PM2,QM,SW2   |
|          | ///           | .....                               | 1         | -   | -   | -   |            | BE12B C LD,LDB3,LSJ4,QD,QE,RD,RD4,SD,SDB1,SDB3,SD16,SD4,SE,WMA3,WME4  |
|          | ///           | .....                               | 1         | -   | -   | -   |            | BE61F A WM1   |
|          | ///           | .....                               | 1         | -   | -   | -   |            | BE62A A AR,DKR,KR,KRT,KRT4  |
|          |               | .....                               | -         | (1) | -   | -   |            |   |

2

| Ref. No. | Part No.      | Description                    | Reqd. QTY |                |     |     | Serial No.  | Parts catalogue code |
|----------|---------------|--------------------------------|-----------|----------------|-----|-----|---|----------------------|
|          |               |                                | (1)       | GX120K1<br>(2) | (3) | (4) |   |                      |
| 7        | 16024-ZE1-811 | SCREW SET, DRAIN .....         | 1         | -              | -   | -   | AR,DKR,KR,KRA4,KRF4,KRS4,KRT,KRT4,KRT6,LD,LDB1,LDB3,LD4,LE<br>LSJ4,LW2,PM,PM2,QD,QE,QM,RD,RD4,SD,SDB1,SDB3,SD16,SD4,SE,SW2<br>WMA3,WME4,WM1 |                      |
| 8        | 16028-ZE0-005 | SCREW SET .....                | 1         | (1)            | -   | -   | AR,DKR,KR,KRA4,KRF4,KRS4,KRT,KRT4,KRT6,LD,LDB1,LDB3,LD4,LE<br>LSJ4,LW2,PM,PM2,QD,QE,QM,RD,RD4,SD,SDB1,SDB3,SD16,SD4,SE,SW2<br>WMA3,WME4,WM1 |                      |
| 9        | 16044-ZE0-005 | CHOKE SET .....                | 1         | (1)            | -   | -   | AR,DKR,KR,KRA4,KRF4,KRS4,KRT,KRT4,KRT6,LDB1,LDB3,LD4,LSJ4,RD4<br>SDB1,SDB3,SD16,SD4,WMA3,WME4,WM1   |                      |
|          |               | (CARBURETOR NO.)               | 1         | -              | -   | -   | LD,LE,LW2,PM,PM2,QD,QE,QM,RD,SD,SE,SW2  |                      |
| 10       | 16100-ZH7-810 | CARBURETOR ASSY. (BE12B A) ..  | 1         | (1)            | -   | -   | BE12B B<br>BE12B B<br>2354502 LD,LE,LW2,PM,PM2,QD,QE,QM,RD,SD,SE,SW2<br>2354502   |                      |
|          | 16100-ZH7-811 | CARBURETOR ASSY. (BE12B B) ..  | 1         | (1)            | -   | -   | 2354503 2724424 H1,LD,LE,LW2,L1,PM,PM2,QD,QE,QM,Q1,RD,R1,SD,SE,SW2,S1,V1,W1<br>2724424 LDB1,LDB3,LD4,RD4,SDB1,SDB3,SD16,SD4,WMA3            |                      |
|          | 16100-ZH7-812 | CARBURETOR ASSY. (BE12B C) ..  | 1         | (1)            | -   | -   | 2354503 U1<br>2724425 H1,LDB1,LD4,LE,LW2,L1,PM,PM2,QM,Q1,R1,SW2,S1,V1,W1  |                      |
|          |               |                                | 1         | -              | -   | -   | 3491424 LSJ4,WME4   |                      |
|          |               |                                | 1         | -              | -   | -   | 2724425 2988646 SD16  |                      |
|          |               |                                | 1         | -              | -   | -   | 2724425 3491424 LD,LDB3,QD,QE,RD,RD4,SD,SDB1,SDB3,SD4,SE,WMA3   |                      |
|          | 16100-ZK7-801 | CARBURETOR ASSY. (BE61F A) ..  | 1         | -              | -   | -   | 3491424 WM1   |                      |
|          | 16100-ZH7-W71 | CARBURETOR ASSY. (BE61D B) ..  | 1         | -              | -   | -   | 2988647 SD16  |                      |
|          |               |                                | 1         | -              | -   | -   | 3491425 LD,LDB3,LSJ4,QD,RD,RD4,SD,SDB1,SDB3,SD4,WMA3,WME4,WM1   |                      |
|          | 16100-ZH7-W81 | CARBURETOR ASSY. (BE61G A) ..  | 1         | -              | -   | -   | 3491425 QE,SE   |                      |
|          | 16100-ZK7-V00 | CARBURETOR ASSY. (BE62A A) ..  | 1         | -              | -   | -   | 3220948 AR  |                      |
|          | 16100-ZK7-V01 | .....                          | 1         | -              | -   | -   | KRA4,KRT6   |                      |
|          |               |                                | 1         | -              | -   | -   | 6276049 DKR,KR,KRT,KRT4   |                      |
|          | 16100-ZK7-U31 | CARBURETOR ASSY. (BE62C A) ..  | 1         | -              | -   | -   | KRF4,KRS4   |                      |
|          |               |                                | 1         | -              | -   | -   | 3220949 AR  |                      |
|          |               |                                | 1         | -              | -   | -   | 6276050 DKR,KR,KRT,KRT4   |                      |
| 11       | 16124-ZE0-005 | SCREW, THROTTLE STOP .....     | 1         | -              | -   | -   | AR,DKR,KR,KRA4,KRF4,KRS4,KRT,KRT4,KRT6,LD,LDB1,LDB3,LD4,LE<br>LSJ4,LW2,PM,PM2,QD,QE,QM,RD,RD4,SD,SDB1,SDB3,SD16,SD4,SE,SW2<br>WMA3,WME4,WM1 |                      |
| 12       | 16166-ZH7-A50 | NOZZLE, MAIN .....             | 1         | (1)            | -   | -   | AR,DKR,KR,KRA4,KRF4,KRS4,KRT,KRT4,KRT6  |                      |
|          | 16166-ZH7-820 | .....                          | 1         | -              | -   | -   | AR,DKR,KR,KRA4,KRF4,KRS4,KRT,KRT4,KRT6  |                      |
|          |               | (CARBURETOR NO.)               | 1         | -              | -   | -   | BE12B A LD,LE,LW2,PM,PM2,QD,QE,QM,RD,SD,SE,SW2  |                      |
|          |               |                                | 1         | (1)            | -   | -   | BE12B A   |                      |
|          | 16166-ZH7-W50 | .....                          | 1         | -              | -   | -   | LDB1,LDB3,LD4,LSJ4,RD4,SDB1,SDB3,SD16,SD4,WMA3,WME4,WM1   |                      |
|          |               | (CARBURETOR NO.)               | 1         | -              | -   | -   | LD,LE,LW2,PM,PM2,QD,QE,QM,RD,SD,SE,SW2  |                      |
|          |               |                                | 1         | (1)            | -   | -   | BE12B B   |                      |
|          |               |                                | 1         | -              | -   | -   | BE12B B   |                      |
| 13       | 16211-ZE0-000 | INSULATOR, CARBURETOR .....    | 1         | -              | -   | -   | AR,DKR,KR,KRA4,KRF4,KRS4,KRT,KRT4,KRT6,LD,LDB1,LDB3,LD4,LE<br>LSJ4,LW2,PM,PM2,QD,QE,QM,RD,RD4,SD,SDB1,SDB3,SD16,SD4,SE,SW2<br>WMA3,WME4,WM1 |                      |
| 14       | 16212-ZH7-000 | PACKING, INSULATOR .....       | 1         | 1              | -   | -   | 2272434 LW2,PM,PM2,QM,SW2   |                      |
|          |               |                                | 1         | (1)            | -   | -   | 2272434   |                      |
|          | 16212-ZH7-800 | .....                          | 1         | -              | -   | -   | AR,DKR,KR,KRA4,KRF4,KRS4,KRT,KRT4,KRT6,LD,LDB1,LDB3,LD4,LE<br>LSJ4,QD,QE,RD,RD4,SD,SDB1,SDB3,SD16,SD4,SE,WMA3,WME4,WM1                      |                      |
|          |               |                                | 1         | -              | -   | -   | 2272435 LW2,PM,PM2,QM,SW2   |                      |
|          |               |                                | 1         | (1)            | -   | -   | 2272435   |                      |
| 15       | 16220-ZE1-020 | SPACER COMP., CARBURETOR ..... | 1         | -              | -   | -   | AR,DKR,KR,KRA4,KRF4,KRS4,KRT,KRT4,KRT6,LD,LDB1,LDB3,LD4,LE<br>LSJ4,LW2,PM,PM2,QD,QE,QM,RD,RD4,SD,SDB1,SDB3,SD16,SD4,SE,SW2<br>WMA3,WME4,WM1 |                      |
|          |               |                                | 1         | 1              | -   | -   |   |                      |







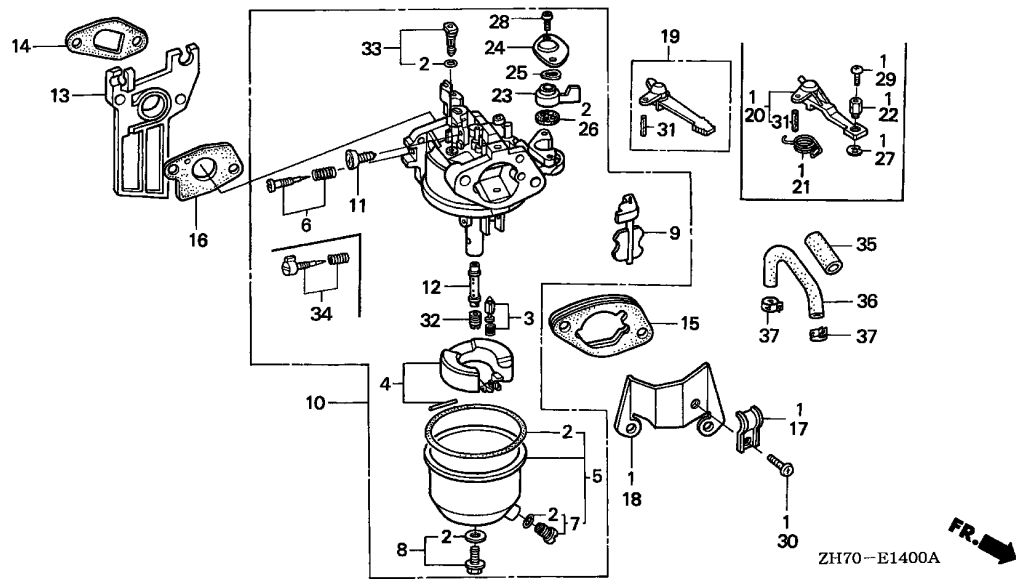
ZH70-E1400A



| Ref. No. | Part No.      | Description                 | Reqd. QTY |     |     |     | Serial No.   | Parts catalogue code |
|----------|---------------|-----------------------------|-----------|-----|-----|-----|--|----------------------|
|          |               |                             | (1)       | (2) | (3) | (4) |  |                      |
| 16       | 16221-ZE1-000 | PACKING, CARBURETOR         | 1         | -   | -   | -   | 2272434 LW2,PM,PM2,QM,SW2                                      |                      |
|          | 16221-ZH8-800 |                             | 1         | -   | -   | -   | 2272434  |                      |
|          |               |                             | 1         | -   | -   | -   | 2533057 LD,LE,QD,QE,RD,SD,SE                                   |                      |
|          |               |                             | 1         | -   | -   | -   | 2541043 LD4,RD4,SD4  |                      |
|          |               |                             | 1         | -   | -   | -   | 2272435 LW2,PM,PM2,QM,SW2                                      |                      |
|          | 16221-ZH8-801 |                             | 1         | (1) | -   | -   | AR,DKR,H1,KR,KRA4,KRF4,KRS4,KRT,KRT4,KRT6,LDB1,LDB3,LSJ4,Q1,R1 |                      |
|          |               |                             | 1         | -   | -   | -   | SDB1,SDB3,SD16,V1,WMA3,WME4,WM1                                |                      |
|          |               |                             | 1         | -   | -   | -   | 2533058 LD,LE,LW2,PM,PM2,QD,QE,QM,RD,SD,SE,SW2                 |                      |
|          |               |                             | 1         | -   | -   | -   | 2541044 LD4,RD4,SD4  |                      |
| 17       | 16582-883-300 | HOLDER, CONTROL CABLE       | -         | (1) | -   | -   |  |                      |
| 18       | 16598-ZE0-000 | STAY, CHOKE CONTROL         | -         | (1) | -   | -   | U1   |                      |
|          | 16598-ZE1-000 |                             | -         | (1) | -   | -   | 2377547 H1,L1,Q1,R1,S1,V1,W1                                   |                      |
| 19       | 16610-ZE1-000 | LEVER COMP., CHOKE (STD.)   | 1         | -   | -   | -   | 2377548 H1,L1,Q1,R1,S1,V1,W1                                   |                      |
|          |               |                             | -         | (1) | -   | -   | AR,DKR,KR,KRA4,KRF4,KRS4,KRT,KRT4,KRT6,LD,LDB1,LDB3,LD4,LE     |                      |
|          |               |                             | -         | (1) | -   | -   | LSJ4,LW2,PM,PM2,QD,QE,QM,RD,RD4,SD,SDB1,SDB3,SD16,SD4,SE,SW2   |                      |
|          |               |                             | -         | (1) | -   | -   | WMA3,WME4,WM1  |                      |
| 20       | 16610-ZE1-810 | LEVER COMP., CHOKE (REMOTE) | -         | (1) | -   | -   |  |                      |
| 21       | 16615-ZE1-010 | SPRING, RETURN              | -         | (1) | -   | -   |  |                      |
| 22       | 16617-890-010 | HOLDER, CABLE               | -         | (1) | -   | -   |  |                      |
| 23       | 16953-ZE1-812 | LEVER, COCK                 | 1         | -   | -   | -   | LD,LDB1,LDB3,LD4,LE,LSJ4,LW2,PM,PM2,QD,QE,QM,RD,RD4,SD,SDB1    |                      |
|          |               |                             | -         | (1) | -   | -   | SDB3,SD16,SD4,SE,SW2,WMA3,WME4,WM1                             |                      |
| 24       | 16954-ZE1-811 | PLATE, LEVER SETTING        | -         | (1) | -   | -   | U1   |                      |
|          | 16954-ZE1-812 |                             | 1         | (1) | -   | -   | H1,LD,LDB1,LDB3,LD4,LE,LSJ4,LW2,L1,PM,PM2,QD,QE,QM,Q1,RD,RD4   |                      |
|          |               |                             | -         | (1) | -   | -   | R1,SD,SDB1,SDB3,SD16,SD4,SE,SW2,S1,V1,WMA3,WME4,WM1,W1         |                      |

| Ref. No. | Part No.       | Description               | Reqd. QTY |     |     |     | Serial No.  | Parts catalogue code |
|----------|----------------|---------------------------|-----------|-----|-----|-----|---|----------------------|
|          |                |                           | (1)       | (2) | (3) | (4) |   |                      |
| 25       | 16956-ZE1-811  | SPRING, COCK LEVER .....  | 1         | -   | -   | -   | LD,LDB1,LDB3,LD4,LE,LSJ4,LW2,PM,PM2,QD,QE,QM,RD,RD4,SD,SDB1<br>SDB3,SD16,SD4,SE,SW2,WMA3,WME4,WM1   |                      |
|          |                |                           | -         | (1) | -   | -   |   |                      |
| 26       | 16957-ZE1-812  | PACKING, FUEL COCK .....  | 1         | -   | -   | -   | LD,LDB1,LDB3,LD4,LE,LSJ4,LW2,PM,PM2,QD,QE,QM,RD,RD4,SD,SDB1<br>SDB3,SD16,SD4,SE,SW2,WMA3,WME4,WM1   |                      |
|          |                |                           | -         | (1) | -   | -   |   |                      |
| 27       | 90605-230-000  | CIRCLIP, 5MM .....        | -         | (1) | -   | -   |   |                      |
| 28       | 93500-03008-1G | SCREW, PAN, 3X8 .....     | -         | (1) | -   | -   |   |                      |
|          |                | (CARBURETOR NO.)          | 2         | (2) | -   | -   | BE12B B H1,LD,LDB1,LDB3,LD4,LE,LW2,L1,PM,PM2,QD,QE,QM,Q1,RD,RD4,R1,SD<br>SDB1,SDB3,SD16,SD4,SE,SW2,S1,V1,WMA3,W1                            |                      |
|          |                |                           | -         | (2) | -   | -   | U1  |                      |
|          | 93500-03006-1H | SCREW, PAN, 3X6 .....     | 2         | (2) | -   | -   | BE12B C H1,LD,LDB1,LDB3,LD4,LE,LW2,L1,PM,PM2,QD,QE,QM,Q1,RD,RD4,R1,SD<br>SDB1,SDB3,SD16,SD4,SE,SW2,S1,V1,WMA3,W1                            |                      |
|          |                | (CARBURETOR NO.)          | 2         | -   | -   | -   | LSJ4,WME4,WM1   |                      |
| 29       | 93500-04008-0A | SCREW, PAN, 4X8 .....     | -         | (1) | -   | -   |   |                      |
| 30       | 93500-05008-0A | SCREW, PAN, 5X8 .....     | -         | (1) | -   | -   |   |                      |
| 31       | 94305-20122    | PIN, SPRING, 2X12 .....   | 1         | -   | -   | -   | AR,DKR,KR,KRA4,KRF4,KRS4,KRT,KRT4,KRT6,LD,LDB1,LDB3,LD4,LE<br>LSJ4,LW2,PM,PM2,QD,QE,QM,RD,RD4,SD,SDB1,SDB3,SD16,SD4,SE,SW2<br>WMA3,WME4,WM1 |                      |
|          |                |                           | -         | (1) | -   | -   |   |                      |
| 32       | 99101-ZF5-0550 | JET, MAIN, #55 .....      | (1)       | (1) | -   | -   | LDB1,LD4,LE,LW2,PM2,SW2,U1,V1   |                      |
|          |                | (CARBURETOR NO.)          | (1)       | -   | -   | -   | BE61D A SD16  |                      |
|          | 99101-ZF5-0580 | JET, MAIN, #58 .....      | (1)       | (1) | -   | -   | LDB1,LD4,LE,LW2,PM2,SW2,U1,V1   |                      |
|          |                | (CARBURETOR NO.)          | (1)       | -   | -   | -   | BE61D A SD16  |                      |
|          | 99101-ZF5-0600 | JET, MAIN, #60 .....      | 1         | -   | -   | -   | BE12B A LD,LE,LW2,PM,PM2,QD,QE,QM,RD,SD,SE,SW2  |                      |
|          |                | (CARBURETOR NO.)          | -         | (1) | -   | -   | BE12B A   |                      |
|          | 99101-ZH7-0600 | /// .....                 | 1         | (1) | -   | -   | BE12B B LE,LW2,PM2,SW2,U1,V1  |                      |
|          |                | (CARBURETOR NO.)          | 1         | -   | -   | -   | LDB1,LD4  |                      |
|          |                |                           | 1         | -   | -   | -   | BE61D A SD16  |                      |
|          | 99101-ZH8-0550 | JET, MAIN, #55 .....      | (1)       | (1) | -   | -   | H1,L1,PM,QE,QM,Q1,R1,SE,S1,W1   |                      |
|          |                | (CARBURETOR NO.)          | (1)       | -   | -   | -   | BE12B C LD,LDB3,LSJ4,QD,RD,RD4,SD,SDB1,SDB3,SD4,WMA3,WME4   |                      |
|          | 99101-ZH8-0580 | JET, MAIN, #58 .....      | (1)       | (1) | -   | -   | AR,DKR,H1,KR,KRA4,KRF4,KRS4,KRT,KRT4,KRT6,L1,PM,QE,QM,Q1,R1,SE<br>S1,WM1,W1   |                      |
|          |                | (CARBURETOR NO.)          | (1)       | -   | -   | -   | BE61D B SD16  |                      |
|          |                |                           | (1)       | -   | -   | -   | BE12B C LD,LDB3,LSJ4,QD,RD,RD4,SD,SDB1,SDB3,SD4,WMA3,WME4   |                      |
|          | 99101-ZH8-0600 | JET, MAIN, #60 .....      | 1         | (1) | -   | -   | BE12B B H1,L1,PM,QE,QM,Q1,R1,SE,S1,W1   |                      |
|          |                | (CARBURETOR NO.)          | 1         | -   | -   | -   | BE12B C WME4  |                      |
|          |                |                           | 1         | -   | -   | -   | BE12B B BE12B C LD,LDB3,LSJ4,QD,RD,RD4,SD,SDB1,SDB3,SD4,WMA3  |                      |
|          |                |                           | (1)       | -   | -   | -   | AR,DKR,KR,KRA4,KRF4,KRS4,KRT,KRT4,KRT6,WM1  |                      |
|          |                |                           | (1)       | -   | -   | -   | BE61D B SD16  |                      |
|          | 99101-ZH8-0620 | JET, MAIN, #62 .....      | 1         | -   | -   | -   | AR,DKR,KR,KRA4,KRF4,KRS4,KRT,KRT4,KRT6,WM1  |                      |
|          |                | (CARBURETOR NO.)          | 1         | -   | -   | -   | BE61D B SD16  |                      |
|          | 99101-ZH8-0580 | JET, MAIN, #58 .....      | (1)       | -   | -   | -   | BE61D B LD,LDB3,LSJ4,QD,RD,RD4,SD,SDB1,SDB3,SD4,WMA3,WME4   |                      |
|          |                | (CARBURETOR NO.)          | (1)       | -   | -   | -   | BE61D B LD,LDB3,LSJ4,QD,RD,RD4,SD,SDB1,SDB3,SD4,WMA3,WME4   |                      |
|          | 99101-ZH8-0600 | JET, MAIN, #60 .....      | 1         | -   | -   | -   | BE61D B LD,LDB3,LSJ4,QD,RD,RD4,SD,SDB1,SDB3,SD4,WMA3,WME4   |                      |
|          |                | (CARBURETOR NO.)          | 1         | -   | -   | -   | BE61D B LD,LDB3,LSJ4,QD,RD,RD4,SD,SDB1,SDB3,SD4,WMA3,WME4   |                      |
|          | 99101-ZH8-0620 | JET, MAIN, #62 .....      | 1         | -   | -   | -   | AR,DKR,KR,KRA4,KRF4,KRS4,KRT,KRT4,KRT6,LD,LDB1,LDB3,LD4,LE<br>LSJ4,LW2,PM,PM2,QD,QE,QM,RD,RD4,SD,SDB1,SDB3,SD16,SD4,SE,SW2<br>WMA3,WME4,WM1 |                      |
| 33       | 99204-ZE0-0350 | JET SET, PILOT, #35 ..... | 1         | -   | -   | -   |   |                      |
|          |                |                           | -         | (1) | -   | -   |   |                      |





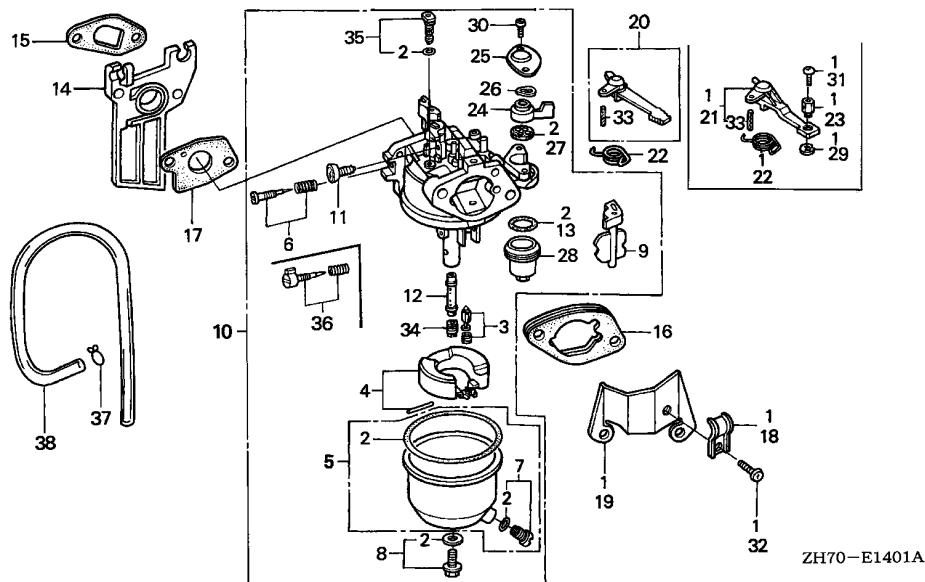
2

| Ref. No. | Part No.       | Description                              | Reqd. QTY |     |     |     | Serial No.  | Parts catalogue code |
|----------|----------------|--|-----------|-----|-----|-----|---|----------------------|
|          |                |  | (1)       | (2) | (3) | (4) |   |                      |
|          |                |  | GX120K1   |     |     |     |   |                      |
| 34       | 16016-ZH7-W01  | SCREW SET, PILOT<br>(CARBURETOR NO.)     | 1         | -   | -   | -   | KRF4, KRS4  |                      |
|          |                | ///                                      | 1         | -   | -   | -   | LD, LDB3, LSJ4, QD, RD, RD4, SD, SDB1, SDB3, SD16, SD4, WMA3, WME4, WM1 |                      |
|          |                | ///                                      | 1         | -   | -   | -   | BE61D B ----- QE, SE  |                      |
| 35       | 16854-ZH8-000  | RUBBER, SUPPORTER (107MM) ...            | 1         | -   | -   | -   | BE61G A ----- AR, DKR, KR, KRT, KRT4                                    |                      |
|          |                |  | 1         | -   | -   | -   | ----- AR, KRF4  |                      |
| 36       | 95001-45400-60 | TUBE, FUEL, 4.5X400<br>(95001-45001-60M) | 1         | -   | -   | -   | ----- AR, KRF4  |                      |
| 37       | 95002-40800-08 | CLAMP, TUBE (D8) .....                   | 2         | -   | -   | -   | ----- AR, KRF4  |                      |

E-14-1

CARBURETOR(2)

H11



ZH70-E1401A



| Ref. No. | L.O.N. | (Relative ref. Number) Description              | F.R.T. |
|----------|--------|---|--------|
| 1        | 8101C4 | CHOKE KIT, REMOTE CONTROL                       | 0.2    |
| 2        | 3111B1 | GASKET SET, CARBURETOR                          | 0.3    |
| 3        | 3111E1 | VALVE SET, FLOAT AND/OR FLOAT SET               | 0.3    |
| 6        | 3111D7 | SCREW SET, PILOT                                | 0.2    |
| 10       | 3111F3 | CARBURETOR                                      | 0.2    |
| 14       | 3111C0 | INSULATOR, CARBURETOR AND/OR PACKING, INSULATOR | 0.2    |
| 17       | 3111C8 | PACKING, CARBURETOR                             | 0.2    |
| 20       | 8101F9 | LEVER, CARBURETOR CHOKE                         | 0.2    |
| 27       | 3101C5 | PACKING, FUEL COCK                              | 0.2    |
| 34       | 3111C3 | JET, MAIN                                       | 0.3    |

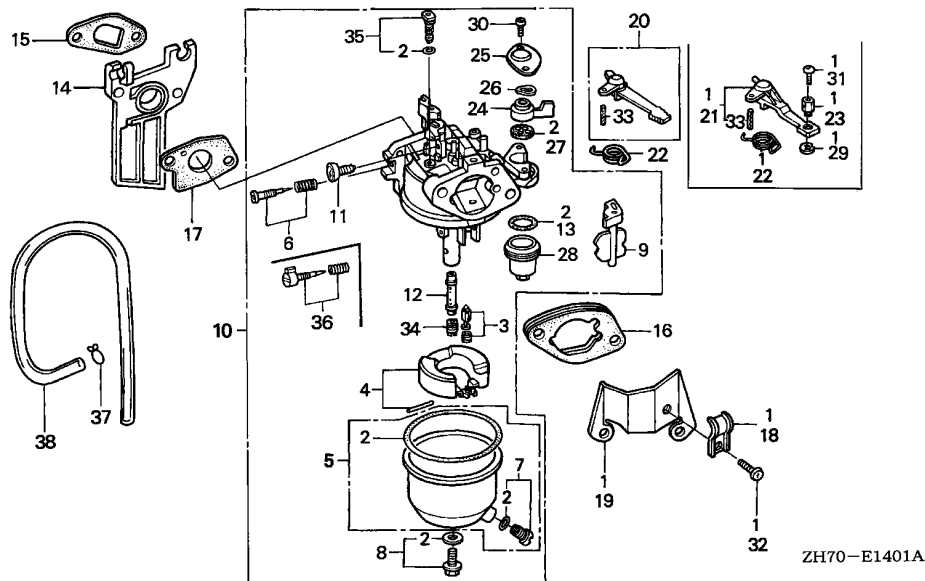
| Ref. No. | Part No.      | Description               | Reqd. QTY |     |     |     | Serial No. | Parts catalogue code  |  |
|----------|---------------|---------------------------|-----------|-----|-----|-----|------------|---|--|
|          |               |                           | (1)       | (2) | (3) | (4) |            |   |  |
| 1        | 06164-ZE0-000 | CHOKE KIT, REMOTE CONTROL | -         | (1) | -   | -   | U1         |   |  |
|          | 06164-ZE1-000 | .....                     | -         | (1) | -   | -   | 2377547    | H1,L1,Q1,R1,S1,V1,W1  |  |
| 2        | 16010-ZB1-015 | GASKET SET                | 1         | -   | -   | -   | 2377548    | H1,L1,Q1,R1,S1,V1,W1  |  |
|          | 16010-ZE1-812 | .....                     | 1         | -   | -   | -   |            | VMT,VPR4  |  |
|          |               |                           |           |     |     |     |            | DS,EN,ET,ETX,HH,HHQ4,HTF2,HT2,HX,HXQ,HXU,HX2,HX26,HX4,LAJ4,LEH4,LH,LHQ4,LJ,LJC,LJD2,LJS,LJT,LSJ,LTA,LTJ,LTK1,LTR,LTS,LX,LXU,LX2,LX26,LX4,PH,PX,PX2,QA,QAA2,QA2,QA26,QBU2,QB26,QUEH,QHQ4,QH2,QH26,QJG2,QJW1,QLL,QMA4,QMA8,QME4,QMH,QMX2,QPU,QSJ,QTC2,QWA4,QX,QXC,QXC9,QXG,QXG2,QXQ,QXS,QXS2,QXU,QX2,QX26,QX4,QX7,RH,RHC,RHQ4,RX,RX4,SAD2,SAJ,SAJ4,SCJ,SG24,SH,SHQ4,SJ,SJC,SJC1,SJC5,SJD2,SKJ,SKR,SMA7,SMJ,SMW2,SM11,SM12,SM14,SN,SSK1,SSK2,SSK3,SSX2,SSX4,STP,STS,SWX2,SWX4,SX,SXS4,SX4,SX7,TH,TX,TX2,TX26,TX4,UH,UX,UXU,VA,VAX4,VED,VED1,VED6,VEE1,VET,VEX,VEX7,VH,VMS4,VS,VSX,VSX1,VS1,VX,VXU,VX4,VX7,WDA6,WDJ,WD12,WJ,WJP,WJP1,WJ1,WKD6,WKT2,WKT4,WKT6,WME2     |  |
|          | 16010-ZH7-A20 | .....                     | 1         | -   | -   | -   |            | VEK   |  |
| 3        | 16011-ZE0-005 | VALVE SET, FLOAT          | 1         | -   | -   | -   |            | DS,EN,ET,ETX,HH,HHQ4,HTF2,HT2,HX,HXQ,HXU,HX2,HX26,HX4,LAJ4,LEH4,LH,LHQ4,LJ,LJC,LJD2,LJS,LJT,LSJ,LTA,LTJ,LTK1,LTR,LTS,LX,LXU,LX2,LX26,LX4,PH,PX,PX2,QA,QAA2,QA2,QA26,QBU2,QB26,QUEH,QHQ4,QH2,QH26,QJG2,QJW1,QLL,QMA4,QMA8,QME4,QMH,QMX2,QPU,QSJ,QTC2,QWA4,QX,QXC,QXC9,QXG,QXG2,QXQ,QXS,QXS2,QXU,QX2,QX26,QX4,QX7,RH,RHC,RHQ4,RX,RX4,SAD2,SAJ,SAJ4,SCJ,SG24,SH,SHQ4,SJ,SJC,SJC1,SJC5,SJD2,SKJ,SKR,SMA7,SMJ,SMW2,SM11,SM12,SM14,SN,SSK1,SSK2,SSK3,SSX2,SSX4,STP,STS,SWX2,SWX4,SX,SXS4,SX4,SX7,TH,TX,TX2,TX26,TX4,UH,UX,UXU,VA,VAX4,VED,VED1,VED6,VEE1,VEK,VET,VEX,VEX7,VH,VMS4,VS,VSX,VSX1,VS1,VX,VXU,VX4,VX7,WDA6,WDJ,WD12,WJ,WJP,WJP1,WJ1,WKD6,WKT2,WKT4,WKT6,WME2 |  |
|          |               |                           | -         | (1) | 1   | 1   |            |   |  |



E-14-1

CARBURETOR(2)

H12



ZH70-E1401A



| Ref. No. | Part No.      | Description              | Reqd. QTY |     |     |     | Serial No. | Parts catalogue code   |
|----------|---------------|--------------------------|-----------|-----|-----|-----|------------|--|
|          |               |                          | (1)       | (2) | (3) | (4) |            |  |
| 4        | 16013-ZE0-005 | FLOAT SET .....          | 1         | -   | -   | -   | -----      | DS,EN,ET,ETX,HH,HHQ4,HTF2,HT2,HX,HXQ,HXU,HX2,HX26,HX4,LAJ4,LEH4,LH,LHQ4,LJ,LJC,LJD2,LJS,LJT,LSJ,LTA,LTJ,LTK1,LTR,LTS,LX,LXU,LX2,LX26,LX4,PH,PX,PX2,QA,QAA2,QA2,QA26,QBU2,QB26,QUEH,QHQ4,QH2,QH26,QJG2,QJW1,QLL,QMA4,QMA8,QME4,QMH,QMX2,QPU,QT,QT C2,QWA4,QX,QXC,QXC9,QXG,QXG2,QXQ,QXS,QXS2,QXU,QX2,QX26,QX4,QX7,RH,RHC,RHQ4,RX,RX4,SAD2,SAJ,SAJ4,SCJ,SG24,SH,SHQ4,SJ,SJC,SJC1,SJC5,SJD2,SKJ,SKR,SMA7,SMJ,SMW2,SM11,SM12,SM14,SN,SSK1,SSK2,SSK3,SSX2,SSX4,STP,STS,SWX2,SWX4,SX,SXS4, SX4, SX7, TH, TX, TX2, TX26, TX4, UH, UX, UXU, VA, VAX4, VED, VED1, VED6, VEE1, VEK, VET, VEX, VEX7, VH, VMS4, VMT, VPR4, VS, VSX, VSX1, VS1, VX, VXU, VX4, VX7, WDA6, WDJ, WD12, WJ, WJP, WJP1, WJ1, WKD6, WKT2, WKT4, WKT6, WME2 |
| 5        | 16015-ZE1-811 | CHAMBER SET, FLOAT ..... | 1         | (1) | 1   | -   | -----      | UIH,U1,VAX4  |
|          |               | (CARBURETOR NO.)         | 1         | (1) | -   | -   | -----      | BE12A B DS,EN,ET,ETX,HH,HHQ4,HX4,H1,LH,LHQ4,LJ,LJT,LTR,LX,LX4,L1,PH,PX,QUEH,QH,QHQ4,QLL,QMA4,QMA8,QME4,QPU,QT,QX4,Q1,RH,RHC,RHQ4,RX,RX4,R1,SAJ,SCJ,SH,SHQ4,SJ,SJC,SKJ,SMA7,SMJ,SN,SSK1,SSK3,SSX4,STP,STS,SX,SX4,S1,TH, TX4,UH,UX,VA,VED,VED1,VET,VEX,VH,VS,VSX,VSX1,VS1,VX,VX4,V1,WDJ,WJ,WJP,WJP1,W1   |
|          | ///           |                          | 1         | -   | -   | -   | -----      | BE12A A HX,QX,QXG,QXS,TX   |
|          | ///           |                          | 1         | -   | -   | -   | -----      | BE13A A QXC  |
|          | ///           |                          | 1         | -   | -   | -   | -----      | BE60A A HXQ,QXQ  |
|          | ///           |                          | 1         | -   | -   | -   | -----      | BE60B A HTF2,HX2,HX26,LX2,LX26,PX2,QAA2,QBU2,QH2,QH26,QMX2,QT C2,QXG2,QXS2,QX2,QX26,SAD2,SG24,SMW2,SSK2,TX2,TX26   |
|          | ///           |                          | 1         | -   | -   | -   | -----      | BE60C A QA2,QA26,WKT2,WME2   |
|          | ///           |                          | 1         | -   | -   | -   | -----      | BE60F A QXC9   |
|          |               |                          | -         | -   | -   | 1   |            |  |

2

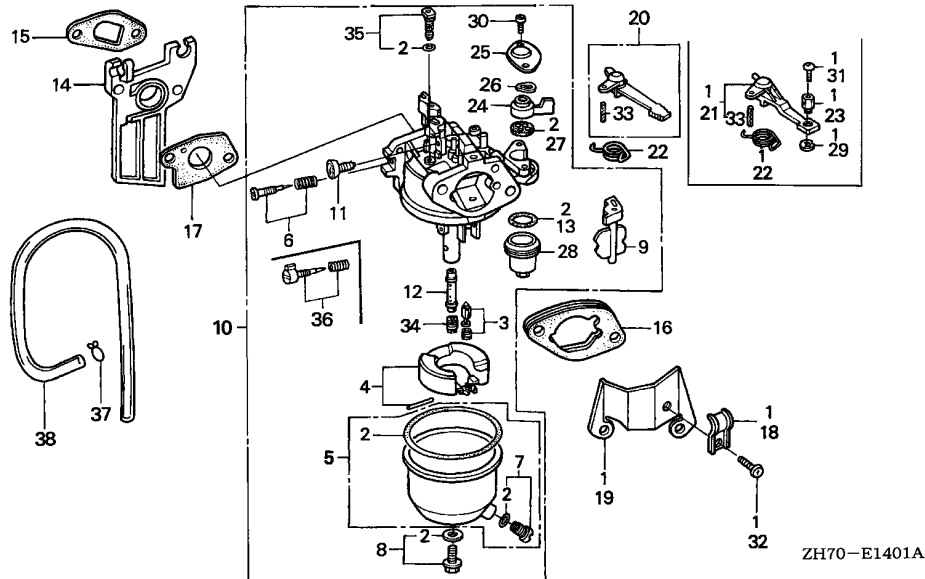
| Ref. No. | Part No.      | Description              | Reqd. QTY     |                        |     |     | Serial No. | Parts catalogue code  |  |  |
|----------|---------------|--------------------------|---------------|------------------------|-----|-----|------------|---|--|--|
|          |               |                          | (1)           | GX120K1<br>(2)         | (3) | (4) |            |   |  |  |
| (5)      | 16015-ZE0-831 | CHAMBER SET, FLOAT ..... | 1             | -                      | 1   | -   | -----      | HT2, HXU, LAJ4, LEH4, LJC, LJD2, LJS, LJT, LSJ, LTA, LTK1, LTS, LXU, QA, QB26, QIH1, QJG2, QJW1, QMH, QWA4, QXU, QX7, SAJ4, SJC1, SJC5, SJD2, SKR, SM11, SM12, SM14, SSX2, SWX2, SWX4, SXS4, SX7, UXU, VED6, VEE1, VEX7, VMS4, VMT, VPR4, VXU, VX7, WDA6, WD12, WIH1, WJ1, WKD6, WKT4, WKT6 |  |  |
|          |               | (CARBURETOR NO.)         | 1             | -                      | 1   | -   | BE12A C    | -----   | DS, EN, ET, ETX, HH, HHQ4, HX4, LH, LHQ4, LJ, LTJ, LTR, LX, LX4, PH, PX, QEH, QH, QHQ4, QLL, QMA4, QMA8, QME4, QPU, QT, QX4, RH, RHC, RHQ4, RX, RX4, SAJ, SCJ, SH, SHQ4, SJ, SJC, SKJ, SMA7, SMJ, SN, SSK1, SSK3, SSX4, STP, STS, SX, SX4, TH, TX4, UH, UIH, UX, VA, VED, VED1, VET, VEX, VH, VS, VSX, VSX1, VS1, VX, VX4, WDJ, WJ, WJP, WJP1  |  |
|          |               | //                       | 1             | -                      | -   | -   | BE12A B    | -----   | HX, QX, QXG, QXS, TX   |  |
|          |               | //                       | 1             | -                      | -   | -   | BE13A B    | -----   | QXC  |  |
|          |               | //                       | 1             | -                      | -   | -   | BE60A B    | -----   | HXQ, QXQ   |  |
|          |               | //                       | 1             | -                      | -   | -   | BE60B B    | -----   | HTF2, HX2, HX26, LX2, LX26, PX2, QAA2, QBU2, QH2, QH26, QMX2, QTC2, QXG2, QXS2, QX2, QX26, SAD2, SG24, SMW2, SSK2, TX2, TX26   |  |
|          |               | //                       | 1             | -                      | -   | -   | BE60C B    | -----   | QA2, QA26, WKT2, WME2  |  |
|          |               | //                       | 1             | -                      | -   | -   | BE60F B    | -----   | QXC9   |  |
|          |               | (CARBURETOR NO.)         | -             | (1)                    | -   | -   | -          | BE12A C   | -----  |  |
|          |               | 16015-ZH7-A21            | .....         | 1                      | -   | -   | -          | -----   | VEK  |  |
| 6        | 16016-ZE0-005 | SCREW SET, PILOT .....   | 1             | -                      | -   | -   | -----      | EN, ET, ETX, HH, LJC, LTA, LTK1, QA, QLL, QME4, QT, QXG, QXS, RH, RHC, SN, STP, STS, VA, VAX4, VEK, VH, VMT, VPR4, VSX, VSX1, VS1   |  |  |
|          |               | (CARBURETOR NO.)         | 1             | -                      | -   | -   | BE60M A    | -----   | QB26   |  |
|          |               | //                       | 1             | -                      | -   | -   | BE12A B    | -----   | QXC  |  |
|          |               | //                       | 1             | -                      | -   | -   | BE12A C    | -----   | HHQ4, HX, HXU, HX4, LAJ4, LEH4, LH, LHQ4, LJT, LX, LXU, LX4, PH, PX, QEH, QH, QHQ4, QJW1, QMA4, QMA8, QMH, QPU, QX, QXU, QX4, RHQ4, RX, RX4, SAJ4, SH, SHQ4, SMA7, SMJ, SSK1, SSK3, SSX4, SX, SX4, TH, TX, TX4, UH, UX, UXU, VEX, VMS4, VS, VX, VXU, VX4   |  |
|          |               | //                       | 1             | -                      | -   | -   | BE60K A    | -----   | WJ1  |  |
|          |               | //                       | 1             | -                      | -   | -   | BE60L A    | -----   | DS, LJ, LSJ, LTJ, LTR, SAJ, SCJ, SJ, SJC, SJC1, SJC5, SKJ, SKR, VED, VED1, VEE1, VET, WDJ, WJ, WJP, WJP1   |  |
|          |               | (CARBURETOR NO.)         | -             | (1)                    | 1   | -   | -          | BE12A C   | -----  |  |
|          |               | 7                        | 16024-ZE1-811 | SCREW SET, DRAIN ..... | 1   | -   | -          | -----   | DS, EN, ET, ETX, HH, HHQ4, HTF2, HT2, HX, HXQ, HXU, HX2, HX26, HX4, LAJ4, LEH4, LH, LHQ4, LJ, LJC, LJD2, LJS, LJT, LSJ, LTA, LTJ, LTK1, LTR, LTS, LX, LXU, LX2, LX26, LX4, PH, PX, PX2, QA, QAA2, QA2, QA26, QBU2, QB26, QEH, QH, QHQ4, QH2, QH26, QJG2, QJW1, QLL, QMA4, QMA8, QME4, QMH, QMX2, QPU, QSJ, QT, QTC2, QWA4, QX, QXC, QXC9, QXG, QXG2, QXQ, QXS, QXS2, QXU, QX2, QX26, QX4, QX7, RH, RHC, RHQ4, RX, RX4, SAD2, SAJ, SAJ4, SCJ, SG24, SH, SHQ4, SJ, SJC, SJC1, SJC5, SJD2, SKJ, SKR, SMA7, SMJ, SMW2, SM11, SM12, SM14, SN, SSK1, SSK2, SSK3, SSX2, SSX4, STP, STS, SWX2, SWX4, SX, SXS4, SX4, SX7, TH, TX, TX2, TX26, TX4, UH, UX, UXU, VA, VAX4, VED, VED1, VED6, VEE1, VET, VEX, VEX7, VH, VMS4, VMT, VPR4, VS, VSX, VSX1, VS1, VX, VXU, VX4, VX7, WDA6, WDJ, WD12, WJ, WJP, WJP1, WJ1, WKD6, WKT2, WKT4, WKT6, WME2 |  |
|          |               | 16024-ZH7-A20            | .....         | 1                      | -   | -   | -          | -----   | VEK  |  |
|          |               | 8                        | 16028-ZE0-005 | SCREW SET .....        | 1   | -   | -          | -----   | DS, EN, ET, ETX, HH, HHQ4, HTF2, HT2, HX, HXQ, HXU, HX2, HX26, HX4, LAJ4, LEH4, LH, LHQ4, LJ, LJC, LJD2, LJS, LJT, LSJ, LTA, LTJ, LTK1, LTR, LTS, LX, LXU, LX2, LX26, LX4, PH, PX, PX2, QA, QAA2, QA2, QA26, QBU2, QB26, QEH, QH, QHQ4, QH2, QH26, QJG2, QJW1, QLL, QMA4, QMA8, QME4, QMH, QMX2, QPU, QSJ, QT, QTC2, QWA4, QX, QXC, QXC9, QXG, QXG2, QXQ, QXS, QXS2, QXU, QX2, QX26, QX4, QX7, RH, RHC, RHQ4, RX, RX4, SAD2, SAJ, SAJ4, SCJ, SG24, SH, SHQ4, SJ, SJC, SJC1, SJC5, SJD2, SKJ, SKR, SMA7, SMJ, SMW2, SM11, SM12, SM14, SN, SSK1, SSK2, SSK3, SSX2, SSX4, STP, STS, SWX2, SWX4, SX, SXS4, SX4, SX7, TH, TX, TX2, TX26, TX4, UH, UX, UXU, VA, VAX4, VED, VED1, VED6, VEE1, VET, VEX, VEX7, VH, VMS4, VMT, VPR4, VS, VSX, VSX1, VS1, VX, VXU, VX4, VX7, WDA6, WDJ, WD12, WJ, WJP, WJP1, WJ1, WKD6, WKT2, WKT4, WKT6, WME2 |  |
|          |               | -                        | (1)           | 1                      | 1   | -   | -          |   |  |  |



E-14-1

CARBURETOR(2)

H14



| Ref. No. | Part No.      | Description                   | Reqd. QTY |     |     |     | Serial No.    | Parts catalogue code   |
|----------|---------------|-------------------------------|-----------|-----|-----|-----|---------------|--|
|          |               |                               | (1)       | (2) | (3) | (4) |               |  |
| 9        | 16044-ZE0-005 | CHOKE SET .....               | 1         | -   | 1   | -   | -----         | HHQ4,HTF2,HT2,HXQ,HXU,HX2,HX26,HX4,LAJ4,LEH4,LHQ4,LJC,LJD2,LJS<br>LJT,LSJ,LTA,LTk1,LTR,LTS,LXU,LX2,LX26,LX4,PX2,QAA2,QA2,QA26<br>QBU2,QB26,QHQ4,QH2,QH26,QIH1,QJG2,QJW1,QLL,QMA4,QMA8,QME4,QMH<br>QMX2,QSJ,QTC2,QWA4,QXC9,QXG2,QXQ,QXS2,QXU,QX2,QX26,QX4,QX7<br>RHQ4,RX4,SAD2,SAJ,SAJ4,SCJ,SG24,SHQ4,SJC,SJC1,SJC5,SJD2,SKR<br>SMA7,SMW2,SM11,SM12,SM14,SSK1,SSK2,SSK3,SSX2,SSX4,STP,SWX2<br>SWX4,SXS4,SX4,SX7,TX2,TX26,TX4,UXU,VAX4,VED6,VEE1,VEK,VEX7<br>VMS4,VMT,VPR4,VXU,VX4,VX7,WDA6,WDJ,WD12,WIH1,WJP,WJP1,WJ1,WKD6<br>WKT2,WKT4,WKT6,WME2 |
|          |               | (CARBURETOR NO.)              | 1         | -   | 1   | -   | BE12A B ----- | DS,EN,ET,ETX,HH,HX,LH,LJ,LTJ,LX,PH,PX,QEH,QH,QPU,QT,QX,QXG,QXS<br>RH,RHC,RX,SH,SJ,SKJ,SMJ,SN,SX,TH,TX,UH,UIH,UX,VA,VED,VED1,VET<br>VEX,VH,VS,VSX,VSX1,VS1,VX,WJ  |
|          |               | //                            | 1         | -   | -   | -   | BE13A B ----- | QXC  |
|          |               | //                            | -         | (1) | -   | -   | BE12A B ----- |  |
| 10       | 16100-ZH7-V90 | CARBURETOR ASSY. (BE12K A) .. | 1         | -   | -   | -   | 2733193       | LTA  |
|          | 16100-ZH7-W02 | CARBURETOR ASSY. (BE60A A) .. | 1         | -   | -   | -   | 2724100       | HXQ,QXQ  |
|          | 16100-ZH7-W50 | CARBURETOR ASSY. (BE60B A) .. | 1         | -   | -   | -   | 2728507       | HTF2,HX2,LX2,FX2,QAA2,QH2,QMX2,QXG2,QXS2,QX2,SMW2,SSK2,TX2   |
|          | 16100-ZH7-800 | CARBURETOR ASSY. (BE13A A) .. | 1         | (1) | -   | -   | 2724424       | H1,L1,QXC,Q1,R1,S1,V1,W1   |
|          |               |                               | 1         | -   | -   | -   | 2733193       | STS  |
|          |               |                               | -         | (1) | -   | -   | -----         | U1   |
|          | 16100-ZH7-801 | CARBURETOR ASSY. (BE13A B) .. | 1         | -   | -   | -   | 2724425       | 3491424 QXC  |
|          | 16100-ZH7-820 | CARBURETOR ASSY. (BE12A A) .. | 1         | -   | -   | -   | 2354880       | DS,EN,ET,ETX,HH,HX,LH,LJ,LTJ,LX,PH,PX,QEH,QH,QPU,QT,QX,QXG,QXS<br>RH,RHC,RX,SH,SJ,SKJ,SMJ,SN,SX,TH,TX,UH,UX,VA,VED,VED1,VET<br>VH,VS,VSX,VSX1,VS1,VX,WJ  |
|          |               |                               | -         | (1) | -   | -   | 2354880       |  |
|          |               |                               | -         | -   | 1   | -   | -----         | UIH  |
|          |               |                               | -         | -   | -   | 1   |               |  |

E-14-1

CARBURETOR(2)



| Ref. No. | Part No.      | Description                   | Reqd. QTY |                |     |     | Serial No.      | Parts catalogue code  |
|----------|---------------|-------------------------------|-----------|----------------|-----|-----|-----------------|---|
|          |               |                               | (1)       | GX120K1<br>(2) | (3) | (4) |                 |   |
| 10)      | 16100-ZH7-821 | CARBURETOR ASSY. (BE12A B) .. | 1         | (1)            | -   | -   | 2354881 2724891 | DS,EN,ET,ETX,HH,HX,H1,LH,LJ,LTJ,LX,L1,PH,PX,QEH,QH,QPU,QT,QX,QXG,QXS,Q1,RH,RHC,RX,R1,SH,SJ,SKJ,SMJ,SN,SX,S1,TH,TX,UH,UX,VA,VED,VED1,VET,VEX,VH,VS,VSX,VSX1,VS1,VX,V1,WJ,W1                              |
|          |               |                               | 1         | -              | -   | -   | 2724891         | HHQ4,HX4,LHQ4,LX4,QHQ4,QLL,QMA4,QMA8,QME4,QX4,RHQ4,RX4,SAJ,SCJ,SHQ4,SJC,SMA7,SSK1,SSK3,SSX4,STP,SX4,TX4,VAX4,VX4,WDJ,WJP  |
|          |               |                               | -         | (1)            | -   | -   | 2354881         | U1  |
|          |               |                               | -         | -              | 1   | -   |                 | UIH   |
|          | 16100-ZH7-822 | CARBURETOR ASSY. (BE12A C) .. | 1         | (1)            | -   | -   | 2724892         | HH,H1,L1,QLL,QXG,QXS,Q1,RH,RHC,R1,STP,S1,VA,VAX4,VH,VSX,VSX1,VS1,V1,W1  |
|          |               |                               | 1         | -              | -   | -   | 3056056         | LSJ,LTR,QSJ,SJC1,SJC5,VEE1,WJP1   |
|          |               |                               | 1         | -              | -   | -   | 3491424         | HXU,LAJ4,LEH4,LJT,LXU,QJW1,QMH,QXU,SAJ4,UXU,VMS4,VXU  |
|          |               |                               | 1         | -              | -   | -   | 2724892         | DS,EN,ET,ETX,LJ,LTJ,QME4,QT,SAJ,SCJ,SJ,SJC,SN,VED,VED1,VET,WDJ,WJ,WJP   |
|          |               |                               | 1         | -              | -   | -   | 2724892         | 3491424 HHQ4,HX,HX4,LH,LHQ4,LX,LX4,PH,PX,QEH,QH,QHQ4,QMA4,QMA8,QPU,QX,QX4,RHQ4,RX,RX4,SH,SHQ4,SMA7,SMJ,SSK1,SSK3,SSX4,SX,SX4,TH,TX,TX4,UH,UX,VEX,VS,VX,VX4  |
|          |               |                               | -         | -              | 1   | -   |                 | UIH   |
|          | 16100-ZH7-830 | CARBURETOR ASSY. (BE12C A) .. | 1         | (1)            | -   | -   | 2743606         | H1,L1,QA,Q1,R1,S1,V1,W1   |
|          |               |                               | -         | (1)            | -   | -   |                 | U1  |
|          | 16100-ZH7-831 | CARBURETOR ASSY. (BE12C B) .. | 1         | (1)            | -   | -   | 2743607         | H1,L1,QA,Q1,R1,S1,V1,W1   |
|          | 16100-ZH7-V21 | CARBURETOR ASSY. (BE60F B) .. | 1         | -              | -   | -   | 3491425         | QXC   |
|          | 16100-ZH7-V91 | CARBURETOR ASSY. (BE12K B) .. | 1         | -              | -   | -   | 2733194         | LTA   |
|          | 16100-ZH7-W03 | CARBURETOR ASSY. (BE60A B) .. | 1         | -              | -   | -   | 2724101         | HXQ,QXQ   |
|          | 16100-ZH7-W50 | CARBURETOR ASSY. (BE60B A) .. | 1         | -              | -   | -   | 2728507         | HX26,LX26,QBU2,QH26,QTC2,QX26,SAD2,SG24,TX26  |
|          | 16100-ZH7-W51 | CARBURETOR ASSY. (BE60B B) .. | 1         | -              | -   | -   |                 | HT2,LJD2,LTS,QJG2,QWA4,QX7,SJD2,SM11,SM12,SM14,SSX2,SWX2,SWX4,SXS4, SX7,VEX7,VX7,WDA6   |
|          |               |                               | 1         | -              | -   | -   | 2728508         | HTF2,HX2,HX26,LX2,LX26,PX2,QAA2,QBU2,QH2,QH26,QMX2,QTC2,QXG2,QXS2,QX2,QX26,SAD2,SG24,SMW2,SSK2,TX2,TX26   |
|          |               |                               | 1         | -              | -   | -   | 3093871         | VEE1  |
|          |               |                               | 1         | -              | -   | -   | 3491425         | HHQ4,HX,HXU,HX4,LAJ4,LEH4,LH,LHQ4,LJT,LX,LXU,LX4,PH,PX,QEH,QH,QHQ4,QJW1,QMA4,QMA8,QMH,QPU,QX,QXU,QX4,RHQ4,RX,RX4,SAJ4,SH,SHQ4,SMA7,SMJ,SSK1,SSK3,SSX4,SX,SX4,TH,TX,TX4,UH,UX,UXU,VEX,VMS4,VS,VX,VXU,VX4 |
|          |               |                               | 1         | -              | -   | -   | 3558049         | LTJ   |
|          |               |                               | 1         | -              | -   | -   | 3230227         | QB26  |
|          | 16100-ZH7-W60 | CARBURETOR ASSY. (BE60C A) .. | 1         | -              | -   | -   | 2737528         | QA2,QA26,WKT2,WME2  |
|          | 16100-ZH7-801 | CARBURETOR ASSY. (BE13A B) .. | 1         | -              | -   | -   | 2733194         | STS   |
|          |               |                               | -         | (1)            | -   | -   | 2724425         | H1,L1,Q1,R1,S1,V1,W1  |
|          | 16100-ZH7-V20 | CARBURETOR ASSY. (BE60F A) .. | 1         | -              | -   | -   | 2724100         | QXC9  |
|          | 16100-ZH7-W61 | CARBURETOR ASSY. (BE60C B) .. | 1         | -              | -   | -   |                 | LJS,VED6,WD12,WKD6,WKT4,WKT6  |
|          |               |                               | 1         | -              | -   | -   | 2737529         | QA2,QA26,WKT2,WME2  |
|          |               |                               | 1         | -              | -   | -   | 3491425         | DS,LJ,LSJ,LTR,SAJ,SCJ,SJ,SJC,SJC1,SJC5,SKJ,SKR,VED,VED1,VET,WDJ,WJ,WJP,WJP1,WJ1   |
|          | 16100-ZH7-841 | CARBURETOR ASSY. (BE60L A) .. | 1         | -              | -   | -   | 3491425         | LTJ   |
|          |               |                               | 1         | -              | -   | -   |                 | LJC,LTK1  |
|          |               |                               | 1         | -              | -   | -   | 3056057         | EN,ET,ETX,QME4,QSJ,QT,SN  |
|          |               |                               | 1         | -              | -   | -   | 3491424         | SKR   |
|          |               |                               | 1         | -              | -   | -   | 3056057         | VEE1  |
|          |               |                               | 1         | -              | -   | -   | 3056057         | 3491424 DS,LJ,LSJ,LTJ,LTR,SAJ,SCJ,SJ,SJC,SJC1,SJC5,SKJ,VED,VED1,VET,WDJ,WJ,WJP,WJP1   |
|          |               |                               | -         | -              | 1   | -   |                 |   |
|          | 16100-ZH7-V21 | CARBURETOR ASSY. (BE60F B) .. | 1         | -              | -   | -   | 2724101         | QXC9  |
|          | 16100-ZK7-U51 | CARBURETOR ASSY. (BE60M A) .. | 1         | -              | -   | -   |                 | 3230226 QB26  |
|          | 16100-ZK7-811 | CARBURETOR ASSY. (BE60K A) .. | 1         | -              | -   | -   |                 | 3491424 WJ1   |
|          | 16100-ZH7-T01 | CARBURETOR ASSY. (BE12H B) .. | 1         | -              | -   | -   |                 | VEK   |
|          | 16100-ZK7-U51 | CARBURETOR ASSY. (BE60M A) .. | 1         | -              | -   | -   | 3323433         | QB26  |

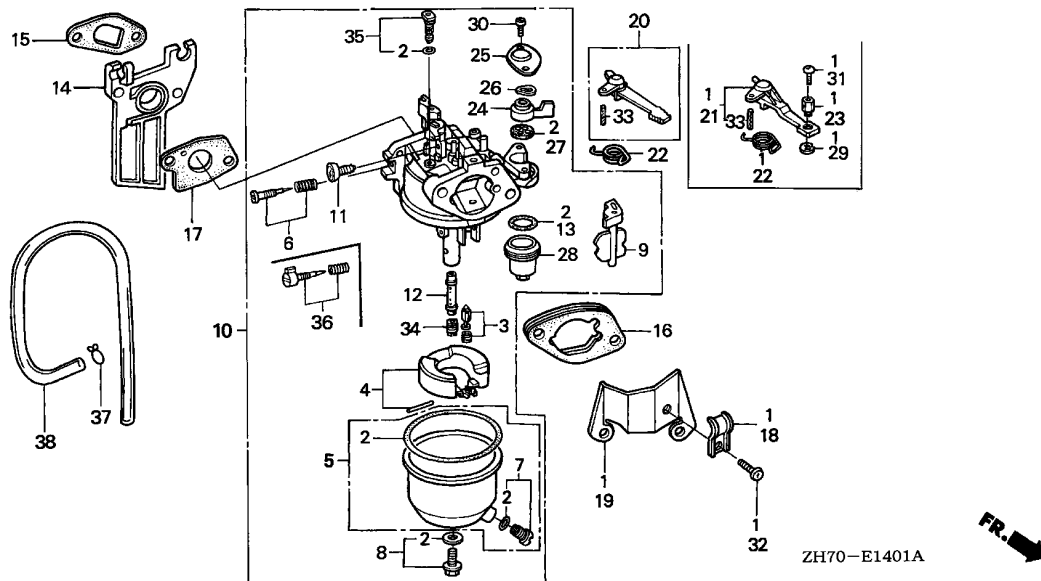




E-14-1

CARBURETOR(2)

H16

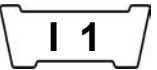


ZH70-E1401A

| Ref. No. | Part No.      | Description                   | Reqd. QTY |     |     |     | Serial No. | Parts catalogue code   |
|----------|---------------|-------------------------------|-----------|-----|-----|-----|------------|--|
|          |               |                               | (1)       | (2) | (3) | (4) |            |  |
| 10)      | 16100-ZK7-U11 | CARBURETOR ASSY. (BE28B A) .. | 1         | -   | -   | -   | -----      | VMT,VPR4   |
| 11       | 16124-ZE0-005 | SCREW, THROTTLE STOP .....    | 1         | -   | -   | -   | -----      | DS,EN,ET,ETX,HH,HHQ4,HTF2,HT2,HX,HXQ,HXU,HX2,HX26,HX4,LAJ4,LEH4,LH,LHQ4,LJ,LJC,LJD2,LJS,LJT,LSJ,LTA,LTJ,LTK1,LTR,LTS,LX,LXU,LX2,LX26,LX4,PH,PX,PX2,QA,QAA2,QA2,QA26,QBU2,QB26,QUEH,QHQ4,QH2,QH26,QJG2,QJW1,QLL,QMA4,QMA8,QME4,QMH,QMX2,QPU,QSJ,QT,QTC2,QWA4,QX,QXC,QXC9,QXG,QXG2,QXQ,QXS,QXS2,QXU,QX2,QX26,QX4,QX7,RH,RHC,RHQ4,RX,RX4,SAD2,SAJ,SAJ4,SCJ,SG24,SH,SHQ4,SJ,SJCSJC1,SJC5,SJD2,SKJ,SKR,SMA7,SMJ,SMW2,SM11,SM12,SM14,SN,SSK1,SSK2,SSK3,SSX2,SSX4,STP,STS,SWX2,SWX4,SX,SXS4,SX4,SX7,TH,TX,TX2,TX26,TX4,UH,UX,UXU,VA,VAX4,VED,VED1,VED6,VEE1,VEK,VET,VEX,VEX7,VH,VMS4,VMT,VPR4,VS,VSX,VSX1,VS1,VX,VXU,VX4,VX7,WDA6,WDJ,WD12,WJ,WJP,WJP1,WJ1,WKD6,WKT2,WKT4,WKT6,WME2 |
| 12       | 16166-ZH7-800 | NOZZLE, MAIN .....            | 1         | -   | 1   | -   | -----      | STS  |
|          |               | (CARBURETOR NO.)              | 1         | -   | -   | -   | -----      | BE13A B QXC  |
|          | 16166-ZH7-820 | .....                         | -         | (1) | -   | -   | -----      |  |
|          |               | (CARBURETOR NO.)              | 1         | -   | 1   | -   | -----      | BE12A A DS,EN,ET,ETX,HH,HX,LH,LJ,LTJ,LX,PH,PX,QUEH,QH,QPU,QT,QX,QXG,QXS,RH,RHC,RX,SH,SJ,SKJ,SMJ,SN,SX,TH,TX,UH,UIH,UX,VA,VED,VED1,VET,VEX,VH,VS,VSX,VSX1,VS1,VX,WJ   |
|          |               | (CARBURETOR NO.)              | 1         | -   | -   | -   | -----      | LTA,QA,VEK   |
|          |               | (CARBURETOR NO.)              | -         | (1) | -   | -   | -----      |  |
|          |               | (CARBURETOR NO.)              | -         | -   | 1   | -   | -----      | BE12A A  |
|          | 16166-ZH7-V20 | .....                         | 1         | -   | -   | -   | -----      | QXC9   |
|          |               | (CARBURETOR NO.)              | 1         | -   | -   | -   | -----      | BE60F B QXC  |
|          | 16166-ZH7-W00 | .....                         | 1         | -   | -   | -   | -----      | HXQ,QXQ  |

E-14-1

CARBURETOR(2)

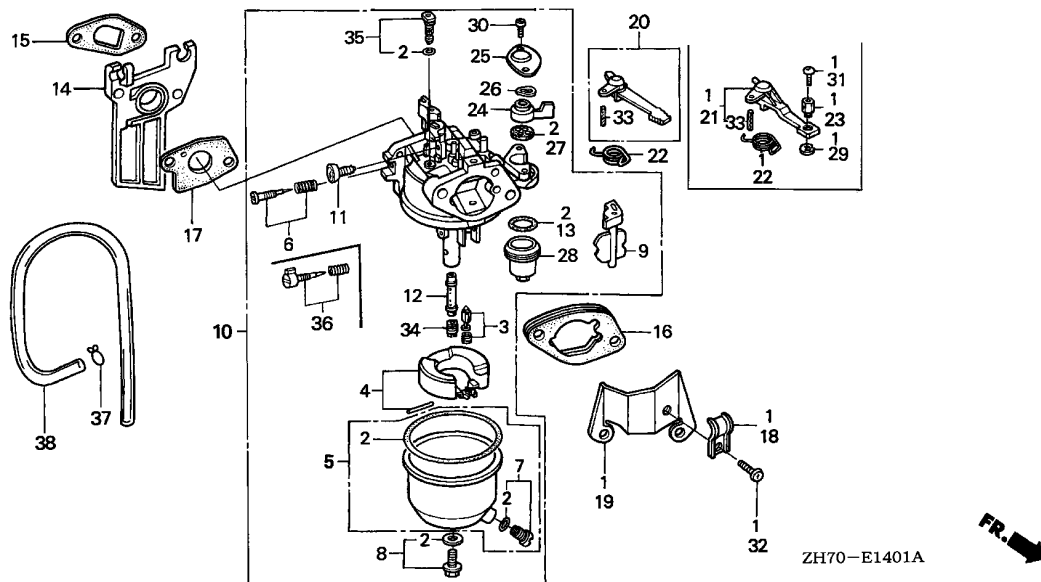


| Ref. No. | Part No.      | Description                   | Reqd. QTY |                |     |     | Serial No.    | Parts catalogue code  |
|----------|---------------|-------------------------------|-----------|----------------|-----|-----|---------------|---|
|          |               |                               | (1)       | GX120K1<br>(2) | (3) | (4) |               |   |
| 12)      | 16166-ZH7-W50 | NOZZLE, MAIN .....            | 1         | -              | 1   | -   | -----         | HHQ4,HTF2,HT2,HXU,HX2,HX26,HX4,LAJ4,LEH4,LHQ4,LJC,LJD2,LJS,LJT<br>LSJ, LTK1, LTR, LTS, LXU, LX2, LX26, LX4, PX2, QAA2, QA2, QA26, QBU2, QB26<br>QHQ4, QH2, QH26, QIH1, QJG2, QJW1, QLL, QMA4, QMA8, QME4, QMH, QMX2, QSJ<br>QTC2, QWA4, QXG2, QXS2, QXU, QX2, QX26, QX4, QX7, RHQ4, RX4, SAD2, SAJ<br>SAJ4, SCJ, SG24, SHQ4, SJC, SJC1, SJC5, SJD2, SKR, SMA7, SMW2, SM11, SM12<br>SM14, SSK1, SSK2, SSK3, SSX2, SSX4, STP, SWX2, SWX4, SXS4, SX4, SX7, TX2<br>TX26, TX4, UXU, VAX4, VED6, VEE1, VEX7, VMS4, VMT, VPR4, VXU, VX4, VX7<br>WDA6, WDJ, WD12, WIH1, WJP, WJP1, WJ1, WKD6, WKT2, WKT4, WKT6, WME2<br>DS, EN, ET, ETX, HH, HX, LH, LJ, LTJ, LX, PH, PX, QEH, QH, QPU, QT, QX, QXG, QXS<br>RH, RHC, RX, SH, SJ, SKJ, SMJ, SN, SX, TH, TX, UH, UIH, UX, VA, VED, VED1, VET<br>VEX, VH, VS, VSX, VSX1, VS1, VX, WJ   |
|          |               | (CARBURETOR NO.)              | 1         | -              | 1   | -   | BE12A B ----- |   |
| 13       | 16173-001-004 | PACKING, FUEL STRAINER CUP .. | 1         | (1)            | -   | 1   | BE12A B ----- | DS, EN, ET, ETX, HH, HHQ4, HTF2, HT2, HX, HXQ, HXU, HX2, HX26, HX4, LAJ4<br>LEH4, LH, LHQ4, LJ, LJC, LJD2, LJS, LJT, LSJ, LTA, LTJ, LTK1, LTR, LTS, LX<br>LXU, LX2, LX26, LX4, PH, PX, PX2, QA, QAA2, QA2, QA26, QBU2, QB26, QEH, QH<br>QHQ4, QH2, QH26, QJG2, QJW1, QLL, QMA4, QMA8, QME4, QMH, QMX2, QPU, QSJ, QT<br>QTC2, QWA4, QX, QXC, QXC9, QXG, QXG2, QXQ, QXS, QXS2, QXU, QX2, QX26, QX4<br>QX7, RH, RHC, RHQ4, RX, RX4, SAD2, SAJ, SAJ4, SCJ, SG24, SH, SHQ4, SJ, SJC<br>SJC1, SJC5, SJD2, SKJ, SKR, SMA7, SMJ, SMW2, SM11, SM12, SM14, SN, SSK1<br>SSK2, SSK3, SSX2, SSX4, STP, STS, SWX2, SWX4, SX, SXS4, SX4, SX7, TH, TX<br>TX2, TX26, TX4, UH, UX, UXU, VA, VAX4, VED, VED1, VED6, VEE1, VEK, VET, VEX<br>VEX7, VH, VMS4, VS, VSX, VSX1, VS1, VX, VXU, VX4, VX7, WDA6, WDJ, WD12, WJ<br>WJP, WJP1, WJ1, WKD6, WKT2, WKT4, WKT6, WME2                    |
| 14       | 16211-ZE0-000 | INSULATOR, CARBURETOR .....   | 1         | (1)            | 1   | 1   | -----         | DS, EN, ET, ETX, HH, HHQ4, HTF2, HT2, HX, HXQ, HXU, HX2, HX26, HX4, LAJ4<br>LEH4, LH, LHQ4, LJ, LJC, LJD2, LJS, LJT, LSJ, LTA, LTJ, LTK1, LTR, LTS, LX<br>LXU, LX2, LX26, LX4, PH, PX, PX2, QA, QAA2, QA2, QA26, QBU2, QB26, QEH, QH<br>QHQ4, QH2, QH26, QJG2, QJW1, QLL, QMA4, QMA8, QME4, QMH, QMX2, QPU, QSJ, QT<br>QTC2, QWA4, QX, QXC, QXC9, QXG, QXG2, QXQ, QXS, QXS2, QXU, QX2, QX26, QX4<br>QX7, RH, RHC, RHQ4, RX, RX4, SAD2, SAJ, SAJ4, SCJ, SG24, SH, SHQ4, SJ, SJC<br>SJC1, SJC5, SJD2, SKJ, SKR, SMA7, SMJ, SMW2, SM11, SM12, SM14, SN, SSK1<br>SSK2, SSK3, SSX2, SSX4, STP, STS, SWX2, SWX4, SX, SXS4, SX4, SX7, TH, TX<br>TX2, TX26, TX4, UH, UX, UXU, VA, VAX4, VED, VED1, VED6, VEE1, VEK, VET, VEX<br>VEX7, VH, VMS4, VMT, VPR4, VS, VSX, VSX1, VS1, VX, VXU, VX4, VX7, WDA6, WDJ<br>WD12, WJ, WJP, WJP1, WJ1, WKD6, WKT2, WKT4, WKT6, WME2         |
| 15       | 16212-ZH7-000 | PACKING, INSULATOR .....      | 1         | -              | -   | -   | -----         | 2272434 DS, EN, ET, ETX, LJ, LTA, QT, SJ, SKJ, SMJ, SN, STS, VET, WJ  |
|          | 16212-ZH7-800 | .....                         | 1         | (1)            | -   | -   | -----         | 2272434 HH, HHQ4, HTF2, HT2, HX, HXQ, HXU, HX2, HX26, HX4, LAJ4, LEH4, LH, LHQ4, LJC<br>LJD2, LJS, LJT, LSJ, LTJ, LTK1, LTR, LTS, LX, LXU, LX2, LX26, LX4, PH, PX<br>PX2, QA, QAA2, QA2, QA26, QBU2, QB26, QEH, QH, QHQ4, QH2, QH26, QJG2, QJW1<br>QLL, QMA4, QMA8, QME4, QMH, QMX2, QPU, QSJ, QTC2, QWA4, QX, QXC, QXC9, QXG<br>QXG2, QXQ, QXS, QXS2, QXU, QX2, QX26, QX4, QX7, RH, RHC, RHQ4, RX, RX4, SAD2<br>SAJ, SAJ4, SCJ, SG24, SH, SHQ4, SJC, SJC1, SJC5, SJD2, SKR, SMA7, SMW2<br>SM11, SM12, SM14, SSK1, SSK2, SSK3, SSX2, SSX4, STP, SWX2, SWX4, SX, SXS4<br>SX4, SX7, TH, TX, TX2, TX26, TX4, UH, UX, UXU, VA, VAX4, VED, VED1, VED6<br>VEE1, VEK, VEX, VEX7, VH, VMS4, VMT, VPR4, VS, VSX, VSX1, VS1, VX, VXU, VX4<br>VX7, WDA6, WDJ, WD12, WJP, WJP1, WJ1, WKD6, WKT2, WKT4, WKT6, WME2<br>DS, EN, ET, ETX, LJ, LTA, QT, SJ, SKJ, SMJ, SN, STS, VET, WJ |
| 16       | 16220-ZE1-004 | SPACER COMP., CARBURETOR .... | -         | -              | 1   | -   | -----         |   |



E-14-1

CARBURETOR(2)



| Ref. No. | Part No.      | Description              | Reqd. QTY |     |     |         | Serial No. | Parts catalogue code   |
|----------|---------------|--------------------------|-----------|-----|-----|---------|------------|--|
|          |               |                          | (1)       | (2) | (3) | (4)     |            |  |
| 16)      | 16220-ZE1-020 | SPACER COMP., CARBURETOR | 1         | -   | 1   | -       | -----      | DS,EN,ET,ETX,HH,HHQ4,HTF2,HT2,HX,HXQ,HXU,HX2,HX26,HX4,LAJ4,LEH4,LH,LHQ4,LJ,LJC,LJD2,LJS,LJT,LSJ,LTA,LTJ,LTK1,LTR,LTS,LX,LXU,LX2,LX26,LX4,PH,PX,PX2,QA,QAA2,QA2,QA26,QBU2,QB26,QEH,QH,QHQ4,QH2,QH26,QJG2,QJW1,QLL,QMA4,QMA8,QME4,QMH,QMX2,QPU,QSJ,QT,QT C2,QWA4,QX,QXC,QXC9,QXG,QXG2,QXQ,QXS,QXS2,QXU,QX2,QX26,QX4,QX7,RH,RHC,RHQ4,RX,RX4,SAD2,SAJ,SAJ4,SCJ,SG24,SH,SHQ4,SJ,SJC,SJC1,SJC5,SJD2,SKJ,SKR,SMA7,SMJ,SMW2,SM11,SM12,SM14,SN,SSK1,SSK2,SSK3,SSX2,SSX4,STP,STS,SWX2,SWX4,SX,SXS4, SX4, SX7, TH, TX, TX2, TX26, TX4, UH, UIH, UX, UXU, VA, VAX4, VED, VED1, VED6, VEE1, VEK, VET, VEX, VEX7, VH, VMS4, VS, VSX, VSX1, VS1, VX, VXU, VX4, VX7, WDA6, WDJ, WD12, WIH1, WJ, WJP, WJP1, WJ1, WKD6, WKT2, WKT4, WKT6, WME2 |
| 17       | 16221-ZE0-000 | PACKING, CARBURETOR      | 1         | -   | -   | -       | -----      | QA, QXC  |
|          | 16221-ZE1-000 | .....                    | 1         | -   | 1   | -       | -----      | HH, HX, HXU, LH, LX, LXU, PH, PX, QEH, QH, QX, QXU, RH, RX, SH, SX, TH, UH, UIH, UX, UXU, VA, VH, VS, VSX, VXU   |
|          |               |                          | 1         | -   | -   | -       | 2272434    | DS, EN, ET, ETX, LJ, LTA, QT, SJ, SKJ, SMJ, SN, STS, VET, WJ   |
|          |               |                          | 1         | -   | -   | -       | 2533057    | VED, VED1  |
|          |               |                          | -         | (1) | -   | -       | 2272434    |  |
|          | 16221-ZH8-800 | .....                    | 1         | (1) | 1   | -       | -----      | 2533057 H1, L1, QA, QLL, QPU, Q1, RHC, R1, S1, UIH, VEX, VSX1, VS1, V1, W1   |
|          |               |                          | 1         | -   | -   | -       | -----      | 2386441 QHQ4, SHQ4   |
|          |               |                          | 1         | -   | -   | -       | -----      | 2534176 LTJ, LX, PH, PX, RX, SCJ, SSK1, SX, TH, UH, UX, VH, VX, WJP  |
|          |               |                          | 1         | -   | -   | -       | -----      | 2539585 HXQ, HX2, LX2, QAA2, QA2, QH2, QXG2, QXQ, QXS2, QX2, TX2   |
|          |               |                          | 1         | -   | -   | -       | -----      | 2541043 HHQ4, HX4, LHQ4, LX4, QX4, RHQ4, RX4, SX4, TX4, VX4  |
|          |               |                          | 1         | -   | -   | -       | -----      | 2541695 HX, QX, QXG, QXS, TX   |
|          |               |                          | 1         | -   | -   | 2272435 | -----      | 2533057 EN, ET, ETX, QT, SN  |
|          |               |                          | 1         | -   | -   | 2272435 | -----      | 2534176 DS, LJ, LTA, SJ, SKJ, SMJ, STS, VET, WJ  |
|          |               |                          | -         | (1) | -   | -       | -----      | U1   |
|          |               |                          | -         | -   | -   | 1       | -----      | 2533057  |

E-14-1

CARBURETOR(2)

I 3

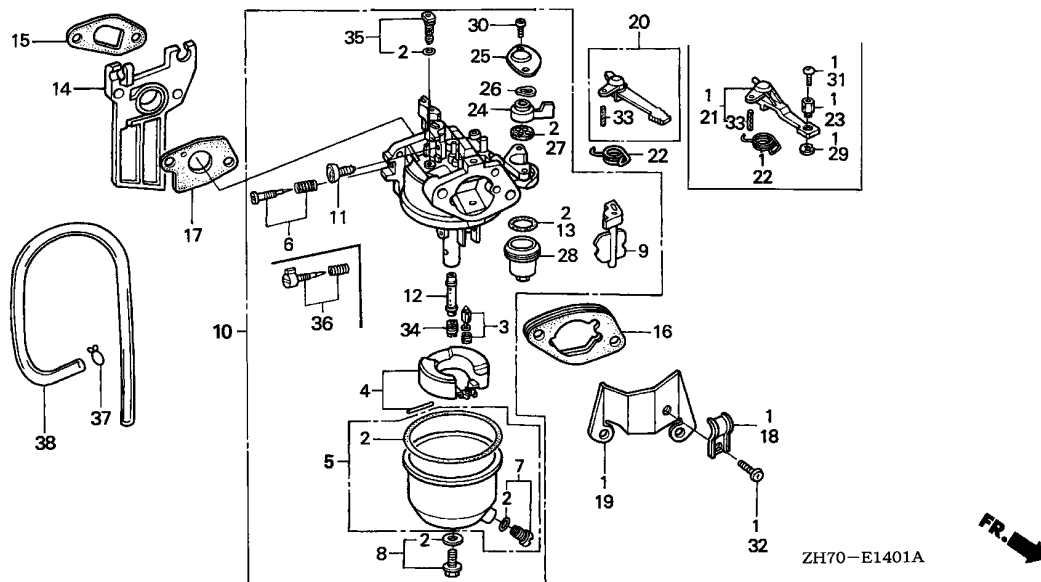
| Ref. No. | Part No.      | Description                    | Reqd. QTY |     |     | Serial No. | Parts catalogue code   |
|----------|---------------|--------------------------------|-----------|-----|-----|------------|--|
|          |               |                                | (1)       | (2) | (3) |            |  |
| 17)      | 16221-ZH8-801 | PACKING, CARBURETOR .....      | 1         | (1) | 1   | -          | 2533058 ----- EN,ET,ETX,H1,L1,QA,QLL,QPU,QT,Q1,RHC,R1,SN,S1,UIH,VED,VED1,VEX<br>VSX1,VS1,V1,W1   |
|          |               |                                | 1         | -   | 1   | -          | ----- HTF2,HT2,HX26,LAJ4,LEH4,LJC,LJD2,LJS,LJT,LSJ,LTK1,LTR,LTS,LX26<br>PX2,QA26,QBU2,QB26,QH26,QIH1,QJG2,QJW1,QMA4,QMA8,QME4,QMH,QMX2<br>QTC2,QWA4,QXC9,QX26,QX7,SAD2,SAJ,SAJ4,SG24,SJC,SJC5,SJD2,SKR<br>SMA7,SMW2,SM11,SM12,SM14,SSK2,SSK3,SSX2,SSX4,STP,SWX2,SWX4<br>SXS4, SX7, TX26, VAX4, VED6, VEE1, VEK, VEX7, VMS4, VMT, VPR4, VX7, WDA6<br>WDJ,WD12,WIH1,WJP1,WJ1,WKD6,WKT2,WKT4,WKT6,WME2  |
|          |               |                                | 1         | -   | -   | -          | 2386442 ----- QHQ4,SHQ4  |
|          |               |                                | 1         | -   | -   | -          | 2534177 ----- DS,LJ,LTA,LTJ,LX,PH,PX,RX,SCJ,SJ,SKJ,SMJ,SSK1,STS,SX,TH,UH,UX<br>VET,VH,VX,WJ,WJP  |
|          |               |                                | 1         | -   | -   | -          | 2539586 ----- HXQ,HX2,LX2,AAA2,QA2,QH2,QXG2,QXQ,QXS2,QX2, TX2  |
|          |               |                                | 1         | -   | -   | -          | 2541044 ----- HHQ4, HX4, LHQ4, LX4, QX4, RHQ4, RX4, SX4, TX4, VX4  |
|          |               |                                | 1         | -   | -   | -          | 2541696 ----- HX, QX, QXG, QXS, TX   |
|          |               |                                | -         | -   | 1   | -          | 2533058  |
| 18       | 16582-883-300 | HOLDER, CONTROL CABLE .....    | 1         | -   | -   | -          | ----- QB26   |
|          |               |                                | -         | (1) | -   | -          |  |
| 19       | 16598-ZE0-000 | STAY, CHOKE CONTROL .....      | -         | (1) | -   | -          | ----- U1   |
|          |               |                                | -         | (1) | -   | -          | 2377547 H1,L1,Q1,R1,S1,V1,W1   |
|          | 16598-ZE1-000 | .....                          | 1         | -   | -   | -          | ----- QB26   |
|          |               |                                | -         | (1) | -   | -          | 2377548 H1,L1,Q1,R1,S1,V1,W1   |
| 20       | 16610-ZB2-000 | LEVER COMP., CHOKE .....       | 1         | -   | -   | -          | ----- VMT,VPR4   |
|          | 16610-ZE1-000 | LEVER COMP., CHOKE (STD.) ...  | 1         | -   | -   | -          | ----- DS,EN,ET,ETX,HH,HHQ4,HTF2,HT2,HX,HXQ,HXU,HX2,HX26,HX4,LAJ4<br>LEH4,LH,LHQ4,LJ,LJC,LJD2,LJS,LJT,LSJ,LTA,LTJ,LTK1,LTR,LTS,LX<br>LXU,LX2,LX26,LX4,PH,PX,PX2,QA,QAA2,QA2,QA26,QBU2, QEH,QH,QHQ4<br>QH2,QH26,QJG2,QJW1,QLL,QMA4,QMA8,QME4,QMH,QMX2,QPU,QSJ,QT,QTC2<br>QWA4,QX,QXC,QXC9,QXG,QXG2,QXQ,QXS,QXS2,QXU,QX2,QX26,QX4,QX7,RH<br>RHC,RHQ4,RX,RX4,SAD2,SAJ,SAJ4,SCJ,SG24,SH,SHQ4,SJ,SJC,SJC1<br>SJC5,SJD2,SKJ,SKR,SMA7,SMJ,SMW2,SM11,SM12,SM14,SN,SSK1,SSK2<br>SSK3,SSX2,SSX4,STP,STS,SWX2,SWX4,SX,SXS4,SX4,SX7,TH, TX, TX2<br>TX26, TX4, UH, UX, UXU, VA, VAX4, VED, VED1, VED6, VEE1, VEK, VET, VEX, VEX7<br>VH, VMS4, VS, VSX, VSX1, VS1, VX, VXU, VX4, VX7, WDA6, WDJ, WD12, WJ, WJP<br>WJP1, WJ1, WKD6, WKT2, WKT4, WKT6, WME2     |
|          |               |                                | -         | (1) | 1   | 1          |  |
| 21       | 16610-ZE1-810 | LEVER COMP., CHOKE (REMOTE) .. | 1         | -   | -   | -          | ----- QB26   |
|          |               |                                | -         | (1) | -   | -          |  |
| 22       | 16615-ZE1-010 | SPRING, RETURN .....           | 1         | -   | -   | -          | ----- QA   |
|          |               |                                | -         | (1) | -   | -          |  |
| 23       | 16617-890-010 | HOLDER, CABLE .....            | 1         | -   | -   | -          | ----- QB26   |
|          |               |                                | -         | (1) | -   | -          |  |
| 24       | 16953-ZE1-812 | LEVER, COCK .....              | 1         | -   | -   | -          | ----- DS,EN,ET,ETX,HH,HHQ4,HTF2,HT2,HX,HXQ,HXU,HX2,HX26,HX4,LAJ4<br>LEH4,LH,LHQ4,LJ,LJC,LJD2,LJS,LJT,LSJ,LTA,LTJ,LTK1,LTR,LTS,LX<br>LXU,LX2,LX26,LX4,PH,PX,PX2,QA,QAA2,QA2,QA26,QBU2,QB26,QEH,QH<br>QHQ4,QH2,QH26,QJG2,QJW1,QLL,QMA4,QMA8,QME4,QMH,QMX2,QPU,QSJ,QT<br>QTC2,QWA4,QX,QXC,QXC9,QXG,QXG2,QXQ,QXS,QXS2,QXU,QX2,QX26,QX4<br>QX7,RH,RHC,RHQ4,RX,RX4,SAD2,SAJ,SAJ4,SCJ,SG24,SH,SHQ4,SJ,SJC<br>SJC1,SJC5,SJD2,SKJ,SKR,SMA7,SMJ,SMW2,SM11,SM12,SM14,SN,SSK1<br>SSK2,SSK3,SSX2,SSX4,STP,STS,SWX2,SWX4,SX,SXS4,SX4,SX7,TH, TX<br>TX2, TX26, TX4, UH, UX, UXU, VA, VAX4, VED, VED1, VED6, VEE1, VEK, VET, VEX<br>VEX7, VH, VMS4, VS, VSX, VSX1, VS1, VX, VXU, VX4, VX7, WDA6, WDJ, WD12, WJ<br>WJP, WJP1, WJ1, WKD6, WKT2, WKT4, WKT6, WME2 |
|          |               |                                | -         | (1) | 1   | 1          |  |

2

E-14-1

CARBURETOR(2)

14



ZH70-E1401A

| Ref. No. | Part No.      | Description                              | Reqd. QTY |     |     |     | Serial No.  | Parts catalogue code |
|----------|---------------|--|-----------|-----|-----|-----|---|----------------------|
|          |               |  | (1)       | (2) | (3) | (4) |   |                      |
| 25       | 16954-ZE1-811 | PLATE, LEVER SETTING<br>(CARBURETOR NO.) | 1         | -   | -   | -   | BE12A B DS, LJ, LTA, LTJ, SAJ, SCJ, SJ, SJC, SKJ, SMJ, SSK1, SSK3, STP, STS, VET, WDJ<br>WJ, WJP  |                      |
|          | ///           | ///                                      | 1         | -   | -   | -   | BE60B A HTF2, HX2, LX2, PX2, QAA2, QH2, QMX2, QXG2, QXS2, QX2, SMW2, SSK2, TX2  |                      |
|          | ///           | ///                                      | 1         | -   | -   | -   | BE60C A QA2, WKT2   |                      |
|          | 16954-ZE1-812 | .....<br>(CARBURETOR NO.)                | 1         | (1) | -   | -   | U1  |                      |
|          | ///           | ///                                      | 1         | -   | -   | -   | EN, ET, ETX, HH, HHQ4, HT2, HX, HXU, HX26, HX4, LAJ4, LEH4, LH, LHQ4, LJC<br>LJD2, LJS, LJT, LSJ, LTK1, LTR, LTS, LX, LXU, LX26, LX4, PH, PX, QA, QA26<br>QBU2, QB26, QEH, QH, QHQ4, QH26, QJG2, QJW1, QLL, QMA4, QMA8, QME4, QMH<br>QPU, QSJ, QT, QTC2, QWA4, QX, QXC, QXG, QXS, QXU, QX26, QX4, QX7, RH, RHC<br>RHQ4, RX, RX4, SAD2, SAJ4, SG24, SH, SHQ4, SJC1, SJC5, SJD2, SKR, SMA7<br>SM11, SM12, SM14, SN, SSSX2, SSSX4, SWX2, SWX4, SX, SXS4, SX4, SX7, TH, TX<br>TX26, TX4, UH, UX, UXU, VA, VAX4, VED, VED1, VED6, VEE1, VEK, VEX, VEX7, VH<br>VMS4, VS, VSX, VSX1, VS1, VX, VXU, VX4, VX7, WDA6, WD12, WJP1, WJ1, WKD6<br>WKT4, WKT6, WME2 |                      |
|          | ///           | ///                                      | 1         | -   | -   | -   | BE12A C ----- DS, LJ, LTA, LTJ, SAJ, SCJ, SJ, SJC, SKJ, SMJ, SSK1, SSK3, STP, STS, VET, WDJ<br>WJ, WJP  |                      |
|          | ///           | ///                                      | 1         | -   | -   | -   | BE60A B ----- HXQ, QXQ  |                      |
|          | ///           | ///                                      | 1         | -   | -   | -   | BE60B B ----- HTF2, HX2, LX2, PX2, QAA2, QH2, QMX2, QXG2, QXS2, QX2, SMW2, SSK2, TX2  |                      |
|          | ///           | ///                                      | 1         | -   | -   | -   | BE60C B ----- QA2, WKT2   |                      |
|          | ///           | ///                                      | 1         | -   | -   | -   | BE60F B ----- QXC9  |                      |
|          | 16954-ZF0-841 | .....<br>(CARBURETOR NO.)                | -         | (1) | 1   | 1   |   |                      |
|          | ///           | ///                                      | 1         | -   | -   | -   | BE60A A HXQ, QXQ  |                      |
|          | ///           | ///                                      | 1         | -   | -   | -   | BE60F A QXC9  |                      |

2

E-14-1

CARBURETOR(2)

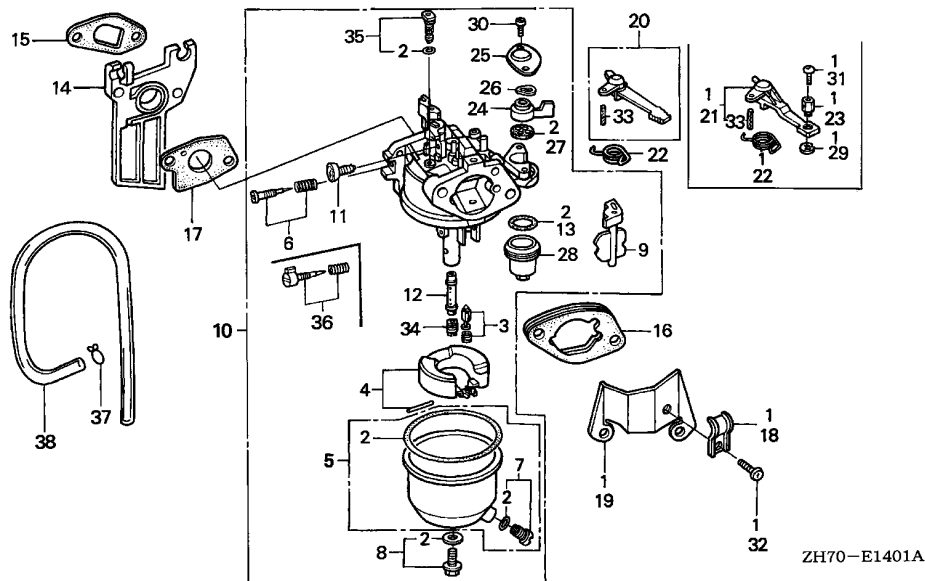
15

| Ref. No. | Part No.       | Description              | Reqd. QTY |                |     |     | Serial No.   | Parts catalogue code |
|----------|----------------|--------------------------|-----------|----------------|-----|-----|--|----------------------|
|          |                |                          | (1)       | GX120K1<br>(2) | (3) | (4) |  |                      |
| 26       | 16956-ZE1-811  | SPRING, COCK LEVER ..... | 1         | -              | -   | -   | DS,EN,ET,ETX,HH,HHQ4,HTF2,HT2,HX,HXQ,HXU,HX2,HX26,HX4,LAJ4,LEH4,LH,LHQ4,LJ,LJC,LJD2,LJS,LJT,LSJ,LTA,LTJ,LTK1,LTR,LTS,LX,LXU,LX2,LX26,LX4,PH,PX,PX2,QA,QAA2,QA2,QA26,QBU2,QB26,QEH,QH,QHQ4,QH2,QH26,QJG2,QJW1,QLL,QMA4,QMA8,QME4,QMH,QMX2,QPU,QSJ,QT,QTC2,QWA4,QX,QXC,QXC9,QXG,QXG2,QXQ,QXS,QXS2,QXU,QX2,QX26,QX4,QX7,RH,RHC,RHQ4,RX,RX4,SAD2,SAJ,SAJ4,SCJ,SG24,SH,SHQ4,SJ,SJC,SJC1,SJC5,SJD2,SKJ,SKR,SMA7,SMJ,SMW2,SM11,SM12,SM14,SN,SSK1,SSK2,SSK3,SSX2,SSX4,STP,STS,SWX2,SWX4,SX,SXS4, SX4, SX7, TH, TX, TX2, TX26, TX4, UH, UX, UXU, VA, VAX4, VED, VED1, VED6, VEE1, VEK, VET, VEX, VEX7, VH, VMS4, VS, VSX, VSX1, VS1, VX, VXU, VX4, VX7, WDA6, WDJ, WD12, WJ, WJP, WJP1, WJ1, WKD6, WKT2, WKT4, WKT6, WME2 |                      |
|          |                |                          | -         | (1)            | 1   | 1   |  |                      |
| 27       | 16957-ZE1-812  | PACKING, FUEL COCK ..... | 1         | -              | -   | -   | DS,EN,ET,ETX,HH,HHQ4,HTF2,HT2,HX,HXQ,HXU,HX2,HX26,HX4,LAJ4,LEH4,LH,LHQ4,LJ,LJC,LJD2,LJS,LJT,LSJ,LTA,LTJ,LTK1,LTR,LTS,LX,LXU,LX2,LX26,LX4,PH,PX,PX2,QA,QAA2,QA2,QA26,QBU2,QB26,QEH,QH,QHQ4,QH2,QH26,QJG2,QJW1,QLL,QMA4,QMA8,QME4,QMH,QMX2,QPU,QSJ,QT,QTC2,QWA4,QX,QXC,QXC9,QXG,QXG2,QXQ,QXS,QXS2,QXU,QX2,QX26,QX4,QX7,RH,RHC,RHQ4,RX,RX4,SAD2,SAJ,SAJ4,SCJ,SG24,SH,SHQ4,SJ,SJC,SJC1,SJC5,SJD2,SKJ,SKR,SMA7,SMJ,SMW2,SM11,SM12,SM14,SN,SSK1,SSK2,SSK3,SSX2,SSX4,STP,STS,SWX2,SWX4,SX,SXS4, SX4, SX7, TH, TX, TX2, TX26, TX4, UH, UX, UXU, VA, VAX4, VED, VED1, VED6, VEE1, VEK, VET, VEX, VEX7, VH, VMS4, VS, VSX, VSX1, VS1, VX, VXU, VX4, VX7, WDA6, WDJ, WD12, WJ, WJP, WJP1, WJ1, WKD6, WKT2, WKT4, WKT6, WME2 |                      |
|          |                |                          | -         | (1)            | 1   | 1   |  |                      |
| 28       | 16967-ZE0-811  | CUP, FUEL STRAINER ..... | 1         | -              | -   | -   | DS,EN,ET,ETX,HH,HHQ4,HTF2,HT2,HX,HXQ,HXU,HX2,HX26,HX4,LAJ4,LEH4,LH,LHQ4,LJ,LJC,LJD2,LJS,LJT,LSJ,LTA,LTJ,LTK1,LTR,LTS,LX,LXU,LX2,LX26,LX4,PH,PX,PX2,QA,QAA2,QA2,QA26,QBU2,QB26,QEH,QH,QHQ4,QH2,QH26,QJG2,QJW1,QLL,QMA4,QMA8,QME4,QMH,QMX2,QPU,QSJ,QT,QTC2,QWA4,QX,QXC,QXC9,QXG,QXG2,QXQ,QXS,QXS2,QXU,QX2,QX26,QX4,QX7,RH,RHC,RHQ4,RX,RX4,SAD2,SAJ,SAJ4,SCJ,SG24,SH,SHQ4,SJ,SJC,SJC1,SJC5,SJD2,SKJ,SKR,SMA7,SMJ,SMW2,SM11,SM12,SM14,SN,SSK1,SSK2,SSK3,SSX2,SSX4,STP,STS,SWX2,SWX4,SX,SXS4, SX4, SX7, TH, TX, TX2, TX26, TX4, UH, UX, UXU, VA, VAX4, VED, VED1, VED6, VEE1, VEK, VET, VEX, VEX7, VH, VMS4, VS, VSX, VSX1, VS1, VX, VXU, VX4, VX7, WDA6, WDJ, WD12, WJ, WJP, WJP1, WJ1, WKD6, WKT2, WKT4, WKT6, WME2 |                      |
|          |                |                          | -         | (1)            | 1   | 1   |  |                      |
| 29       | 90605-230-000  | CIRCLIP, 5MM .....       | 1         | -              | -   | -   | QB26   |                      |
|          |                |                          | -         | (1)            | -   | -   |  |                      |
| 30       | 93500-03008-1G | SCREW, PAN, 3X8 .....    | 2         | (2)            | 2   | -   | UIH,U1,VAX4  |                      |
|          |                | (CARBURETOR NO.)         | 2         | (2)            | -   | -   | BE12C A H1,L1,QA,Q1,R1,S1,V1,W1  |                      |
|          |                | //                       | 2         | -              | -   | -   | BE12A A HX,QX,QXG,QXS, TX  |                      |
|          |                | //                       | 2         | -              | -   | -   | BE12A B DS,EN,ET,ETX,HH,HHQ4,HX4,LH,LHQ4,LJ,LTJ,LX,LX4,PH,PX,QEH,QH,QHQ4,QLL,QMA4,QMA8,QME4,QPU,QT,QX4,RH,RHC,RHQ4,RX,RX4,SAJ,SCJ,SH,SHQ4,SJ,SJC,SKJ,SMA7,SMJ,SN,SSK1,SSK3,SSX4,STP,SX, SX4, TH, TX4, UH, UX, VA, VED, VED1, VET, VEX, VH, VS, VSX, VSX1, VS1, VX, VX4, WDJ, WJ, WJP   |                      |
|          |                | //                       | 2         | -              | -   | -   | BE12K A LTA  |                      |
|          |                | //                       | 2         | -              | -   | -   | BE13A A QXC,STS  |                      |
|          |                | //                       | 2         | -              | -   | -   | BE60A A HXQ,QXQ  |                      |
|          |                | //                       | 2         | -              | -   | -   | BE60B A HTF2,HX2,HX26,LX2,LX26, PX2, QAA2, QBU2, QH2, QH26, QMX2, QTC2, QXG2, QXS2, QX2, QX26, SAD2, SG24, SMW2, SSK2, TX2, TX26   |                      |
|          |                | //                       | 2         | -              | -   | -   | BE60C A QA2,QA26,WKT2,WME2   |                      |
|          |                | //                       | 2         | -              | -   | -   | BE60F A QXC9   |                      |
|          |                |                          | -         | -              | -   | 2   |  |                      |

2

E-14-1

CARBURETOR(2)



ZH70-E1401A

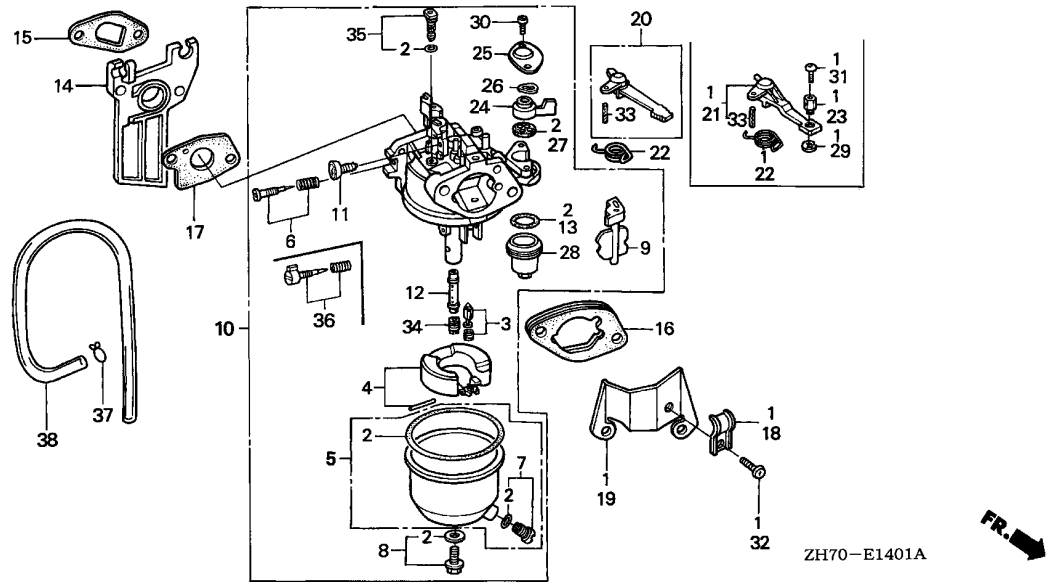


| Ref. No. | Part No.       | Description      | Reqd. QTY |     |     |     | Serial No. | Parts catalogue code  |   |
|----------|----------------|------------------|-----------|-----|-----|-----|------------|---|---|
|          |                |                  | (1)       | (2) | (3) | (4) |            |   |   |
| 30)      | 93500-03006-1H | SCREW, PAN, 3X6  | 2         | -   | 2   | -   | -----      | HT2, HXU, LAJ4, LEH4, LJC, LJD2, LJS, LJT, LSJ, LTK1, LTS, LXU, QA, QB26, QIH1, QJG2, QJW1, QMH, QSJ, QWA4, QXU, QX7, SAJ4, SJC1, SJC5, SJD2, SKR, SM11, SM12, SM14, SSS2, SWX2, SWX4, SXS4, SX7, UXU, VED6, VEE1, VEK, VEX7, VMS4, VXU, VX7, WDA6, WD12, WIH1, WJ1, WKD6, WKT4, WKT6 |   |
|          |                | (CARBURETOR NO.) | 2         | -   | 2   | -   | BE12A C    | -----   | DS, EN, ET, ETX, HH, HHQ4, HX4, LH, LHQ4, LJ, LTJ, LX, LX4, PH, PX, QEH, QH, QHQ4, QLL, QMA4, QMA8, QME4, QPU, QT, QX4, RH, RHC, RHQ4, RX, RX4, SAJ, SCJ, SH, SHQ4, SJ, SJC, SKJ, SMA7, SMJ, SN, SSK1, SSK3, SSS4, STP, SX, SX4, TH, TX4, UH, UIH, UX, VA, VED, VED1, VET, VEX, VH, VS, VSX, VSS1, VS1, VX, VX4, WDJ, WJ, WJP |
|          | ///            |                  | 2         | -   | -   | -   | BE12A B    | -----   | HX, QX, QXG, QXS, TX  |
|          | ///            |                  | 2         | -   | -   | -   | BE12K B    | -----   | LTA   |
|          | ///            |                  | 2         | -   | -   | -   | BE13A B    | -----   | QXC, STS  |
|          | ///            |                  | 2         | -   | -   | -   | BE60A B    | -----   | HXQ, QXQ  |
|          | ///            |                  | 2         | -   | -   | -   | BE60B B    | -----   | HTF2, HX2, HX26, LX2, LX26, PX2, QAA2, QBU2, QH2, QH26, QMX2, QTC2, QXG2, QXS2, QX2, QX26, SAD2, SG24, SMW2, SSK2, TX2, TX26  |
|          | ///            |                  | 2         | -   | -   | -   | BE60C B    | -----   | QA2, QA26, WKT2, WME2   |
|          | ///            |                  | 2         | -   | -   | -   | BE60F B    | -----   | QXC9  |
|          | ///            |                  | -         | (2) | -   | -   | BE12C B    | -----   | H1, L1, Q1, R1, S1, V1, W1  |
|          | ///            |                  | -         | -   | -   | 2   | BE12A C    | -----   |   |
| 31       | 93500-04008-0A | SCREW, PAN, 4X8  | 1         | -   | -   | -   | -----      | QB26  |   |
|          |                |                  | -         | (1) | -   | -   | -----      |   |   |
| 32       | 93500-05008-0A | SCREW, PAN, 5X8  | 1         | -   | -   | -   | -----      | QB26  |   |
|          |                |                  | -         | (1) | -   | -   | -----      |   |   |

| Ref. No. | Part No.       | Description             | Reqd. QTY |     |     |     | Serial No. | Parts catalogue code  |
|----------|----------------|-------------------------|-----------|-----|-----|-----|------------|---|
|          |                |                         | (1)       | (2) | (3) | (4) |            |   |
| 33       | 94305-20122    | PIN, SPRING, 2X12 ..... | 1         | -   | -   | -   | -----      | DS,EN,ET,ETX,HH,HHQ4,HTF2,HT2,HX,HXQ,HXU,HX2,HX26,HX4,LAJ4,LEH4,LH,LHQ4,LJ,LJC,LJD2,LJS,LJT,LSJ,LTA,LTJ,LTK1,LTR,LTS,LX,LXU,LX2,LX26,LX4,PH,PX,PX2,QA,QAA2,QA2,QA26,QBU2,QB26,QUEH,QH,QHQ4,QH2,QH26,QJG2,QJW1,QLL,QMA4,QMA8,QME4,QMH,QMX2,QPU,QSJ,QT,QT C2,QWA4,QX,QXC,QXC9,QXG,QXG2,QXQ,QXS,QXS2,QXU,QX2,QX26,QX4,QX7,RH,RHC,RHQ4,RX,RX4,SAD2,SAJ,SAJ4,SCJ,SG24,SH,SHQ4,SJ,SJC,SJC1,SJC5,SJD2,SKJ,SKR,SMA7,SMJ,SMW2,SM11,SM12,SM14,SN,SSK1,SSK2,SSK3,SSX2,SSX4,STP,STS,SWX2,SWX4,SX,SXS4,SX4,SX7,TH,TX,TX2,TX26,TX4,UH,UX,UXU,VA,VAX4,VED,VED1,VED6,VEE1,VEK,VET,VEX,VEX7,VH,VMS4,VMT,VPR4,VS,VSX,VSX1,VS1,VX,VXU,VX4,VX7,WDA6,WDJ,WD12,WJ,WJP,WJP1,WJ1,WKD6,WKT2,WKT4,WKT6,WME2 |
|          |                |                         | -         | (1) | 1   | 1   |            |   |
| 34       | 99101-ZF5-0550 | JET, MAIN, #55 .....    | (1)       | -   | (1) | -   | -----      | HH,QXG,QXS,RH,VA,VH,VS1,WIH1  |
|          |                | (CARBURETOR NO.)        | (1)       | -   | (1) | -   | -----      | BE12A A EN,ET,ETX,QT,SN,UIH,VED,VED1  |
|          |                |                         | -         | (1) | -   | -   |            |   |
|          | 99101-ZF5-0580 | JET, MAIN, #58 .....    | (1)       | -   | (1) | -   | -----      | HH,QXG,QXS,RH,VA,VH,VS1,WIH1  |
|          |                | (CARBURETOR NO.)        | (1)       | -   | (1) | -   | -----      | BE12A A EN,ET,ETX,QT,SN,UIH,VED,VED1  |
|          |                |                         | -         | (1) | -   | -   |            |   |
|          | 99101-ZF5-0600 | JET, MAIN, #60 .....    | 1         | -   | 1   | -   | -----      | BE12A A EN,ET,ETX,HH,HX,LH,LX,PH,PX,QUEH,QH,QPU,QT,QX,QXG,QXS,RH,RHC,RX,SH,SN,SX,TH,TX,UH,UH,UX,VA,VED,VED1,VEX,VH,VS,VSX,VSX1,VS1,VX   |
|          |                | (CARBURETOR NO.)        | -         | 1   | -   | 1   | -----      | BE12A A   |
|          | 99101-ZF5-0620 | JET, MAIN, #62 .....    | (1)       | -   | -   | -   | -----      | VH  |
|          |                |                         | -         | (1) | -   | -   |            |   |
|          | 99101-ZH7-0650 | JET, MAIN, #65 .....    | (1)       | -   | -   | -   | -----      | BE60M A QB26  |
|          |                | (CARBURETOR NO.)        | (1)       | -   | -   | -   | -----      | BE60M A QB26  |
|          | 99101-ZH7-0680 | JET, MAIN, #68 .....    | 1         | -   | -   | -   | -----      | QAA2,QBU2,SAD2,SSK2   |
|          |                | (CARBURETOR NO.)        | (1)       | -   | -   | -   | -----      | BE12A B BE12A C EN,ET,ETX   |
|          | 99101-ZH7-0550 | JET, MAIN, #55 .....    | (1)       | -   | -   | -   | -----      | HXQ,QAA2,QBU2,QS,JS,QXQ,SAD2,SSK2   |
|          |                | (CARBURETOR NO.)        | (1)       | -   | -   | -   | -----      | BE12A B BE12A C EN,ET,ETX   |
|          | 99101-ZH7-0580 | JET, MAIN, #58 .....    | (1)       | -   | -   | -   | -----      | HH,QXG,QXS,RH,U1,VA,VH,VS1,V1   |
|          |                | (CARBURETOR NO.)        | 1         | 1   | -   | -   | -----      | BE12A B BE12A C EN,ET,ETX,QT,SN,UIH,VED,VED1  |
|          |                |                         | 1         | -   | -   | -   | -----      | QAA2,QBU2,SAD2,SSK2   |
|          |                |                         | 1         | -   | -   | -   | -----      | BE12A C QME4  |
|          |                |                         | (1)       | (1) | -   | -   | -----      | HXQ,H1,QS,JS,QXQ,Q1,R1,W1   |
|          | 99101-ZH7-0620 | JET, MAIN, #62 .....    | 1         | -   | -   | -   | -----      | HXQ,QS,JS,QXQ   |
|          |                | (CARBURETOR NO.)        | (1)       | -   | -   | -   | -----      | BE60M A QB26  |
|          | 99101-ZH8-0550 | JET, MAIN, #55 .....    | (1)       | -   | -   | -   | -----      | HHQ4,HTF2,HT2,HX,HXU,HX2,HX26,HX4,LAJ4,LEH4,LH,LHQ4,LJD2,LJT,LX,LXU,LX2,LX26,LX4,PH,PX,PX2,QA,QUEH,QH,QHQ4,QH2,QH26,QJG2,QJW1,QLL,QMA4,QMA8,QMH,QMX2,QPU,QT C2,QWA4,QX,QXG2,QXS2,QXU,QX2,QX26,QX4,QX7,RHC,RHQ4,RX,RX4,SAJ4,SG24,SH,SHQ4,SJD2,SMA7,SMJ,SMW2,SM11,SM12,SM14,SSK1,SSK3,SSX2,SSX4,STP,SWX2,SWX4,SX,SXS4,SX4,SX7,TH,TX,TX2,TX26,TX4,UH,UX,UXU,VAX4,VEE1,VEK,VEX,VEX7,VMS4,VS,VSX,VSX1,VX,VXU,VX4,VX7,WDA6  |
|          |                | (CARBURETOR NO.)        | (1)       | -   | -   | -   | -----      | BE12A C BE12A C EN,ET,ETX   |
|          |                |                         | (1)       | -   | -   | -   | -----      | BE60B B BE60B B QB26  |
|          |                |                         | -         | (1) | -   | (1) |            |   |







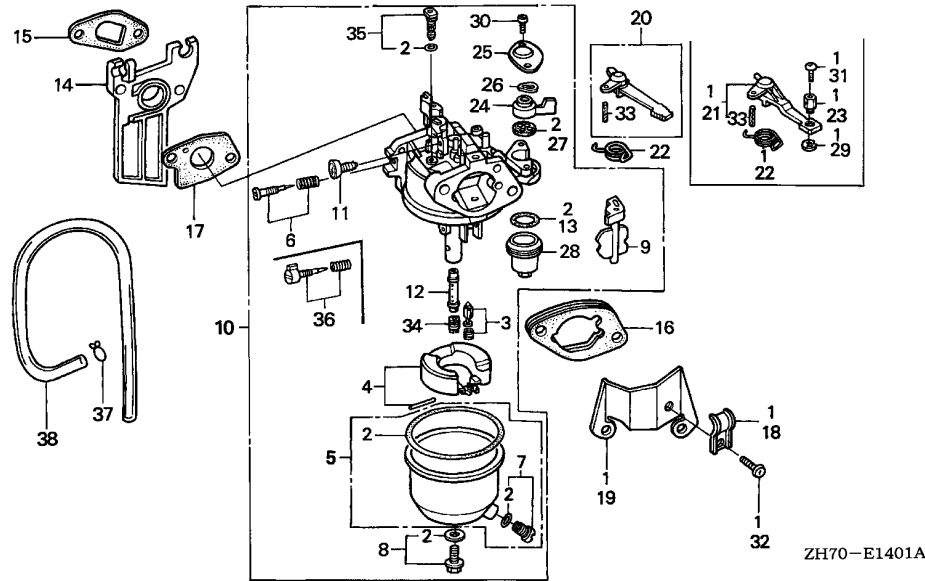
ZH70-E1401A

| Ref. No. | Part No.         | Description          | Reqd. QTY |     |     |     | Serial No.    | Parts catalogue code   |
|----------|------------------|----------------------|-----------|-----|-----|-----|---------------|--|
|          |                  |                      | (1)       | (2) | (3) | (4) |               |  |
|          |                  |                      | GX120K1   |     |     |     |               |  |
| 34)      | 99101-ZH8-0580   | JET, MAIN, #58 ..... | (1)       | -   | (1) | -   | -----         | DS,HHQ4,HTF2,HT2,HX,HXU,HX2,HX26,HX4,LAJ4,LEH4,LH,LHQ4,LJ,LJC<br>LJD2,LJS,LJT,LSJ,LTK1,LTR,LX,LXU,LX2,LX26,LX4,PH,PX,PX2,QA,QA2<br>QA26,QEH,QH,QHQ4,QH2,QH26,QIH1,QJG2,QJW1,QLL,QMA4,QMA8,QME4<br>QMH,QMX2,QPU,QSJ,QTC2,QWA4,QX,QXC,QXC9,QXG2,QXS2,QXU,QX2,QX26<br>QX4,QX7,RHC,RHQ4,RX,RX4,SAJ,SAJ4,SCJ,SG24,SH,SHQ4,SJ,SJC,SJC1<br>SJC5,SJD2,SKJ,SKR,SMA7,SMJ,SMW2,SM11,SM12,SM14,SSK1,SSK3,SSX2<br>SSX4,STP,STS,SWX2,SWX4,SX,SXS4,SX4,SX7,TH,TX,TX2,TX26,TX4,UH<br>UX,UXU,VAX4,VED6,VEE1,VEK,VET,VEX,VEX7,VMS4,VMT,VPR4,VS,VSX<br>VSX1,VX,VXU,VX4,VX7,WDA6,WDJ,WD12,WIH1,WJ,WJP,WJP1,WJ1,WKD6<br>WKT2,WKT4,WKT6,WME2 |
|          | (CARBURETOR NO.) |                      | (1)       | -   | (1) | -   | BE12A B ----- | QT,SN,UIH,VED,VED1   |
|          | ///              |                      | (1)       | -   | -   | -   | BE12A C ----- | EN,ET,ETX  |
|          | ///              |                      | (1)       | -   | -   | -   | BE60C B LTJ   |  |
|          | ///              |                      | (1)       | -   | -   | -   | BE60B B       | BE60B B QB26   |
|          |                  |                      | -         | (1) | -   | (1) |               |  |

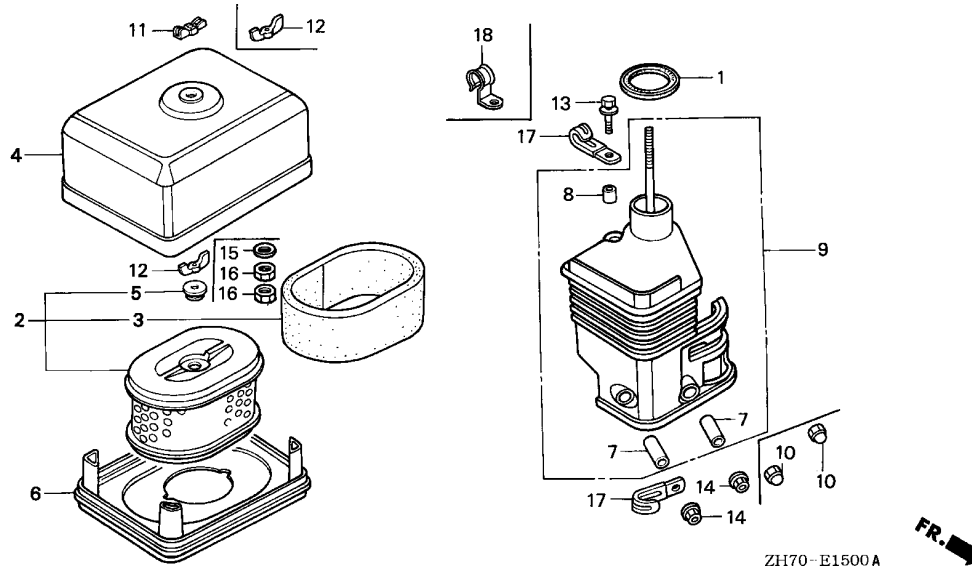
2

| Ref. No. | Part No.       | Description                             | Reqd. QTY |     |     |     | Serial No. | Parts catalogue code  |
|----------|----------------|---|-----------|-----|-----|-----|------------|---|
|          |                |   | (1)       | (2) | (3) | (4) |            |   |
| 34)      | 99101-ZH8-0600 | JET, MAIN, #60<br>(CARBURETOR NO.)      | 1         | -   | (1) | -   | BE12A B    | -----<br>HX, LH, LX, PH, PX, QEH, QH, QPU, QX, RHC, RX, SH, SX, TH, TX, UH, UIH, UX, VEX<br>VS, VSX, VSX1, VX   |
|          |                |   | 1         | -   | -   | -   | -----      | -----<br>HHQ4, HTF2, HT2, HXU, HX2, HX26, HX4, LAJ4, LEH4, LHQ4, LJD2, LJT, LXU, LX2<br>LX26, LX4, PX2, QA, QHQ4, QH2, QH26, QJG2, QJW1, QLL, QMA4, QMA8, QMH, QMX2<br>QTC2, QWA4, QXG2, QXS2, QXU, QX2, QX26, QX4, QX7, RHQ4, RX4, SAJ4, SG24<br>SHQ4, SJD2, SMA7, SMJ, SMW2, SM11, SM12, SM14, SSK1, SSK3, SSS2, SSS4, STP<br>SWX2, SWX4, SXS4, SX4, SX7, TX2, TX26, TX4, UXU, VAX4, VEE1, VEK, VEX7<br>VMS4, VXU, VX4, VX7, WDA6   |
|          |                | (CARBURETOR NO.)                        | 1         | -   | -   | -   | BE60B B    | BE60B B<br>QB26   |
|          |                |   | (1)       | -   | (1) | -   | -----      | -----<br>DS, LJ, LJC, LJS, LSJ, LTA, LTK1, LTR, QA2, QA26, QIH1, QME4, QSJ, QXC, QXC9<br>SAJ, SCJ, SJ, SJC, SJC1, SJC5, SKJ, SKR, STS, VED6, VET, VMT, VPR4, WDJ<br>WD12, WIH1, WJ, WJP, WJP1, WJ1, WKD6, WKT2, WKT4, WKT6, WME2  |
|          |                | (CARBURETOR NO.)                        | (1)       | -   | -   | -   | BE12A B    | -----<br>QT, SN, VED, VED1  |
|          |                | //                                      | (1)       | -   | -   | -   | BE60L A    | -----<br>EN, ET, ETX  |
|          |                | //                                      | (1)       | -   | -   | -   | BE60C B    | -----<br>LTJ  |
|          |                | (CARBURETOR NO.)                        | -         | 1   | -   | -   | BE12A B    |   |
|          | 99101-ZH8-0620 | JET, MAIN, #62                          | 1         | -   | -   | -   | -----      | -----<br>WD12, WME2   |
|          | 99101-ZH8-0600 | JET, MAIN, #60<br>(CARBURETOR NO.)      | 1         | -   | -   | -   | BE12A C    | BE12A C<br>EN, ET, ETX  |
|          | 99101-ZH8-0620 | JET, MAIN, #62                          | 1         | -   | 1   | -   | -----      | -----<br>DS, LJ, LJC, LJS, LSJ, LTK1, LTR, QA2, QA26, QIH1, QSJ, QXC, QXC9, SAJ, SCJ<br>SJ, SJC, SJC1, SJC5, SKJ, SKR, STS, VED6, VET, VMT, VPR4, WDJ, WIH1, WJ, WJP<br>WJP1, WJ1, WKD6, WKT2, WKT4, WKT6   |
|          |                | (CARBURETOR NO.)                        | 1         | -   | 1   | -   | BE60L A    | -----<br>EN, ET, ETX, QME4, QT, SN, UIH, VED, VED1  |
|          |                | //                                      | 1         | -   | -   | -   | BE60C B    | -----<br>LTJ  |
|          |                | (CARBURETOR NO.)                        | (1)       | -   | -   | -   | -----      | -----<br>LTA  |
|          |                | (CARBURETOR NO.)                        | (1)       | -   | -   | -   | BE60M A    | -----<br>QB26   |
|          | 99101-ZH8-0650 | JET, MAIN, #65                          | 1         | -   | -   | -   | -----      | -----<br>LTA  |
|          | 99101-ZH8-0680 | JET, MAIN, #68<br>(CARBURETOR NO.)      | 1         | -   | -   | -   | BE60M A    | -----<br>QB26   |
|          | 99101-ZH8-0550 | JET, MAIN, #55<br>(CARBURETOR NO.)      | (1)       | -   | -   | -   | -----      | -----<br>LTS  |
|          | 99101-ZH8-0580 | JET, MAIN, #58<br>(CARBURETOR NO.)      | (1)       | -   | -   | -   | BE60B B    | -----<br>LTJ  |
|          | 99101-ZH8-0600 | JET, MAIN, #60<br>(CARBURETOR NO.)      | (1)       | -   | -   | -   | BE60B B    | -----<br>LTS  |
|          | 99101-ZH8-0600 | JET, MAIN, #60                          | 1         | -   | -   | -   | -----      | -----<br>LTS, SJD2, VEK   |
|          |                | (CARBURETOR NO.)                        | 1         | -   | -   | -   | BE60B B    | -----<br>LTJ  |
| 35       | 99204-ZE0-0350 | JET SET, PILOT, #35                     | 1         | -   | -   | -   | -----      | -----<br>DS, EN, ET, ETX, HH, HHQ4, HTF2, HT2, HX, HXQ, HXU, HX2, HX26, HX4, LAJ4<br>LEH4, LH, LHQ4, LJ, LJC, LJD2, LJS, LJT, LSJ, LTA, LTJ, LTK1, LTR, LTS, LX<br>LXU, LX2, LX26, LX4, PH, PX, PX2, QA, QAA2, QA2, QA26, QBU2, QB26, QEH, QH<br>QHQ4, QH2, QH26, QJG2, QJW1, QLL, QMA4, QMA8, QME4, QMH, QMX2, QPU, QSJ, QT<br>QTC2, QWA4, QX, QXG, QXG2, QXQ, QXS, QXS2, QXU, QX2, QX26, QX4, QX7, RH, RHC<br>RHQ4, RX, RX4, SAD2, SAJ, SAJ4, SCJ, SG24, SH, SHQ4, SJ, SJC, SJC1, SJC5<br>SJD2, SKJ, SKR, SMA7, SMJ, SMW2, SM11, SM12, SM14, SN, SSK1, SSK2, SSK3<br>SSX2, SSS4, STP, STS, SWX2, SWX4, SX, SXS4, SX4, SX7, TH, TX, TX2, TX26, TX4<br>UH, UX, UXU, VA, VAX4, VED, VED1, VED6, VEE1, VEK, VET, VEX, VEX7, VH, VMS4<br>VMT, VPR4, VS, VSX, VSX1, VS1, VX, VXU, VX4, VX7, WDA6, WDJ, WD12, WJ, WJP<br>WJP1, WJ1, WKD6, WKT2, WKT4, WKT6, WME2 |
|          |                | (CARBURETOR NO.)                        | 1         | -   | -   | -   | BE13A B    | QXC   |
|          |                |   | -         | (1) | 1   | 1   | -----      | -----<br>QXC9   |
|          | 99204-ZE2-0380 | JET SET, PILOT, #38<br>(CARBURETOR NO.) | 1         | -   | -   | -   | BE60F B    | -----<br>QXC  |





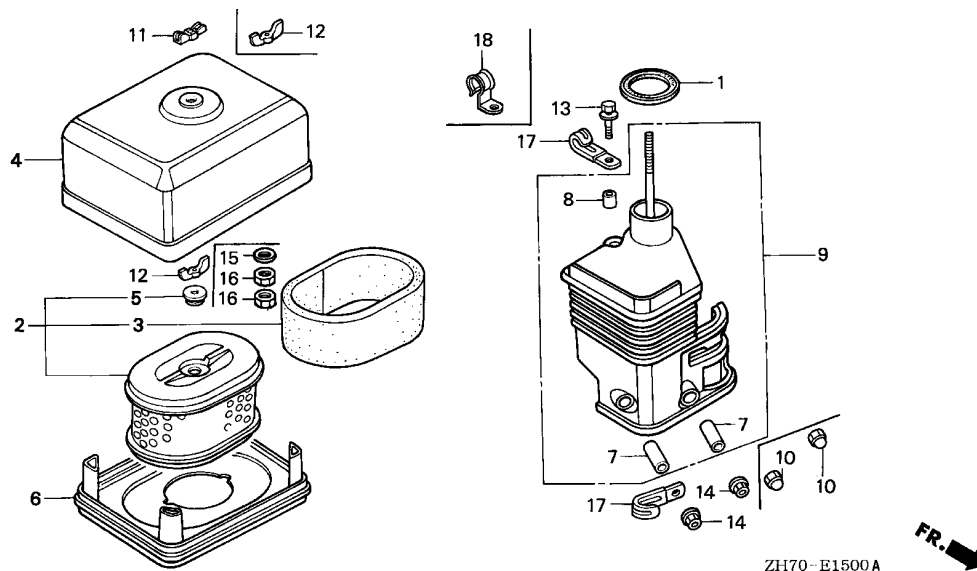
| Ref. No. | Part No.       | Description                              | Reqd. QTY |     |     |     | Serial No.  | Parts catalogue code |
|----------|----------------|--|-----------|-----|-----|-----|---|----------------------|
|          |                |  | (1)       | (2) | (3) | (4) |   |                      |
| 36       | 16016-ZH7-W01  | SCREW SET, PILOT                         | 1         | -   | -   | -   | HTF2, HT2, HXQ, HX2, HX26, LJD2, LJS, LTS, LX2, LX26, PX2, QAA2, QA2, QA26, QBU2, QH2, QH26, QJG2, QMX2, QTC2, QWA4, QXC9, QXG2, QXQ, QXS2, QX2, QX26, QX7, SAD2, SG24, SJD2, SMW2, SM11, SM12, SM14, SSK2, SXS2, SWX2, SWX4, SXS4, SX7, TX2, TX26, VED6, VEX7, VX7, WDA6, WD12, WKD6, WKT2, WKT4, WKT6, WME2 |                      |
|          |                | (CARBURETOR NO.)                         | 1         | -   | -   | -   | BE60B B HHQ4, HX, HXU, HX4, LAJ4, LEH4, LH, LHQ4, LJT, LX, LXU, LX4, PH, PX, QEH, QH, QHQ4, QJW1, QMA4, QMA8, QMH, QPU, QX, QXU, QX4, RHQ4, RX, RX4, SAJ4, SH, SHQ4, SKR, SMA7, SMJ, SSK1, SSK3, SSS4, SX, SX4, TH, TX, TX4, UH, UX, UXU, VEE1, VEX, VMS4, VS, VX, VXU, VX4                                   |                      |
|          |                | //                                       | 1         | -   | -   | -   | BE60C B DS, LJ, LSJ, LTJ, LTR, SAJ, SCJ, SJ, SJC, SJC1, SJC5, SKJ, VED, VED1, VET, WDJ, WJ, WJP, WJP1, WJ1  |                      |
|          |                | //                                       | 1         | -   | -   | -   | BE60F B QXC   |                      |
|          |                | //                                       | 1         | -   | -   | -   | BE60B B BE60B B QB26  |                      |
| 37       | 95002-02080    | CLIP, TUBE (B8)                          | 1         | -   | -   | -   | LTA   |                      |
| 38       | 95003-09023-31 | TUBE, VINYL, 4.5X8X230 (95003-09001-60M) | 1         | -   | -   | -   | LTA   |                      |



| Ref. No. | L.O.N. | (Relative ref. Number) Description | F.R.T. |
|----------|--------|------------------------------------|--------|
| 1        | 3121E1 | PACKING, ELBOW .....               | 0.1    |
| 2        | 3121B8 | ELEMENT, AIR CLEANER .....         | 0.1    |
| 3        | 3121C1 | FILTER, OUTER .....                | 0.1    |
| 6        | 3121D6 | NOSE, SILENCER .....               | 0.1    |
| 9        | 3121B4 | ELBOW, AIR CLEANER .....           | 0.1    |

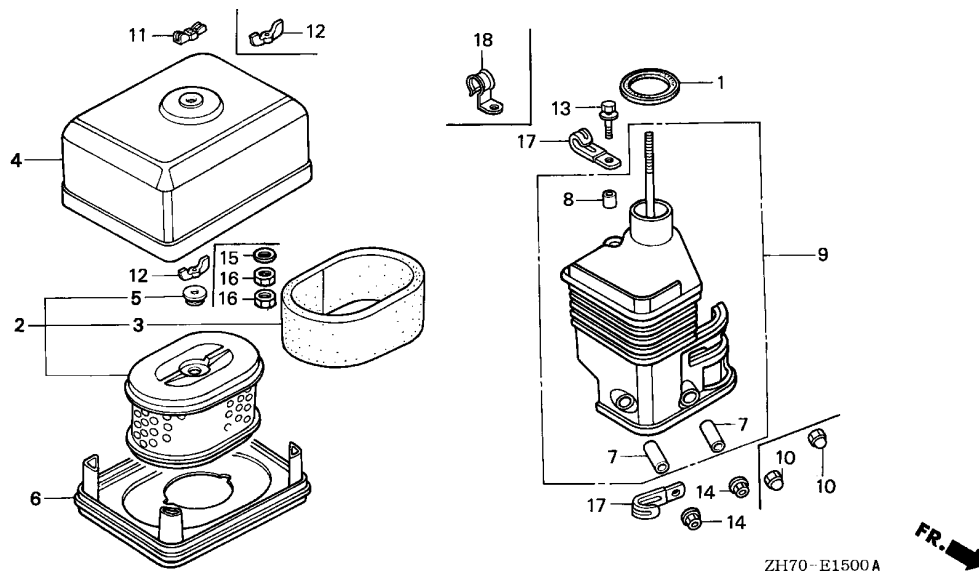
| Ref. No. | Part No.      | Description                   | Reqd. QTY |     |     |     | Serial No.   | Parts catalogue code |
|----------|---------------|-------------------------------|-----------|-----|-----|-----|--|----------------------|
|          |               |                               | (1)       | (2) | (3) | (4) |  |                      |
| 1        | 16271-ZE1-000 | PACKING, ELBOW .....          | 1         | -   | -   | -   | HH,HHQ4,HTF2,HT2,HX,HXQ,HXU,HX2,HX26,HX4,KRF4,KRS4,LAJ4,LE<br>LEH4,LH,LHQ4,LJD2,LJT,LTA,LTS,LX,LXU,LX2,LX26,LX4,PH,PX,PX2<br>QAA2,QBU2,QE,QEH,QH,QHQ4,QH2,QH26,QJG2,QJW1,QLL,QMA4,QMA8,QMX2<br>QPU,QTC2,QWA4,QX,QXG,QXG2,QXQ,QXS,QXS2,QXU,QX2,QX26,QX4,QX7,RH<br>RHC,RHQ4,RX,RX4,SAD2,SAJ4,SE,SG24,SH,SHQ4,SJD2,SMA7,SMJ,SMW2<br>SM11,SM12,SM14,SSK1,SSK2,SSK3,SSX2,SSX4,STP,SWX2,SWX4,SW2,SX<br>SXS4,SX4,SX7,TH,TX,TX2,TX26,TX4,UH,UX,UXU,VA,VAX4,VEK,VEX,VEX7<br>VH,VMS4,VS,VSX,VSX1,VS1,VX,VXU,VX4,VX7,WDA6 |                      |
|          |               |                               | 1         | -   | -   | -   | 2965582  | ----- QMH            |
|          |               |                               | 1         | -   | -   | -   | 3093871  | ----- VEE1           |
|          |               |                               | 1         | -   | -   | -   | 3558049  | ----- LTJ            |
|          |               |                               | 1         | -   | -   | -   | 3230227  | 3323432 QB26         |
|          |               |                               | -         | (1) | -   | 1   |  |                      |
| 2        | 17210-ZE0-822 | ELEMENT, AIR CLEANER (DUAL) - | 1         | -   | -   | -   | HH,HHQ4,HTF2,HT2,HX,HXQ,HXU,HX2,HX26,HX4,KRF4,KRS4,LAJ4,LE<br>LEH4,LH,LHQ4,LJD2,LJT,LTA,LTS,LX,LXU,LX2,LX26,LX4,PH,PX,PX2<br>QAA2,QBU2,QE,QEH,QH,QHQ4,QH2,QH26,QJG2,QJW1,QLL,QMA4,QMA8,QMX2<br>QPU,QTC2,QWA4,QX,QXG,QXG2,QXQ,QXS,QXS2,QXU,QX2,QX26,QX4,QX7,RH<br>RHC,RHQ4,RX,RX4,SAD2,SAJ4,SE,SG24,SH,SHQ4,SJD2,SMA7,SMJ,SMW2<br>SM11,SM12,SM14,SSK1,SSK2,SSK3,SSX2,SSX4,STP,SWX2,SWX4,SW2,SX<br>SXS4,SX4,SX7,TH,TX,TX2,TX26,TX4,UH,UX,UXU,VA,VAX4,VEK,VEX,VEX7<br>VH,VMS4,VS,VSX,VSX1,VS1,VX,VXU,VX4,VX7,WDA6 |                      |
|          |               |                               | 1         | -   | -   | -   | 2965582  | ----- QMH            |
|          |               |                               | 1         | -   | -   | -   | 3093871  | ----- VEE1           |
|          |               |                               | 1         | -   | -   | -   | 3558049  | ----- LTJ            |
|          |               |                               | 1         | -   | -   | -   | 3230227  | 3323432 QB26         |
|          |               |                               | -         | (1) | -   | 1   |  |                      |





| Ref. No. | Part No.      | Description                   | Reqd. QTY |     |     |     | Serial No.   | Parts catalogue code |
|----------|---------------|-------------------------------|-----------|-----|-----|-----|--|----------------------|
|          |               |                               | (1)       | (2) | (3) | (4) |  |                      |
|          |               |                               | GX120K1   |     |     |     |  |                      |
|          |               |                               | (1)       | (2) | (3) | (4) |  |                      |
| 3        | 17218-ZE0-821 | FILTER, OUTER .....           | 1         | -   | -   | -   | HH,HHQ4,HTF2,HT2,HX,HXQ,HXU,HX2,HX26,HX4,KRF4,LAJ4,LE,LEH4,LH,LHQ4,LJD2,LJT,LTA,LTS,LX,LXU,LX2,LX26,LX4,PH,PX,PX2,QAA2,QBU2,QE,QEH,QH,QHQ4,QH2,QH26,QJG2,QJW1,QLL,QMA4,QMA8,QMX2,QPU,QTC2,QWA4,QX,QXG,QXG2,QXQ,QXS,QXS2,QXU,QX2,QX26,QX4,QX7,RH,RHC,RHQ4,RX,RX4,SAD2,SAJ4,SE,SG24,SH,SHQ4,SJD2,SMA7,SMJ,SMW2,SM11,SM12,SM14,SSK1,SSK2,SSK3,SSX2,SSX4,STP,SWX2,SWX4,SW2,SX,SXS4,SX4,SX7,TH,TX,TX2,TX26,TX4,UH,UX,UXU,VA,VAX4,VEK,VEX,VEX7,VH,VMS4,VS,VSX,VSX1,VS1,VX,VXU,VX4,VX7,WDA6 |                      |
|          |               |                               | 1         | -   | -   | -   | 2965582  | QMH                  |
|          |               |                               | 1         | -   | -   | -   | 3093871  | VEE1                 |
|          |               |                               | 1         | -   | -   | -   | 3558049  | LTJ                  |
|          |               |                               | 1         | -   | -   | -   | 3230227  | 3323432 QB26         |
|          |               |                               | -         | (1) | -   | 1   |  |                      |
|          | 17218-ZE1-821 | .....                         | 1         | -   | -   | -   |  | KRS4                 |
| 4        | 17230-ZE0-820 | COVER, AIR CLEANER (DUAL) ... | 1         | -   | -   | -   | HH,HHQ4,HTF2,HT2,HX,HXQ,HXU,HX2,HX26,HX4,KRF4,LAJ4,LE,LEH4,LH,LHQ4,LJD2,LJT,LTA,LTS,LX,LXU,LX2,LX26,LX4,PH,PX,PX2,QAA2,QBU2,QE,QEH,QH,QHQ4,QH2,QH26,QJG2,QJW1,QLL,QMA4,QMA8,QMX2,QPU,QTC2,QWA4,QX,QXG,QXG2,QXQ,QXS,QXS2,QXU,QX2,QX26,QX4,QX7,RH,RHC,RHQ4,RX,RX4,SAD2,SAJ4,SE,SG24,SH,SHQ4,SJD2,SMA7,SMJ,SMW2,SM11,SM12,SM14,SSK1,SSK2,SSK3,SSX2,SSX4,STP,SWX2,SWX4,SW2,SX,SXS4,SX4,SX7,TH,TX,TX2,TX26,TX4,UH,UX,UXU,VA,VAX4,VEK,VEX,VEX7,VH,VMS4,VS,VSX,VSX1,VS1,VX,VXU,VX4,VX7,WDA6 |                      |
|          |               |                               | 1         | -   | -   | -   | 2965582  | QMH                  |
|          |               |                               | 1         | -   | -   | -   | 3093871  | VEE1                 |
|          |               |                               | 1         | -   | -   | -   | 3230227  | QB26                 |
|          |               |                               | 1         | -   | -   | -   | 3558049  | LTJ                  |
|          |               |                               | -         | (1) | -   | 1   |  |                      |
|          | 17230-ZE1-820 | .....                         | 1         | -   | -   | -   |  | KRS4                 |

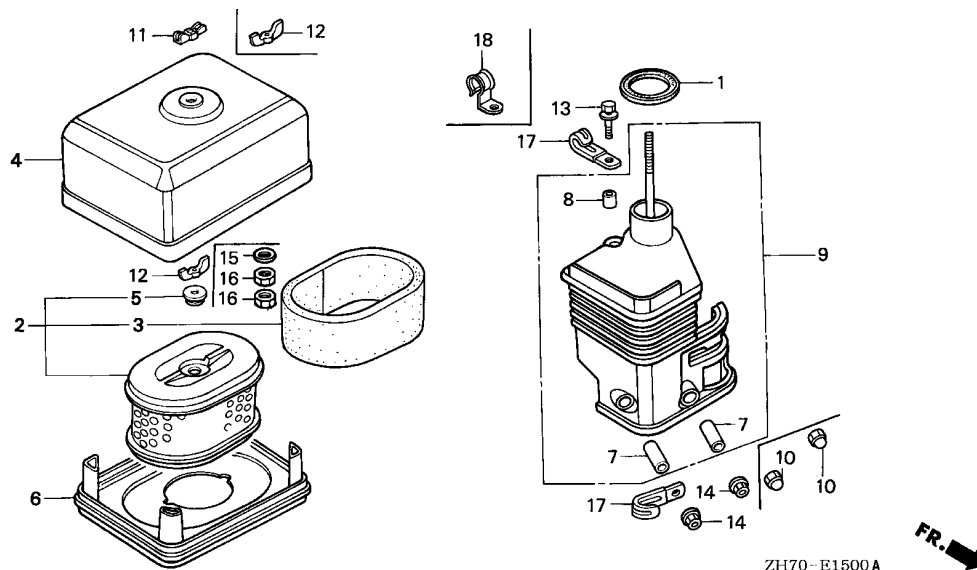
| Ref. No. | Part No.      | Description                 | Reqd. QTY |     |     |     | Serial No. | Parts catalogue code  |
|----------|---------------|-----------------------------|-----------|-----|-----|-----|------------|---|
|          |               |                             | (1)       | (2) | (3) | (4) |            |   |
| 5        | 17232-891-000 | GROMMET, AIR CLEANER .....  | 1         | -   | -   | -   | -----      | HH,HHQ4,HTF2,HT2,HX,HXQ,HXU,HX2,HX26,HX4,KRF4,KRS4,LAJ4,LE<br>LEH4,LH,LHQ4,LJD2,LJT,LTA,LTS,LX,LXU,LX2,LX26,LX4,PH,PX,PX2<br>QAA2,QBU2,QE,QEH,QH,QHQ4,QH2,QH26,QJG2,QJW1,QLL,QMA4,QMA8,QMX2<br>QPU,QTC2,QWA4,QX,QXG,QXG2,QXQ,QXS,QXS2,QXU,QX2,QX26,QX4,QX7,RH<br>RHC,RHQ4,RX,RX4,SAD2,SAJ4,SE,SG24,SH,SHQ4,SJD2,SMA7,SMJ,SMW2<br>SM11,SM12,SM14,SSK1,SSK2,SSK3,SSX2,SSX4,STP,SWX2,SWX4,SW2,SX<br>SXS4,SX4,SX7,TH,TX,TX2,TX26,TX4,UH,UX,UXU,VA,VAX4,VEK,VEX,VEX7<br>VH,VMS4,VS,VSX,VSX1,VS1,VX,VXU,VX4,VX7,WDA6      |
|          |               |                             | 1         | -   | -   | -   | 2965582    | ----- QMH   |
|          |               |                             | 1         | -   | -   | -   | 3093871    | ----- VEE1  |
|          |               |                             | 1         | -   | -   | -   | 3558049    | ----- LTJ   |
|          |               |                             | 1         | -   | -   | -   | 3230227    | 3323432 QB26  |
|          |               |                             | -         | (1) | -   | 1   |            |   |
| 6        | 17235-ZE1-830 | NOSE, SILENCER .....        | 1         | -   | -   | -   | -----      | 2535087 QMA8,SMA7   |
|          |               |                             | 1         | -   | -   | -   | -----      | 2538119 SSK1,SSK3   |
|          |               |                             | 1         | -   | -   | -   | -----      | 2555889 LE,QE,QLL,SE  |
|          |               |                             | -         | (1) | -   | -   | -----      | H1,L1,R1,U1,V1,W1   |
|          |               |                             | -         | (1) | -   | -   | -----      | 2549774 Q1,S1   |
|          | 17235-ZE1-831 | .....                       | 1         | -   | -   | -   | -----      | KRS4,LJD2,QBU2,QTC2,QWA4,QX7,SAD2,SG24,SJD2,SM11,SM12,SM14<br>SSX2,SSX4,STP,SX7,VEK,VEX7,VMS4,VX7   |
|          |               |                             | 1         | -   | -   | -   | 2535088    | ----- QMA8,SMA7   |
|          |               |                             | 1         | -   | -   | -   | 2538120    | ----- SSK1,SSK3   |
|          |               |                             | 1         | -   | -   | -   | 2555890    | ----- LE,QE,QLL,SE  |
|          |               |                             | 1         | -   | -   | -   | 3093871    | ----- VEE1  |
|          |               |                             | 1         | -   | -   | -   | 2622722    | QMX2,SSK2   |
|          |               |                             | -         | (1) | -   | -   | 2549775    | ----- Q1,S1   |
| 7        | 17238-ZE0-010 | COLLAR, AIR CLEANER .....   | 2         | -   | -   | -   | -----      | HH,HHQ4,HTF2,HT2,HX,HXQ,HXU,HX2,HX26,HX4,KRF4,LAJ4,LE,LEH4,LH<br>LHQ4,LJD2,LJT,LTA,LTS,LX,LXU,LX2,LX26,LX4,PH,PX,PX2,QAA2,QBU2<br>QB26,QE,QEH,QH,QHQ4,QH2,QH26,QJG2,QJW1,QLL,QMA4,QMA8,QMX2,QPU<br>QTC2,QWA4,QX,QXG,QXG2,QXQ,QXS,QXS2,QXU,QX2,QX26,QX4,QX7,RH,RHC<br>RHQ4,RX,RX4,SAD2,SAJ4,SE,SG24,SH,SHQ4,SJD2,SMA7,SMJ,SMW2,SM11<br>SM12,SM14,SSK1,SSK2,SSK3,SSX2,SSX4,STP,SWX2,SWX4,SW2,SX,SXS4<br>SX4,SX7,TH,TX,TX2,TX26,TX4,UH,UX,UXU,VA,VAX4,VEK,VEX,VEX7,VH<br>VMS4,VS,VSX,VSX1,VS1,VX,VXU,VX4,VX7,WDA6      |
|          |               |                             | 2         | -   | -   | -   | 2965582    | ----- QMH   |
|          |               |                             | 2         | -   | -   | -   | 3093871    | ----- VEE1  |
|          |               |                             | 2         | -   | -   | -   | 3558049    | ----- LTJ   |
|          |               |                             | -         | (2) | -   | 2   |            |   |
|          | 17238-ZE7-010 | .....                       | 2         | -   | -   | -   | -----      | KRS4  |
| 8        | 17239-ZE1-000 | COLLAR B, AIR CLEANER ..... | 1         | -   | -   | -   | -----      | HH,HHQ4,HTF2,HT2,HX,HXQ,HXU,HX2,HX26,HX4,KRF4,KRS4,LAJ4,LE<br>LEH4,LH,LHQ4,LJD2,LJT,LTA,LTS,LX,LXU,LX2,LX26,LX4,PH,PX,PX2<br>QAA2,QBU2,QB26,QE,QEH,QH,QHQ4,QH2,QH26,QJG2,QJW1,QLL,QMA4,QMA8<br>QMX2,QPU,QTC2,QWA4,QX,QXG,QXG2,QXQ,QXS,QXS2,QXU,QX2,QX26,QX4<br>QX7,RH,RHC,RHQ4,RX,RX4,SAD2,SAJ4,SE,SG24,SH,SHQ4,SJD2,SMA7,SMJ<br>SMW2,SM11,SM12,SM14,SSK1,SSK2,SSK3,SSX2,SSX4,STP,SWX2,SWX4,SW2<br>SX,SXS4,SX4,SX7,TH,TX,TX2,TX26,TX4,UH,UX,UXU,VA,VAX4,VEK,VEX<br>VEX7,VH,VMS4,VS,VSX,VSX1,VS1,VX,VXU,VX4,VX7,WDA6 |
|          |               |                             | 1         | -   | -   | -   | 2965582    | ----- QMH   |
|          |               |                             | 1         | -   | -   | -   | 3093871    | ----- VEE1  |
|          |               |                             | 1         | -   | -   | -   | 3558049    | ----- LTJ   |
|          |               |                             | -         | (1) | -   | 1   |            |   |



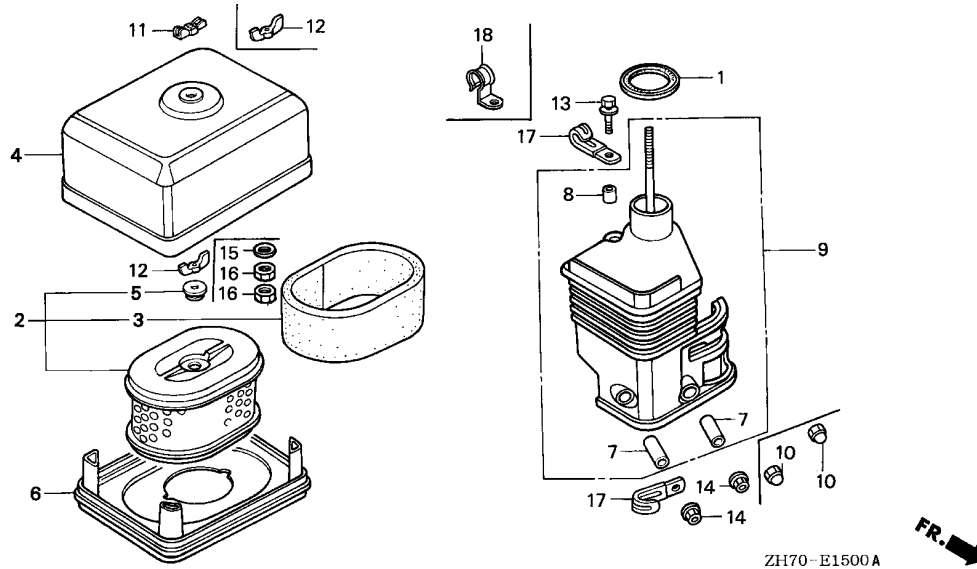
| Ref. No. | Part No.      | Description                            | Reqd. QTY |     |     |     | Serial No.  | Parts catalogue code  |
|----------|---------------|--|-----------|-----|-----|-----|---|---|
|          |               |  | (1)       | (2) | (3) | (4) |   |   |
| 9        | 17410-ZE0-030 | ELBOW COMP., AIR CLEANER               | 1         | -   | -   | -   | HH,HHQ4,HTF2,HT2,HX,HXQ,HXU,HX2,HX26,HX4,KRF4,LAJ4,LE,LEH4,LH,LHQ4,LJD2,LJT,LTA,LTS,LX,LXU,LX2,LX26,LX4,PH,PX,PX2,QAA2,QBU2,QB26,QE,QEH,QH,QHQ4,QH2,QH26,QJG2,QJW1,QLL,QMA4,QMA8,QMX2,QPU,QTC2,QWA4,QX,QXG,QXG2,QXQ,QXS,QXS2,QXU,QX2,QX26,QX4,QX7,RH,RHC,RHQ4,RX,RX4,SAD2,SAJ4,SE,SG24,SH,SHQ4,SJD2,SMA7,SMJ,SMW2,SM11,SM12,SM14,SSK1,SSK2,SSK3,SSX2,SSX4,STP,SWX2,SWX4,SW2,SX,SXS4,SX4,SX7,TH,TX,TX2,TX26,TX4,UH,UX,UXU,VA,VAX4,VEK,VEX,VEX7,VH,VMS4,VS,VSX,VSX1,VS1,VX,VXU,VX4,VX7,WDA6 |   |
|          |               |  | 1         | -   | -   | -   | 2965582   | QMH   |
|          |               |  | 1         | -   | -   | -   | 3093871   | VEE1  |
|          |               |  | 1         | -   | -   | -   | 3558049   | LTJ   |
|          | 17410-ZE1-020 | .....                                  | -         | (1) | -   | 1   |   | KRS4  |
| 10       | 90201-415-000 | NUT, CAP, 6MM                          | 2         | -   | -   | -   | 2299856   | HH,HX,HXQ,HX2,LE,LH,LTA,LX,LX2,PH,PX,QE,QEH,QH,QH2,QX,QXG,QXG2,QXQ,QXS,QXS2,QX2,RH,RX,SE,SH,SMJ,SW2,SX,TH,TX,TX2,UH,UX,VA,VEX,VH,VS,VSX,VSX1,VS1,VX |
|          |               |  | -         | 2   | -   | -   | 2299856   |   |
| 11       | 90203-PB2-000 | NUT, AIR CLEANER COVER (DACRO COATING) | 1         | -   | -   | -   | 2185869   | HH,HX,LE,LH,LX,PH,PX,QE,QEH,QH,QX,QXG,QXS,RH,RX,SE,SH,SMJ,SW2,SX,TH,TX,UH,UX,VA,VH,VS,VSX,VX  |
|          |               |  | -         | (1) | -   | -   | 2185869   |   |

| Ref. No. | Part No.       | Description                 | Reqd. QTY |                |       |     | Serial No. | Parts catalogue code  |  |
|----------|----------------|-----------------------------|-----------|----------------|-------|-----|------------|---|--|
|          |                |                             | (1)       | GX120K1<br>(2) | (3)   | (4) |            |   |  |
| 11)      | 90203-ZA0-800  | NUT, WING, 6MM(BLACK) ..... | 1         | -              | -     | -   | 2299856    | HXQ,HX2,LX2,QH2,QXG2,QXQ,QXS2,QX2,TX2   |  |
|          |                |                             | 1         | -              | -     | -   | 2336263    | LTA,VEX,VSX1,VS1  |  |
|          |                |                             | 1         | -              | -     | -   | 2185870    | HX,QX,QXG,QXS,TX  |  |
|          |                |                             | 1         | -              | -     | -   | 2185870    | 2336263   | HH,LE,LH,LX,PH,PX,QE,QEH,QH,RH,RX,SE,SH,SMJ,SW2,SX,TH,UH,UX,VA<br>VH,VS,VSX,VX   |
|          |                |                             | -         | (1)            | -     | -   | 2185870    | 2336263   |  |
| 12       | 90325-044-000  | NUT, TOOL BOX SETTING ..... | 1         | (1)            | -     | -   | 2336263    | H1,LTA,LX,PH,PX,Q1,RX,R1,SMJ,SX,TH,UH,UX,U1,VH,VX,V1,W1   |  |
|          |                |                             | 1         | -              | -     | -   | -----      | QJW1,SSK1,SSK3,STP  |  |
|          |                |                             | 1         | -              | -     | -   | 2299856    | HXQ,HX2,LX2,QH2,QXG2,QXQ,QXS2,QX2,TX2   |  |
|          |                |                             | 1         | -              | -     | -   | 2329087    | HX,QX,QXG,QXS,TX  |  |
|          |                |                             | 1         | -              | -     | -   | 3230226    | QB26  |  |
|          |                |                             | 1         | -              | -     | -   | 3558048    | LJT   |  |
|          |                |                             | 2         | -              | -     | -   | 3230227    | 3323432   | QB26   |
|          |                |                             | 1         | -              | -     | -   | -----      | LJT,QJW1,SJC1,SSK1,SSK3,STP   |  |
|          |                |                             | 1         | -              | -     | -   | 3323433    | QB26  |  |
|          |                |                             | 2         | -              | -     | -   | -----      | HHQ4,HTF2,HT2,HXU,HX26,HX4,KRF4,KRS4,LAJ4,LEH4,LHQ4,LJD2,LTS<br>LXU,LX26,LX4,PX2,QAA2,QBU2,QH4,QH26,QJG2,QLL,QMA4,QMA8,QMX2<br>QPU,QTC2,QWA4,QXU,QX26,QX4,QX7,RHC,RHQ4,RX4,SAD2,SAJ4,SG24<br>SHQ4,SJD2,SMA7,SMW2,SM11,SM12,SM14,SSK2,SSX2,SSX4,SWX2,SWX4<br>SXS4,SX4,SX7,TX26,TX4,UXU,VAX4,VEK,VEX7,VMS4,VXU,VX4,VX7,WDA6 |  |
|          |                |                             | 2         | -              | -     | -   | 2299857    | -----   | HXQ,HX2,LX2,QH2,QXG2,QXQ,QXS2,QX2,TX2  |
|          |                |                             | 2         | -              | -     | -   | 2329088    | -----   | HX,QX,QXG,QXS,TX   |
|          |                |                             | 2         | -              | -     | -   | 2336264    | -----   | HH,LE,LH,LTA,LX,PH,PX,QE,QEH,QH,RH,RX,SE,SH,SMJ,SW2,SX,TH,UH<br>UX,VA,VEX,VH,VS,VSX,VSX1,VS1,VX  |
|          |                |                             | 2         | -              | -     | -   | 2965582    | -----   | QMH  |
|          |                |                             | 2         | -              | -     | -   | 3093871    | -----   | VEE1   |
| 2        | -              | -                           | -         | 3558049        | ----- | LTJ |            |   |  |
| -        | (2)            | -                           | -         | 2336264        | ----- |     |            |   |  |
| 13       | 93494-06020-08 | BOLT-WASHER, 6X20 .....     | 1         | -              | -     | -   | -----      | HH,HXU,LE,LH,LX,LXU,PH,PX,QE,QEH,QH,QXU,RH,RX,SE,SH,SW2,SX,TH<br>UH,UX,UXU,VA,VH,VS,VSX,VXU   |  |
|          |                |                             | -         | 1              | -     | 1   | -----      |   |  |
|          |                |                             | 1         | -              | -     | -   | 2519854    | HHQ4,HX,HXQ,HX2,HX4,LHQ4,LTA,LX2,LX4,QAA2,QHQ4,QH2,QLL,QPU,QX<br>QXG,QXG2,QXQ,QXS,QXS2,QX2,QX4,RHC,RHQ4,RX4,SHQ4,SMJ,SSK1,SX4<br>TX,TX2,TX4,VEX,VSX1,VS1,VX4  |  |
|          |                |                             | 1         | -              | -     | -   | -----      | HTF2,HT2,HX26,KRF4,KRS4,LAJ4,LEH4,LJD2,LJT,LTS,LX26,PX2,QBU2<br>QB26,QH26,QJG2,QJW1,QMA4,QMA8,QMX2,QTC2,QWA4,QX26,QX7,SAD2<br>SAJ4,SG24,SJD2,SMA7,SMW2,SM11,SM12,SM14,SSK2,SSK3,SSX2,SSX4<br>STP,SWX2,SWX4,SXS4,SX7,TX26,VAX4,VEK,VEX7,VMS4,VX,VX7,WDA6   |  |
|          |                |                             | 1         | -              | -     | -   | 2519855    | -----   | HHQ4,HX,HXQ,HX2,HX4,LHQ4,LTA,LX2,LX4,QAA2,QHQ4,QH2,QLL,QPU,QX<br>QXG,QXG2,QXQ,QXS,QXS2,QX2,QX4,RHC,RHQ4,RX4,SHQ4,SMJ,SSK1,SX4<br>TX,TX2,TX4,VEX,VSX1,VS1,VX4 |
|          |                |                             | 1         | -              | -     | -   | 2965582    | -----   | QMH  |
|          |                |                             | 1         | -              | -     | -   | 3093871    | -----   | VEE1   |
|          |                |                             | 1         | -              | -     | -   | 3558049    | -----   | LTJ  |
|          |                |                             | 1         | -              | -     | -   | -----      |   |  |
|          |                |                             | 1         | -              | -     | -   | -----      |   |  |





| Ref. No. | Part No.    | Description              | Reqd. QTY |     |     |         | Serial No. | Parts catalogue code  |
|----------|-------------|--------------------------|-----------|-----|-----|---------|------------|---|
|          |             |                          | (1)       | (2) | (3) | (4)     |            |   |
| 14       | 94050-06000 | NUT, FLANGE, 6MM .....   | 2         | -   | -   | -       | -----      | HHQ4,HTF2,HT2,HXU,HX26,HX4,KRF4,KRS4,LAJ4,LEH4,LHQ4,LJD2,LJT<br>LTS,LXU,LX26,LX4,PX2,QAA2,QBU2,QB26,QHQ4,QH26,QJG2,QJW1,QLL<br>QMA4,QMA8,QMX2,QPU,QTC2,QWA4,QXU,QX26,QX4,QX7,RHQ4,RX4,SAD2<br>SAJ4,SG24,SHQ4,SJD2,SMA7,SMW2,SM11,SM12,SM14,SSK1,SSK2,SSK3<br>SSX2,SSX4,STP,SWX2,SWX4,SXS4,SX4,SX7,TX26,TX4,UXU,VAX4,VEK<br>VEX7,VMS4,VXU,VX4,VX7,WDA6 |
|          |             |                          | 2         | -   | -   | 2299857 | -----      | HH,HX,HXQ,HX2,LE,LH,LTA,LX,LX2,PH,PX,QE,QEH,QH,QH2,QX,QXG,QXG2<br>QXQ,QXS,QXS2,QX2,RH,RHC,RX,SE,SH,SMJ,SW2,SX,TH,TX,TX2,UH,UX,VA<br>VEX,VH,VS,VSX,VSX1,VS1,VX   |
|          |             |                          | 2         | -   | -   | 2965582 | -----      | QMH   |
|          |             |                          | 2         | -   | -   | 3093871 | -----      | VEE1  |
|          |             |                          | 2         | -   | -   | 3558049 | -----      | LTJ   |
|          |             |                          | -         | 2   | -   | 2299857 | -----      |   |
|          |             |                          | -         | -   | -   | 2       | -----      |   |
| 15       | 94101-06800 | WASHER, PLAIN, 6MM ..... | 1         | -   | -   | -       | -----      | HXU,LXU,QXU,UXU,VXU   |
|          |             |                          | 2         | -   | -   | -       | -----      | HHQ4,HTF2,HX26,HX4,LAJ4,LEH4,LHQ4,LJT,LTS,LX26,LX4,PX2,QAA2<br>QBU2,QB26,QHQ4,QH26,QJG2,QJW1,QLL,QMA4,QMA8,QMX2,QPU,QTC2,QWA4<br>QX26,QX4,RHQ4,RX4,SAD2,SAJ4,SG24,SHQ4,SMA7,SMW2,SM11,SM12,SSK1<br>SSK2,SSK3,SSX2,SSX4,STP,SWX2,SWX4,SXS4,SX4,TX26,TX4,VAX4,VX4<br>WDA6   |
|          |             |                          | 2         | -   | -   | 2299857 | -----      | HH,HX,HXQ,HX2,LE,LH,LTA,LX,LX2,PH,PX,QE,QEH,QH,QH2,QX,QXG,QXG2<br>QXQ,QXS,QXS2,QX2,RH,RHC,RX,SE,SH,SMJ,SW2,SX,TH,TX,TX2,UH,UX,VA<br>VEX,VH,VS,VSX,VSX1,VS1,VX   |
|          |             |                          | 2         | -   | -   | 2965582 | -----      | QMH   |
|          |             |                          | 2         | -   | -   | 3093871 | -----      | VEE1  |
|          |             |                          | 2         | -   | -   | 3558049 | -----      | LTJ   |
|          |             |                          | -         | 2   | -   | 2299857 | -----      |   |
|          |             |                          | -         | -   | -   | 1       | -----      |   |



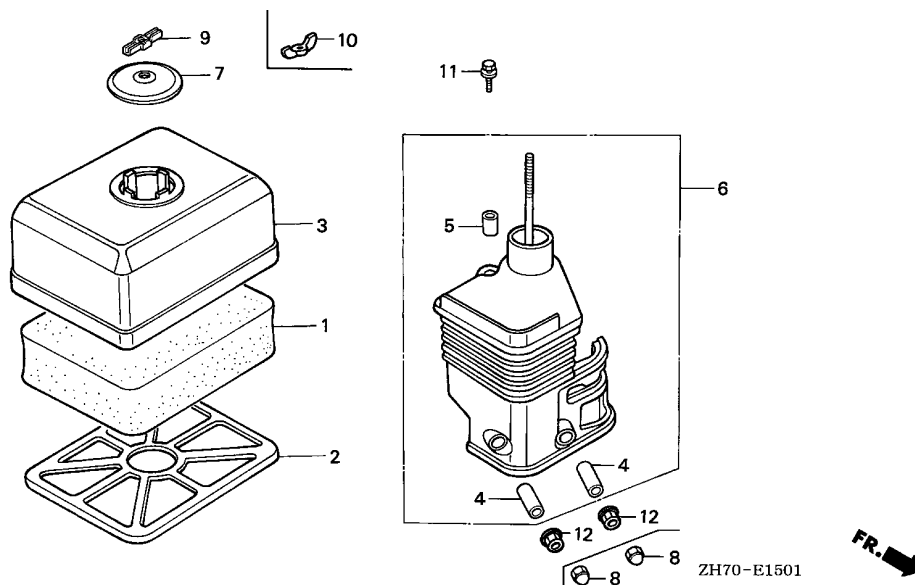
| Ref. No. | Part No.       | Description              | Reqd. QTY |     |     |     | Serial No. | Parts catalogue code |
|----------|----------------|--------------------------|-----------|-----|-----|-----|------------|----------------------|
|          |                |                          | (1)       | (2) | (3) | (4) |            |                      |
|          |                |                          | GX120K1   |     |     |     |            |                      |
| 16       | 94001-06000-0S | NUT, HEX., 6MM .....     | 2         | -   | -   | -   | 3323433    | ----- QB26           |
| 17       | 91403-881-000  | CLIP B, CORD .....       | 2         | -   | -   | -   | 2368680    | ----- LTA            |
|          | 35210-MA6-000  | CLAMP, SWITCH CORD ..... | 2         | -   | -   | -   | 2368681    | ----- LTA            |
| 18       | 16106-KW7-900  | CLIP B, TUBE .....       | 1         | -   | -   | -   | -----      | ----- KRS4           |



E-15-1

AIR CLEANER(2)

J 2



| Ref. No. | L.O.N. | (Relative ref. Number) Description | F.R.T. |
|----------|--------|------------------------------------|--------|
| 1        | 3121B8 | ELEMENT, AIR CLEANER .....         | 0.1    |
| 6        | 3121B4 | ELBOW, AIR CLEANER .....           | 0.1    |

| Ref. No. | Part No.      | Description                     | Reqd. QTY |     |     |     | Serial No. | Parts catalogue code   |
|----------|---------------|---------------------------------|-----------|-----|-----|-----|------------|--|
|          |               |                                 | (1)       | (2) | (3) | (4) |            |  |
| 1        | 17211-ZE1-000 | ELEMENT, AIR CLEANER (SEMI DRY) | 1         | -   | 1   | -   | -----      | DS,EN,ET,ETX,LD,LDB1,LDB3,LD4,LJ,LJC,LJS,LSJ,LSJ4,LTR,PM,PM2 |
|          |               |                                 | 1         | -   | -   | -   | -----      | QD,QM,QSJ,RD,RD4,SAJ,SCJ,SD,SDB1,SDB3,SD16,SD4,SJ,SJC,SJC1   |
|          |               |                                 | -         | (1) | -   | -   | -----      | SJC5,SKJ,SKR,SN,UIH,VED,VED1,VED6,VET,WDJ,WD12,WIH1,WJ,WJP   |
|          |               |                                 | 1         | -   | -   | -   | -----      | WJP1,WJ1,WKD6,WKT2,WKT4,WKT6,WMA3,WME2,WME4,WM1              |
| 2        | 17212-ZE1-000 | GRID, AIR CLEANER (SEMI DRY)    | 1         | -   | 1   | -   | -----      | DS,EN,ET,ETX,LD,LDB1,LDB3,LD4,LJ,LJC,LJS,LSJ,LSJ4,LTR,PM,PM2 |
|          |               |                                 | 1         | -   | -   | -   | -----      | QD,QM,QSJ,RD,RD4,SAJ,SCJ,SD,SDB1,SDB3,SD16,SD4,SJ,SJC,SJC1   |
|          |               |                                 | -         | (1) | -   | -   | -----      | SJC5,SKJ,SKR,SN,UIH,VED,VED1,VED6,VET,WDJ,WD12,WIH1,WJ,WJP   |
|          |               |                                 | 1         | -   | -   | -   | -----      | WJP1,WJ1,WKD6,WKT2,WKT4,WKT6,WMA3,WME2,WME4,WM1              |
| 3        | 17231-ZE0-000 | COVER, AIR CLEANER (SEMI DRY)   | 1         | -   | 1   | -   | -----      | DS,EN,ET,ETX,LD,LDB1,LDB3,LD4,LJ,LJC,LJS,LSJ,LSJ4,LTR,PM,PM2 |
|          |               |                                 | 1         | -   | -   | -   | -----      | QD,QM,QSJ,RD,RD4,SAJ,SCJ,SD,SDB1,SDB3,SD16,SD4,SJ,SJC,SJC1   |
|          |               |                                 | -         | (1) | -   | -   | -----      | SJC5,SKJ,SKR,SN,UIH,VED,VED1,VED6,VET,WDJ,WD12,WIH1,WJ,WJP   |
|          |               |                                 | 1         | -   | -   | -   | -----      | WJP1,WJ1,WKD6,WKT2,WKT4,WKT6,WMA3,WME2,WME4,WM1              |
| 4        | 17238-ZE0-010 | COLLAR, AIR CLEANER .....       | 2         | -   | 2   | -   | -----      | DS,EN,ET,ETX,LD,LDB1,LDB3,LD4,LJ,LJC,LJS,LSJ,LSJ4,LTR,PM,PM2 |
|          |               |                                 | 2         | -   | -   | -   | -----      | QD,QM,QSJ,RD,RD4,SAJ,SCJ,SD,SDB1,SDB3,SD16,SD4,SJ,SJC,SJC1   |
|          |               |                                 | -         | (1) | -   | -   | -----      | SJC5,SKJ,SKR,SN,UIH,VED,VED1,VED6,VET,WDJ,WD12,WIH1,WJ,WJP   |
|          |               |                                 | 2         | -   | -   | -   | -----      | WJP1,WJ1,WKD6,WKT2,WKT4,WKT6,WMA3,WME2,WME4,WM1              |

2

E-15-1

AIR CLEANER(2)



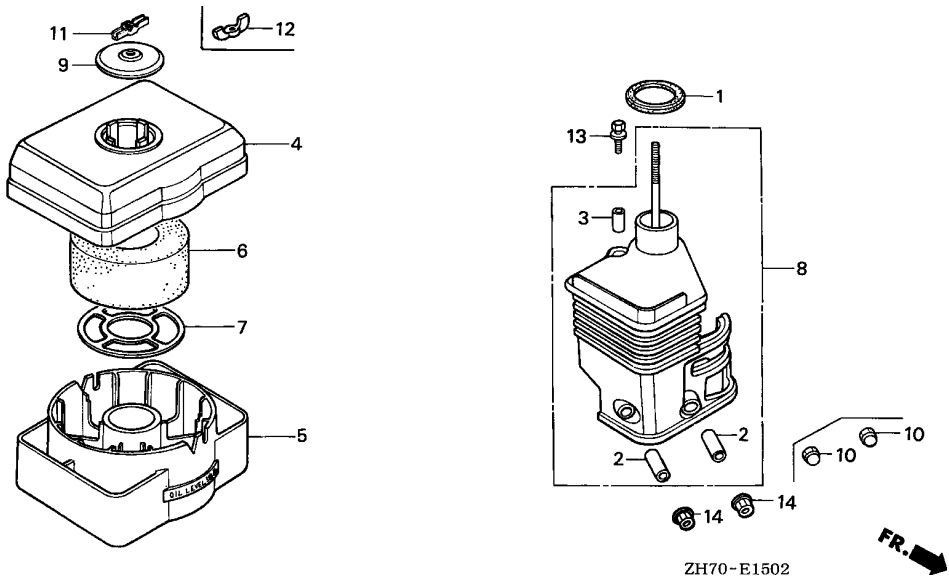
| Ref. No. | Part No.       | Description                               | Reqd. QTY |                |     |     | Serial No.   | Parts catalogue code |
|----------|----------------|---|-----------|----------------|-----|-----|--|----------------------|
|          |                |   | (1)       | GX120K1<br>(2) | (3) | (4) |  |                      |
| 5        | 17239-ZE1-000  | COLLAR B, AIR CLEANER .....               | 1         | -              | 1   | -   | DS,EN,ET,ETX,LD,LDB1,LDB3,LD4,LJ,LJC,LJS,LSJ,LSJ4,LTR,PM,PM2,QD,QM,QSJ,RD,RD4,SAJ,SCJ,SD,SDB1,SDB3,SD16,SD4,SJ,SJC,SJC1,SJC5,SKJ,SKR,SN,UIH,VED,VED1,VED6,VET,WDJ,WD12,WIH1,WJ,WJP,WJP1,WJ1,WKD6,WKT2,WKT4,WKT6,WMA3,WME2,WME4,WM1 |                      |
|          |                |   | 1         | -              | -   | -   | 3093870 VEE1   |                      |
|          |                |   | 1         | -              | -   | -   | 3558048 LTJ  |                      |
|          |                |   | -         | (1)            | -   | -   |  |                      |
| 6        | 17410-ZE0-030  | ELBOW COMP., AIR CLEANER ....             | 1         | -              | 1   | -   | DS,EN,ET,ETX,LD,LDB1,LDB3,LD4,LJ,LJC,LJS,LSJ,LSJ4,LTR,PM,PM2,QD,QM,QSJ,RD,RD4,SAJ,SCJ,SD,SDB1,SDB3,SD16,SD4,SJ,SJC,SJC1,SJC5,SKJ,SKR,SN,UIH,VED,VED1,VED6,VET,WDJ,WD12,WIH1,WJ,WJP,WJP1,WJ1,WKD6,WKT2,WKT4,WKT6,WMA3,WME2,WME4,WM1 |                      |
|          |                |   | 1         | -              | -   | -   | 3093870 VEE1   |                      |
|          |                |   | 1         | -              | -   | -   | 3558048 LTJ  |                      |
|          |                |   | -         | (1)            | -   | -   |  |                      |
|          | 17410-ZE0-811  | .....                                     | -         | (1)            | -   | -   | H1,Q1,R1,U1,V1,W1  |                      |
| 7        | 17421-ZE1-000  | CAP, CLEANER .....                        | 1         | -              | 1   | -   | DS,EN,ET,ETX,LD,LDB1,LDB3,LD4,LJ,LJC,LJS,LSJ,LSJ4,LTR,PM,PM2,QD,QM,QSJ,RD,RD4,SAJ,SCJ,SD,SDB1,SDB3,SD16,SD4,SJ,SJC,SJC5,SKJ,SKR,SN,UIH,VED,VED1,VED6,VET,WDJ,WD12,WIH1,WJ,WJP,WJP1,WJ1,WKD6,WKT2,WKT4,WKT6,WMA3,WME2,WME4,WM1      |                      |
|          |                |   | 1         | -              | -   | -   | 3093870 VEE1   |                      |
|          |                |   | 1         | -              | -   | -   | 3558048 LTJ  |                      |
|          |                |   | -         | (1)            | -   | -   |  |                      |
| 8        | 90201-415-000  | NUT, CAP, 6MM .....                       | 2         | -              | -   | -   | 2299856 DS,EN,ET,ETX,LD,LJ,LTJ,PM,PM2,QD,QM,QSJ,RD,SD,SJ,SKJ,SN,VED,VED1,VET,WJ  |                      |
|          |                |   | -         | 2              | -   | -   | 2299856  |                      |
|          |                |   | -         | -              | 2   | -   | UIH  |                      |
| 9        | 90203-PB2-000  | NUT, AIR CLEANER COVER<br>(DACRO COATING) | 1         | -              | -   | -   | 2185869 EN,ET,ETX,LD,PM,PM2,QD,QM,RD,SD,SN,VED,VED1  |                      |
|          |                |   | -         | (1)            | -   | -   | 2185869  |                      |
|          | 90203-ZA0-800  | NUT, WING, 6MM(BLACK) .....               | 1         | -              | 1   | -   | 2336263 LTJ,SKJ,UIH  |                      |
|          |                |   | 1         | -              | -   | -   | 2185870 2336263 DS,EN,ET,ETX,LD,LJ,PM,PM2,QD,QM,QSJ,RD,SD,SJ,SN,VED,VED1,VET,WJ  |                      |
|          |                |   | -         | (1)            | -   | -   | 2185870 2336263  |                      |
| 10       | 90325-044-000  | NUT, TOOL BOX SETTING .....               | 1         | -              | 1   | -   | LDB1,LDB3,LD4,LJC,LJS,LSJ,LSJ4,LTR,RD4,SAJ,SCJ,SDB1,SDB3,SD16,SD4,SJC,SJC1,SJC5,SKR,VED6,WDJ,WD12,WIH1,WJP,WJP1,WJ1,WKD6,WKT2,WKT4,WKT6,WMA3,WME2,WME4,WM1   |                      |
|          |                |   | 1         | -              | 1   | -   | 2336264 DS,EN,ET,ETX,LD,LJ,PM,PM2,QD,QM,QSJ,RD,SD,SJ,SKJ,SN,UIH,VED,VED1,VET,WJ  |                      |
|          |                |   | 1         | -              | -   | -   | 3093870 VEE1   |                      |
|          |                |   | 1         | -              | -   | -   | 3558048 LTJ  |                      |
|          |                |   | -         | (1)            | -   | -   | 2336264  |                      |
| 11       | 93494-06020-08 | BOLT-WASHER, 6X20 .....                   | 1         | -              | 1   | -   | DS,LD,LJ,PM,PM2,QD,QM,RD,SD,SJ,SN,UIH,VET,WJ   |                      |
|          |                |   | -         | 1              | -   | -   |  |                      |
|          | 93404-06020-08 | .....                                     | 1         | -              | -   | -   | 2519854 EN,ET,ETX,LD4,LTJ,QSJ,RD4,SCJ,SD4,SKJ,VED,VED1,WJP   |                      |
|          | 95701-06020-00 | BOLT, FLANGE, 6X20 .....                  | 1         | -              | 1   | -   | LDB1,LDB3,LJC,LJS,LSJ,LSJ4,LTR,SAJ,SDB1,SDB3,SD16,SJC,SJC1,SJC5,SKR,VED6,WDJ,WD12,WIH1,WJP1,WJ1,WKD6,WKT2,WKT4,WKT6,WMA3,WME2,WME4,WM1   |                      |
|          |                |   | 1         | -              | -   | -   | 2519855 EN,ET,ETX,LD4,QSJ,RD4,SCJ,SD4,SKJ,VED,VED1,WJP   |                      |
|          |                |   | 1         | -              | -   | -   | 3093870 VEE1   |                      |
|          |                |   | 1         | -              | -   | -   | 3558048 LTJ  |                      |
|          |                |   | -         | (1)            | -   | -   | 2519855  |                      |
| 12       | 94050-06000    | NUT, FLANGE, 6MM .....                    | 2         | -              | 2   | -   | LDB1,LDB3,LD4,LJC,LJS,LSJ,LSJ4,LTR,RD4,SAJ,SCJ,SDB1,SDB3,SD16,SD4,SJC,SJC1,SJC5,SKR,UIH,VED6,WDJ,WD12,WJP,WJP1,WJ1,WKD6,WKT2,WKT4,WKT6,WMA3,WME2,WME4,WM1  |                      |
|          |                |   | 2         | -              | -   | -   | 2299857 DS,EN,ET,ETX,LD,LJ,PM,PM2,QD,QM,QSJ,RD,SD,SJ,SKJ,SN,VED,VED1,VET,WJ  |                      |
|          |                |   | 2         | -              | -   | -   | 3093870 VEE1   |                      |
|          |                |   | 2         | -              | -   | -   | 2299857 3558048 LTJ  |                      |
|          |                |   | -         | 2              | -   | -   | 2299857  |                      |



# E-15-2

# AIR CLEANER(3)

**J 4**



| Ref. No. | L.O.N. | (Relative ref. Number) Description | F.R.T. |
|----------|--------|------------------------------------|--------|
| 1        | 3121E1 | PACKING, ELBOW .....               | 0.1    |
| 5        | 3121E5 | PAN, AIR CLEANER OIL .....         | 0.1    |
| 6        | 3121B8 | ELEMENT, AIR CLEANER .....         | 0.1    |
| 8        | 3121B4 | ELBOW, AIR CLEANER .....           | 0.1    |

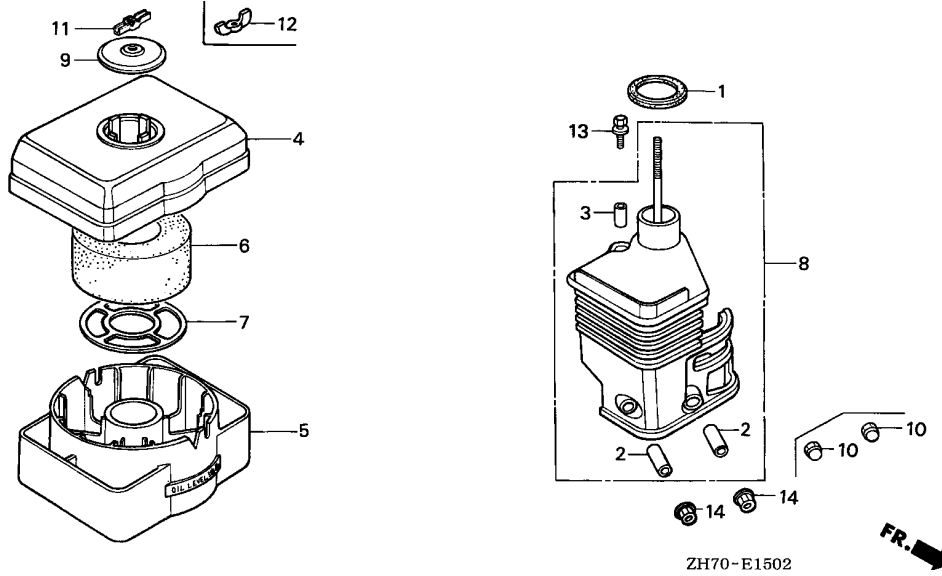
| Ref. No. | Part No.      | Description                        | Reqd. QTY |     |     |     | Serial No.                                       | Parts catalogue code |
|----------|---------------|------------------------------------|-----------|-----|-----|-----|--|----------------------|
|          |               |                                    | (1)       | (2) | (3) | (4) |  |                      |
| 1        | 16271-ZE1-000 | PACKING, ELBOW .....               | 1         | -   | 1   | -   | LTK1,LW2,QA,QA2,QA26,QIH1,QME4,QT<br>2965581 QMH |                      |
| 2        | 17238-ZE0-010 | COLLAR, AIR CLEANER .....          | 2         | (1) | -   | -   | LTK1,LW2,QA,QA2,QA26,QIH1,QME4,QT<br>2965581 QMH |                      |
| 3        | 17239-ZE1-000 | COLLAR B, AIR CLEANER .....        | 1         | (2) | -   | -   | LTK1,LW2,QA,QA2,QA26,QIH1,QME4,QT<br>2965581 QMH |                      |
| 4        | 17401-ZE1-810 | BODY, CLEANER (OIL BATH) ....      | 1         | (1) | -   | -   | LTK1,LW2,QA,QA2,QA26,QIH1,QME4,QT<br>2965581 QMH |                      |
| 5        | 17402-ZE1-810 | PAN, CLEANER OIL (OIL BATH) -      | 1         | (1) | -   | -   | LTK1,LW2,QA,QA2,QA26,QIH1,QME4,QT<br>2965581 QMH |                      |
| 6        | 17403-ZE1-810 | ELEMENT, AIR CLEANER<br>(OIL BATH) | 1         | -   | 1   | -   | LTK1,LW2,QA,QA2,QA26,QIH1,QME4,QT<br>2965581 QMH |                      |
| 7        | 17404-841-000 | GRID, AIR CLEANER .....            | 1         | (1) | -   | -   | LTK1,LW2,QA,QA2,QA26,QIH1,QME4,QT<br>2965581 QMH |                      |
| 8        | 17410-ZE0-811 | ELBOW COMP., AIR CLEANER ....      | 1         | (1) | -   | -   | LTK1,LW2,QA,QA2,QA26,QIH1,QME4,QT<br>2965581 QMH |                      |
| 9        | 17421-ZE1-000 | CAP, CLEANER .....                 | 1         | (1) | -   | -   | LTK1,LW2,QA,QA2,QA26,QIH1,QME4,QT<br>2965581 QMH |                      |

**2**

E-15-2

AIR CLEANER(3)

J 5



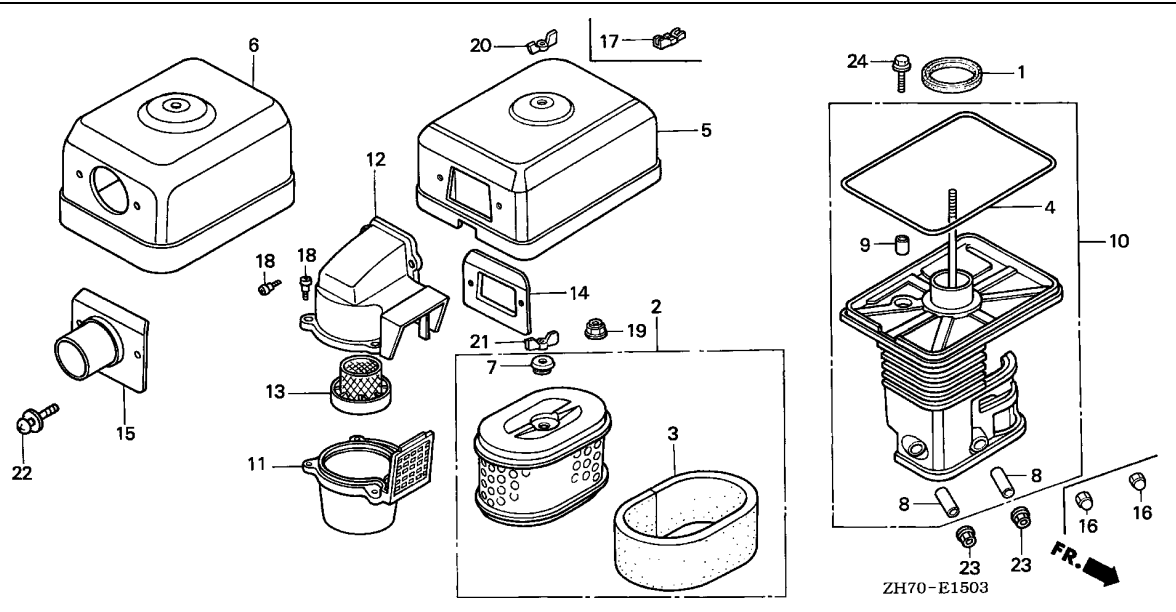
| Ref. No. | Part No.       | Description                               | Reqd. QTY |     |     |         | Serial No.            | Parts catalogue code |
|----------|----------------|---|-----------|-----|-----|---------|-----------------------|----------------------|
|          |                |   | (1)       | (2) | (3) | (4)     |                       |                      |
| 10       | 90201-415-000  | NUT, CAP, 6MM .....                       | 2         | -   | -   | -       | 2299856 LW2,QA,QA2,QT |                      |
|          |                |   | -         | 2   | -   | -       | 2299856               |                      |
| 11       | 90203-PB2-000  | NUT, AIR CLEANER COVER<br>(DACRO COATING) | 1         | -   | -   | -       | 2185869 LW2,QA,QT     |                      |
|          |                |   | -         | (1) | -   | -       | 2185869               |                      |
|          | 90203-ZA0-800  | NUT, WING, 6MM(BLACK) .....               | 1         | -   | -   | -       | QA2                   |                      |
|          |                |   | 1         | -   | -   | 2185870 | 2336263 LW2,QT        |                      |
|          |                |   | 1         | -   | -   | 2185870 | 3228266 QA            |                      |
|          |                |   | -         | (1) | -   | 2185870 | 2336263               |                      |
| 12       | 90325-044-000  | NUT, TOOL BOX SETTING .....               | 1         | -   | 1   | -       | LTK1,QA26,QIH1,QME4   |                      |
|          |                |   | 1         | -   | -   | 2336264 | LW2,QT                |                      |
|          |                |   | 1         | -   | -   | 3228267 | QA                    |                      |
|          |                |   | 1         | -   | -   | -       | 2965581 QMH           |                      |
|          |                |   | -         | (1) | -   | 2336264 | -                     |                      |
| 13       | 93404-06020-08 | BOLT-WASHER, 6X20 .....                   | 1         | -   | -   | -       | 2519854 QA,QA2        |                      |
|          | 93494-06020-08 | .....                                     | 1         | -   | -   | -       | LW2,QT                |                      |
|          |                |   | -         | 1   | -   | -       | -                     |                      |
|          | 95701-06020-00 | BOLT, FLANGE, 6X20 .....                  | 1         | -   | 1   | -       | QA26,QIH1,QME4        |                      |
|          |                |   | 1         | -   | -   | 2519855 | QA,QA2                |                      |
|          |                |   | 1         | -   | -   | 2965581 | QMH                   |                      |
| 14       | 94050-06000    | NUT, FLANGE, 6MM .....                    | 2         | -   | 2   | -       | LTK1,QA26,QIH1,QME4   |                      |
|          |                |   | 2         | -   | -   | 2299857 | LW2,QA,QA2,QT         |                      |
|          |                |   | 2         | -   | -   | -       | 2965581 QMH           |                      |
|          |                |   | -         | 2   | -   | 2299857 | -                     |                      |

2

E-15-3

AIR CLEANER(4)

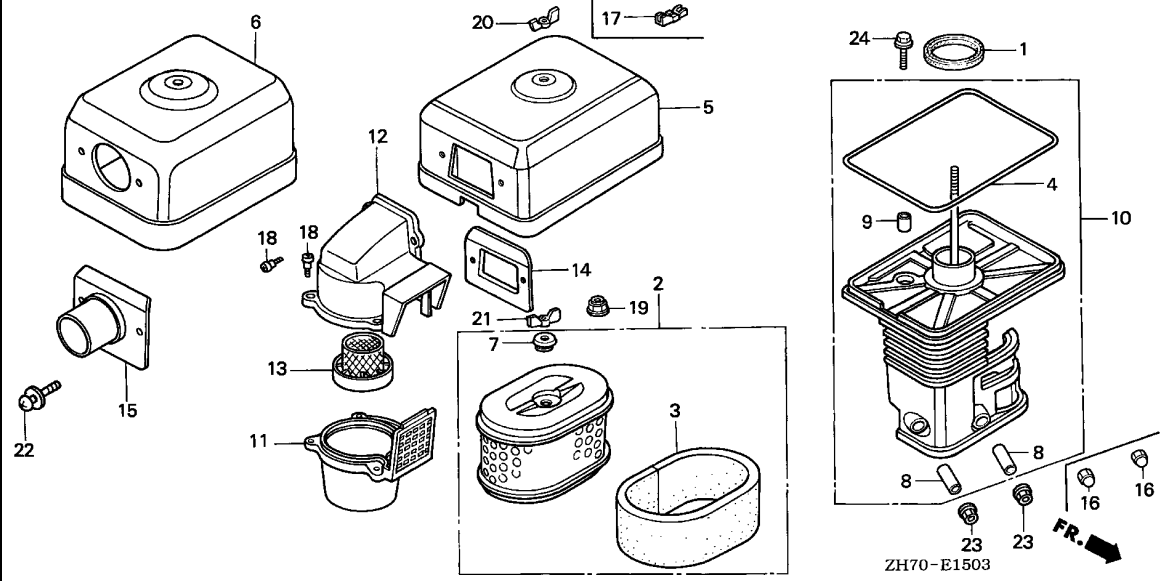
J 6



| Ref. No. | L.O.N. | (Relative ref. Number) Description | F.R.T. |
|----------|--------|------------------------------------|--------|
| 1        | 3121E1 | PACKING, ELBOW .....               | 0.1    |
| 2        | 3121B8 | ELEMENT, AIR CLEANER .....         | 0.1    |
| 3        | 3121C1 | FILTER, OUTER .....                | 0.1    |
| 4        | 3121E0 | PACKING, AIR CLEANER COVER ...     | 0.1    |
| 10       | 3121B4 | ELBOW, AIR CLEANER .....           | 0.1    |
| 11       | 3121A6 | CASE, PRE AIR CLEANER .....        | 0.1    |
| 12       | 3121A4 | CAP, PRE AIR CLEANER .....         | 0.1    |
| 13       | 3121C8 | GUIDE, PRE AIR CLEANER .....       | 0.1    |

2

| Ref. No. | Part No.      | Description                    | Reqd. QTY |     |     |     | Serial No.                 | Parts catalogue code |
|----------|---------------|--------------------------------|-----------|-----|-----|-----|----------------------------|----------------------|
|          |               |                                | (1)       | (2) | (3) | (4) |                            |                      |
| 1        | 16271-ZE1-000 | PACKING, ELBOW .....           | 1         | -   | -   | -   | QXC,QXC9,STS               |                      |
| 2        | 17210-ZE1-822 | ELEMENT, AIR CLEANER (DUAL) .. | 1         | -   | -   | -   | QXC,QXC9,STS               |                      |
| 3        | 17218-ZE1-821 | FILTER, OUTER .....            | 1         | -   | -   | -   | QXC,QXC9,STS               |                      |
| 4        | 17219-733-010 | PACKING, AIR CLEANER COVER ..  | 1         | -   | -   | -   | QXC,QXC9,STS               |                      |
| 5        | 17230-ZE1-841 | COVER, AIR CLEANER (DUAL) ...  | 1         | -   | -   | -   | QXC,QXC9                   |                      |
| 6        | 17230-ZE1-850 | COVER, AIR CLEANER .....       | 1         | -   | -   | -   | STS                        |                      |
| 7        | 17232-891-000 | GROMMET, AIR CLEANER .....     | 1         | -   | -   | -   | QXC,QXC9,STS               |                      |
| 8        | 17238-ZE0-010 | COLLAR, AIR CLEANER .....      | 2         | -   | -   | -   | QXC,QXC9,STS               |                      |
| 9        | 17239-733-000 | COLLAR B, AIR CLEANER .....    | 1         | -   | -   | -   | QXC,QXC9,STS               |                      |
| 10       | 17410-ZE0-840 | ELBOW COMP., AIR CLEANER ....  | 1         | -   | -   | -   | QXC,QXC9,STS               |                      |
| 11       | 17470-ZE1-841 | CASE, PRE AIR CLEANER .....    | -         | (1) | -   | -   | U1,V1                      |                      |
|          | 17470-ZE1-842 | .....                          | 1         | (1) | -   | -   | H1,L1,QXC,QXC9,Q1,R1,S1,W1 |                      |
| 12       | 17475-ZE1-841 | CAP, PRE AIR CLEANER .....     | 1         | -   | -   | -   | QXC,QXC9                   |                      |
| 13       | 17476-ZE1-841 | GUIDE, PRE AIR CLEANER .....   | 1         | -   | -   | -   | QXC,QXC9                   |                      |
| 14       | 17478-ZE1-841 | PLATE, PRE AIR CLEANER .....   | 1         | -   | -   | -   | QXC,QXC9                   |                      |



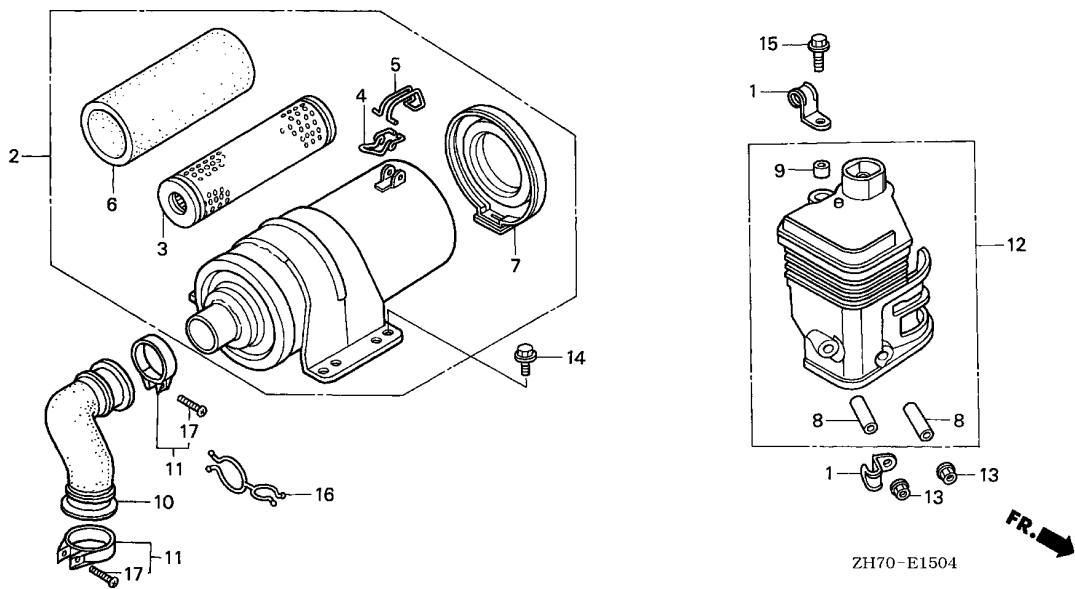
| Ref. No. | Part No.       | Description                               | Reqd. QTY |         |     |     | Serial No.                      | Parts catalogue code |
|----------|----------------|---|-----------|---------|-----|-----|---------------------------------|----------------------|
|          |                |   | (1)       | (2)     | (3) | (4) |                                 |                      |
|          |                |   |           | GX120K1 |     |     |                                 |                      |
| 15       | 17478-ZE1-850  | PLATE, PRE AIR CLEANER .....              | 1         | -       | -   | -   | ----- STS                       |                      |
| 16       | 90201-415-000  | NUT, CAP, 6MM .....                       | 2         | -       | -   | -   | ----- 2299856 QXC,STS           |                      |
| 17       | 90203-PB2-000  | NUT, AIR CLEANER COVER<br>(DACRO COATING) | 1         | -       | -   | -   | ----- 2185869 QXC               |                      |
|          |                |   | -         | (1)     | -   | -   | ----- 2185869                   |                      |
|          | 90203-ZA0-800  | NUT, WING, 6MM(BLACK) .....               | 1         | -       | -   | -   | ----- 2336263 STS               |                      |
|          |                |   | 1         | -       | -   | -   | ----- 2185870 2329087 QXC       |                      |
|          |                |   | -         | (1)     | -   | -   | ----- 2185870 2336263           |                      |
| 18       | 90300-GB0-900  | BOLT, MUDGUARD .....                      | 5         | -       | -   | -   | ----- QXC,QXC9                  |                      |
|          |                |   | -         | (5)     | -   | -   | -----                           |                      |
| 19       | 90301-473-003  | NUT, U, 6MM .....                         | 1         | -       | -   | -   | ----- STS                       |                      |
| 20       | 90325-044-000  | NUT, TOOL BOX SETTING .....               | 1         | -       | -   | -   | ----- QXC9                      |                      |
|          |                |   | 1         | -       | -   | -   | ----- 2336264 STS               |                      |
|          |                |   | -         | (1)     | -   | -   | ----- 2336264                   |                      |
|          |                |   | 1         | -       | -   | -   | ----- 2329088 QXC               |                      |
| 21       | 90325-044-000  | NUT, TOOL BOX SETTING .....               | 1         | -       | -   | -   | ----- QXC,QXC9                  |                      |
|          |                |   | -         | (1)     | -   | -   | -----                           |                      |
| 22       | 93893-04012-07 | SCREW-WASHER, 4X12 .....                  | 2         | -       | -   | -   | ----- STS                       |                      |
| 23       | 94050-06000    | NUT, FLANGE, 6MM .....                    | 2         | -       | -   | -   | ----- QXC9                      |                      |
|          |                |   | 2         | -       | -   | -   | ----- QXC,STS                   |                      |
|          |                |   | -         | 2       | -   | -   | ----- 2299857                   |                      |
|          |                |   | -         | 2       | -   | -   | ----- 2299857                   |                      |
| 24       | 95700-06020-00 | BOLT, FLANGE, 6X20 .....                  | 1         | (1)     | -   | -   | ----- H1,QXC,Q1,R1,STS,U1,V1,W1 |                      |
|          | 95701-06020-00 | .....                                     | 1         | -       | -   | -   | ----- QXC9                      |                      |
|          |                |   | -         | (1)     | -   | -   | -----                           |                      |



E-15-4

AIR CLEANER(5)

J 8



| Ref. No. | L.O.N. | (Relative ref. Number)<br>Description | F.R.T. |
|----------|--------|---------------------------------------|--------|
| 2        | 3121B0 | CLEANER, AIR .....                    | 0.1    |
| 3        | 3121B8 | ELEMENT, AIR CLEANER .....            | 0.1    |
| 6        | 3121C1 | FILTER, OUTER .....                   | 0.1    |
| 10       | 3121F9 | TUBE, AIR CLEANER INTAKE .....        | 0.1    |
| 12       | 3121B4 | ELBOW, AIR CLEANER .....              | 0.1    |

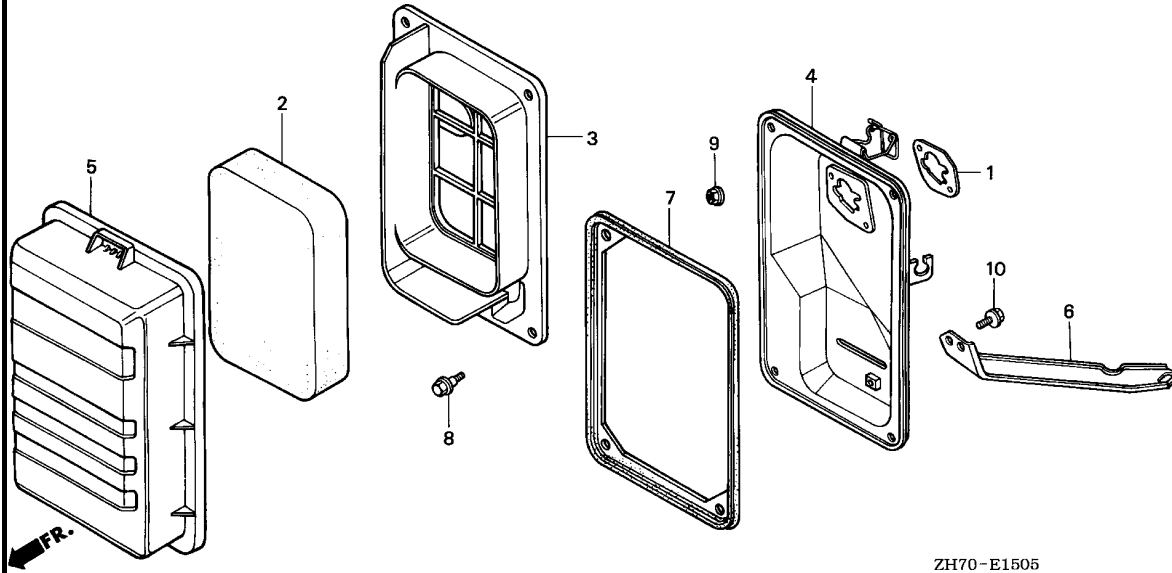
| Ref. No. | Part No.       | Description                       | Reqd. QTY |     |     |     | Serial No.                   | Parts catalogue code |
|----------|----------------|-----------------------------------|-----------|-----|-----|-----|------------------------------|----------------------|
|          |                |                                   | (1)       | (2) | (3) | (4) |                              |                      |
| 1        | 16106-KW7-900  | CLIP B, TUBE .....                | 1         | -   | -   | -   | AR,DKR,KRA4                  |                      |
| 2        | 17200-ZK7-V01  | CLEANER ASSY., AIR .....          | 1         | -   | -   | -   | AR,DKR,KR,KRA4,KRT,KRT4,KRT6 |                      |
| 3        | 17210-ZK7-V01  | ELEMENT COMP., AIR CLEANER ..     | 1         | -   | -   | -   | AR,DKR,KR,KRA4,KRT,KRT4,KRT6 |                      |
| 4        | 17216-PM4-300  | CLIP A, WIRE .....                | 1         | -   | -   | -   | AR,DKR,KR,KRA4,KRT,KRT4,KRT6 |                      |
| 5        | 17217-PM4-300  | CLIP B, WIRE .....                | 1         | -   | -   | -   | AR,DKR,KR,KRA4,KRT,KRT4,KRT6 |                      |
| 6        | 17218-ZK7-V01  | FILTER, OUTER .....               | 1         | -   | -   | -   | AR,DKR,KR,KRA4,KRT,KRT4,KRT6 |                      |
| 7        | 17230-ZK7-V01  | COVER COMP., AIR CLEANER .....    | 1         | -   | -   | -   | AR,DKR,KR,KRA4,KRT,KRT4,KRT6 |                      |
| 8        | 17238-ZE7-010  | COLLAR, AIR CLEANER .....         | 2         | -   | -   | -   | AR,DKR,KR,KRA4,KRT,KRT4,KRT6 |                      |
| 9        | 17239-ZE1-000  | COLLAR B, AIR CLEANER .....       | 1         | -   | -   | -   | AR,DKR,KR,KRA4,KRT,KRT4,KRT6 |                      |
| 10       | 17251-ZE0-S10  | TUBE, AIR CLEANER CONNECTING      | 1         | -   | -   | -   | AR,DKR,KR,KRA4,KRT,KRT4,KRT6 |                      |
| 11       | 17255-758-000  | BAND, AIR CLEANER CONNECTING TUBE | 2         | -   | -   | -   | AR,DKR,KR,KRA4,KRT,KRT4,KRT6 |                      |
| 12       | 17410-ZE1-P30  | ELBOW COMP., AIR CLEANER .....    | 1         | -   | -   | -   | AR,DKR,KR,KRA4,KRT,KRT4,KRT6 |                      |
| 13       | 94050-06000    | NUT, FLANGE, 6MM .....            | 2         | -   | -   | -   | AR,DKR,KR,KRA4,KRT,KRT4,KRT6 |                      |
| 14       | 95701-06016-00 | BOLT, FLANGE, 6X16 .....          | 2         | -   | -   | -   | AR,DKR,KR,KRA4,KRT,KRT4,KRT6 |                      |
| 15       | 95701-06020-00 | BOLT, FLANGE, 6X20 .....          | 1         | -   | -   | -   | KRT,KRT4,KRT6                |                      |
|          | 90013-883-000  | BOLT, FLANGE, 6X12(CT200) .....   | 1         | -   | -   | -   | AR,DKR,KR,KRA4               |                      |
| 16       | 91473-PA1-003  | CLIP, WATER HOSE .....            | 1         | -   | -   | -   | AR,DKR,KR,KRA4,KRT,KRT4,KRT6 |                      |
| 17       | 93500-04020-0A | SCREW, PAN, 4X20 .....            | 2         | -   | -   | -   | AR,DKR,KR,KRA4,KRT,KRT4,KRT6 |                      |

2

E-15-5

AIR CLEANER(6)

J 9



| Ref. No. | L.O.N. | (Relative ref. Number) Description | F.R.T. |
|----------|--------|------------------------------------|--------|
| 1        | 3121D9 | PACKING, AIR CLEANER .....         | 0.1    |
| 2        | 3121B8 | ELEMENT, AIR CLEANER .....         | 0.1    |
| 3        | 3121F0 | SEPARATOR, AIR CLEANER .....       | 0.1    |
| 4        | 3121A5 | CASE, AIR CLEANER .....            | 0.1    |
| 7        | 3121E8 | SEAL, AIR CLEANER CASE .....       | 0.1    |

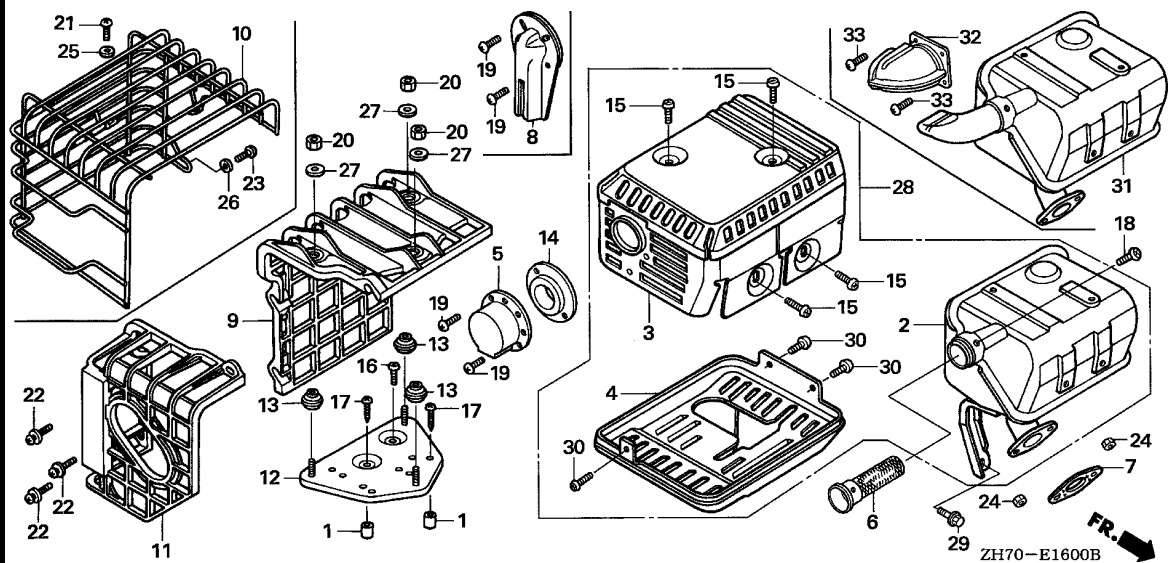
| Ref. No. | Part No.       | Description                   | Reqd. QTY |     |     |     | Serial No. | Parts catalogue code |
|----------|----------------|-------------------------------|-----------|-----|-----|-----|------------|----------------------|
|          |                |                               | GX120K1   |     |     |     |            |                      |
|          |                |                               | (1)       | (2) | (3) | (4) |            |                      |
| 1        | 16269-ZE1-800  | PACKING, AIR CLEANER .....    | 1         | -   | -   | -   | -----      | VMT,VPR4             |
| 2        | 17211-ZB2-000  | ELEMENT, AIR CLEANER .....    | 1         | -   | -   | -   | -----      | VMT,VPR4             |
| 3        | 17212-ZB2-000  | SEPARATOR, AIR CLEANER .....  | 1         | -   | -   | -   | -----      | VMT,VPR4             |
| 4        | 17220-ZB2-000  | CASE COMP., AIR CLEANER ..... | 1         | -   | -   | -   | -----      | VMT,VPR4             |
| 5        | 17231-ZB2-000  | COVER, AIR CLEANER .....      | 1         | -   | -   | -   | -----      | VMT,VPR4             |
| 6        | 17239-ZB2-000  | STAY, AIR CLEANER .....       | 1         | -   | -   | -   | -----      | VMT,VPR4             |
| 7        | 17252-ZB2-000  | SEAL, AIR CLEANER .....       | 1         | -   | -   | -   | -----      | VMT,VPR4             |
| 8        | 90115-459-770  | BOLT, WINKER SETTING .....    | 4         | -   | -   | -   | -----      | VMT,VPR4             |
| 9        | 94050-06080    | NUT, FLANGE, 6MM .....        | 2         | -   | -   | -   | -----      | VMT,VPR4             |
| 10       | 95701-06010-00 | BOLT, FLANGE, 6X10 .....      | 1         | -   | -   | -   | -----      | VMT,VPR4             |

2

E-16

MUFFLER(1)

J10

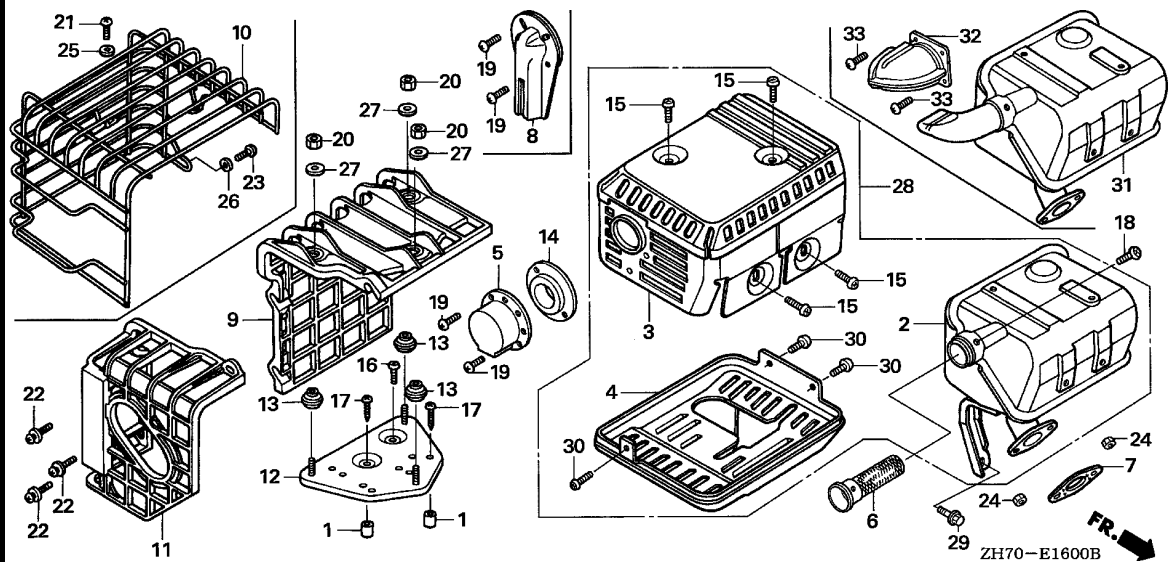


| Ref. No. | L.O.N. | (Relative ref. Number) Description      | F.R.T. |
|----------|--------|---|--------|
| 2        | 3131C5 | (31) MUFFLER, EXHAUST .....             | 0.2    |
| 3        | 3131D5 | PROTECTOR, EXHAUST MUFFLER :UPPER ..... | 0.2    |
| 4        | 3131D2 | PROTECTOR, EXHAUST MUFFLER :LOWER ..... | 0.2    |
| 6        | 3131A1 | ARRESTER, SPARK .....                   | 0.2    |
| 7        | 3131B4 | GASKET, EXHAUST MUFFLER .....           | 0.2    |
| 9        | 3131A7 | COVER, EXHAUST MUFFLER .....            | 0.1    |
| 11       | 3131A6 | COVER, EXHAUST MUFFLER :REAR ..         | 0.1    |
| 12       | 3131A2 | BASE, EXHAUST MUFFLER COVER ..          | 0.2    |

| Ref. No. | Part No.      | Description                    | Reqd. QTY |     |     |         | Serial No.   | Parts catalogue code |
|----------|---------------|--------------------------------|-----------|-----|-----|---------|--|----------------------|
|          |               |                                | (1)       | (2) | (3) | (4)     |  |                      |
| 1        | 17233-896-701 | COLLAR, AIR CLEANER CASE ..... | (2)       | -   | -   | -       | HHQ4, HX4, LAJ4, LD4, LEH4, LHQ4, LSJ4, LX4, QEH, QHQ4, QLL, QMA4, QME4, QPU, QX4, QX7, RD4, RHQ4, RX4, SAJ4, SD4, SHQ4, SXS4, SX4, SX7, TX4, VEX, VEX7, VX4, VX7, WDA6, WD12, WKT4, WMA3, WM1   |                      |
| 2        | 18310-ZF1-000 | MUFFLER COMP. (STD) .....      | 1         | -   | -   | -       | DS, EN, ET, ETX, HH, HHQ4, HTF2, HT2, HX, HXQ, HXU, HX2, HX26, HX4, LAJ4, LD, LDB1, LDB3, LD4, LEH4, LH, LHQ4, LJ, LJC, LJD2, LJS, LJT, LSJ, LSJ4, LTJ, LTK1, LTR, LTS, LW2, LX, LXU, LX2, LX26, LX4, PH, PM, PM2, PX, PX2, QD, QEH, QH, QHQ4, QH2, QH26, QJG2, QJW1, QLL, QM, QMA4, QME4, QMH, QPU, QSJ, QT, QX, QXG, QXG2, QXQ, QXS, QXS2, QXU, QX2, QX26, QX4, RD, RD4, RH, RHQ4, RX, RX4, SAJ, SAJ4, SCJ, SD, SDB1, SDB3, SD16, SD4, SH, SHQ4, SJ, SJC, SJC1, SJC5, SKJ, SKR, SMJ, SN, SWX2, SWX4, SW2, SX, SX4, TH, TX, TX2, TX26, TX4, UH, UX, UXU, VED, VET, VEX, VH, VS, VS1, VX, VXU, VX4, WDA6, WDJ, WJ, WJP, WJP1, WJ1, WMA3, WME4, WM1 |                      |
|          |               |                                | 1         | -   | -   | 3230227 | QB26   |                      |
|          |               |                                | 1         | -   | -   | 2119399 | STS  |                      |
|          |               |                                | 1         | -   | -   | 3904652 | SXS4   |                      |
|          |               |                                | -         | (1) | 1   | 1       |  |                      |
|          | 18310-ZH8-810 | MUFFLER COMP. (ARRESTER) ..... | 1         | -   | -   | -       | HX26, QA, QAA2, QA2, QA26, QMX2, QTC2, QX26, QX7, RHC, SMW2, SX7, TX26, VA, VED1, VED6, VEX7, VX7, WD12, WKD6, WKT2, WKT4, WKT6, WME2  |                      |
|          |               |                                | (1)       | -   | -   | -       | HTF2, HT2, HX, HXQ, HX2, HX4, QJG2, QJW1, QLL, QX, QXG, QXG2, QXQ, QXS, QXS2, QX2, QX4, SWX2, SWX4, TX, TX2, TX4   |                      |
|          |               |                                | (1)       | -   | -   | 3904653 | SXS4   |                      |
|          |               |                                | -         | (1) | -   | -       |  |                      |
|          | 18310-ZE1-900 | MUFFLER COMP. ....             | 1         | -   | -   | -       | STP  |                      |
|          |               |                                | 1         | -   | -   | 2119400 | STS  |                      |
|          |               |                                | 1         | -   | -   | 2249340 | LTA  |                      |
|          | 18310-ZH7-V90 | .....                          | 1         | -   | -   | -       | SM11, SM14   |                      |
|          |               |                                | 1         | -   | -   | 2249341 | LTA  |                      |
|          | 18310-ZH8-T30 | MUFFLER COMP. (SAKAI-ARRESTER) | 1         | -   | -   | -       | SSK1, SSK2, SSK3, SSX2, SSX4   |                      |
|          | 18310-ZK8-V50 | MUFFLER COMP. ....             | 1         | -   | -   | -       | SM12   |                      |

| Ref. No. | Part No.      | Description                          | Reqd. QTY |                |     |     | Serial No.  | Parts catalogue code |
|----------|---------------|--------------------------------------|-----------|----------------|-----|-----|---|----------------------|
|          |               |                                      | (1)       | GX120K1<br>(2) | (3) | (4) |   |                      |
| 3        | 18321-ZH8-000 | PROTECTOR, UPPER .....               | 1         | -              | -   | -   | 2029904 DS,HH,HX,LD,LH,LJ,LW2,LX,PH,PM,PM2,PX,QA,QD,QH,QM,QT,QX,QXG,QXS,RD,RH,RX,SD,SH,SJ,SN,SW2,SX,TH,TX,UH,UX,VA,VED,VED1,VET,VH,VX,WJ  |                      |
|          | 18320-ZF1-H00 | PROTECTOR, MUFFLER (STD.) ...        | 1         | (1)            | -   | -   | 2029905 2470940 DS,HH,HX,H1,LD,LH,LJ,LW2,LX,L1,PH,PM,PM2,PX,QA,QD,QH,QM,QT,QX,QXG,QXS,Q1,RD,RH,RX,R1,SD,SH,SJ,SN,SW2,SX,S1,TH,TX,UH,UX,VA,VED,VED1,VET,VH,VX,V1,WJ,W1   |                      |
|          |               |                                      | 1         | -              | -   | -   | 2119399 STS   |                      |
|          |               |                                      | 1         | -              | -   | -   | 2470940 EN,ET,ETX,HXQ,HX2,LTJ,LX2,QAA2,QA2,QEH,QH2,QLL,QPU,QSJ,QXG2,QXQ,QXS2,QX2,RHC,SCJ,SKJ,SMJ,SSK1,TX2,VEX,VS,VS1  |                      |
|          | 18320-ZE1-000 | PROTECTOR, UPPER .....               | 1         | -              | -   | -   | 2249341 2470940 LTA   |                      |
|          |               |                                      | 1         | (1)            | -   | -   | 2029905 U1  |                      |
|          |               |                                      | 1         | -              | -   | -   | 2249340 LTA   |                      |
|          | 18320-ZF1-H00 | PROTECTOR, MUFFLER (STD.) ...        | 1         | -              | -   | -   | 2119400 2432207 STS   |                      |
|          | 18320-ZF1-H01 | PROTECTOR, MUFFLER (STD.)<br>(BLACK) | 1         | (1)            | -   | -   | 2432208 STS   |                      |
|          |               |                                      | 1         | (1)            | -   | -   | 2470941 DS,EN,ET,ETX,HH,HX,HXQ,HX2,H1,LD,LH,LJ,LTA,LTJ,LW2,LX,LX2,L1,PH,PM,PM2,PX,QA,QAA2,QA2,QD,QEH,QH,QH2,QLL,QM,QPU,QSJ,QT,QX,QXG,QXG2,QXQ,QXS,QXS2,QX2,Q1,RD,RH,RHC,RX,R1,SCJ,SD,SH,SJ,SKJ,SMJ,SN,SSK1,SW2,SX,S1,TH,TX,TX2,UH,UX,VA,VED,VED1,VET,VEX,VH,VS,VS1,VX,V1,WJ,W1  |                      |
|          |               |                                      | 1         | -              | -   | -   | HHQ4,HTF2,HT2,HXU,HX26,HX4,LAJ4,LDB1,LDB3,LD4,LEH4,LHQ4,LJC,LJD2,LJS,LJT,LSJ,LSJ4,LTK1,LTR,LTS,LXU,LX26,LX4,PX2,QA26,QHQ4,QH26,QJG2,QJW1,QMA4,QME4,QMH,QMX2,QTC2,QXU,QX26,QX4,QX7,RD4,RHQ4,RX4,SAJ,SAJ4,SDB1,SDB3,SD16,SD4,SHQ4,SJC,SJC1,SJC5,SKR,SMW2,SM11,SM12,SM14,SSK2,SSK3,SSX2,SSX4,STP,SWX2,SWX4,SXS4,SX4,SX7,TX26,TX4,UXU,VED6,VEK,VEX7,VXU,VX4,VX7,WDA6,WDJ,WD12,WJP,WJP1,WKD6,WKT2,WKT4,WKT6,WMA3,WME2,WME4 |                      |
|          |               |                                      | 1         | -              | -   | -   | 2477101 STS   |                      |
|          |               |                                      | 1         | -              | -   | -   | 3230227 3303356 QB26  |                      |
|          |               |                                      | -         | -              | -   | 1   | 2029905   |                      |
|          | 18320-ZH8-W01 | PROTECTOR, MUFFLER<br>(ALUMINAIZED)  | 1         | -              | -   | -   | WJ1,WM1   |                      |
|          | 18320-ZE1-T02 | PROTECTOR, UPPER (CHROME) ...        | -         | -              | 1   | -   |   |                      |
|          | 18320-ZF1-H01 | PROTECTOR, MUFFLER (STD.)<br>(BLACK) | -         | -              | 1   | -   | QIH1,WIH1   |                      |
| 4        | 18325-ZE1-010 | PROTECTOR, LOWER .....               | 1         | -              | -   | -   | DS,LJ,LJC,LJS,LJT,LSJ,LTJ,LTK1,LTR,LTS,QSJ,QXS,QXS2,SAJ,SCJ,SJ,SJC,SJC1,SJC5,SKJ,SKR,SMJ,VEK,VET,WJ,WJP,WJP1  |                      |
|          |               |                                      | 1         | -              | -   | -   | 2119399 STS   |                      |
|          |               |                                      | -         | (1)            | -   | -   |   |                      |
| 5        | 18340-ZE1-010 | DEFLECTOR COMP. ....                 | 1         | -              | 1   | -   | HTF2,LAJ4,LEH4,LJD2,LJS,LJT,LSJ,LSJ4,LTJ,LTK1,LTR,LW2,QA,QAA2,QA2,QA26,QEH,QIH1,QJW1,QLL,QMA4,QMH,QMX2,QPU,QT,QTC2,SAJ,SAJ4,SCJ,SJC,SJC1,SJC5,SMW2,SM11,SM12,SM14,SSK1,SSK2,SSK3,SSX2,SSX4,STP,STS,SW2,SXS4,VEX,VEX7  |                      |
|          |               |                                      | 1         | -              | -   | -   | 2249341 LTA   |                      |
|          |               |                                      | 1         | -              | -   | -   | 3475742 SKR   |                      |
|          |               |                                      | 1         | -              | -   | -   | 2077061 QXG   |                      |
|          |               |                                      | -         | (1)            | -   | -   |   |                      |
|          | 18340-ZH7-U20 | .....                                | 1         | -              | -   | -   | QJG2,QXG2   |                      |
|          |               |                                      | 1         | -              | -   | -   | 2077062 QXG   |                      |
| 6        | 18355-ZE1-000 | ARRESTER, SPARK .....                | 1         | -              | -   | -   | QA,QAA2,QA2,QA26,QMX2,QTC2,QX7,RHC,SMW2,SM12,SSK1,SSK2,SSK3,SSX2,SSX4,SX7,VA,VED1,VED6,VEX7,VX7,WD12,WKD6,WKT2,WKT4,WKT6,WME2   |                      |
|          |               |                                      | 1         | -              | -   | -   | 3904653 SXS4  |                      |
|          |               |                                      | (1)       | -              | -   | -   | HTF2,HT2,HX,HXQ,HXU,HX2,HX26,HX4,QJG2,QJW1,QLL,QX,QXG,QXG2,QXQ,QXS,QXS2,QXU,QX2,QX26,QX4,SWX2,SWX4,TX,TX2,TX26,TX4  |                      |
|          |               |                                      | -         | (1)            | -   | -   |   |                      |



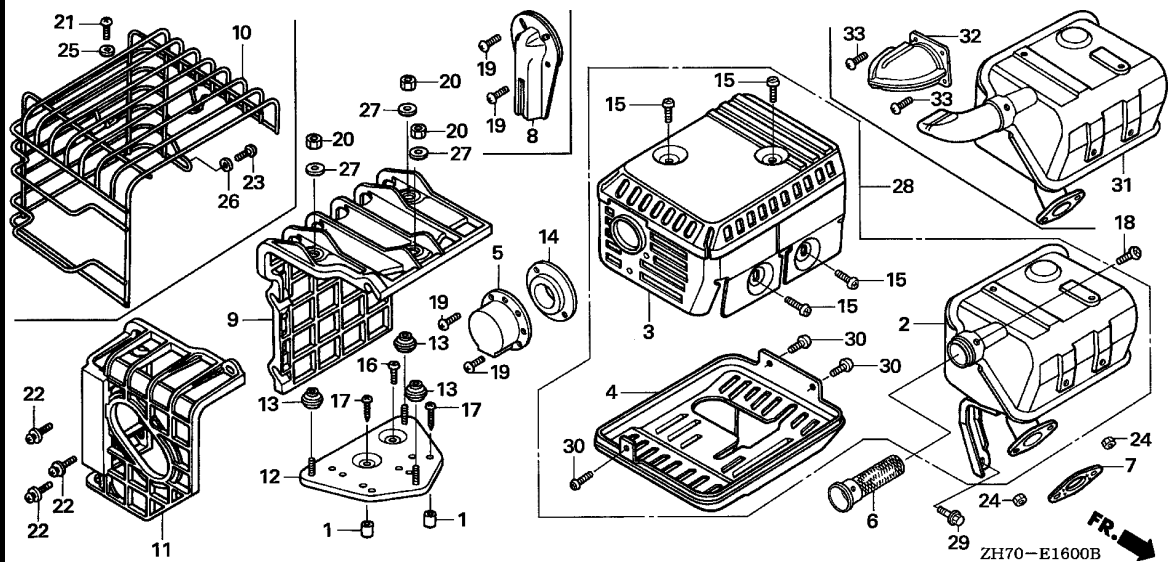


2

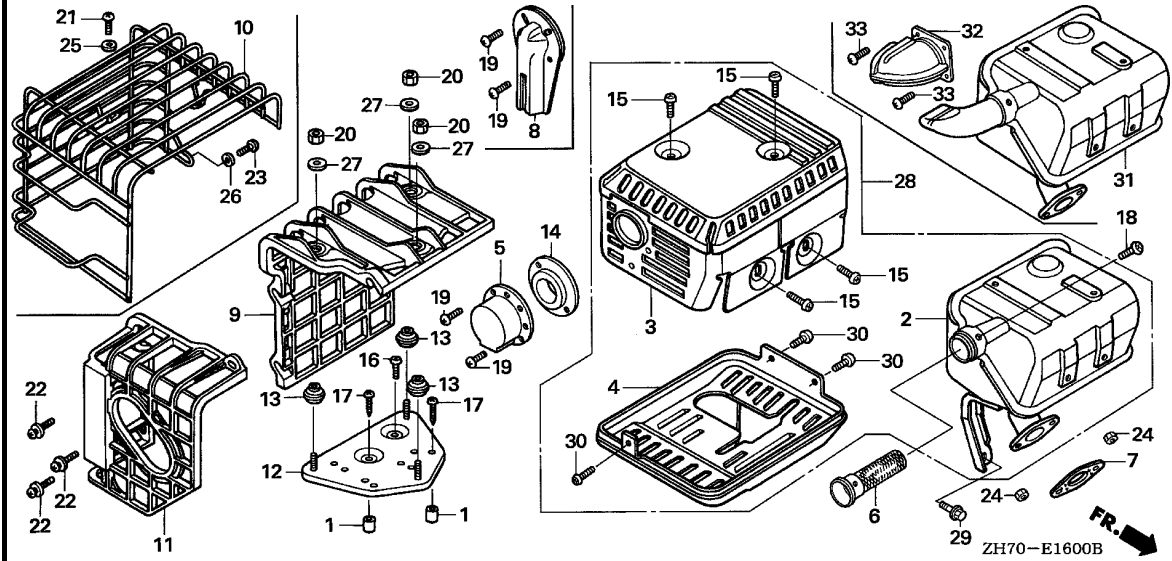
| Ref. No. | Part No.      | Description                   | Reqd. QTY |     |     |     | Serial No.  | Parts catalogue code |
|----------|---------------|-------------------------------|-----------|-----|-----|-----|---|----------------------|
|          |               |                               | (1)       | (2) | (3) | (4) |   |                      |
| 7        | 18381-ZH8-000 | GASKET, MUFFLER .....         | 1         | -   | -   | -   | 2157159 DS,EN,ET,ETX,LJ,LW2,PM,PM2,QM,QSJ,QT,SJ,SMJ,SN,STS,SW2,VET,WJ   |                      |
|          | 18381-ZH8-800 | .....                         | -         | (1) | -   | -   | 2157159 HH,HHQ4,HTF2,HT2,HX,HXQ,HXU,HX2,HX26,HX4,LAJ4,LD,LDB1,LDB3,LD4,LEH4,LH,LHQ4,LJC,LJD2,LJS,LJT,LSJ,LSJ4,LTA,LTJ,LTK1,LTR,LTS,LX,LXU,LX2,LX26,LX4,PH,PX,PX2,QA,QAA2,QA2,QA26,QB26,QD,QEH,QH,QHQ4,QH2,QH26,QJG2,QJW1,QLL,QMA4,QME4,QMH,QMX2,QPU,QTC2,QX,QXG,QXG2,QXQ,QXS,QXS2,QXU,QX2,QX26,QX4,QX7,RD,RD4,RH,RHC,RHQ4,RX,RX4,SAJ,SAJ4,SCJ,SD,SDB1,SDB3,SD16,SD4,SH,SHQ4,SJC,SJC1,SJC5,SKJ,SKR,SMW2,SM11,SM12,SM14,SSK1,SSK2,SSK3,SSX2,SSX4,STP,SWX2,SWX4,SX,SXS4,SX4,SX7,TH,TX,TX2,TX26,TX4,UH,UX,UXU,VA,VAX4,VED,VED1,VED6,VEK,VEX,VEX7,VH,VS,VS1,VX,VXU,VX4,VX7,WDA6,WDJ,WD12,WJP,WJP1,WJ1,WKD6,WKT2,WKT4,WKT6,WMA3,WME2,WME4,WM1 |                      |
|          |               |                               | 1         | -   | -   | -   | 2157160 DS,EN,ET,ETX,LJ,LW2,PM,PM2,QM,QSJ,QT,SJ,SMJ,SN,STS,SW2,VET,WJ   |                      |
|          |               |                               | -         | (1) | -   | -   | 2157160   |                      |
| 8        | 18431-ZH8-W50 | DEFLECTOR, MUFFLER .....      | (1)       | -   | -   | -   | LEH4,QEH,QLL,QMA4,QPU,SXS4,VEX,VEX7,WDA6,WD12,WMA3,WME4,WM1   |                      |
| 9        | 18433-ZH8-W40 | COVER COMP., MUFFLER .....    | (1)       | -   | -   | -   | HHQ4,HX4,LAJ4,LD4,LEH4,LHQ4,LSJ4,LX4,QEH,QHQ4,QLL,QMA4,QME4,QPU,QX4,QX7,RD4,RHQ4,RX4,SAJ4,SD4,SHQ4,SXS4,SX4,SX7,TX4,VEX,VEX7,VX4,VX7,WDA6,WD12,WKT4,WMA3,WM1  |                      |
| 10       | 18433-ZH8-W60 | COVER, MUFFLER .....          | (1)       | -   | -   | -   | LEH4,QEH,QPU  |                      |
| 11       | 18434-ZH8-W40 | COVER COMP., MUFFLER RR. .... | (1)       | -   | -   | -   | HHQ4,HX4,LAJ4,LD4,LEH4,LHQ4,LSJ4,LX4,QEH,QHQ4,QLL,QMA4,QME4,QPU,QX4,QX7,RD4,RHQ4,RX4,SAJ4,SD4,SHQ4,SXS4,SX4,SX7,TX4,VEX,VEX7,VX4,VX7,WDA6,WD12,WKT4,WMA3,WM1  |                      |
| 12       | 18436-ZH8-W40 | BASE COMP., MUFFLER COVER ... | (1)       | -   | -   | -   | HHQ4,HX4,LAJ4,LD4,LEH4,LHQ4,LSJ4,LX4,QEH,QHQ4,QLL,QMA4,QME4,QPU,QX4,QX7,RD4,RHQ4,RX4,SAJ4,SD4,SHQ4,SXS4,SX4,SX7,TX4,VEX,VEX7,VX4,VX7,WDA6,WD12,WKT4,WMA3,WM1  |                      |

| Ref. No.      | Part No.                  | Description                 | Reqd. QTY |                |     |     | Serial No.  | Parts catalogue code |
|---------------|---------------------------|-----------------------------|-----------|----------------|-----|-----|---|----------------------|
|               |                           |                             | (1)       | GX120K1<br>(2) | (3) | (4) |   |                      |
| 13            | 18466-ZH8-W40             | SPACER, MUFFLER COVER ..... | (3)       | -              | -   | -   | HHQ4, HX4, LAJ4, LD4, LEH4, LHQ4, LSJ4, LX4, QEH, QHQ4, QLL, QMA4, QME4, QPU, QX4, QX7, RD4, RHQ4, RX4, SAJ4, SD4, SHQ4, SXS4, SX4, SX7, TX4, VEX, VEX7, VX4, VX7, WDA6, WD12, WKT4, WMA3, WM1  |                      |
| 14            | 18522-ZE1-000             | GUIDE, MUFFLER .....        | 1         | -              | 1   | -   | HTF2, LAJ4, LEH4, LJD2, LJS, LJT, LSJ, LSJ4, LTJ, LTK1, LTR, LW2, QA, QAA2, QA2, QA26, QEH, QIH1, QJW1, QLL, QMA4, QMH, QMX2, QPU, QT, QTC2, SAJ, SAJ4, SCJ, SJC1, SJC5, SMW2, SM11, SM12, SM14, SSK1, SSK2, SSK3, SSX2, SSX4, STP, STS, SW2, SXS4, VEX, VEX7   |                      |
|               |                           |                             | 1         | -              | -   | -   | 2249341 ----- LTA   |                      |
|               |                           |                             | 1         | -              | -   | -   | 2555265 ----- SJC   |                      |
|               |                           |                             | 1         | -              | -   | -   | 3475742 ----- SKR   |                      |
|               |                           |                             | -         | (1)            | -   | -   |   |                      |
| 15            | 90050-ZE1-000             | SCREW, TAPPING, 5X8 .....   | 4         | -              | -   | -   | DS, EN, ET, ETX, HH, HHQ4, HTF2, HT2, HX, HXQ, HXU, HX2, HX26, HX4, LAJ4, LD, LDB1, LDB3, LD4, LEH4, LH, LHQ4, LJ, LJC, LJD2, LJS, LJT, LSJ, LSJ4, LTA, LTJ, LTK1, LTR, LTS, LW2, LX, LXU, LX2, LX26, LX4, PH, PM, PM2, PX, PX2, QA, QAA2, QA2, QA26, QD, QEH, QH, QHQ4, QH2, QH26, QJG2, QJW1, QLL, QM, QMA4, QME4, QMH, QMX2, QPU, QSJ, QT, QTC2, QX, QXG, QXG2, QXQ, QXS, QXS2, QXU, QX2, QX26, QX4, QX7, RD, RD4, RH, RHC, RHQ4, RX, RX4, SAJ, SAJ4, SCJ, SD, SDB1, SDB3, SD16, SD4, SH, SHQ4, SJ, SJC, SJC1, SJC5, SKJ, SKR, SMJ, SMW2, SM11, SM12, SM14, SN, SSK1, SSK2, SSK3, SSX2, SSX4, STP, STS, SWX2, SWX4, SW2, SX, SXS4, SX4, SX7, TH, TX, TX2, TX26, TX4, UH, UX, UXU, VA, VED, VED1, VED6, VEK, VET, VEX, VEX7, VH, VS, VS1, VX, VXU, VX4, VX7, WDA6, WDJ, WD12, WJ, WJP, WJP1, WJ1, WKD6, WKT2, WKT4, WKT6, WMA3, WME2, WME4, WM1 |                      |
|               |                           |                             | 4         | -              | -   | -   | 3230227 3303356 QB26  |                      |
|               |                           |                             | -         | (4)            | 4   | 4   |   |                      |
| 16            | 90050-ZE1-000             | SCREW, TAPPING, 5X8 .....   | (1)       | -              | -   | -   | HHQ4, HX4, LAJ4, LD4, LHQ4, LSJ4, LX4, QHQ4, QMA4, QX4, QX7, RD4, RHQ4, RX4, SAJ4, SD4, SHQ4, SXS4, SX4, SX7, TX4, VEX7, VX4, VX7, WDA6, WD12, WMA3, WM1  |                      |
| 17            | 90050-ZH8-W40             | SCREW, TAPPING, 5X25 .....  | (2)       | -              | -   | -   | HHQ4, HX4, LAJ4, LD4, LEH4, LHQ4, LSJ4, LX4, QEH, QHQ4, QLL, QMA4, QME4, QPU, QX4, QX7, RD4, RHQ4, RX4, SAJ4, SD4, SHQ4, SXS4, SX4, SX7, TX4, VEX, VEX7, VX4, VX7, WDA6, WD12, WKT4, WMA3, WM1  |                      |
| 18            | 90055-ZE1-000             | SCREW, TAPPING, 4X6 .....   | 1         | -              | -   | -   | QA, QAA2, QA2, QA26, QMX2, QTC2, QX7, RHC, SMW2, SM12, SSK1, SSK2, SSK3, SSX2, SSX4, SX7, VA, VED1, VED6, VEX7, VX7, WD12, WKD6, WKT2, WKT4, WKT6, WME2   |                      |
|               |                           |                             | 1         | -              | -   | -   | 3904653 ----- SXS4  |                      |
|               |                           |                             | (1)       | -              | -   | -   | HTF2, HT2, HX, HXQ, HXU, HX2, HX26, HX4, QJG2, QJW1, QLL, QX, QXG, QXG2, QXQ, QXS, QXS2, QXU, QX2, QX26, QX4, SWX2, SWX4, TX, TX2, TX26, TX4  |                      |
|               |                           |                             | -         | (1)            | -   | -   |   |                      |
| 19            | 90055-ZE1-000             | SCREW, TAPPING, 4X6 .....   | 1         | -              | -   | -   | 3904653 ----- SXS4  |                      |
|               |                           |                             | 2         | -              | -   | -   | LEH4, QJG2, QXG, QXG2   |                      |
|               |                           |                             | 2         | -              | -   | -   | 2288495 ----- LW2, QA, QA2, QEH, QT, STS, SW2   |                      |
|               |                           |                             | 3         | -              | -   | -   | LTS   |                      |
|               |                           |                             | (2)       | -              | -   | -   | QMA4, VEX7, WDA6, WD12, WMA3, WME4, WM1   |                      |
|               |                           |                             | -         | (2)            | -   | -   | 2288495 -----   |                      |
| 90002-ZG0-003 | SCREW, TAPPING, 4X8 ..... | 2                           | -         | 2              | -   | -   | HTF2, LAJ4, LJD2, LJS, LJT, LSJ, LSJ4, LTJ, LTK1, LTR, QAA2, QA26, QIH1, QJW1, QLL, QMA4, QMH, QMX2, QPU, QTC2, SAJ, SAJ4, SCJ, SJC, SJC1, SJC5, SMW2, SM11, SM12, SM14, SSK1, SSK2, SSK3, SSX2, SSX4, STP, SXS4, VEX, VEX7   |                      |
|               |                           |                             | 2         | -              | -   | -   | 2249341 ----- LTA   |                      |
|               |                           |                             | 2         | -              | -   | -   | 2288496 ----- LW2, QA, QA2, QEH, QT, STS, SW2   |                      |
|               |                           |                             | 2         | -              | -   | -   | 3475742 ----- SKR   |                      |
|               |                           |                             | -         | (2)            | -   | -   | 2288496 -----   |                      |
| 20            | 90302-KF9-900             | NUT, HEX., 5MM .....        | (3)       | -              | -   | -   | HHQ4, HX4, LAJ4, LD4, LEH4, LHQ4, LSJ4, LX4, QEH, QHQ4, QLL, QMA4, QME4, QPU, QX4, QX7, RD4, RHQ4, RX4, SAJ4, SD4, SHQ4, SXS4, SX4, SX7, TX4, VEX, VEX7, VX4, VX7, WDA6, WD12, WKT4, WMA3, WM1  |                      |
| 21            | 93500-05010-0A            | SCREW, PAN, 5X10 .....      | (2)       | -              | -   | -   | LEH4, QEH, QPU  |                      |
| 22            | 93891-06020-07            | SCREW-WASHER, 6X20 .....    | (3)       | -              | -   | -   | HHQ4, HX4, LAJ4, LD4, LEH4, LHQ4, LSJ4, LX4, QEH, QHQ4, QLL, QMA4, QME4, QPU, QX4, QX7, RD4, RHQ4, RX4, SAJ4, SD4, SHQ4, SXS4, SX4, SX7, TX4, VEX, VEX7, VX4, VX7, WDA6, WD12, WKT4, WMA3, WM1  |                      |





| Ref. No. | Part No.       | Description          | Reqd. QTY                          |     |     |     | Serial No.  | Parts catalogue code |
|----------|----------------|----------------------|------------------------------------|-----|-----|-----|---|----------------------|
|          |                |                      | (1)                                | (2) | (3) | (4) |   |                      |
| 23       | 93901-26280    | SCREW, TAPPING, 6X16 | (1)                                | -   | -   | -   | LEH4, QEH, QPU  |                      |
| 24       | 94001-08000-0S | NUT, HEX., 8MM       | 2                                  | -   | -   | -   | DS, EN, ET, ETX, HH, HHQ4, HTF2, HT2, HX, HXQ, HXU, HX2, HX26, HX4, LAJ4, LD, LDB1, LDB3, LD4, LEH4, LH, LHQ4, LJ, LJC, LJD2, LJS, LJT, LSJ, LSJ4, LTA, LTJ, LTK1, LTR, LTS, LW2, LX, LXU, LX2, LX26, LX4, PH, PM, PM2, PX, PX2, QA, QAA2, QA2, QA26, QB26, QD, QEH, QH, QHQ4, QH2, QH26, QJG2, QJW1, QLL, QM, QMA4, QME4, QMH, QMX2, QPU, QSJ, QT, QTC2, QX, QXG, QXG2, QXQ, QXS, QXS2, QXU, QX2, QX26, QX4, QX7, RD, RD4, RH, RHC, RHQ4, RX, RX4, SAJ, SAJ4, SCJ, SD, SDB1, SDB3, SD16, SD4, SH, SHQ4, SJ, SJC, SJC1, SJC5, SKJ, SKR, SMJ, SMW2, SM11, SM12, SM14, SN, SSK1, SSK2, SSK3, SSS2, SSS4, SWX2, SWX4, SW2, SX, SXS4, SX4, SX7, TH, TX, TX2, TX26, TX4, UH, UX, UXU, VA, VED, VED1, VED6, VEK, VET, VEX, VEX7, VH, VS, VS1, VX, VXU, VX4, VX7, WDA6, WDJ, WD12, WJ, WJP, WJP1, WJ1, WKD6, WKT2, WKT4, WKT6, WMA3, WME2, WME4, WM1 |                      |
|          | 90136-MT4-000  | NUT, FLANGE, 8MM     | 2                                  | -   | -   | -   | 2119399 STS   |                      |
|          | 25             | 94101-05000          | WASHER, PLAIN, 5MM                 | 2   | -   | -   | 2119400 STS   |                      |
|          | 26             | 94101-06000          | WASHER, PLAIN, 6MM                 | (1) | -   | -   | LEH4, QEH, QPU  |                      |
|          | 27             | 94103-05700          | WASHER, PLAIN, 5MM                 | (3) | -   | -   | HHQ4, HX4, LAJ4, LD4, LEH4, LHQ4, LSJ4, LX4, QEH, QHQ4, QLL, QMA4, QME4, QPU, QX4, QX7, RD4, RHQ4, RX4, SAJ4, SD4, SHQ4, SXS4, SX4, SX7, TX4, VEX, VEX7, VX4, VX7, WDA6, WD12, WKT4, WMA3, WM1  |                      |
|          | 28             | 18300-ZH8-840        | MUFFLER ASSY.<br>(LOWER PROTECTOR) | 1   | -   | -   | LTK1, SJC1  |                      |
|          | 29             | 90016-ZE1-000        | BOLT, FLANGE, 6X13(CT200)          | 1   | -   | -   | SM11, SM12, SM14  |                      |
|          |                | 95701-06012-00       | BOLT, FLANGE, 6X12                 | 1   | -   | -   | 2249341 LTA   |                      |
|          |                |                      |                                    |     |     |     | SJC1  |                      |



| Ref. No. | Part No.      | Description          | Reqd. QTY |     |     |     | Serial No. | Parts catalogue code   |
|----------|---------------|----------------------|-----------|-----|-----|-----|------------|--|
|          |               |                      | (1)       | (2) | (3) | (4) |            |  |
|          |               |                      | GX120K1   |     |     |     |            |  |
| 30       | 90055-ZE1-000 | SCREW, TAPPING, 4X6  | 1         | -   | -   | -   | 3904653    | SXS4   |
|          |               |                      | 3         | -   | -   | -   |            | DS,LJ,LJC,LJS,LJT,LSJ,LTJ,LTK1,LTR,LTS,QSJ,QXS,QXS2,SAJ,SCJ,SJ |
|          |               |                      | 3         | -   | -   | -   | 2119399    | STC,SJC1,SJC5,SKJ,SKR,SMJ,VEK,VET,WJ,WJP,WJP1                  |
|          |               |                      | -         | (3) | -   | -   |            |  |
| 31       | 18310-ZE0-A20 | MUFFLER COMP.        | 1         | -   | -   | -   |            | VEK  |
| 32       | 18340-ZE0-A60 | PROTECTOR, TAIL PIPE | 1         | -   | -   | -   |            | VEK  |
| 33       | 90055-ZE1-000 | SCREW, TAPPING, 4X6  | 2         | -   | -   | -   |            | VEK  |

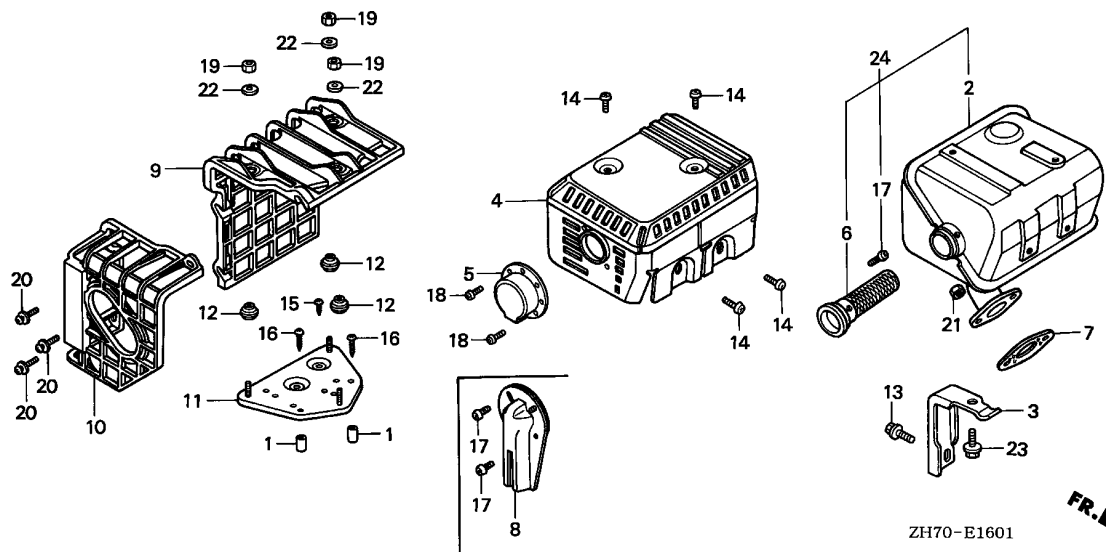




E-16-1

MUFFLER(2)

J16



| Ref. No. | L.O.N. | (Relative ref. Number) Description       | F.R.T. |
|----------|--------|--|--------|
| 2        | 3131C5 | MUFFLER, EXHAUST .....                   | 0.2    |
| 4        | 3131D9 | PROTECTOR, EXHAUST MUFFLER : OUTER ..... | 0.2    |
| 6        | 3131A1 | ARRESTER, SPARK .....                    | 0.2    |
| 7        | 3131B4 | GASKET, EXHAUST MUFFLER .....            | 0.2    |
| 9        | 3131A7 | COVER, EXHAUST MUFFLER .....             | 0.1    |
| 10       | 3131A6 | COVER, EXHAUST MUFFLER : REAR ..         | 0.1    |
| 11       | 3131A2 | BASE, EXHAUST MUFFLER COVER ..           | 0.2    |

ZH70-E1601



| Ref. No. | Part No.      | Description                             | Reqd. QTY |     |     |     | Serial No.  | Parts catalogue code |
|----------|---------------|---|-----------|-----|-----|-----|---|----------------------|
|          |               |   | (1)       | (2) | (3) | (4) |   |                      |
| 1        | 17233-896-701 | COLLAR, AIR CLEANER CASE .....          | (2)       | -   | -   | -   | QE,QMA8,QWA4,SE,SG24,SMA7,VMS4  |                      |
| 2        | 18310-ZE1-821 | MUFFLER COMP. (SILENT) .....            | 1         | -   | -   | -   | LE,QBU2,QE,QMA8,QWA4,QXC9,SAD2,SE,SG24,SJD2,SMA7,VEE1,VMS4,VSX,VSX1     |                      |
| 3        | 18315-ZE1-000 | STAY, MUFFLER .....                     | 1         | (1) | -   | -   | LE,QBU2,QE,QMA8,QWA4,QXC,QXC9,SAD2,SE,SG24,SJD2,SMA7,VEE1,VMS4,VSX,VSX1 |                      |
| 4        | 18321-ZH8-820 | PROTECTOR, MUFFLER OUTER (SILENT) ..... | 1         | (1) | -   | -   | 2030018 LE,QE,QXC,SE<br>2030018   |                      |
|          | 18320-ZF1-H50 | PROTECTOR, MUFFLER (SILENT) ..          | 1         | -   | -   | -   | 3468948 VSX,VSX1<br>2030019 2504429 QXC<br>2030019 3468948 LE,QE,SE     |                      |
|          | 18320-ZF1-H51 | .....                                   | 1         | (1) | -   | -   | 2030019 H1,L1,R1,U1,V1,W1<br>2030019 2468948 Q1,S1                      |                      |
|          |               |   | 1         | -   | -   | -   | QBU2,QMA8,QWA4,QXC9,SAD2,SG24,SJD2,SMA7,VEE1,VMS4                       |                      |
|          |               |   | 1         | -   | -   | -   | 2504430 QXC<br>3468949 LE,QE,SE,VSX,VSX1<br>2468949 Q1,S1               |                      |
| 5        | 18331-883-810 | CAP, MUFFLER .....                      | 1         | -   | -   | -   | QBU2,QMA8,QWA4,QXC,QXC9,SAD2,SG24,SJD2,SMA7,VMS4                        |                      |
|          |               |   | 1         | (1) | -   | -   | 3093870 VEE1  |                      |
| 6        | 18355-ZE1-810 | ARRESTER, SPARK (SILENT) .....          | 1         | -   | -   | -   | LE,QBU2,QE,QMA8,QWA4,QXC,QXC9,SAD2,SE,SG24,SJD2,SMA7,VEE1,VMS4          |                      |
|          |               |   | 1         | -   | -   | -   | 2816331 VSX,VSX1  |                      |
| 7        | 18381-ZH8-800 | GASKET, MUFFLER .....                   | 1         | (1) | -   | -   | LE,QBU2,QE,QMA8,QWA4,QXC,QXC9,SAD2,SE,SG24,SJD2,SMA7,VEE1,VMS4          |                      |
|          |               |   | -         | (1) | -   | -   | VSX,VSX1  |                      |

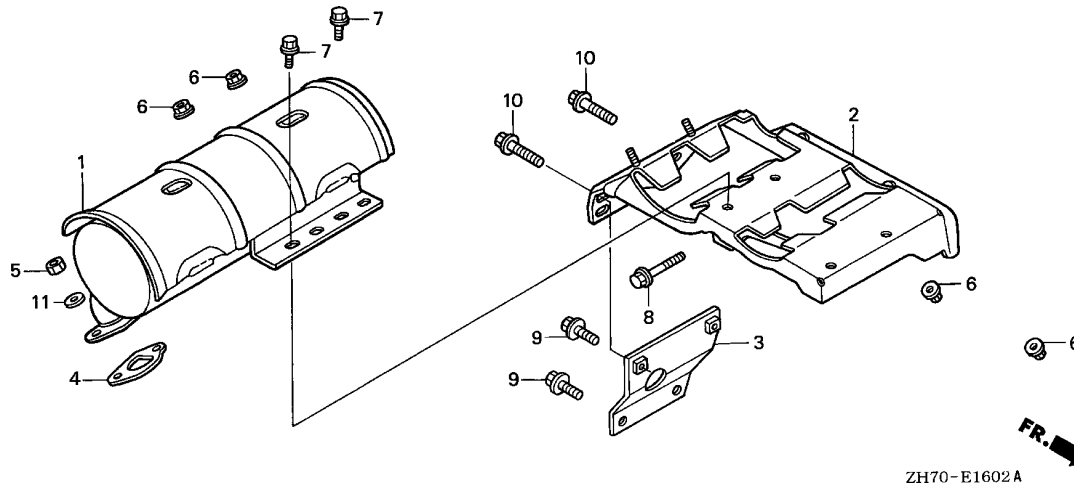
**E-16-1**

**MUFFLER(2)**



| Ref. No. | Part No.       | Description                   | Reqd. QTY |                |     |         | Serial No.  | Parts catalogue code |
|----------|----------------|-------------------------------|-----------|----------------|-----|---------|---|----------------------|
|          |                |                               | (1)       | GX120K1<br>(2) | (3) | (4)     |   |                      |
| 8        | 18431-ZH8-W50  | DEFLECTOR, MUFFLER .....      | (1)       | -              | -   | -       | QMA8,QWA4,SG24,SMA7,VMS4  |                      |
| 9        | 18433-ZH8-W40  | COVER COMP., MUFFLER .....    | (1)       | -              | -   | -       | QE,QMA8,QWA4,SE,SG24,SMA7,VMS4                                  |                      |
| 10       | 18434-ZH8-W40  | COVER COMP., MUFFLER RR. .... | (1)       | -              | -   | -       | QE,QMA8,QWA4,SE,SG24,SMA7,VMS4                                  |                      |
| 11       | 18436-ZH8-W40  | BASE COMP., MUFFLER COVER ... | (1)       | -              | -   | -       | QE,QMA8,QWA4,SE,SG24,SMA7,VMS4                                  |                      |
| 12       | 18466-ZH8-W40  | SPACER, MUFFLER COVER .....   | (3)       | -              | -   | -       | QE,QMA8,QWA4,SE,SG24,SMA7,VMS4                                  |                      |
| 13       | 90016-ZE1-000  | BOLT, FLANGE, 6X13(CT200) ... | 1         | -              | -   | -       | LE,QBU2,QE,QMA8,QWA4,QXC9,SAD2,SE,SG24,SJD2,SMA7,VEE1,VMS4,VSX1 |                      |
|          |                |                               | 1         | -              | -   | 2299936 | QXC   |                      |
| 14       | 90050-ZE1-000  | SCREW, TAPPING, 5X8 .....     | 4         | -              | -   | -       | LE,QBU2,QE,QMA8,QWA4,QXC,QXC9,SAD2,SE,SG24,SJD2,SMA7,VEE1,VMS4  |                      |
|          |                |                               | 4         | -              | -   | 2816331 | VSX,VSX1  |                      |
|          | 90050-ZE3-H00  | .....                         | 4         | -              | -   | 2816332 | VSX,VSX1  |                      |
| 15       | 90050-ZE1-000  | SCREW, TAPPING, 5X8 .....     | 1         | -              | -   | -       | QWA4,VMS4   |                      |
|          |                |                               | (1)       | -              | -   | -       | QE,QMA8,SE,SG24,SMA7  |                      |
| 16       | 90050-ZH8-W40  | SCREW, TAPPING, 5X25 .....    | (2)       | -              | -   | -       | QE,QMA8,QWA4,SE,SG24,SMA7,VMS4                                  |                      |
| 17       | 90055-ZE1-000  | SCREW, TAPPING, 4X6 .....     | 1         | (1)            | -   | -       | H1,LE,L1,QBU2,QE,QXC,R1,SAD2,S1,U1,V1,W1                        |                      |
|          |                |                               | 1         | -              | -   | 2816331 | VSX,VSX1  |                      |
|          | 90056-ZL0-000  | .....                         | 1         | (1)            | -   | -       | QMA8,QWA4,QXC9,Q1,SE,SG24,SJD2,SMA7,VEE1,VMS4                   |                      |
|          | 90055-ZE1-000  | .....                         | (2)       | -              | -   | -       | QMA8,QWA4,SG24,SMA7,VMS4  |                      |
| 18       | 90055-ZE1-000  | SCREW, TAPPING, 4X6 .....     | 2         | -              | -   | -       | QBU2,QMA8,QWA4,QXC,QXC9,SAD2,SG24,SJD2,SMA7,VMS4                |                      |
|          |                |                               | 2         | -              | -   | 3093870 | VEE1  |                      |
|          |                |                               | -         | (2)            | -   | -       | 2288495   |                      |
|          | 90002-ZG0-003  | SCREW, TAPPING, 4X8 .....     | -         | (2)            | -   | 2288496 |   |                      |
| 19       | 90302-KF9-900  | NUT, HEX., 5MM .....          | (3)       | -              | -   | -       | QE,QMA8,QWA4,SE,SG24,SMA7,VMS4                                  |                      |
| 20       | 93891-06020-07 | SCREW-WASHER, 6X20 .....      | (3)       | -              | -   | -       | QE,QMA8,QWA4,SE,SG24,SMA7,VMS4                                  |                      |
| 21       | 94001-08000-0S | NUT, HEX., 8MM .....          | 2         | -              | -   | -       | LE,QBU2,QE,QMA8,QWA4,QXC,QXC9,SAD2,SE,SG24,SJD2,SMA7,VEE1,VMS4  |                      |
|          |                |                               | -         | 2              | -   | -       | VSX,VSX1  |                      |
| 22       | 94103-05700    | WASHER, PLAIN, 5MM .....      | (3)       | -              | -   | -       | QE,QMA8,QWA4,SE,SG24,SMA7,VMS4                                  |                      |
| 23       | 95900-06012-00 | BOLT, FLANGE, 6X12 .....      | 1         | (1)            | -   | -       | H1,LE,L1,QE,Q1,R1,SE,S1,VSX,VSX1,V1,W1                          |                      |
|          |                |                               | 1         | -              | -   | 2504429 | QXC   |                      |
|          |                |                               | -         | (1)            | -   | -       | U1  |                      |
|          | 95701-06012-00 | .....                         | 1         | (1)            | -   | -       | H1,LE,L1,QE,Q1,R1,SE,S1,VSX,VSX1,V1,W1                          |                      |
|          |                |                               | 1         | -              | -   | -       | QBU2,QMA8,QWA4,QXC9,SAD2,SG24,SJD2,SMA7,VEE1,VMS4               |                      |
|          |                |                               | 1         | -              | -   | 2504430 | QXC   |                      |
| 24       | 183A1-ZE1-821  | MUFFLER COMP. (SILENT) .....  | 1         | -              | -   | -       | QXC   |                      |





| Ref. No. | L.O.N. | (Relative ref. Number) Description | F.R.T. |
|----------|--------|------------------------------------|--------|
| 1        | 3131C5 | MUFFLER, EXHAUST .....             | 0.2    |
| 2        | 3131E1 | STAY, MUFFLER .....                | 0.3    |
| 4        | 3131B4 | GASKET, EXHAUST MUFFLER .....      | 0.2    |

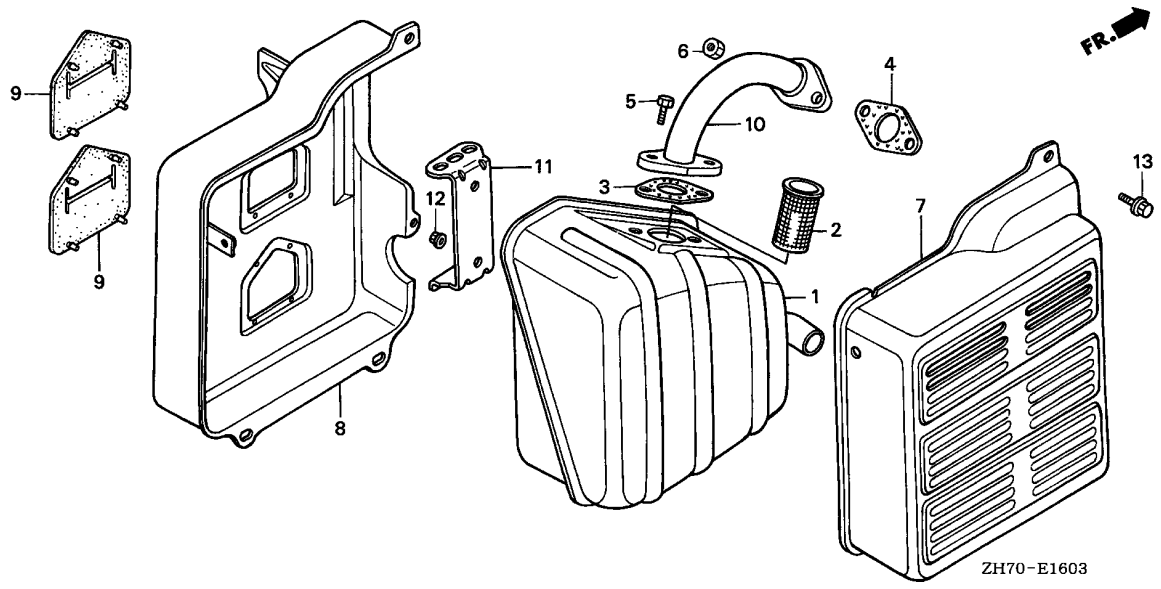
2

| Ref. No. | Part No.       | Description               | Reqd. QTY |     |     |     | Serial No.                             | Parts catalogue code |
|----------|----------------|---------------------------|-----------|-----|-----|-----|--|----------------------|
|          |                |                           | (1)       | (2) | (3) | (4) |  |                      |
|          |                |                           | GX120K1   |     |     |     |  |                      |
| 1        | 18310-ZK7-V01  | MUFFLER COMP. ....        | 1         | -   | -   | -   | AR,DKR,KR,KRA4,KRF4,KRS4,KRT,KRT4,KRT6 |                      |
| 2        | 18338-ZK7-V00  | STAY COMP., MUFFLER ..... | 1         | -   | -   | -   | AR,DKR,KR,KRA4,KRF4,KRS4,KRT,KRT4,KRT6 |                      |
| 3        | 18338-ZK7-V20  | STAY COMP., MUFFLER ..... | 1         | -   | -   | -   | KRT,KRT4,KRT6                          |                      |
| 4        | 18381-ZH8-800  | GASKET, MUFFLER .....     | 1         | -   | -   | -   | AR,DKR,KR,KRA4,KRF4,KRS4,KRT,KRT4,KRT6 |                      |
| 5        | 94001-08000-0S | NUT, HEX., 8MM .....      | 2         | -   | -   | -   | AR,DKR,KR,KRA4,KRF4,KRS4,KRT,KRT4,KRT6 |                      |
| 6        | 94050-06000    | NUT, FLANGE, 6MM .....    | 4         | -   | -   | -   | AR,DKR,KR,KRA4,KRF4,KRS4,KRT,KRT4,KRT6 |                      |
| 7        | 95701-06016-00 | BOLT, FLANGE, 6X16 .....  | 2         | -   | -   | -   | AR,DKR,KR,KRA4,KRF4,KRS4,KRT,KRT4,KRT6 |                      |
| 8        | 95701-06025-00 | BOLT, FLANGE, 6X25 .....  | 1         | -   | -   | -   | AR,DKR,KR,KRA4,KRF4,KRS4,KRT,KRT4,KRT6 |                      |
| 9        | 95701-08012-00 | BOLT, FLANGE, 8X12 .....  | 2         | -   | -   | -   | KRT,KRT4,KRT6                          |                      |
| 10       | 95701-08018-00 | BOLT, FLANGE, 8X18 .....  | 2         | -   | -   | -   | KRT,KRT4,KRT6                          |                      |
|          | 95701-08020-00 | BOLT, FLANGE, 8X20 .....  | 2         | -   | -   | -   | AR,DKR,KR,KRA4,KRF4,KRS4               |                      |
| 11       | 94103-08700    | WASHER, PLAIN, 8MM .....  | 2         | -   | -   | -   | KRS4                                   |                      |

E-16-3

MUFFLER(4)

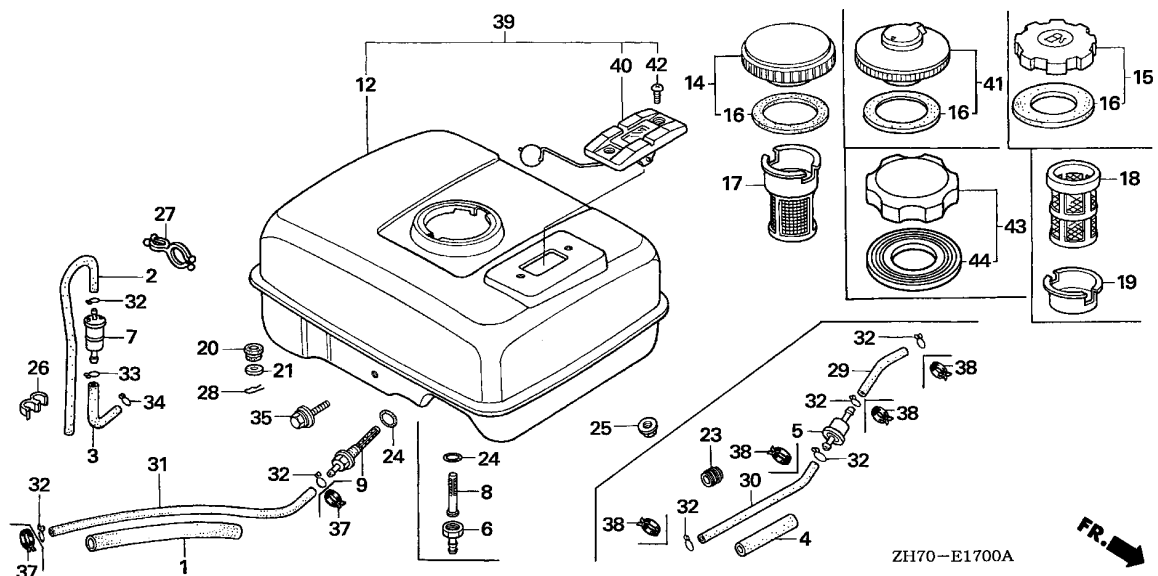
K 3



| Ref. No. | L.O.N. | (Relative ref. Number) Description          | F.R.T. |
|----------|--------|---|--------|
| 1        | 3131C5 | MUFFLER, EXHAUST .....                      | 0.2    |
| 2        | 3131A1 | ARRESTER, SPARK .....                       | 0.2    |
| 3        | 3131B4 | GASKET, EXHAUST MUFFLER .....               | 0.2    |
| 4        | 3131B4 | GASKET, EXHAUST MUFFLER .....               | 0.2    |
| 7        | 3131D9 | PROTECTOR, EXHAUST MUFFLER<br>: OUTER ..... | 0.2    |
| 8        | 3131D8 | PROTECTOR, EXHAUST MUFFLER<br>: INNER ..... | 0.2    |
| 9        | 3131G6 | SEAL, MUFFLER PROTECTOR .....               | 0.2    |

| Ref. No. | Part No.       | Description                    | Reqd. QTY |     |     |     | Serial No. | Parts catalogue code |
|----------|----------------|--------------------------------|-----------|-----|-----|-----|------------|----------------------|
|          |                |                                | (1)       | (2) | (3) | (4) |            |                      |
| 1        | 18310-ZB3-C00  | MUFFLER COMP. ....             | 1         | -   | -   | -   | VMT, VPR4  |                      |
| 2        | 18355-898-630  | ARRESTER, SPARK .....          | 1         | -   | -   | -   | VPR4       |                      |
| 3        | 18381-ZE1-800  | GASKET, MUFFLER .....          | 1         | -   | -   | -   | VMT, VPR4  |                      |
| 4        | 18381-ZH8-800  | GASKET, MUFFLER .....          | 1         | -   | -   | -   | VMT, VPR4  |                      |
| 5        | 92101-08020-0A | BOLT, HEX., 8X20 .....         | 2         | -   | -   | -   | VMT, VPR4  |                      |
| 6        | 94001-08000-0S | NUT, HEX., 8MM .....           | 2         | -   | -   | -   | VMT, VPR4  |                      |
| 7        | 18320-ZB2-000  | PROTECTOR, MUFFLER OUTER ..... | 1         | -   | -   | -   | VMT        |                      |
| 8        | 18325-ZB2-000  | PROTECTOR, MUFFLER INNER ..... | 1         | -   | -   | -   | VMT        |                      |
| 9        | 18329-ZB2-000  | SEAL, MUFFLER PROTECTOR .....  | 2         | -   | -   | -   | VMT        |                      |
| 10       | 18330-ZB2-000  | PIPE COMP., EX. ....           | 1         | -   | -   | -   | VMT        |                      |
| 11       | 18338-ZB3-E30  | STAY, MUFFLER .....            | 1         | -   | -   | -   | VMT        |                      |
| 12       | 94050-06000    | NUT, FLANGE, 6MM .....         | 2         | -   | -   | -   | VMT        |                      |
| 13       | 95701-06012-00 | BOLT, FLANGE, 6X12 .....       | 5         | -   | -   | -   | VMT        |                      |

2



| Ref. No. | L.O.N. | (Relative ref. Number) Description | F.R.T. |
|----------|--------|------------------------------------|--------|
| 3        | 3101G0 | TUBE, FUEL STRAINER                | 0.1    |
| 7        | (5)    |                                    |        |
| 7        | 3101H8 | STRAINER, FUEL                     | 0.1    |
| 8        | 3101D5 | SCREEN, FUEL STRAINER              | 0.2    |
| 9        | 3101H6 | STRAINER, JOINT FUEL               | 0.2    |
| 12       | 3101H7 | TANK, FUEL                         | 0.2    |
| 17       | (18)   |                                    |        |
| 17       | 3101A6 | FILTER, FUEL                       | 0.1    |
| 31       | 3101F1 | TUBE, FUEL TANK                    | 0.2    |
| 40       | 6171A1 | METER UNIT, FUEL                   | 0.1    |

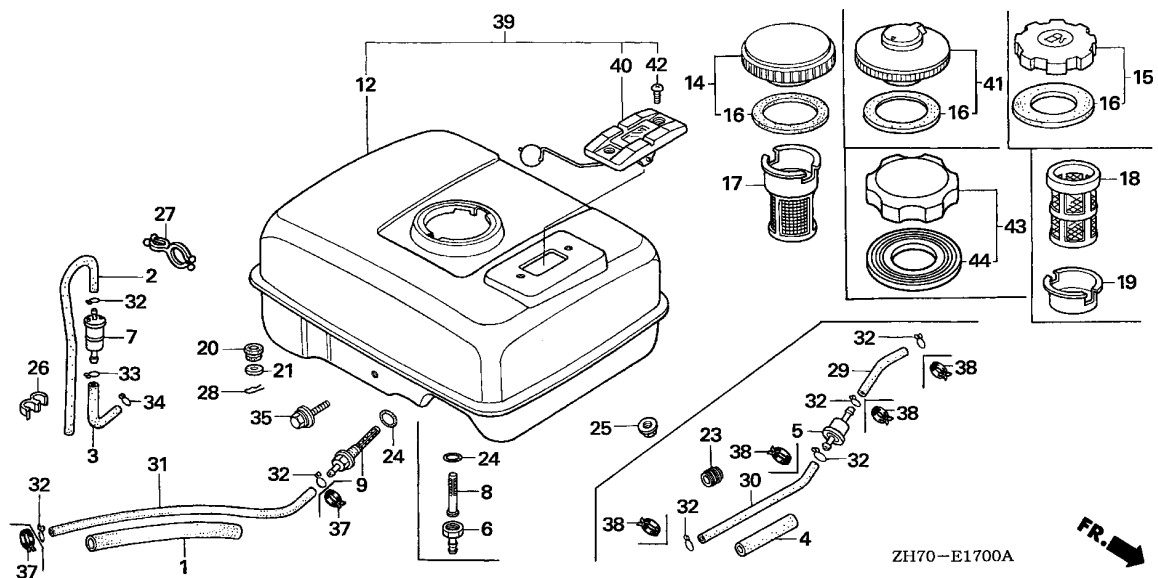
ZH70-E1700A



| Ref. No. | Part No.      | Description                   | Reqd. QTY |     |     |     | Serial No. | Parts catalogue code  |
|----------|---------------|-------------------------------|-----------|-----|-----|-----|------------|---|
|          |               |                               | (1)       | (2) | (3) | (4) |            |   |
| 1        | 16854-ZH8-000 | RUBBER, SUPPORTER (107MM) ... | 1         | -   | -   | -   | 4091237    | AR,DKR,DS,EN,ET,ETX,HH,HHQ4,HTF2,HT2,HX,HXQ,HXU,HX2,HX26,HX4<br>KR,KRA4,KRT,KRT4,KRT6,LAJ4,LD,LDB1,LDB3,LD4,LE,LEH4,LH,LHQ4,LJ<br>LJC,LJD2,LJS,LJT,LSJ,LSJ4,LTA,LTJ,LTK1,LW2,LX,LXU,LX2,LX26,LX4<br>PH,PM,PM2,PX,PX2,QA,QAA2,QA2,QA26,QBU2,QD,QE,QEH,QH,QHQ4,QH2<br>QH26,QJG2,QJW1,QLL,QM,QMA4,QMA8,QME4,QMH,QMX2,QPU,QSJ,QT,QTC2<br>QWA4,QX,QXC,QXC9,QXG,QXG2,QXQ,QXS,QXS2,QXU,QX2,QX26,QX4,QX7,RD<br>RD4,RH,RHQ4,RX,RX4,SAD2,SAJ,SAJ4,SCJ,SD,SDB1,SDB3,SD16,SD4,SE<br>SG24,SH,SHQ4,SJ,SJC,SJC1,SJC5,SJD2,SKJ,SMA7,SMJ,SMW2,SM11,SM12<br>SM14,SN,SSK1,SSK2,SSK3,SSX2,SSX4,STP,STS,SWX2,SWX4,SW2,SX,SXS4<br>SX4,SX7,TH,TX,TX2,TX26,TX4,UH,UX,UXU,VA,VED,VED1,VED6,VEE1,VEK<br>VET,VEX,VEX7,VH,VMS4,VS,VSX,VSX1,VS1,VX,VXU,VX4,VX7,WDA6,WDJ<br>WD12,WJ,WJP,WJP1,WKD6,WKT2,WKT4,WKT6,WMA3,WME2,WME4 |
|          |               |                               | 1         | -   | -   | -   | 4091237    | KRS4  |
| 2        | 16198-ZG0-U00 | TUBE A, AIR VENT              | 1         | (1) | 1   | 1   |            | AR,DKR,KR,KRA4,KRF4,KRT,KRT4,KRT6   |
| 3        | 16199-KCR-000 | TUBE                          | 1         | -   | -   | -   |            | AR,DKR,KR,KRA4,KRF4,KRT,KRT4,KRT6   |
| 4        | 16854-ZH8-810 | RUBBER, SUPPORTER (50MM)      | 1         | -   | -   | -   | 4091238    | VPR4  |
|          |               |                               | 1         | -   | -   | -   | 4091238    | KRS4  |
| 5        | 16910-GB2-005 | STRAINER COMP., FUEL          | 1         | -   | -   | -   |            | AR,KRA4,VPR4  |
|          |               |                               | 1         | -   | -   | -   | 3284617    | KRT4  |
|          |               |                               | 1         | -   | -   | -   | 4091238    | KRS4  |
| 6        | 16950-732-000 | JOINT, FUEL                   | 1         | -   | -   | -   |            | EN,ET,ETX   |
| 7        | 16910-ZG0-U01 | STRAINER COMP., FUEL          | 1         | -   | -   | -   | 3514171    | AR,DKR,KR,KRA4,KRT,KRT4,KRT6  |
|          | 16910-ZG0-U02 |                               | 1         | -   | -   | -   |            | KRF4  |
|          |               |                               | 1         | -   | -   | -   | 3514172    | AR,DKR,KR,KRA4,KRT,KRT4,KRT6  |
| 8        | 16952-883-005 | SCREEN SET                    | 1         | -   | -   | -   |            | EN,ET,ETX   |

| Ref. No. | Part No.        | Description                                   | Reqd. QTY |     |     |         | Serial No.  | Parts catalogue code |
|----------|-----------------|---|-----------|-----|-----|---------|---|----------------------|
|          |                 |   | (1)       | (2) | (3) | (4)     |   |                      |
| 9        | 16955-ZE1-000   | JOINT, FUEL TANK .....                        | 1         | -   | -   | -       | DS,HH,HHQ4,HTF2,HT2,HX,HXQ,HXU,HX2,HX26,HX4,LAJ4,LD,LDB1,LDB3,LD4,LE,LEH4,LH,LHQ4,LJ,LJC,LJD2,LJS,LJT,LSJ,LSJ4,LTA,LTJ,LTJ1,LW2,LX,LXU,LX2,LX26,LX4,PH,PM,PM2,PX,QA,QAA2,QA2,QA26,QBU2,QD,QE,QEH,QH,QHQ4,QH2,QH26,QJG2,QJW1,QLL,QM,QMA4,QMA8,QME4,QMH,QMX2,QPU,QSJ,QT,QTC2,QWA4,QX,QXC,QXC9,QXG,QXG2,QXQ,QXS,QXS2,QXU,QX2,QX26,QX4,QX7,RD,RD4,RH,RHQ4,RX,RX4,SAD2,SAJ,SAJ4,SCJ,SD,SDB1,SDB3,SD16,SD4,SE,SG24,SH,SHQ4,SJ,SJC,SJC1,SJC5,SJD2,SKJ,SKR,SMA7,SMJ,SMW2,SM11,SM12,SM14,SN,SSK1,SSK2,SSK3,SSX2,SSX4,STP,STS,SWX2,SWX4,SW2,SX,SXS4,SX4,SX7,TH,TH,TH2,TH26,TH4,UH,UX,UXU,VA,VED,VED1,VED6,VEE1,VEK,VET,VEX,VEX7,VH,VMS4,VS,VSX,VSX1,VS1,VX,VXU,VX4,VX7,WDA6,WDJ,WD12,WJ,WJP,WJP1,WKD6,WKT2,WKT4,WKT6,WMA3,WME2,WME4 |                      |
|          |                 |   | -         | (1) | 1   | 1       |   |                      |
| 12       | 17510-ZE0-020ZA | TANK COMP., FUEL<br>*NH31*.....MCKINLEY WHITE | 1         | -   | -   | -       | DS,HH,HHQ4,HTF2,HT2,HX,HXQ,HXU,HX2,HX26,HX4,LAJ4,LD,LDB1,LDB3,LD4,LE,LH,LHQ4,LJ,LJC,LJS,LJT,LSJ,LSJ4,LTA,LTJ,LTJ1,LW2,LX,LXU,LX2,LX26,LX4,PH,PM,PM2,PX,QA,QAA2,QA2,QA26,QBU2,QD,QE,QH,QHQ4,QH2,QH26,QJW1,QLL,QM,QMA4,QMA8,QME4,QMH,QMX2,QPU,QSJ,QT,QTC2,QWA4,QX,QXC,QXC9,QXG,QXG2,QXQ,QXS,QXS2,QXU,QX2,QX26,QX4,QX7,RD,RD4,RH,RHQ4,RX,RX4,SAD2,SAJ,SAJ4,SCJ,SD,SDB1,SDB3,SD16,SD4,SE,SH,SHQ4,SJ,SJC,SJC1,SJC5,SMA7,SMW2,SN,STP,STS,SW2,SX,SXS4,SX4,SX7,TH,TH,TH2,TH26,TH4,UH,UX,UXU,VA,VED,VED1,VEK,VET,VEX,VEX7,VH,VMS4,VS,VSX,VSX1,VX,VXU,VX4,VX7,WDA6,WDJ,WD12,WJ,WJP,WJP1,WKD6,WKT2,WKT4,WKT6,WMA3,WME2,WME4  |                      |
|          | 17510-ZE0-020ZB | *R8*.....BRIGHT RED                           | 1         | -   | -   | -       | LEH4,GEH,VS1  |                      |
|          | 17510-ZE0-020ZD | *NH1*.....BLACK                               | 1         | -   | -   | -       | 4147626 VSX1  |                      |
|          | 17510-ZE0-020ZE | *T51*.....JACOBSEN ORANGE                     | 1         | -   | -   | 2242263 | HXQ,HX2,LX2,PX2,QA2,QH2,QMX2,QWA4,QXC9,QXG2,QXQ,QXS2,QX2,SG24,SM11,SM12,SM14,SSK1,SSK2,SSK3,SSX2,SSX4,TX2,TX4,VSX   |                      |
|          | 17510-ZE0-020ZG | *NH105*...MAT BLACK (#15-#20)                 | 1         | -   | -   | -       | QX, TX  |                      |
|          | 17510-ZE0-020ZH | *Y131*.....LIGHTNING YELLOW                   | 1         | -   | -   | -       | QXG2  |                      |
|          | 17510-ZE0-020ZJ | *T77*.....SEC WINE RED                        | 1         | -   | -   | -       | QXG   |                      |
|          | 17510-ZE0-020ZK | *T73*.....EXEN GRAY                           | 1         | -   | -   | -       | SWX2,SWX4   |                      |
|          | 17510-ZF0-T00ZA | *NH31*.....MCKINLEY WHITE                     | 1         | -   | -   | -       | VSX1  |                      |
|          | 17510-ZH7-A20ZB | *NH111*.....CORTINA WHITE                     | 1         | -   | -   | -       | VSX,VSX1  |                      |
|          | 17510-ZH7-A20ZD | *NH31*.....MCKINLEY WHITE                     | 1         | -   | -   | -       | VEE1  |                      |
|          | 17510-ZK7-U20ZA | *NH105*...MAT BLACK (#15-#20)                 | 1         | -   | -   | -       | SMJ   |                      |
|          | 17510-ZK7-U20ZB | *T51*.....JACOBSEN ORANGE                     | 1         | -   | -   | -       | SKJ,VEK   |                      |
|          | 17510-ZE0-020ZL | *R280*.....POWER RED                          | 1         | -   | -   | 4147627 | LJD2,QJG2,SJD2  |                      |
| 14       | 17620-ZE2-W00   | CAP COMP., FUEL FILLER<br>(CHROME PLATED)     | 1         | -   | -   | -       | QJG2  |                      |
|          | 17620-890-010   | CAP COMP., FUEL FILLER .....                  | -         | (1) | -   | -       | VSX1  |                      |
|          | 17620-ZE2-W00   | CAP COMP., FUEL FILLER<br>(CHROME PLATED)     | 1         | -   | -   | -       | DS,EN,ET,ETX,HH,HX,HXQ,HX2,LD,LE,LH,LJ,LTJ,LW2,LX,LX2,PH,PM,PM2,PX,QA,QA2,QD,QE,QEH,QH,QH2,QLL,QM,QPU,QSJ,QT,QX,QXC,QXG,QXG2,QXQ,QXS,QXS2,QX2,RD,RH,RX,SCJ,SD,SE,SH,SJ,SKJ,SMJ,SN,STS,SW2,SX,TH,TH,TH2,TH26,TH4,UH,UX,VA,VED,VED1,VET,VEX,VH,VS,VSX,VSX1,VS1,VX,WJ  |                      |
|          |                 |   | -         | (1) | -   | -       | 2421922   |                      |
|          |                 |   | 1         | -   | -   | -       | LDB1,LDB3,SDB1,SDB3,VEE1  |                      |
|          |                 |   | 1         | -   | -   | -       | 2533058 QT  |                      |
|          |                 |   | -         | -   | 1   | 1       |   |                      |





ZH70-E1700A

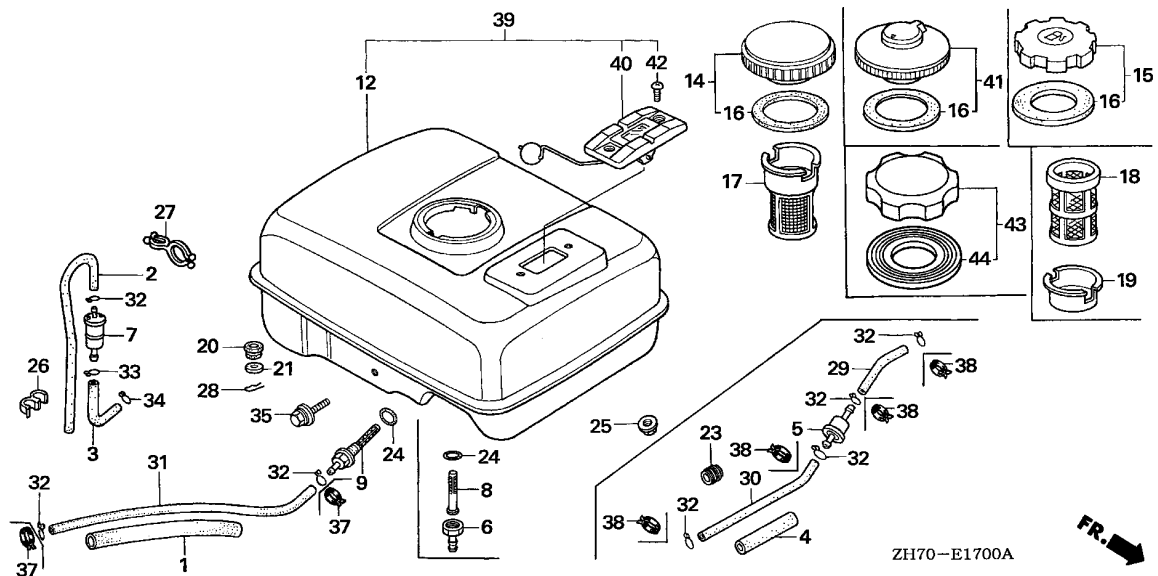


| Ref. No. | Part No.      | Description                    | Reqd. QTY |     |     |     | Serial No. |         | Parts catalogue code   |
|----------|---------------|--------------------------------|-----------|-----|-----|-----|------------|---------|--|
|          |               |                                | (1)       | (2) | (3) | (4) | GX120K1    |         |  |
| 15       | 17620-ZH7-013 | CAP COMP., FUEL FILLER         | 1         | (1) | -   | -   | 2421923    | 3053130 | DS,EN,ET,ETX,HH,HX,HXQ,HX2,H1,LD,LE,LH,LJ,LTJ,LW2,LX,LX2,L1,PH,PM,PM2,PX,QA,QA2,QD,QE,QEH,QH,QH2,QLL,QM,QPU,QSJ,QX,QXC,QXG,QXG2,QXQ,QXS,QXS2,QX2,Q1,RD,RH,RX,R1,SCJ,SD,SE,SH,SJ,SKJ,SMJ,SN,STS,SW2,SX,S1,TH,TX,TX2,UH,UX,VA,VED,VED1,VET,VEX,VH,VS,VSX,VSX1,VS1,VX,WJ,W1   |
|          |               |                                | 1         | -   | -   | -   | -----      | 3053130 | HHQ4,HTF2,HX26,HX4,LD4,LEH4,LHQ4,LJD2,LSJ,LX26,LX4,PX2,QAA2,QA26,QBU2,QHQ4,QH26,QJW1,QMA4,QMA8,QME4,QMH,QMX2,QTC2,QXC9,QX26,QX4,RD4,RHQ4,RX4,SAD2,SAJ,SD16,SD4,SG24,SHQ4,SJC,SJC1,SJC5,SMA7,SMW2,SSK1,SSK2,SSK3,SSX4,STP, SX4, TX26, TX4, VX4, WDJ, WD12, WJP, WJP1, WKT2, WMA3, WME2  |
|          |               |                                | 1         | -   | -   | -   | 2421923    | 2533057 | QT   |
|          |               |                                | -         | (1) | -   | -   | 2421923    | -----   | U1,V1  |
|          | 17620-ZH7-023 | CAP COMP., FUEL FILLER (BLACK) | 1         | (1) | -   | -   | 3053131    | -----   | EN,ET,ETX,HH,HXQ,LD4,LE,LEH4,LW2,LX26,PH,PM,PM2,QAA2,QA26,QBU2,QE,QEH,QH2,QJW1,QMH,QPU,QSJ,QTC2,QXC,QXG,QXG2,QXQ,QXS,RH,SAD2,SJC,SKJ,SN,SSK2,SW2,S1,TH,UH,UX,VA,VH,VS,VS1,WDJ,WJP1,W1  |
|          |               |                                | 1         | (1) | -   | -   | 3053131    | 4203082 | DS,HHQ4,HTF2,HX,HX2,HX26,HX4,H1,LD,LH,LHQ4,LJ,LJD2,LSJ,LTJ,LX,LX2,LX4,L1,PX,PX2,QA,QA2,QD,QH,QHQ4,QH26,QLL,QM,QMA4,QMA8,QME4,QMX2,QX,QXC9,QXS2,QX2,QX26,QX4,Q1,RD,RD4,RHQ4,RX,RX4,R1,SAJ,SCJ,SD,SD16,SD4,SE,SG24,SH,SHQ4,SJ,SJC1,SJC5,SMA7,SMJ,SMW2,SSK1,SSK3,SSX4,STP,STS,SX, SX4, TX, TX2, TX26, TX4, VED, VED1, VET, VEX, VSX, VSX1, VX, VX4, WD12, WJ, WJP, WKT2, WMA3, WME2 |
|          |               |                                | 1         | -   | -   | -   | -----      | -----   | LJT  |
|          |               |                                | 1         | -   | -   | -   | -----      | 4203082 | HT2,HXU,LAJ4,LJC,LJS,LSJ4,LTK1,LXU,QJG2,QAA4,QXU,QX7,SAJ4,SJD2,SKR,SM11,SM12,SM14,SSX2,SWX2,SWX4,SXS4, SX7, UXU, VED6, VEK, VEX7, VMS4, VXU, VX7, WDA6, WKD6, WKT4, WKT6, WME4   |

| Ref. No. | Part No.      | Description                           | Reqd. QTY |                |     |     | Serial No.   | Parts catalogue code |
|----------|---------------|---------------------------------------|-----------|----------------|-----|-----|--|----------------------|
|          |               |                                       | (1)       | GX120K1<br>(2) | (3) | (4) |  |                      |
| 16       | 17631-329-003 | PACKING, FUEL FILLER CAP<br>(39X58X3) | 1         | -              | -   | -   | 2421922 DS,EN,ET,ETX,HH,HX,HXQ,HX2,LD,LE,LH,LJ,LTJ,LW2,LX,LX2,PH,PM,PM2,PX,QA,QA2,QD,QE,QEH,QH,QH2,QLL,QM,QPU,QS,QT,QX,QXC,QXG,QXG2,QXQ,QXS,QXS2,QX2,RD,RH,RX,SCJ,SD,SE,SH,SJ,SKJ,SMJ,SN,STS,SW2,SX,TH,TX,TX2,UH,UX,VA,VED,VED1,VET,VEX,VH,VS,VSX,VSX1,VS1,VX,WJ   |                      |
|          | 17631-ZH7-003 | .....                                 | -         | (1)            | -   | -   | 2421922  |                      |
|          |               |                                       | 1         | (1)            | -   | -   | 2421923 EN,ET,ETX,HH,HXQ,LE,LW2,PH,PM,PM2,QE,QEH,QH2,QPU,QS,QT,QX,QXC,QXG,QXG2,QXQ,QXS,RH,SKJ,SN,SW2,S1,TH,UH,UX,U1,VA,VH,VS,VS1,V1,W1,DS,HX,HX2,H1,LD,LH,LJ,LTJ,LX,LX2,L1,PX,QA,QA2,QD,QH,QLL,QM,QX,QXS2,QX2,Q1,RD,RX,R1,SCJ,SD,SE,SH,SJ,SMJ,STS,SX,TX,TX2,VED,VED1,VET,VEX,VSX,VSX1,VX,WJ  |                      |
|          |               |                                       | 1         | -              | -   | -   | 4203082 LD4,LEH4,LJT,LX26,QAA2,QA26,QBU2,QJW1,QMH,QTC2,SAD2,SJC,SSK2,WDJ,WJP1  |                      |
|          |               |                                       | 1         | -              | -   | -   | 4203082 HHQ4,HTF2,HT2,HXU,HX26,HX4,LAJ4,LHQ4,LJC,LJD2,LJS,LSJ,LSJ4,LTK1,LXU,LX4,PX2,QHQ4,QH26,QJG2,QMA4,QMA8,QME4,QMX2,QWA4,QXC9,QXU,QX26,QX4,QX7,RD4,RHQ4,RX4,SAJ,SAJ4,SD16,SD4,SG24,SHQ4,SJC1,SJC5,SJD2,SKR,SMA7,SMW2,SM11,SM12,SM14,SSK1,SSK3,SSX2,SSX4,STP,SWX2,SWX4,SXS4,SX4,SX7,TX26,TX4,UXU,VED6,VEK,VEX7,VMS4,VXU,VX4,VX7,WDA6,WD12,WJP,WKD6,WKT2,WKT4,WKT6,WMA3,WME2,WME4 |                      |
|          | 17631-329-003 | .....                                 | 1         | -              | -   | -   | 2421923 2533057 QT   |                      |
|          |               |                                       | 1         | -              | -   | -   | LDB1,LDB3,LTA,SDB1,SDB3,VEE1   |                      |
|          |               |                                       | 1         | -              | -   | -   | 2533058 QT   |                      |
|          |               |                                       | -         | -              | 1   | 1   |  |                      |
| 17       | 17672-ZE2-W00 | FILTER, FUEL .....                    | 1         | -              | -   | -   | 1287119 DS,LJ,QSJ,SJ,SMJ,STS,VET,WJ  |                      |
|          |               |                                       | 1         | -              | -   | -   | 2187119 LW2,QA,QT,SN,SW2,VED,VED1,VS,VSX   |                      |
|          |               |                                       | -         | (1)            | -   | -   | 2187119  |                      |
|          | 17672-ZE2-W01 | .....                                 | 1         | -              | -   | -   | LAJ4,LDB3,LJS,LJT,LSJ,LSJ4,LTK1,QAA2,QA26,QLL,QMH,QMX2,QTC2,SAJ,SAJ4,SCJ,SDB3,SJC,SKR,SMW2,SM11,SM12,SM14,SSK1,SSK2,SSK3,SSX2,SSX4,STP,VED6,WDA6,WDJ,WJP,WJP1,WKD6,WKT2,WKT4,WKT6,WME2   |                      |
|          |               |                                       | 1         | -              | -   | -   | 2328483 DS,EN,ET,ETX,LJ,LTA,LTJ,LW2,QA2,QS,QT,SJ,SMJ,SN,STS,SW2,VED,VED1,VET,VS,VSX,VSX1,VS1,WJ  |                      |
|          |               |                                       | 1         | -              | -   | -   | 3187097 SJC1,SJC5  |                      |
|          |               |                                       | 1         | -              | -   | -   | 3575682 LJC  |                      |
|          |               |                                       | -         | (1)            | -   | -   | 2328483  |                      |
|          |               |                                       | -         | -              | 1   | -   |  |                      |
|          | 17670-ZH7-A81 | FILTER COMP., FUEL .....              | 1         | -              | -   | -   | VEK  |                      |
|          |               |                                       | 1         | -              | -   | -   | 2340188 SKJ  |                      |
| 18       | 17672-880-000 | FILTER, FUEL .....                    | 1         | -              | -   | -   | 3187098 SJC1,SJC5  |                      |
|          |               |                                       | 1         | -              | -   | -   | 3575683 LJC  |                      |
|          |               |                                       | 1         | -              | -   | -   | 2328482 EN,ET,ETX,LTA,LTJ,QA2,VSX1,VS1   |                      |
|          |               |                                       | 1         | -              | -   | -   | 1287120 2328482 DS,LJ,QSJ,SJ,SMJ,STS,VET,WJ  |                      |
|          |               |                                       | 1         | -              | -   | -   | 2187120 2328482 LW2,QA,QT,SN,SW2,VED,VED1,VS,VSX   |                      |
|          |               |                                       | -         | (1)            | -   | -   | 2187120 2328482  |                      |
|          | 17672-887-791 | .....                                 | 1         | -              | -   | -   | VEE1   |                      |
|          |               |                                       | 1         | -              | -   | -   | 2340187 SKJ  |                      |
| 19       | 17673-893-000 | HOLDER, FUEL FILTER .....             | 1         | -              | -   | -   | VEE1   |                      |
|          |               |                                       | 1         | -              | -   | -   | 3187098 SJC1,SJC5  |                      |
|          |               |                                       | 1         | -              | -   | -   | 3575683 LJC  |                      |
|          |               |                                       | 1         | -              | -   | -   | 2328482 EN,ET,ETX,QA2,VSX1,VS1   |                      |
|          |               |                                       | 1         | -              | -   | -   | 2340187 SKJ  |                      |
|          |               |                                       | 1         | -              | -   | -   | 1287120 2328482 DS,LJ,LTA,LTJ,QS,QT,SJ,SMJ,STS,VET,WJ  |                      |
|          |               |                                       | 1         | -              | -   | -   | 2187120 2328482 LW2,QA,QT,SN,SW2,VED,VED1,VS,VSX   |                      |
|          |               |                                       | -         | (1)            | -   | -   | 2187120 2328482  |                      |
| 20       | 17682-817-020 | RUBBER, TANK CUSHION .....            | 4         | -              | -   | -   | EN,ET,ETX  |                      |
| 21       | 90506-500-000 | WASHER, AIR DUCT .....                | 2         | -              | -   | -   | EN,ET,ETX  |                      |
| 23       | 90854-ZB2-000 | RUBBER, FUEL (9X15X10) .....          | 1         | -              | -   | -   | 3095049 VPR4   |                      |



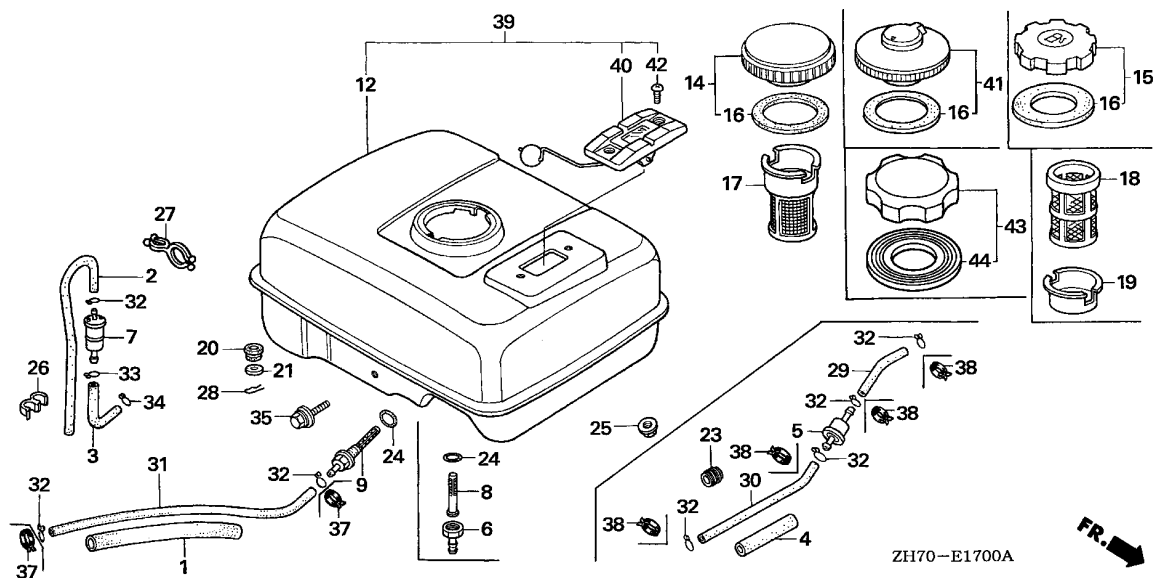




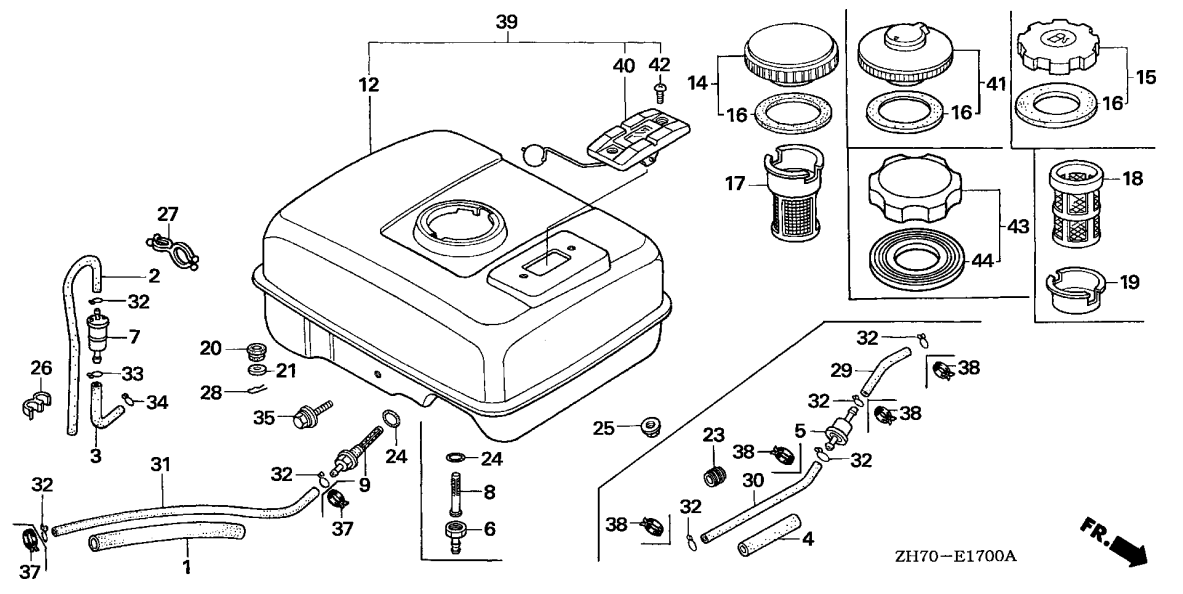
| Ref. No. | Part No.      | Description                  | Reqd. QTY |     |     |     | Serial No.    | Parts catalogue code  |
|----------|---------------|------------------------------|-----------|-----|-----|-----|---------------|---|
|          |               |                              | (1)       | (2) | (3) | (4) |               |   |
| 23)      | 90854-ZB3-000 | RUBBER, FUEL (9X15X20) ..... | 1         | -   | -   | -   | 3095050 ----- | VPR4  |
| 24       | 91353-671-004 | O-RING, 14MM(NOK) .....      | 1         | -   | -   | -   | -----         | DS, EN, ET, ETX, HH, HHQ4, HTF2, HT2, HX, HXQ, HXU, HX2, HX26, HX4, LAJ4, LD, LDB1, LDB3, LD4, LE, LEH4, LH, LHQ4, LJ, LJC, LJD2, LJS, LJT, LSJ, LSJ4, LTA, LTJ, LTK1, LW2, LX, LXU, LX2, LX26, LX4, PH, PM, PM2, PX, PX2, QA, QAA2, QA2, QA26, QBU2, QD, QE, QEH, QH, QHQ4, QH2, QH26, QJG2, QJW1, QLL, QM, QMA4, QMA8, QME4, QMH, QMX2, QPU, QSJ, QT, QTC2, QWA4, QX, QXC, QXC9, QXG, QXG2, QXQ, QXS, QXS2, QXU, QX2, QX26, QX4, QX7, RD, RD4, RH, RHQ4, RX, RX4, SAD2, SAJ, SAJ4, SCJ, SD, SDB1, SDB3, SD16, SD4, SE, SG24, SH, SHQ4, SJ, SJC, SJC1, SJC5, SJD2, SKJ, SKR, SMA7, SMJ, SMW2, SM11, SM12, SM14, SN, SSK1, SSK2, SSK3, SSSX2, SSSX4, STP, STS, SWX2, SWX4, SW2, SX, SXS4, SX4, SX7, TH, TX, TX2, TX26, TX4, UH, UX, UXU, VA, VED, VED1, VED6, VEE1, VEK, VET, VEX, VEX7, VH, VMS4, VS, VSX, VSX1, VS1, VX, VXU, VX4, VX7, WDA6, WDJ, WD12, WJ, WJP, WJP1, WKD6, WKT2, WKT4, WKT6, WMA3, WME2, WME4                |
| 25       | 94050-06000   | NUT, FLANGE, 6MM .....       | 2         | (1) | 1   | 1   | -----         | AR, DKR, DS, EN, ET, ETX, HH, HHQ4, HTF2, HT2, HX, HXQ, HXU, HX2, HX26, HX4, KRS4, LAJ4, LD, LDB1, LDB3, LD4, LE, LEH4, LH, LHQ4, LJ, LJC, LJD2, LJS, LJT, LSJ, LSJ4, LTA, LTJ, LTK1, LW2, LX, LXU, LX2, LX26, LX4, PH, PM, PM2, PX, PX2, QA, QAA2, QA2, QA26, QBU2, QD, QE, QEH, QH, QHQ4, QH2, QH26, QJG2, QJW1, QLL, QM, QMA4, QMA8, QME4, QMH, QMX2, QPU, QSJ, QT, QTC2, QWA4, QX, QXC, QXC9, QXG, QXG2, QXQ, QXS, QXS2, QXU, QX2, QX26, QX4, QX7, RD, RD4, RH, RHQ4, RX, RX4, SAD2, SAJ, SAJ4, SCJ, SD, SDB1, SDB3, SD16, SD4, SE, SG24, SH, SHQ4, SJ, SJC, SJC1, SJC5, SJD2, SKJ, SKR, SMA7, SMJ, SMW2, SM11, SM12, SM14, SN, SSK1, SSK2, SSK3, SSSX2, SSSX4, STP, STS, SWX2, SWX4, SW2, SX, SXS4, SX4, SX7, TH, TX, TX2, TX26, TX4, UH, UX, UXU, VA, VED, VED1, VED6, VEE1, VEK, VET, VEX, VEX7, VH, VMS4, VS, VSX, VSX1, VS1, VX, VXU, VX4, VX7, WDA6, WDJ, WD12, WJ, WJP, WJP1, WKD6, WKT2, WKT4, WKT6, WMA3, WME2, WME4 |
|          |               |                              | -         | (2) | 2   | 2   |               |   |

| Ref. No. | Part No.       | Description                              | Reqd. QTY |                |     |     | Serial No.   | Parts catalogue code |
|----------|----------------|--|-----------|----------------|-----|-----|--|----------------------|
|          |                |  | (1)       | GX120K1<br>(2) | (3) | (4) |  |                      |
| 26       | 91403-750-800  | CLIP, DOUBLE .....                       | 1         | -              | -   | -   | 4312054 AR,DKR,KR,KRA4,KRT,KRT4,KRT6   |                      |
|          |                |  | 2         | -              | -   | -   | 4091237 KRS4   |                      |
|          |                |  | 2         | -              | -   | -   | 4312054 KRF4   |                      |
|          |                |  | 1         | -              | -   | -   | 4091238 4312054 KRS4   |                      |
|          | 17205-PC6-000  | CLAMP, TUBE, 7.5X2 .....                 | 1         | -              | -   | -   | 4312055 ----- AR,DKR,KR,KRA4,KRS4,KRT,KRT4,KRT6  |                      |
|          |                |  | 2         | -              | -   | -   | 4312055 ----- KRF4   |                      |
| 27       | 91473-PA1-003  | CLIP, WATER HOSE .....                   | 1         | -              | -   | -   | ----- AR,DKR,KRA4,KRT4   |                      |
| 28       | 94251-08000    | PIN, LOCK, 8MM .....                     | 1         | -              | 1   | -   | ----- EN,ET,ETX,QIH1   |                      |
| 29       | 95001-45035-40 | TUBE, FUEL, 4.5X35<br>(95001-45001-60M)  | 1         | -              | -   | -   | ----- VPR4   |                      |
|          | 95001-45350-60 | TUBE, FUEL, 4.5X350<br>(95001-45001-60M) | 1         | -              | -   | -   | 4091238 ----- KRS4   |                      |
| 30       | 95001-45110-40 | TUBE, FUEL, 4.5X110<br>(95001-45001-60M) | 1         | -              | -   | -   | ----- VPR4   |                      |
|          | 95001-45075-60 | TUBE, FUEL, 4.5X75<br>(95001-45001-60M)  | 1         | -              | -   | -   | 4091238 ----- KRS4   |                      |
| 31       | 95001-45140-40 | TUBE, FUEL, 4.5X140<br>(95001-45001-60M) | 1         | -              | -   | -   | ----- DS,HH,HHQ4,HTF2,HT2,HX,HXQ,HXU,HX2,HX26,HX4,LAJ4,LD,LDB1,LDB3<br>LD4,LE,LEH4,LH,LHQ4,LJ,LJC,LJD2,LJS,LJT,LSJ,LSJ4,LTA,LTJ,LTJ1<br>LW2,LX,LXU,LX2,LX26,LX4,PH,PM,PM2,PX,PX2,QA,QAA2,QA2,QA26,QBU2<br>QD,QE,QEH,QH,QHQ4,QH2,QH26,QJG2,QJW1,QLL,QM,QMA4,QMA8,QME4,QMH<br>QMX2,QPU,QSJ,QT,QTC2,QWA4,QX,QXC,QXC9,QXG,QXG2,QXQ,QXS,QXS2<br>QXU,QX2,QX26,QX4,QX7,RD,RD4,RH,RHQ4,RX,RX4,SAD2,SAJ,SAJ4,SCJ<br>SD,SDB1,SDB3,SD16,SD4,SE,SG24,SH,SHQ4,SJ,SJC,SJC1,SJC5,SJD2<br>SKJ,SMA7,SMJ,SMW2,SM11,SM12,SM14,SN,SSK1,SSK2,SSK3,SSX2,SSX4<br>STP,STS,SWX2,SWX4,SW2,SX,SXS4,SX4,SX7,TH,TX,TX2,TX26,TX4,UH,UX<br>UXU,VA,VED,VED1,VED6,VEE1,VEK,VET,VEX,VEX7,VH,VMS4,VS,VSX,VSX1<br>VS1,VX,VXU,VX4,VX7,WDA6,WDJ,WD12,WJ,WJP,WJP1,WKD6,WKT2,WKT4<br>WKT6,WMA3,WME2,WME4               |                      |
|          |                |  | -         | (1)            | 1   | 1   |  |                      |
|          | 95001-45300-40 | TUBE, FUEL, 4.5X300<br>(95001-45001-60M) | 1         | -              | -   | -   | ----- ET,ETX   |                      |
|          | 95001-45350-40 | TUBE, FUEL, 4.5X350<br>(95001-45001-60M) | 1         | -              | -   | -   | ----- EN   |                      |
|          | 95001-45400-60 | TUBE, FUEL, 4.5X400<br>(95001-45001-60M) | 1         | -              | -   | -   | ----- AR,DKR,KR,KRA4,KRT,KRT4,KRT6   |                      |
|          |                |  | 1         | -              | -   | -   | 4091237 KRS4   |                      |
|          | 95001-45750-40 | TUBE, FUEL, 4.5X750<br>(95001-45001-60M) | 1         | -              | -   | -   | ----- SKR  |                      |
| 32       | 95002-02080    | CLIP, TUBE (B8) .....                    | 1         | -              | -   | -   | ----- AR,DKR,KR,KRA4,KRF4,KRT,KRT4,KRT6  |                      |
|          |                |  | 2         | -              | -   | -   | ----- DS,EN,ET,ETX,HH,HHQ4,HTF2,HT2,HX,HXQ,HXU,HX2,HX26,HX4,LAJ4,LD<br>LDB1,LDB3,LD4,LE,LEH4,LH,LHQ4,LJ,LJC,LJD2,LJS,LJT,LSJ,LSJ4,LTA<br>LTJ,LTJ1,LW2,LX,LXU,LX2,LX26,LX4,PH,PM,PM2,PX,PX2,QA,QAA2,QA2<br>QA26,QBU2,QD,QE,QEH,QH,QHQ4,QH2,QH26,QJG2,QJW1,QLL,QM,QMA4<br>QMA8,QME4,QMH,QMX2,QPU,QSJ,QT,QTC2,QWA4,QX,QXC,QXC9,QXG,QXG2<br>QXQ,QXS,QXS2,QXU,QX2,QX26,QX4,QX7,RD,RD4,RH,RHQ4,RX,RX4,SAD2<br>SAJ,SAJ4,SCJ,SD,SDB1,SDB3,SD16,SD4,SE,SG24,SH,SHQ4,SJ,SJC,SJC1<br>SJC5,SJD2,SKJ,SKR,SMA7,SMJ,SMW2,SM11,SM12,SM14,SN,SSK1,SSK2<br>SSK3,SSX2,SSX4,STP,STS,SWX2,SWX4,SW2,SX,SXS4,SX4,SX7,TH,TX,TX2<br>TX26,TX4,UH,UX,UXU,VA,VED,VED1,VED6,VEE1,VEK,VET,VEX,VEX7,VH<br>VMS4,VS,VSX,VSX1,VS1,VX,VXU,VX4,VX7,WDA6,WDJ,WD12,WJ,WJP,WJP1<br>WKD6,WKT2,WKT4,WKT6,WMA3,WME2,WME4 |                      |
|          |                |  | 4         | -              | -   | -   | ----- VPR4   |                      |
|          |                |  | -         | (2)            | 2   | 2   |  |                      |
| 33       | 95002-02100    | CLIP, TUBE (B10) .....                   | 1         | -              | -   | -   | ----- AR,DKR,KR,KRA4,KRF4,KRT,KRT4,KRT6  |                      |
| 34       | 95002-50000    | CLIP, TUBE (C9) .....                    | 1         | -              | -   | -   | ----- AR,DKR,KR,KRA4,KRF4,KRT,KRT4,KRT6  |                      |





| Ref. No. | Part No.        | Description   | Reqd. QTY |     |     |         | Serial No.   | Parts catalogue code |
|----------|-----------------|---|-----------|-----|-----|---------|--|----------------------|
|          |                 |   | (1)       | (2) | (3) | (4)     |  |                      |
| 35       | 95900-06025-00  | BOLT, FLANGE, 6X25                                    | 1         | (1) | 1   | -       | DS,HH,HX,HXU,LD,LE,LH,LJ,LW2,LX,LXU,PH,PM,PM2,PX,QA,QD,QE,QEH,QH,QM,QT,QX,QXC,QXG,QXS,QXU,RD,RH,RX,SD,SE,SH,SJ,SMJ,SN,STS,SW2,SX,TH,UH,UIH,UX,UXU,U1,VA,VED,VED1,VET,VH,VS,VSX,VXU,V1,WJ   |                      |
|          | 95701-06025-00  |   | 1         | -   | 1   | -       | EN,ET,ETX,HHQ4,HTF2,HXQ,HX2,HX26,HX4,LAJ4,LDB1,LDB3,LD4,LEH4,LHQ4,LJC,LJD2,LJS,LJT,LSJ,LSJ4,LTA,LTJ,LTJ1,LX2,LX26,LX4,PX2,QAA2,QA2,QA26,QBU2,QHQ4,QH2,QH26,QIH1,QJG2,QJW1,QLL,QME4,QMH,QMX2,QPU,QSJ,QTC2,QXC9,QXG2,QXQ,QXS2,QX2,QX26,QX4,RD4,RHQ4,RX4,SAD2,SAJ,SAJ4,SCJ,SDB1,SDB3,SD16,SD4,SG24,SHQ4,SJC,SJC1,SJC5,SKJ,SMW2,SSK1,SSK2,SSK3,SSX2,SSX4,STP,SWX2,SWX4,SXS4,SX4,TX2,TX26,TX4,VED6,VEE1,VEX,VMS4,VSX1,VS1,VX4,WDJ,WIH1,WJP,WJP1,WKD6,WKT2,WKT4,WME2 |                      |
|          | 90004-ZH7-003   | BOLT, FLANGE, 6X29                                    | 1         | (1) | -   | -       | HT2,H1,L1,QMA4,QMA8,QWA4,QX7,Q1,R1,SJD2,SMA7,SM11,SM12,SM14,SX7,S1,TX,VEK,VEX7,VX,VX7,WDA6,WD12,WKT6,WMA3,WME4,W1  |                      |
| 37       | 95002-40800-08  | CLAMP, TUBE (D8)                                      | 2         | -   | -   | -       | AR,DKR,KRA4  |                      |
| 38       | 95002-40850-08  | CLAMP, TUBE (D8.5)                                    | 2         | -   | -   | 4091237 | KRS4   |                      |
|          | 95002-40800-08  | CLAMP, TUBE (D8)                                      | 2         | -   | -   | 3284617 | KRT4   |                      |
| 39       | 17500-ZE1-813ZA | TANK ASSY., FUEL (GAUGE)<br>*NH31*.....MCKINLEY WHITE | 4         | -   | -   | 4091238 | KRS4   |                      |
| 40       | 17505-ZH7-A21   | GAUGE ASSY., FUEL                                     | 1         | -   | -   | -       | SKR  |                      |
|          | 17505-ZE1-013   |   | 1         | -   | -   | -       | SKJ,SMJ,VEK  |                      |
|          |                 |   | 1         | -   | -   | -       | SKR  |                      |
| 41       | 17620-ZH7-V91   | CAP COMP., FUEL FILLER                                | 1         | -   | -   | 2666802 | LTA  |                      |
|          | 17620-ZH7-V92   |   | 1         | -   | -   | 2666803 | LTA  |                      |
| 42       | 93600-05010-0A  | SCREW, FLAT, 5X10                                     | 2         | -   | -   | -       | SKJ,SKR,SMJ,VEK  |                      |



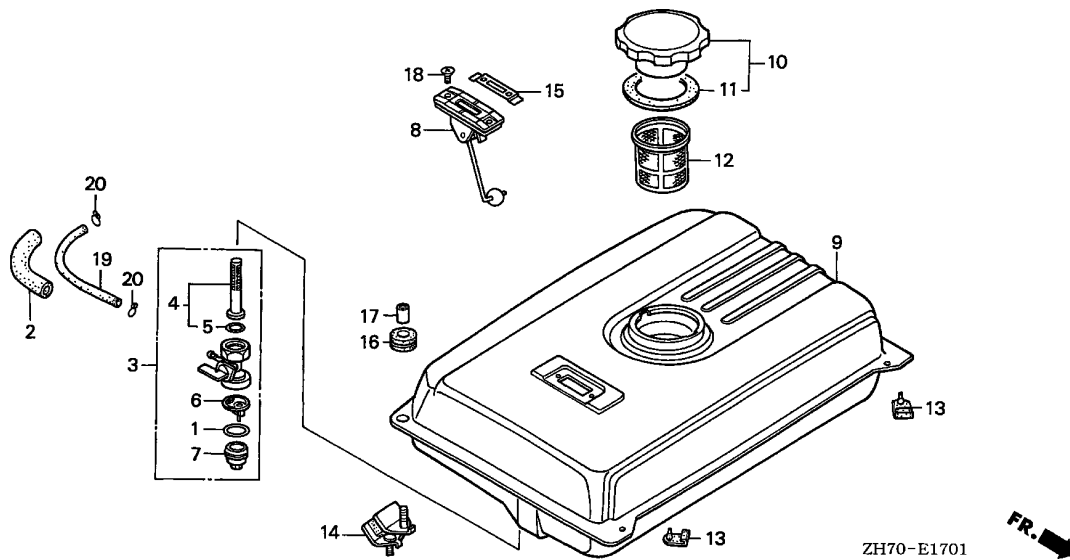
| Ref. No. | Part No.      | Description                               | Reqd. QTY |     |     |     | Serial No.    | Parts catalogue code  |
|----------|---------------|---|-----------|-----|-----|-----|---------------|---|
|          |               |   | (1)       | (2) | (3) | (4) |               |   |
| 43       | 17620-Z0T-814 | CAP COMP., FUEL FILLER<br>(CHROME PLATED) | 1         | (1) | -   | -   | 4203083 ----- | DS,HHQ4,HTF2,HT2,HX,HXU,HX2,HX26,HX4,H1,LAJ4,LD,LH,LHQ4,LJ,LJC<br>LJD2,LJS,LSJ,LSJ4,LTJ,LTK1,LX,LXU,LX2,LX4,L1,PX,PX2,QA,QA2,QD<br>QH,QHQ4,QH26,QJG2,QLL,QM,QMA4,QMA8,QME4,QMX2,QWA4,QX,QXC9,QXS2<br>QXU,QX2,QX26,QX4,QX7,Q1,RD,RD4,RHQ4,RX,RX4,R1,SAJ,SAJ4,SCJ,SD<br>SD16,SD4,SE,SG24,SH,SHQ4,SJ,SJC1,SJC5,SJD2,SKR,SMA7,SMJ,SMW2<br>SM11,SM12,SM14,SSK1,SSK3,SSX2,SSX4,STP,STS,SWX2,SWX4,SX,SXS4<br>SX4,SX7,TX,TX2,TX26,TX4,UXU,VED,VED1,VED6,VEK,VET,VEX,VEX7<br>VMS4,VSX,VSX1,VX,VXU,VX4,VX7,WDA6,WD12,WJ,WJP,WKD6,WKT2,WKT4<br>WKT6,WMA3,WME2,WME4 |
| 44       | 17631-Z0T-812 | PACKING, FUEL FILLER CAP<br>(39X62X3)     | 1         | (1) | -   | -   | 4203083 ----- | DS,HHQ4,HTF2,HT2,HX,HXU,HX2,HX26,HX4,H1,LAJ4,LD,LH,LHQ4,LJ,LJC<br>LJD2,LJS,LSJ,LSJ4,LTJ,LTK1,LX,LXU,LX2,LX4,L1,PX,PX2,QA,QA2,QD<br>QH,QHQ4,QH26,QJG2,QLL,QM,QMA4,QMA8,QME4,QMX2,QWA4,QX,QXC9,QXS2<br>QXU,QX2,QX26,QX4,QX7,Q1,RD,RD4,RHQ4,RX,RX4,R1,SAJ,SAJ4,SCJ,SD<br>SD16,SD4,SE,SG24,SH,SHQ4,SJ,SJC1,SJC5,SJD2,SKR,SMA7,SMJ,SMW2<br>SM11,SM12,SM14,SSK1,SSK3,SSX2,SSX4,STP,STS,SWX2,SWX4,SX,SXS4<br>SX4,SX7,TX,TX2,TX26,TX4,UXU,VED,VED1,VED6,VEK,VET,VEX,VEX7<br>VMS4,VSX,VSX1,VX,VXU,VX4,VX7,WDA6,WD12,WJ,WJP,WKD6,WKT2,WKT4<br>WKT6,WMA3,WME2,WME4 |



E-17-1

FUEL TANK(2)

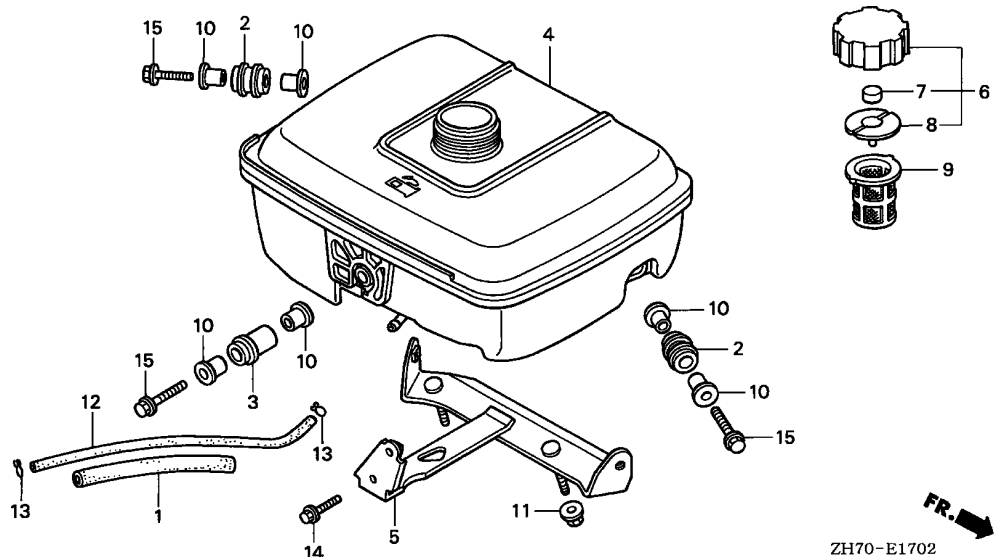
K12



| Ref. No. | L.O.N. | (Relative ref. Number)<br>Description | F.R.T. |
|----------|--------|---------------------------------------|--------|
| 3        | 3101A3 | COCK, FUEL .....                      | 0.2    |
| 4        | 3101D5 | SCREEN, FUEL STRAINER .....           | 0.2    |
| 6        | 3101A7 | FILTER, CUP .....                     | 0.2    |
| 8        | 6171A1 | METER UNIT, FUEL .....                | 0.1    |
| 9        | 3101H7 | TANK, FUEL .....                      | 0.2    |
| 12       | 3101A6 | FILTER, FUEL .....                    | 0.1    |
| 14       | 4101Q6 | RUBBER, BOTTOM .....                  | 0.1    |
| 19       | 3101F2 | TUBE, FUEL COCK .....                 | 0.2    |

2

| Ref. No. | Part No.        | Description                   | Reqd. QTY |     |     |     | Serial No. | Parts catalogue code |
|----------|-----------------|-------------------------------|-----------|-----|-----|-----|------------|----------------------|
|          |                 |                               | GX120K1   |     |     |     |            |                      |
|          |                 |                               | (1)       | (2) | (3) | (4) |            |                      |
| 1        | 16173-001-004   | PACKING, FUEL STRAINER CUP .. | 1         | -   | -   | -   | -----      | LTR                  |
| 2        | 16854-ZH8-000   | RUBBER, SUPPORTER (107MM) ..  | 1         | -   | -   | -   | -----      | LTR                  |
| 3        | 16950-ZB4-015   | COCK ASSY., FUEL .....        | 1         | -   | -   | -   | -----      | LTR                  |
| 4        | 16952-ZB4-005   | SCREEN, FUEL STRAINER .....   | 1         | -   | -   | -   | -----      | LTR                  |
| 5        | 16958-397-771   | O-RING .....                  | 1         | -   | -   | -   | -----      | LTR                  |
| 6        | 16959-471-831   | FILTER, CUP .....             | 1         | -   | -   | -   | -----      | LTR                  |
| 7        | 16967-GA6-671   | CUP, FUEL STRAINER .....      | 1         | -   | -   | -   | -----      | LTR                  |
| 8        | 17505-ZB2-003   | METER ASSY., FUEL .....       | 1         | -   | -   | -   | -----      | LTR                  |
| 9        | 17510-ZB4-000ZB | TANK COMP., FUEL              | 1         | -   | -   | -   | -----      | LTR                  |
|          |                 | *R8*.....BRIGHT RED           | 1         | -   | -   | -   | -----      | LTR                  |
| 10       | 17620-899-013   | CAP COMP., FUEL FILLER .....  | 1         | -   | -   | -   | -----      | LTR                  |
| 11       | 17631-899-000   | PACKING, FUEL FILLER CAP .... | 1         | -   | -   | -   | -----      | LTR                  |
| 12       | 17670-899-000   | FILTER COMP., FUEL .....      | 1         | -   | -   | -   | -----      | LTR                  |
| 13       | 50319-ZB2-000   | RUBBER, TANK MOUNTING .....   | 2         | -   | -   | -   | -----      | LTR                  |
| 14       | 68325-899-000   | RUBBER, BOTTOM .....          | 2         | -   | -   | -   | -----      | LTR                  |
| 15       | 87565-ZB4-A00   | PLATE, FUEL INDICATION .....  | 1         | -   | -   | -   | -----      | LTR                  |
| 16       | 90851-898-000   | RUBBER, TANK CUSHION .....    | 2         | -   | -   | -   | -----      | LTR                  |
| 17       | 91551-898-000   | COLLAR, TANK CUSHION .....    | 2         | -   | -   | -   | -----      | LTR                  |
| 18       | 93600-05010-0A  | SCREW, FLAT, 5X10 .....       | 2         | -   | -   | -   | -----      | LTR                  |
| 19       | 95001-45300-40  | TUBE, FUEL, 4.5X300           | 1         | -   | -   | -   | -----      | LTR                  |
|          |                 | (95001-45001-60M)             | 1         | -   | -   | -   | -----      | LTR                  |
| 20       | 95002-02080     | CLIP, TUBE (B8) .....         | 2         | -   | -   | -   | -----      | LTR                  |



| Ref. No. | L.O.N. | (Relative ref. Number) Description | F.R.T. |
|----------|--------|------------------------------------|--------|
| 2        | 3101G6 | RUBBER, TANK SETTING(A) .....      | 0.1    |
| 3        | 3101G5 | RUBBER B, TANK SETTING .....       | 0.1    |
|          | 3101G7 | RUBBER, TANK SETTING(B) .....      | 0.1    |
| 4        | 3101H7 | TANK, FUEL .....                   | 0.2    |
| 5        | 3101E0 | STAY, FUEL TANK .....              | 0.2    |
| 9        | 3101A6 | FILTER, FUEL .....                 | 0.1    |
| 12       | 3101F1 | TUBE, FUEL TANK .....              | 0.2    |

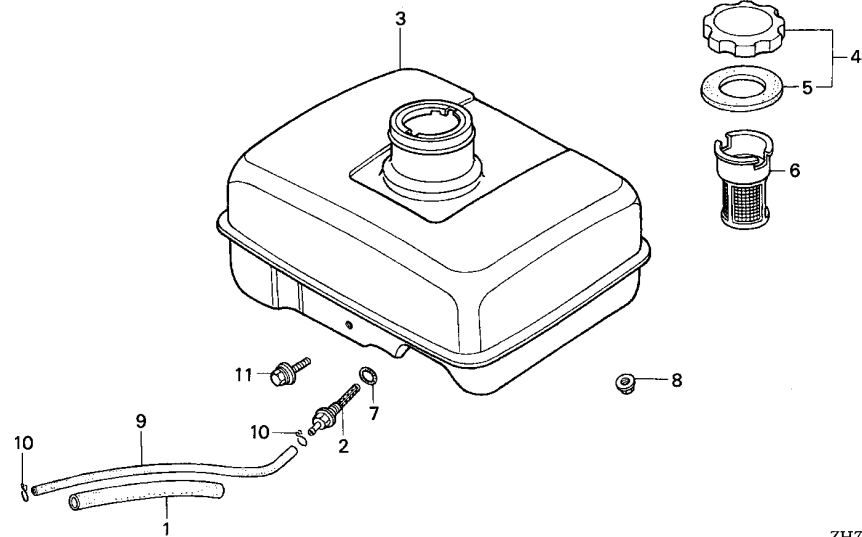
| Ref. No. | Part No.       | Description                    | Reqd. QTY |     |     |     | Serial No. | Parts catalogue code |
|----------|----------------|--------------------------------|-----------|-----|-----|-----|------------|----------------------|
|          |                |                                | GX120K1   |     |     |     |            |                      |
|          |                |                                | (1)       | (2) | (3) | (4) |            |                      |
| 1        | 16854-ZH8-000  | RUBBER, SUPPORTER (107MM) ...  | 1         | -   | -   | -   | -----      | WJ1,WM1              |
| 2        | 17506-ZK7-800  | RUBBER, TANK SETTING (A) ..... | 2         | -   | -   | -   | -----      | WJ1,WM1              |
| 3        | 17507-ZK7-800  | RUBBER, TANK SETTING (B) ..... | 1         | -   | -   | -   | -----      | WJ1,WM1              |
| 4        | 17510-ZK7-800  | TANK COMP., FUEL .....         | 1         | -   | -   | -   | -----      | WJ1,WM1              |
| 5        | 17561-ZK7-800  | STAY, FUEL TANK .....          | 1         | -   | -   | -   | -----      | WJ1,WM1              |
| 6        | 17620-ZE7-000  | CAP ASSY., FUEL TANK .....     | 1         | -   | -   | -   | -----      | WJ1,WM1              |
| 7        | 17622-888-010  | SPONGE, FUEL CAP BREATHER ...  | 1         | -   | -   | -   | -----      | WJ1,WM1              |
| 8        | 17624-ZE7-000  | PACKING, FUEL CAP .....        | 1         | -   | -   | -   | -----      | WJ1,WM1              |
| 9        | 17672-ZK7-800  | FILTER, FUEL .....             | (1)       | -   | -   | -   | -----      | WJ1,WM1              |
| 10       | 90509-750-000  | COLLAR, FUEL TANK .....        | 6         | -   | -   | -   | -----      | WJ1,WM1              |
| 11       | 94050-06000    | NUT, FLANGE, 6MM .....         | 2         | -   | -   | -   | -----      | WJ1,WM1              |
| 12       | 95001-45140-40 | TUBE, FUEL, 4.5X140            |           |     |     |     |            |                      |
|          |                | (95001-45001-60M)              | 1         | -   | -   | -   | -----      | WJ1,WM1              |
| 13       | 95002-02080    | CLIP, TUBE (B8) .....          | 2         | -   | -   | -   | -----      | WJ1,WM1              |
| 14       | 95701-06025-00 | BOLT, FLANGE, 6X25 .....       | 1         | -   | -   | -   | -----      | WJ1,WM1              |
| 15       | 95701-06032-00 | BOLT, FLANGE, 6X32 .....       | 3         | -   | -   | -   | -----      | WJ1,WM1              |



E-17-3

FUEL TANK(4)

K14



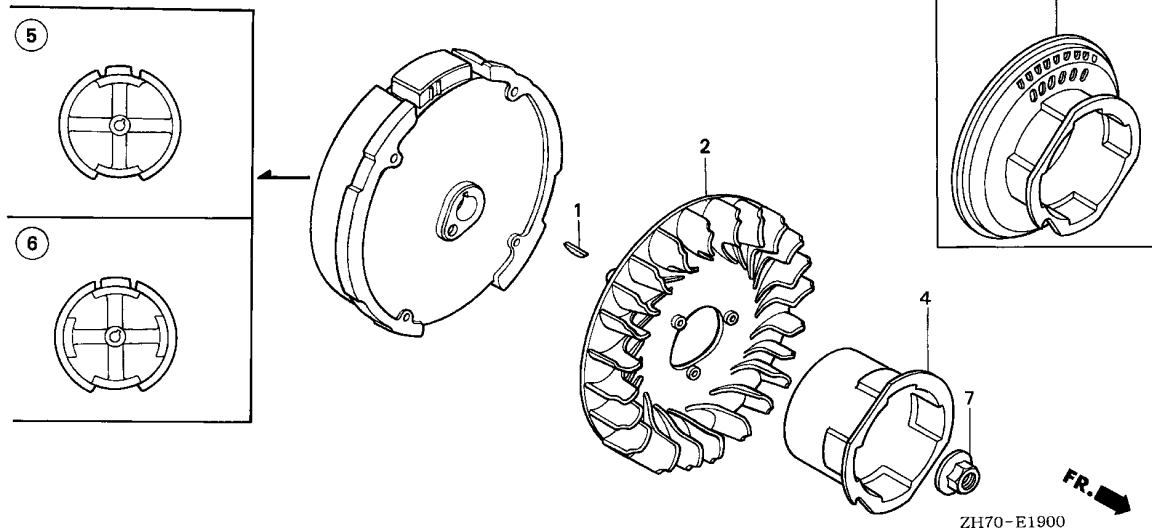
| Ref. No. | L.O.N. | (Relative ref. Number) Description | F.R.T. |
|----------|--------|------------------------------------|--------|
| 2        | 3101H6 | STRAINER, JOINT FUEL .....         | 0.2    |
| 3        | 3101H7 | TANK, FUEL .....                   | 0.2    |
| 6        | 3101A6 | FILTER, FUEL .....                 | 0.1    |

ZH70-E1703



| Ref. No. | Part No.        | Description                               | Reqd. QTY |                |     |     | Serial No. | Parts catalogue code |
|----------|-----------------|---|-----------|----------------|-----|-----|------------|----------------------|
|          |                 |   | (1)       | GX120K1<br>(2) | (3) | (4) |            |                      |
| 1        | 16854-ZH8-000   | RUBBER, SUPPORTER (107MM) ...             | 1         | -              | -   | -   | LTS        |                      |
| 2        | 16955-ZE1-000   | JOINT, FUEL TANK .....                    | 1         | -              | -   | -   | LTS        |                      |
| 3        | 17510-ZK7-U20ZC | TANK COMP., FUEL<br>*R280*.....POWER RED  | 1         | -              | -   | -   | LTS        |                      |
| 4        | 17620-Z0T-814   | CAP COMP., FUEL FILLER<br>(CHROME PLATED) | 1         | -              | -   | -   | LTS        |                      |
| 5        | 17631-Z0T-812   | PACKING, FUEL FILLER CAP<br>(39X62X3)     | 1         | -              | -   | -   | LTS        |                      |
| 6        | 17672-ZE2-W01   | FILTER, FUEL .....                        | 1         | -              | -   | -   | LTS        |                      |
| 7        | 91353-671-004   | O-RING, 14MM(NOK) .....                   | 1         | -              | -   | -   | LTS        |                      |
| 8        | 94050-06000     | NUT, FLANGE, 6MM .....                    | 2         | -              | -   | -   | LTS        |                      |
| 9        | 95001-45140-40  | TUBE, FUEL, 4.5X140<br>(95001-45001-60M)  | 1         | -              | -   | -   | LTS        |                      |
| 10       | 95002-02080     | CLIP, TUBE (B8) .....                     | 2         | -              | -   | -   | LTS        |                      |
| 11       | 90004-ZH7-003   | BOLT, FLANGE, 6X29 .....                  | 1         | -              | -   | -   | LTS        |                      |

2

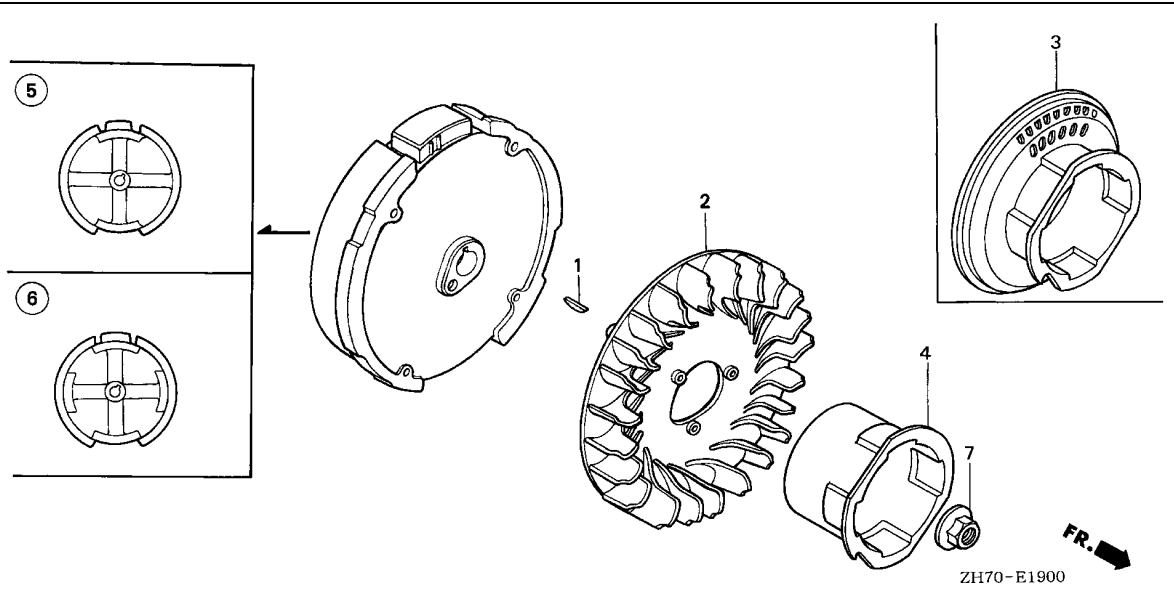


| Ref. No. | L.O.N. | (Relative ref. Number) Description | F.R.T. |
|----------|--------|------------------------------------|--------|
| 2        | 1141G7 | FAN, ENGINE COOLING (3)            | 0.2    |
| 4        | 1121A9 | PULLEY, RECOIL STARTER (6)         | 0.2    |
| 5        | 2161B5 | FLYWHEEL (6)                       | 0.3    |

| Ref. No. | Part No.      | Description                   | Reqd. QTY |     |     |     | Serial No.   | Parts catalogue code |  |
|----------|---------------|-------------------------------|-----------|-----|-----|-----|--|----------------------|--|
|          |               |                               | (1)       | (2) | (3) | (4) |  |                      |  |
|          |               |                               | GX120K1   |     |     |     |  |                      |  |
| 1        | 13331-357-000 | KEY, SPECIAL WOODRUFF, 25X18  | 1         | 1   | 1   | 1   |  |                      |  |
| 2        | 19511-ZE0-000 | FAN, COOLING .....            | 1         | -   | -   | -   | AR,DKR,DS,EN,ET,ETX,HH,HHQ4,HTF2,HT2,HX,HXQ,HXU,HX2,HX26,HX4<br>KR,KRA4,KRF4,KRS4,KRT,KRT4,KRT6,LAJ4,LD,LDB1,LDB3,LD4,LE,LEH4<br>LH,LHQ4,LJ,LJC,LJD2,LJS,LJT,LSJ,LSJ4,LTA,LTJ,LTK1,LTR,LTS,LW2<br>LX,LXU,LX2,LX26,LX4,PH,PM,PM2,PX,PX2,QA,QAA2,QA2,QA26,QBU2<br>QB26,QD,QE,QEH,QH,QHQ4,QH2,QH26,QJG2,QJW1,QLL,QM,QMA4,QMA8<br>QME4,QMH,QMX2,QPU,QSJ,QT,QTC2,QWA4,QX,QXC,QXC9,QXG,QXG2,QXQ<br>QXS,QXS2,QXU,QX2,QX26,QX4,QX7,RD,RD4,RH,RHC,RHQ4,RX,RX4,SAD2<br>SAJ,SAJ4,SCJ,SD,SDB1,SDB3,SD16,SD4,SE,SG24,SH,SHQ4,SJ,SJC,SJC1<br>SJD2,SKJ,SKR,SMA7,SMJ,SMW2,SM11,SM12,SM14,SN,SSK1,SSK2,SSK3<br>SSX2,SSX4,STP,STS,SWX2,SWX4,SW2,SX,SXS4,SX4,SX7,TH,TX,TX2,TX26<br>TX4,UH,UX,UXU,VA,VAX4,VED,VED1,VED6,VEE1,VEK,VET,VEX,VEX7,VH<br>VMS4,VMT,VPR4,VS,VSX,VSX1,VS1,VX,VXU,VX4,VX7,WDA6,WDJ,WD12,WJ<br>WJP,WJP1,WJ1,WKD6,WKT2,WKT4,WKT6,WMA3,WME2,WME4,WM1 |                      |  |
|          | 19511-ZE1-000 | .....<br>(COMPRESSOR COOLING) | -         | 1   | 1   | 1   | SJC,SJC1,SJC5  |                      |  |
| 3        | 28450-ZH7-811 | PULLEY COMP., STARTER .....   | 1         | -   | -   | -   | LE,LJT,LTJ,LTS,QA,QAA2,QA2,QA26,QBU2,QE,QMA8,QWA4,SAD2,SE,SG24<br>SMA7,VEK   |                      |  |
|          |               |                               | -         | (1) | -   | -   |  |                      |  |

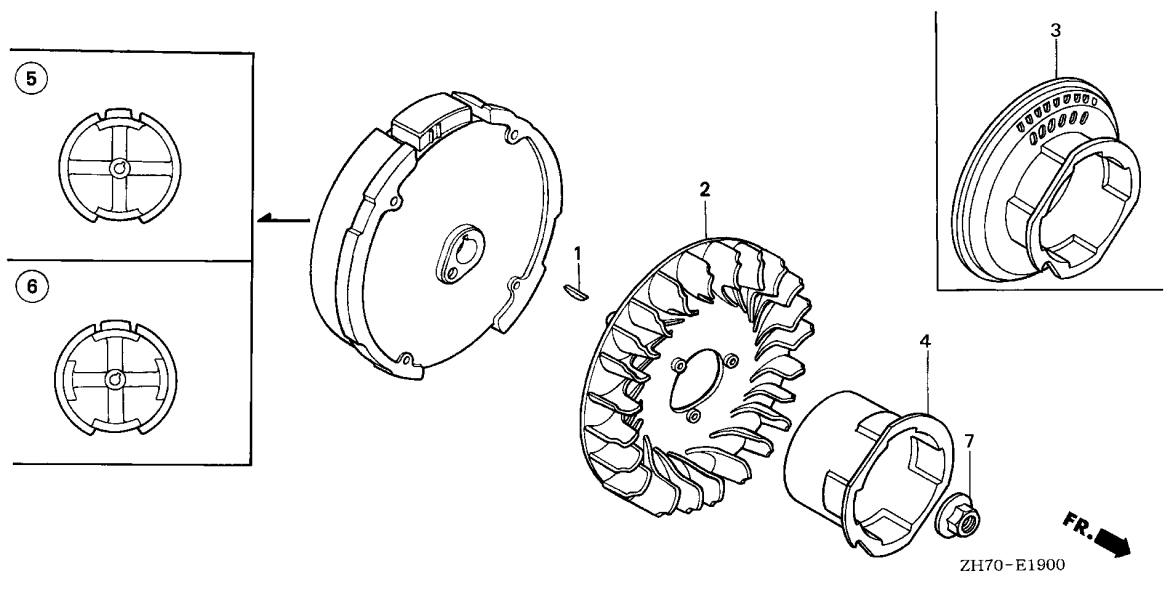






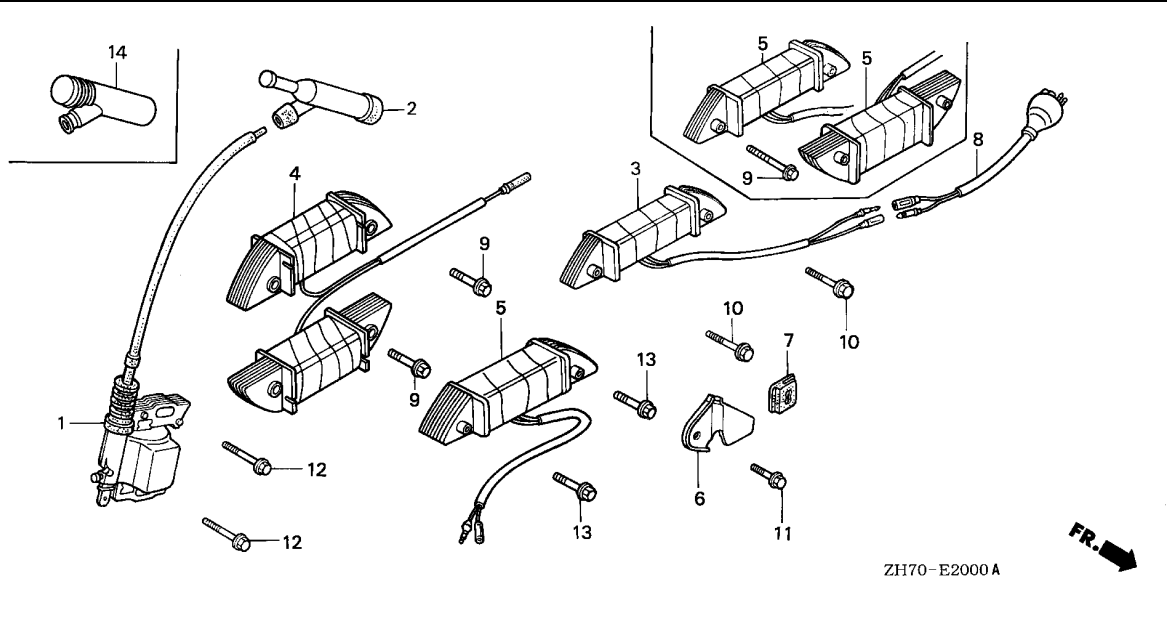
2

| Ref. No. | Part No.      | Description           | Reqd. QTY |     |     |     | Serial No. | Parts catalogue code  |
|----------|---------------|-----------------------|-----------|-----|-----|-----|------------|---|
|          |               |                       | (1)       | (2) | (3) | (4) |            |   |
| 4        | 28451-ZH8-003 | PULLEY, STARTER ..... | 1         | (1) | 1   | -   | -----      | EN,ET,ETX,HH,HXQ,LDB1,LDB3,LD4,LEH4,LTA,LW2,L1,PM2,QEH,QH2<br>QJW1,QMH,QPU,QSJ,QXC,QXG,QXQ,QXS,RH,SDB1,SDB3,SJC,SN,SSK1,SSK2<br>SW2,S1,UIH,U1,VA,VAX4,VH,VS,VS1,V1,WDJ,WJ1,W1   |
|          |               |                       | 1         | (1) | -   | -   | -----      | 3917140 AR,DKR,DS,HHQ4,HTF2,HX,HXU,HX2,HX26,HX4,H1,KR,KRA4,KRT,KRT4<br>KRT6,LAJ4,LD,LH,LHQ4,LJ,LJC,LJD2,LJS,LSJ,LSJ4,LTK1,LTR,LX,LXU<br>LX2,LX26,LX4,PH,PM,PX,PX2,QB26,QD,QH,QHQ4,QH26,QJG2,QLL,QM<br>QMA4,QME4,QMX2,QTC2,QX,QXC9,QXG2,QXS2,QXU,QX2,QX26,QX4,Q1,RD<br>RD4,RHC,RHQ4,RX,RX4,R1,SAJ,SAJ4,SCJ,SD,SD16,SD4,SH,SHQ4,SJ<br>SJC1,SJC5,SKJ,SKR,SMJ,SMW2,SM11,SSK3,SSX2,SSX4,STP,STS,SWX2<br>SWX4,SX,SXS4,SX4,TH,TX,TX2,TX26,TX4,UH,UX,UXU,VED,VED1,VED6<br>VEE1,VET,VEX,VMS4,VMT,VPR4,VSX,VSX1,VX,VXU,VX4,WDA6,WD12,WJ<br>WJP,WJP1,WKD6,WKT2,WKT4,WMA3,WME2,WME4,WM1 |
|          |               |                       | 1         | -   | -   | -   | -----      | 3463997 QT  |
|          | 28451-ZE0-003 | .....                 | 1         | -   | -   | -   | -----      | QT  |
|          | 28451-ZH7-003 | .....                 | 1         | (1) | -   | -   | -----      | 3917141 AR,DKR,DS,HHQ4,HTF2,HX,HXU,HX2,HX26,HX4,H1,KR,KRA4,KRT,KRT4<br>KRT6,LAJ4,LD,LH,LHQ4,LJ,LJC,LJD2,LJS,LSJ,LSJ4,LTK1,LTR,LX,LXU<br>LX2,LX26,LX4,PH,PM,PX,PX2,QB26,QD,QH,QHQ4,QH26,QJG2,QLL,QM<br>QMA4,QME4,QMX2,QTC2,QX,QXC9,QXG2,QXS2,QXU,QX2,QX26,QX4,Q1,RD<br>RD4,RHC,RHQ4,RX,RX4,R1,SAJ,SAJ4,SCJ,SD,SD16,SD4,SH,SHQ4,SJ<br>SJC1,SJC5,SKJ,SKR,SMJ,SMW2,SM11,SSK3,SSX2,SSX4,STP,STS,SWX2<br>SWX4,SX,SXS4,SX4,TH,TX,TX2,TX26,TX4,UH,UX,UXU,VED,VED1,VED6<br>VEE1,VET,VEX,VMS4,VMT,VPR4,VSX,VSX1,VX,VXU,VX4,WDA6,WD12,WJ<br>WJP,WJP1,WKD6,WKT2,WKT4,WMA3,WME2,WME4,WM1 |
| 5        | 31100-ZE0-000 | FLYWHEEL COMP. ....   | 1         | -   | 1   | -   | -----      | HT2,KRF4,KRS4,QIH1,QX7,SJD2,SM12,SM14,SX7,VEX7,VX7,WIH1,WKT6<br>U1,W1   |



| Ref. No. | Part No.      | Description                 | Reqd. QTY |     |     |     | Serial No. | Parts catalogue code   |
|----------|---------------|-----------------------------|-----------|-----|-----|-----|------------|--|
|          |               |                             | (1)       | (2) | (3) | (4) |            |  |
| (5)      | 31100-ZE0-010 | FLYWHEEL COMP. ....         | 1         | -   | -   | -   | -----      | AR,DKR,DS,EN,ET,ETX,HH,HHQ4,HTF2,HT2,HX,HXQ,HXU,HX2,HX26,HX4<br>KR,KRA4,KRF4,KRS4,KRT,KRT4,KRT6,LD,LDB1,LDB3,LD4,LE,LEH4,LH<br>LHQ4,LJ,LJC,LJT,LSJ,LSJ4,LTA,LTJ,LTK1,LTR,LTS,LX,LXU,LX2,LX26<br>LX4,PH,PM,PM2,PX,PX2,QA,QAA2,QA2,QA26,QBU2,QD,QE,QEH,QH,QHQ4<br>QH2,QH26,QJW1,QLL,QM,QMA4,QMA8,QME4,QMH,QMX2,QPU,QSJ,QT,QT2<br>QWA4,QX,QXC,QXC9,QXG,QXG2,QXQ,QXU,QX2,QX26,QX4,QX7,RD,RD4,RH<br>RHQ4,RX,RX4,SAD2,SAJ,SAJ4,SCJ,SD,SDB1,SDB3,SD16,SD4,SE,SG24,SH<br>SHQ4,SJ,SJC,SJC1,SJC5,SKR,SMA7,SMJ,SMW2,SM11,SM12,SM14,SN,SSK1<br>SSK2,SSK3,SSX2,SSX4,STP,STS,SWX2,SWX4,SW2,SX,SXS4,SX4,SX7,TH<br>TX,TX2,TX26,TX4,UH,UX,UXU,VA,VAX4,VED,VED1,VED6,VEE1,VEK,VET<br>VEX,VEX7,VH,VMS4,VMT,VPR4,VS,VSX,VSX1,VS1,VX,VXU,VX4,VX7,WDA6<br>WDJ,WD12,WJ,WJP,WJP1,WJ1,WKD6,WKT2,WKT4,WKT6,WMA3,WME2,WME4<br>WM1 |
|          |               |                             | 1         | -   | -   | -   | -----      | 3093870 LJD2   |
|          |               |                             | -         | (1) | 1   | 1   | -----      |  |
| 6        | 31100-ZE0-810 | FLYWHEEL COMP. (LAMP) ..... | -         | (1) | -   | -   | -----      | H1,U1,V1,W1  |
|          | 31100-ZE0-811 | .....                       | 1         | (1) | -   | -   | -----      | LAJ4,LJS,LW2,L1,QB26,QJG2,QXS,QXS2,Q1,RHC,R1,SJD2,SKJ,S1,W1  |
|          |               |                             | 1         | -   | -   | -   | 3093871    | LJD2   |
| 7        | 90201-878-003 | NUT, SPECIAL, 14MM .....    | 1         | 1   | 1   | 1   | -----      |  |





| Ref. No. | L.O.N. | (Relative ref. Number) Description | F.R.T. |
|----------|--------|------------------------------------|--------|
| 1        | 6141A5 | COIL, IGNITION (14)                | 0.2    |
| 2        | 6141B8 | TERMINAL, HIGH TENSION (3,5)       | 0.1    |
| 4        | 6141A6 | COIL, LAMP                         | 0.3    |
| 8        | 6141C5 | CABLE, DOUBLE CONNECTOR            | 0.1    |

ZH70-E2000 A

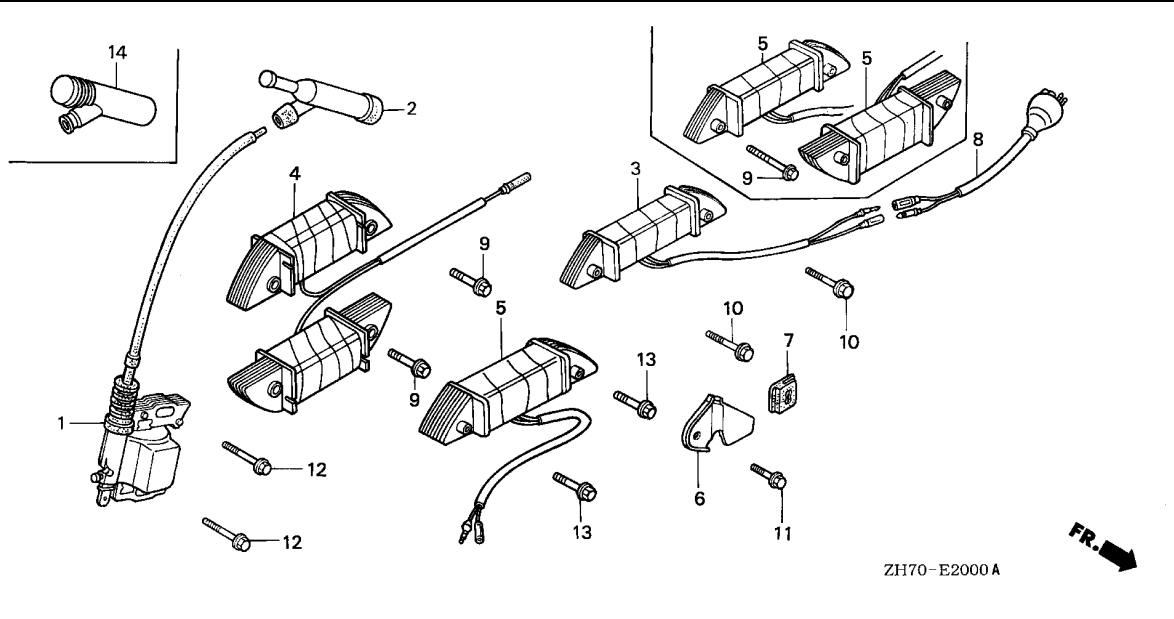


| Ref. No. | Part No.      | Description          | Reqd. QTY |     |     |     | Serial No. | Parts catalogue code  |
|----------|---------------|----------------------|-----------|-----|-----|-----|------------|---|
|          |               |                      | (1)       | (2) | (3) | (4) |            |   |
| 1        | 30500-ZE1-023 | COIL ASSY., IGNITION | 1         | -   | -   | -   | 2400125    | DS,EN,ET,ETX,HH,HX,LD,LE,LH,LJ,LTA,LTJ,LW2,LX,PH,PM,PM2,PX,QA,QD,QE,QEH,QH,QLL,QM,QPU,QSJ,QT,QX,QXC,QXG,QXS,RD,RH,RHC,RX,SCJ,SD,SE,SH,SJ,SKJ,SMJ,SN,STS,SW2,SX,TH,TX,UH,UX,VA,VED,VED1,VET,VEX,VH,VS,VSX,VSX1,VS1,VX,WJ   |
|          |               |                      | 1         | -   | -   | -   | 2402519    | HXQ,HX2,LX2,QA2,QH2,QXG2,QXQ,QXS2,QX2,TX2   |
|          |               |                      | -         | (1) | -   | -   | 2401279    | U1  |
|          |               |                      | -         | (1) | -   | -   |            | H1,L1,Q1,R1,S1,V1,W1  |
|          | 30500-ZE1-033 |                      | 1         | -   | 1   | -   |            | HTF2,HT2,HX26,KRS4,LDB1,LDB3,LD4,LEH4,LJS,LJT,LTR,LX26,PX2,QAA2,QA26,QBU2,QH26,QJW1,QMH,QMX2,QTC2,QXC9,QX26,SAD2,SAJ,SDB1,SDB3,SD16,SG24,SJC,SJC1,SMW2,SSK1,SSK2,SSK3,SSX4,STP,SWX2,SWX4,TX26,UIH,VAX4,VED6,WDA6,WDJ,WJP,WJP1,WJ1,WKD6,WKT2,WME2                              |
|          |               |                      | 1         | -   | -   | -   | 2400126    | DS,EN,ET,ETX,HH,HX,LD,LE,LH,LJ,LTA,LTJ,LW2,LX,PH,PM,PM2,PX,QA,QD,QE,QEH,QH,QLL,QM,QPU,QSJ,QT,QX,QXC,QXG,QXS,RD,RH,RHC,RX,SCJ,SD,SE,SH,SJ,SKJ,SMJ,SN,STS,SW2,SX,TH,TX,UH,UX,VA,VED,VED1,VET,VEX,VH,VS,VSX,VSX1,VS1,VX,WJ   |
|          |               |                      | 1         | -   | -   | -   | 2402520    | HXQ,HX2,LX2,QA2,QH2,QXG2,QXQ,QXS2,QX2,TX2   |
|          |               |                      | 1         | -   | -   | -   | 4075104    | AR,DKR,HHQ4,HXU,HX4,KR,KRA4,KRF4,KRT,KRT4,KRT6,LAJ4,LHQ4,LJC,LJD2,LSJ,LSJ4,LTK1,LXU,LX4,QB26,QHQ4,QJG2,QMA4,QMA8,QME4,QWA4,QXU,QX4,RD4,RHQ4,RX4,SAJ4,SD4,SHQ4,SJC5,SJD2,SKR,SMAT7,SM11,SM14,SSX2,SXS4,SX4,TX4,UXU,VEE1,VEK,VMS4,VMT,VPR4,VXU,VX4,WD12,WKT4,WKT6,WMA3,WME4,WM1 |
|          |               |                      | -         | (1) | -   | -   | 2401280    | L1,S1,V1,W1   |
|          |               |                      | -         | (1) | -   | -   | 2401280    | 4075104 H1,Q1,R1  |
|          |               |                      | -         | -   | -   | 1   |            |   |



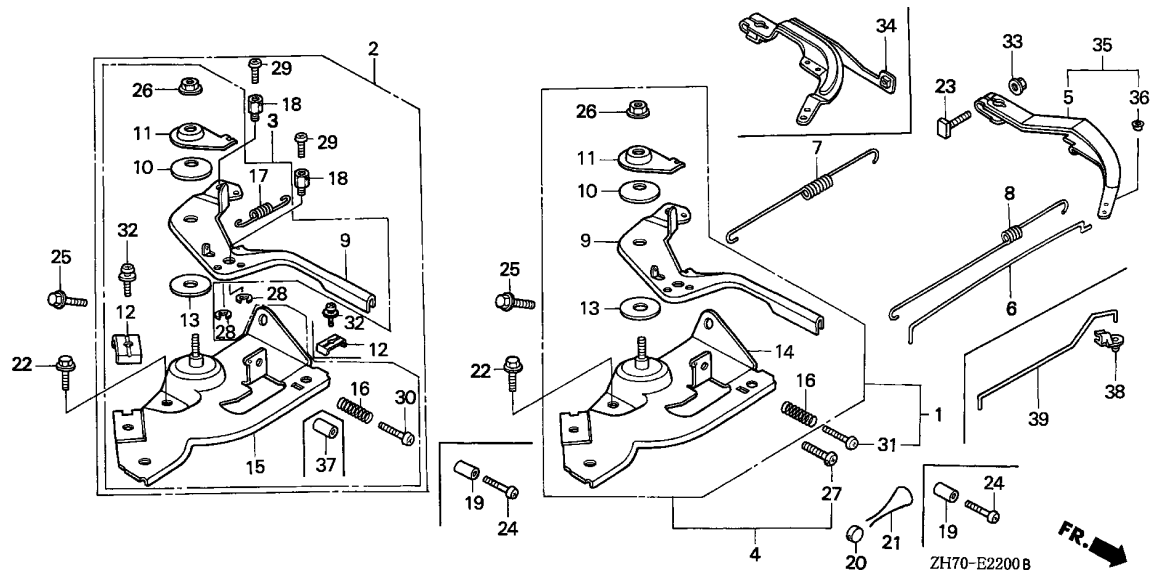
| Ref. No. | Part No.      | Description   | Reqd. QTY |                |     |     | Serial No.    | Parts catalogue code   |
|----------|---------------|---|-----------|----------------|-----|-----|---------------|--|
|          |               |   | (1)       | GX120K1<br>(2) | (3) | (4) |               |  |
| (1)      | 30500-ZE1-043 | COIL ASSY., IGNITION .....                            | 1         | (1)            | -   | -   | 4075105 ----- | AR,DKR,HHQ4,HXU,HX4,H1,KR,KRA4,KRF4,KRT,KRT4,KRT6,LAJ4,LHQ4,LJC,LJD2,LSJ,LSJ4,LTK1,LXU,LX4,QB26,QHQ4,QJG2,QMA4,QMA8,QME4,QWA4,QXU,QX4,Q1,RD4,RHQ4,RX4,R1,SAJ4,SD4,SHQ4,SJC5,SJD2,SKR,SMA7,SM11,SM14,SSX2,SXS4,SX4,UXU,VEE1,VEK,VMS4,VMT,VPR4,VXU,VX4,WD12,WKT4,WKT6,WMA3,WME4,WM1  |
| 2        | 30600-ZE1-013 | TERMINAL ASSY., HIGH TENSION<br>(NICHIWA Y-EZ)        | 1         | -              | 1   | -   | -----         | LTS,QIH1,QX7,SM12,SX7,VEX7,VX7,WIH1  |
|          |               |   | 1         | -              | -   | -   | -----         | EN,ET,ETX,KRT6,LDB1,LJC,LTA,LTK1,LW2,PM,PM2,QM,QSJ,QT,SN,STP,STS,SW2,VEK,VS1   |
|          |               |   | 1         | -              | -   | -   | 2816332 ----- | VSX,VSX1   |
|          |               |   | 1         | -              | -   | -   | 2689722 ----- | LD4,RD4,SD4,WMA3   |
|          |               |   | 1         | -              | -   | -   | 2923462 ----- | WJP1   |
|          |               |   | 1         | -              | -   | -   | 3235089 ----- | AR,DKR   |
|          |               |   | 1         | -              | -   | -   | 3491424 ----- | DS,KR,KRT,LD,LDB3,LJ,LJT,LSJ,LTJ,LTR,QD,RD,SAJ,SCJ,SD,SDB1,SDB3,SJ,SJC,SJC1,SJC5,SKJ,SKR,SMJ,SSK1,SSK3,VED,VEE1,VET,VS,WDJ,WJ,WJP,WJ1,WM1  |
|          | 30700-ZE1-013 | CAP ASSY., NOISE SUPPRESSOR<br>(NICHIWA Y-EZ RTFM256) | -         | (1)            | 1   | -   | -----         |  |
|          |               |   | 1         | -              | -   | -   | -----         | HH,HHQ4,HTF2,HT2,HX,HXQ,HXU,HX2,HX26,HX4,KRA4,KRF4,KRT4,LAJ4,LE,LEH4,LH,LHQ4,LJD2,LJS,LSJ4,LTS,LX,LXU,LX2,LX26,LX4,PH,FX,PX2,QA,QA2,QA2,QA26,QBU2,QB26,QE,QEH,QH,QHQ4,QH2,QH26,QJG2,QJW1,QLL,QMA4,QMA8,QME4,QMH,QMX2,QPU,QT2,QWA4,QX,QXC,QXC9,QXG,QXG2,QXQ,QXS,QXS2,QXU,QX2,QX26,QX4,QX7,RH,RHC,RHQ4,RX,RX4,SAD2,SAJ4,SD16,SE,SG24,SH,SHQ4,SJD2,SMA7,SMW2,SM11,SM12,SM14,SSK2,SSX2,SSX4,SWX2,SWX4,SX,SXS4,SX4,SX7,TH,TX,TX2,TX26,TX4,UH,UX,UXU,VA,VAX4,VED1,VED6,VEX,VEX7,VH,VMS4,VMT,VX,VXU,VX4,VX7,WDA6,WD12,WKD6,WKT2,WKT4,WKT6,WME2,WME4 |
|          |               |   | 1         | -              | -   | -   | 2689723 ----- | LD4,RD4,SD4,WMA3   |
|          |               |   | 1         | -              | -   | -   | 2923463 ----- | WJP1   |
|          |               |   | 1         | -              | -   | -   | 3235090 ----- | AR,DKR   |
|          |               |   | 1         | -              | -   | -   | 3491425 ----- | DS,KR,KRT,LD,LDB3,LJ,LJT,LSJ,LTJ,LTR,QD,RD,SAJ,SCJ,SD,SDB1,SDB3,SJ,SJC,SJC1,SJC5,SKJ,SKR,SMJ,SSK1,SSK3,VED,VEE1,VET,VS,WDJ,WJ,WJP,WJ1,WM1  |
|          |               |   | 1         | -              | -   | -   | 2816331 ----- | VSX,VSX1   |
|          |               |   | -         | (1)            | -   | 1   | -----         |  |
|          | 30700-ZF5-013 | CAP ASSY., NOISE SUPPRESSOR                           | 1         | -              | -   | -   | -----         | VPR4   |
| 3        | 31510-ZE1-003 | COIL ASSY., LAMP (12V/15W) ..                         | -         | (1)            | -   | -   | -----         |  |
|          | 31510-ZE1-821 | COIL ASSY., LAMP (6V/15W) ...                         | -         | (1)            | -   | -   | -----         |  |
|          | 31610-ZH7-003 | COIL ASSY., LAMP (12V/15W) ..                         | -         | (1)            | -   | -   | -----         |  |
| 4        | 31510-ZE1-711 | COIL ASSY., LAMP (12V/50W) ..                         | 1         | -              | -   | -   | -----         | LW2,QJG2,QXS,QXS2,RHC  |
|          |               |   | -         | (1)            | -   | -   | -----         |  |
|          | 31510-ZK7-U50 | .....   | 1         | -              | -   | -   | -----         | QB26   |
| 5        | 31510-ZE1-811 | COIL ASSY., LAMP (12V/25W) ..                         | 1         | -              | -   | -   | -----         | LAJ4   |
|          |               |   | 2         | -              | -   | -   | -----         | LJS,SKJ  |
|          |               |   | -         | (1)            | -   | -   | -----         |  |
|          | 31510-ZE1-831 | COIL ASSY., LAMP (6V/25W) ...                         | -         | (1)            | -   | -   | -----         |  |
| 6        | 31511-ZE1-000 | CLAMPER, CORD .....                                   | 1         | -              | -   | -   | -----         | LAJ4,LJS,LW2,QB26,QJG2,QXS,QXS2,RHC,SKJ  |
|          |               |   | -         | (1)            | -   | -   | -----         |  |
| 7        | 31512-ZE1-000 | GROMMET, CORD .....                                   | 1         | -              | -   | -   | -----         | LAJ4,LJS,LW2,QB26,QJG2,QXS,QXS2,RHC,SKJ  |
|          |               |   | -         | (1)            | -   | -   | -----         |  |
| 8        | 32105-ZE1-000 | CABLE, DOUBLE CONNECTOR .....                         | -         | (1)            | -   | -   | -----         |  |
| 9        | 90015-883-000 | BOLT, FLANGE, 6X28 .....                              | 4         | -              | -   | -   | -----         | LJS,LW2,QB26,QJG2,QXS,QXS2,RHC,SKJ   |
|          |               |   | -         | (4)            | -   | -   | -----         |  |
| 10       | 90018-ZE1-000 | BOLT, FLANGE, 6X23(CT200) ...                         | -         | (2)            | -   | -   | -----         |  |
|          |               |   | -         | (2)            | -   | -   | -----         |  |
| 11       | 90019-883-000 | BOLT, FLANGE, 5X10 .....                              | 1         | -              | -   | -   | -----         | LAJ4,LJS,LW2,QB26,QJG2,QXS,QXS2,RHC,SKJ  |
|          |               |   | -         | (1)            | -   | -   | -----         |  |





2

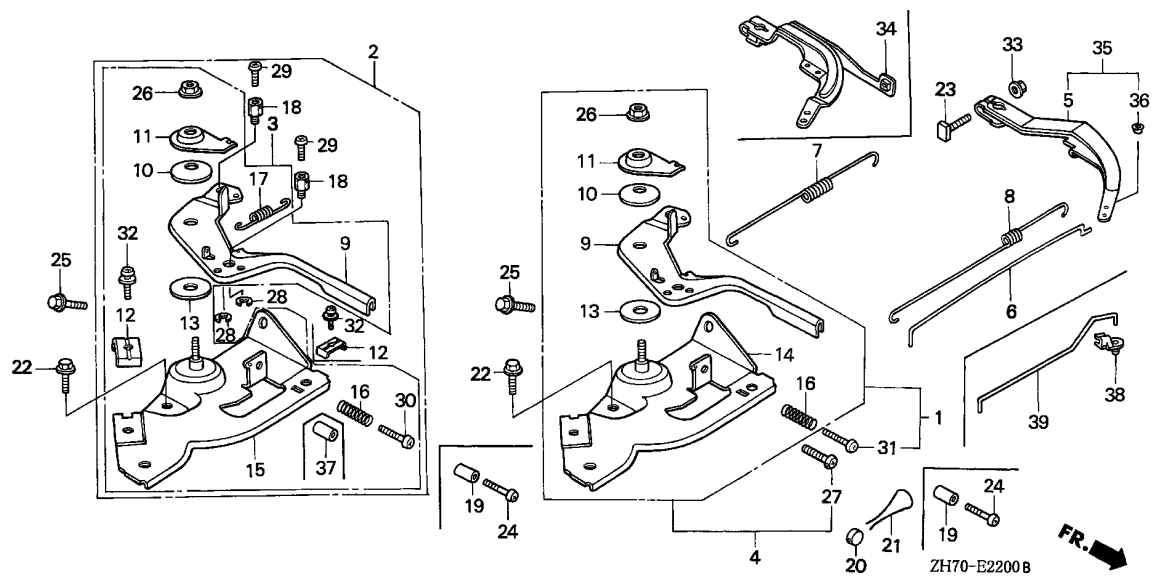
| Ref. No. | Part No.      | Description                   | Reqd. QTY |     |     |     | Serial No. | Parts catalogue code |
|----------|---------------|-------------------------------|-----------|-----|-----|-----|------------|----------------------|
|          |               |                               | (1)       | (2) | (3) | (4) |            |                      |
|          |               |                               | GX120K1   |     |     |     |            |                      |
| 12       | 90121-952-000 | BOLT, FLANGE, 6X25 .....      | 2         | 2   | 2   | 2   |            |                      |
| 13       | 90015-883-000 | BOLT, FLANGE, 6X28 .....      | 2         | -   | -   | -   | ----- LAJ4 |                      |
| 14       | 30700-ZE8-003 | CAP ASSY., NOISE SUPPRESSOR - | 1         | (2) | -   | -   | ----- KRS4 |                      |



| Ref. No. | L.O.N. | (Relative ref. Number) Description      | F.R.T. |
|----------|--------|---|--------|
| 1        |        | (2) CONTROL, THROTTLE/GOVERNOR ... (34) | 0.3    |
| 5        | 1161A5 | ARM, GOVERNOR .....                     | 0.3    |
| 6        | 1161B1 | ROD, GOVERNOR .....                     | 0.3    |
| 7        | 1161C5 | SPRING, GOVERNOR .....                  | 0.2    |
| 8        | 1161C2 | SPRING, THROTTLE RETURN .....           | 0.3    |
| 9        | 1161A8 | LEVER, CONTROL .....                    | 0.3    |
| 14       |        | (15) BASE, CONTROL .....                | 0.3    |

| Ref. No. | Part No.      | Description                   | Reqd. QTY |     |     |     | Serial No.   | Parts catalogue code |
|----------|---------------|-------------------------------|-----------|-----|-----|-----|--|----------------------|
|          |               |                               | (1)       | (2) | (3) | (4) |  |                      |
| 1        | 16500-ZH7-000 | CONTROL ASSY. ....            | 1         | -   | -   | -   | PH,PX,PX2,TH,TX,TX2,TX26,TX4,UH,UX,UXU,VA,VH,VX,VX4,VX7,WDA6<br>WD12,WJ1,WMA3,WME4,WM1   |                      |
|          | 16500-ZH7-860 | .....                         | -         | (1) | -   | 1   | 3422682 VXU  |                      |
| 2        | 16500-ZH7-850 | CONTROL ASSY. (CYCLONE) ....  | 1         | -   | -   | -   | QXC,QXC9   |                      |
|          | 16570-ZE0-900 | CONTROL ASSY. (TAC) .....     | 1         | -   | -   | -   | 2119399 STS  |                      |
|          | 16570-ZE0-901 | .....                         | 1         | -   | -   | -   | 3303356 STP  |                      |
|          | 16570-ZE0-902 | .....                         | 1         | -   | -   | -   | 2119400 3303356 STS  |                      |
|          | 16500-ZH7-810 | CONTROL ASSY. (REMOTE) .....  | 1         | -   | -   | -   | 3461859 STP,STS  |                      |
|          |               |                               | 1         | -   | -   | -   | 3461860 STP,STS  |                      |
|          |               |                               | 1         | -   | -   | -   | DS,LAJ4,LJ,LJC,LJS,LJT,LSJ,LSJ4,LTJ,LTJ1,LTR,QBU2,QJG2,QMA8<br>QME4,QMX2,QSJ,QTC2,QWA4,QXG,QXG2,SAD2,SAJ,SAJ4,SCJ,SG24,SJ,SJC<br>SJC1,SJC5,SKJ,SKR,SMA7,SMJ,SMW2,VET,WDJ,WJ,WJP,WJP1,WKD6,WKT2<br>WKT4,WKT6,WME2 |                      |
|          |               |                               | 1         | -   | -   | -   | 2423947 SSK1   |                      |
|          |               |                               | 1         | -   | -   | -   | 3093870 VEE1   |                      |
|          |               |                               | -         | (1) | -   | -   | 2476407 QLL  |                      |
|          | 16570-ZE0-S00 | .....                         | 1         | -   | -   | -   | AR,DKR,KR,KRA4,KRF4,KRS4,KRT,KRT4,KRT6,LTA   |                      |
|          | 16570-ZE0-S10 | CONTROL ASSY. ....            | 1         | -   | -   | -   | 3418989 LJD2   |                      |
|          | 16570-ZK7-U20 | .....                         | 1         | -   | -   | -   | SJD2   |                      |
|          |               |                               | 1         | -   | -   | -   | 3418990 LJD2   |                      |
|          | 16500-ZK7-U50 | CONTROL ASSY. (REMOTE) .....  | 1         | -   | -   | -   | QB26,SM11,SM12,SM14  |                      |
|          | 16500-ZK7-V60 | CONTROL ASSY. (REMOTE INT) .. | 1         | -   | -   | -   | 3093871 VEE1   |                      |
|          | 16570-ZH7-W40 | CONTROL ASSY. (TB360) .....   | 1         | -   | -   | -   | 2476408 QLL  |                      |
|          | 16500-ZK7-S40 | CONTROL ASSY. ....            | 1         | -   | -   | -   | LTS  |                      |



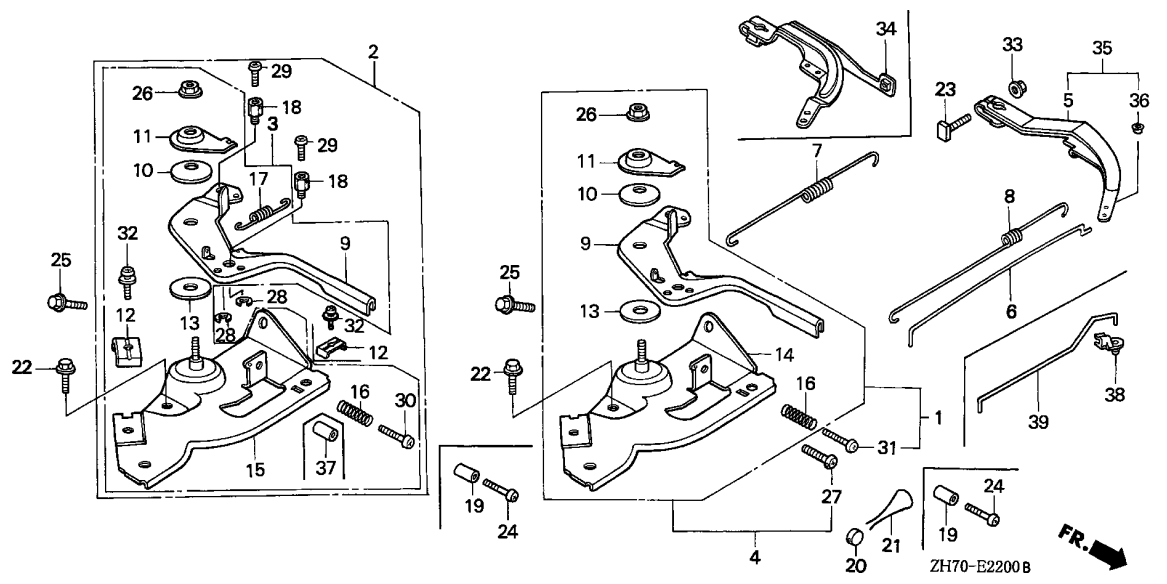


| Ref. No. | Part No.      | Description                   | Reqd. QTY |     |     |         | Serial No.   | Parts catalogue code |
|----------|---------------|-------------------------------|-----------|-----|-----|---------|--|----------------------|
|          |               |                               | (1)       | (2) | (3) | (4)     |  |                      |
| 3        | 16500-ZH7-820 | CONTROL ASSY. (REMOTE) .....  | 1         | -   | -   | -       | HH,HHQ4,HTF2,HT2,HX,HXQ,HXU,HX2,HX26,HX4,LD,LDB1,LDB3,LD4,LE,LEH4,LH,LHQ4,LW2,LX,LXU,LX2,LX26,LX4,PM,PM2,QA,QA2,QA26,QD,QE,QEH,QH,QHQ4,QH2,QH26,QJW1,QM,QMA4,QMH,QPU,QT,QX,QXQ,QXS,QXS2,QXU,QX2,QX26,QX4,QX7,RD,RD4,RH,RHC,RHQ4,RX,RX4,SD,SDB1,SDB3,SD16,SD4,SE,SH,SHQ4,SN,SWX2,SWX4,SW2,SX,SXS4, SX4, SX7   |                      |
|          | 16500-ZH7-U40 | CONTROL ASSY. (SAKAI) .....   | -         | (1) | 1   | -       | SSK2<br>3303356 SSK3,SSX4  |                      |
|          | 16500-ZH7-U41 | .....                         | 1         | -   | -   | 2423948 | 3303356 SSK1   |                      |
|          | 16500-ZH7-U42 | .....                         | 1         | -   | -   | 3303357 | 3461859 SSK1,SSK3,SSX4   |                      |
|          | 16500-ZH7-830 | CONTROL ASSY. (LOCK TYPE) ... | 1         | -   | -   | 3461860 | SSX2<br>SSK1,SSK3,SSX4   |                      |
| 5        | 16551-ZE0-010 | ARM, GOVERNOR .....           | 1         | -   | -   | -       | DS,HH,HHQ4,HTF2,HT2,HX,HXQ,HXU,HX2,HX26,HX4,LAJ4,LD,LDB1,LDB3,LD4,LE,LEH4,LH,LHQ4,LJ,LJC,LJD2,LJS,LJT,LSJ,LSJ4,LTA,LTJ,LTK1,LTR,LTS,LW2,LX,LXU,LX2,LX26,LX4,PH,PM,PM2,PX,PX2,QA,QA2,QA26,QB26,QBU2,QB26,QD,QE,QEH,QH,QHQ4,QH2,QH26,QJG2,QJW1,QLL,QM,QMA4,QMA8,QME4,QMH,QMX2,QPU,QSJ,QT,QT2,QWA4,QX,QXC,QXC9,QXG,QXG2,QXQ,QXS,QXS2,QXU,QX2,QX26,QX4,QX7,RD,RD4,RH,RHC,RHQ4,RX,RX4,SAD2,SAJ,SAJ4,SCJ,SD,SDB1,SDB3,SD16,SD4,SE,SG24,SH,SHQ4,SJ,SJC,SJC1,SJD2,SKJ,SKR,SMA7,SMW2,SM11,SM12,SM14,SN,SSK1,SSK2,SSK3,SSX2,SSX4,STP,STS,SWX2,SWX4,SW2,SX,SXS4, SX4, SX7, TH, TX, TX2, TX26, TX4, UH, UX, UXU, VA, VEE1, VET, VH, VX, VX4, VX7, WDA6, WDJ, WD12, WJ, WJP, WJP1, WJ1, WKD6, WKT2, WKT4, WKT6, WMA3, WME2, WME4, WM1 |                      |
|          | 16551-ZK7-S30 | .....                         | 1         | -   | -   | -       | 3422682 VXU<br>KRS4  |                      |

| Ref. No.      | Part No.      | Description                   | Reqd. QTY |                |     |     | Serial No.  | Parts catalogue code |
|---------------|---------------|-------------------------------|-----------|----------------|-----|-----|---|----------------------|
|               |               |                               | (1)       | GX120K1<br>(2) | (3) | (4) |   |                      |
| 6             | 16555-ZE0-000 | ROD, GOVERNOR .....           | 1         | -              | -   | -   | AR,DKR,DS,HH,HHQ4,HTF2,HT2,HX,HXQ,HXU,HX2,HX26,HX4,KR,KRA4<br>KRF4,KRT,KRT4,KRT6,LAJ4,LD,LDB1,LDB3,LD4,LE,LEH4,LH,LHQ4,LJ<br>LJC,LJD2,LJS,LJT,LSJ,LSJ4,LTA,LTJ,LTJ1,LTR,LTS,LW2,LX,LXU,LX2<br>LX26,LX4,PH,PM,PM2,PX,PX2,QA,QAA2,QA2,QA26,QBU2,QB26,QD,QE,QEH<br>QH,QHQ4,QH2,QH26,QJG2,QJW1,QLL,QM,QMA4,QMA8,QME4,QMH,QMX2,QPU<br>QSJ,QT,QTC2,QWA4,QX,QXC,QXC9,QXG,QXG2,QXQ,QXS,QXS2,QXU,QX2<br>QX26,QX4,QX7,RD,RD4,RH,RHC,RHQ4,RX,RX4,SAD2,SAJ,SAJ4,SCJ,SD<br>SDB1,SDB3,SD16,SD4,SE,SG24,SH,SHQ4,SJ,SJC,SJC1,SJC5,SJD2,SKJ<br>SKR,SMA7,SMJ,SMW2,SM11,SM12,SM14,SN,SSK1,SSK2,SSK3,SSX2,SSX4<br>STP,STS,SWX2,SWX4,SW2,SX,SXS4,SX4,SX7,TH,TX,TX2,TX26,TX4,UH,UX<br>UXU,VA,VEE1,VET,VH,VX,VX4,VX7,WDA6,WDJ,WD12,WJ,WJP,WJP1,WJ1<br>WKD6,WKT2,WKT4,WKT6,WMA3,WME2,WME4,WM1<br>3422682 VXU      |                      |
|               |               |                               | 1         | -              | -   | -   |   |                      |
|               |               |                               | -         | 1              | 1   | 1   |   |                      |
| 7             | 16561-ZE0-020 | SPRING, GOVERNOR .....        | 1         | -              | -   | -   | AR,DKR,DS,HH,HHQ4,HTF2,HT2,HX,HXQ,HXU,HX2,HX26,HX4,KR,KRA4<br>KRF4,KRS4,KRT,KRT4,KRT6,LAJ4,LD,LDB1,LDB3,LD4,LE,LEH4,LH,LHQ4<br>LJ,LJC,LJD2,LJS,LJT,LSJ,LSJ4,LTA,LTJ,LTJ1,LTR,LTS,LW2,LX,LXU<br>LX2,LX26,LX4,PH,PM,PM2,PX,PX2,QA,QAA2,QA2,QA26,QBU2,QB26,QD,QE<br>QEH,QH,QHQ4,QH2,QH26,QJG2,QJW1,QLL,QM,QMA4,QMA8,QME4,QMH,QMX2<br>QPU,QSJ,QT,QTC2,QWA4,QX,QXC,QXC9,QXG,QXG2,QXQ,QXS,QXS2,QXU,QX2<br>QX26,QX4,QX7,RD,RD4,RH,RHC,RHQ4,RX,RX4,SAD2,SAJ,SAJ4,SCJ,SD<br>SDB1,SDB3,SD16,SD4,SE,SG24,SH,SHQ4,SJ,SJC,SJC1,SJC5,SJD2,SKJ<br>SKR,SMA7,SMJ,SMW2,SM11,SM12,SM14,SN,SSK1,SSK2,SSK3,SSX2,SSX4<br>STP,STS,SWX2,SWX4,SW2,SX,SXS4,SX4,SX7,TH,TX,TX2,TX26,TX4,UH,UX<br>UXU,VA,VEE1,VET,VH,VX,VX4,VX7,WDA6,WDJ,WD12,WJ,WJP,WJP1,WJ1<br>WKD6,WKT2,WKT4,WKT6,WMA3,WME2,WME4,WM1<br>3422682 VXU |                      |
|               |               |                               | 1         | -              | -   | -   |   |                      |
|               |               |                               | -         | 1              | 1   | 1   |   |                      |
| 8             | 16562-ZE0-020 | SPRING, THROTTLE RETURN ..... | 1         | -              | -   | -   | AR,DKR,DS,HH,HHQ4,HTF2,HT2,HX,HXQ,HXU,HX2,HX26,HX4,KR,KRA4<br>KRF4,KRS4,KRT,KRT4,KRT6,LAJ4,LD,LDB1,LDB3,LD4,LE,LEH4,LH,LHQ4<br>LJ,LJC,LJD2,LJS,LJT,LSJ,LSJ4,LTA,LTJ,LTJ1,LTR,LTS,LW2,LX,LXU<br>LX2,LX26,LX4,PH,PM,PM2,PX,PX2,QA,QAA2,QA2,QA26,QBU2,QB26,QD,QE<br>QEH,QH,QHQ4,QH2,QH26,QJG2,QJW1,QLL,QM,QMA4,QMA8,QME4,QMH,QMX2<br>QPU,QSJ,QT,QTC2,QWA4,QX,QXC,QXC9,QXG,QXG2,QXQ,QXS,QXS2,QXU,QX2<br>QX26,QX4,QX7,RD,RD4,RH,RHC,RHQ4,RX,RX4,SAD2,SAJ,SAJ4,SCJ,SD<br>SDB1,SDB3,SD16,SD4,SE,SG24,SH,SHQ4,SJ,SJC,SJC1,SJC5,SJD2,SKJ<br>SKR,SMA7,SMJ,SMW2,SM11,SM12,SM14,SN,SSK1,SSK2,SSK3,SSX2,SSX4<br>STP,STS,SWX2,SWX4,SW2,SX,SXS4,SX4,SX7,TH,TX,TX2,TX26,TX4,UH,UX<br>UXU,VA,VEE1,VET,VH,VX,VX4,VX7,WDA6,WDJ,WD12,WJ,WJP,WJP1,WJ1<br>WKD6,WKT2,WKT4,WKT6,WMA3,WME2,WME4,WM1<br>3422682 VXU |                      |
|               |               |                               | 1         | -              | -   | -   |   |                      |
|               |               |                               | -         | 1              | 1   | 1   |   |                      |
| 9             | 16571-ZH7-000 | LEVER, CONTROL .....          | 1         | -              | -   | -   | DS,HH,HHQ4,HTF2,HT2,HX,HXQ,HXU,HX2,HX26,HX4,LAJ4,LD,LDB1,LDB3<br>LD4,LE,LEH4,LH,LHQ4,LJ,LJC,LJS,LJT,LSJ,LSJ4,LTJ,LTJ1,LTR,LTS<br>LW2,LX,LXU,LX2,LX26,LX4,PH,PM,PM2,PX,PX2,QA,QAA2,QA2,QA26,QBU2<br>QB26,QD,QE,QEH,QH,QHQ4,QH2,QH26,QJG2,QJW1,QLL,QM,QMA4,QMA8<br>QME4,QMH,QMX2,QPU,QSJ,QT,QTC2,QWA4,QX,QXC,QXC9,QXG,QXG2,QXQ<br>QXS,QXS2,QXU,QX2,QX26,QX4,QX7,RD,RD4,RH,RHC,RHQ4,RX,RX4,SAD2<br>SAJ,SAJ4,SCJ,SD,SDB1,SDB3,SD16,SD4,SE,SG24,SH,SHQ4,SJ,SJC,SJC1<br>SJC5,SKJ,SKR,SMA7,SMJ,SMW2,SM11,SM12,SM14,SN,SWX2,SWX4,SW2,SX<br>SXS4,SX4,SX7,TH,TX,TX2,TX26,TX4,UH,UX,UXU,VA,VEE1,VET,VH,VX<br>VX4,VX7,WDA6,WDJ,WD12,WJ,WJP,WJP1,WJ1,WKD6,WKT2,WKT4,WKT6,WMA3<br>WME2,WME4,WM1<br>2119399 STS<br>2423947 SSK1<br>3422682 VXU   |                      |
|               |               |                               | 1         | -              | -   | -   |   |                      |
|               |               |                               | 1         | -              | -   | -   |   |                      |
|               |               |                               | 1         | -              | -   | -   |   |                      |
|               |               |                               | -         | (1)            | 1   | 1   |   |                      |
| 16571-ZH7-860 | .....         |                               | -         | (1)            | -   | -   |   |                      |



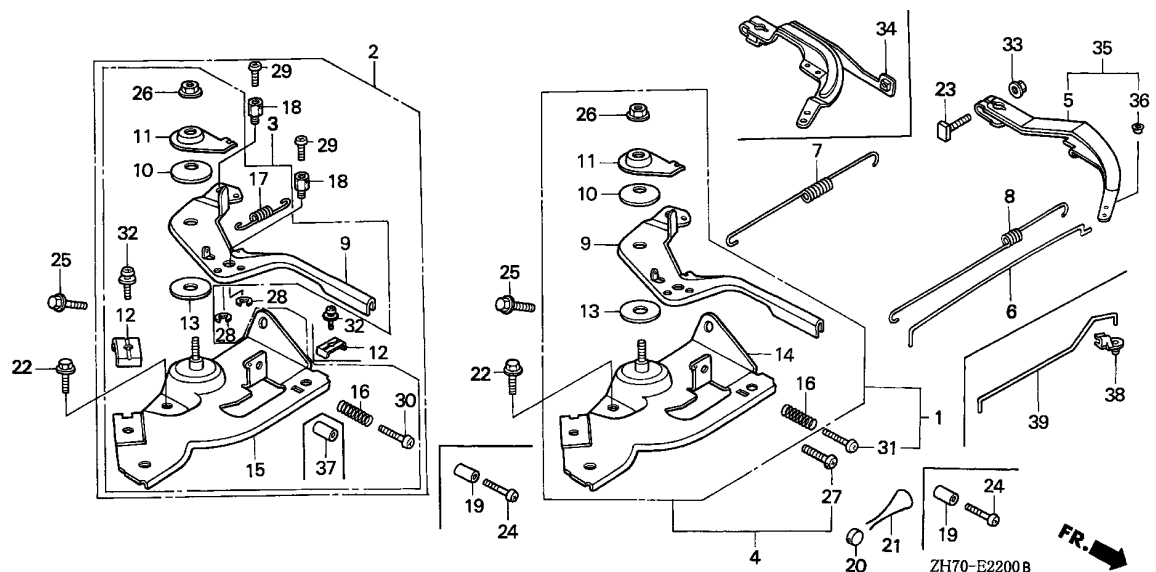




| Ref. No. | Part No.      | Description          | Reqd. QTY |     |     |         | Serial No.   | Parts catalogue code |
|----------|---------------|----------------------|-----------|-----|-----|---------|--|----------------------|
|          |               |                      | (1)       | (2) | (3) | (4)     |  |                      |
| (9)      | 16571-ZH8-000 | LEVER, CONTROL ..... | 1         | -   | -   | -       | SSK2   |                      |
|          |               |                      | 1         | -   | -   | -       | 3303356 SSK3,SSX4,STP  |                      |
|          |               |                      | 1         | -   | -   | 2119400 | 3303356 STS  |                      |
|          |               |                      | 1         | -   | -   | 2423948 | 3303356 SSK1   |                      |
|          | 16571-ZE0-S10 | .....                | 1         | -   | -   | -       | AR,DKR,KR,KRA4,KRF4,KRS4,KRT,KRT4,KRT6,LJD2,LTA,SJD2           |                      |
|          | 16571-ZH7-U40 | .....                | 1         | -   | -   | 3303357 | 3461859 SSK1,SSK3,SSX4,STP,STS                                 |                      |
|          | 16571-ZH7-U41 | .....                | 1         | -   | -   | -       | SSX2   |                      |
| 10       | 16574-ZE1-000 | SPRING, LEVER .....  | 1         | -   | -   | 3461860 | SSK1,SSK3,SSX4,STP,STS   |                      |
|          |               |                      | 1         | -   | -   | -       | AR,DKR,DS,HH,HHQ4,HTF2,HT2,HX,HXQ,HXU,HX2,HX26,HX4,KR,KRA4     |                      |
|          |               |                      |           |     |     |         | KRF4,KRS4,KRT,KRT4,KRT6,LAJ4,LD,LDB1,LDB3,LD4,LE,LEH4,LH,LHQ4  |                      |
|          |               |                      |           |     |     |         | LJ,LJC,LJD2,LJS,LJT,LSJ,LSJ4,LTA,LTJ,LTK1,LTR,LTS,LW2,LX,LXU   |                      |
|          |               |                      |           |     |     |         | LX2,LX26,LX4,PH,PM,PM2,PX,PX2,QA,QAA2,QA2,QA26,QBU2,QB26,QD,QE |                      |
|          |               |                      |           |     |     |         | QEH,QH,QHQ4,QH2,QH26,QJG2,QJW1,QLL,QM,QMA4,QMA8,QME4,QMH,QMX2  |                      |
|          |               |                      |           |     |     |         | QPU,QSJ,QT,QTC2,QWA4,QX,QXC,QXC9,QXG,QXG2,QXQ,QXS,QXS2,QXU,QX2 |                      |
|          |               |                      |           |     |     |         | QX26,QX4,QX7,RD,RD4,RH,RHC,RHQ4,RX,RX4,SAD2,SAJ,SAJ4,SCJ,SD    |                      |
|          |               |                      |           |     |     |         | SDB1,SDB3,SD16,SD4,SE,SG24,SH,SHQ4,SJ,SJC,SJC1,SJC5,SJD2,SKJ   |                      |
|          |               |                      |           |     |     |         | SKR,SMA7,SMJ,SMW2,SM11,SM12,SM14,SN,SSK1,SSK2,SSK3,SSX2,SSX4   |                      |
|          |               |                      |           |     |     |         | STP,STS,SWX2,SWX4,SW2,SX,SXS4,SX4,SX7,TH,TX,TX2,TX26,TX4,UH,UX |                      |
|          |               |                      |           |     |     |         | UXU,VA,VEE1,VET,VH,VX,VX4,VX7,WDA6,WDJ,WD12,WJ,WJP,WJP1,WJ1    |                      |
|          |               |                      |           |     |     |         | WKD6,WKT2,WKT4,WKT6,WMA3,WME2,WME4,WM1                         |                      |
|          |               |                      | 1         | -   | -   | -       | 3422682 VXU  |                      |
|          |               |                      | -         | (1) | 1   | 1       |  |                      |

| Ref. No. | Part No.      | Description                   | Reqd. QTY |                |     |     | Serial No.  | Parts catalogue code |
|----------|---------------|-------------------------------|-----------|----------------|-----|-----|---|----------------------|
|          |               |                               | (1)       | GX120K1<br>(2) | (3) | (4) |   |                      |
| 11       | 16575-ZH8-000 | WASHER, CONTROL LEVER .....   | 1         | -              | -   | -   | AR,DKR,DS,HH,HHQ4,HTF2,HT2,HX,HXQ,HXU,HX2,HX26,HX4,KR,KRA4<br>KRF4,KRS4,KRT,KRT4,KRT6,LAJ4,LD,LDB1,LDB3,LD4,LE,LEH4,LH,LHQ4<br>LJ,LJC,LJD2,LJS,LJT,LSJ,LSJ4,LTA,LTJ,LTK1,LTR,LTS,LW2,LX,LXU<br>LX2,LX26,LX4,PH,PM,PM2,PX,PX2,QA,QAA2,QA2,QA26,QBU2,QB26,QD,QE<br>QEH,QH,QHQ4,QH2,QH26,QJG2,QJW1,QLL,QM,QMA4,QMA8,QME4,QMH,QMX2<br>QPU,QSJ,QT,QTC2,QWA4,QX,QXC,QXC9,QXG,QXG2,QXQ,QXS,QXS2,QXU,QX2<br>QX26,QX4,QX7,RD,RD4,RH,RHC,RHQ4,RX,RX4,SAD2,SAJ,SAJ4,SCJ,SD<br>SDB1,SDB3,SD16,SD4,SE,SG24,SH,SHQ4,SJ,SJC,SJC1,SJC5,SJD2,SKJ<br>SKR,SMA7,SMJ,SMW2,SM11,SM12,SM14,SN,SSK1,SSK2,SSK3,SSX2,SSX4<br>STP,STS,SWX2,SWX4,SW2,SX,SXS4,SX4,SX7,TH,TX,TX2,TX26,TX4,UH,UX<br>UXU,VA,VEE1,VET,VH,VX,VX4,VX7,WDA6,WDJ,WD12,WJ,WJP,WJP1,WJ1<br>WKD6,WKT2,WKT4,WKT6,WMA3,WME2,WME4,WM1<br>3422682 VXU |                      |
|          |               |                               | 1         | (1)            | 1   | 1   |   |                      |
| 12       | 16576-891-000 | HOLDER, CABLE .....           | 1         | -              | -   | -   | AR,DKR,DS,HH,HHQ4,HTF2,HT2,HX,HXQ,HXU,HX2,HX26,HX4,KR,KRA4<br>KRF4,KRS4,KRT,KRT4,KRT6,LAJ4,LD,LDB1,LDB3,LD4,LE,LEH4,LH,LHQ4<br>LJ,LJC,LJD2,LJS,LJT,LSJ,LSJ4,LTA,LTJ,LTK1,LTR,LTS,LW2,LX,LXU<br>LX2,LX26,LX4,PM,PM2,QA,QAA2,QA2,QA26,QBU2,QD,QE,QEH,QH,QHQ4<br>QH2,QH26,QJG2,QJW1,QLL,QM,QMA4,QMA8,QME4,QMH,QMX2,QPU,QSJ,QT<br>QTC2,QWA4,QX,QXC,QXC9,QXG,QXG2,QXQ,QXS,QXS2,QXU,QX2,QX26,QX4<br>QX7,RD,RD4,RH,RHC,RHQ4,RX,RX4,SAD2,SAJ,SAJ4,SCJ,SD,SDB1,SDB3<br>SD16,SD4,SE,SG24,SH,SHQ4,SJ,SJC,SJC1,SJC5,SJD2,SKJ,SKR,SMA7<br>SMJ,SMW2,SN,SSK1,SSK2,SSK3,SSX2,SSX4,STP,STS,SWX2,SWX4,SW2,SX<br>SXS4,SX4,SX7,VEE1,VET,WDJ,WJ,WJP,WJP1,WKD6,WKT2,WKT4,WKT6,WME2<br>QB26,SM11,SM12,SM14   |                      |
|          |               |                               | 2         | (1)            | 1   | -   |   |                      |
| 13       | 16578-ZE1-000 | SPACER, CONTROL LEVER .....   | 1         | -              | -   | -   | AR,DKR,DS,HH,HHQ4,HTF2,HT2,HX,HXQ,HXU,HX2,HX26,HX4,KR,KRA4<br>KRF4,KRS4,KRT,KRT4,KRT6,LAJ4,LD,LDB1,LDB3,LD4,LE,LEH4,LH,LHQ4<br>LJ,LJC,LJD2,LJS,LJT,LSJ,LSJ4,LTA,LTJ,LTK1,LTR,LTS,LW2,LX,LXU<br>LX2,LX26,LX4,PH,PM,PM2,PX,PX2,QA,QAA2,QA2,QA26,QBU2,QB26,QD,QE<br>QEH,QH,QHQ4,QH2,QH26,QJG2,QJW1,QLL,QM,QMA4,QMA8,QME4,QMH,QMX2<br>QPU,QSJ,QT,QTC2,QWA4,QX,QXC,QXC9,QXG,QXG2,QXQ,QXS,QXS2,QXU,QX2<br>QX26,QX4,QX7,RD,RD4,RH,RHC,RHQ4,RX,RX4,SAD2,SAJ,SAJ4,SCJ,SD<br>SDB1,SDB3,SD16,SD4,SE,SG24,SH,SHQ4,SJ,SJC,SJC1,SJC5,SJD2,SKJ<br>SKR,SMA7,SMJ,SMW2,SM11,SM12,SM14,SN,SSK1,SSK2,SSK3,SSX2,SSX4<br>STP,STS,SWX2,SWX4,SW2,SX,SXS4,SX4,SX7,TH,TX,TX2,TX26,TX4,UH,UX<br>UXU,VA,VEE1,VET,VH,VX,VX4,VX7,WDA6,WDJ,WD12,WJ,WJP,WJP1,WJ1<br>WKD6,WKT2,WKT4,WKT6,WMA3,WME2,WME4,WM1<br>3422682 VXU |                      |
|          |               |                               | 1         | (1)            | 1   | 1   |   |                      |
| 14       | 16580-ZH7-000 | BASE COMP., CONTROL .....     | 1         | -              | -   | -   | PH,PX,PX2,TH,TX,TX2,TX26,TX4,UH,UX,UXU,VA,VH,VX,VX4,VX7,WDA6<br>WD12,WJ1,WMA3,WME4,WM1<br>3422682 VXU   |                      |
|          |               |                               | 1         | (1)            | -   | 1   |   |                      |
| 15       | 16580-ZH7-850 | BASE COMP., CONTROL (CYCLONE) | 1         | -              | -   | -   | QXC,QXC9  |                      |
|          | 16580-ZH7-R00 | BASE COMP., CONTROL .....     | 1         | -              | -   | -   | 3303356 STP,STS<br>3303357 STP,STS  |                      |





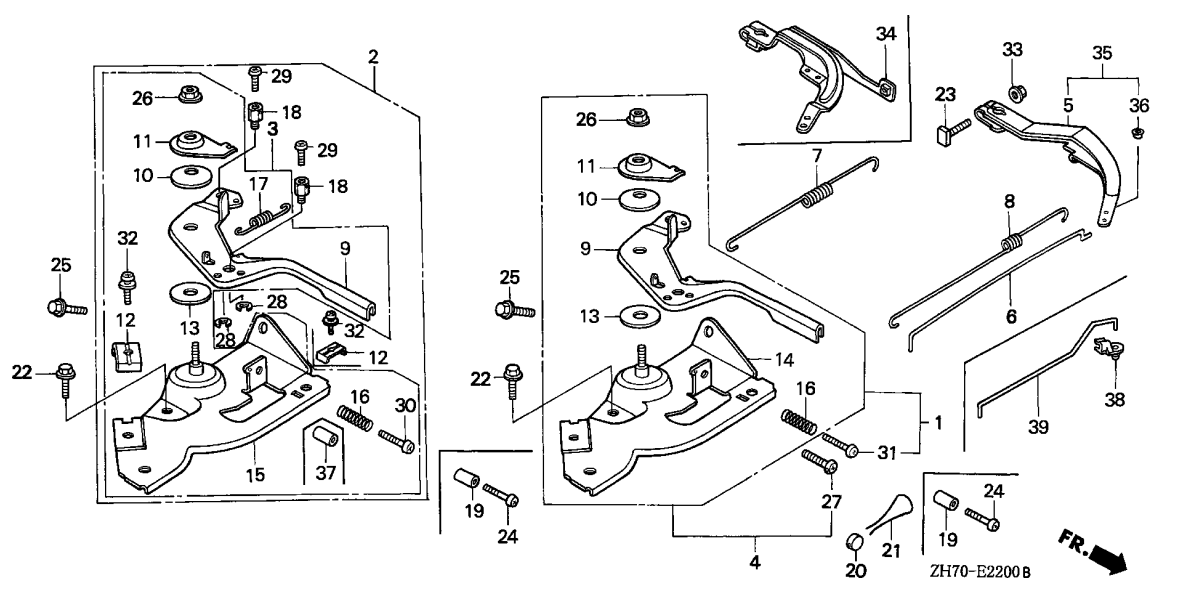
ZH70-E2200B

| Ref. No. | Part No.      | Description                   | Reqd. QTY |     |     |     | Serial No.  | Parts catalogue code |   |   |   |         |                |
|----------|---------------|-------------------------------|-----------|-----|-----|-----|---|----------------------|---|---|---|---------|----------------|
|          |               |                               | (1)       | (2) | (3) | (4) |   |                      |   |   |   |         |                |
| 15)      | 16580-ZH7-810 | BASE COMP., CONTROL .....     | 1         | -   | -   | -   | AR,DKR,DS,HH,HHQ4,HTF2,HT2,HX,HXQ,HXU,HX2,HX26,HX4,KR,KRA4,KRF4,KRS4,KRT,KRT4,KRT6,LAJ4,LD,LDB1,LDB3,LD4,LE,LEH4,LH,LHQ4,LJ,LJC,LJD2,LJS,LJT,LSJ,LSJ4,LTA,LTJ,LTK1,LTR,LTS,LW2,LX,LXU,LX2,LX26,LX4,PM,PM2,QA,QAA2,QA2,QA26,QBU2,QB26,QD,QE,QEH,QH,QHQ4,QH2,QH26,QJG2,QJW1,QLL,QM,QMA4,QMA8,QME4,QMH,QMX2,QPU,QSJ,QT,QTC2,QWA4,QX,QXC,QXC9,QXG,QXG2,QXQ,QXS,QXS2,QXU,QX2,QX26,QX4,QX7,RD,RD4,RH,RHC,RHQ4,RX,RX4,SAD2,SAJ,SAJ4,SCJ,SD,SDB1,SDB3,SD16,SD4,SE,SG24,SH,SHQ4,SJ,SJC,SJC1,SJC5,SJD2,SKJ,SKR,SMA7,SMJ,SMW2,SM11,SM12,SM14,SN,SSK2,SWX2,SWX4,SW2,SX,SXS4,SX4,SX7,VEE1,VET,WDJ,WJ,WJP,WJP1,WKD6,WKT2,WKT4,WKT6,WME2   | 1                    | - | - | - | 3303356 | SSK1,SSK3,SSX4 |
|          | 16580-ZH7-U40 | .....                         | 1         | (1) | 1   | -   | SSX2  |                      |   |   |   |         |                |
|          |               | .....                         | 1         | -   | -   | -   | 3303357   | SSK1,SSK3,SSX4       |   |   |   |         |                |
| 16       | 16584-883-300 | SPRING, CONTROL ADJUSTING ... | 1         | -   | -   | -   | AR,DKR,DS,HH,HHQ4,HTF2,HT2,HX,HXQ,HXU,HX2,HX26,HX4,KR,KRA4,KRF4,KRS4,KRT,KRT4,KRT6,LAJ4,LD,LDB1,LDB3,LD4,LE,LEH4,LH,LHQ4,LJ,LJC,LJD2,LJS,LJT,LSJ,LSJ4,LTA,LTJ,LTK1,LTR,LTS,LW2,LX,LXU,LX2,LX26,LX4,PH,PM,PM2,PX,PX2,QA,QAA2,QA2,QA26,QBU2,QB26,QD,QE,QEH,QH,QHQ4,QH2,QH26,QJG2,QJW1,QLL,QM,QMA4,QMA8,QME4,QMH,QMX2,QPU,QSJ,QT,QTC2,QWA4,QX,QXC,QXC9,QXG,QXG2,QXQ,QXS,QXS2,QXU,QX2,QX26,QX4,QX7,RD,RD4,RH,RHC,RHQ4,RX,RX4,SAD2,SAJ,SAJ4,SCJ,SD,SDB1,SDB3,SD16,SD4,SE,SG24,SH,SHQ4,SJ,SJC,SJC1,SJC5,SJD2,SKJ,SKR,SMA7,SMJ,SMW2,SM11,SM12,SM14,SN,SSK1,SSK2,SSK3,SSX2,SSX4,STP,STS,SWX2,SWX4,SW2,SX,SXS4,SX4,SX7,TH,TX,TX2,TX26,TX4,UH,UX,UXU,VA,VEE1,VET,VH,VX,VX4,VX7,WDA6,WDJ,WD12,WJ,WJP,WJP1,WJ1,WKD6,WKT2,WKT4,WKT6,WMA3,WME2,WME4,WM1 | 1                    | - | - | - | 3422682 | VXU            |
|          |               | .....                         | 1         | (1) | 1   | 1   |   |                      |   |   |   |         |                |

2

| Ref. No. | Part No.      | Description                   | Reqd. QTY |                |     |         | Serial No.  | Parts catalogue code |
|----------|---------------|-------------------------------|-----------|----------------|-----|---------|---|----------------------|
|          |               |                               | (1)       | GX120K1<br>(2) | (3) | (4)     |   |                      |
| 17       | 16592-ZE1-810 | SPRING, CABLE RETURN .....    | 1         | -              | -   | -       | AR,DKR,DS,HH,HHQ4,HTF2,HT2,HX,HXQ,HXU,HX2,HX26,HX4,KR,KRA4,KRF4,KRS4,KRT,KRT4,KRT6,LAJ4,LD,LDB1,LDB3,LD4,LE,LEH4,LH,LHQ4,LJ,LJC,LJD2,LJS,LJT,LSJ,LSJ4,LTA,LTJ,LTK1,LTR,LTS,LW2,LX,LXU,LX2,LX26,LX4,PM,PM2,QA,QAA2,QA2,QA26,QBU2,QB26,QD,QE,QEH,QH,QHQ4,QH2,QH26,QJG2,QJW1,QLL,QM,QMA4,QMA8,QME4,QMH,QMX2,QPU,QS,J,QTC2,QWA4,QX,QXC,QXC9,QXG,QXG2,QXQ,QXS,QXS2,QXU,QX2,QX26,QX4,QX7,RD,RD4,RH,RHC,RHQ4,RX,RX4,SAD2,SAJ,SAJ4,SCJ,SD,SDB1,SDB3,SD16,SD4,SE,SG24,SH,SHQ4,SJ,SJC,SJC1,SJC5,SJD2,SKJ,SKR,SMA7,SMJ,SMW2,SM11,SM12,SM14,SN,SSK1,SSK2,SSK3,SSX2,SSX4,STP,STS,SWX2,SWX4,SW2,SX,SXS4,SX4,SX7,VEE1,VET,WDJ,WJ,WJP,WJP1,WKD6,WKT2,WKT4,WKT6,WME2   |                      |
| 18       | 16594-883-010 | HOLDER, WIRE .....            | 1         | (1)            | 1   | -       | AR,DKR,DS,KR,KRA4,KRF4,KRS4,KRT,KRT4,KRT6,LAJ4,LJ,LJC,LJD2,LJS,LJT,LSJ,LSJ4,LTA,LTJ,LTK1,LTR,LTS,QBU2,QJG2,QLL,QMA8,QME4,QMX2,QS,J,QTC2,QWA4,QXC,QXC9,QXG,QXG2,SAD2,SAJ,SAJ4,SCJ,SG24,SJ,SJC,SJC1,SJC5,SJD2,SKJ,SKR,SMA7,SMJ,SMW2,STP,STS,VEE1,VET,WDJ,WJ,WJP,WJP1,WKD6,WKT2,WKT4,WKT6,WME2   |                      |
|          |               |                               | 1         | -              | -   | -       | 2423948 SSK1  |                      |
|          |               |                               | 2         | -              | -   | -       | SM11,SM12,SM14  |                      |
|          |               |                               | 2         | -              | -   | 3230227 | QB26  |                      |
| 19       | 16599-ZG1-M10 | COLLAR, STOPPER .....         | (1)       | (1)            | -   | -       | HHQ4,HX4,KRT4,LAJ4,LD4,LEH4,LHQ4,LSJ4,LX4,QE,QEH,QHQ4,QLL,QMA4,QMA8,QME4,QPU,QWA4,QX4,QX7,RD4,RHC,RHQ4,RX4,SAJ4,SD4,SE,SG24,SHQ4,SMA7,SXS4,SX4,SX7,TX4,VX4,VX7,WKT4,WMA3,WM1  |                      |
| 20       | 16727-705-000 | END, LOCK .....               | 1         | -              | -   | 3093871 | VEE1  |                      |
|          |               |                               | -         | (1)            | -   | -       |   |                      |
| 21       | 16729-705-010 | WIRE, LOCK .....              | 1         | -              | -   | 3093871 | VEE1  |                      |
|          |               |                               | -         | (1)            | -   | -       |   |                      |
| 22       | 90013-883-000 | BOLT, FLANGE, 6X12(CT200) ... | 1         | -              | -   | -       | AR,DKR,DS,HH,HHQ4,HTF2,HT2,HX,HXQ,HXU,HX2,HX26,HX4,KR,KRA4,KRF4,KRS4,KRT,KRT4,KRT6,LAJ4,LD,LDB1,LDB3,LD4,LE,LEH4,LH,LHQ4,LJ,LJC,LJD2,LJS,LJT,LSJ,LSJ4,LTA,LTJ,LTK1,LTR,LTS,LW2,LX,LXU,LX2,LX26,LX4,PH,PM,PM2,PX,PX2,QA,QAA2,QA2,QA26,QBU2,QB26,QD,QE,QEH,QH,QHQ4,QH2,QH26,QJG2,QJW1,QLL,QM,QMA4,QMA8,QME4,QMH,QMX2,QPU,QS,J,QTC2,QWA4,QX,QXC,QXC9,QXG,QXG2,QXQ,QXS,QXS2,QXU,QX2,QX26,QX4,QX7,RD,RD4,RH,RHC,RHQ4,RX,RX4,SAD2,SAJ,SAJ4,SCJ,SD,SDB1,SDB3,SD16,SD4,SE,SG24,SH,SHQ4,SJ,SJC,SJC1,SJC5,SJD2,SKJ,SKR,SMA7,SMJ,SMW2,SM11,SM12,SM14,SN,SSK1,SSK2,SSK3,SSX2,SSX4,STP,STS,SWX2,SWX4,SW2,SX,SXS4,SX4,SX7,TH,TX,TX2,TX26,TX4,UH,UX,UXU,VA,VEE1,VET,VH,VX,VX4,VX7,WDA6,WDJ,WD12,WJ,WJP,WJP1,WJ1,WKD6,WKT2,WKT4,WKT6,WMA3,WME2,WME4,WM1 |                      |
|          |               |                               | 1         | -              | -   | -       | 3422682 VXU   |                      |
|          |               |                               | -         | 1              | 1   | 1       |   |                      |
| 23       | 90015-ZE5-010 | BOLT, GOVERNOR ARM .....      | 1         | -              | -   | -       | AR,DKR,DS,HH,HHQ4,HTF2,HT2,HX,HXQ,HXU,HX2,HX26,HX4,KR,KRA4,KRF4,KRS4,KRT,KRT4,KRT6,LAJ4,LD,LDB1,LDB3,LD4,LE,LEH4,LH,LHQ4,LJ,LJC,LJD2,LJS,LJT,LSJ,LSJ4,LTA,LTJ,LTK1,LTR,LTS,LW2,LX,LXU,LX2,LX26,LX4,PH,PM,PM2,PX,PX2,QA,QAA2,QA2,QA26,QBU2,QB26,QD,QE,QEH,QH,QHQ4,QH2,QH26,QJG2,QJW1,QLL,QM,QMA4,QMA8,QME4,QMH,QMX2,QPU,QS,J,QTC2,QWA4,QX,QXC,QXC9,QXG,QXG2,QXQ,QXS,QXS2,QXU,QX2,QX26,QX4,QX7,RD,RD4,RH,RHC,RHQ4,RX,RX4,SAD2,SAJ,SAJ4,SCJ,SD,SDB1,SDB3,SD16,SD4,SE,SG24,SH,SHQ4,SJ,SJC,SJC1,SJC5,SJD2,SKJ,SKR,SMA7,SMJ,SMW2,SM11,SM12,SM14,SN,SSK1,SSK2,SSK3,SSX2,SSX4,STP,STS,SWX2,SWX4,SW2,SX,SXS4,SX4,SX7,TH,TX,TX2,TX26,TX4,UH,UX,UXU,VA,VEE1,VET,VH,VX,VX4,VX7,WDA6,WDJ,WD12,WJ,WJP,WJP1,WJ1,WKD6,WKT2,WKT4,WKT6,WMA3,WME2,WME4,WM1 |                      |
|          |               |                               | 1         | -              | -   | -       | 3422682 VXU   |                      |
|          |               |                               | -         | 1              | 1   | 1       |   |                      |
| 24       | 90016-ZE7-W00 | SCREW, RECESSED, 5X28 .....   | (1)       | -              | -   | -       | QLL   |                      |

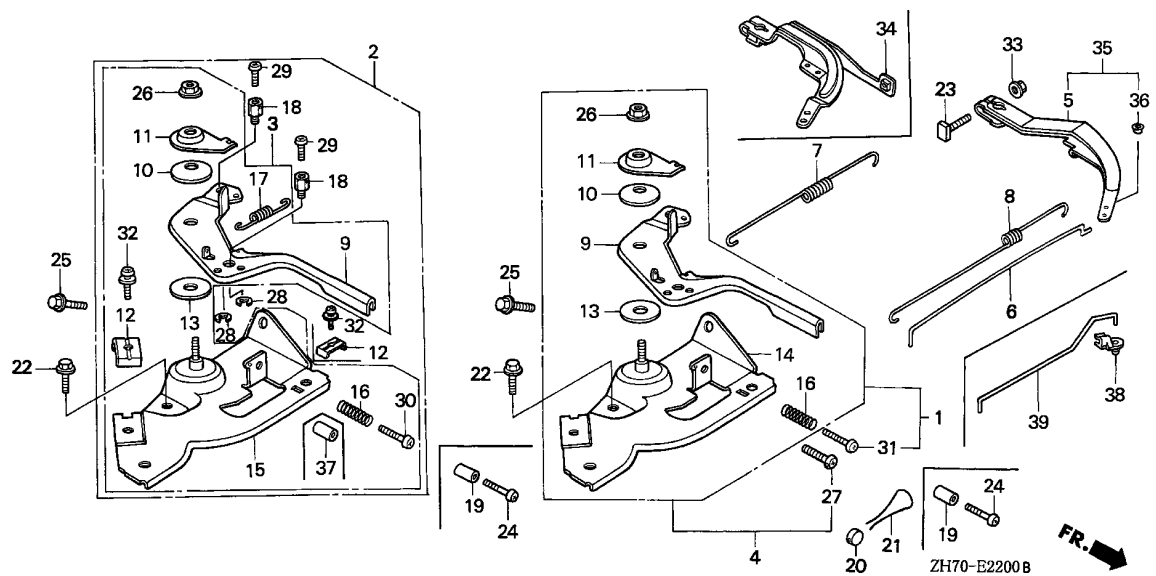




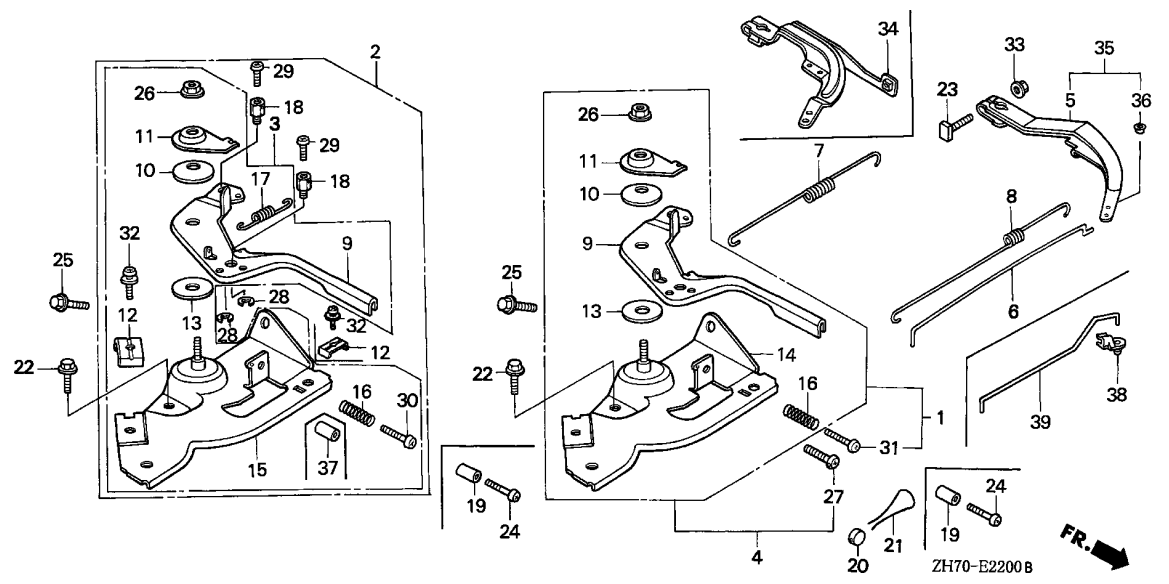
| Ref. No. | Part No.      | Description               | Reqd. QTY |     |     |     | Serial No.   | Parts catalogue code |
|----------|---------------|---------------------------|-----------|-----|-----|-----|--|----------------------|
|          |               |                           | (1)       | (2) | (3) | (4) |  |                      |
| 24)      | 90016-ZG9-N30 | SCREW, RECESSED, 5X25     | (1)       | -   | -   | -   | HHQ4, HX4, KRT4, LAJ4, LD4, LEH4, LHQ4, LSJ4, LX4, QE, QEH, QHQ4, QMA4, QMA8, QME4, QPU, QWA4, QX4, QX7, RD4, RHC, RHQ4, RX4, SAJ4, SD4, SE, SG24, SHQ4, SMA7, SXS4, SX4, SX7, TX4, VX4, VX7, WKT4, WMA3, WM1  |                      |
| 25       | 90022-888-010 | BOLT, FLANGE, 6X20(CT200) | 1         | -   | -   | -   | AR, DKR, DS, HH, HHQ4, HTF2, HT2, HX, HXQ, HXU, HX2, HX26, HX4, KR, KRA4, KRF4, KRS4, KRT, KRT4, KRT6, LAJ4, LD, LDB1, LDB3, LD4, LE, LEH4, LH, LHQ4, LJ, LJC, LJD2, LJS, LJT, LSJ, LSJ4, LTA, LTJ, LTK1, LTR, LTS, LW2, LX, LXU, LX2, LX26, LX4, PH, PM, PM2, PX, PX2, QA, QAA2, QA2, QA26, QBU2, QB26, QD, QE, QEH, QH, QHQ4, QH2, QH26, QJG2, QJW1, QLL, QM, QMA4, QMA8, QME4, QMH, QMX2, QPU, QSJ, QT, QTC2, QWA4, QX, QXC, QXC9, QXG, QXG2, QXQ, QXS, QXS2, QXU, QX2, QX26, QX4, QX7, RD, RD4, RH, RHC, RHQ4, RX, RX4, SAD2, SAJ, SAJ4, SCJ, SD, SDB1, SDB3, SD16, SD4, SE, SG24, SH, SHQ4, SJ, SJC, SJC1, SJC5, SJD2, SKJ, SKR, SMA7, SMJ, SMW2, SM11, SM12, SM14, SN, SSK1, SSK2, SSK3, SSX2, SSX4, STP, STS, SWX2, SWX4, SW2, SX, SXS4, SX4, SX7, TH, TX, TX2, TX26, TX4, UH, UX, UXU, VA, VEE1, VET, VH, VX, VX4, VX7, WDA6, WDJ, WD12, WJ, WJP, WJP1, WJ1, WKD6, WKT2, WKT4, WKT6, WMA3, WME2, WME4, WM1 |                      |
|          |               |                           | 1         | -   | -   | -   | 3422682 VXU  |                      |
|          |               |                           | -         | 1   | 1   | 1   |  |                      |

| Ref. No. | Part No.       | Description                 | Reqd. QTY |                |     |     | Serial No.   | Parts catalogue code |
|----------|----------------|-----------------------------|-----------|----------------|-----|-----|--|----------------------|
|          |                |                             | (1)       | GX120K1<br>(2) | (3) | (4) |  |                      |
| 26       | 90114-SA0-000  | NUT, SELF-LOCK, 6MM .....   | 1         | -              | -   | -   | AR,DKR,DS,HH,HHQ4,HTF2,HT2,HX,HXQ,HXU,HX2,HX26,HX4,KR,KRA4<br>KRF4,KRS4,KRT,KRT4,KRT6,LAJ4,LD,LDB1,LDB3,LD4,LE,LEH4,LH,LHQ4<br>LJ,LJC,LJD2,LJS,LJT,LSJ,LSJ4,LTA,LTJ,LTK1,LTR,LTS,LW2,LX,LXU<br>LX2,LX26,LX4,PH,PM,PM2,PX,PX2,QA,QAA2,QA2,QA26,QBU2,QB26,QD,QE<br>QEH,QH,QHQ4,QH2,QH26,QJG2,QJW1,QLL,QM,QMA4,QMA8,QME4,QMH,QMX2<br>QPU,QSJ,QT,QTC2,QWA4,QX,QXC,QXC9,QXG,QXG2,QXQ,QXS,QXS2,QXU,QX2<br>QX26,QX4,QX7,RD,RD4,RH,RHC,RHQ4,RX,RX4,SAD2,SAJ,SAJ4,SCJ,SD<br>SDB1,SDB3,SD16,SD4,SE,SG24,SH,SHQ4,SJ,SJC,SJC1,SJC5,SJD2,SKJ<br>SKR,SMA7,SMJ,SMW2,SM11,SM12,SM14,SN,SSK1,SSK2,SSK3,SSX2,SSX4<br>STP,STS,SWX2,SWX4,SW2,SX,SXS4,SX4,SX7,TH,TX,TX2,TX26,TX4,UH,UX<br>UXU,VA,VEE1,VET,VH,VX,VX4,VX7,WDA6,WDJ,WD12,WJ,WJP,WJP1,WJ1<br>WKD6,WKT2,WKT4,WKT6,WMA3,WME2,WME4,WM1 |                      |
|          |                |                             | 1         | -              | -   | -   | 3422682 VXU  |                      |
|          |                |                             | -         | (1)            | 1   | 1   |  |                      |
| 27       | 90121-ZE0-000  | SCREW, LOCK PAN .....       | 1         | -              | -   | -   | 3093871 VEE1   |                      |
|          |                |                             | -         | (1)            | -   | -   |  |                      |
| 28       | 90605-230-000  | CIRCLIP, 5MM .....          | 1         | -              | -   | -   | AR,DKR,DS,KR,KRA4,KRF4,KRS4,KRT,KRT4,KRT6,LAJ4,LJ,LJC,LJD2,LJS<br>LJT,LSJ,LSJ4,LTA,LTJ,LTK1,LTR,LTS,QBU2,QJG2,QLL,QMA8,QME4,QMX2<br>QJG2,QJW1,QLL,QM,QMA4,QMA8,QME4,QMH,QMX2,QPU,QSJ,QT,QTC2,QWA4<br>QX,QXC,QXC9,QXG,QXG2,SAD2,SAJ,SAJ4,SCJ,SG24,SJ,SJC<br>SJC1,SJC5,SJD2,SKJ,SKR,SMA7,SMJ,SMW2,STP,STS,VEE1,VET,WDJ,WJ<br>WJP,WJP1,WKD6,WKT2,WKT4,WKT6,WME2   |                      |
|          |                |                             | 1         | -              | -   | -   | 2423948 SSK1   |                      |
|          |                |                             | 2         | -              | -   | -   | SM11,SM12,SM14   |                      |
|          |                |                             | 2         | -              | -   | -   | 3230227 QB26   |                      |
|          |                |                             | -         | (1)            | -   | -   |  |                      |
| 29       | 93500-04006-OH | SCREW, PAN, 4X6 .....       | 1         | -              | -   | -   | AR,DKR,DS,KR,KRA4,KRF4,KRS4,KRT,KRT4,KRT6,LAJ4,LJ,LJC,LJD2,LJS<br>LJT,LSJ,LSJ4,LTA,LTJ,LTK1,LTR,LTS,QBU2,QJG2,QLL,QMA8,QME4,QMX2<br>QJG2,QJW1,QLL,QM,QMA4,QMA8,QME4,QMH,QMX2,QPU,QSJ,QT,QTC2,QWA4<br>QX,QXC,QXC9,QXG,QXG2,SAD2,SAJ,SAJ4,SCJ,SG24,SJ,SJC<br>SJC1,SJC5,SJD2,SKJ,SKR,SMA7,SMJ,SMW2,STP,STS,VEE1,VET,WDJ,WJ<br>WJP,WJP1,WKD6,WKT2,WKT4,WKT6,WME2   |                      |
|          |                |                             | 1         | -              | -   | -   | 2423948 SSK1   |                      |
|          |                |                             | 2         | -              | -   | -   | SM11,SM12,SM14   |                      |
|          |                |                             | 2         | -              | -   | -   | 3230227 QB26   |                      |
|          |                |                             | -         | (1)            | -   | -   |  |                      |
| 30       | 93500-05025-OH | SCREW, PAN, 5X25 .....      | 1         | -              | -   | -   | AR,DKR,DS,HH,HHQ4,HTF2,HT2,HX,HXQ,HXU,HX2,HX26,HX4,KR,KRA4<br>KRF4,KRS4,KRT,KRT4,LAJ4,LD,LDB1,LDB3,LD4,LE,LEH4,LH,LHQ4,LJ<br>LJC,LJS,LJT,LSJ,LSJ4,LTA,LTJ,LTK1,LTR,LW2,LX,LXU,LX2,LX26,LX4<br>PM,PM2,QA,QAA2,QA2,QA26,QBU2,QB26,QD,QE,QEH,QH,QHQ4,QH2,QH26<br>QJG2,QJW1,QLL,QM,QMA4,QMA8,QME4,QMH,QMX2,QPU,QSJ,QT,QTC2,QWA4<br>QX,QXC,QXC9,QXG,QXG2,QXQ,QXS,QXS2,QXU,QX2,QX26,QX4,QX7,RD,RD4<br>RH,RHC,RHQ4,RX,RX4,SAD2,SAJ,SAJ4,SCJ,SD,SDB1,SDB3,SD16,SD4,SE<br>SG24,SH,SHQ4,SJ,SJC,SJC1,SJC5,SKJ,SKR,SMA7,SMJ,SMW2,SM11,SM12<br>SM14,SN,SSK1,SSK2,SSK3,SSX2,SSX4,STP,STS,SWX2,SWX4,SW2,SX,SXS4<br>SX4,SX7,VET,WDJ,WJ,WJP,WJP1,WJ1,WKD6,WKT2,WKT4,WKT6,WME2   |                      |
|          |                |                             | 1         | -              | -   | -   | 3093870 VEE1   |                      |
|          |                |                             | 1         | -              | -   | -   | 3418989 LJD2   |                      |
|          |                |                             | -         | (1)            | 1   | -   |  |                      |
|          | 90016-ZG9-N30  | SCREW, RECESSED, 5X25 ..... | 1         | -              | -   | -   | SJD2   |                      |
|          | 90121-ZE0-000  | SCREW, LOCK PAN .....       | 1         | -              | -   | -   | 3418990 LJD2   |                      |
|          | 93500-05030-0A | SCREW, PAN, 5X30 .....      | 1         | -              | -   | -   | 3093871 VEE1   |                      |
|          |                |                             | 1         | -              | -   | -   | LTS  |                      |
| 31       | 93500-05025-OH | SCREW, PAN, 5X25 .....      | 1         | -              | -   | -   | WD12   |                      |
|          | 93500-05028-0A | SCREW, PAN, 5X28 .....      | 1         | (1)            | -   | -   | 2812716 L1,PH,PX,PX2,Q1,TH,TX,TX2,TX26,TX4,UH,UX,VA,VH,VX,VX4,V1,WMA3<br>W1  |                      |
|          |                |                             | -         | (1)            | -   | -   | H1,R1,S1,U1  |                      |





| Ref. No. | Part No.       | Description        | Reqd. QTY |     |     |     | Serial No. | Parts catalogue code   |
|----------|----------------|--------------------|-----------|-----|-----|-----|------------|--|
|          |                |                    | (1)       | (2) | (3) | (4) |            |  |
| 31)      | 93500-05025-0H | SCREW, PAN, 5X25   | 1         | (1) | -   | -   | 2812717    | L1,PH,PX,PX2,Q1,TH,TX,TX2,TX26,TX4,UH,UX,VA,VH,VX,VX4,V1,WMA3<br>W1  |
|          |                |                    | 1         | -   | -   | -   |            | KRT6,UXU,VX7,WDA6,WME4,WM1   |
|          |                |                    | 1         | -   | -   | -   | 3422682    | VXU  |
| 32       | 93893-05016-00 | SCREW-WASHER, 5X16 | 1         | -   | -   | 1   | 2308556    | HX,HXQ,HX2,LX2,QA,QA2,QH2,QX,QXC,QXG,QXG2,QXQ,QXS,QXS2,QX2   |
|          |                |                    | 1         | -   | -   | -   | 2311704    | DS,HH,LD,LE,LH,LJ,LTA,LTJ,LW2,LX,PM,PM2,QD,QE,QEH,QH,QM,QSJ,QT<br>RD,RH,RX,SD,SE,SH,SJ,SKJ,SMJ,SN,STS,SW2,SX,VET,WJ  |
|          | 93500-05016-0A | SCREW, PAN, 5X16   | 1         | (1) | -   | -   | 2311704    | AR,DKR,HHQ4,HTF2,HT2,HXU,HX26,HX4,KR,KRA4,KRF4,KRS4,KRT,KRT4<br>KRT6,LAJ4,LDB1,LDB3,LD4,LEH4,LHQ4,LJC,LJD2,LJS,LJT,LSJ,LSJ4<br>LTK1,LTR,LTS,LXU,LX26,LX4,QAA2,QA26,QBU2,QHQ4,QH26,QJG2,QJW1<br>QLL,QMA4,QMA8,QME4,QMH,QMX2,QPU,QTC2,QWA4,QXC9,QXU,QX26,QX4<br>QX7,RD4,RHC,RHQ4,RX4,SAD2,SAJ,SAJ4,SCJ,SDB1,SDB3,SD16,SD4,SG24<br>SHQ4,SJC,SJC1,SJC5,SJD2,SKR,SMA7,SMW2,SSK1,SSK2,SSK3,SSX2,SSX4<br>STP,SWX2,SWX4,SXS4,SX4,SX7,VEE1,WDJ,WJP,WJP1,WKD6,WKT2,WKT4<br>WKT6,WME2 |
|          |                |                    | 1         | -   | -   | -   | 2308557    | HX,HXQ,HX2,LX2,QA,QA2,QH2,QX,QXC,QXG,QXG2,QXQ,QXS,QXS2,QX2   |
|          |                |                    | 1         | -   | -   | -   | 2311705    | DS,HH,LD,LE,LH,LJ,LTA,LTJ,LW2,LX,PM,PM2,QD,QE,QEH,QH,QM,QSJ,QT<br>RD,RH,RX,SD,SE,SH,SJ,SKJ,SMJ,SN,STS,SW2,SX,VET,WJ  |
|          |                |                    | 2         | -   | -   | -   |            | QB26,SM11,SM12,SM14  |
|          |                |                    | -         | (1) | -   | -   | 2311705    |  |
|          |                |                    | -         | -   | 1   | -   |            |  |



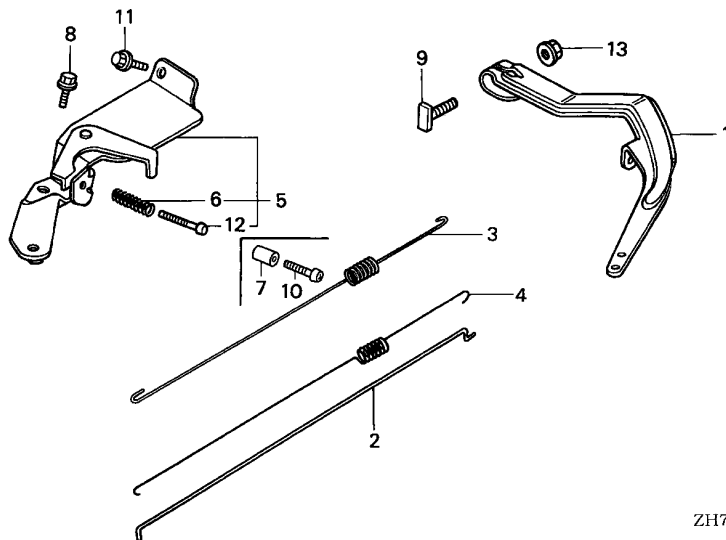
| Ref. No. | Part No.      | Description                 | Reqd. QTY |     |     |     | Serial No. | Parts catalogue code  |
|----------|---------------|-----------------------------|-----------|-----|-----|-----|------------|---|
|          |               |                             | (1)       | (2) | (3) | (4) |            |   |
|          |               |                             | GX120K1   |     |     |     |            |   |
| 33       | 94050-06000   | NUT, FLANGE, 6MM            | 1         | -   | -   | -   |            | AR,DKR,DS,HH,HHQ4,HTF2,HT2,HX,HXQ,HXU,HX2,HX26,HX4,KR,KRA4,KRF4,KRS4,KRT,KRT4,KRT6,LAJ4,LD,LDB1,LDB3,LD4,LE,LEH4,LH,LHQ4,LJ,LJC,LJD2,LJS,LJT,LSJ,LSJ4,LTA,LTJ,LTK1,LTR,LTS,LW2,LX,LXU,LX2,LX26,LX4,PH,PM,PM2,PX,PX2,QA,QAA2,QA2,QA26,QBU2,QB26,QD,QE,QEH,QH,QHQ4,QH2,QH26,QJG2,QJW1,QLL,QM,QMA4,QMA8,QME4,QMH,QMX2,QPU,QSJ,QT,QTC2,QWA4,QX,QXC,QXC9,QXG,QXG2,QXQ,QXS,QXS2,QXU,QX2,QX26,QX4,QX7,RD,RD4,RH,RHC,RHQ4,RX,RX4,SAD2,SAJ,SAJ4,SCJ,SD,SDB1,SDB3,SD16,SD4,SE,SG24,SH,SHQ4,SJ,SJC,SJC1,SJC5,SJD2,SKJ,SKR,SMA7,SMJ,SMW2,SM11,SM12,SM14,SN,SSK1,SSK2,SSK3,SSX2,SSX4,STP,STS,SWX2,SWX4,SW2,SX,SXS4,SX4,SX7,TH,TX,TX2,TX26,TX4,UH,UX,UXU,VA,VEE1,VET,VH,VX,VX4,VX7,WDA6,WDJ,WD12,WJ,WJP,WJP1,WJ1,WKD6,WKT2,WKT4,WKT6,WMA3,WME2,WME4,WM1 |
|          |               |                             | 1         | -   | -   | -   | 3422682    | VXU   |
| 34       | 16550-ZH7-V30 | ARM COMP., GOVERNOR (MEIJI) | 1         | -   | -   | -   |            | SJC5,SMJ  |
| 35       | 16550-ZK7-V00 | ARM COMP., GOVERNOR         | 1         | -   | -   | -   |            | AR,DKR,KR,KRA4,KRF4,KRT,KRT4,KRT6   |
| 36       | 16552-896-650 | COLLAR, LEVER               | 1         | -   | -   | -   |            | AR,DKR,KR,KRA4,KRF4,KRT,KRT4,KRT6   |
| 37       | 16599-ZG1-M10 | COLLAR, STOPPER             | 1         | -   | -   | -   |            | SJD2  |
|          |               |                             | 1         | -   | -   | -   | 3418990    | LJD2  |
| 38       | 16263-883-W10 | JOINT, ROD                  | 1         | -   | -   | -   |            | KRS4  |
| 39       | 16555-ZK7-S30 | ROD, GOVERNOR               | 1         | -   | -   | -   |            | KRS4  |



E-22-1

CONTROL(2)

L16



ZH70-E2201



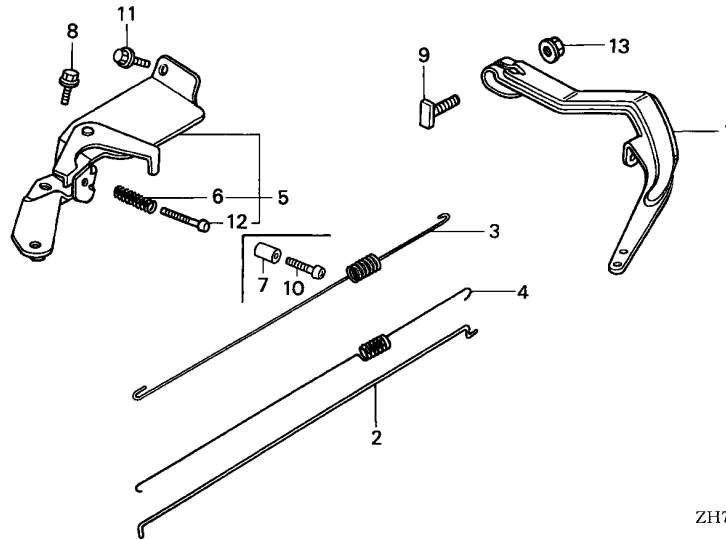
| Ref. No. | L.O.N. | (Relative ref. Number) Description | F.R.T. |
|----------|--------|------------------------------------|--------|
| 1        | 1161A0 | ARM, GOVERNOR .....                | 0.3    |
| 2        | 1161B1 | ROD, GOVERNOR .....                | 0.3    |
| 3        | 1161C5 | SPRING, GOVERNOR .....             | 0.2    |
| 4        | 1161C2 | SPRING, THROTTLE RETURN .....      | 0.3    |
| 5        | 1161D1 | CONTROL, THROTTLE/GOVERNOR(A)      | 0.2    |

| Ref. No. | Part No.                       | Description                   | Reqd. QTY |        |        |         | Serial No.   | Parts catalogue code |
|----------|--------------------------------|-------------------------------|-----------|--------|--------|---------|--|----------------------|
|          |                                |                               | (1)       | (2)    | (3)    | (4)     |  |                      |
| 1        | 16551-ZE0-010                  | ARM, GOVERNOR .....           | 1         | -      | -      | -       | EN,ET,ETX,VAX4,VED,VED1,VED6,VEX,VEX7,VMS4,VMT,VPR4,VS,VSX VSX1,VS1        |                      |
| 2        | 16555-ZE0-000                  | ROD, GOVERNOR .....           | 1         | -      | -      | 3422683 | VXU<br>EN,ET,ETX,VAX4,VED,VED1,VED6,VEX,VEX7,VMS4,VMT,VPR4,VS,VSX VSX1,VS1 |                      |
| 3        | 16561-ZE0-020                  | SPRING, GOVERNOR .....        | 1         | -      | -      | 3422683 | VXU<br>EN,ET,ETX,VAX4,VED,VED1,VED6,VEX,VEX7,VMS4,VMT,VPR4,VS,VSX VSX1,VS1 |                      |
| 4        | 16562-ZE0-020<br>16562-ZE1-020 | SPRING, THROTTLE RETURN ..... | 1<br>1    | -<br>- | -<br>- | 3422683 | VXU<br>EN,ET,ETX,VED,VED1,VED6,VS,VSX,VSX1,VS1                             |                      |
| 5        | 16570-ZB0-000                  | CONTROL ASSY. ....            | 1         | -      | -      | 3422683 | VXU<br>EN,ET,ETX,VAX4,VED,VED1,VED6,VEX,VEX7,VMS4,VMT,VPR4,VS,VSX VSX1,VS1 |                      |
| 6        | 16584-883-300                  | SPRING, CONTROL ADJUSTING ... | 1         | -      | -      | 3422683 | VXU<br>EN,ET,ETX,VAX4,VED,VED1,VED6,VEX,VEX7,VMS4,VMT,VPR4,VS,VSX VSX1,VS1 |                      |
| 7        | 16599-ZG1-M10                  | COLLAR, STOPPER .....         | (1)       | -      | -      | -       | VAX4,VEX,VEX7,VMS4,VMT,VPR4  |                      |
| 8        | 90013-883-000                  | BOLT, FLANGE, 6X12(CT200) ... | 1         | -      | -      | -       | EN,ET,ETX,VAX4,VED,VED1,VED6,VEX,VEX7,VMS4,VMT,VPR4,VS,VSX VSX1,VS1        |                      |
| 9        | 90015-ZE5-010                  | BOLT, GOVERNOR ARM .....      | 1         | -      | -      | 3422683 | VXU<br>EN,ET,ETX,VAX4,VED,VED1,VED6,VEX,VEX7,VMS4,VMT,VPR4,VS,VSX VSX1,VS1 |                      |
| 10       | 90016-ZG9-N30                  | SCREW, RECESSED, 5X25 .....   | (1)       | -      | -      | 3422683 | VXU<br>VAX4,VEX,VEX7,VMS4,VMT,VPR4   |                      |
| 11       | 90022-888-010                  | BOLT, FLANGE, 6X20(CT200) ... | 1         | -      | -      | -       | EN,ET,ETX,VED,VED1,VED6,VMT,VPR4,VS,VSX,VSX1,VS1                           |                      |

E-22-1

CONTROL(2)

M 1

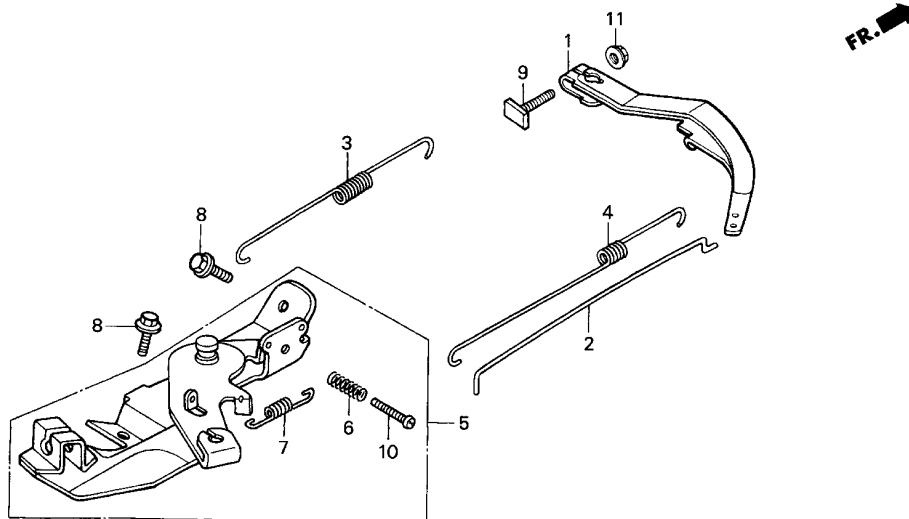


ZH70-E2201



| Ref. No. | Part No.       | Description                   | Reqd. QTY |     |     |         | Serial No.         | Parts catalogue code                                       |
|----------|----------------|-------------------------------|-----------|-----|-----|---------|--------------------|--|
|          |                |                               | (1)       | (2) | (3) | (4)     |                    |  |
| 11)      | 90013-883-000  | BOLT, FLANGE, 6X12(CT200) ... | 1         | -   | -   | -       | VAX4,VEX,VEX7,VMS4 |  |
| 12       | 93500-05035-0A | SCREW, PAN, 5X35 .....        | 1         | -   | -   | 3422683 | VXU                | EN,ET,ETX,VAX4,VED,VED1,VED6,VEX,VEX7,VMS4,VMT,VPR4,VS,VSX |
| 13       | 94050-06000    | NUT, FLANGE, 6MM .....        | 1         | -   | -   | 3422683 | VXU                | EN,ET,ETX,VAX4,VED,VED1,VED6,VEX,VEX7,VMS4,VMT,VPR4,VS,VSX |
|          |                |                               | 1         | -   | -   | 3422683 | VXU                | VSX1,VS1   |

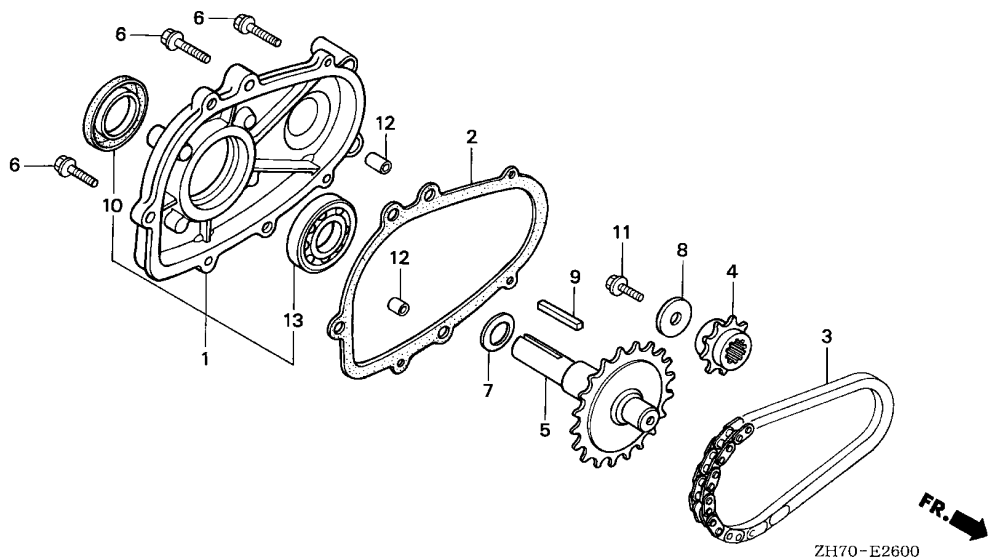
2



ZH70-E2202

| Ref. No. | L.O.N. | (Relative ref. Number) Description | F.R.T. |
|----------|--------|------------------------------------|--------|
| 1        | 1161A0 | ARM, GOVERNOR .....                | 0.3    |
| 2        | 1161B1 | ROD, GOVERNOR .....                | 0.3    |
| 3        | 1161C5 | SPRING, GOVERNOR .....             | 0.2    |
| 4        | 1161C2 | SPRING, THROTTLE RETURN .....      | 0.3    |
| 5        | 1161A5 | CONTROL, THROTTLE/GOVERNOR ...     | 0.3    |

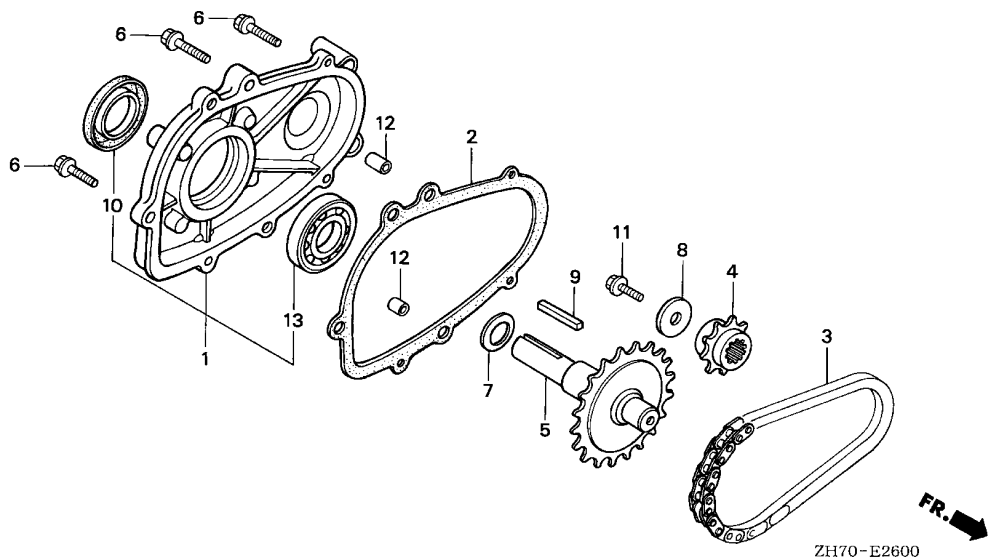
| Ref. No. | Part No.       | Description                   | Reqd. QTY |     |     |     | Serial No. | Parts catalogue code |
|----------|----------------|-------------------------------|-----------|-----|-----|-----|------------|----------------------|
|          |                |                               | (1)       | (2) | (3) | (4) |            |                      |
| 1        | 16551-ZE0-010  | ARM, GOVERNOR .....           | 1         | -   | -   | -   | -----      | VEK                  |
| 2        | 16555-ZE0-000  | ROD, GOVERNOR .....           | 1         | -   | -   | -   | -----      | VEK                  |
| 3        | 16561-733-010  | SPRING, GOVERNOR .....        | 1         | -   | -   | -   | -----      | VEK                  |
| 4        | 16562-ZE0-020  | SPRING, THROTTLE RETURN ..... | 1         | -   | -   | -   | -----      | VEK                  |
| 5        | 16570-733-000  | CONTROL ASSY. ....            | 1         | -   | -   | -   | -----      | VEK                  |
| 6        | 16584-883-300  | SPRING, CONTROL ADJUSTING ... | 1         | -   | -   | -   | -----      | VEK                  |
| 7        | 16592-ZE1-810  | SPRING, CABLE RETURN .....    | 1         | -   | -   | -   | -----      | VEK                  |
| 8        | 90013-883-000  | BOLT, FLANGE, 6X12(CT200) ... | 2         | -   | -   | -   | -----      | VEK                  |
| 9        | 90015-ZE5-010  | BOLT, GOVERNOR ARM .....      | 1         | -   | -   | -   | -----      | VEK                  |
| 10       | 93500-05028-0A | SCREW, PAN, 5X28 .....        | 1         | -   | -   | -   | -----      | VEK                  |
| 11       | 94050-06000    | NUT, FLANGE, 6MM .....        | 1         | -   | -   | -   | -----      | VEK                  |



| Ref. No. | L.O.N. | (Relative ref. Number)<br>Description                     | F.R.T. |
|----------|--------|---|--------|
| 1        |        | (2)   |        |
| 1101B2   |        | COVER, CHAIN CASE AND/OR<br>PACKING, CHAIN CASE COVER ... | 0.2    |
| 3        | 2141C3 | CHAIN, POWER TAKE OFF DRIVE ..                            | 0.3    |
| 4        | 2141J8 | SPROCKET, DRIVE .....                                     | 0.2    |
| 5        | 2141H4 | SHAFT, POWER TAKE OFF .....                               | 0.3    |
| 10       | 2141F2 | OIL SEAL, POWER TAKE OFF SHAFT                            | 0.2    |
| 13       | 2141A8 | BEARING, POWER TAKE OFF SHAFT                             | 0.3    |

| Ref. No. | Part No.      | Description                               | Reqd. QTY |     |     |     | Serial No. | Parts catalogue code   |
|----------|---------------|---|-----------|-----|-----|-----|------------|--|
|          |               |   | (1)       | (2) | (3) | (4) |            |  |
| 1        | 11500-ZE1-610 | COVER ASSY., CHAIN CASE .....             | 1         | 1   | -   | -   | 4222009    | DS,KRT,KRT4,KRT6,LAJ4,LD,LH,LHQ4,LJ,LJC,LJD2,LJS,LSJ,LSJ4,LTJ<br>LTK1,LTR,LX,LXU,LX2,LX4,L1  |
|          | 11500-ZE1-611 | .....                                     | 1         | -   | -   | -   | 4222010    | LDB1,LDB3,LD4,LE,LEH4,LJT,LTA,LW2,LX26<br>DS,KRT,KRT4,KRT6,LAJ4,LD,LH,LHQ4,LJ,LJC,LJD2,LJS,LSJ,LSJ4,LTJ<br>LTK1,LTR,LX,LXU,LX2,LX4,L1  |
| 2        | 11521-ZE1-610 | PACKING, CHAIN CASE .....                 | 1         | (1) | -   | -   | 2272434    | LTS<br>DS,H1,LJ,LTA,LW2,Q1,R1,U1,V1,W1   |
|          | 11521-ZH8-800 | PACKING, CHAIN CASE COVER ...             | 1         | (1) | -   | -   |            | KRT,KRT4,LAJ4,LD,LDB1,LDB3,LD4,LE,LEH4,LH,LHQ4,LJC,LJD2,LJS<br>LJT,LSJ,LSJ4,LTJ,LTK1,LTR,LTS,LX,LXU,LX2,LX26,LX4,L1                    |
|          | 11521-ZK7-W20 | .....                                     | 1         | (1) | -   | -   | 2272435    | DS,H1,LJ,LTA,LW2,Q1,R1,U1,V1,W1  |
| 3        | 14411-ZE0-611 | CHAIN, P.T.O. DRIVE<br>(DID270S-DHA-36LE) | 1         | -   | -   | -   |            | KRT6   |
|          | 14411-ZH7-V91 | CHAIN, P.T.O. DRIVE<br>(DID270FH DHA-3)   | 1         | -   | -   | -   |            | DS,LAJ4,LD,LDB1,LDB3,LD4,LE,LEH4,LH,LHQ4,LJ,LJC,LJD2,LJS,LJT<br>LSJ,LSJ4,LTJ,LTK1,LTR,LTS,LW2,LX,LXU,LX2,LX26,LX4,L1                   |
| 4        | 23110-ZE0-610 | SPROCKET, DRIVE (14T) .....               | 1         | 1   | -   | -   |            | KRT,KRT4,KRT6,LTA  |
|          | 23110-ZH7-V90 | .....                                     | 1         | -   | -   | -   |            | DS,LAJ4,LD,LDB1,LDB3,LD4,LE,LEH4,LH,LHQ4,LJ,LJC,LJD2,LJS,LJT<br>LSJ,LSJ4,LTJ,LTK1,LTR,LTS,LW2,LX,LXU,LX2,LX26,LX4,L1                   |
| 5        | 23710-ZE0-613 | SHAFT, P.T.O. ....                        | 1         | 1   | -   | -   |            | KRT,KRT4,KRT6,LAJ4,LD,LDB1,LDB3,LD4,LE,LEH4,LH,LHQ4,LJ,LJC<br>LJD2,LJS,LJT,LSJ,LSJ4,LTA,LTJ,LTK1,LTR,LTS,LW2,LX,LXU,LX2,LX26<br>LX4,L1 |
|          | 23710-ZE0-903 | .....                                     | 1         | -   | -   | -   |            | DS   |
| 6        | 90015-883-000 | BOLT, FLANGE, 6X28 .....                  | 5         | 5   | -   | -   |            | DS,KRT,KRT4,LAJ4,LD,LDB1,LDB3,LD4,LE,LEH4,LH,LHQ4,LJ,LJC,LJD2<br>LJS,LJT,LSJ,LSJ4,LTA,LTJ,LTK1,LTR,LTS,LW2,LX,LXU,LX2,LX26,LX4<br>L1   |
|          | 90003-ZK7-W20 | .....                                     | 5         | -   | -   | -   |            | KRT6   |



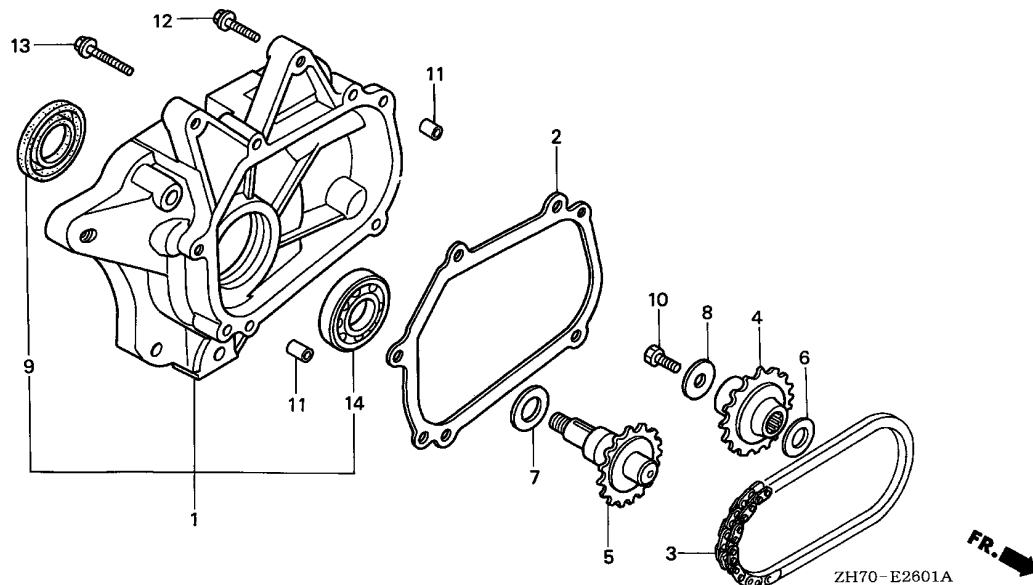


| Ref. No. | Part No.       | Description                   | Reqd. QTY |     |     |     | Serial No.   | Parts catalogue code |
|----------|----------------|-------------------------------|-----------|-----|-----|-----|--|----------------------|
|          |                |                               | (1)       | (2) | (3) | (4) |  |                      |
| 7        | 90456-ZE1-000  | SPRING, THRUST .....          | 1         | 1   | -   | -   | DS,KRT,KRT4,KRT6,LAJ4,LD,LDB1,LDB3,LD4,LE,LEH4,LH,LHQ4,LJ,LJC,LJD2,LJS,LJT,LSJ,LSJ4,LTA,LTJ, LTK1,LTR,LTS,LW2,LX,LXU,LX2,LX26,LX4,L1 |                      |
| 8        | 90471-ZE1-610  | WASHER, 8MM .....             | 1         | 1   | -   | -   | DS,KRT,KRT4,KRT6,LAJ4,LD,LDB1,LDB3,LD4,LE,LEH4,LH,LHQ4,LJ,LJC,LJD2,LJS,LJT,LSJ,LSJ4,LTA,LTJ, LTK1,LTR,LTS,LW2,LX,LXU,LX2,LX26,LX4,L1 |                      |
| 9        | 90741-883-810  | KEY, 5X5X33(YELLOW) .....     | 1         | (1) | -   | -   | KRT,KRT4,KRT6,LAJ4,LD,LDB1,LDB3,LD4,LE,LEH4,LH,LHQ4,LJ,LJC,LJD2,LJS,LJT,LSJ,LSJ4,LTA,LTJ, LTK1,LTR,LW2,LX,LXU,LX2,LX26,LX4,L1        |                      |
| 10       | 91202-883-005  | OIL SEAL, 25X41X6 .....       | 1         | 1   | -   | -   | 4222009 DS,KRT,KRT4,KRT6,LAJ4,LD,LH,LHQ4,LJ,LJC,LJD2,LJS,LSJ,LSJ4,LTJ,LTK1,LTR,LX,LXU,LX2,LX4,L1                                     |                      |
|          | 91201-Z0T-801  | .....                         | 1         | -   | -   | -   | LDB1,LDB3,LD4,LE,LEH4,LJT,LTA,LW2,LX26   |                      |
|          |                | .....                         | 1         | 1   | -   | -   | 4222010 DS,KRT,KRT4,KRT6,LAJ4,LD,LH,LHQ4,LJ,LJC,LJD2,LJS,LSJ,LSJ4,LTJ,LTK1,LTR,LX,LXU,LX2,LX4,L1                                     |                      |
|          |                | .....                         | 1         | -   | -   | -   | LTS  |                      |
| 11       | 92000-08025-0A | BOLT, HEX., 8X25 .....        | 1         | 1   | -   | -   | DS,LD,LE,LH,LJ,LW2,LX,LXU,L1   |                      |
|          | 92101-08025-0A | .....                         | 1         | -   | -   | -   | KRT,KRT4,KRT6,LAJ4,LDB1,LDB3,LD4,LEH4,LHQ4,LJC,LJD2,LJS,LJT,LSJ,LSJ4,LTA,LTJ,LTK1,LTR,LTS,LX2,LX26,LX4                               |                      |
| 12       | 94301-08140    | DOWEL PIN, 8X14 .....         | 2         | 2   | -   | -   | DS,KRT,KRT4,KRT6,LAJ4,LD,LDB1,LDB3,LD4,LE,LEH4,LH,LHQ4,LJ,LJC,LJD2,LJS,LJT,LSJ,LSJ4,LTA,LTJ, LTK1,LTR,LTS,LW2,LX,LXU,LX2,LX26,LX4,L1 |                      |
| 13       | 96100-62050-00 | BEARING, RADIAL BALL, 6205 .. | 1         | 1   | -   | -   | DS,KRT,KRT4,KRT6,LAJ4,LD,LDB1,LDB3,LD4,LE,LEH4,LH,LHQ4,LJ,LJC,LJD2,LJS,LJT,LSJ,LSJ4,LTA,LTJ, LTK1,LTR,LTS,LW2,LX,LXU,LX2,LX26,LX4,L1 |                      |

E-26-1

REDUCTION(1/2)

M 5



| Ref. No. | L.O.N. | (Relative ref. Number) Description                     | F.R.T. |
|----------|--------|--|--------|
| 1        |        | (2)  |        |
|          | 1101B2 | COVER, CHAIN CASE AND/OR PACKING, CHAIN CASE COVER ... | 0.2    |
| 3        | 2141C3 | CHAIN, POWER TAKE OFF DRIVE ..                         | 0.3    |
| 4        | 2141J8 | SPROCKET, DRIVE .....                                  | 0.2    |
| 5        | 2141H4 | SHAFT, POWER TAKE OFF .....                            | 0.3    |
| 9        | 2141F2 | OIL SEAL, POWER TAKE OFF SHAFT                         | 0.2    |
| 14       | 2141A8 | BEARING, POWER TAKE OFF SHAFT                          | 0.3    |

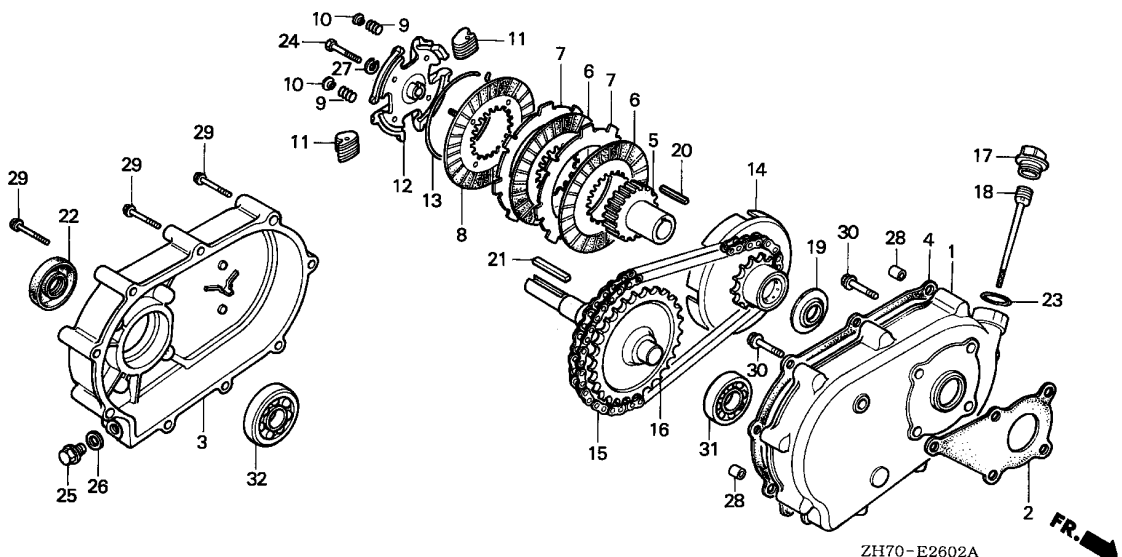
| Ref. No. | Part No.       | Description                   | Reqd. QTY |     |     |     | Serial No.               | Parts catalogue code |
|----------|----------------|-------------------------------|-----------|-----|-----|-----|--------------------------|----------------------|
|          |                |                               | (1)       | (2) | (3) | (4) |                          |                      |
|          |                |                               | GX120K1   |     |     |     |                          |                      |
| 1        | 11500-ZK7-V00  | COVER ASSY., CHAIN CASE ..... | 1         | -   | -   | -   | AR,DKR,KR,KRA4,KRF4,KRS4 |                      |
| 2        | 11521-ZK7-V00  | PACKING, CHAIN CASE COVER ... | 1         | -   | -   | -   | AR,DKR,KR,KRA4,KRF4,KRS4 |                      |
| 3        | 14411-ZK7-V01  | CHAIN, P.T.O. DRIVE .....     | 1         | -   | -   | -   | AR,DKR,KR,KRA4,KRF4,KRS4 |                      |
| 4        | 23121-ZK7-V00  | SPROCKET, DRIVE (17T) .....   | 1         | -   | -   | -   | AR,DKR,KR,KRA4,KRF4,KRS4 |                      |
| 5        | 23151-ZK7-V00  | SHAFT, P.T.O. ....            | 1         | -   | -   | -   | AR,DKR,KR,KRA4,KRF4,KRS4 |                      |
| 6        | 90454-428-000  | WASHER, THRUST, 20X1.00 ..... | 1         | -   | -   | -   | AR,DKR,KR,KRA4,KRF4,KRS4 |                      |
| 7        | 90456-ZE1-000  | SPRING, THRUST .....          | 1         | -   | -   | -   | AR,DKR,KR,KRA4,KRF4,KRS4 |                      |
| 8        | 90471-ZE1-610  | WASHER, 8MM .....             | 1         | -   | -   | -   | AR,DKR,KR,KRA4,KRF4,KRS4 |                      |
| 9        | 91252-888-003  | OIL SEAL, 25X38X7(ARAI) ..... | 1         | -   | -   | -   | AR,DKR,KR,KRA4,KRF4,KRS4 |                      |
| 10       | 92101-08025-0A | BOLT, HEX., 8X25 .....        | 1         | -   | -   | -   | AR,DKR,KR,KRA4,KRF4,KRS4 |                      |
| 11       | 94303-08140    | DOWEL PIN, 8X14 .....         | 2         | -   | -   | -   | AR,DKR,KR,KRA4,KRF4,KRS4 |                      |
| 12       | 95701-08035-00 | BOLT, FLANGE, 8X35 .....      | 4         | -   | -   | -   | AR,DKR,KR,KRA4,KRF4,KRS4 |                      |
| 13       | 95701-08055-00 | BOLT, FLANGE, 8X55 .....      | 1         | -   | -   | -   | AR,DKR,KR,KRA4,KRF4,KRS4 |                      |
| 14       | 96100-60050-00 | BEARING, RADIAL BALL, 6005 .. | 1         | -   | -   | -   | AR,DKR,KR,KRA4,KRF4,KRS4 |                      |

2

E-26-2

REDUCTION(1/2)(WITH CLUTCH)

M 6

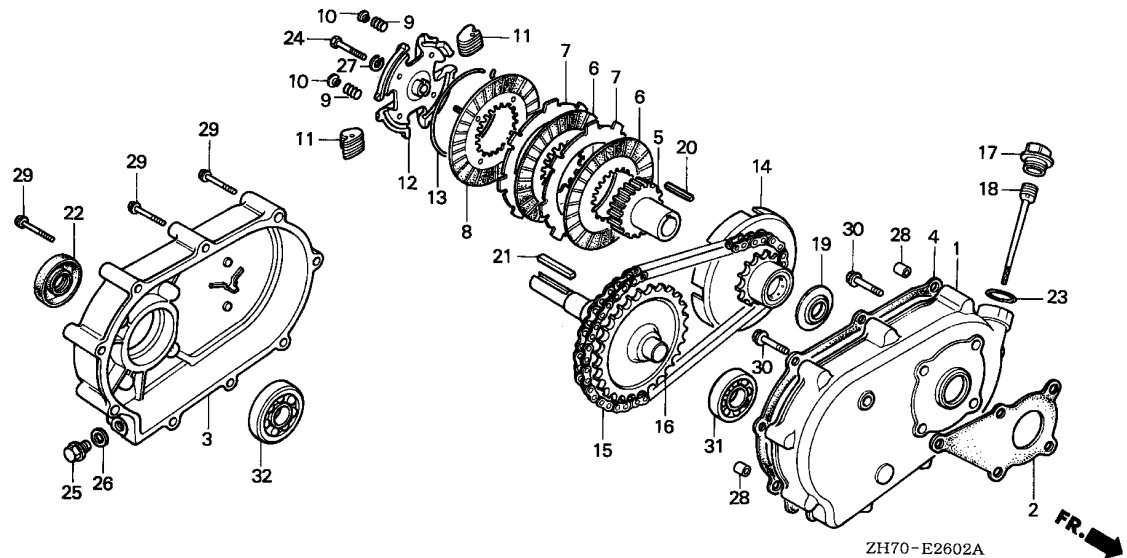


| Ref. No. | L.O.N. | (Relative ref. Number) Description                    | F.R.T. |
|----------|--------|---|--------|
| 1        |        | (2,4)   |        |
| 1        | 2141C1 | CASE, REDUCTION .....                                 | 0.3    |
| 3        | 2141D0 | COVER, REDUCTION AND/OR PACKING, REDUCTION COVER .... | 0.3    |
| 6        |        | (7)   |        |
| 6        | 2101G4 | DISC, CLUTCH FRICTION .....                           | 0.3    |
| 8        | 2101U7 | PLATE, CLUTCH PRESSURE .....                          | 0.3    |
| 16       | 2141H4 | SHAFT, POWER TAKE OFF .....                           | 0.3    |
| 22       | 2141L3 | OIL SEAL, POWER TAKE OFF SHAFT (A) .....              | 0.3    |
| 31       | 2141A7 | BEARING, POWER TAKE OFF SHAFT :FRONT .....            | 0.4    |
| 32       | 2141L0 | BEARING, POWER TAKE OFF SHAFT :REAR .....             | 0.4    |

ZH70-E2602A

| Ref. No. | Part No.      | Description                        | Reqd. QTY |     |     |     | Serial No.                          | Parts catalogue code |
|----------|---------------|------------------------------------|-----------|-----|-----|-----|-------------------------------------|----------------------|
|          |               |                                    | (1)       | (2) | (3) | (4) |                                     |                      |
|          |               |                                    | GX120K1   |     |     |     |                                     |                      |
| 1        | 21510-883-621 | CASE, REDUCTION .....              | 1         | 1   | -   | -   | RD, RD4, RH, RHC, RHQ4, RX, RX4, R1 |                      |
| 2        | 21591-ZH8-620 | PACKING, REDUCTION CASE .....      | 1         | 1   | -   | -   | RD, RD4, RH, RHC, RHQ4, RX, RX4, R1 |                      |
| 3        | 21610-822-611 | COVER, REDUCTION .....             | 1         | 1   | -   | -   | RD, RD4, RH, RHC, RHQ4, RX, RX4, R1 |                      |
| 4        | 21691-ZH8-800 | PACKING, REDUCTION COVER .....     | 1         | 1   | -   | -   | RD, RD4, RH, RHC, RHQ4, RX, RX4, R1 |                      |
| 5        | 22121-887-620 | CENTER, CLUTCH .....               | 1         | 1   | -   | -   | RD, RD4, RH, RHC, RHQ4, RX, RX4, R1 |                      |
| 6        | 22201-822-610 | DISK, CLUTCH FRICTION .....        | 2         | 2   | -   | -   | RD, RD4, RH, RHC, RHQ4, RX, RX4, R1 |                      |
| 7        | 22311-822-610 | PLATE, CLUTCH .....                | 2         | 2   | -   | -   | RD, RD4, RH, RHC, RHQ4, RX, RX4, R1 |                      |
| 8        | 22350-822-610 | PLATE COMP., CLUTCH PRESSURE ..... | 1         | 1   | -   | -   | RD, RD4, RH, RHC, RHQ4, RX, RX4, R1 |                      |
| 9        | 22411-822-611 | SPRING, CLUTCH FREE .....          | 4         | 4   | -   | -   | RD, RD4, RH, RHC, RHQ4, RX, RX4, R1 |                      |
| 10       | 22421-822-610 | HOLDER, CLUTCH SPRING .....        | 4         | 4   | -   | -   | RD, RD4, RH, RHC, RHQ4, RX, RX4, R1 |                      |
| 11       | 22521-822-610 | WEIGHT, CLUTCH .....               | 48        | 48  | -   | -   | RD, RD4, RH, RHC, RHQ4, RX, RX4, R1 |                      |
| 12       | 22531-887-620 | HOLDER, CLUTCH WEIGHT .....        | 1         | 1   | -   | -   | RD, RD4, RH, RHC, RHQ4, RX, RX4, R1 |                      |
| 13       | 22535-822-610 | CENTER, CLUTCH WEIGHT .....        | 1         | 1   | -   | -   | RD, RD4, RH, RHC, RHQ4, RX, RX4, R1 |                      |
| 14       | 23120-883-620 | SPROCKET COMP., DRIVE .....        | 1         | 1   | -   | -   | RD, RD4, RH, RHC, RHQ4, RX, RX4, R1 |                      |
| 15       | 23161-822-610 | CHAIN, DRIVE .....                 | 1         | 1   | -   | -   | 2174980 RD, RH, RX, R1              |                      |
|          | 23161-822-611 | CHAIN, DRIVE (RK428SH-36LE) .....  | 1         | 1   | -   | -   | 2174981 RD, RH, RX, R1              |                      |
|          |               |                                    | 1         | -   | -   | -   | RD4, RHC, RHQ4, RX4                 |                      |
| 16       | 23711-822-610 | SHAFT COMP., P.T.O. (28T) ...      | 1         | 1   | -   | -   | RD, RD4, RH, RHC, RHQ4, RX, RX4, R1 |                      |
| 17       | 25620-805-611 | CAP, REDUCTION OIL (BLACK) ..      | 1         | 1   | -   | -   | RD, RD4, RH, RHC, RHQ4, RX, RX4, R1 |                      |
|          | 25620-805-612 | CAP, REDUCTION OIL (GRAY) ...      | 1         | 1   | -   | -   | RD, RD4, RHC, RHQ4, RX, RX4, R1     |                      |
| 18       | 25651-883-621 | GAUGE, OIL LEVEL .....             | 1         | 1   | -   | -   | RD, RD4, RH, RHC, RHQ4, RX, RX4, R1 |                      |
| 19       | 90403-887-620 | WASHER, THRUST, 18MM .....         | 1         | 1   | -   | -   | RD, RD4, RH, RHC, RHQ4, RX, RX4, R1 |                      |
| 20       | 90741-883-621 | KEY, 5MM .....                     | 1         | 1   | -   | -   | RD, RD4, RH, RHC, RHQ4, RX, RX4, R1 |                      |
| 21       | 90741-889-810 | KEY, 7X7X33(YELLOW) .....          | 1         | 1   | -   | -   | RD, RD4, RH, RHC, RHQ4, RX, RX4, R1 |                      |
| 22       | 91202-805-610 | OIL SEAL (PJ30507) .....           | 1         | 1   | -   | -   | RD, RD4, RH, RHC, RHQ4, RX, RX4, R1 |                      |

2



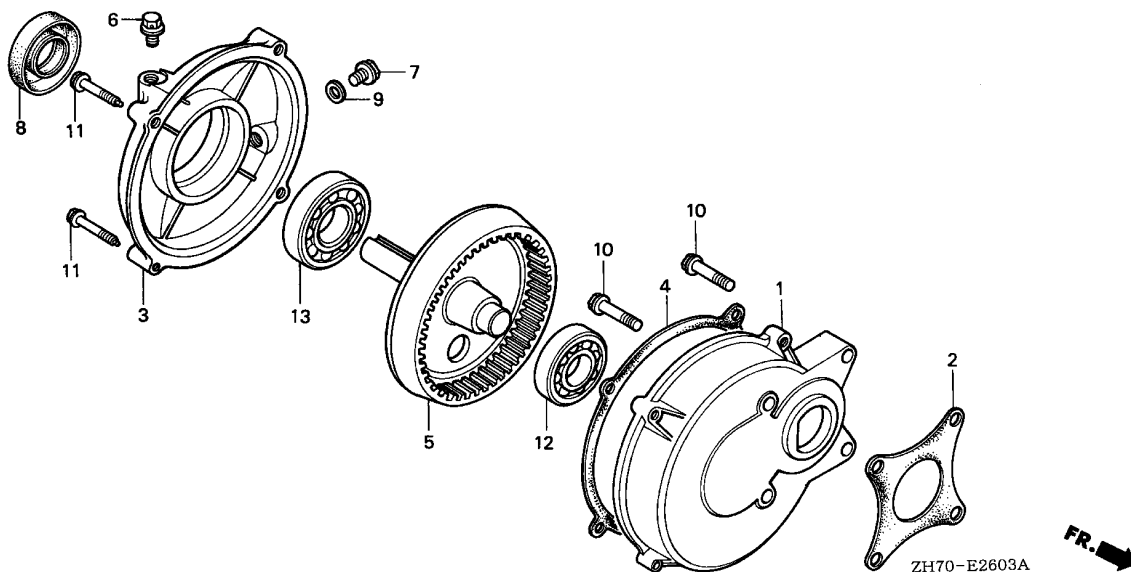
| Ref. No. | Part No.       | Description                | Reqd. QTY |     |     |     | Serial No.                          | Parts catalogue code |
|----------|----------------|----------------------------|-----------|-----|-----|-----|-------------------------------------|----------------------|
|          |                |                            | (1)       | (2) | (3) | (4) |                                     |                      |
| 23       | 91301-805-000  | O-RING, 26X2.7             | 1         | 1   | -   | -   | RD, RD4, RH, RHC, RHQ4, RX, RX4, R1 |                      |
| 24       | 92000-08035-0A | BOLT, HEX., 8X35           | 1         | 1   | -   | -   | RD, RH, RX, R1                      |                      |
|          | 92101-08035-0A |                            | 1         | -   | -   | -   | RD4, RHC, RHQ4, RX4                 |                      |
| 25       | 92800-12000    | BOLT, DRAIN PLUG, 12MM     | 1         | 1   | -   | -   | RD, RD4, RH, RHC, RHQ4, RX, RX4, R1 |                      |
| 26       | 94109-12000    | WASHER, DRAIN PLUG, 12MM   | 1         | 1   | -   | -   | RD, RD4, RH, RHC, RHQ4, RX, RX4, R1 |                      |
| 27       | 94111-08000    | WASHER, SPRING, 8MM        | 1         | 1   | -   | -   | RD, RD4, RH, RHC, RHQ4, RX, RX4, R1 |                      |
| 28       | 94301-08100    | DOWEL PIN, 8X10            | 2         | 2   | -   | -   | RD, RD4, RH, RHC, RHQ4, RX, RX4, R1 |                      |
| 29       | 95700-06055-00 | BOLT, FLANGE, 6X55         | 9         | 9   | -   | -   | RD, RH, RX, R1                      |                      |
|          | 95701-06055-00 |                            | 9         | -   | -   | -   | RD4, RHC, RHQ4, RX4                 |                      |
| 30       | 95700-08022-00 | BOLT, FLANGE, 8X22         | 5         | 5   | -   | -   | RD, RH, RX, R1                      |                      |
|          | 95701-08022-00 |                            | 5         | -   | -   | -   | RD4, RHC, RHQ4, RX4                 |                      |
| 31       | 96100-62050-00 | BEARING, RADIAL BALL, 6205 | 1         | 1   | -   | -   | RD, RD4, RH, RHC, RHQ4, RX, RX4, R1 |                      |
| 32       | 96100-62060-00 | BEARING, RADIAL BALL, 6206 | 1         | 1   | -   | -   | RD, RD4, RH, RHC, RHQ4, RX, RX4, R1 |                      |



E-26-3

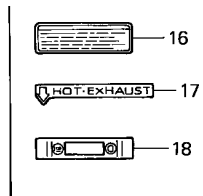
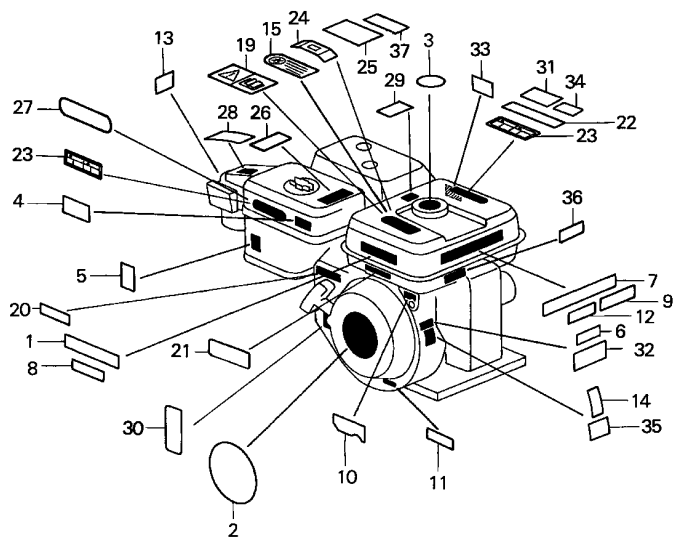
REDUCTION(1/6)

M 8



| Ref. No. | L.O.N. | (Relative ref. Number) Description                       | F.R.T. |
|----------|--------|--|--------|
| 1        |        | (2)  |        |
| 2141L8   |        | CASE, REDUCTION(A) .....                                 | 0.2    |
| 3        |        | (4)  |        |
| 2141L9   |        | COVER, REDUCTION AND/OR<br>PACKING, REDUCTION COVER(A) . | 0.2    |
| 5        | 2141M0 | SHAFT, POWER TAKE OFF(A) .....                           | 0.2    |
| 8        | 2141F2 | OIL SEAL, POWER TAKE OFF SHAFT                           | 0.2    |
| 12       | 2141L6 | BEARING, POWER TAKE OFF SHAFT<br>(A) :FRONT .....        | 0.3    |
| 13       | 2141L7 | BEARING, POWER TAKE OFF SHAFT<br>(A) :REAR .....         | 0.3    |

| Ref. No. | Part No.       | Description                    | Reqd. QTY |     |     |     | Serial No.                                  | Parts catalogue code |
|----------|----------------|--------------------------------|-----------|-----|-----|-----|---|----------------------|
|          |                |                                | (1)       | (2) | (3) | (4) |   |                      |
| 1        | 21521-883-741  | CASE, REDUCTION .....          | 1         | 1   | -   | -   | HH,HHQ4,HTF2,HT2,HX,HXQ,HXU,HX2,HX26,HX4,H1 |                      |
| 2        | 21591-ZH8-740  | PACKING, REDUCTION CASE .....  | 1         | 1   | -   | -   | HH,HHQ4,HTF2,HT2,HX,HXQ,HXU,HX2,HX26,HX4,H1 |                      |
| 3        | 21621-883-741  | COVER, REDUCTION .....         | 1         | 1   | -   | -   | Q1,R1,U1,V1,W1                              |                      |
| 4        | 21692-ZH8-800  | PACKING, REDUCTION COVER ..... | 1         | 1   | -   | -   | HH,HHQ4,HTF2,HT2,HX,HXQ,HXU,HX2,HX26,HX4,H1 |                      |
| 5        | 23710-883-740  | SHAFT, P.T.O. ....             | 1         | 1   | -   | -   | Q1,R1,U1,V1,W1                              |                      |
| 6        | 90002-883-740  | BOLT, BREATHING .....          | 1         | 1   | -   | -   | HH,HHQ4,HTF2,HT2,HX,HXQ,HXU,HX2,HX26,HX4,H1 |                      |
| 7        | 90131-883-000  | BOLT, DRAIN PLUG, 12X15 .....  | 1         | 1   | -   | -   | HH,HHQ4,HTF2,HT2,HX,HXQ,HXU,HX2,HX26,HX4,H1 |                      |
| 8        | 91202-883-005  | OIL SEAL, 25X41X6 .....        | 1         | 1   | -   | -   | HH,HHQ4,HTF2,HT2,HX,HXQ,HXU,HX2,HX26,HX4,H1 |                      |
| 9        | 94109-12000    | WASHER, DRAIN PLUG, 12MM ..... | 1         | 1   | -   | -   | HH,HHQ4,HTF2,HT2,HX,HXQ,HXU,HX2,HX26,HX4,H1 |                      |
| 10       | 95700-08032-08 | BOLT, FLANGE, 8X32 .....       | 4         | 4   | -   | -   | HH,HX,HXU,H1                                |                      |
|          | 95701-08032-08 | .....                          | 4         | -   | -   | -   | HHQ4,HTF2,HT2,HXQ,HX2,HX26,HX4              |                      |
| 11       | 95700-08035-00 | BOLT, FLANGE, 8X35 .....       | 4         | 4   | -   | -   | HH,HX,HXU,H1                                |                      |
|          | 95701-08035-00 | .....                          | 4         | -   | -   | -   | HHQ4,HTF2,HT2,HXQ,HX2,HX26,HX4              |                      |
| 12       | 96100-62040-00 | BEARING, RADIAL BALL, 6204 ..  | 1         | 1   | -   | -   | HH,HHQ4,HTF2,HT2,HX,HXQ,HXU,HX2,HX26,HX4,H1 |                      |
| 13       | 96100-63050-00 | BEARING, RADIAL BALL, 6305 ..  | 1         | 1   | -   | -   | HH,HHQ4,HTF2,HT2,HX,HXQ,HXU,HX2,HX26,HX4,H1 |                      |



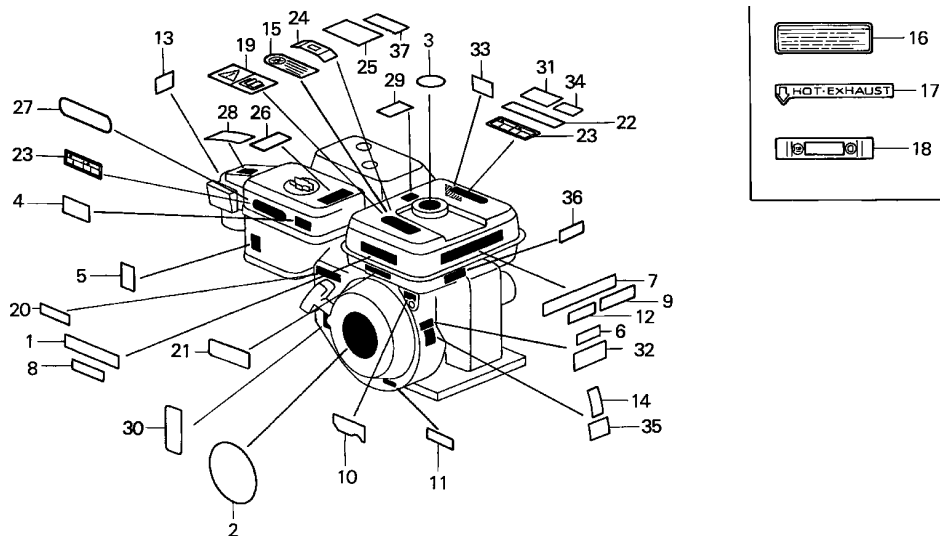
ZH70-E2800C

Ref. L.O.N. (Relative ref. Number) F.R.T.  
No. Description

NO INFORMATION .....

| Ref. No. | Part No.      | Description                      | Reqd. QTY |     |     |     | Serial No.   | Parts catalogue code |
|----------|---------------|----------------------------------|-----------|-----|-----|-----|--|----------------------|
|          |               |                                  | (1)       | (2) | (3) | (4) |  |                      |
| 1        | 87101-733-000 | MARK, TOP .....                  | 1         | -   | 1   | -   | DS, HX, LD, LJ, LX, PH, PX, QD, QSJ, QX, RD, RX, SD, SJ, SMJ, SN, STS, SX, TH, UH, UIH, UX, VET, VH, VX, WIH1, WJ  |                      |
|          | 87516-733-C20 | LABEL, OPERATOR WARNING (FRENCH) | -         | (1) | -   | -   | 2476407 QEH  |                      |
|          | 87522-ZH9-000 | LABEL, CAUTION .....             | 1         | (1) | -   | -   | HH, HXQ, H1, LDB1, LDB3, LE, LW2, L1, PM2, QAA2, QA26, QBU2, QH2, QMH, QXC, QXG, QXQ, QXS, RH, R1, SAD2, SDB1, SDB3, SSK1, SSK2, SW2, S1, U1, VA, VH, VS, VS1, V1, WJ, W1  |                      |
|          |               |                                  | 1         | -   | -   | -   | 2476407 QE, QLL, QPU, SE, VEX  |                      |
|          |               |                                  | 1         | -   | -   | -   | 3070123 LJD2   |                      |
|          | 87522-ZH9-820 | LABEL, CAUTION (THAI) .....      | 1         | -   | 1   | -   | QIH1, QT   |                      |
|          |               |                                  | -         | (1) | -   | -   |  |                      |
|          | 87525-ZH7-000 | EMBLEM, UPPER (INTERNAL) .....   | -         | (1) | -   | -   |  |                      |
|          | 87525-ZH7-810 | EMBLEM, UPPER (EXTERNAL) .....   | -         | (1) | -   | -   |  |                      |
|          | 87528-ZE0-900 | MARK, ENGINE OPERATION (J) ..    | 1         | -   | -   | -   | STP  |                      |
|          |               |                                  | 1         | -   | -   | -   | 2119400 STS  |                      |
|          | 87522-ZH9-010 | LABEL, CAUTION .....             | 1         | (1) | -   | -   | AR, HTF2, HT2, HX, HXU, HX2, HX26, KRS4, LD, LH, LX, LXU, LX2, LX26, PH, PM, PX, PX2, QA, QA2, QD, QH, QH26, QJG2, QM, QMX2, QTC2, QWA4, QX, QXC9, QXG2, QXS2, QXU, QX2, QX26, Q1, RD, RX, SD, SD16, SG24, SH, SMW2, SM12, SSS2, SWX2, SX, SXS4, TH, TX, TX2, TX26, UH, UX, UXU, VED, VED1, VED6, VSX, VSX1, VX, VXU, WDA6, WD12, WKD6, WKT2, WKT6, WME2 |                      |
| 2        | 87521-770-880 | PLATE, EMBLEM .....              | 1         | -   | -   | -   | LEH4, QEH  |                      |
|          | 87521-ZH7-000 | EMBLEM (INTERNAL) .....          | 1         | -   | -   | -   | 2185869 DS, LJ, QSJ, SJ, SMJ, STS, VET, WJ   |                      |
|          |               |                                  | -         | (1) | -   | -   | 2185869  |                      |





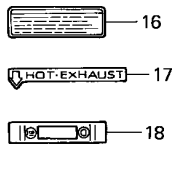
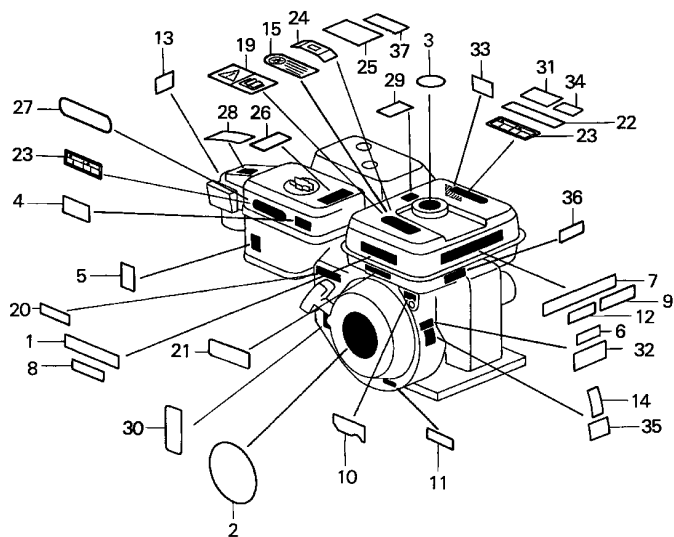
ZH70-E2800C



| Ref. No. | Part No.      | Description             | Reqd. QTY |     |     |         | Serial No.   | Parts catalogue code  |  |
|----------|---------------|-------------------------|-----------|-----|-----|---------|--|---|--|
|          |               |                         | (1)       | (2) | (3) | (4)     |  |   |  |
| (2)      | 87521-ZH7-010 | EMBLEM .....            | 1         | (1) | -   | -       | 2185870  | EN,ET,ETX,HH,LE,LW2,L1,PM2,QE,QSJ,QXC,QXG,QXS,RH,SW2,U1,VA,VH VS,V1,W1  |  |
|          |               |                         | 1         | (1) | -   | -       | 2185870  | 3841370 DS,HX,H1,LD,LH,LJ,LX,PH,PM,PX,QA,QD,QH,QM,QX,Q1,RD,RX,R1,SD,SE SH,SJ,SMJ,STS,SX,S1,TH,TX,UH,UX,VED,VED1,VET,VSX,VX,WJ |  |
|          |               |                         | 1         | -   | 1   | -       | -  | -   | HXQ,LDB1,LDB3,LD4,LJT,LTA,QAA2,QA26,QBU2,QH2,QJW1,QMH,QPU,QXQ SAD2,SDB1,SDB3,SSK1,SSK2,UIH,VAX4,VS1,WDJ,WJ1  |
|          |               |                         | 1         | -   | -   | -       | -  | 3841370   | AR,DKR,HHQ4,HTF2,HXU,HX2,HX26,HX4,KR,KRA4,KRT,KRT4,KRT6,LAJ4 LHQ4,LJC,LJS,LSJ,LSJ4,LTJ,LTK1,LTR,LXU,LX2,LX26,LX4,PX2,QA2 QHQ4,QH26,QJG2,QLL,QMA4,QMA8,QME4,QMX2,QTC2,QWA4,QXC9,QXG2 QXS2,QXU,QX2,QX26,QX4,RD4,RHC,RHQ4,RX4,SAJ,SAJ4,SCJ,SD16,SD4 SG24,SHQ4,SJC,SJC1,SJC5,SKJ,SKR,SMA7,SMW2,SSK3,SSX2,SSX4,STP SWX2,SWX4,SXS4,SX4,TX2,TX26,TX4,UXU,VED6,VEE1,VEX,VMS4,VMT VPR4,VSX1,VXU,VX4,WDA6,WD12,WJP,WKD6,WKT2,WKT4,WMA3,WME2,WME4 WM1 |
|          | 87521-ZH7-810 | EMBLEM (EXTERNAL) ..... | 1         | -   | -   | 2185870 | 2185869 EN,ET,ETX,HH,HX,LD,LE,LH,LW2,LX,PH,PM,PM2,PX,QA,QD,QE,QH,QM,QX QXC,QXG,QXS,RD,RH,RX,SD,SE,SH,SW2,SX,TH,TX,UH,UX,VA,VED,VED1 VH,VS,VSX,VX |   |  |
|          | 87521-ZH7-830 | EMBLEM (THAI) .....     | -         | (1) | -   | 1       | 2185869  | 2185869 QT  |  |
|          | 87521-ZH7-831 | .....                   | -         | (1) | -   | -       | 2185869  | 2185869 QT  |  |
|          | 87521-ZH7-831 | .....                   | 1         | -   | -   | -       | 2185870  | 3463997 QT  |  |
|          | 87521-ZH7-831 | .....                   | -         | (1) | -   | -       | 2185870  | 2185870 QT  |  |
|          | 87521-ZH7-Y10 | EMBLEM .....            | 1         | -   | 1   | -       | 3463998  | 4142273 QT  |  |

| Ref. No. | Part No.      | Description   | Reqd. QTY |                |     |     | Serial No.      | Parts catalogue code  |
|----------|---------------|---|-----------|----------------|-----|-----|-----------------|---|
|          |               |   | (1)       | GX120K1<br>(2) | (3) | (4) |                 |   |
| (2)      | 87521-ZH7-020 | EMBLEM .....  | 1         | 1              | -   | -   | 3841371 4142243 | AR,DKR,DS,HHQ4,HTF2,HX,HXU,HX2,HX26,HX4,H1,KR,KRA4,KRT,KRT4<br>KRT6,LAJ4,LD,LH,LHQ4,LJ,LJC,LJS,LSJ,LSJ4,LTJ,LTK1,LTR,LX,LXU<br>LX2,LX26,LX4,PH,PM,PX,PX2,QA,QA2,QD,QH,QHQ4,QH26,QJG2,QLL,QM<br>QMA4,QMA8,QME4,QMX2,QTC2,QWA4,QX,QXC9,QXG2,QXS2,QXU,QX2,QX26<br>QX4,Q1,RD,RD4,RHC,RHQ4,RX,RX4,R1,SAJ,SAJ4,SCJ,SD,SD16,SD4,SE<br>SG24,SH,SHQ4,SJ,SJC,SJC1,SJC5,SKJ,SKR,SMA7,SMJ,SMW2,SSK3,SSX2<br>SSX4,STP,STS,SWX2,SWX4,SX,SXS4,SX4,S1,TH,TX,TX2,TX26,TX4,UH,UX<br>UXU,VED,VED1,VED6,VEE1,VET,VEX,VMS4,VMT,VPR4,VSX,VSX1,VX,VXU<br>VX4,WDA6,WD12,WJ,WJP,WKD6,WKT2,WKT4,WMA3,WME2,WME4,WM1  |
|          |               |   | 1         | -              | -   | -   | 4142243         | HT2,KRF4,KRS4,QX7,SM11,SM14,SX7,VEK,VEX7,VX7,WKT6   |
|          | 87521-ZH7-Y11 | .....   | -         | -              | 1   | -   | -----           | WIH1  |
|          | 87521-ZH7-030 | EMBLEM (4.0) .....                                    | 1         | 1              | -   | -   | 4142274         | QT  |
|          |               |   | 1         | 1              | -   | -   | 4142244         | AR,DKR,DS,HHQ4,HTF2,HT2,HX,HXU,HX2,HX26,HX4,H1,KR,KRA4,KRF4<br>KRS4,KRT,KRT4,KRT6,LAJ4,LD,LH,LHQ4,LJ,LJC,LJS,LSJ,LSJ4,LTJ<br>LTK1,LTR,LX,LXU,LX2,LX26,LX4,PH,PM,PX,PX2,QA,QA2,QD,QH,QHQ4<br>QH26,QJG2,QLL,QM,QMA4,QMA8,QME4,QMX2,QTC2,QWA4,QX,QXC9,QXG2<br>QXS2,QXU,QX2,QX26,QX4,QX7,Q1,RD,RD4,RHC,RHQ4,RX,RX4,R1,SAJ<br>SAJ4,SCJ,SD,SD16,SD4,SE,SG24,SH,SHQ4,SJ,SJC,SJC1,SJC5,SKJ,SKR<br>SMA7,SMJ,SMW2,SM11,SM14,SSK3,SSX2,SSX4,STP,STS,SWX2,SWX4,SX<br>SXS4,SX4,SX7,S1,TH,TX,TX2,TX26,TX4,UH,UX,UXU,VED,VED1,VED6<br>VEE1,VEK,VET,VEX,VEX7,VMS4,VMT,VPR4,VSX,VSX1,VX,VXU,VX4,VX7<br>WDA6,WD12,WJ,WJP,WKD6,WKT2,WKT4,WKT6,WMA3,WME2,WME4,WM1 |
| 3        | 87522-ZE1-010 | LABEL, FUEL WARNING .....                             | 1         | -              | -   | -   | -----           | LTS,SM12  |
|          |               |   | 1         | -              | -   | -   | -----           | LTJ   |
|          |               |   | 1         | -              | -   | -   | 2299911         | DS,EN,ET,ETX,LJ,QSJ,SJ,SKJ,SMJ,STS,VET,WJ   |
|          |               |   | 1         | -              | -   | -   | 2688781         | SAJ   |
|          | 87106-ZH8-S00 | MARK, FUEL CAUTION (SHJ) .....                        | -         | (1)            | -   | -   | 2299936         | H1,Q1,R1,U1,V1,W1   |
|          | 87522-ZE1-810 | MARK, CAUTION .....                                   | 1         | (1)            | -   | -   | 2421922         | UIH,WIH1<br>HX,HXQ,HX2,H1,LTJ,LX2,QA,QA2,QH2,QX,QXC,QXG,QXG2,QXQ,QXS,QXS2<br>QX2,Q1,R1,SCJ,TX,TX2,U1,V1,W1  |
|          |               |   | 1         | -              | 1   | -   | -----           | LDB1,LDB3,QIH1,SDB1,SDB3  |
|          |               |   | 1         | -              | -   | -   | 2400126         | HH,LD,LE,LH,LW2,LX,PH,PM,PM2,PX,QD,QE,QEH,QH,QLL,QM,QPU,QT,RD<br>RH,RX,SD,SE,SH,SN,SW2,SX,TH,UH,UX,VA,VED,VED1,VEX,VH,VS,VSX<br>VSX1,VS1,VX   |
|          |               |   | 1         | -              | -   | -   | 2299912         | 2400126 EN,ET,ETX   |
| 4        | 87524-883-690 | MARK, AIR CLEANER CAUTION<br>(OIL BATH)(ARABIC) ..... | 1         | -              | -   | -   | 2299912         | 2421922 DS,LJ,QSJ,SJ,SKJ,SMJ,STS,VET,WJ   |
|          |               |   | 1         | -              | 1   | -   | -----           | LW2,QIH1,QT   |
|          |               |   | -         | (1)            | -   | -   | -----           |   |
| 5        | 87528-ZB2-630 | MARK, CHOKE .....                                     | 1         | -              | -   | -   | -----           | VMT,VPR4  |
|          | 87528-ZE1-000 | .....   | 1         | -              | -   | -   | 2299911         | DS,LJ,LTA,QSJ,SJ,SKJ,SMJ,VET,WJ   |
|          |               |   | 1         | -              | -   | -   | 2413831         | LTJ   |
|          |               |   | -         | (1)            | -   | -   | 2299936         |   |
|          | 87528-ZE1-810 | .....   | 1         | -              | -   | -   | -----           | AR,EN,ET,ETX,HH,HTF2,HT2,HX,HXQ,HXU,HX2,HX26,KR,KRS4,KRT,KRT6<br>LD,LDB1,LDB3,LE,LH,LJC,LJS,LJT,LSJ,LTK1,LTR,LTS,LW2,LX,LXU,LX2<br>LX26,PH,PM,PM2,PX,PX2,QA,QAA2,QA2,QA26,QBU2,QD,QH,QH2,QH26<br>QJG2,QJW1,QM,QMH,QMX2,QTC2,QX,QXC,QXC9,QXG,QXG2,QXQ,QXS,QXS2<br>QXU,QX2,QX26,RD,RH,RX,SAB2,SAJ,SCJ,SD,SDB1,SDB3,SD16,SH,SJC<br>SJC1,SJC5,SKR,SMW2,SM11,SM12,SN,SSK1,SSK2,SSK3,SSX2,STP,SWX2<br>SW2,SX,TH,TX,TX2,TX26,UH,UX,UXU,VA,VED,VED1,VED6,VEE1,VH,VS<br>VSX,VSX1,VS1,VX,VXU,WDA6,WDJ,WD12,WJP,WJP1,WJ1,WKD6,WKT2,WKT6<br>WME2  |
|          |               |   | 1         | -              | -   | -   | 2299912         | DS,LJ,LTA,QSJ,SJ,SKJ,SMJ,VET,WJ   |
|          |               |   | 1         | -              | -   | -   | 2413832         | LTJ   |
|          |               |   | 1         | -              | -   | -   | 2476407         | QE,QLL,QPU,RHC,SE,VEX   |
|          |               |   | 1         | -              | -   | -   | 3418989         | LJD2  |
|          |               |   | -         | (1)            | -   | 1   |                 |   |



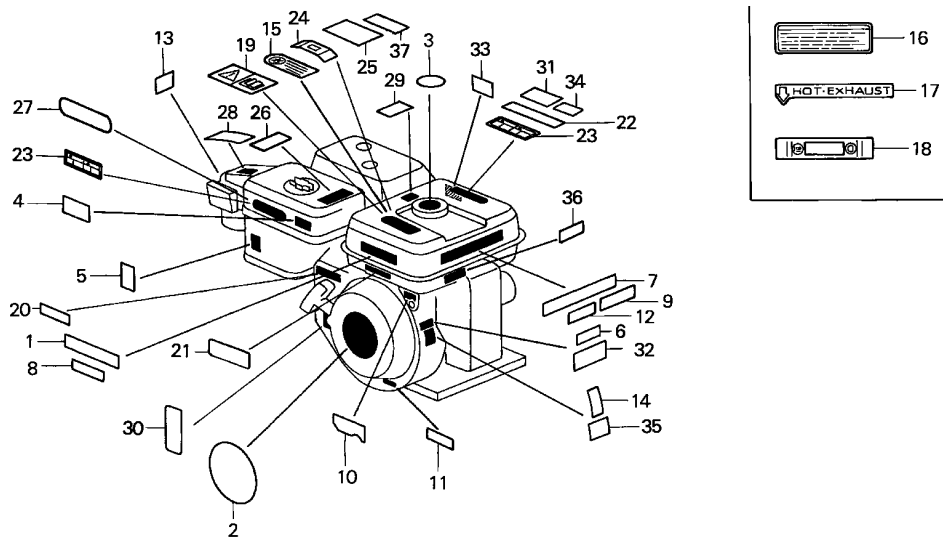


ZH70-E2800C

| Ref. No. | Part No.      | Description                            | Reqd. QTY |     |     |     | Serial No. | Parts catalogue code  |                            |
|----------|---------------|--|-----------|-----|-----|-----|------------|---|----------------------------|
|          |               |  | (1)       | (2) | (3) | (4) |            |   |                            |
| (5)      | 87528-ZE1-690 | MARK, CHOKE (THAI)                     | 1         | -   | 1   | -   | -----      | QIH1,QT   |                            |
|          | 87528-ZH8-S00 | MARK, CHOKE                            | -         | (1) | -   | -   | -----      | UIH,WIH1  |                            |
|          | 87528-733-E90 | MARK, CHOKE (H=36)                     | 1         | -   | -   | -   | -----      | HHQ4, HX4, KRA4, KRF4, KRS4, KRT4, LAJ4, LD4, LEH4, LHQ4, LSJ4, LX4, QEH, QHQ4, QMA4, QMA8, QWA4, QX4, QX7, RD4, RHQ4, RX4, SAJ4, SD4, SG24, SHQ4, SJD2, SMA7, SM14, SSX4, SWX4, SXS4, SX4, SX7, TX4, VAX4, VEX7, VMS4, VX4, VX7, WKT4, WMA3, WME4, WM1 |                            |
|          |               |  | 1         | -   | -   | -   | 2476408    | -----   | QE, QLL, QPU, RHC, SE, VEX |
|          |               |  | 1         | -   | -   | -   | 2923169    | -----   | DKR                        |
|          |               |  | 1         | -   | -   | -   | 3418990    | -----   | LJD2                       |
|          | 87528-777-000 | MARK, CHOKE                            | 1         | -   | -   | -   | -----      | VEK   |                            |
| 6        | 87150-ZH8-000 | MARK, CAUTION (JAPANESE)               | 1         | -   | -   | -   | -----      | WJ1   |                            |
|          | 87530-ZH7-810 | LABEL, SPECIFICATION (EXTERNAL)        | 1         | -   | -   | -   | 2299936    | EN, ET, ETX, HH, HX, LD, LE, LH, LW2, LX, PH, PM, PM2, PX, QA, QD, QE, QEH, QH, QM, QX, RD, RH, RX, SD, SE, SH, SW2, SX, TH, TX, UH, UX, VA, VED, VED1, VEX, VH, VS, VSX, VSX1, VS1, VX   |                            |
|          |               |  | -         | (1) | -   | -   | 2299936    | -----   |                            |
|          |               |  | -         | -   | -   | 1   | -----      |   |                            |
|          | 87530-ZH7-830 | LABEL, SPECIFICATION (THAI)            | 1         | -   | -   | -   | 2299936    | QT  |                            |
|          |               |  | -         | (1) | -   | -   | 2299936    | -----   |                            |
|          | 87530-ZH7-000 | LABEL, SPECIFICATION (INTERNAL)        | 1         | (1) | -   | -   | 4070274    | H1, L1, R1, SM11  |                            |
|          |               |  | -         | (1) | -   | -   | -----      | Q1, S1, U1, V1, W1  |                            |
|          | 87530-ZH7-820 | LABEL, SPECIFICATION (INTERNAL/L-TYPE) | -         | (1) | -   | -   | -----      |   |                            |
|          | 87530-ZH7-010 | LABEL, SPECIFICATION                   | 1         | (1) | -   | -   | 4070275    | H1, L1, R1, SM11  |                            |
| 7        | 87531-733-C30 | EMBLEM (HONDA 120)                     | 1         | -   | -   | -   | -----      | LEH4, QEH   |                            |

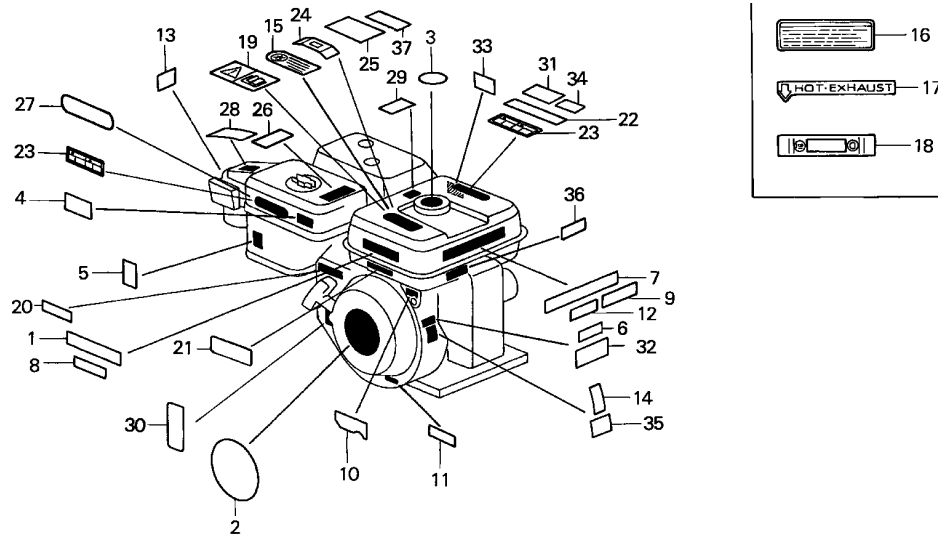
| Ref. No. | Part No.      | Description                               | Reqd. QTY |                |     |     | Serial No. | Parts catalogue code   |
|----------|---------------|---|-----------|----------------|-----|-----|------------|--|
|          |               |   | (1)       | GX120K1<br>(2) | (3) | (4) |            |  |
| 8        | 87520-ZH8-000 | MARK A, COMBINATION .....                 | 1         | (1)            | -   | -   | 2612209    | ----- DS,H1,LTA,LTJ,QSJ,R1,SCJ,SJ,SJC,SKJ,SMJ,SSK3,STP,STS,VET,WJ<br>WJP   |
|          |               |   | 1         | -              | -   | -   | -----      | ----- KRT,KRT6,LJC,LJS,LJT,LSJ,LTJ,LTK1,LTR,LTS,QJW1,SJC1,SJC5,SM11,VEE1<br>WDJ,WJP1   |
|          | 87532-ZB4-G60 | MARK, OIL ALERT (GERMAN) ....             | 1         | -              | -   | -   | 2613594    | ----- LJ,SAJ   |
| 9        | 87532-ZB4-G60 | MARK, OIL ALERT (GERMAN) ....             | 1         | -              | -   | -   | 2311047    | ----- VSX  |
|          |               |   | 1         | -              | -   | -   | -----      | ----- HTF2,HXU,HX26,LXU,LX26,PX2,QBU2,QLL,QMX2,QTC2,QXC9,QXU,QX26<br>SAD2,SMW2,UXU,VXU,WKT2  |
|          |               |   | 1         | -              | -   | -   | 2311047    | ----- HX,HXQ,HX2,LX,LX2,PX,QX,QXC,QXG,QXQ,QXS,QXS2,QX2,RX,SX,TX,TX2<br>UX,VA,VED,VS1,VX  |
|          |               |   | 1         | -              | -   | -   | 2311047    | 2445194 QEH  |
|          |               |   | -         | (1)            | -   | -   | 2311047    | 2564424 QXG2   |
|          | 87532-ZB4-H50 | MARK, OIL ALERT (FRENCH) ....             | 1         | -              | -   | -   | -----      | ----- HTF2,HXU,HX26,LXU,LX26,PX2,QBU2,QMX2,QTC2,QXC9,QXU,QX26,SAD2<br>SMW2,UXU,VED6,VXU,WKD6,WKT2,WKT6   |
|          |               |   | 1         | -              | -   | -   | 2311047    | ----- HX,HXQ,HX2,LX,LX2,PX,QX,QXC,QXG,QXQ,QXS,QXS2,QX2,RX,SX,TX,TX2<br>UX,VA,VED1,VEX,VSX,VSX1,VX  |
|          |               |   | 1         | -              | -   | -   | -----      | 2476407 QLL  |
|          |               |   | 1         | -              | -   | -   | 2311047    | 2564424 QXG2   |
|          |               |   | -         | (1)            | -   | -   | 2311047    | -----  |
| 10       | 87532-ZE1-810 | MARK, OIL ALERT (EXTERNAL) ..             | 1         | -              | -   | -   | 2186369    | HX,LX,PX,QX,QXC,QXG,QXS,RX,SX,TX,UX,VA,VED1,VSX,VX   |
|          | 87532-ZE1-000 | MARK, OIL ALERT (INTERNAL) ..             | -         | (1)            | -   | -   | 2186369    | -----  |
|          |               |   | 1         | (1)            | -   | -   | 2186369    | H1,Q1,R1,SMJ,U1,V1,W1  |
| 11       | 87532-ZH8-W40 | MARK, THROTTLE INDICATION ...             | 1         | -              | -   | -   | -----      | ----- HHQ4,HX4,KRT4,LAJ4,LD4,LEH4,LHQ4,LSJ4,LX4,QHQ4,QMA4,QMA8,QME4<br>QX4,QX7,RD4,RHQ4,RX4,SAJ4,SD4,SHQ4,SMA7,SM14,SSX4,SXS4,SX4,SX7<br>TX4,VX4,VX7,WKT4,WMA3,WME4      |
|          |               |   | 1         | -              | -   | -   | 2476408    | ----- QE,QEH,QLL,QPU,RHC,SE,VEX  |
|          |               |   | 1         | -              | -   | -   | 2618672    | VAX4   |
| 12       | 87532-ZH8-000 | MARK, OIL ALERT (INTERNAL) ..             | 1         | -              | -   | -   | -----      | ----- LJC,LTA,QJW1,SJC1,SJC5,VEE1  |
|          |               |   | 1         | -              | -   | -   | 2186370    | SMJ  |
|          |               |   | -         | 1              | -   | -   | 2183670    | H1,Q1,R1,U1,V1,W1  |
|          | 87532-ZH8-810 | MARK, OIL ALERT (EXTERNAL) ..             | 1         | -              | -   | -   | -----      | ----- HTF2,HXQ,HXU,HX2,HX26,LXU,LX2,LX26,PX2,QBU2,QMH,QMX2,QTC2,QXC9<br>QXQ,QXS2,QXU,QX2,QX26,SAD2,SG24,SMW2,SM12,SSX2,SWX2,SXS4,TX2<br>TX26,UXU,VED6,VXU,WKD6,WKT2,WKT6 |
|          |               |   | 1         | -              | -   | -   | 2186370    | HX,LX,PX,QX,QXC,QXG,QXS,RX,SX,TX,UX,VA,VED1,VX   |
|          |               |   | 1         | -              | -   | -   | -----      | 2476407 QLL,VEX  |
|          |               |   | 1         | -              | -   | -   | -----      | 2564424 QXG2   |
|          |               |   | -         | 1              | -   | -   | 2186370    | -----  |
| 13       | 87534-ZE1-000 | LABEL, AIR CLEANER CAUTION ..             | -         | (1)            | -   | -   | -----      | ----- H1,Q1,R1,U1,V1,W1  |
|          | 87534-ZE1-841 | .....                                     | 1         | -              | -   | -   | -----      | ----- QXC  |
|          |               |   | -         | (1)            | -   | -   | -----      | -----  |
| 14       | 87530-ZH7-000 | LABEL, SPECIFICATION<br>(INTERNAL)        | 1         | (1)            | -   | -   | -----      | ----- QJW1,QSJ,Q1,SSK2,U1,V1,WDJ,WJ1,W1  |
|          |               |   | 1         | (1)            | -   | -   | 4070274    | H1,R1,SAJ,SCJ,SJ,SJC,SJC1,SJC5,SKJ,SKR,SMJ,SM11,SSK1,SSK3,STP<br>STS,VET,WJ,WJP,WJP1   |
|          | 87530-ZH7-810 | LABEL, SPECIFICATION<br>(EXTERNAL)        | 1         | (1)            | -   | -   | 2299936    | HX,HXQ,HX2,H1,LD,LX,LX2,PH,PX,QA,QA2,QD,QH2,QX,QXC,QXG,QXG2<br>QXQ,QXS,QXS2,QX2,Q1,RD,RX,R1,SD,SX,TH,TX,TX2,UH,UX,U1,VH,VX,V1<br>W1                                      |
|          | 87530-ZH7-820 | LABEL, SPECIFICATION<br>(INTERNAL/L-TYPE) | 1         | (1)            | -   | -   | -----      | ----- H1,LJT,LTA,Q1,R1,U1,V1,W1  |
|          |               |   | 1         | -              | -   | -   | 4077491    | DS,KRT,KRT6,LJ,LJC,LJS,LSJ,LTJ,LTK1,LTR  |
|          | 87594-ZB3-C00 | MARK, OIL CAUTION .....                   | 1         | -              | -   | -   | 2171486    | VS,VSX   |
|          | 87530-ZH7-010 | LABEL, SPECIFICATION .....                | 1         | (1)            | -   | -   | 4070275    | H1,R1,SAJ,SCJ,SJ,SJC,SJC1,SJC5,SKJ,SKR,SMJ,SM11,SSK1,SSK3,STP<br>STS,VET,WJ,WJP,WJP1   |





ZH70-E2800C

| Ref. No. | Part No.      | Description                               | Reqd. QTY |     |     |     | Serial No. | Parts catalogue code   |
|----------|---------------|---|-----------|-----|-----|-----|------------|--|
|          |               |   | GX120K1   |     |     |     |            |  |
|          |               |   | (1)       | (2) | (3) | (4) |            |  |
| 14)      | 87530-ZH7-821 | LABEL, SPECIFICATION<br>(INTERNAL/L-TYPE) | 1         | -   | -   | -   | -----      | LTS  |
|          |               |   | 1         | -   | -   | -   | 4077492    | DS,KRT,KRT6,LJ,LJC,LJS,LSJ,LTJ,LTK1,LTR  |
| 15       | 87522-ZB3-K01 | MARK, FIRE DANGER .....                   | -         | -   | 1   | -   | -----      | UIH,WIH1   |
| 16       | 87533-ZC0-630 | MARK, AIR CLEANER .....                   | 1         | -   | -   | -   | -----      | VMT  |
| 17       | 87539-898-620 | MARK, EX. CAUTION<br>(ENGLISH/FRENCH)     | 1         | -   | -   | -   | -----      | VMT  |
| 18       | 87565-ZB4-A00 | PLATE, FUEL INDICATION .....              | 1         | -   | -   | -   | -----      | VMT  |
| 19       | 87522-ZH8-W40 | MARK, CAUTION .....                       | 1         | -   | -   | -   | -----      | HHQ4, HX4, KRA4, KRF4, KRS4, KRT4, LAJ4, LEH4, LHQ4, LSJ4, LX4, QHQ4, QMA4, QMA8, QME4, QWA4, QX4, QX7, RD4, RHQ4, RX4, SAJ4, SD4, SG24, SHQ4, SMA7, SM14, SSS4, SWX4, SXS4, SX4, SX7, TX4, VEX7, VMS4, VX4, VX7, WKT4, WMA3, WME4 |
|          |               |   | 1         | -   | -   | -   | 2476408    | QE, QEH, QLL, QPU, SE, VEX   |
|          |               |   | 1         | -   | -   | -   | 2923169    | DKR  |
| 20       | 87532-ZH8-W40 | MARK, THROTTLE INDICATION ...             | 1         | -   | -   | -   | -----      | QWA4, QX7, SG24, SX7, VX7  |
|          |               |   | 1         | -   | -   | -   | 3939867    | SWX4   |
| 21       | 87135-ZE2-000 | LABEL, E-SPEC (HONDA)<br>(EPA STANDARD)   | 1         | -   | -   | -   | -----      | KRF4, SM14, VEK  |
|          |               |   | 1         | -   | -   | -   | 4077819    | KRT  |
|          | 87135-ZE2-010 | LABEL, E-SPEC (EPA STANDARD)              | 1         | -   | -   | -   | -----      | QX7, SX7, VEX7, VX7  |
|          | 87135-ZE2-020 | LABEL, E-SPEC (15.5X27.5) ...             | 1         | -   | -   | -   | -----      | LTS  |
| 22       | 87522-ZH7-V90 | LABEL, FUEL WARNING .....                 | 1         | -   | -   | -   | -----      | LTA  |
| 23       | 87526-ZH8-000 | MARK B, COMBINATION .....                 | 1         | (1) | -   | -   | 2612209    | DS, H1, LTA, LTJ, QSJ, R1, SCJ, SJ, SJC, SKJ, SMJ, STS, VET, WJ, WJP   |
|          |               |   | 1         | -   | -   | -   | -----      | KRT, KRT6, LJC, LJS, LJT, LSJ, LTK1, LTR, LTS, QJW1, SJC1, SJC5, SM11, VEE1, WDJ, WJP1, WJ1  |
|          |               |   | 1         | -   | -   | -   | 2613594    | LJ, SAJ  |
|          |               |   | 1         | -   | -   | -   | 2613699    | SSK3, STP  |

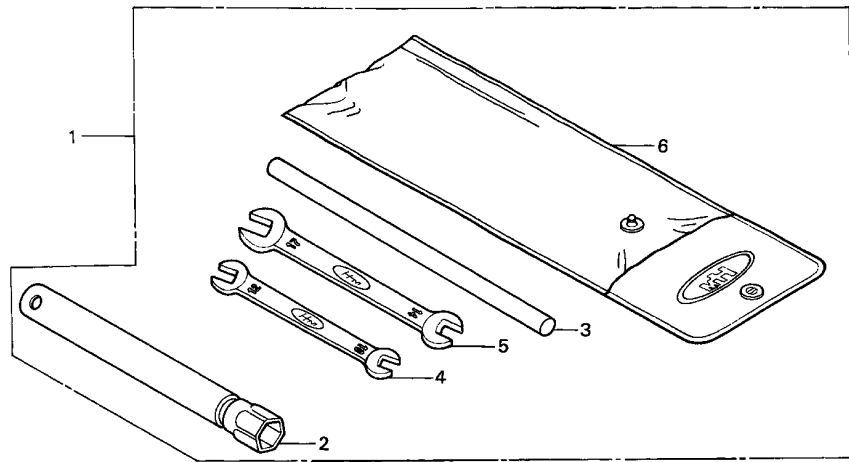


ZH70-E2800C

| Ref. No. | Part No.      | Description                         | Reqd. QTY |     |     |     | Serial No.  | Parts catalogue code |
|----------|---------------|-------------------------------------|-----------|-----|-----|-----|---|----------------------|
|          |               |                                     | (1)       | (2) | (3) | (4) |   |                      |
| 24       | 87565-ZE2-000 | MARK, FUEL (INTERNAL) .....         | 1         | -   | -   | -   | ----- SKR,SMJ   |                      |
|          | 87565-ZE2-A01 | .....                               | 1         | -   | -   | -   | ----- VEK   |                      |
| 25       | 87593-737-A00 | MARK, USE FUEL .....                | 1         | -   | -   | -   | 2336518 LTA   |                      |
|          | 87593-VB2-000 | .....                               | 1         | -   | -   | -   | 2336519 2613638 LTA   |                      |
| 26       | 87106-737-J00 | MARK, FUEL WARNING .....            | 1         | -   | -   | -   | ----- WJ1   |                      |
| 27       | 87535-ZE1-840 | MARK, AIR CLEANER SALES POINT ..... | 1         | -   | -   | -   | 4170554 QXC,QXC9  |                      |
|          | 87535-ZE1-841 | .....                               | 1         | -   | -   | -   | 4170555 QXC,QXC9  |                      |
| 28       | 87534-ZE1-841 | LABEL, AIR CLEANER CAUTION ..       | 1         | -   | -   | -   | ----- QXC9  |                      |
| 29       | 87586-ZH7-W00 | LABEL, FUEL CAUTION .....           | 1         | -   | -   | -   | 2520549 QAA2  |                      |
| 30       | 87135-ZE2-000 | LABEL, E-SPEC (HONDA) .....         | 1         | -   | -   | -   | 2292416 HXQ,HX2,LX2,QA2,QH2,QXG2,QXQ,QXS2,QX2,TX2                     |                      |
|          |               | (EPA STANDARD)                      | 1         | 1   | -   | -   | ----- DS,HX,H1,KR,KRT6,LD,LJ,LJC,LJS,LSJ,LTJ,LTK1,LTR,LX,PH,PX,QD,QX  |                      |
|          |               |                                     | 1         | -   | -   | -   | 4077819 Q1,RD,RX,R1,SAJ,SCJ,SD,SJ,SJC,SJC1,SJC5,SKJ,SKR,SMJ,SM11,SSK3 |                      |
|          |               |                                     | 1         | -   | -   | -   | 4077819 STP,STS,SX,S1,TH,TX,UH,UX,VEE1,VET,VX,WJ,WJP,WJP1             |                      |
|          | 87135-ZE2-010 | LABEL, E-SPEC (EPA STANDARD)        | 1         | -   | -   | -   | ----- KRT   |                      |
|          |               |                                     | 1         | -   | -   | -   | ----- QX7,SX7,VEX7,VX7  |                      |
| 31       | 87106-737-J00 | MARK, FUEL WARNING .....            | 1         | -   | -   | -   | ----- VEK   |                      |
| 32       | 87152-ZH7-C30 | LABEL, SPEC .....                   | 1         | -   | -   | -   | 4072259 VEK   |                      |
|          | 87152-ZH7-C31 | .....                               | 1         | -   | -   | -   | 4072260 VEK   |                      |
| 33       | 87539-737-J00 | MARK, HEAT CAUTION .....            | 1         | -   | -   | -   | ----- VEK   |                      |
| 34       | 87593-737-J00 | MARK, USE FUEL .....                | 1         | -   | -   | -   | ----- VEK   |                      |
| 35       | 87594-ZH7-B20 | MARK, OIL CAUTION .....             | 1         | -   | -   | -   | ----- VEK   |                      |
| 36       | 87532-ZH8-810 | MARK, OIL ALERT (EXTERNAL) ..       | 1         | -   | -   | -   | ----- VSX1  |                      |
|          |               |                                     | 1         | -   | -   | -   | 2186370 VSX   |                      |
| 37       | 87532-ZH8-810 | MARK, OIL ALERT (EXTERNAL) ..       | 1         | -   | -   | -   | ----- WME2  |                      |







ZH70-E2900

| Ref. No. | L.O.N. | (Relative ref. Number)<br>Description | F.R.T. |
|----------|--------|---------------------------------------|--------|
|----------|--------|---------------------------------------|--------|

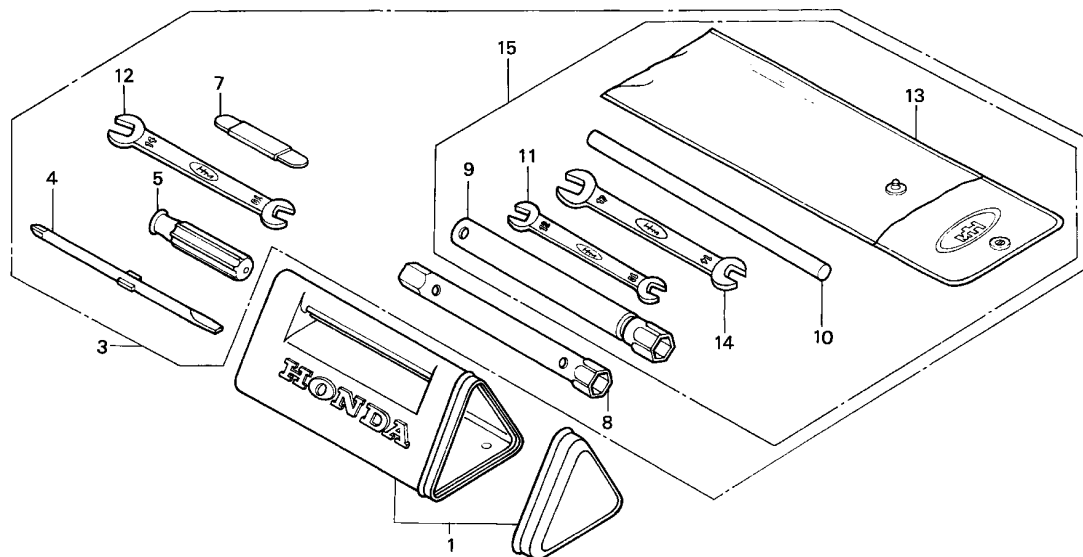
NO INFORMATION .....

| Ref. No. | Part No.      | Description                    | Reqd. QTY |     |     |     | Serial No. | Parts catalogue code |
|----------|---------------|--------------------------------|-----------|-----|-----|-----|------------|----------------------|
|          |               |                                | (1)       | (2) | (3) | (4) |            |                      |
| 1        | 89000-ZE1-000 | TOOL KIT .....                 | -         | (1) | -   | -   |            |                      |
| 2        | 89218-ZE1-000 | WRENCH COMP., SPARK PLUG ..... | -         | (1) | -   | -   |            |                      |
| 3        | 89219-805-000 | HANDLE, BOX WRENCH .....       | -         | (1) | -   | -   |            |                      |
| 4        | 99001-10120   | SPANNER, 10X12 .....           | -         | (1) | -   | -   |            |                      |
| 5        | 99001-14170   | SPANNER, 14X17 .....           | -         | (1) | -   | -   |            |                      |
| 6        | 99008-02300   | BAG, TOOL, 230MM .....         | -         | (1) | -   | -   |            |                      |

E-29-1

TOOL(2)

N 1



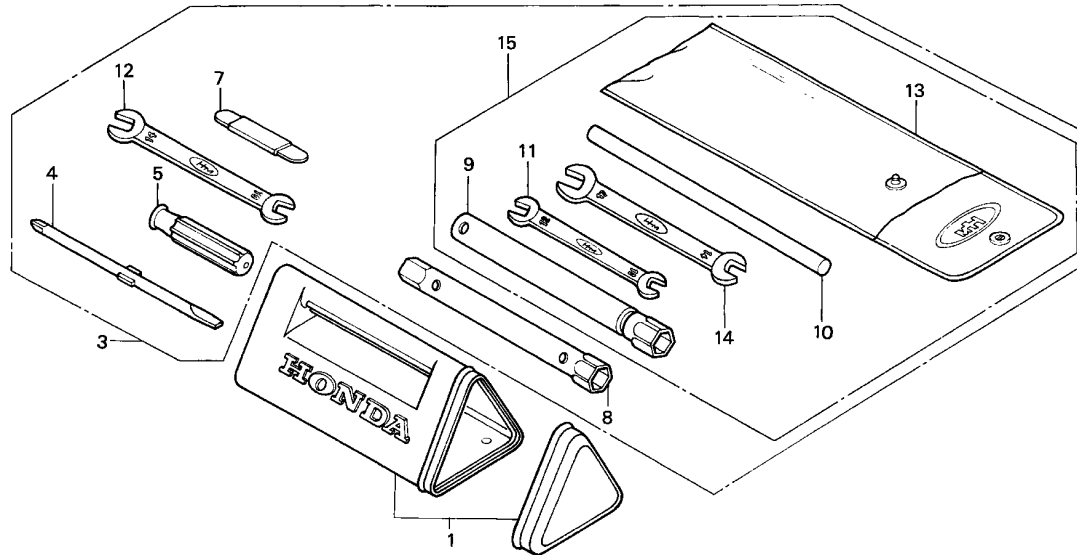
ZH70-E2901

Ref. No. L.O.N. (Relative ref. Number) Description F.R.T.

NO INFORMATION .....

| Ref. No. | Part No.      | Description                    | Reqd. QTY |     |     |         | Serial No.   | Parts catalogue code |
|----------|---------------|--------------------------------|-----------|-----|-----|---------|--|----------------------|
|          |               |                                | (1)       | (2) | (3) | (4)     |  |                      |
| 1        | 83501-ZF1-000 | BOX, TOOL .....                | 1         | -   | 1   | -       | LDB3,LW2,PM,PM2,QM,QT,SDB3,SN,SW2,UIH                          |                      |
| 3        | 89000-ZH7-T00 | TOOL KIT .....                 | -         | -   | 1   | -       | UIH  |                      |
|          | 89001-ZF1-000 | BAG SET, TOOL .....            | 1         | -   | -   | -       | LDB3,LW2,PM2,QT,SDB3,SN,SW2                                    |                      |
|          |               |                                | 1         | -   | -   | 3070123 | PM,QM  |                      |
| 4        | 89102-538-000 | SHAFT, SCREW DRIVER .....      | 1         | -   | -   | -       | LDB3,LW2,PM2,QT,SDB3,SN,SW2                                    |                      |
|          |               |                                | 1         | -   | -   | 3070123 | PM,QM  |                      |
| 5        | 89103-538-000 | GRIP .....                     | 1         | -   | -   | -       | LDB3,LW2,PM2,QT,SDB3,SN,SW2                                    |                      |
|          |               |                                | 1         | -   | -   | 3070123 | PM,QM  |                      |
| 7        | 89210-ZF1-000 | GAUGE ASSY., THICKNESS .....   | 1         | -   | -   | -       | LDB3,LW2,PM2,QT,SDB3,SN,SW2                                    |                      |
|          |               |                                | 1         | -   | -   | 3070123 | PM,QM  |                      |
| 8        | 89216-ZF1-000 | WRENCH, BOX .....              | 1         | -   | -   | -       | LDB3,LW2,PM2,QT,SDB3,SN,SW2                                    |                      |
|          |               |                                | 1         | -   | -   | 3070123 | PM,QM  |                      |
|          | 89216-ZH8-S00 | WRENCH, PLUG .....             | -         | -   | 1   | -       |  |                      |
| 9        | 89218-ZE1-000 | WRENCH COMP., SPARK PLUG ..... | 1         | -   | 1   | -       | 2329687 QA,UIH   |                      |
|          |               |                                | 1         | -   | -   | -       | AR,DKR,DS,EN,ET,ETX,KR,KRA4,KRF4,KRS4,KRT,KRT4,KRT6,LAJ4,LDB3  |                      |
|          |               |                                |           |     |     |         | LJ,LJC,LJS,LJT,LSJ,LSJ4,LTA,LTJ,LTK1,LTR,LTS,LW2,PM,PM2,QA2    |                      |
|          |               |                                |           |     |     |         | QBU2,QJW1,QM,QMA8,QMX2,QSJ,QT,QTC2,QWA4,QXC,QXC9,RHC,SAD2,SAJ  |                      |
|          |               |                                |           |     |     |         | SAJ4,SCJ,SDB3,SJ,SJC,SJC1,SJC5,SKJ,SKR,SMA7,SMJ,SMW2,SM11,SM12 |                      |
|          |               |                                |           |     |     |         | SM14,SN,SSK1,SSK2,SSK3,SSX2,SSX4,STP,STS,SW2,VED,VED1,VED6     |                      |
|          |               |                                |           |     |     |         | VEE1,VEK,VET,VS,VSX,VSX1,VS1,WDA6,WDJ,WD12,WJ,WJP,WJP1,WJ1     |                      |
|          |               |                                |           |     |     |         | WKD6,WKT2,WKT4,WKT6,WMA3,WME2,WME4,WM1                         |                      |
|          |               |                                | 1         | -   | -   | -       | KRS4   |                      |
|          | 99004-21001   | WRENCH, BOX (P21) .....        | (1)       | -   | -   | 2329688 | QA   |                      |
|          |               |                                | 1         | -   | -   | -       | VMT  |                      |
| 10       | 89219-805-000 | HANDLE, BOX WRENCH .....       | 1         | -   | -   | -       | LDB3,LW2,PM,PM2,QM,QT,SDB3,SN,SW2,VEK                          |                      |
|          |               |                                | -         | -   | 1   | -       |  |                      |
| 11       | 99001-10120   | SPANNER, 10X12 .....           | 1         | -   | -   | -       | LDB3,LW2,PM,PM2,QM,QT,SDB3,SN,SW2                              |                      |

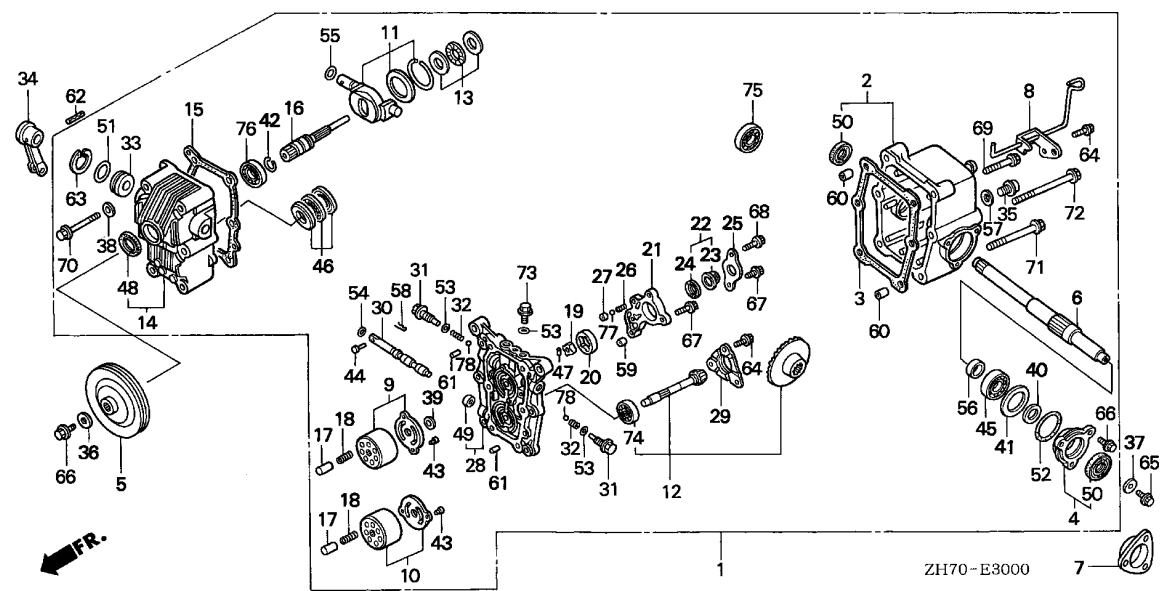
2



ZH70-E2901

2

| Ref. No. | Part No.      | Description      | Reqd. QTY |     |     |               | Serial No.                        | Parts catalogue code |
|----------|---------------|------------------|-----------|-----|-----|---------------|-----------------------------------|----------------------|
|          |               |                  | (1)       | (2) | (3) | (4)           |                                   |                      |
| 12       | 99001-10140   | SPANNER, 10X14   | 1         | -   | -   | -             | ----- LDB3,LW2,PM2,QT,SDB3,SN,SW2 |                      |
| 13       | 99008-02300   | BAG, TOOL, 230MM | 1         | -   | -   | ----- 3070123 | PM,QM                             |                      |
| 14       | 99001-14170   | SPANNER, 14X17   | 1         | -   | -   | ----- 3070124 | PM,QM                             |                      |
| 15       | 89000-ZE1-000 | TOOL KIT         | 1         | -   | -   | ----- 3070124 | PM,QM                             |                      |

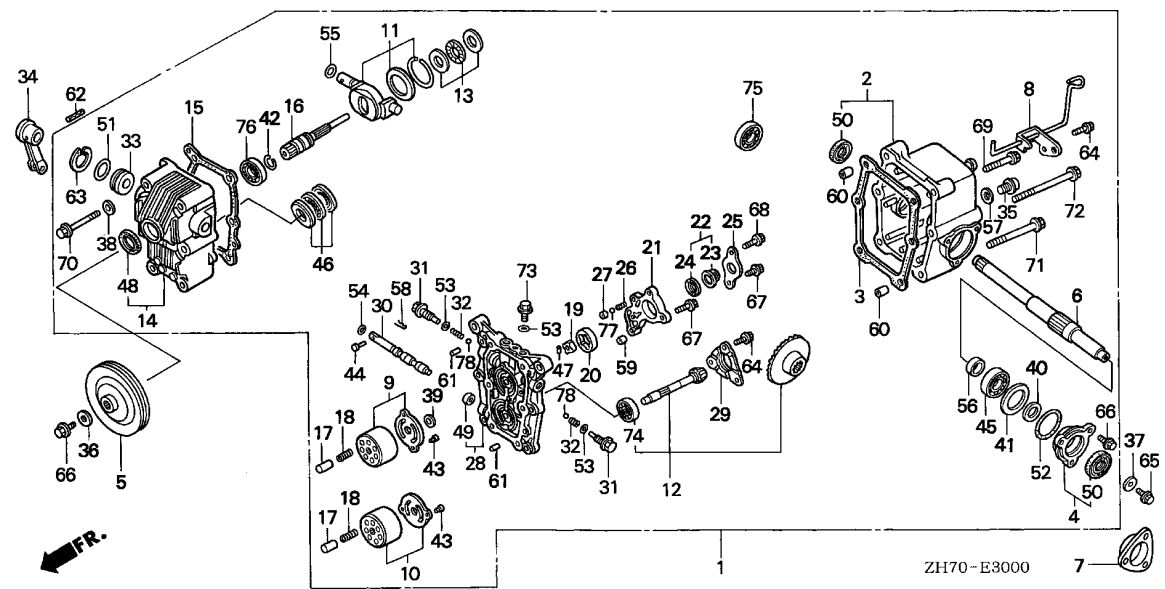


|          |        |                        |             |        |
|----------|--------|------------------------|-------------|--------|
| Ref. No. | L.O.N. | (Relative ref. Number) | Description | F.R.T. |
|----------|--------|------------------------|-------------|--------|

NO INFORMATION .....

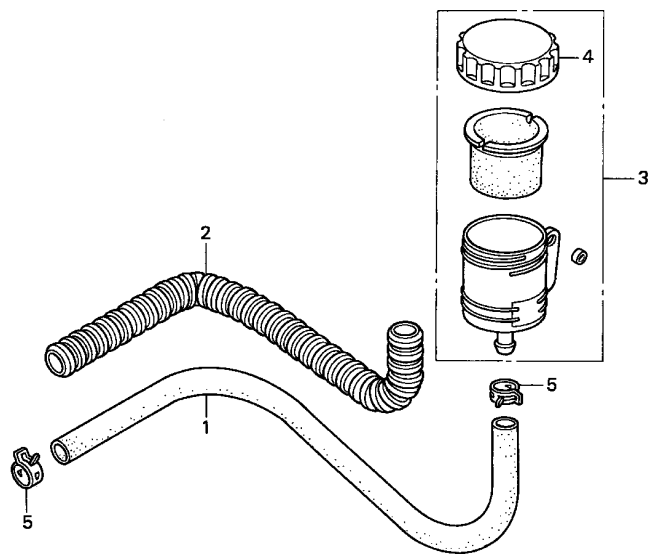
| Ref. No. | Part No.      | Description                    | Reqd. QTY |     |     |     | Serial No. | Parts catalogue code |
|----------|---------------|--------------------------------|-----------|-----|-----|-----|------------|----------------------|
|          |               |                                | (1)       | (2) | (3) | (4) |            |                      |
| 1        | 20001-VD6-R00 | TRANSMISSION ASSY. ....        | 1         | -   | -   | -   | SSK3       |                      |
| 2        | 21210-VD6-854 | CASE COMP., RR. TRANSMISSION   | 1         | -   | -   | -   | SSK3       |                      |
| 3        | 21215-VD6-851 | PACKING, RR. TRANSMISSION CASE | 1         | -   | -   | -   | SSK3       |                      |
| 4        | 21225-VD6-853 | HOLDER COMP., OIL SEAL .....   | 1         | -   | -   | -   | SSK3       |                      |
| 5        | 22423-767-000 | PULLEY, WHEEL DRIVEN (133MM)   | 1         | -   | -   | -   | SSK3       |                      |
| 6        | 23236-VD6-871 | SHAFT, CROSS .....             | 1         | -   | -   | -   | SSK3       |                      |
| 7        | 23384-767-000 | HOLDER, BEARING .....          | 1         | -   | -   | -   | SSK3       |                      |
| 8        | 24176-VD6-852 | ARM COMP., NEUTRAL VALVE ....  | 1         | -   | -   | -   | SSK3       |                      |
| 9        | 25010-VD6-851 | PLATE SET, PUMP CYLINDER ....  | 1         | -   | -   | -   | SSK3       |                      |
| 10       | 25011-VD6-851 | PLATE SET, MOTOR CYLINDER ...  | 1         | -   | -   | -   | SSK3       |                      |
| 11       | 25012-VD6-850 | BOWL SET, CONTROL .....        | 1         | -   | -   | -   | SSK3       |                      |
| 12       | 25013-VD6-850 | GEAR SET, MOTOR SHAFT & BEVEL  | 1         | -   | -   | -   | SSK3       |                      |
| 13       | 25014-VD6-850 | BEARING SET, THRUST NEEDLE ..  | 1         | -   | -   | -   | SSK3       |                      |
| 14       | 25310-VD6-M50 | CASE COMP., PUMP (VVR30) ..... | 1         | -   | -   | -   | SSK3       |                      |
| 15       | 25312-VD6-851 | PACKING, PUMP CASE .....       | 1         | -   | -   | -   | SSK3       |                      |
| 16       | 25321-VD6-852 | SHAFT, PUMP .....              | 1         | -   | -   | -   | SSK3       |                      |
| 17       | 25342-773-003 | PISTON, PUMP .....             | 14        | -   | -   | -   | SSK3       |                      |
| 18       | 25343-773-000 | SPRING, PISTON .....           | 14        | -   | -   | -   | SSK3       |                      |
| 19       | 25411-VD6-852 | ROTOR, TROCHOID .....          | 1         | -   | -   | -   | SSK3       |                      |
| 20       | 25415-VD6-851 | VANE, TROCHOID .....           | 1         | -   | -   | -   | SSK3       |                      |
| 21       | 25416-VD6-853 | HOUSING, TROCHOID .....        | 1         | -   | -   | -   | SSK3       |                      |
| 22       | 25420-VD6-852 | FILTER ASSY., SUCTION .....    | 1         | -   | -   | -   | SSK3       |                      |
| 23       | 25421-VD6-852 | FILTER, SUCTION .....          | 1         | -   | -   | -   | SSK3       |                      |
| 24       | 25422-VD6-851 | SEAL, RUBBER .....             | 1         | -   | -   | -   | SSK3       |                      |
| 25       | 25425-VD6-852 | PLATE, FILTER CAP .....        | 1         | -   | -   | -   | SSK3       |                      |





| Ref. No. | Part No.      | Description                 | Reqd. QTY |     |     |     | Serial No. | Parts catalogue code |
|----------|---------------|-----------------------------|-----------|-----|-----|-----|------------|----------------------|
|          |               |                             | (1)       | (2) | (3) | (4) |            |                      |
| 26       | 25431-VD6-851 | SPRING, RELIEF VALVE        | 1         | -   | -   | -   | SSK3       |                      |
| 27       | 25437-VD6-852 | SEAT, RELIEF VALVE          | 1         | -   | -   | -   | SSK3       |                      |
| 28       | 25510-VD6-854 | PLATE COMP., DISTRIBUTOR    | 1         | -   | -   | -   | SSK3       |                      |
| 29       | 25518-VD6-850 | HOLDER, BEARING             | 1         | -   | -   | -   | SSK3       |                      |
| 30       | 25521-VD6-850 | SPOOL, NEUTRAL VALVE        | 1         | -   | -   | -   | SSK3       |                      |
| 31       | 25525-773-000 | BOLT, CHECK VALVE           | 2         | -   | -   | -   | SSK3       |                      |
| 32       | 25526-VD6-851 | SPRING, CHECK VALVE         | 2         | -   | -   | -   | SSK3       |                      |
| 33       | 25813-773-000 | BUSH, CONTROL BOWL (B)      | 1         | -   | -   | -   | SSK3       |                      |
| 34       | 40311-767-000 | ARM, CLUTCH                 | 1         | -   | -   | -   | SSK3       |                      |
| 35       | 90081-MC7-000 | BOLT, PLUG, 14MM            | 1         | -   | -   | -   | SSK3       |                      |
| 36       | 90417-115-000 | WASHER, CAMSHAFT SIDE       | 1         | -   | -   | -   | SSK3       |                      |
| 37       | 90474-704-000 | WASHER, 6X17                | 1         | -   | -   | -   | SSK3       |                      |
| 38       | 90503-VD6-850 | WASHER, SEALING, 9X16X1.5   | 6         | -   | -   | -   | SSK3       |                      |
| 39       | 90504-VD6-851 | WASHER, THRUST, 8MM         | 1         | -   | -   | -   | SSK3       |                      |
| 40       | 90508-VD6-850 | WASHER, PLAIN, 15MM         | 1         | -   | -   | -   | SSK3       |                      |
| 41       | 90565-VD6-852 | SHIM A, BEVEL GEAR (1.5MM)  | 1         | -   | -   | -   | SSK3       |                      |
|          | 90566-VD6-852 | SHIM B, BEVEL GEAR (1.55MM) | 1         | -   | -   | -   | SSK3       |                      |
|          | 90567-VD6-852 | SHIM C, BEVEL GEAR (1.6MM)  | 1         | -   | -   | -   | SSK3       |                      |
|          | 90568-VD6-852 | SHIM D, BEVEL GEAR (1.65MM) | 1         | -   | -   | -   | SSK3       |                      |
|          | 90569-VD6-851 | SHIM E, BEVEL GEAR (1.7MM)  | 1         | -   | -   | -   | SSK3       |                      |
|          | 90570-VD6-852 | SHIM F, BEVEL GEAR (1.75MM) | 1         | -   | -   | -   | SSK3       |                      |
| 42       | 90663-VD6-850 | CLIP, BEARING               | 1         | -   | -   | -   | SSK3       |                      |
| 43       | 90755-VD6-900 | DOWEL PIN, 3X5.8            | 4         | -   | -   | -   | SSK3       |                      |
| 44       | 90759-VD6-850 | PIN, NEUTRAL VALVE          | 1         | -   | -   | -   | SSK3       |                      |
| 45       | 91007-MN5-003 | BEARING, RADIAL BALL, 6904  | 1         | -   | -   | -   | SSK3       |                      |
|          | (NTN)         |                             | 1         | -   | -   | -   | SSK3       |                      |

| Ref. No. | Part No.       | Description                    | Reqd. QTY |     |     |     | Serial No. | Parts catalogue code |
|----------|----------------|--------------------------------|-----------|-----|-----|-----|------------|----------------------|
|          |                |                                | (1)       | (2) | (3) | (4) |            |                      |
| 46       | 91069-VD6-851  | BEARING, THRUST BALL, 51204 .. | 1         | -   | -   | -   | SSK3       |                      |
| 47       | 91151-VD6-851  | ROLLER, 2.5X11.8 .....         | 1         | -   | -   | -   | SSK3       |                      |
| 48       | 91202-722-003  | OIL SEAL, 17X30X6 .....        | 1         | -   | -   | -   | SSK3       |                      |
| 49       | 91255-VD6-851  | DUST SEAL, 9X15X5 .....        | 1         | -   | -   | -   | SSK3       |                      |
| 50       | 91272-733-931  | OIL SEAL, 15X28X7 .....        | 2         | -   | -   | -   | SSK3       |                      |
| 51       | 91304-GB1-900  | O-RING, 25X2.4 .....           | 1         | -   | -   | -   | SSK3       |                      |
| 52       | 91352-VD6-851  | O-RING, 34.6X1.9 .....         | 1         | -   | -   | -   | SSK3       |                      |
| 53       | 91355-VD6-852  | O-RING, 11X1.9 .....           | 4         | -   | -   | -   | SSK3       |                      |
| 54       | 91360-VD6-851  | O-RING, 5.8X1.9 .....          | 1         | -   | -   | -   | SSK3       |                      |
| 55       | 91361-VD6-901  | O-RING, 11.8X1.9 .....         | 1         | -   | -   | -   | SSK3       |                      |
| 56       | 91589-VD6-851  | COLLAR, BEVEL GEAR .....       | 1         | -   | -   | -   | SSK3       |                      |
| 57       | 94109-14000    | WASHER, DRAIN PLUG, 14MM ..... | 1         | -   | -   | -   | SSK3       |                      |
| 58       | 94251-04000    | PIN, LOCK, 4MM .....           | 1         | -   | -   | -   | SSK3       |                      |
| 59       | 94301-08100    | DOWEL PIN, 8X10 .....          | 2         | -   | -   | -   | SSK3       |                      |
| 60       | 94301-10120    | DOWEL PIN, 10X12 .....         | 2         | -   | -   | -   | SSK3       |                      |
| 61       | 94302-05080    | PIN B, DOWEL, 5X8 .....        | 2         | -   | -   | -   | SSK3       |                      |
| 62       | 94305-40282    | PIN, SPRING, 4X28 .....        | 1         | -   | -   | -   | SSK3       |                      |
| 63       | 94520-30000    | CIRCLIP, INTERNAL, 30MM .....  | 1         | -   | -   | -   | SSK3       |                      |
| 64       | 95701-06012-08 | BOLT, FLANGE, 6X12 .....       | 4         | -   | -   | -   | SSK3       |                      |
| 65       | 95701-06016-00 | BOLT, FLANGE, 6X16 .....       | 1         | -   | -   | -   | SSK3       |                      |
| 66       | 95701-06016-08 | BOLT, FLANGE, 6X16 .....       | 4         | -   | -   | -   | SSK3       |                      |
| 67       | 95701-06025-08 | BOLT, FLANGE, 6X25 .....       | 2         | -   | -   | -   | SSK3       |                      |
| 68       | 95701-06032-00 | BOLT, FLANGE, 6X32 .....       | 1         | -   | -   | -   | SSK3       |                      |
| 69       | 95701-08045-08 | BOLT, FLANGE, 8X45 .....       | 2         | -   | -   | -   | SSK3       |                      |
| 70       | 95701-08065-00 | BOLT, FLANGE, 8X65 .....       | 6         | -   | -   | -   | SSK3       |                      |
| 71       | 95701-08070-08 | BOLT, FLANGE, 8X70 .....       | 2         | -   | -   | -   | SSK3       |                      |
| 72       | 95701-08090-08 | BOLT, FLANGE, 8X90 .....       | 2         | -   | -   | -   | SSK3       |                      |
| 73       | 95701-10016-00 | BOLT, FLANGE, 10X16 .....      | 2         | -   | -   | -   | SSK3       |                      |
| 74       | 96100-60010-00 | BEARING, RADIAL BALL, 6001 ..  | 1         | -   | -   | -   | SSK3       |                      |
| 75       | 96100-60020-00 | BEARING, RADIAL BALL, 6002 ..  | 1         | -   | -   | -   | SSK3       |                      |
| 76       | 96100-60030-00 | BEARING, RADIAL BALL, 6003 ..  | 1         | -   | -   | -   | SSK3       |                      |
| 77       | 96211-06000    | BALL, STEEL, #6 (3/16) .....   | 1         | -   | -   | -   | SSK3       |                      |
| 78       | 96211-08000    | BALL, STEEL, #8 (1/4) .....    | 2         | -   | -   | -   | SSK3       |                      |

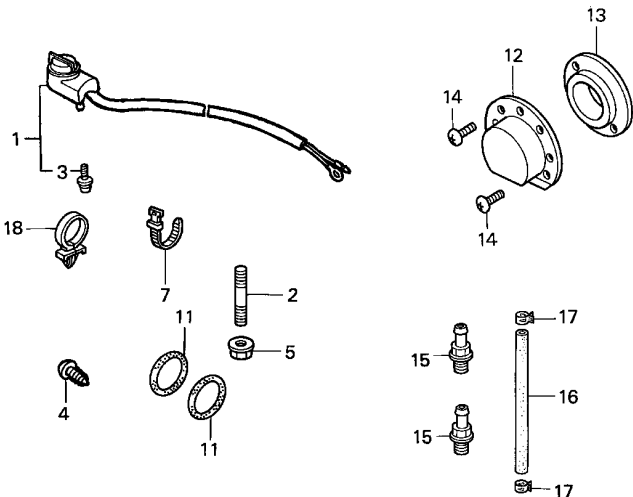


Ref. L.O.N. (Relative ref. Number) F.R.T.  
No. Description

NO INFORMATION .....

| Ref. No. | Part No.      | Description               | Reqd. QTY |     |     |     | Serial No. | Parts catalogue code |
|----------|---------------|---------------------------|-----------|-----|-----|-----|------------|----------------------|
|          |               |                           | (1)       | (2) | (3) | (4) |            |                      |
| 1        | 15422-767-000 | TUBE, OIL .....           | 1         | -   | -   | -   | SSK3       |                      |
| 2        | 15428-767-000 | PROTECTOR, OIL TUBE ..... | 1         | -   | -   | -   | SSK3       |                      |
| 3        | 56850-767-000 | TANK ASSY., OIL .....     | 1         | -   | -   | -   | SSK3       |                      |
| 4        | 56862-767-300 | BODY, OIL CAP .....       | 1         | -   | -   | -   | SSK3       |                      |
| 5        | 91462-SA5-950 | CLAMP D, 19MM .....       | 2         | -   | -   | -   | SSK3       |                      |

2



ZH70-E4000B

Ref. L.O.N. (Relative ref. Number) F.R.T.  
No. Description

NO INFORMATION .....

| Ref. No. | Part No.       | Description                   | Reqd. QTY |     |     |         | Serial No.                  | Parts catalogue code |
|----------|----------------|-------------------------------|-----------|-----|-----|---------|-----------------------------|----------------------|
|          |                |                               | (1)       | (2) | (3) | (4)     |                             |                      |
| 1        | 35120-746-C21  | SWITCH ASSY., ENGINE STOP ... | 1         | -   | -   | -       | ----- LEH4,QPU              |                      |
| 2        | 90001-ZK7-V00  | BOLT, STUD, 10X32 .....       | 3         | -   | -   | 2352578 | ----- QEH                   |                      |
|          | 90002-ZK7-V00  | BOLT, STUD, 10X60 .....       | 1         | -   | -   | -----   | ----- AR,DKR,KRA4,KRF4,KRS4 |                      |
| 3        | 90101-733-921  | BOLT, 3X12(SEMS) .....        | 1         | -   | -   | -----   | ----- LEH4,QPU              |                      |
|          |                |                               | 1         | -   | -   | 2352578 | ----- QEH                   |                      |
| 4        | 93901-32120    | SCREW, TAPPING, 3X8 .....     | 1         | -   | -   | -----   | ----- LEH4                  |                      |
| 5        | 94050-10000    | NUT, FLANGE, 10MM .....       | 4         | -   | -   | -----   | ----- AR,DKR,KRA4,KRF4,KRS4 |                      |
| 7        | 95014-62100    | BAND B1, WIRE .....           | 1         | -   | -   | -----   | ----- LEH4,QPU              |                      |
|          |                |                               | 1         | -   | -   | 2352578 | ----- QEH                   |                      |
| 11       | 78118-YB0-003  | RING, SEAL (B) .....          | 2         | -   | -   | -----   | ----- WJP,WJP1,WME4         |                      |
| 12       | 18340-ZE1-010  | DEFLECTOR COMP. ....          | 1         | -   | -   | -----   | ----- SWX2,SWX4             |                      |
|          | 18340-ZH7-U20  | .....                         | 1         | -   | -   | -----   | ----- LTS                   |                      |
| 13       | 18522-ZE1-000  | GUIDE, MUFFLER .....          | 1         | -   | -   | -----   | ----- SWX2,SWX4             |                      |
| 14       | 90002-ZG0-003  | SCREW, TAPPING, 4X8 .....     | 2         | -   | -   | -----   | ----- SWX2,SWX4             |                      |
|          | 90055-ZE1-000  | SCREW, TAPPING, 4X6 .....     | 2         | -   | -   | -----   | ----- LTS                   |                      |
| 15       | 15550-ZK8-P90  | JOINT, DRAIN .....            | 2         | -   | -   | -----   | ----- SM11,SM12,SM14        |                      |
| 16       | 15552-ZB9-000  | TUBE, DRAIN .....             | 1         | -   | -   | -----   | ----- SM11,SM12,SM14        |                      |
| 17       | 95002-41200-08 | CLAMP, TUBE (D12) .....       | 2         | -   | -   | -----   | ----- SM11,SM12,SM14        |                      |
| 18       | 90617-SA0-003  | CLIP, WIRE HARNESS .....      | 1         | -   | -   | 4091238 | ----- KRS4                  |                      |

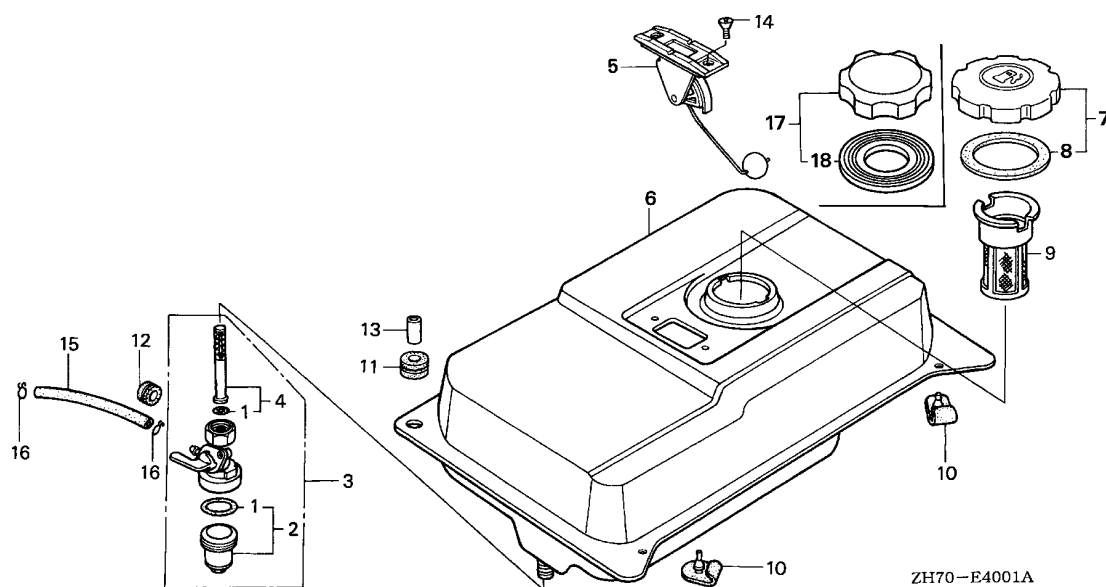




E-40-1

FUEL TANK(OTHER PARTS)

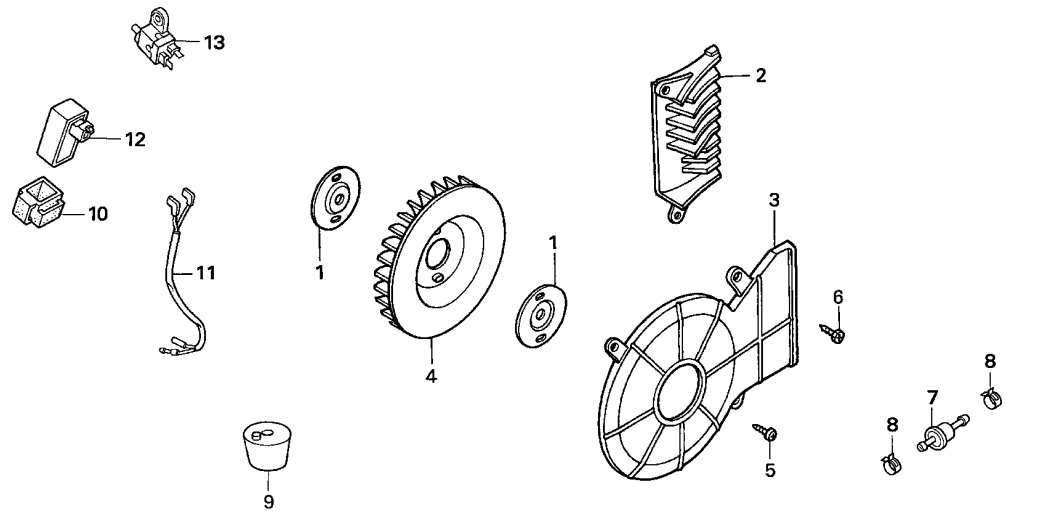
N 8



| Ref. No. | L.O.N. | (Relative ref. Number) Description | F.R.T. |
|----------|--------|------------------------------------|--------|
| 1        | 3101C4 | PACKING SET, COCK .....            | 0.2    |
| 3        | 3101A3 | COCK, FUEL .....                   | 0.2    |
| 4        | 3101D5 | SCREEN, FUEL STRAINER .....        | 0.2    |
| 5        | 6171A1 | METER UNIT, FUEL .....             | 0.1    |
| 6        | 3101H7 | TANK, FUEL .....                   | 0.2    |
| 9        | 3101A6 | FILTER, FUEL .....                 | 0.1    |
| 15       | 3101F2 | TUBE, FUEL COCK .....              | 0.2    |

| Ref. No. | Part No.        | Description                               | Reqd. QTY |     |     |         | Serial No. | Parts catalogue code |
|----------|-----------------|---|-----------|-----|-----|---------|------------|----------------------|
|          |                 |   | (1)       | (2) | (3) | (4)     |            |                      |
| 1        | 16080-898-631   | PACKING SET, COCK .....                   | 1         | -   | -   | -       | VMT        |                      |
| 2        | 16081-471-831   | CUP, FUEL STRAINER .....                  | 1         | -   | -   | -       | VMT        |                      |
| 3        | 16950-898-632   | COCK ASSY., FUEL .....                    | 1         | -   | -   | 4112838 | VMT        |                      |
|          | 16950-898-633   | .....                                     | 1         | -   | -   | 4112839 | VMT        |                      |
| 4        | 16952-883-005   | SCREEN SET .....                          | 1         | -   | -   | 4112838 | VMT        |                      |
|          | 16952-GG2-731   | .....                                     | 1         | -   | -   | 4112839 | VMT        |                      |
| 5        | 17505-ZB2-003   | METER ASSY., FUEL .....                   | 1         | -   | -   | -       | VMT        |                      |
| 6        | 17510-ZB2-000ZB | TANK COMP., FUEL<br>*R8*.....BRIGHT RED   | 1         | -   | -   | 3678788 | VMT        |                      |
| 7        | 17620-ZH7-023   | CAP COMP., FUEL FILLER (BLACK)            | 1         | -   | -   | 4203082 | VMT        |                      |
| 8        | 17631-ZH7-003   | PACKING, FUEL FILLER CAP<br>(39X58X3)     | 1         | -   | -   | 4203082 | VMT        |                      |
| 9        | 17672-ZE2-W01   | FILTER, FUEL .....                        | 1         | -   | -   | -       | VMT        |                      |
| 10       | 50319-ZB2-000   | RUBBER, TANK MOUNTING .....               | 2         | -   | -   | -       | VMT        |                      |
| 11       | 90852-898-000   | RUBBER, CONTROL BOX .....                 | 2         | -   | -   | -       | VMT        |                      |
| 12       | 90854-ZB3-000   | RUBBER, FUEL (9X15X20) .....              | 1         | -   | -   | -       | VMT        |                      |
| 13       | 91552-898-000   | COLLAR, CONTROL BOX .....                 | 2         | -   | -   | -       | VMT        |                      |
| 14       | 93600-05010-0A  | SCREW, FLAT, 5X10 .....                   | 2         | -   | -   | -       | VMT        |                      |
| 15       | 95001-45250-40  | TUBE, FUEL, 4.5X250<br>(95001-45001-60M)  | 1         | -   | -   | -       | VMT        |                      |
| 16       | 95002-02080     | CLIP, TUBE (B8) .....                     | 2         | -   | -   | -       | VMT        |                      |
| 17       | 17620-Z0T-814   | CAP COMP., FUEL FILLER<br>(CHROME PLATED) | 1         | -   | -   | 4203083 | VMT        |                      |
| 18       | 17631-Z0T-812   | PACKING, FUEL FILLER CAP<br>(39X62X3)     | 1         | -   | -   | 4203083 | VMT        |                      |

2

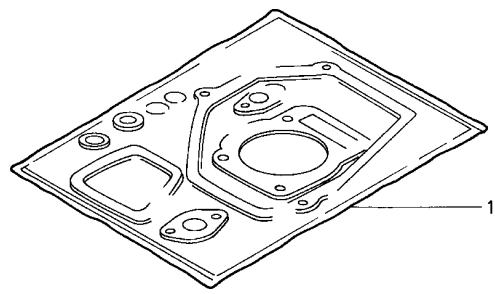


ZH70-E4002A

| Ref. No. | L.O.N. | (Relative ref. Number) Description | F.R.T. |
|----------|--------|------------------------------------|--------|
| 2        | 8101R3 | GUIDE, GENERATOR AIR .....         | 0.1    |
| 3        | 6201C5 | COVER, GENERATOR COOLING FAN .     | 0.1    |
| 4        | 1141G7 | FAN, ENGINE COOLING .....          | 0.2    |
| 7        | 3101H8 | STRAINER, FUEL .....               | 0.1    |
| 11       | 6151F9 | CORD, CLUTCH SWITCH .....          | 0.1    |
| 12       | 6211A7 | CONTROL UNIT, ENGINE .....         | 0.1    |
| 13       | 6151B4 | SWITCH, CLUTCH .....               | 0.1    |

| Ref. No. | Part No.       | Description                | Reqd. QTY |                |     |         | Serial No.    | Parts catalogue code |
|----------|----------------|----------------------------|-----------|----------------|-----|---------|---------------|----------------------|
|          |                |                            | (1)       | GX120K1<br>(2) | (3) | (4)     |               |                      |
| 1        | 19512-ZA8-000  | PLATE, FAN SETTING .....   | 2         | -              | -   | -       | VEE1          |                      |
| 2        | 31107-ZC0-003  | GUIDE, GENERATOR AIR ..... | 1         | -              | -   | -       | VEE1          |                      |
| 3        | 31109-ZC0-003  | COVER, GENERATOR FAN ..... | 1         | -              | -   | -       | VEE1          |                      |
| 4        | 31112-ZC0-003  | FAN, COOLING .....         | 1         | -              | -   | -       | VEE1          |                      |
| 5        | 90031-ZA1-003  | SCREW, TAPPING, 5X14 ..... | 1         | -              | -   | -       | VEE1          |                      |
| 6        | 90031-ZC0-003  | SCREW, TAPPING, 5X18 ..... | 2         | -              | -   | -       | VEE1          |                      |
| 7        | 16910-GB2-005  | STRAINER COMP., FUEL ..... | 1         | -              | -   | -       | KRF4,KRT,KRT6 |                      |
| 8        | 95002-40850-08 | CLAMP, TUBE (D8.5) .....   | 2         | -              | -   | 3176152 | AR,KR         |                      |
| 9        | 60407-812-000  | RUBBER, BOTTOM .....       | 4         | -              | -   | -       | LJC           |                      |
| 10       | 30401-GA7-000  | CUSHION, C.D.I. UNIT ..... | 1         | -              | -   | -       | SKR           |                      |
| 11       | 32153-735-J10  | CORD, CLUTCH SWITCH .....  | 1         | -              | -   | 3514171 | SKR           |                      |
| 12       | 34100-735-J10  | CONTROL UNIT, ENGINE ..... | 1         | -              | -   | -       | SKR           |                      |
| 13       | 35420-735-921  | SWITCH ASSY., CLUTCH ..... | 1         | -              | -   | 3514171 | SKR           |                      |





HENG-X0003

Ref. L.O.N. (Relative ref. Number) F.R.T.  
 No. Description

NO INFORMATION .....

| Ref. No. | Part No.      | Description      | Reqd. QTY |     |     |     | Serial No. | Parts catalogue code   |
|----------|---------------|------------------|-----------|-----|-----|-----|------------|--|
|          |               |                  | (1)       | (2) | (3) | (4) |            |  |
| 1        | 061A1-ZH7-010 | GASKET KIT ..... | 1         | 1   | -   | -   | -----      | DS, HXQ, HX2, H1, KRT, LD, LJ, LTA, LTK1, LTR, LX, LX2, PH, PX, QAA2, QA2, QD, QH2, QSJ, QXG2, QXQ, QXS2, QX2, Q1, RD, RX, R1, SCJ, SD, SJ, SKJ, SMJ, SSK1, STP, STS, SX, TH, TX2, UH, UX, U1, VET, VH, VX, V1, WJ, WJP1, W1 |
|          | 061A1-ZH7-020 | .....            | 1         | -   | -   | -   | -----      | 2541695 QA, QXC, QXG, QXS  |
|          | 061A1-ZH7-700 | .....            | 1         | -   | -   | -   | -----      | 2541696 HTF2, KRT4, LDB1, LDB3, LJD2, PX2, QJG2, QJW1, QMA4, QMA8, QMX2, QTC2, QWA4, QXC9, SAJ, SDB1, SDB3, SG24, SJC, SMA7, SMW2, SSK2, SSK3, VAX4, VEE1, VPR4, WD12, WKT2, WMA3, WME2                                      |
|          | 061A1-ZH7-710 | .....            | 1         | -   | -   | -   | -----      | QA, QXC, QXG, QXS  |
|          | 061A1-ZH7-720 | .....            | 1         | -   | -   | -   | -----      | EN, ET, ETX  |
|          | 061A1-ZH7-730 | .....            | 1         | -   | -   | -   | -----      | LD, LE, QD, QE, RD, SD, SE   |
|          | 061A1-ZH7-740 | .....            | 1         | -   | -   | -   | -----      | LW2, PM, PM2, QM, QT, SN, SW2  |
|          | 061A1-ZH7-800 | .....            | 1         | -   | -   | -   | -----      | HHQ4, HX4, LD4, LHQ4, LSJ4, LX4, QA, QHQ4, QLL, QPU, QX4, RD4, RHQ4, RX4, SD4, SHQ4, SX4, TX4, VX4, WME4   |
|          | 061A1-ZH7-811 | .....            | 1         | -   | -   | -   | -----      | LTJ, WJP   |
|          | 06111-ZK7-U30 | .....            | 1         | -   | -   | -   | -----      | LJC, LJT, LSJ, SJC5, WDJ, WJ1  |
|          | 06111-ZK7-V00 | .....            | 1         | -   | -   | -   | -----      | AR   |
|          |               |                  |           |     |     |     | -----      | KR, KRA4, KRF4   |

## PART NO. INDEX

2-B 1

| Part Number   | Address | Page | Ref. | Part Number   | Address | Page | Ref. | Part Number   | Address | Page | Ref. | Part Number   | Address | Page | Ref. |               |     |     |    |
|---------------|---------|------|------|---------------|---------|------|------|---------------|---------|------|------|---------------|---------|------|------|---------------|-----|-----|----|
| 06000         |         |      |      | 12210-ZH7-405 | E1      | 39   | 1    | 13200-ZE0-000 | G1      | 71   | 4    | 15520-ZE1-003 | G16     | 86   | 2    | 16100-ZH7-820 | H14 | 100 | 10 |
|               |         |      |      | 12216-ZE5-300 | E2      | 40   | 4    | 132A0-ZE0-000 | G1      | 71   | 4    | 15520-ZE1-822 | G16     | 86   | 3    | 16100-ZH7-821 | H15 | 101 | 10 |
| 06111-ZK7-U30 | N10     | 192  | 1    | 12251-ZF0-000 | E2      | 40   | 5    | 13310-YB3-010 | F4      | 58   | 1    | 15550-ZK8-P90 | N7      | 189  | 15   | 16100-ZH7-822 | H15 | 101 | 10 |
| 06111-ZK7-V00 | N10     | 192  | 1    | 12251-ZH7-800 | E3      | 41   | 5    | 13310-ZB0-000 | F4      | 58   | 2    | 15552-ZB9-000 | N7      | 189  | 16   | 16100-ZH7-830 | H15 | 101 | 10 |
| 06164-ZE0-000 | H6      | 92   | 1    | 12310-ZE1-000 | E3      | 41   | 6    | 13310-ZE0-000 | F4      | 58   | 3    | 15600-ZE1-000 | E15     | 53   | 5    | 16100-ZH7-831 | H15 | 101 | 10 |
|               | H11     | 97   | 1    | 12310-ZE1-010 | E3      | 41   | 6    | 13310-ZE0-601 | F4      | 58   | 4    |               | F3      | 57   | 25   | 16100-ZH7-841 | H15 | 101 | 10 |
| 06164-ZE1-000 | H6      | 92   | 1    | 12310-ZE1-020 | E4      | 42   | 6    | 13310-ZE0-610 | F4      | 58   | 5    | 15600-ZE1-003 | E15     | 53   | 5    | 16100-ZH7-T01 | H15 | 101 | 10 |
|               | H11     | 97   | 1    | 12310-ZE1-840 | E4      | 42   | 6    | 13310-ZE0-621 | F4      | 58   | 6    |               | E16     | 54   | 5    | 16100-ZH7-V20 | H15 | 101 | 10 |
| 061A1-ZH7-010 | N10     | 192  | 1    | 12310-ZE1-841 | E4      | 42   | 6    | 13310-ZE0-622 | F4      | 58   | 6    |               | F3      | 57   | 25   | 16100-ZH7-V21 | H15 | 101 | 10 |
| 061A1-ZH7-020 | N10     | 192  | 1    | 12310-ZE1-842 | E4      | 42   | 6    | 13310-ZE0-631 | F4      | 58   | 7    | 15600-ZF0-000 | E15     | 53   | 5    | 16100-ZH7-V90 | H14 | 100 | 10 |
| 061A1-ZH7-700 | N10     | 192  | 1    | 12391-ZE1-000 | E4      | 42   | 7    | 13310-ZE0-641 | F4      | 58   | 8    | 15600-ZF0-003 | E16     | 54   | 5    | 16100-ZH7-V91 | H15 | 101 | 10 |
| 061A1-ZH7-710 | N10     | 192  | 1    |               |         |      |      | 13310-ZE0-650 | F4      | 58   | 9    | 15600-ZG4-003 | E16     | 54   | 6    | 16100-ZH7-W02 | H14 | 100 | 10 |
| 061A1-ZH7-720 | N10     | 192  | 1    | 13000         |         |      |      | 13310-ZE0-660 | F4      | 58   | 10   |               | F3      | 57   | 26   | 16100-ZH7-W03 | H15 | 101 | 10 |
| 061A1-ZH7-730 | N10     | 192  | 1    |               |         |      |      | 13310-ZE0-670 | F4      | 58   | 11   | 15600-ZK7-U21 | E16     | 54   | 5    | 16100-ZH7-W50 | H14 | 100 | 10 |
| 061A1-ZH7-740 | N10     | 192  | 1    | 13010-ZE6-003 | F6      | 60   | 1    | 13310-ZK7-600 | F5      | 59   | 16   | 15620-ZG4-910 | E16     | 54   | 7    |               | H15 | 101 | 10 |
| 061A1-ZH7-800 | N10     | 192  | 1    | 13010-ZE6-004 | F6      | 60   | 1    | 13310-ZK7-670 | F5      | 59   | 17   | 15620-ZH7-V90 | E16     | 54   | 8    | 16100-ZH7-W51 | H15 | 101 | 10 |
| 061A1-ZH7-811 | N10     | 192  | 1    | 13010-ZE6-013 | F6      | 60   | 1    | 13310-ZK7-880 | F5      | 59   | 18   | 15621-896-010 | F1      | 55   | 10   | 16100-ZH7-W60 | H15 | 101 | 10 |
|               |         |      |      | 13010-ZE6-014 | F7      | 61   | 1    | 13310-ZK7-V00 | F4      | 58   | 12   | 15625-ZE1-000 | F1      | 55   | 11   | 16100-ZH7-W61 | H15 | 101 | 10 |
| 11000         |         |      |      | 13010-ZH7-003 | F9      | 63   | 1    | 13331-357-000 | K15     | 149  | 1    | 15625-ZE1-003 | F1      | 55   | 11   | 16100-ZH7-W71 | H7  | 93  | 10 |
|               |         |      |      | 13010-ZH7-004 | F10     | 64   | 1    |               |         |      |      | 15632-883-630 | F1      | 55   | 12   | 16100-ZH7-W81 | H7  | 93  | 10 |
| 11300-ZE0-000 | E14     | 52   | 1    | 13010-ZK7-V01 | F9      | 63   | 1    | 14000         |         |      |      | 15721-883-030 | E5      | 43   | 8    | 16100-ZK7-801 | H7  | 93  | 10 |
| 11300-ZE0-010 | E14     | 52   | 1    | 13010-ZK7-V02 | F9      | 63   | 1    |               |         |      |      | 15721-ZE1-840 | E5      | 43   | 8    | 16100-ZK7-811 | H15 | 101 | 10 |
| 11300-ZE0-612 | E15     | 53   | 2    | 13011-ZE6-003 | F6      | 60   | 1    | 14100-ZE0-812 | G2      | 72   | 1    | 15721-ZH8-000 | E5      | 43   | 8    | 16100-ZK7-U11 | H16 | 102 | 10 |
| 11300-ZE0-613 | E15     | 53   | 2    | 13011-ZE6-004 | F6      | 60   | 1    | 14100-ZF0-000 | G2      | 72   | 1    |               |         |      |      | 16100-ZK7-U31 | H7  | 93  | 10 |
| 11300-ZE0-632 | E14     | 52   | 1    | 13011-ZE6-013 | F7      | 61   | 1    | 14100-ZH7-B20 | G2      | 72   | 1    | 16000         |         |      |      | 16100-ZK7-U51 | H15 | 101 | 10 |
| 11300-ZE0-633 | E14     | 52   | 1    | 13011-ZE6-014 | F7      | 61   | 1    | 14100-ZK7-800 | G2      | 72   | 2    |               |         |      |      | 16100-ZK7-V00 | H7  | 93  | 10 |
| 11300-ZE0-634 | E14     | 52   | 1    | 13011-ZH7-003 | F11     | 65   | 1    | 14100-ZK7-870 | G2      | 72   | 1    | 16010-ZB1-015 | H6      | 92   | 2    | 16100-ZK7-V01 | H7  | 93  | 10 |
| 11300-ZE0-640 | E14     | 52   | 1    | 13011-ZH7-004 | F11     | 65   | 1    | 14410-ZE0-010 | G2      | 72   | 3    |               | H11     | 97   | 2    | 16106-KW7-900 | J1  | 119 | 18 |
| 11300-ZE0-641 | E15     | 53   | 1    | 13011-ZK7-V01 | F10     | 64   | 1    | 14411-ZE0-611 | M3      | 169  | 3    | 16010-ZE0-025 | H6      | 92   | 2    |               | J8  | 126 | 1  |
| 11300-ZK7-V00 | E15     | 53   | 2    | 13011-ZK7-V02 | F11     | 65   | 1    | 14411-ZH7-V91 | M3      | 169  | 3    | 16010-ZE1-812 | H11     | 97   | 2    | 16124-ZE0-005 | H7  | 93  | 11 |
| 11300-ZK7-V20 | E15     | 53   | 2    | 13012-ZE6-003 | F6      | 60   | 1    | 14411-ZK7-V01 | M5      | 171  | 3    | 16010-ZH7-A20 | H11     | 97   | 2    |               | H16 | 102 | 11 |
| 11300-ZK7-W20 | E15     | 53   | 2    | 13012-ZE6-004 | F6      | 60   | 1    | 14431-ZE1-000 | G2      | 72   | 4    | 16011-ZE0-005 | H6      | 92   | 3    | 16166-ZH7-800 | H16 | 102 | 12 |
| 11347-371-300 | G16     | 86   | 1    | 13012-ZE6-013 | F7      | 61   | 1    | 14441-ZE1-000 | G3      | 73   | 5    |               | H11     | 97   | 3    | 16166-ZH7-820 | H7  | 93  | 12 |
| 11381-ZE0-000 | E15     | 53   | 3    | 13012-ZE6-014 | F8      | 62   | 1    | 14441-ZE1-010 | G3      | 73   | 5    | 16013-ZE0-005 | H6      | 92   | 4    |               | H16 | 102 | 12 |
| 11381-ZH7-800 | E15     | 53   | 3    | 13012-ZH7-003 | F12     | 66   | 1    | 14451-ZE1-003 | G4      | 74   | 6    |               | H12     | 98   | 4    | 16166-ZH7-A50 | H7  | 93  | 12 |
| 11381-ZK7-V00 | E15     | 53   | 3    | 13012-ZH7-004 | F13     | 67   | 1    | 14451-ZE1-013 | G4      | 74   | 6    | 16015-ZE0-831 | H6      | 92   | 5    | 16166-ZH7-V20 | H16 | 102 | 12 |
| 11381-ZK7-W20 | E15     | 53   | 3    | 13012-ZK7-V01 | F11     | 65   | 1    | 14560-ZK7-800 | G4      | 74   | 7    |               | H13     | 99   | 5    | 16166-ZH7-W00 | H16 | 102 | 12 |
| 11500-ZE1-610 | M3      | 169  | 1    | 13012-ZK7-V02 | F12     | 66   | 1    | 14568-ZE1-000 | G5      | 75   | 8    | 16015-ZE1-811 | H6      | 92   | 5    | 16166-ZH7-W50 | H7  | 93  | 12 |
| 11500-ZE1-611 | M3      | 169  | 1    | 13013-ZE6-003 | F6      | 60   | 1    | 14568-ZG9-800 | G5      | 75   | 9    |               | H12     | 98   | 5    |               | I1  | 103 | 12 |
| 11500-ZK7-V00 | M5      | 171  | 1    | 13013-ZE6-004 | F6      | 60   | 1    | 14711-ZF0-000 | G5      | 75   | 10   | 16015-ZH7-A21 | H13     | 99   | 5    | 16173-001-004 | I1  | 103 | 13 |
| 11521-ZE1-610 | M3      | 169  | 2    | 13013-ZE6-013 | F8      | 62   | 1    | 14711-ZF0-010 | G5      | 75   | 10   | 16016-ZE0-005 | H6      | 92   | 6    |               | K12 | 146 | 1  |
| 11521-ZH8-800 | M3      | 169  | 2    |               |         |      |      | 14721-ZE0-810 | G5      | 75   | 11   |               | H13     | 99   | 6    | 16198-ZG0-U00 | K4  | 138 | 2  |
| 11521-ZK7-V00 | M5      | 171  | 2    | 13013-ZE6-014 | F9      | 63   | 1    | 14721-ZF0-000 | G5      | 75   | 11   | 16016-ZH7-W01 | H10     | 96   | 34   | 16199-KCR-000 | K4  | 138 | 3  |
| 11521-ZK7-W20 | M3      | 169  | 2    | 13013-ZH7-003 | F13     | 67   | 1    | 14721-ZH7-810 | G5      | 75   | 11   |               | I10     | 112  | 36   | 16211-ZE0-000 | H7  | 93  | 13 |
|               |         |      |      | 13013-ZH7-004 | F14     | 68   | 1    | 14751-ZF1-000 | G5      | 75   | 12   | 16024-ZE1-811 | H7      | 93   | 7    |               | I1  | 103 | 14 |
| 12000         |         |      |      | 13013-ZK7-V01 | F13     | 67   | 1    | 14771-ZE1-000 | G5      | 75   | 13   |               | H13     | 99   | 7    | 16212-ZH7-000 | H7  | 93  | 14 |
|               |         |      |      | 13013-ZK7-V02 | F13     | 67   | 1    | 14773-ZE1-000 | G5      | 75   | 14   | 16024-ZH7-A20 | H13     | 99   | 7    |               | I1  | 103 | 15 |
| 12000-ZF0-405 | E10     | 48   | 2    | 13101-ZF0-020 | F15     | 69   | 2    | 14781-ZE1-000 | G5      | 75   | 15   | 16028-ZE0-005 | H7      | 93   | 8    | 16212-ZH7-800 | H7  | 93  | 14 |
| 12000-ZF0-415 | E10     | 48   | 2    | 13101-ZF0-901 | F14     | 68   | 2    | 14791-ZE0-010 | G5      | 75   | 16   |               | H13     | 99   | 8    |               | I1  | 103 | 15 |
| 12000-ZF0-425 | E10     | 48   | 2    | 13101-ZH7-000 | F15     | 69   | 2    |               |         |      |      | 16044-ZE0-005 | H7      | 93   | 9    | 16220-ZE1-004 | I1  | 103 | 16 |
| 12000-ZH7-405 | E10     | 48   | 2    | 13101-ZH7-010 | F16     | 70   | 2    | 15000         |         |      |      |               | H14     | 100  | 9    | 16220-ZE1-020 | H7  | 93  | 15 |
| 12000-ZH7-415 | E10     | 48   | 2    | 13102-ZH7-000 | F15     | 69   | 2    | 15422-767-000 | N6      | 188  | 1    | 16080-898-631 | N8      | 190  | 1    |               | I2  | 104 | 16 |
| 12000-ZH7-425 | E11     | 49   | 2    | 13102-ZH7-010 | F16     | 70   | 2    | 15428-767-000 | N6      | 188  | 2    | 16081-471-831 | N8      | 190  | 2    | 16221-ZE0-000 | I2  | 104 | 17 |
| 12204-ZE1-305 | E1      | 39   | 2    | 13103-ZH7-000 | F15     | 69   | 2    | 15500-ZK7-V00 | E15     | 53   | 4    | 16100-ZH7-800 | H14     | 100  | 10   | 16221-ZE1-000 | H8  | 94  | 16 |
| 12204-ZE1-306 | E2      | 40   | 2    | 13103-ZH7-010 | G1      | 71   | 2    | 15510-ZE1-003 | E11     | 49   | 3    | 16100-ZH7-801 | H14     | 100  | 10   |               | I2  | 104 | 17 |
| 12205-ZE1-315 | E2      | 40   | 3    | 13104-ZH7-000 | F15     | 69   | 2    | 15510-ZE1-013 | E11     | 49   | 3    |               | H15     | 101  | 10   | 16221-ZH8-800 | H8  | 94  | 16 |
| 12209-ZH8-003 | G6      | 76   | 21   | 13104-ZH7-010 | G1      | 71   | 2    | 15510-ZE1-023 | E11     | 49   | 3    | 16100-ZH7-810 | H7      | 93   | 10   |               | I2  | 104 | 17 |
| 12210-ZH7-000 | E1      | 39   | 1    | 13111-ZE0-000 | G1      | 71   | 3    |               |         |      |      | 16100-ZH7-811 | H7      | 93   | 10   | 16221-ZH8-801 | H8  | 94  | 16 |
| 12210-ZH7-010 | E1      | 39   | 1    |               |         |      |      | 15510-ZE1-033 | E11     | 49   | 3    |               | H7      | 93   | 10   |               | I3  | 105 | 17 |







# PART NO. INDEX

| Part Number    | Address | Page | Ref. | Part Number    | Address     | Page | Ref. | Part Number    | Address | Page | Ref. | Part Number    | Address     | Page | Ref. |    |
|----------------|---------|------|------|----------------|-------------|------|------|----------------|---------|------|------|----------------|-------------|------|------|----|
| 92000          |         |      |      | J7             |             | 125  | 23   | K9             |         | 143  | 32   | 95701-10016-00 | N5          | 187  | 73   |    |
|                |         |      |      | J8             |             | 126  | 13   | K12            |         | 146  | 20   | 95723-08055-00 | E6          | 44   | 14   |    |
| 92000-08025-0A | F4      | 58   | 13   | K2             |             | 136  | 6    | K13            |         | 147  | 13   | 95900-06012-00 | K1          | 135  | 23   |    |
|                | M4      | 170  | 11   | K3             |             | 137  | 12   | K14            |         | 148  | 10   | 95900-06025-00 | K10         | 144  | 35   |    |
| 92000-08035-0A | M7      | 173  | 24   | K8             |             | 142  | 25   | N8             |         | 190  | 16   |                |             |      |      |    |
| 92101-08020-0A | K3      | 137  | 5    | K13            |             | 147  | 11   | 95002-02100    | K9      | 143  | 33   | 96000          |             |      |      |    |
| 92101-08025-0A | F5      | 59   | 13   | K14            |             | 148  | 8    | 95002-40800-08 | H10     | 96   | 37   |                |             |      |      |    |
|                | M4      | 170  | 11   | L15            |             | 165  | 33   |                | K10     | 144  | 37   | 96100-60010-00 | N5          | 187  | 74   |    |
|                | M5      | 171  | 10   | M1             |             | 167  | 13   |                |         |      |      | 96100-60020-00 | N5          | 187  | 75   |    |
| 92101-08035-0A | M7      | 173  | 24   | M2             |             | 168  | 11   | 95002-40850-08 | K10     | 144  | 38   | 96100-60030-00 | N5          | 187  | 76   |    |
| 92800-12000    | M7      | 173  | 25   | J9             | 94050-06080 | 127  | 9    |                | N9      | 191  | 8    | 96100-60050-00 | M5          | 171  | 14   |    |
|                |         |      |      | E13            | 94050-10000 | 51   | 19   | 95002-41200-08 | N7      | 189  | 17   | 96100-62040-00 | M8          | 174  | 12   |    |
|                |         |      |      | N7             |             | 189  | 5    | 95002-50000    | K9      | 143  | 34   | 96100-62050-00 | M4          | 170  | 13   |    |
|                |         |      |      | J14            | 94101-05000 | 132  | 25   | 95002-80000    | E6      | 44   | 13   |                | M7          | 173  | 31   |    |
| 93404-06020-08 | I15     | 117  | 13   | J14            | 94101-06000 | 132  | 26   | 95003-09023-31 | I10     | 112  | 38   | 96100-62060-00 | M7          | 173  | 32   |    |
|                | J3      | 121  | 11   | E13            | 94101-06800 | 51   | 20   | 95005-35150-10 | F3      | 57   | 23   | 96100-63050-00 | M8          | 174  | 13   |    |
|                | J5      | 123  | 13   | I16            |             | 118  | 15   | 95014-62100    | N7      | 189  | 7    | 96211-06000    | N5          | 187  | 77   |    |
| 93494-06020-08 | I15     | 117  | 13   | J14            | 94103-05700 | 132  | 27   | 95700-06020-00 | J7      | 125  | 24   | 96211-08000    | N5          | 187  | 78   |    |
|                | J3      | 121  | 11   | K1             |             | 135  | 22   | 95700-06055-00 | M7      | 173  | 29   |                |             |      |      |    |
|                | J5      | 123  | 13   | 94103-08700    | K2          | 136  | 11   | 95700-08022-00 | M7      | 173  | 30   | 98000          |             |      |      |    |
| 93500-03006-1H | H9      | 95   | 28   | 94109-12000    | M7          | 173  | 26   | 95700-08032-08 | M8      | 174  | 10   |                |             |      |      |    |
|                | I6      | 108  | 30   | M8             |             | 174  | 9    | 95700-08035-00 | M8      | 174  | 11   | 98079-54841    | E6          | 44   | 15   |    |
| 93500-03008-1G | H9      | 95   | 28   | 94109-14000    | N5          | 187  | 57   | 95701-06008-00 | G13     | 83   | 13   | 98079-54846    | E6          | 44   | 15   |    |
|                | I5      | 107  | 30   | 94111-08000    | M7          | 173  | 27   |                | H5      | 91   | 16   | 98079-54854    | E7          | 45   | 15   |    |
| 93500-04006-0H | L13     | 163  | 29   | 94251-04000    | N5          | 187  | 58   |                |         |      |      | 98079-54855    | E7          | 45   | 15   |    |
| 93500-04008-0A | H9      | 95   | 29   | 94251-08000    | E13         | 51   | 21   | 95701-06010-00 | J9      | 127  | 10   | 98079-55841    | E7          | 45   | 15   |    |
|                | I6      | 108  | 31   | K9             |             | 143  | 28   | 95701-06012-00 | E13     | 51   | 22   | 98079-55846    | E7          | 45   | 15   |    |
| 93500-04020-0A | J8      | 126  | 17   | 94301-08100    | M7          | 173  | 28   |                | J14     | 132  | 29   | 98079-55854    | E7          | 45   | 15   |    |
| 93500-05008-0A | H9      | 95   | 30   | N5             |             | 187  | 59   |                | K1      | 135  | 23   | 98079-55855    | E8          | 46   | 15   |    |
|                | I6      | 108  | 32   | 94301-08140    | F2          | 56   | 21   |                | K3      | 137  | 13   | 98079-56841    | E7          | 45   | 15   |    |
| 93500-05010-0A | J13     | 131  | 21   | M4             |             | 170  | 12   | 95701-06012-08 | N5      | 187  | 64   | 98079-56846    | E7          | 45   | 15   |    |
| 93500-05016-0A | L14     | 164  | 32   | 94301-10120    | N5          | 187  | 60   | 95701-06016-00 | J8      | 126  | 14   | 98079-56854    | E9          | 47   | 15   |    |
| 93500-05025-0H | L13     | 163  | 30   | 94301-10160    | E6          | 44   | 12   |                | K2      | 136  | 7    | 98079-56855    | E8          | 46   | 15   |    |
|                |         |      |      | 94302-05080    | N5          | 187  | 61   |                | N5      | 187  | 65   |                | E9          | 47   | 15   |    |
|                | L14     | 164  | 31   | 94303-08140    | F2          | 56   | 21   | 95701-06016-08 | N5      | 187  | 66   |                |             |      |      |    |
| 93500-05028-0A | L13     | 163  | 31   | M5             |             | 171  | 11   | 95701-06020-00 | I15     | 117  | 13   | 99000          |             |      |      |    |
|                | M2      | 168  | 10   | 94305-20122    | H9          | 95   | 31   |                | J3      | 121  | 11   |                |             |      |      |    |
| 93500-05030-0A | L13     | 163  | 30   | I7             |             | 109  | 33   |                | J5      | 123  | 13   | 99001-10120    | M16         | 182  | 4    |    |
| 93500-05035-0A | M1      | 167  | 12   | 94305-40282    | N5          | 187  | 62   |                | J7      | 125  | 24   |                | N1          | 183  | 11   |    |
| 93600-05010-0A | K10     | 144  | 42   | 94520-30000    | N5          | 187  | 63   |                | J8      | 126  | 15   |                | 99001-10140 | N2   | 184  | 12 |
|                | K12     | 146  | 18   |                |             |      |      | 95701-06025-00 | K2      | 136  | 8    |                | 99001-14170 | M16  | 182  | 5  |
|                | N8      | 190  | 14   |                | 95000       |      |      |                | K10     | 144  | 35   |                | N2          | 184  | 14   |    |
| 93891-06020-07 | J13     | 131  | 22   |                |             |      |      |                | K13     | 147  | 14   | 99004-21001    | N1          | 183  | 9    |    |
|                | K1      | 135  | 20   | 95001-45035-40 | K9          | 143  | 29   | 95701-06025-08 | N5      | 187  | 67   | 99008-02300    | M16         | 182  | 6    |    |
| 93893-04012-07 | J7      | 125  | 22   | 95001-45075-60 | K9          | 143  | 30   | 95701-06032-00 | K13     | 147  | 15   |                | N2          | 184  | 13   |    |
| 93893-05016-00 | L14     | 164  | 32   | 95001-45110-40 | K9          | 143  | 30   |                | N5      | 187  | 68   | 99101-ZF5-0550 | H9          | 95   | 32   |    |
| 93901-26280    | J14     | 132  | 23   | 95001-45140-40 | K9          | 143  | 31   | 95701-06055-00 | M7      | 173  | 29   |                | I7          | 109  | 34   |    |
| 93901-32120    | N7      | 189  | 4    |                | K13         | 147  | 12   | 95701-08012-00 | K2      | 136  | 9    | 99101-ZF5-0580 | H9          | 95   | 32   |    |
|                |         |      |      |                | K14         | 148  | 9    | 95701-08018-00 | K2      | 136  | 10   |                | I7          | 109  | 34   |    |
|                |         |      |      | 95001-45250-40 | N8          | 190  | 15   | 95701-08020-00 | K2      | 136  | 10   | 99101-ZF5-0600 | H9          | 95   | 32   |    |
| 94001-06000-0S | J1      | 119  | 16   | 95001-45300-40 | K9          | 143  | 31   | 95701-08022-00 | M7      | 173  | 30   |                | I7          | 109  | 34   |    |
| 94001-08000-0S | J14     | 132  | 24   |                | K12         | 146  | 19   | 95701-08032-08 | M8      | 174  | 10   | 99101-ZF5-0620 | I7          | 109  | 34   |    |
|                | K1      | 135  | 21   | 95001-45350-40 | K9          | 143  | 31   | 95701-08035-00 | M5      | 171  | 12   | 99101-ZH7-0550 | I7          | 109  | 34   |    |
|                | K2      | 136  | 5    | 95001-45350-60 | K9          | 143  | 29   |                | M8      | 174  | 11   | 99101-ZH7-0580 | I7          | 109  | 34   |    |
|                | K3      | 137  | 6    | 95001-45400-60 | H10         | 96   | 36   | 95701-08045-08 | N5      | 187  | 69   | 99101-ZH7-0600 | H9          | 95   | 32   |    |
|                | I16     | 118  | 14   |                | K9          | 143  | 31   | 95701-08055-00 | M5      | 171  | 13   |                | I7          | 109  | 34   |    |
| 94050-06000    |         |      |      | 95001-45750-40 | K9          | 143  | 31   | 95701-08065-00 | N5      | 187  | 70   | 99101-ZH7-0620 | I7          | 109  | 34   |    |
|                | J3      | 121  | 12   | 95002-02070    | F2          | 56   | 22   | 95701-08070-08 | N5      | 187  | 71   | 99101-ZH7-0650 | I7          | 109  | 34   |    |
|                | J5      | 123  | 14   | 95002-02080    | I10         | 112  | 37   | 95701-08090-08 | N5      | 187  | 72   | 99101-ZH7-0680 | I7          | 109  | 34   |    |
|                |         |      |      |                |             |      |      |                |         |      |      |                |             |      |      |    |

3



# PART NAME INDEX

**2-C 1**

| Part name                            | Address          | Page              | Ref.        | Part name                     | Address          | Page              | Ref.           | Part name                       | Address        | Page            | Ref.           |
|--------------------------------------|------------------|-------------------|-------------|-------------------------------|------------------|-------------------|----------------|---------------------------------|----------------|-----------------|----------------|
| <b>[ A ]</b>                         |                  |                   |             |                               |                  |                   |                |                                 |                |                 |                |
| ALERT UNIT, OIL .....                | G16              | 86                | 2           | BOLT, DRAIN PLUG, 12X15 ..... | M8               | 174               | 7              | BOLT, FLANGE, 8X35 .....        | M8             | 174             | 11             |
|                                      |                  |                   | 3           | BOLT, FLANGE, 10X16 .....     | N5               | 187               | 73             | BOLT, FLANGE, 8X45 .....        | N5             | 187             | 69             |
| ARM COMP., GOVERNOR .....            | H5<br>L15        | 91<br>165         | 17<br>34    | BOLT, FLANGE, 5X10 .....      | L3               | 153               | 11             | BOLT, FLANGE, 8X55 .....        | E6             | 44              | 14             |
|                                      |                  |                   | 35          | BOLT, FLANGE, 6X10 .....      | G14<br>G15<br>J9 | 84<br>85<br>127   | 13<br>16<br>10 | BOLT, FLANGE, 8X65 .....        | M5<br>N5       | 171<br>187      | 13<br>70       |
| ARM COMP., NEUTRAL VALVE .....       | N3               | 185               | 8           | BOLT, FLANGE, 6X12 .....      | E5<br>E13        | 43<br>51          | 9<br>22        | BOLT, FLANGE, 8X70 .....        | N5             | 187             | 71             |
| ARM, CLUTCH .....                    | N4               | 186               | 34          |                               | H5               | 91                | 14             | BOLT, FLANGE, 8X90 .....        | N5             | 187             | 72             |
| ARM, GOVERNOR .....                  | L6<br>L16<br>M2  | 156<br>166<br>168 | 5<br>1<br>4 |                               | J8<br>J14<br>K1  | 126<br>132<br>135 | 15<br>29<br>23 | BOLT, GOVERNOR ARM .....        | L11<br>L16     | 161<br>166      | 23<br>9        |
| ARM, VALVE ROCKER .....              | G2               | 72                | 4           |                               | M1               | 167               | 11             | BOLT, HEX., 5/16" .....         | F4             | 58              | 13             |
| ARRESTER, SPARK .....                | J11<br>J16<br>K3 | 129<br>134<br>137 | 6<br>6<br>2 |                               | M2<br>N5         | 168<br>187        | 8<br>64        | BOLT, HEX., 8X20 .....          | K3             | 137             | 5              |
| <b>[ B ]</b>                         |                  |                   |             |                               |                  |                   |                |                                 |                |                 |                |
| BAG SET, TOOL .....                  | N1               | 183               | 3           | BOLT, FLANGE, 6X13 .....      | E5<br>J14        | 43<br>132         | 9<br>29        | BOLT, HEX., 8X25 .....          | F4<br>F5<br>M4 | 58<br>59<br>170 | 13<br>13<br>11 |
| BAG, TOOL, 230MM .....               | M16              | 182               | 6           |                               | K1               | 135               | 13             | BOLT, HEX., 8X35 .....          | M7             | 173             | 24             |
| BALL, STEEL, .....                   | N2<br>N5         | 184<br>187        | 13<br>77    | BOLT, FLANGE, 6X14 .....      | F1               | 55                | 14             | BOLT, MUDGUARD .....            | J7             | 125             | 18             |
|                                      |                  |                   | 78          | BOLT, FLANGE, 6X16 .....      | F1               | 55                | 16             | BOLT, PIVOT, 8MM .....          | G5             | 75              | 17             |
| BAND B1, WIRE .....                  | N7               | 189               | 7           |                               | J8               | 126               | 14             | BOLT, PLUG, 14MM .....          | N4             | 186             | 35             |
| BAND, AIR CLEANER CONNECTING<br>TUBE | J8               | 126               | 11          | BOLT, FLANGE, 6X20 .....      | K2<br>N5         | 136<br>187        | 7<br>65        | BOLT, STUD, 10X32 .....         | N7             | 189             | 2              |
| BARREL ASSY., CYLINDER .....         | E10<br>E11       | 48<br>49          | 2<br>2      |                               | J3               | 121               | 11             | BOLT, STUD, 10X60 .....         | N7             | 189             | 2              |
| BASE COMP., CONTROL .....            | L9               | 159               | 14          |                               | J5<br>J7         | 123<br>125        | 13<br>24       | BOLT, STUD, 6X109 .....         | E5             | 43              | 10             |
|                                      |                  |                   | 15          |                               | J8               | 126               | 15             | BOLT, STUD, 6X112 .....         | E6             | 44              | 10             |
| BASE COMP., MUFFLER COVER .....      | L10<br>J12       | 160<br>130        | 15<br>12    |                               | J5<br>J7<br>J8   | 123<br>125<br>126 | 13<br>24<br>15 | BOLT, STUD, 6X94 .....          | E5             | 43              | 10             |
|                                      |                  |                   | 11          |                               | L12              | 162               | 25             | BOLT, STUD, 8X32 .....          | E6             | 44              | 11             |
| BEARING SET, THRUST NEEDLE ...       | K1               | 135               | 11          | BOLT, FLANGE, 6X20 .....      | H5<br>I15        | 91<br>117         | 15<br>13       | BOLT, STUD, 8X32 .....          | E6             | 44              | 11             |
| BEARING, RADIAL BALL, 6001 ...       | N3               | 185               | 13          |                               | J3               | 121               | 11             | BOLT, WINKER SETTING .....      | J9             | 127             | 8              |
| BEARING, RADIAL BALL, 6002 ...       | N5               | 187               | 74          |                               | J5<br>J7         | 123<br>125        | 13<br>24       | BOWL SET, CONTROL .....         | N3             | 185             | 11             |
| BEARING, RADIAL BALL, 6003 ...       | N5               | 187               | 75          | BOLT, FLANGE, 6X23 .....      | L3               | 153               | 10             | BOX, TOOL .....                 | N1             | 183             | 1              |
| BEARING, RADIAL BALL, 6005 ...       | N5               | 187               | 76          | BOLT, FLANGE, 6X25 .....      | K2<br>K10        | 136<br>144        | 8<br>35        | BUSH, CONTROL BOWL .....        | N4             | 186             | 33             |
| BEARING, RADIAL BALL, 6005 ...       | N5               | 187               | 76          |                               | K13              | 147               | 14             | <b>[ C ]</b>                    |                |                 |                |
| BEARING, RADIAL BALL, 6204 ...       | M5               | 171               | 14          | BOLT, FLANGE, 6X28 .....      | L4<br>N5         | 154<br>187        | 12<br>67       | CABLE, DOUBLE CONNECTOR .....   | L3             | 153             | 8              |
| BEARING, RADIAL BALL, 6205 ...       | M8               | 174               | 12          |                               | F1               | 55                | 15             | CAMSHAFT ASSY. ....             | G2             | 72              | 1              |
| BEARING, RADIAL BALL, 6205 ...       | M4               | 170               | 13          |                               | L3<br>L4         | 153<br>154        | 9<br>13        | CAP ASSY., FUEL TANK .....      | K13            | 147             | 6              |
| BEARING, RADIAL BALL, 6206 ...       | M7               | 173               | 31          | BOLT, FLANGE, 6X29 .....      | M3<br>K10        | 169<br>144        | 6<br>35        | CAP ASSY., NOISE SUPPRESSOR ... | L3             | 153             | 2              |
| BEARING, RADIAL BALL, 62/22 ..       | M7               | 173               | 32          |                               | K14              | 148               | 11             | CAP ASSY., OIL FILLER .....     | L4             | 154             | 14             |
| BEARING, RADIAL BALL, 62/22 ..       | E11              | 49                | 16          | BOLT, FLANGE, 6X32 .....      | K13              | 147               | 15             |                                 | E15            | 53              | 5              |
|                                      | F1               | 55                | 17          |                               | N5               | 187               | 68             |                                 | E16            | 54              | 5              |
| BEARING, RADIAL BALL, 6305 ...       | M8               | 174               | 13          |                               | L3               | 153               | 9              | CAP COMP., FUEL FILLER .....    | F3             | 57              | 25             |
| BEARING, RADIAL BALL, 6904 ...       | N4               | 186               | 45          | BOLT, FLANGE, 6X32 .....      | L4<br>M3         | 154<br>169        | 13<br>6        |                                 | K5             | 139             | 14             |
| BEARING, THRUST BALL, 51204 ..       | N5               | 187               | 46          |                               | K10<br>K14       | 144<br>148        | 35<br>11       | CAP ASSY., FUEL FILLER .....    | K6             | 140             | 15             |
| BODY, CLEANER .....                  | J4               | 122               | 4           | BOLT, FLANGE, 6X32 .....      | K13              | 147               | 15             |                                 | K10            | 144             | 41             |
| BODY, OIL CAP .....                  | N6               | 188               | 4           |                               | N5               | 187               | 68             |                                 | K11            | 145             | 43             |
| BOLT-WASHER, 6X20 .....              | I15              | 117               | 13          | BOLT, FLANGE, 6X55 .....      | M7               | 173               | 29             |                                 | K12            | 146             | 10             |
|                                      | J3               | 121               | 11          | BOLT, FLANGE, 6X8 .....       | G13              | 83                | 13             |                                 | K14            | 148             | 4              |
|                                      | J5               | 123               | 13          |                               | H5               | 91                | 16             |                                 | N8             | 190             | 7              |
| BOLT, 3X12 .....                     | N7               | 189               | 3           | BOLT, FLANGE, 8X12 .....      | K2               | 136               | 9              | CAP, CLEANER .....              | J3             | 121             | 7              |
| BOLT, BREATHING .....                | M8               | 174               | 6           |                               | K2               | 136               | 10             |                                 | J4             | 122             | 9              |
| BOLT, CHECK VALVE .....              | N4               | 186               | 31          | BOLT, FLANGE, 8X18 .....      | K2               | 136               | 10             | CAP, MUFFLER .....              | J16            | 134             | 5              |
| BOLT, CONNECTING ROD .....           | G1               | 71                | 5           | BOLT, FLANGE, 8X20 .....      | K2               | 136               | 10             | CAP, OIL FILLER .....           | E16            | 54              | 7              |
| BOLT, DRAIN PLUG .....               | E11              | 49                | 12          | BOLT, FLANGE, 8X22 .....      | M7               | 173               | 30             | CAP, PRE AIR CLEANER .....      | J6             | 124             | 12             |
| BOLT, DRAIN PLUG, 12MM .....         | M7               | 173               | 25          | BOLT, FLANGE, 8X32 .....      | M8               | 174               | 10             | CAP, REDUCTION OIL .....        | M6             | 172             | 17             |
|                                      |                  |                   |             | BOLT, FLANGE, 8X35 .....      | M5               | 171               | 12             | CARBURETOR ASSY. ....           | H7             | 93              | 10             |

4

# PART NAME INDEX

| Part name                      | Address | Page | Ref. | Part name                      | Address | Page | Ref. | Part name                        | Address | Page | Ref. |
|--------------------------------|---------|------|------|--------------------------------|---------|------|------|----------------------------------|---------|------|------|
| CARBURETOR ASSY. ....          | H14     | 100  | 10   | CLIP, TUBE .....               | K13     | 147  | 13   | COVER COMP., MUFFLER RR. ....    | K1      | 135  | 10   |
|                                | H15     | 101  | 10   |                                | K14     | 148  | 10   | COVER, AIR CLEANER .....         | I12     | 114  | 4    |
|                                | H16     | 102  | 10   |                                | N8      | 190  | 16   |                                  | J2      | 120  | 3    |
| CASE COMP., AIR CLEANER .....  | J9      | 127  | 4    | CLIP, VALVE GUIDE .....        | E2      | 40   | 4    |                                  | J6      | 124  | 5    |
| CASE COMP., PUMP .....         | N3      | 185  | 14   | CLIP, WATER HOSE .....         | J8      | 126  | 16   |                                  | J9      | 127  | 5    |
| CASE COMP., RECOIL STARTER ... | G8      | 78   | 2    |                                | K9      | 143  | 27   | COVER, GENERATOR FAN .....       | N9      | 191  | 3    |
|                                | G9      | 79   | 2    | CLIP, WIRE HARNESS .....       | H5      | 91   | 21   | COVER, MUFFLER .....             | J12     | 130  | 10   |
|                                | G15     | 85   | 2    |                                | N7      | 189  | 18   | COVER, REDUCTION .....           | M6      | 172  | 3    |
| CASE COMP., RR. TRANSMISSION - | N3      | 185  | 2    | COCK ASSY., FUEL .....         | K12     | 146  | 3    |                                  | M8      | 174  | 3    |
| CASE, PRE AIR CLEANER .....    | J6      | 124  | 11   |                                | N8      | 190  | 3    | CRANKSHAFT COMP. ....            | F4      | 58   | 1    |
| CASE, RECOIL STARTER SPRING .. | G15     | 85   | 10   | COIL ASSY., IGNITION .....     | L2      | 152  | 1    |                                  |         |      |      |
| CASE, REDUCTION .....          | M6      | 172  | 1    |                                | L3      | 153  | 1    |                                  |         |      |      |
|                                | M8      | 174  | 1    | COIL ASSY., LAMP .....         | L3      | 153  | 3    |                                  |         |      |      |
| CENTER, CLUTCH .....           | M6      | 172  | 5    |                                |         |      | 4    |                                  |         |      |      |
| CENTER, CLUTCH WEIGHT .....    | M6      | 172  | 13   |                                |         |      | 5    |                                  |         |      |      |
| CHAIN, DRIVE .....             | M6      | 172  | 15   | COLLAR B, AIR CLEANER .....    | I13     | 115  | 8    |                                  |         |      |      |
| CHAIN, P.T.O. DRIVE .....      | M3      | 169  | 3    |                                | J3      | 121  | 5    |                                  |         |      |      |
|                                | M5      | 171  | 3    |                                | J4      | 122  | 3    |                                  |         |      |      |
| CHAMBER SET, FLOAT .....       | H6      | 92   | 5    |                                | J6      | 124  | 9    |                                  |         |      |      |
|                                | H12     | 98   | 5    |                                | J8      | 126  | 9    |                                  |         |      |      |
|                                | H13     | 99   | 5    | COLLAR, AIR CLEANER .....      | I13     | 115  | 7    |                                  |         |      |      |
| CHOKE KIT, REMOTE CONTROL ---- | H6      | 92   | 1    |                                | J2      | 120  | 4    |                                  |         |      |      |
|                                | H11     | 97   | 1    |                                | J4      | 122  | 2    |                                  | F5      | 59   | 16   |
| CHOKE SET .....                | H7      | 93   | 9    |                                | J6      | 124  | 8    |                                  |         |      |      |
|                                | H14     | 100  | 9    |                                | J8      | 126  | 8    |                                  |         |      |      |
| CIRCLIP, 5MM .....             | H9      | 95   | 27   | COLLAR, AIR CLEANER CASE ..... | J10     | 128  | 1    | CUP, FUEL STRAINER .....         | I5      | 107  | 28   |
|                                | I5      | 107  | 29   |                                | J16     | 134  | 1    |                                  | K12     | 146  | 7    |
|                                | L13     | 163  | 28   | COLLAR, BEVEL GEAR .....       | N5      | 187  | 56   |                                  | N8      | 190  | 2    |
| CIRCLIP, INTERNAL, 30MM .....  | N5      | 187  | 63   | COLLAR, CONTROL BOX .....      | N8      | 190  | 13   | CUSHION, C.D.I. UNIT .....       | N9      | 191  | 10   |
| CLAMPER, CORD .....            | H2      | 88   | 8    | COLLAR, FUEL TANK .....        | K13     | 147  | 10   |                                  |         |      |      |
|                                | L3      | 153  | 6    | COLLAR, LEVER .....            | L15     | 165  | 36   | [ D ]                            |         |      |      |
| CLAMP D, 19MM .....            | N6      | 188  | 5    | COLLAR, STOPPER .....          | L11     | 161  | 19   | DEFLECTOR COMP. ....             | J11     | 129  | 5    |
| CLAMP, CORD .....              | H2      | 88   | 8    |                                | L15     | 165  | 37   |                                  | N7      | 189  | 12   |
| CLAMP, SWITCH CORD .....       | F3      | 57   | 24   |                                | L16     | 166  | 7    | DEFLECTOR, MUFFLER .....         | J12     | 130  | 8    |
|                                | J1      | 119  | 17   | COLLAR, TANK CUSHION .....     | K12     | 146  | 17   |                                  | K1      | 135  | 8    |
| CLAMP, TUBE .....              | H10     | 96   | 37   | COLLAR, WEIGHT CENTER .....    | G5      | 75   | 20   | DISK, CLUTCH FRICTION .....      | M6      | 172  | 6    |
|                                | K10     | 144  | 37   | CONTROL ASSY. ....             | L5      | 155  | 1    | DOWEL PIN, 10X12 .....           | N5      | 187  | 60   |
|                                |         |      | 38   |                                |         |      |      | DOWEL PIN, 10X16 .....           | E6      | 44   | 12   |
|                                | N7      | 189  | 17   |                                | L6      | 156  | 3    | DOWEL PIN, 3X5.8 .....           | N4      | 186  | 43   |
|                                | N9      | 191  | 8    |                                | L16     | 166  | 5    | DOWEL PIN, 8X10 .....            | M7      | 173  | 28   |
| CLAMP, TUBE, 7.5X2 .....       | K9      | 143  | 26   |                                | M2      | 168  | 5    |                                  | N5      | 187  | 59   |
| CLEANER ASSY., AIR .....       | J8      | 126  | 2    | CONTROL UNIT, ENGINE .....     | N9      | 191  | 12   | DOWEL PIN, 8X14 .....            | F2      | 56   | 21   |
| CLIP A, WIRE .....             | J8      | 126  | 4    | CORD, CLUTCH SWITCH .....      | N9      | 191  | 11   |                                  | M4      | 170  | 12   |
| CLIP B, CORD .....             | J1      | 119  | 17   | CORD, STOP SWITCH .....        | H4      | 90   | 12   | DUST SEAL, 9X15X5 .....          | M5      | 171  | 11   |
| CLIP B, TUBE .....             | J1      | 119  | 18   | COVER ASSY., CHAIN CASE .....  | M3      | 169  | 1    |                                  | N5      | 187  | 49   |
|                                | J8      | 126  | 1    |                                | M5      | 171  | 1    | [ E ]                            |         |      |      |
| CLIP B, WIRE .....             | J8      | 126  | 5    | COVER ASSY., CRANKCASE .....   | E14     | 52   | 1    | ELBOW COMP., AIR CLEANER .....   | I14     | 116  | 9    |
| CLIP, BEARING .....            | N4      | 186  | 42   |                                | E15     | 53   | 1    |                                  | J3      | 121  | 6    |
| CLIP, DOUBLE .....             | K9      | 143  | 26   |                                |         |      |      |                                  | J4      | 122  | 8    |
| CLIP, GOVERNOR HOLDER .....    | E11     | 49   | 15   | COVER COMP., AIR CLEANER ..... | J8      | 126  | 7    |                                  | J6      | 124  | 10   |
| CLIP, HARNESS .....            | H5      | 91   | 22   | COVER COMP., FAN .....         | G16     | 86   | 4    |                                  | J8      | 126  | 12   |
| CLIP, PISTON PIN, 13MM .....   | G1      | 71   | 6    |                                | H1      | 87   | 4    | ELEMENT COMP., AIR CLEANER ..... | J8      | 126  | 3    |
| CLIP, TUBE .....               | E6      | 44   | 13   |                                |         |      |      | ELEMENT, AIR CLEANER .....       | I11     | 113  | 2    |
|                                | F2      | 56   | 22   | COVER COMP., HEAD .....        | E3      | 41   | 6    |                                  | J2      | 120  | 1    |
|                                | I10     | 112  | 37   |                                | E4      | 42   | 6    |                                  | J4      | 122  | 6    |
|                                | K9      | 143  | 32   | COVER COMP., MUFFLER .....     | J12     | 130  | 9    |                                  | J4      | 122  | 6    |
|                                |         |      | 33   |                                | K1      | 135  | 9    |                                  | J6      | 124  | 2    |
|                                |         |      | 34   | COVER COMP., MUFFLER RR. ....  | J12     | 130  | 11   |                                  |         |      |      |
|                                | K12     | 146  | 20   |                                |         |      |      |                                  |         |      |      |



# PART NAME INDEX

| Part name                      | Address | Page | Ref. | Part name                       | Address | Page | Ref. | Part name                           | Address | Page | Ref. |
|--------------------------------|---------|------|------|---------------------------------|---------|------|------|-------------------------------------|---------|------|------|
| ELEMENT, AIR CLEANER .....     | J9      | 127  | 2    | GUIDE, GENERATOR AIR .....      | N9      | 191  | 2    | [ L ]                               |         |      |      |
| EMBLEM .....                   | M9      | 175  | 2    | GUIDE, IN. VALVE .....          | E1      | 39   | 2    | LABEL, AIR CLEANER CAUTION .....    | M13     | 179  | 13   |
|                                | M10     | 176  | 2    |                                 | E2      | 40   | 2    | LABEL, AIR CLEANER CAUTION .....    | M15     | 181  | 28   |
|                                | M11     | 177  | 2    | GUIDE, MUFFLER .....            | J13     | 131  | 14   | LABEL, CAUTION .....                | M9      | 175  | 1    |
|                                | M12     | 178  | 7    |                                 | N7      | 189  | 13   | LABEL, E-SPEC .....                 | M14     | 180  | 21   |
| EMBLEM, UPPER .....            | M9      | 175  | 1    | GUIDE, PRE AIR CLEANER .....    | J6      | 124  | 13   | LABEL, FUEL CAUTION .....           | M15     | 181  | 30   |
| END, LOCK .....                | L11     | 161  | 20   | GUIDE, RATCHET .....            | G11     | 81   | 5    | LABEL, FUEL WARNING .....           | M15     | 181  | 29   |
|                                |         |      |      |                                 | G15     | 85   | 9    | LABEL, FUEL WARNING .....           | M11     | 177  | 3    |
| [ F ]                          |         |      |      | [ H ]                           |         |      |      | LABEL, OPERATOR WARNING .....       | M14     | 180  | 22   |
| FAN, COOLING .....             | K15     | 149  | 2    | HANDLE, BOX WRENCH .....        | M16     | 182  | 3    | LABEL, SPEC .....                   | M15     | 181  | 32   |
|                                | N9      | 191  | 4    |                                 | N1      | 183  | 10   | LABEL, SPECIFICATION .....          | M12     | 178  | 6    |
| FILTER ASSY., SUCTION .....    | N3      | 185  | 22   | HEAD COMP., CYLINDER .....      | E1      | 39   | 1    |                                     | M13     | 179  | 14   |
| FILTER COMP., FUEL .....       | K7      | 141  | 17   | HOLDER COMP., OIL SEAL .....    | N3      | 185  | 4    | LEVER COMP., CHOKE .....            | M14     | 180  | 14   |
|                                | K12     | 146  | 12   | HOLDER, BEARING .....           | N3      | 185  | 7    |                                     | H8      | 94   | 19   |
| FILTER, CUP .....              | K12     | 146  | 6    |                                 | N4      | 186  | 29   |                                     | I3      | 105  | 20   |
| FILTER, FUEL .....             | K7      | 141  | 17   | HOLDER, CABLE .....             | H8      | 94   | 22   |                                     | I3      | 105  | 20   |
|                                |         |      | 18   |                                 | I3      | 105  | 23   | LEVER, COCK .....                   | H8      | 94   | 23   |
|                                | K13     | 147  | 9    |                                 | L9      | 159  | 12   |                                     | I3      | 105  | 24   |
|                                | K14     | 148  | 6    | HOLDER, CLUTCH SPRING .....     | M6      | 172  | 10   | LEVER, CONTROL .....                | L7      | 157  | 9    |
|                                | N8      | 190  | 9    | HOLDER, CLUTCH WEIGHT .....     | M6      | 172  | 12   |                                     | L8      | 158  | 9    |
| FILTER, OUTER .....            | I12     | 114  | 3    | HOLDER, CONTROL CABLE .....     | H8      | 94   | 17   | LIFTER, VALVE .....                 | G3      | 73   | 5    |
|                                | J6      | 124  | 3    |                                 | I3      | 105  | 18   |                                     |         |      |      |
|                                | J8      | 126  | 6    | HOLDER, FUEL FILTER .....       | K7      | 141  | 19   | [ M ]                               |         |      |      |
| FILTER, SUCTION .....          | N3      | 185  | 23   | HOLDER, GOVERNOR WEIGHT .....   | E11     | 49   | 6    | MARK A, COMBINATION .....           | M13     | 179  | 8    |
| FLOAT SET .....                | H6      | 92   | 4    | HOLDER, STOP SWITCH CORD .....  | H5      | 91   | 19   | MARK B, COMBINATION .....           | M14     | 180  | 23   |
|                                | H12     | 98   | 4    | HOLDER, WIRE .....              | L11     | 161  | 18   | MARK, AIR CLEANER .....             | M14     | 180  | 16   |
| FLYWHEEL COMP. ....            | K16     | 150  | 5    | HOUSING, TROCHOID .....         | N3      | 185  | 21   | MARK, AIR CLEANER CAUTION .....     | M11     | 177  | 4    |
|                                | L1      | 151  | 5    |                                 |         |      |      | MARK, AIR CLEANER SALES POINT ..... | M15     | 181  | 27   |
|                                |         |      | 6    | [ I ]                           |         |      |      | MARK, CAUTION .....                 | M11     | 177  | 3    |
| [ G ]                          |         |      |      | INSULATOR, CARBURETOR .....     | H7      | 93   | 13   |                                     | M12     | 178  | 6    |
| GASKET KIT .....               | N10     | 192  | 1    |                                 | I1      | 103  | 14   | MARK, CHOKE .....                   | M14     | 180  | 19   |
| GASKET SET .....               | H6      | 92   | 2    | [ J ]                           |         |      |      | MARK, CHOKE .....                   | M11     | 177  | 5    |
|                                | H11     | 97   | 2    | JET SET, PILOT, .....           | H9      | 95   | 33   | MARK, ENGINE OPERATION .....        | M12     | 178  | 5    |
| GASKET, CYLINDER HEAD .....    | E2      | 40   | 5    |                                 | I9      | 111  | 35   | MARK, EX. CAUTION .....             | M14     | 180  | 17   |
|                                | E3      | 41   | 5    | JET, MAIN, .....                | H9      | 95   | 32   | MARK, FIRE DANGER .....             | M14     | 180  | 15   |
| GASKET, MUFFLER .....          | J12     | 130  | 7    |                                 | I7      | 109  | 34   | MARK, FUEL .....                    | M15     | 181  | 24   |
|                                | J16     | 134  | 7    |                                 | I8      | 110  | 34   | MARK, FUEL CAUTION .....            | M11     | 177  | 3    |
|                                | K2      | 136  | 4    |                                 | I9      | 111  | 34   | MARK, FUEL WARNING .....            | M15     | 181  | 26   |
|                                | K3      | 137  | 3    | JOINT, DRAIN .....              | N7      | 189  | 15   |                                     |         |      |      |
|                                |         |      | 4    | JOINT, FUEL .....               | K4      | 138  | 6    | MARK, HEAT CAUTION .....            | M15     | 181  | 33   |
| GAUGE ASSY., FUEL .....        | K10     | 144  | 40   | JOINT, FUEL TANK .....          | K5      | 139  | 9    | MARK, OIL ALERT .....               | M13     | 179  | 8    |
| GAUGE ASSY., THICKNESS .....   | N1      | 183  | 7    |                                 | K14     | 148  | 2    |                                     |         |      |      |
| GAUGE COMP., OIL LEVEL .....   | E16     | 54   | 8    | JOINT, ROD .....                | L15     | 165  | 38   |                                     |         |      |      |
| GAUGE, OIL LEVEL .....         | M6      | 172  | 18   | [ K ]                           |         |      |      |                                     |         |      |      |
| GEAR SET, MOTOR SHAFT & BEVEL  | N3      | 185  | 12   | KEY, 4.78X4.78X38 .....         | F5      | 59   | 15   | MARK, OIL CAUTION .....             | M13     | 179  | 14   |
| GOVERNOR ASSY. ....            | E11     | 49   | 4    |                                 | M6      | 172  | 20   |                                     | M15     | 181  | 35   |
| GRID, AIR CLEANER .....        | J2      | 120  | 2    | KEY, 5MM .....                  | F5      | 59   | 15   | MARK, THROTTLE INDICATION .....     | M13     | 179  | 11   |
|                                | J4      | 122  | 7    |                                 | M4      | 170  | 9    |                                     | M14     | 180  | 20   |
| GRIP .....                     | N1      | 183  | 5    | KEY, 7X7X33 .....               | M6      | 172  | 21   | MARK, TOP .....                     | M9      | 175  | 1    |
| GRIP, STARTER .....            | G13     | 83   | 9    | KEY, SPECIAL WOODRUFF, 25X18 .. | K15     | 149  | 1    | MARK, USE FUEL .....                | M15     | 181  | 25   |
| GROMMET, ADJUSTING COVER ..... | G16     | 86   | 1    | KNOB, RECOIL STARTER .....      | G15     | 85   | 14   |                                     |         |      | 34   |
| GROMMET, AIR CLEANER .....     | I13     | 115  | 5    |                                 |         |      |      | METER ASSY., FUEL .....             | K12     | 146  | 8    |
|                                | J6      | 124  | 7    |                                 |         |      |      |                                     |         |      |      |
| GROMMET, CORD .....            | L3      | 153  | 7    |                                 |         |      |      |                                     |         |      |      |
| GROMMET, DRAIN HOLE .....      | H4      | 90   | 13   |                                 |         |      |      |                                     |         |      |      |
| GUIDE, EX. VALVE .....         | E2      | 40   | 3    |                                 |         |      |      |                                     |         |      |      |

# PART NAME INDEX

| Part name                    | Address | Page | Ref. | Part name                        | Address | Page | Ref. | Part name                       | Address | Page | Ref. |
|------------------------------|---------|------|------|----------------------------------|---------|------|------|---------------------------------|---------|------|------|
| METER ASSY., FUEL .....      | N8      | 190  | 5    | NUT, WING, 6MM .....             | J3      | 121  | 9    | PACKING, PUMP CASE .....        | N3      | 185  | 15   |
| MUFFLER ASSY. ....           | J14     | 132  | 28   |                                  | J5      | 123  | 11   | PACKING, REDUCTION CASE .....   | M6      | 172  | 2    |
| MUFFLER COMP. ....           | J10     | 128  | 2    |                                  | J7      | 125  | 17   |                                 | M8      | 174  | 2    |
|                              | J15     | 133  | 31   | [ O ]                            |         |      |      | PACKING, REDUCTION COVER .....  | M6      | 172  | 4    |
|                              | J16     | 134  | 2    |                                  |         |      |      |                                 | M8      | 174  | 4    |
|                              | K1      | 135  | 24   |                                  |         |      |      | PACKING, RR. TRANSMISSION CASE  | N3      | 185  | 3    |
|                              | K2      | 136  | 1    | OIL SEAL .....                   | M6      | 172  | 22   | PAN, CLEANER OIL .....          | J4      | 122  | 5    |
|                              | K3      | 137  | 1    | OIL SEAL, 15X28X7 .....          | N5      | 187  | 50   | PIN B, DOWEL, 5X8 .....         | N5      | 187  | 61   |
| [ N ]                        |         |      |      | OIL SEAL, 17X30X6 .....          | N5      | 187  | 48   | PIN, GOVERNOR WEIGHT .....      | E11     | 49   | 7    |
| NOSE, SILENCER .....         | I13     | 115  | 6    | OIL SEAL, 22X35X6 .....          | E12     | 50   | 17   | PIN, LOCK, 4MM .....            | N5      | 187  | 58   |
| NOZZLE, MAIN .....           | H7      | 93   | 12   | OIL SEAL, 22X41X6 .....          | F1      | 55   | 18   | PIN, LOCK, 8MM .....            | E13     | 51   | 21   |
|                              | H16     | 102  | 12   |                                  | F2      | 56   | 18   |                                 | K9      | 143  | 28   |
|                              | I1      | 103  | 12   | OIL SEAL, 25X38X7 .....          | M5      | 171  | 9    | PIN, NEUTRAL VALVE .....        | N4      | 186  | 44   |
|                              | G15     | 85   | 13   | OIL SEAL, 25X41X6 .....          | M4      | 170  | 10   | PIN, PISTON .....               | G1      | 71   | 3    |
| NUT .....                    | J3      | 121  | 9    |                                  | M8      | 174  | 8    | PIN, SPRING, 2X12 .....         | H9      | 95   | 31   |
| NUT, AIR CLEANER COVER ..... | J5      | 123  | 11   | O-RING .....                     | K12     | 146  | 5    |                                 | I7      | 109  | 33   |
|                              | J7      | 125  | 17   | O-RING, 11X1.9 .....             | N5      | 187  | 53   | PIN, SPRING, 4X28 .....         | N5      | 187  | 62   |
|                              | J7      | 125  | 17   | O-RING, 11.8X1.9 .....           | N5      | 187  | 55   | PIN, STARTER RATCHET .....      | G15     | 85   | 5    |
| NUT, CAP, 6MM .....          | J3      | 121  | 8    | O-RING, 14MM .....               | E13     | 51   | 18   | PIN, WEIGHT CENTER .....        | G5      | 175  | 19   |
|                              | J5      | 123  | 10   |                                  | K8      | 142  | 24   | PIPE COMP., EX. ....            | K3      | 137  | 10   |
|                              | J7      | 125  | 16   | O-RING, 15.8X2.4 .....           | K14     | 148  | 7    | PIPE COMP., OIL .....           | F1      | 55   | 12   |
| NUT, FLANGE, 10MM .....      | E13     | 51   | 19   | O-RING, 16MM .....               | F2      | 56   | 20   | PISTON .....                    | F14     | 68   | 2    |
|                              | N7      | 189  | 5    | O-RING, 25X2.4 .....             | F2      | 56   | 19   |                                 | F15     | 69   | 2    |
| NUT, FLANGE, 6MM .....       | N7      | 189  | 5    | O-RING, 25X2.4 .....             | N5      | 187  | 51   |                                 | F16     | 70   | 2    |
|                              | I16     | 118  | 14   | O-RING, 26X2.7 .....             | M7      | 173  | 23   |                                 | G1      | 71   | 2    |
|                              | J3      | 121  | 12   | O-RING, 34.6X1.9 .....           | N5      | 187  | 52   | PISTON, PUMP .....              | N3      | 185  | 17   |
|                              | J5      | 123  | 14   | O-RING, 5.8X1.9 .....            | N5      | 187  | 54   | PIVOT, ROCKER ARM .....         | G4      | 74   | 6    |
|                              | J7      | 125  | 23   | [ P ]                            |         |      |      | PLATE COMP., CLUTCH PRESSURE .. | M6      | 172  | 8    |
|                              | J8      | 126  | 13   | PACKING SET, COCK .....          | N8      | 190  | 1    | PLATE COMP., DISTRIBUTOR .....  | N4      | 186  | 28   |
|                              | J9      | 127  | 9    | PACKING, AIR CLEANER .....       | J9      | 127  | 1    | PLATE COMP., SIDE .....         | H1      | 87   | 6    |
|                              | K2      | 136  | 6    | PACKING, AIR CLEANER COVER ..... | J6      | 124  | 4    |                                 | H2      | 88   | 7    |
|                              | K3      | 137  | 12   | PACKING, CARBURETOR .....        | H8      | 94   | 16   | PLATE SET, MOTOR CYLINDER ..... | N3      | 185  | 10   |
|                              | K8      | 142  | 25   |                                  | I2      | 104  | 17   | PLATE SET, PUMP CYLINDER .....  | N3      | 185  | 9    |
|                              | K13     | 147  | 11   | PACKING, CASE COVER .....        | I3      | 105  | 17   | PLATE, CLUTCH .....             | M6      | 172  | 7    |
|                              | K14     | 148  | 8    | PACKING, CHAIN CASE .....        | E15     | 53   | 3    | PLATE, EMBLEM .....             | M9      | 175  | 2    |
|                              | L15     | 165  | 33   | PACKING, CHAIN CASE COVER .....  | M3      | 169  | 2    | PLATE, FAN SETTING .....        | N9      | 191  | 1    |
|                              | M1      | 167  | 13   |                                  | M3      | 169  | 2    | PLATE, FILTER CAP .....         | N3      | 185  | 25   |
|                              | M2      | 168  | 11   | PACKING, ELBOW .....             | M5      | 171  | 2    | PLATE, FRICTION .....           | G15     | 85   | 6    |
| NUT, FLANGE, 8MM .....       | J14     | 132  | 24   |                                  | I11     | 113  | 1    | PLATE, FUEL INDICATION .....    | K12     | 146  | 15   |
| NUT, HEX., 5MM .....         | J13     | 131  | 20   | PACKING, FUEL CAP .....          | K13     | 147  | 8    | PLATE, LEVER SETTING .....      | M14     | 180  | 18   |
|                              | K1      | 135  | 19   | PACKING, FUEL COCK .....         | H9      | 95   | 26   | PLATE, PRE AIR CLEANER .....    | J6      | 124  | 14   |
| NUT, HEX., 6MM .....         | J1      | 119  | 16   | PACKING, FUEL FILLER CAP .....   | K7      | 141  | 16   | PLATE, PUSH ROD GUIDE .....     | J7      | 125  | 15   |
| NUT, HEX., 8MM .....         | J14     | 132  | 24   |                                  | I5      | 107  | 27   | PLATE, SIDE .....               | H1      | 87   | 6    |
|                              | K1      | 135  | 21   | PACKING, FUEL STRAINER CUP ..... | K11     | 145  | 44   |                                 | H2      | 88   | 7    |
|                              | K2      | 136  | 5    |                                  | K12     | 146  | 11   | PLUG, SPARK .....               | E6      | 44   | 15   |
|                              | K3      | 137  | 6    | PACKING, HEAD COVER .....        | K14     | 148  | 5    |                                 | E7      | 45   | 15   |
| NUT, OIL FILLER .....        | F1      | 55   | 13   | PACKING, INSULATOR .....         | N8      | 190  | 8    | PROTECTOR, LOWER .....          | J11     | 129  | 4    |
| NUT, PIVOT ADJUSTING .....   | G5      | 75   | 18   |                                  | I1      | 103  | 13   | PROTECTOR, MUFFLER .....        | J11     | 129  | 3    |
| NUT, SELF-LOCK, 6MM .....    | L13     | 163  | 26   | PACKING, OIL FILLER CAP .....    | F1      | 55   | 10   |                                 | J16     | 134  | 4    |
| NUT, SPECIAL, 14MM .....     | L1      | 151  | 7    |                                  |         |      |      | PROTECTOR, MUFFLER INNER .....  | K3      | 137  | 8    |
| NUT, TOOL BOX SETTING .....  | I15     | 117  | 12   |                                  |         |      |      | PROTECTOR, MUFFLER OUTER .....  | J16     | 134  | 4    |
|                              | J3      | 121  | 10   |                                  |         |      |      |                                 | K3      | 137  | 7    |
|                              | J5      | 123  | 12   |                                  |         |      |      | PROTECTOR, OIL TUBE .....       | N6      | 188  | 2    |
|                              | J7      | 125  | 20   |                                  |         |      |      | PROTECTOR, TAIL PIPE .....      | J15     | 133  | 32   |
|                              |         |      | 21   |                                  |         |      |      |                                 |         |      |      |
| NUT, U, 6MM .....            | J7      | 125  | 19   |                                  |         |      |      |                                 |         |      |      |
| NUT, WING, 6MM .....         | I15     | 117  | 11   |                                  |         |      |      |                                 |         |      |      |



# PART NAME INDEX

| Part name                      | Address | Page | Ref. | Part name                   | Address | Page | Ref. | Part name                       | Address | Page | Ref. |
|--------------------------------|---------|------|------|-----------------------------|---------|------|------|---------------------------------|---------|------|------|
| PROTECTOR, UPPER .....         | J11     | 129  | 3    | [ S ]                       |         |      |      | SCREW, TAPPING, 5X25 .....      | J13     | 131  | 17   |
| PULLEY COMP., STARTER .....    | K15     | 149  | 3    | SCREEN SET .....            | K4      | 138  | 8    | SCREW, TAPPING, 5X8 .....       | K1      | 135  | 16   |
| PULLEY, RECOIL STARTER .....   | G15     | 85   | 3    | SCREEN, FUEL STRAINER ..... | N8      | 190  | 4    | SCREW, TAPPING, 5X8 .....       | J13     | 131  | 15   |
| PULLEY, STARTER .....          | K16     | 150  | 4    | SCREW-WASHER, 4X12 .....    | K12     | 146  | 4    |                                 |         |      |      |
| PULLEY, WHEEL DRIVEN .....     | N3      | 185  | 5    | SCREW-WASHER, 5X16 .....    | J7      | 125  | 22   |                                 |         |      |      |
|                                |         |      |      | SCREW-WASHER, 6X20 .....    | L14     | 164  | 32   | SCREW, TAPPING, 6X16 .....      | J14     | 132  | 23   |
| [ R ]                          |         |      |      | SCREW-WASHER, 6X20 .....    | J13     | 131  | 22   | SCREW, THROTTLE STOP .....      | H7      | 93   | 11   |
| RATCHET, STARTER .....         | G9      | 79   | 4    |                             | K1      | 135  | 20   |                                 | H16     | 102  | 11   |
|                                | G10     | 80   | 4    | SCREW SET .....             | H7      | 93   | 8    | SEAL, AIR CLEANER .....         | J9      | 127  | 7    |
|                                | G15     | 85   | 4    | SCREW SET, DRAIN .....      | H13     | 99   | 8    | SEAL, MUFFLER PROTECTOR .....   | K3      | 137  | 9    |
| REEL, RECOIL STARTER .....     | G9      | 79   | 3    | SCREW SET, PILOT .....      | H7      | 93   | 7    | SEAL, RUBBER .....              | N3      | 185  | 24   |
| RETAINER, EX. VALVE SPRING ... | G5      | 75   | 14   |                             | H13     | 99   | 7    | SEAL, VALVE STEM .....          | G6      | 76   | 21   |
| RETAINER, IN. VALVE SPRING ... | G5      | 75   | 13   | SCREW SET, PILOT .....      | H6      | 92   | 6    | SEAT, RELIEF VALVE .....        | N4      | 186  | 27   |
| RING SET, PISTON .....         | F6      | 60   | 1    |                             | H10     | 96   | 34   | SEPARATOR, AIR CLEANER .....    | J9      | 127  | 3    |
|                                | F7      | 61   | 1    | SCREW, FLAT, 5X10 .....     | H13     | 99   | 6    | SHAFT COMP., P.T.O. ....        | M6      | 172  | 16   |
|                                | F8      | 62   | 1    |                             | I10     | 112  | 36   | SHAFT, CROSS .....              | N3      | 185  | 6    |
|                                | F9      | 63   | 1    | SCREW, LOCK PAN .....       | K10     | 144  | 42   | SHAFT, GOVERNOR ARM .....       | E11     | 49   | 9    |
|                                | F10     | 64   | 1    |                             | K12     | 146  | 18   | SHAFT, PUMP .....               | N3      | 185  | 16   |
|                                | F11     | 65   | 1    |                             | N8      | 190  | 14   | SHAFT, P.T.O. ....              | M3      | 169  | 5    |
|                                | F12     | 66   | 1    | SCREW, PAN, 3X6 .....       | L13     | 163  | 27   |                                 | M5      | 171  | 5    |
|                                | F13     | 67   | 1    |                             |         |      | 30   |                                 | M8      | 174  | 5    |
|                                | F14     | 68   | 1    | SCREW, PAN, 3X8 .....       | H9      | 95   | 28   | SHAFT, SCREW DRIVER .....       | N1      | 183  | 4    |
| RING, SEAL .....               | N7      | 189  | 11   |                             | I6      | 108  | 30   | SHAFT, SUB .....                | G15     | 85   | 12   |
| ROD ASSY., CONNECTING .....    | G1      | 71   | 4    | SCREW, PAN, 4X20 .....      | H9      | 95   | 28   | SHIM A, BEVEL GEAR .....        | N4      | 186  | 41   |
| ROD, GOVERNOR .....            | L7      | 157  | 6    |                             | I5      | 107  | 30   | SHIM B, BEVEL GEAR .....        | N4      | 186  | 41   |
|                                | L15     | 165  | 39   | SCREW, PAN, 4X6 .....       | J8      | 126  | 17   | SHIM C, BEVEL GEAR .....        | N4      | 186  | 41   |
|                                | L16     | 166  | 2    | SCREW, PAN, 4X8 .....       | L13     | 163  | 29   | SHIM D, BEVEL GEAR .....        | N4      | 186  | 41   |
|                                | M2      | 168  | 2    |                             | H9      | 95   | 29   | SHIM E, BEVEL GEAR .....        | N4      | 186  | 41   |
| ROD, PUSH .....                | G2      | 72   | 3    | SCREW, PAN, 5X10 .....      | I6      | 108  | 31   | SHIM F, BEVEL GEAR .....        | N4      | 186  | 41   |
| ROLLER, 2.5X11.8 .....         | N5      | 187  | 47   | SCREW, PAN, 5X16 .....      | J13     | 131  | 21   | SHROUD COMP. ....               | H3      | 89   | 9    |
| ROPE, RECOIL STARTER .....     | G13     | 83   | 10   | SCREW, PAN, 5X25 .....      | L14     | 164  | 32   | SLIDER, GOVERNOR .....          | E11     | 49   | 8    |
|                                | G15     | 85   | 15   |                             | L13     | 163  | 30   | SPACER COMP., CARBURETOR .....  | H7      | 93   | 15   |
| ROPE, STARTER .....            | G13     | 83   | 11   |                             |         |      | 31   |                                 | I1      | 103  | 16   |
| ROTATOR, VALVE .....           | G5      | 75   | 15   | SCREW, PAN, 5X28 .....      | L14     | 164  | 31   |                                 | I2      | 104  | 16   |
| ROTOR, TROCHOID .....          | N3      | 185  | 19   |                             | L13     | 163  | 31   | SPACER, CONTROL LEVER .....     | L9      | 159  | 13   |
| RUBBER, BOTTOM .....           | E13     | 51   | 23   | SCREW, PAN, 5X30 .....      | M2      | 168  | 10   | SPACER, MUFFLER COVER .....     | J13     | 131  | 13   |
|                                | K12     | 146  | 14   |                             | L13     | 163  | 30   |                                 | K1      | 135  | 12   |
|                                | N9      | 191  | 9    | SCREW, PAN, 5X35 .....      | M1      | 167  | 12   | SPANNER, 10X12 .....            | M16     | 182  | 4    |
| RUBBER, CONTROL BOX .....      | N8      | 190  | 11   | SCREW, PAN, 5X8 .....       | H9      | 95   | 30   |                                 | N1      | 183  | 11   |
| RUBBER, FR. BOTTOM .....       | E11     | 49   | 10   |                             | I6      | 108  | 32   | SPANNER, 10X14 .....            | N2      | 184  | 12   |
| RUBBER, FUEL .....             | K7      | 141  | 23   | SCREW, RECESSED, 5X25 ..... | L12     | 162  | 24   | SPANNER, 14X17 .....            | M16     | 182  | 5    |
|                                | K8      | 142  | 23   |                             | L13     | 163  | 30   |                                 | N2      | 184  | 14   |
|                                | N8      | 190  | 12   | SCREW, RECESSED, 5X28 ..... | L16     | 166  | 10   | SPONGE, FUEL CAP BREATHER ..... | K13     | 147  | 7    |
| RUBBER, RR. BOTTOM .....       | E11     | 49   | 11   | SCREW, RECESSED, 5X28 ..... | L11     | 161  | 24   | SPOOL, NEUTRAL VALVE .....      | N4      | 186  | 30   |
| RUBBER, SUPPORTER .....        | H10     | 96   | 35   | SCREW, SETTING .....        | G13     | 83   | 12   | SPRING, CABLE RETURN .....      | L11     | 161  | 17   |
|                                | K4      | 138  | 1    | SCREW, TAPPING, 3X8 .....   | N7      | 189  | 4    |                                 | M2      | 168  | 7    |
|                                |         |      | 4    | SCREW, TAPPING, 4X6 .....   | J13     | 131  | 18   | SPRING, CHECK VALVE .....       | N4      | 186  | 32   |
|                                | K12     | 146  | 2    |                             |         |      | 19   | SPRING, CLUTCH FREE .....       | M6      | 172  | 9    |
|                                | K13     | 147  | 1    |                             | J15     | 133  | 30   | SPRING, COCK LEVER .....        | H9      | 95   | 25   |
|                                | K14     | 148  | 1    |                             |         |      | 33   |                                 | I5      | 107  | 26   |
| RUBBER, TANK CUSHION .....     | K7      | 141  | 20   | SCREW, TAPPING, 4X8 .....   | K1      | 135  | 17   | SPRING, CONTROL ADJUSTING ..... | L10     | 160  | 16   |
|                                | K12     | 146  | 16   |                             |         |      | 18   |                                 | L16     | 166  | 6    |
| RUBBER, TANK MOUNTING .....    | K12     | 146  | 13   |                             | N7      | 189  | 14   | SPRING, FRICTION .....          | G11     | 81   | 6    |
|                                | N8      | 190  | 10   | SCREW, TAPPING, 5X14 .....  | J13     | 131  | 19   |                                 | G15     | 85   | 7    |
| RUBBER, TANK SETTING .....     | K13     | 147  | 2    |                             | K1      | 135  | 18   | SPRING, GOVERNOR .....          | L7      | 157  | 7    |
|                                |         |      | 3    | SCREW, TAPPING, 5X18 .....  | N7      | 189  | 14   |                                 | L16     | 166  | 3    |
|                                |         |      |      |                             | N9      | 191  | 5    |                                 | M2      | 168  | 3    |
|                                |         |      |      | SCREW, TAPPING, 5X18 .....  | N9      | 191  | 6    |                                 |         |      |      |

# PART NAME INDEX

| Part name                       | Address | Page | Ref. | Part name                        | Address | Page | Ref. | Part name                      | Address | Page | Ref. |
|---------------------------------|---------|------|------|----------------------------------|---------|------|------|--------------------------------|---------|------|------|
| SPRING, LEVER .....             | L8      | 158  | 10   | TUBE, AIR CLEANER CONNECTING ..  | J8      | 126  | 10   | WIRE, LOCK .....               | L11     | 161  | 21   |
| SPRING, PISTON .....            | N3      | 185  | 18   | TUBE, BREATHER .....             | E5      | 43   | 8    | WRENCH COMP., SPARK PLUG ..... | M16     | 182  | 2    |
| SPRING, RECOIL STARTER .....    | G11     | 81   | 7    | TUBE, DRAIN .....                | N7      | 189  | 16   |                                | N1      | 183  | 9    |
|                                 | G15     | 85   | 8    | TUBE, FUEL, 4.5X110 .....        | K9      | 143  | 30   | WRENCH, BOX .....              | N1      | 183  | 8    |
| SPRING, RELIEF VALVE .....      | N4      | 186  | 26   | TUBE, FUEL, 4.5X140 .....        | K9      | 143  | 31   |                                |         |      |      |
| SPRING, RETURN .....            | G12     | 82   | 8    |                                  | K13     | 147  | 12   | WRENCH, PLUG .....             | N1      | 183  | 8    |
|                                 | H8      | 94   | 21   |                                  | K14     | 148  | 9    |                                |         |      |      |
|                                 | I3      | 105  | 22   | TUBE, FUEL, 4.5X250 .....        | N8      | 190  | 15   |                                |         |      |      |
| SPRING, THROTTLE RETURN .....   | L7      | 157  | 8    | TUBE, FUEL, 4.5X300 .....        | K9      | 143  | 31   |                                |         |      |      |
|                                 | L16     | 166  | 4    |                                  | K12     | 146  | 19   |                                |         |      |      |
|                                 | M2      | 168  | 4    | TUBE, FUEL, 4.5X35 .....         | K9      | 143  | 29   |                                |         |      |      |
| SPRING, THRUST .....            | M4      | 170  | 7    | TUBE, FUEL, 4.5X350 .....        | K9      | 143  | 29   |                                |         |      |      |
|                                 | M5      | 171  | 7    |                                  |         |      |      |                                |         |      |      |
| SPRING, VALVE .....             | G5      | 75   | 12   | TUBE, FUEL, 4.5X400 .....        | H10     | 96   | 36   |                                |         |      |      |
| SPRING, WEIGHT RETURN .....     | G5      | 75   | 8    |                                  | K9      | 143  | 31   |                                |         |      |      |
|                                 |         |      | 9    | TUBE, FUEL, 4.5X75 .....         | K9      | 143  | 30   |                                |         |      |      |
| SPROCKET COMP., DRIVE .....     | M6      | 172  | 14   | TUBE, FUEL, 4.5X750 .....        | K9      | 143  | 31   |                                |         |      |      |
| SPROCKET, DRIVE .....           | M3      | 169  | 4    | TUBE, OIL .....                  | N6      | 188  | 1    |                                |         |      |      |
|                                 | M5      | 171  | 4    | TUBE, VINYL, 4.5X8X230 .....     | I10     | 112  | 38   |                                |         |      |      |
| STARTER ASSY., RECOIL .....     | G7      | 77   | 1    |                                  |         |      |      |                                |         |      |      |
|                                 | G8      | 78   | 1    | [ V ]                            |         |      |      |                                |         |      |      |
|                                 | G15     | 85   | 1    | VALVE SET, FLOAT .....           | H6      | 92   | 3    |                                |         |      |      |
| STAY COMP., MUFFLER .....       | K2      | 136  | 2    |                                  | H11     | 97   | 3    |                                |         |      |      |
|                                 |         |      | 3    | VALVE, EX. ....                  | G5      | 75   | 11   |                                |         |      |      |
| STAY, AIR CLEANER .....         | J9      | 127  | 6    | VALVE, IN. ....                  | G5      | 75   | 10   |                                |         |      |      |
| STAY, CHOKE CONTROL .....       | H8      | 94   | 18   | VANE, TROCHOID .....             | N3      | 185  | 20   |                                |         |      |      |
|                                 | I3      | 105  | 19   |                                  |         |      |      |                                |         |      |      |
| STAY, CORD CLIP .....           | F3      | 57   | 28   | [ W ]                            |         |      |      |                                |         |      |      |
|                                 | H5      | 91   | 20   | WASHER, 6X17 .....               | N4      | 186  | 37   |                                |         |      |      |
| STAY, FUEL TANK .....           | K13     | 147  | 5    | WASHER, 8MM .....                | F5      | 59   | 14   |                                |         |      |      |
| STAY, MUFFLER .....             | J16     | 134  | 3    |                                  | M4      | 170  | 8    |                                |         |      |      |
|                                 | K3      | 137  | 11   |                                  | M5      | 171  | 8    |                                |         |      |      |
| STRAINER COMP., FUEL .....      | K4      | 138  | 5    | WASHER, AIR DUCT .....           | K7      | 141  | 21   |                                |         |      |      |
|                                 |         |      | 7    | WASHER, CAMSHAFT SIDE .....      | N4      | 186  | 36   |                                |         |      |      |
|                                 | N9      | 191  | 7    | WASHER, CONTROL LEVER .....      | L9      | 159  | 11   |                                |         |      |      |
| SUB HARNESS .....               | H3      | 89   | 10   | WASHER, DRAIN PLUG, 10.2MM ..... | E11     | 49   | 14   |                                |         |      |      |
| SWITCH ASSY., CLUTCH .....      | N9      | 191  | 13   | WASHER, DRAIN PLUG, 12MM .....   | M7      | 173  | 26   |                                |         |      |      |
| SWITCH ASSY., ENGINE STOP ..... | H3      | 89   | 11   |                                  | M8      | 174  | 9    |                                |         |      |      |
|                                 | N7      | 189  | 1    | WASHER, DRAIN PLUG, 14MM .....   | N5      | 187  | 57   |                                |         |      |      |
| SWITCH ASSY., OIL LEVEL .....   | E11     | 49   | 3    | WASHER, PLAIN, 15MM .....        | N4      | 186  | 40   |                                |         |      |      |
|                                 |         |      |      | WASHER, PLAIN, 5MM .....         | J14     | 132  | 25   |                                |         |      |      |
| [ T ]                           |         |      |      |                                  |         |      |      |                                |         |      |      |
| TANK ASSY., FUEL .....          | K10     | 144  | 39   |                                  | K1      | 135  | 22   |                                |         |      |      |
| TANK ASSY., OIL .....           | E15     | 53   | 4    | WASHER, PLAIN, 6MM .....         | E13     | 51   | 20   |                                |         |      |      |
|                                 | N6      | 188  | 3    |                                  | I16     | 118  | 15   |                                |         |      |      |
| TANK COMP., FUEL .....          | K5      | 139  | 12   |                                  | J14     | 132  | 26   |                                |         |      |      |
|                                 | K12     | 146  | 9    | WASHER, PLAIN, 8MM .....         | K2      | 136  | 11   |                                |         |      |      |
|                                 | K13     | 147  | 4    | WASHER, SEALING, 9X16X1.5 .....  | N4      | 186  | 38   |                                |         |      |      |
|                                 | K14     | 148  | 3    | WASHER, SPRING, 8MM .....        | M7      | 173  | 27   |                                |         |      |      |
|                                 | N8      | 190  | 6    | WASHER, STARTER .....            | G15     | 85   | 11   |                                |         |      |      |
| TERMINAL ASSY., HIGH TENSION .. | L3      | 153  | 2    | WASHER, THRUST, 18MM .....       | M6      | 172  | 19   |                                |         |      |      |
| TOOL KIT .....                  | M16     | 182  | 1    | WASHER, THRUST, 20X1.00 .....    | M5      | 171  | 6    |                                |         |      |      |
|                                 | N1      | 183  | 3    | WASHER, THRUST, 6MM .....        | E11     | 49   | 13   |                                |         |      |      |
|                                 | N2      | 184  | 15   | WASHER, THRUST, 8MM .....        | N4      | 186  | 39   |                                |         |      |      |
| TRANSMISSION ASSY. ....         | N3      | 185  | 1    | WEIGHT COMP., DECOMPER .....     | G4      | 74   | 7    |                                |         |      |      |
| TUBE .....                      | K4      | 138  | 3    | WEIGHT, CLUTCH .....             | M6      | 172  | 11   |                                |         |      |      |
| TUBE A, AIR VENT .....          | K4      | 138  | 2    | WEIGHT, GOVERNOR .....           | E11     | 49   | 5    |                                |         |      |      |
| TUBE, 3.5X150 .....             | F3      | 57   | 23   |                                  |         |      |      |                                |         |      |      |



---

**1**

**FOREWORD INDEX**

---

**2**

**ENGINE GROUP**

---

**3**

**PART NUMBER INDEX**

---

**4**

**PART NAME INDEX**

---

**HONDA**  
The Power of Dreams





# PARTS CATALOGUE NEWS

Honda Motor Co., Ltd. Service Division

## PARTS CATALOGUE - CORRECTED

Printed in Japan

|                       |              |             |
|-----------------------|--------------|-------------|
| CODE NO.              | BOOKLET TYPE | 13ZH70E9    |
|                       | MICRO-FICHE  | 13ZH70EI/FI |
| PARTS CATALOGUE TITLE | GX120K1      |             |
| NEWS NO.              | 001          |             |

| Block No. | Ref. No. | Note | Part No.        | Description  | Reqd. QTY |     |     |     | Serial No. | Parts catalogue code   |
|-----------|----------|------|-----------------|--|-----------|-----|-----|-----|------------|--|
|           |          |      |                 |  | (1)       | (2) | (3) | (4) |            |  |
| E-17      | 12       | T    | 17510-ZE0-020ZA | TANK COMP., FUEL<br>*NH31*. . . . . MCKINLEY WHITE | 1         | -   | -   | -   | -----      | DS, HH, HHQ4, HTF2, HT2, HX, HXQ, HXU, HX2, HX26, HX4, LAJ4, LD, LDB1, LDB3, LD4, LE, LH, LHQ4, LJ, LJC, LJS, LJT, LSJ, LSJ4, LTA, LTJ, LTK1, LW2, LX, LXU, LX2, LX26, LX4, PH, PM, PM2, PX, QA, QAA2, QA2, QA26, QBU2, QD, QE, QH, QHQ4, QH2, QH26, QJW1, QLL, QM, QMA4, QMA8, QME4, QMH, QMX2, QPU, QSJ, QT, QTC2, QWA4, QX, QXC, QXC9, QXG, QXG2, QXQ, QXS, QXS2, QXU, QX2, QX26, QX4, QX7, RD, RD4, RH, RHQ4, RX, RX4, SAD2, SAJ, SAJ4, SCJ, SD, SDB1, SDB3, SD16, SD4, SE, SH, SHQ4, SJ, SJC, SJC1, SJC5, SMA7, SMW2, SN, STP, STS, SW2, SX, SXS4, SX4, SX7, TH, TX, TX2, TX26, TX4, UH, UX, UXU, VA, VED, VED1, VED6, VET, VEX, VEX7, VH, VMS4, VS, VXS, VXS1, VX, VXU, VX4, VX7, WDA6, WDJ, WD12, WJ, WJP, WJP1, WKD6, WKT2, WKT4, WKT6, WMA3, WME2, WME4 |
|           |          |      |                 |  |           |     |     |     |            | - (1) 1 1  |
|           | E        |      | 17510-ZF0-T00ZA | *PARTS NO. DELETION                                |           |     |     |     |            |  |

NOTE A:PART NO. CHANGE D:NEWLY PROVIDED E:PART NO.DELETION K:REQUIRED NO. CORRECTION L:APPLICATION SERIAL NO. CORRECTION  
T:APPLICATION CORRECTION Z:REMARKS CHANGE



# PARTS CATALOGUE NEWS

Honda Motor Co., Ltd. Service Division

## PARTS CATALOGUE - CORRECTED

Printed in Japan

|                       |              |             |
|-----------------------|--------------|-------------|
| CODE NO.              | BOOKLET TYPE | 13ZH70E9    |
|                       | MICRO-FICHE  | 13ZH70EI/FI |
| PARTS CATALOGUE TITLE | GX120K1      |             |
| NEWS NO.              | 002          |             |

| Block No. | Ref. No. | Note | Part No.        | Description  | Reqd. QTY |     |     |     | Serial No.    | Parts catalogue code |  |
|-----------|----------|------|-----------------|--|-----------|-----|-----|-----|---------------|----------------------|--|
|           |          |      |                 |  | (1)       | (2) | (3) | (4) |               |                      |  |
| E-11      | 1        |      | 28400-ZH8-R10ZA | STARTER ASSY., RECOIL (TURFCO)<br>*R8*..... BRIGHT RED | 1         | -   | -   | -   | ----- 4142769 | LAJ4                 |  |
|           |          | A    | 28400-ZH8-R10ZD | *R280*..... POWER RED                                  | 1         | -   | -   | -   | 4142770 ----- | LAJ4                 |  |
|           | 2        | L    | 28410-ZH8-003ZA | CASE COMP., RECOIL STARTER<br>*R8*..... BRIGHT RED     | 1         | (1) | -   | -   | -----         | -----                | EN, ET, ETX, HH, HXQ, LDB1, LDB3, LD4, LE, LEH4, LJT, LTA, LW2<br>LX26, PH, PM, PM2, QAA2, QA26, QBU2, QE, QEH, QH2, QJW1, QMH<br>QPU, QSJ, QTC2, QWA4, QXC, QXG, QXG2, QXQ, QXS, RH, SAD2<br>SDB1, SDB3, SJC, SKJ, SKR, SN, SW2, S1, TH, UH, UX, U1, VA<br>VAX4, VH, VMT, VS, VS1, V1, WDJ, WJ1, WM1, W1  |
|           |          |      |                 |  | 1         | (1) | -   | -   | -----         | 4142273              | AR, DKR, DS, HHQ4, HTF2, HT2, HX, HXU, HX2, HX26, HX4, H1, KR<br>KRA4, KRF4, KRS4, KRT, KRT4, KRT6, LD, LH, LHQ4, LJ, LJC, LJS<br>LSJ, LSJ4, LTJ, LTK1, LTR, LX, LXU, LX2, LX4, L1, PX, QA, QA2<br>QD, QH, QHQ4, QH26, QLL, QM, QMA4, QMA8, QME4, QMX2, QX, QXC9<br>QXS2, QXU, QX2, QX26, QX4, QX7, Q1, RD, RD4, RHC, RHQ4, RX<br>RX4, R1, SAJ, SAJ4, SCJ, SD, SD16, SD4, SE, SH, SHQ4, SJ, SJC1<br>SJC5, SMA7, SMJ, SMW2, STP, STS, SX, SXS4, SX4, SX7, TX, TX2<br>TX26, TX4, UXU, VED, VED1, VET, VEX, VEX7, VMS4, VPR4, VSX<br>VSX1, VX, VXU, VX4, VX7, WDA6, WD12, WJ, WJP, WKD6, WKT2<br>WKT4, WKT6, WMA3, WME2, WME4 |
|           |          |      |                 |  | 1         | -   | -   | -   | -----         | 3463997              | QT   |
|           |          |      |                 |  | 1         | -   | -   | -   | -----         | 4142769              | LAJ4   |

NOTE A:PART NO. CHANGE D:NEWLY PROVIDED E:PART NO. DELETION K:REQUIRED NO. CORRECTION L:APPLICATION SERIAL NO. CORRECTION  
T:APPLICATION CORRECTION Z:REMARKS CHANGE

PARTS CATALOGUE NEWS

BOOKNo. : 13ZH70E9

| Block No. | Ref. No. | Note | Part No.        | Description                                       | Reqd. QTY |                |     |     | Serial No. | Parts catalogue code |  |
|-----------|----------|------|-----------------|---|-----------|----------------|-----|-----|------------|----------------------|--|
|           |          |      |                 |   | (1)       | GX120K1<br>(2) | (3) | (4) |            |                      |  |
|           |          |      |                 |   | -         | -              | 1   | 1   |            |                      |  |
|           |          | T    | 28410-ZH8-003YA | *R280*.....POWER RED                              | 1         | (1)            | -   | -   | 4142274    | -----                | AR, DKR, DS, HHQ4, HTF2, HT2, HX, HXU, HX2, HX26, HX4, H1, KR<br>KRA4, KRF4, KRS4, KRT, KRT4, KRT6, LD, LH, LHQ4, LJ, LJC, LJS<br>LSJ, LSJ4, LTJ, LTK1, LTR, LX, LXU, LX2, LX4, L1, PX, QA, QA2<br>QD, QH, QHQ4, QH26, QLL, QM, QMA4, QMA8, QME4, QMX2, QX, QXC9<br>QXS2, QXU, QX2, QX26, QX4, QX7, Q1, RD, RD4, RHC, RHQ4, RX<br>RX4, R1, SAJ, SAJ4, SCJ, SD, SD16, SD4, SE, SH, SHQ4, SJ, SJC1<br>SJC5, SMA7, SMJ, SMW2, STP, STS, SX, SXS4, SX4, SX7, TX, TX2<br>TX26, TX4, UXU, VED, VED1, VET, VEX, VEX7, VMS4, VPR4, VSX<br>VSX1, VX, VXU, VX4, VX7, WDA6, WD12, WJ, WJP, WKD6, WKT2<br>WKT4, WKT6, WMA3, WME2, WME4 |
|           |          |      |                 |   | 1         | -              | -   | -   | -----      | -----                | LTS  |
|           |          |      |                 |   | 1         | -              | -   | -   | 4142770    | -----                | LAJ4   |
| E-11-1    | 1        |      | 28400-ZE1-003ZA | STARTER ASSY., RECOIL<br>*R8*.....BRIGHT RED      | 1         | -              | -   | -   | 3463998    | 4142273              | QT   |
|           |          | A    | 28400-ZE1-003ZF | *R280*.....POWER RED                              | 1         | -              | -   | -   | 4142274    | -----                | QT   |
|           | 2        |      | 28410-ZE1-003ZA | CASE COMP., RECOIL STARTER<br>*R8*.....BRIGHT RED | 1         | -              | -   | -   | 3463998    | 4142273              | QT   |
|           |          | A    | 28410-ZE1-003ZF | *R280*.....POWER RED                              | 1         | -              | -   | -   | 4142274    | -----                | QT   |
| E-12      | 4        |      | 19610-ZH7-V90ZA | COVER COMP., FAN<br>*R8*.....BRIGHT RED           | 1         | -              | -   | -   | -----      | -----                | LTA  |
|           |          |      |                 |   | 1         | -              | -   | -   | -----      | 4142769              | KRT, KRT4, KRT6  |
|           |          |      | 19610-ZK7-V00ZA | *R8*.....BRIGHT RED                               | 1         | -              | -   | -   | -----      | 4142769              | AR, DKR, KR, KRA4, KRF4, KRS4  |
|           |          | A    | 19610-ZH7-V90ZB | *R280*.....POWER RED                              | 1         | -              | -   | -   | 4142770    | -----                | KRT, KRT4, KRT6  |
|           |          | A    | 19610-ZK7-V00ZD | *R280*.....POWER RED                              | 1         | -              | -   | -   | 4142770    | -----                | AR, DKR, KR, KRA4, KRF4, KRS4  |
| E-17-1    | 9        |      | 17510-ZB4-000ZB | TANK COMP., FUEL<br>*R8*.....BRIGHT RED           | 1         | -              | -   | -   | -----      | 4142273              | LTR  |
|           |          | A    | 17510-ZB4-000ZH | *R280*.....POWER RED                              | 1         | -              | -   | -   | 4142274    | -----                | LTR  |

NOTE A:PART NO. CHANGE D:NEWLY PROVIDED E:PART NO.DELETION K:REQUIRED NO. CORRECTION L:APPLICATION SERIAL NO. CORRECTION  
T:APPLICATION CORRECTION Z:REMARKS CHANGE



# PARTS CATALOGUE NEWS

Honda Motor Co., Ltd. Service Division

## PARTS CATALOGUE - CORRECTED

Printed in Japan

|                       |              |             |
|-----------------------|--------------|-------------|
| CODE NO.              | BOOKLET TYPE | 13ZH70E9    |
|                       | MICRO-FICHE  | 13ZH70EI/FI |
| PARTS CATALOGUE TITLE | GX120K1      |             |
| NEWS NO.              | 003          |             |

| Block No. | Ref. No. | Note | Part No.      | Description                 | Reqd. QTY |     |     |         | Serial No.    | Parts catalogue code |
|-----------|----------|------|---------------|-----------------------------|-----------|-----|-----|---------|---------------|----------------------|
|           |          |      |               |                             | (1)       | (2) | (3) | (4)     |               |                      |
| E-28      | 1        |      | 87522-ZH9-820 | LABEL, CAUTION (THAI) ..... | 1         | -   | -   | -       | ----- 4411054 | QT                   |
|           |          |      |               |                             | -         | (1) | -   | -       |               |                      |
|           |          |      |               |                             | -         | -   | 1   | -       | -----         | ----- QIH1           |
|           | A        |      | 87522-ZH9-821 | .....                       | 1         | -   | -   | 4411055 | ----- QT      |                      |

NOTE A:PART NO. CHANGE D:NEWLY PROVIDED E:PART NO.DELETION K:REQUIRED NO. CORRECTION L:APPLICATION SERIAL NO. CORRECTION  
T:APPLICATION CORRECTION Z:REMARKS CHANGE

January 18, 2007



# PARTS CATALOGUE NEWS

Honda Motor Co., Ltd. Service Division

## PARTS CATALOGUE - CORRECTED

Printed in Japan

|                      |              |             |
|----------------------|--------------|-------------|
| CODE NO.             | BOOKLET TYPE | 13ZH70E9    |
|                      | MICRO-FICHE  | 13ZH70EI/FI |
| PARTS CATALOGUE NEWS | GX120K1      |             |
| NEWS NO.             | 004          |             |

| Block No. | Ref. No. | Note | Part No.      | Description                        | Reqd. QTY |                |     |     | Serial No. | Parts catalogue code |
|-----------|----------|------|---------------|------------------------------------|-----------|----------------|-----|-----|------------|----------------------|
|           |          |      |               |                                    | (1)       | GX120K1<br>(2) | (3) | (4) |            |                      |
| E-28      | 1        | T    | 87525-ZH7-000 | EMBLEM, UPPER (INTERNAL) . . . . . | -         | (1)            | -   | -   | -----      | U1, V1               |
|           |          | T    | 87525-ZH7-810 | EMBLEM, UPPER (EXTERNAL) . . . . . | -         | (1)            | -   | -   | -----      | U1, V1               |

NOTE A:PART NO. CHANGE D:NEWLY PROVIDED E:PART NO.DELETION K:REQUIRED NO. CORRECTION L:APPLICATION SERIAL NO. CORRECTION  
T:APPLICATION CORRECTION Z:REMARKS CHANGE



# PARTS CATALOGUE NEWS

Honda Motor Co., Ltd. Service Division

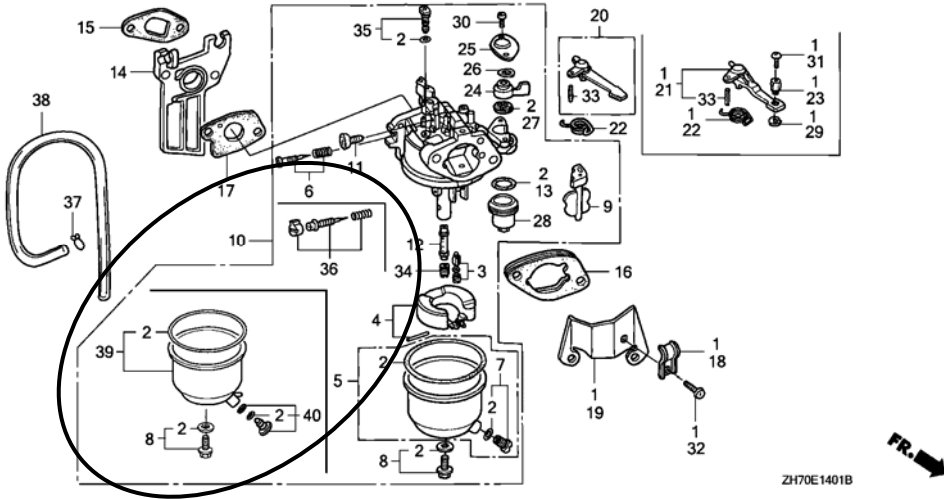
## PARTS CATALOGUE - CORRECTED

Printed in Japan

|                      |              |             |
|----------------------|--------------|-------------|
| CODE NO.             | BOOKLET TYPE | 13ZH70E9    |
|                      | MICRO-FICHE  | 13ZH70EI/FI |
| PARTS CATALOGUE NEWS | GX120K1      |             |
| NEWS NO.             | 005          |             |

| Block No. | Ref. No. | Note | Part No. | Description | Reqd. QTY       | Serial No. | Parts catalogue code |
|-----------|----------|------|----------|-------------|-----------------|------------|----------------------|
|           |          |      |          |             | (1) (2) (3) (4) |            |                      |

E-14-1 CARBURETOR (2)



E-14-1 5 E 16015-ZH7-A21 \*PARTS NO. DELETION

NOTE A:PART NO. CHANGE D:NEWLY PROVIDED E:PART NO. DELETION K:REQUIRED NO. CORRECTION L:APPLICATION SERIAL NO. CORRECTION  
T:APPLICATION CORRECTION Z:REMARKS CHANGE

PARTS CATALOGUE NEWS

BOOKNo. : 13ZH70E9

| Block No. | Ref. No. | Note | Part No.      | Description              | Reqd. QTY |                |     |     | Serial No. | Parts catalogue code |
|-----------|----------|------|---------------|--------------------------|-----------|----------------|-----|-----|------------|----------------------|
|           |          |      |               |                          | (1)       | GX120K1<br>(2) | (3) | (4) |            |                      |
|           | 7        | E    | 16024-ZH7-A20 | *PARTS NO. DELETION      |           |                |     |     |            |                      |
|           | 39       | D    | 16015-ZH7-A21 | CHAMBER SET, FLOAT ..... | 1         | -              | -   | -   | -----      | VEK                  |
|           | 40       | D    | 16024-ZH7-A20 | SCREW SET, DRAIN .....   | 1         | -              | -   | -   | -----      | VEK                  |

NOTE A:PART NO. CHANGE D:NEWLY PROVIDED E:PART NO.DELETION K:REQUIRED NO. CORRECTION L:APPLICATION SERIAL NO. CORRECTION  
T:APPLICATION CORRECTION Z:REMARKS CHANGE



# PARTS CATALOGUE NEWS

Honda Motor Co., Ltd. Service Division

## PARTS CATALOGUE - CORRECTED

Printed in Japan

|                      |              |             |
|----------------------|--------------|-------------|
| CODE NO.             | BOOKLET TYPE | 13ZH70E9    |
|                      | MICRO-FICHE  | 13ZH70EI/FI |
| PARTS CATALOGUE NEWS | GX120K1      |             |
| NEWS NO.             | 006          |             |

| Block No. | Ref. No. | Note | Part No.      | Description                  | Reqd. QTY |     |     |     | Serial No.    | Parts catalogue code   |  |
|-----------|----------|------|---------------|------------------------------|-----------|-----|-----|-----|---------------|--|--|
|           |          |      |               |                              | (1)       | (2) | (3) | (4) |               |  |  |
| E-3       | 2        | T    | 12000-ZF0-415 | BARREL ASSY., CYLINDER ..... | 1         | (1) | -   | -   | ----- 4205163 | AR, DKR, DS, HHQ4, HT2, H1, KR, KRA4, KRF4, KRS4, KRT, KRT4, KRT6, LAJ4, LD, LH, LHQ4, LJ, LJD2, LJS, LSJ, LSJ4, LTJ, LTK1, LTR, L1, QA, QA2, QB26, QD, QH, QHQ4, QH26, QJG2, QM, QMA4, QME4, QT, Q1, RD, RD4, RHC, RHQ4, R1, SAJ, SAJ4, SCJ, SD, SD16, SD4, SE, SH, SHQ4, SJ, SJC, SJD2, SKR, SM11, SSK1, SSK3, STP, STS, S1, VED, VEK, VET, WDA6, WD12, WJ, WJP, WMA3, WME4, WM1, W1 |  |
|           |          |      | T             | 12000-ZF0-425                | .....     | 1   | (1) | -   | -             | 4205164 -----  | AR, DKR, DS, HHQ4, HT2, H1, KR, KRA4, KRF4, KRS4, KRT, KRT4, KRT6, LAJ4, LD, LH, LHQ4, LJ, LJD2, LJS, LSJ, LSJ4, LTJ, LTK1, LTR, L1, QA, QA2, QB26, QD, QH, QHQ4, QH26, QJG2, QM, QMA4, QME4, QT, Q1, RD, RD4, RHC, RHQ4, R1, SAJ, SAJ4, SCJ, SD, SD16, SD4, SE, SH, SHQ4, SJ, SJC, SJD2, SKR, SM11, SSK1, SSK3, STP, STS, S1, VED, VEK, VET, WDA6, WD12, WJ, WJP, WMA3, WME4, WM1, W1 |
|           |          |      |               |                              |           |     | 1   | -   | 1             | -  | ----- -----  |

NOTE A:PART NO. CHANGE D:NEWLY PROVIDED E:PART NO.DELETION K:REQUIRED NO. CORRECTION L:APPLICATION SERIAL NO. CORRECTION  
T:APPLICATION CORRECTION Z:REMARKS CHANGE