

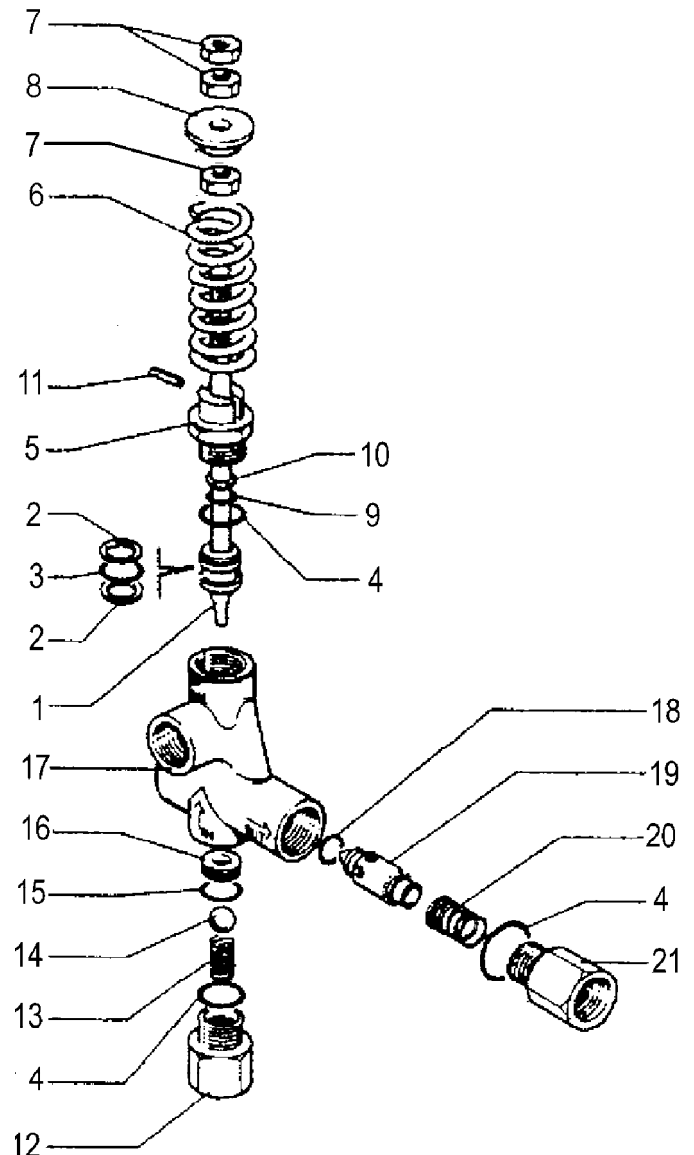
Models

Pressure Actuated

22095-5000/22097-5000 - Unloaders

22096-5000/22098-5000 - Regulators

1	08747	Piston Rod	1
2	08758	Back Ring	2
3	08739	O-Ring, Viton	1
4	08831	O-Ring, Viton	3
5	08745	Piston Housing	1
6	08764	Spring (Blue) 22095-5000/22096-5000	1
6	08763	Spring (White) 22097-5000/22098-5000	1
7	06812	Nut	3
8	08767	Spring Guide	1
9	06813	O-Ring, Viton	1
10	08761	Back Ring	1
11	08766	Pin	1
12	08735	Inlet Fitting	1
13	08734	Ball Spring	1
14	08894	Ball	1
15	08895	O-Ring, Viton	1
16	08733	Seat	1
17	06814	Body	1
18	08896	O-Ring, Viton	1
19	08893	Check Valve	1
20	08892	Kick Back Valve Spring	1
21	08732	Outlet Fitting	1



Operating Conditions

	U.S.	Metric
Max Flow:	21 GPM	(79 LPM)
22097-5000/22098-5000		
Max Pressure (continuous): ...	2200 PSI	(138 bar)
Max Pressure (intermittent): ...	2450 PSI	(169 bar)
22095-5000/22096-5000		
Max Pressure (continuous): ...	4100 PSI	(283 bar)
Max Pressure (intermittent): ...	4500 PSI	(310 bar)
Max Temperature:	194 ° F	(90 ° F)

Inlet Port: 1/2 " FNPT

Outlet Port: 1/2 " FNPT

Bypass: 1/2 " FNPT

Repair Kit#	Includes
9187	2, 3, 4, 9, 10, 14, 15, 16, 18

OPERATING INSTRUCTIONS

Operation

The whole discharge must be guided through the valve. Should the actual operating pressure exceed the adjusted operating pressure, the valve then acts as a pressure regulator. The valve switches to pressure-free bypass operation when the spray gun shuts off and the spray pressure between gun and valve remains idle.

The valve can be operated with a number of spray guns and furthermore, more than one pump can be connected to the pressure pipe.

Construction Characteristics

Casing out of S.S. AISI 316

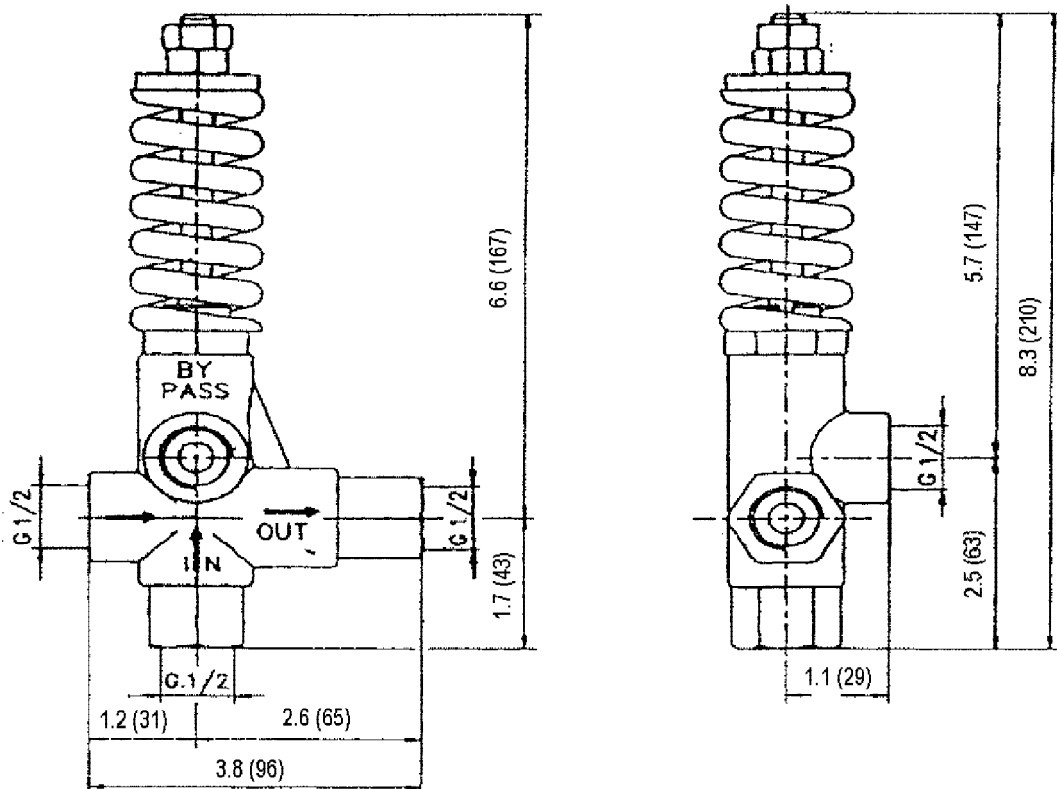
Viton O-Rings

Stainless Steel Cone-Kick-Back Valve with O-ring

Interchangeable Stainless Steel Bypass Valve Seat

Connections for pressure gauge or Pressure Switch

Dimensions - Inches (mm)



Giant Industries, Inc.
900 N. Westwood Ave., P.O. Box 3187, Toledo, Ohio 43607
419-531-4600 Fax: 419-531-6836
www.giantpumps.com

© Copyright 2003 Giant Industries, Inc.

6/0322095,22097,22096,22098_5000PM7