



MR 5-30-RD Remote Dispenser

Owner's Manual

STOP

**DO NOT RETURN
THIS PRODUCT
TO THE STORE!**

Please contact GPI before returning any product. If you are missing parts or experience problems with your installation, our Customer Support Department will be happy to assist you.

GPI Customer Support
800-835-0113 or
316-686-7361

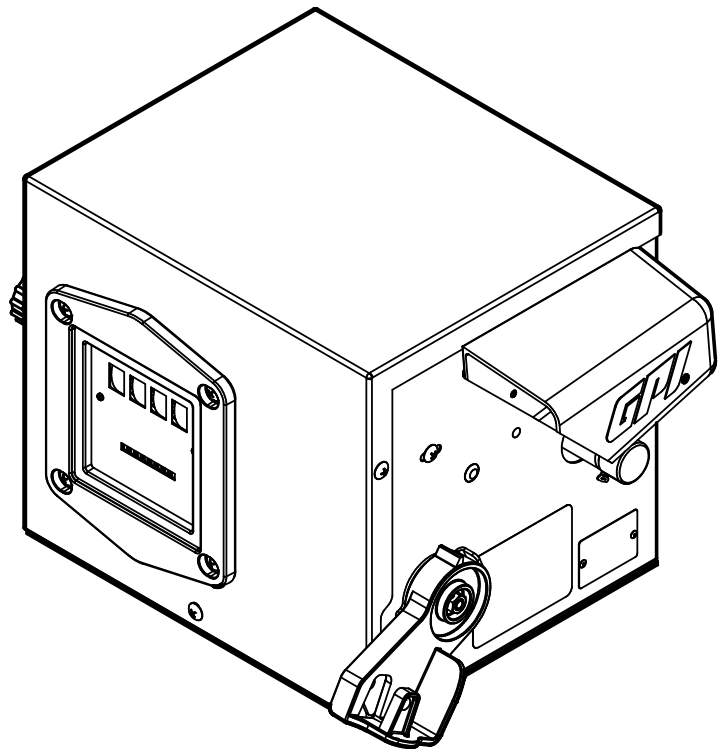


TABLE OF CONTENTS

General Information.....	2
Installation	3
Operation.....	7
Maintenance.....	7
Troubleshooting.....	9
Illustrated Parts Drawing	10-11
Specifications	12
Parts and Service	12

To the owner...

Congratulations on receiving your GPI remote dispenser. We are pleased to provide you with a system designed to give you maximum reliability and efficiency.

Your remote dispenser is designed, tested, and approved for use with gasoline, gasoline/ethanol blends at levels designated as "gasohol" (E10 maximum), diesel and kerosene. Please take all due precautions when handling these flammable liquids. Your safety is important to us.

Also, to assure the longest possible service life, it is important that you follow the operation and maintenance procedures outlined in this manual. We are proud to provide you with a quality product and dedicated support. Together with your conscientious use, we are sure that you will obtain years of safe, dependable service.



Great Plains Industries, Inc. is a member of the Petroleum Equipment Institute.

Victor Lukic, President
Great Plains Industries, Inc.

GENERAL INFORMATION

The information in this manual applies to all models of the MR 5-30-RD remote dispensers, except where noted.

All models of the MR 5-30-RD Remote Dispenser are UL listed power operated petroleum dispensing devices designed for use only with thin viscosity petroleum fuels such as gasoline, gasoline/ethanol blends at levels designated as "gasohol" (E10 maximum), diesel and kerosene.

Do not use this remote dispenser for dispensing any fluids other than those for which it was designed. Using the dispenser with other fuels can damage components and void the dispenser warranty.

The dispenser can operate with a 115-volts AC/60Hz or 230-volts AC/60Hz pump. It has an integral safety shutoff solenoid valve that opens simultaneously when the pump is turned on at the dispenser.

The MR 5-30-RD Remote Dispenser is not supplied with a pump. A UL Listed pump, that does not exceed the electrical rating of the dispenser switch, is to be supplied by the customer.

The MR 5-30-RD comes equipped with a GPI MR 5-30 Meter with a reset knob. The MR 5-30 Meter is for non-resale applications and has $\pm 2\%$ accuracy at 5-30 GPM flowrate.

This manual will assist you in operating and maintaining your remote dispenser. It furnishes information which will help you achieve years of dependable performance and trouble-free operation.

Please take a few moments to read through this manual before installing and operating your dispenser. If you have problems with the dispenser, refer to the Maintenance and Troubleshooting Sections.

If you need assistance, contact the dealer from whom you received your dispenser. If you need further assistance, please call the factory.

How to Use This Manual

Most information in this manual applies to both gallon and litre dispensers with an automatic or manual nozzle.



This symbol is used throughout this manual to call your attention to safety messages.

DANGER

DANGER indicates a hazardous situation which, if not avoided, will result in death or serious injury.

WARNING

WARNING indicates a hazardous situation which, if not avoided, could result in death or serious injury.

CAUTION

CAUTION indicates a hazardous situation which, if not avoided, may result in minor or moderate injury.

It is your responsibility to:

- Know and follow applicable national, state and local safety codes pertaining to installing and operating electrical equipment for use with flammable liquids.
- Know and follow all safety precautions when handling petroleum fuels.
- Ensure that all equipment operators have access to adequate instruction concerning safe operating and maintenance procedures.

Safety Instructions

This is a safe product, designed and manufactured to meet the high safety standards of Underwriters Laboratories (UL) and the Canadian Standards Association (CSA). It is designed to safely handle fuel products and, if installed, operated and maintained correctly, will give years of dependable service.



Important Information

To ensure safe operation, all remote dispensing systems must be properly grounded.

Proper grounding means a continuous metal-to-metal contact from one component to the next, including tank, bung, pump, dispenser, filter, hose and nozzle. Care should be taken to ensure proper grounding during initial installation and after service or repair procedures.

All factory-supplied accessories and components ensure proper grounding.

Here is a list of major warnings and cautions that are given throughout this manual. Please take a moment to review them now for your future safety.

1. To prevent physical injury, observe precautions against fire or explosion when dispensing fuel. Do not operate the system in the presence of any source of ignition including running or hot engines, lighted cigarettes, or gas or electric heaters.
2. Observe precautions against electrical shock when operating the system. Serious or fatal shock can result from operating electrical equipment in damp or wet locations.
3. Avoid prolonged skin contact with petroleum fuels. Use protective goggles, gloves and aprons in case of splashing or spills. Change saturated clothing and wash skin promptly with soap and water.

4. This dispenser is designed for use only with thin viscosity petroleum fuels such as gasoline, gasoline/ethanol blends at levels designated as "gasohol" (E10 maximum), diesel and kerosene. Do not use this dispenser for dispensing any other fluids other than those for which it was designed. To do so may damage system components and will void the warranty.
5. Do not leave the system running without fluids. If the system fails to deliver fuel after 15 to 20 seconds, turn the dispenser off and refer to the Troubleshooting Section.
6. Do not pump the tank completely dry, as contaminants from the bottom of the tank may enter the dispenser components.
7. The dispenser has a continuous duty cycle; however, a completely installed system is limited by the duty cycle of the external supply pump.
8. Observe precautions against electrical shock when servicing the pump. Always disconnect power before repairing or servicing. Never apply electrical power to the system when any of the coverplates are removed.

9. If using solvent to clean dispenser components or tank, observe the solvent manufacturers recommendations for safe use and disposal.

Damage Inspection

Upon receipt of your dispenser, inspect all parts and components. If any items are damaged or missing, please contact your dealer or distributor.

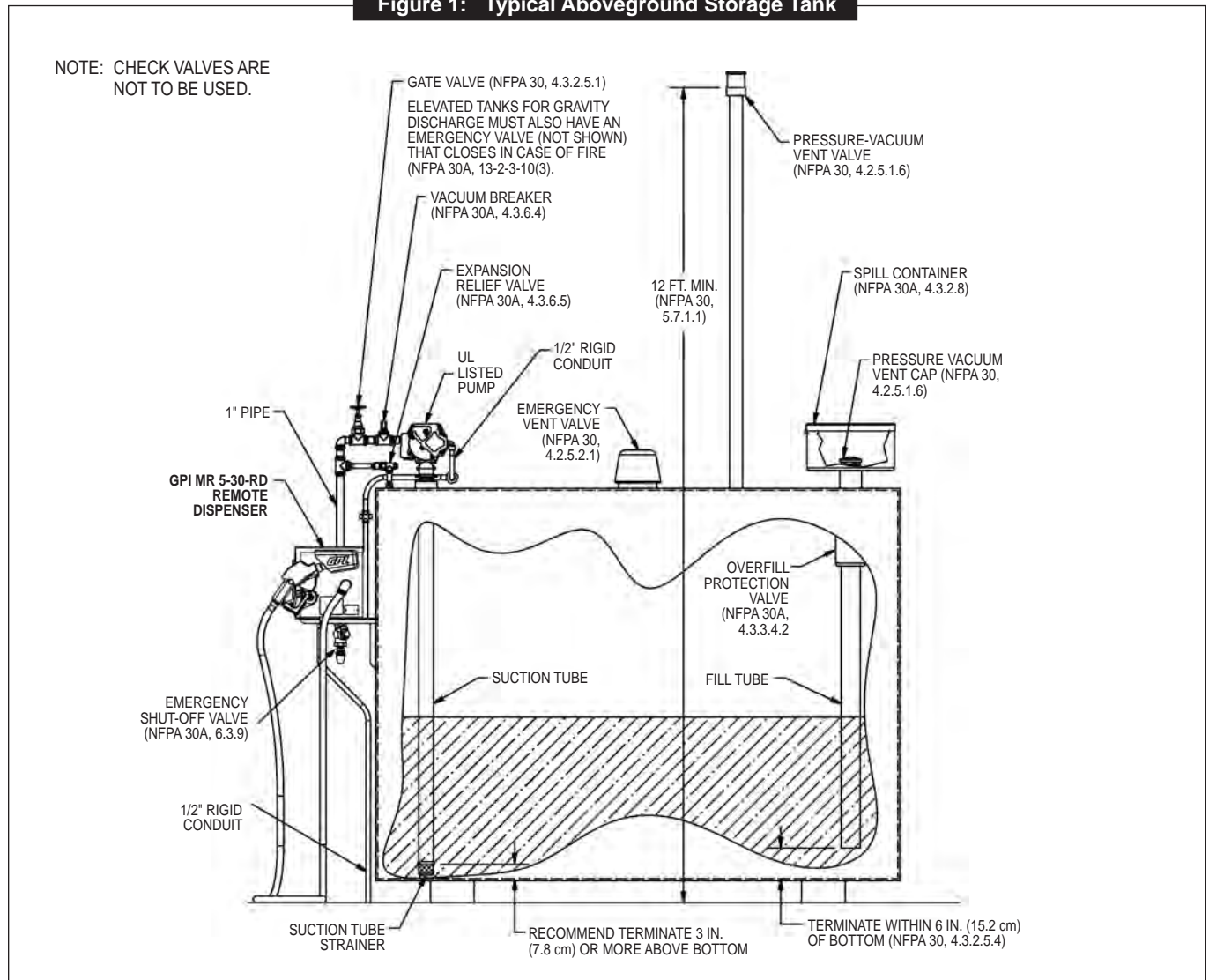
INSTALLATION

Mechanical Connections

⚠ WARNING

Cover panels protect the operator from moving parts. Never operate the remote dispenser without cover panels in place. Never apply electric power to the remote dispenser without cover panels in place. Always disconnect power before repairing or servicing.

Figure 1: Typical Aboveground Storage Tank



All threaded fuel connections must be sealed with thread tape or a pipe thread sealing compound approved for use with petroleum fuels.

Your dispenser must be installed to conform to all federal, state, and local codes including the National Electrical Code (NFPA 70), Flammable and Combustible Liquids Code (NFPA 30) and Code for Motor Fuel Dispensing Facilities and Repair Garages (NFPA 30A) as they apply for non-commercial application on fixed, aboveground storage tanks with a maximum capacity not to exceed 6,000 gallons (22,700 litres) or Canadian Electric Code C22.1 as applicable. The tank must not be accessible to the public. Your dispenser may also be mounted on underground tanks.

When used with an aboveground storage tank, a UL Listed emergency shut-off (shear) valve with a fusible link must be installed below the dispenser. (Figure 1) shows this valve and other required UL Listed components to conform to the above codes.

Your dispenser is designed to mount directly onto a support bracket (not included) attached to an aboveground storage tank or mounted onto an island pedestal.

1. Ensure pump (not included) is mounted securely onto top of tank and oriented for most direct pipe routing to dispenser.
2. Ensure that mounting bracket (not included) for dispenser is firmly attached to tank at the desired dispenser height and located to allow for the most direct pipe routing from pump to dispenser.
3. Install dispenser onto mounting bracket.
4. Install emergency shut-off valve (not supplied) to dispenser inlet. Valve should be positioned to mount rigidly to tank and not rely on dispenser for support.
5. Install piping, valves and other required components (Figure 1) between pump and emergency shut-off valve. The piping is not intended to support the dispenser or pump in any manner.

Hose Nozzle Valves and Hoses

All accessories must be UL listed. Approved accessories for use with this remote dispensing system are:

Hose Nozzle Valves:

- Dispenser is for use with any UL listed interchangeable service station type hose nozzle valve.

NOTE: Use of other off-the-shelf nozzles may result in malfunction and reduced system performance.

Hose Assembly:

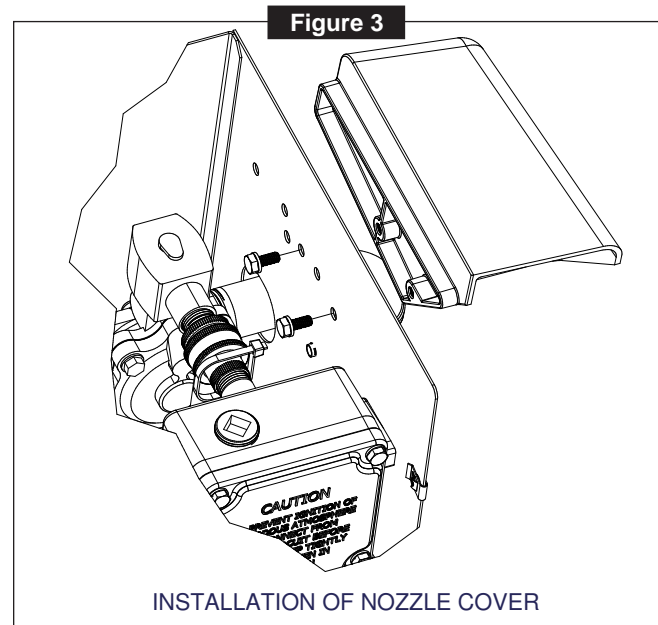
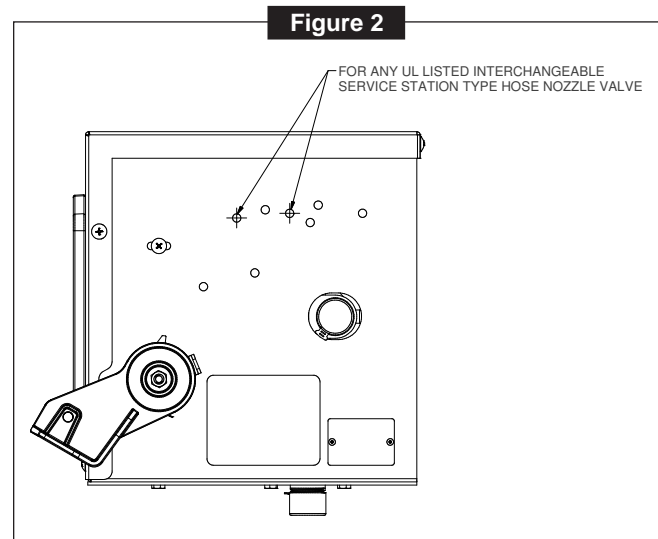
- Any UL listed hose assembly.

The remote dispenser is available as a dispenser only (customer provides an approved hose nozzle valve and hose assembly) or with an approved hose nozzle valve and hose assembly included. Both versions include a 1 inch NPT 90 degree elbow, 1 inch to 3/4 inch NPT reducer fitting and a nozzle cover with attaching hardware that will need to be assembled to dispenser.

Attach the 90 degree elbow to the outlet pipe on the right side of dispenser. This will accommodate a 1 inch NPT hose assembly. When installing a 3/4 inch NPT hose assembly install the reducer bushing into the 90 degree elbow. Install hose assembly and hose nozzle valve. **All threaded fuel pipe connections must be made with a gasoline-resistant pipe joint sealing compound.**

For UL Listed interchangeable nozzles, attach nozzle cover using mounting hole positions as outlined in owner's manual (figures 2 and 3) or label on side of cabinet.

1. Remove fasteners and lift top panel off of cabinet.
2. Attach nozzle cover to side of top panel at the hole locations shown.
3. Install top panel and fasteners.



⚠ DANGER

The Remote Dispenser must be installed by a licensed electrician and conform to National Electrical Code (NFPA 70), Flammable and Combustible Liquids Code (NFPA 30) and Code for Motor Fuel Dispensing Facilities and Repair Garages (NFPA 30A) or Canadian Electric Code C22.1 as applicable. You, as the owner, are responsible for seeing that the installation and operation of your dispenser complies with NFPA codes as well as any applicable state and local codes. Rigid conduit must be used to install wiring.

To reduce the risk of ignition of hazardous atmospheres, conduit runs must have a sealing fitting connected within 18 inches of the enclosure.

Failure to follow these wiring instructions may result in death or serious injury from shock, fire or explosion.

The dispenser must be properly grounded to avoid personal injury. Operating an ungrounded or improperly grounded dispenser may result in death due to electrical shock, fire or explosion.

Electrical wiring and connections must be made only by a licensed electrician in accordance with national, state and local electrical codes regarding Class 1, Division 1, Group D locations. Other codes may apply.

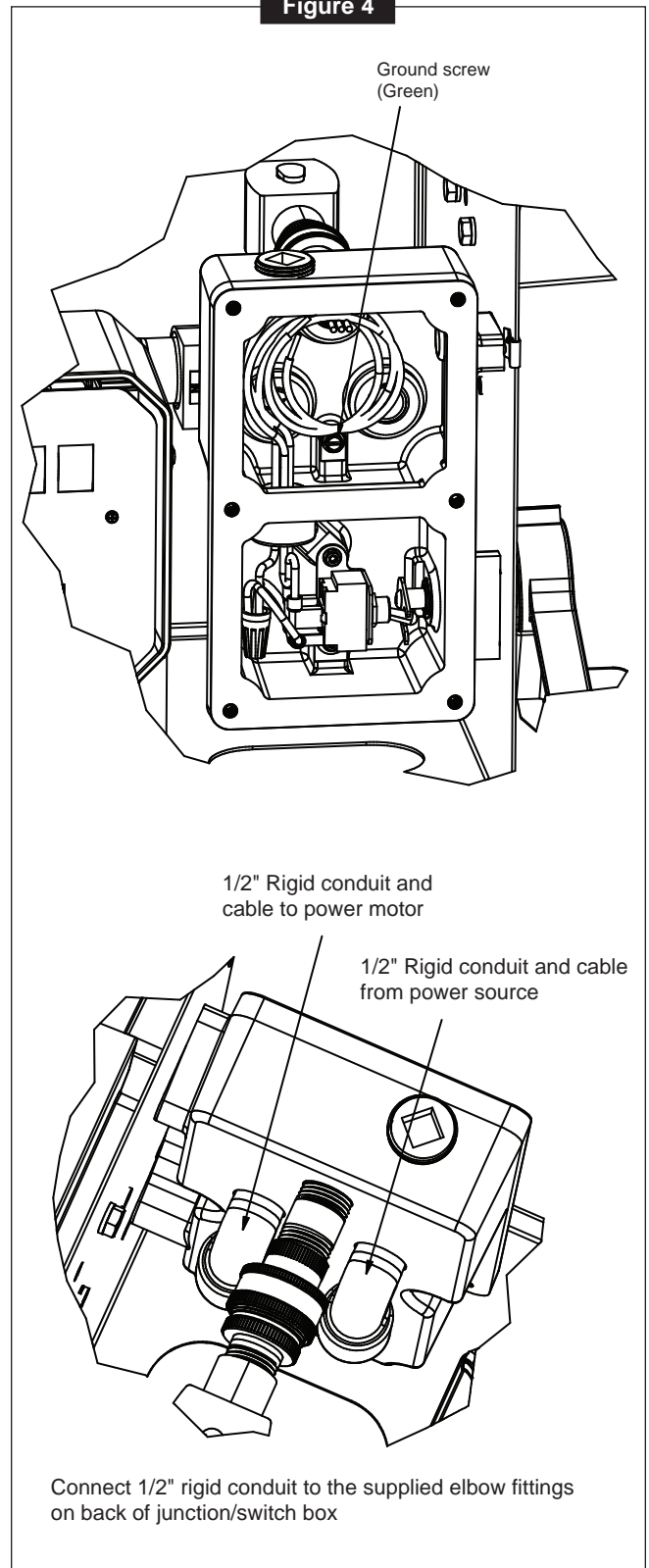
Refer to wiring diagrams for dispenser. The junction box inside the dispenser has 1/2 inch NPT threaded hubs for conduit connections. **All electrical connections shall be made with threaded rigid conduit, sealing fittings and conductor seals.**

Outside the United States, installation should be performed in compliance with local codes.

Wiring Details

1. To access the junction box inside the dispenser, remove top cover then remove the front panel. Refer to (Figure 4) and remove the junction box cover. Avoid damaging the machined mating surfaces of the junction box and its coverplate as this precision seal is necessary to ensure the junction box retains its explosion proof integrity.
2. Install 1/2 inch rigid conduit and electrical cable from pump motor junction box to the 90 degree fitting on left side of junction box. Install 1/2 inch rigid conduit and electrical cable from power source to opening in bottom of junction box. Use only code specified electrical cable with ground wire.
3. With power turned off, use wire nuts to connect pump wires, solenoid wires and power wires to switch leads per appropriate wiring diagram (115-volts AC or 230-volts AC Pump). The switch leads enter the junction box through the right side opening and the solenoid wires through the back opening. The top opening is plugged.
4. Attach ground wires to ground screws in junction boxes (pump and dispenser) and to ground source.
5. Position wires inside the junction box and replace the coverplate. Reinstall the front panel and top cover.

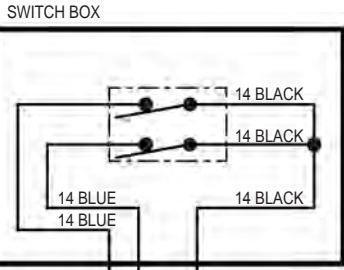
Figure 4



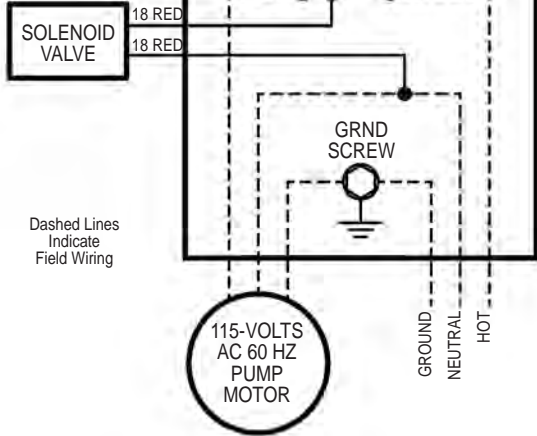
Wiring Diagrams

115-Volts AC

SWITCH SPECIFICATIONS
 DPST
 12A 250-VOLTS AC
 17A 125-VOLTS AC
 1HP 250-VOLTS AC



SOLENOID SPECIFICATIONS
 10 WATTS
 120-VOLTS AC / 60 HZ
 110-VOLTS AC / 50 HZ

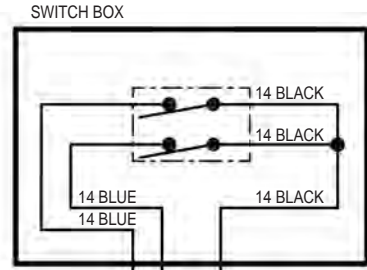


Dashed Lines Indicate Field Wiring

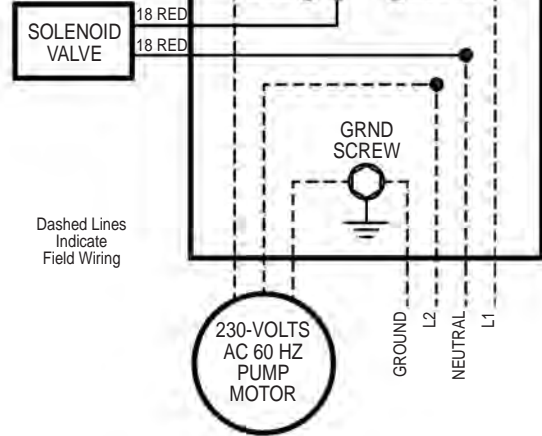
All wiring and conduit runs must conform to National Fire Protection Association (NFPA) codes 30 and 70 or Canadian Electric Code C22.1 as applicable.

230-Volts AC

SWITCH SPECIFICATIONS
 DPST
 12A 250-VOLTS AC
 17A 125-VOLTS AC
 1HP 250-VOLTS AC



SOLENOID SPECIFICATIONS
 10 WATTS
 120-VOLTS AC / 60 HZ
 110-VOLTS AC / 50 HZ

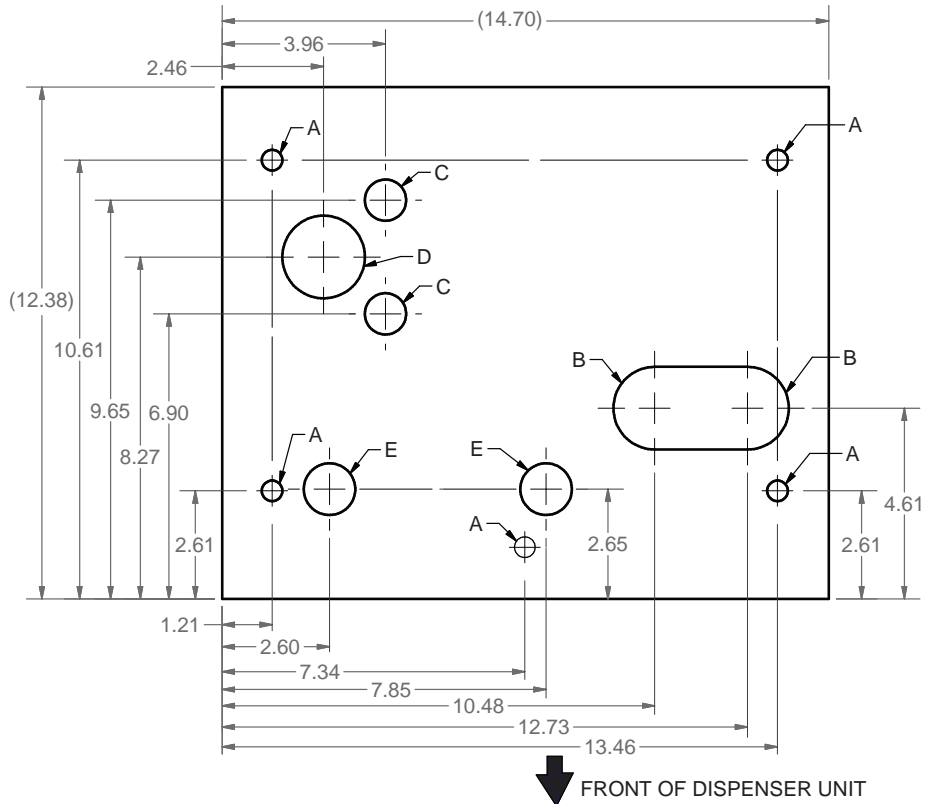


Dashed Lines Indicate Field Wiring

All wiring and conduit runs must conform to National Fire Protection Association (NFPA) codes 30 and 70 or Canadian Electric Code C22.1 as applicable.

Dispenser Base Layout

VIEW LOOKING DOWN ON DISPENSER MOUNTING PLATE



Diameter Chart			
Item	Description	Dimension	Quantity
A	Mounting	.50	5
B	Conduit	2	2
C	Clearance	1.	2
D	Inlet	2.	1
E	Clearance	1.25	2

↓ FRONT OF DISPENSER UNIT

OPERATION

⚠ DANGER

To prevent physical injury, observe precautions against fire or explosion when dispensing fuel. Do not operate the dispenser in the presence of any source of ignition including running or hot engines, lighted cigarettes, or gas or electric heaters.

⚠ WARNING

Observe precautions against electrical shock when operating the dispenser. Serious or fatal shock can result from operation of electrical equipment in damp or wet locations.

⚠ CAUTION

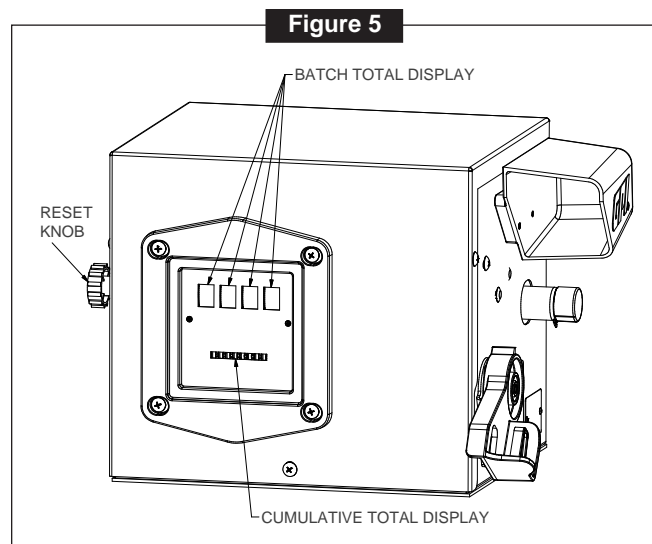
Avoid prolonged skin contact with petroleum fuels. Use protective goggles, gloves, and aprons in case of splashing or spills. Change saturated clothing and wash skin promptly with soap and water.

After hose, nozzle, filter, etc. have been installed, the system should be purged of air. Hold the nozzle open into the tank opening or container and turn on the system by lifting the switch lever to the "ON" position. Allow the pump to prime and discharge any air from the system.

Fuel Meter

The large meter display represents the Batch Total for each fuel delivery. Before dispensing, reset the Batch Total to zero by turning the reset knob. (Figure 5)

The small display represents the Cumulative Total of all fuel deliveries and cannot be reset.



To dispense fuel:

1. Remove the nozzle from the nozzle hanger. Turn the pump on by lifting upward on the switch lever (Figure 6).
2. Insert the nozzle into the receiving tank and squeeze the handle to dispense fuel.
3. After dispensing fuel, push the switch lever down to turn the pump off and return nozzle to the holder. The pump motor cannot be operated with nozzle in position on the holder. Use the holes provided to lock nozzle in place to prevent unauthorized use (Figure 7).

Figure 6

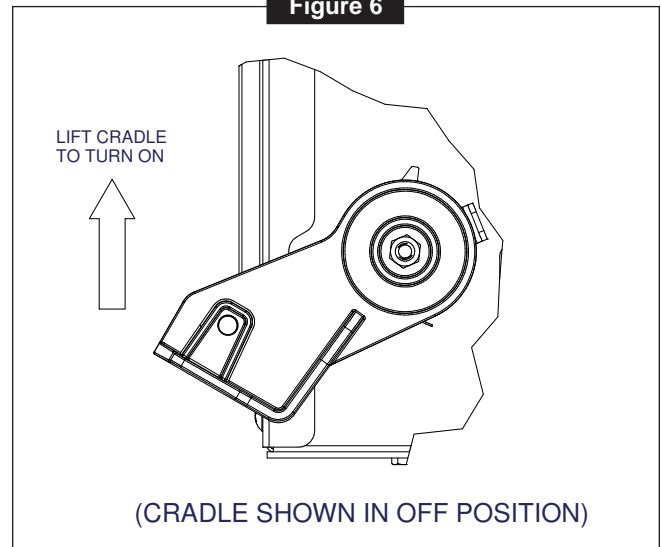
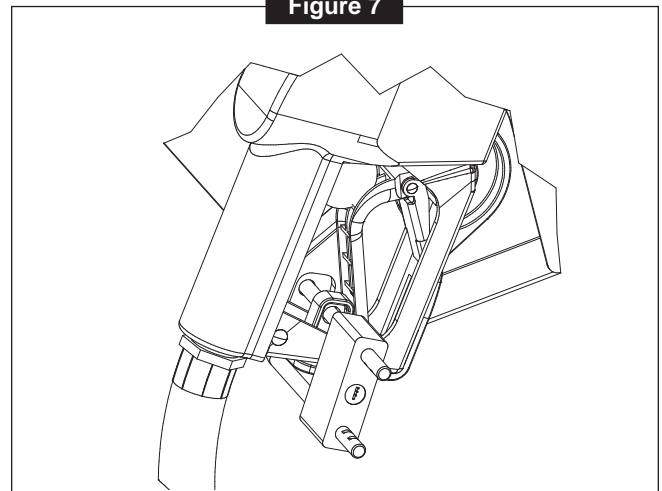


Figure 7



MAINTENANCE

⚠ WARNING

Coverplates protect the operator from moving parts. Never operate the remote dispenser without coverplates in place. Never apply electric power to the remote dispenser without coverplates in place. Always disconnect power before repairing or servicing.

Meter Calibration

The meter is accurately calibrated at the factory for use with diesel fuel. Due to differences in viscosity and flow-rates, the meter may require recalibration to measure other fuels or to adjust for inaccuracies.

1. Purge air from the meter and fuel system by dispensing fuel into a container until a full flow occurs. Close the nozzle.
2. Reset the meter batch counter to zero by twisting the knob on the side of the unit (Figure 5).
3. Pump into a graduated calibration container to a specified quantity. For the greatest accuracy, be sure the container is placed on a level surface and a consistent flowrate is used. When topping off the calibration container, use a quick-open and quick-close method until the mark is reached.
4. Compare the meter display to the quantity in the container. If the display does not register the quantity on the container, adjust the meter by performing the following:
 - a. Remove cabinet top cover. Gain access to the recessed calibration screw by turning the calibration screw cover and seal counterclockwise. Remove the cover and nylon washer (Figure 8).

- b. If the meter registered less than the quantity in the container, turn the calibration screw clockwise. If the meter display read more than the amount in the container, turn the calibration screw counterclockwise.

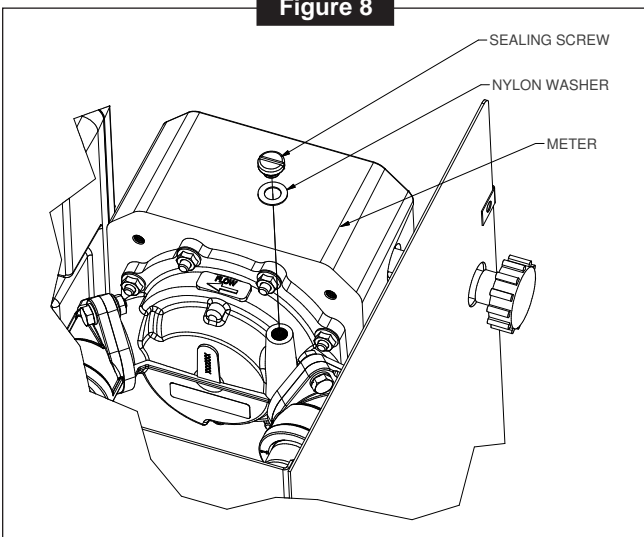
5. Empty the calibration container and repeat steps 2 to 4 until the meter registers the quantity in the container.
6. Install the nylon washer, calibration screw cover and replace cabinet top.

Clean or Replace Strainer

To gain access to the meter, remove cabinet top cover.

1. Remove the nuts and bolts at the inlet fitting of the meter. Remove the O-ring, and strainer.
2. Using a fine brush, clean the strainer. Replace the strainer as necessary.
3. Wipe clean the inlet, housing, and O-ring groove. Coat the O-ring with oil or light grease. Make sure the O-ring is fully seated. Reinstall the strainer.
4. Position the inlet fitting in the original orientation and tighten the nuts and bolts until snug.
5. Replace top cabinet cover.

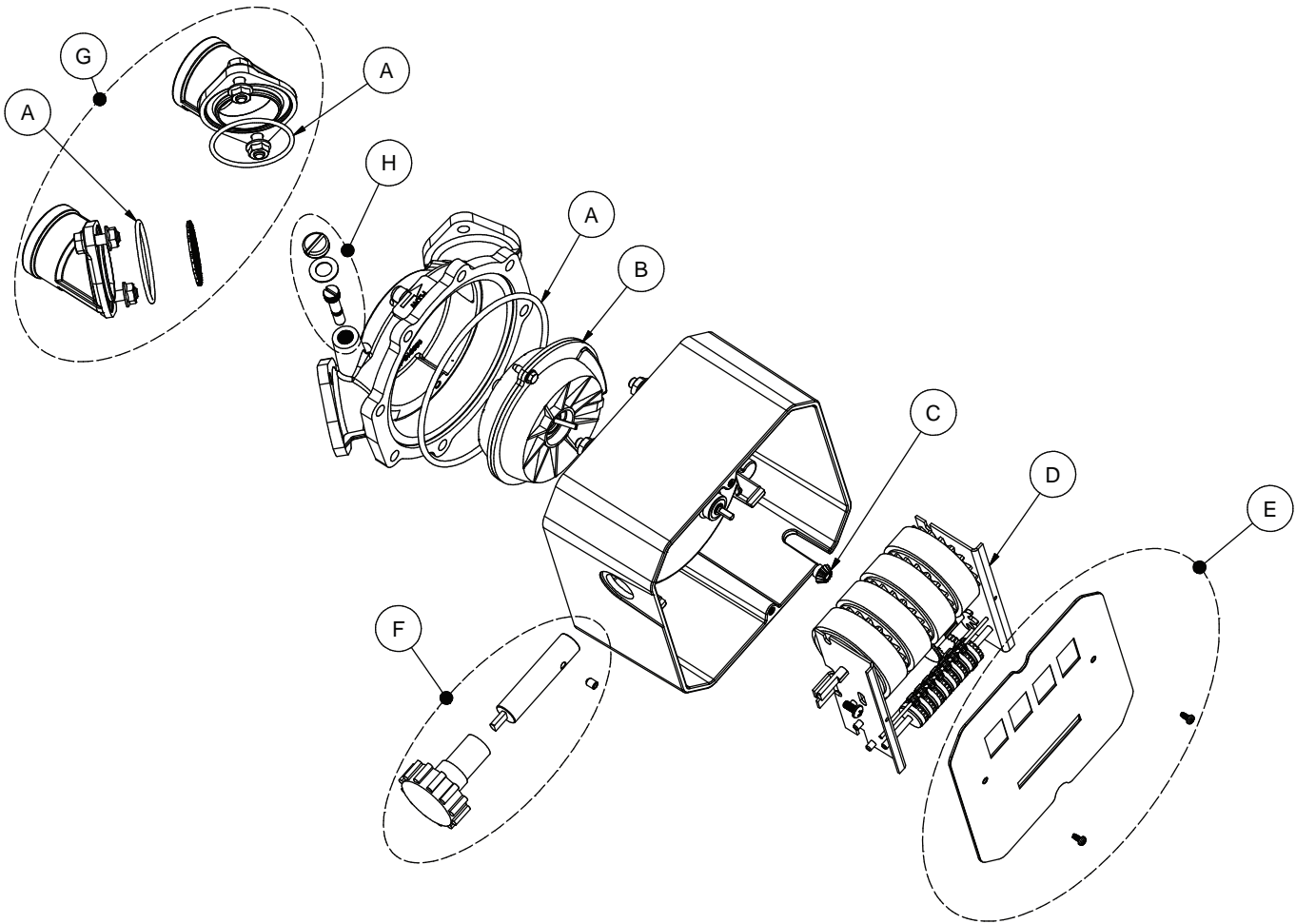
Figure 8



TROUBLESHOOTING

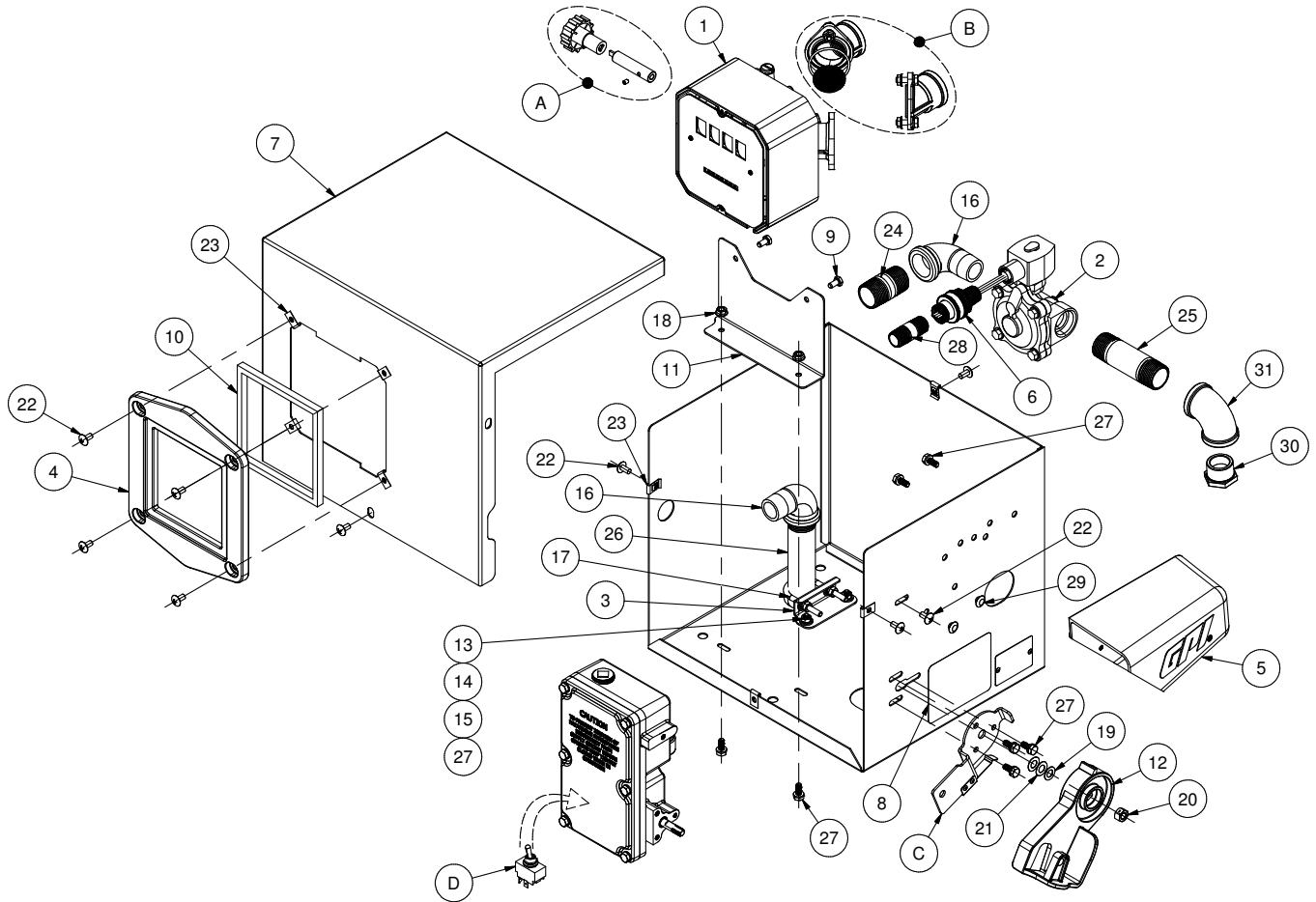
SYMPTOM	PROBABLE CAUSE	CORRECTIVE ACTION
<p>A. METER COUNTER DOES NOT OPERATE (Normal fuel delivery)</p>	<ol style="list-style-type: none"> 1. Broken counter assembly 2. Foreign material in counter assembly or nutator assembly 3. Broken nutator disc pin or defective nutator assembly 4. Jammed material in nutator assembly 	<p>Replace counter.</p> <p>Remove and clean counter assembly or nutator assembly.</p> <p>Install new nutator assembly.</p> <p>Contact GPI Customer Service.</p>
<p>B. METER COUNTER DOES NOT OPERATE (Little or no fuel flow)</p>	<ol style="list-style-type: none"> 1. Clogged strainer in meter 2. Other system components malfunctioning 3. Foreign material in nutator assembly 	<p>Clean or replace strainer.</p> <p>Check all system components from tank to nozzle for clogs and/or malfunctions. Repair as necessary.</p> <p>Remove and clean nutator assembly.</p>
<p>C. METER FUEL LEAKAGE</p>	<ol style="list-style-type: none"> 1. Leakage at counter drive shaft 2. Leakage between coverplate and housing 3. Leakage at fittings 4. Leakage at threads 	<p>Replace coverplate assembly.</p> <p>Remove coverplate and inspect for damage, missing or incorrectly seated seal. Replace as required.</p> <p>Remove fittings and inspect for damaged, missing or incorrectly seated seals. Replace as required.</p> <p>Remove meter and reseal all threaded connections with thread tape or pipe thread sealing compound approved for use with flammable liquids.</p>
<p>D. DISPENSER DOES NOT OPERATE (Pump is running and delivering fuel to inlet)</p>	<ol style="list-style-type: none"> 1. Switch defective 2. Electrical connections faulty 3. Solenoid valve defective 	<p>Remove coverplate from switchbox and inspect switch. Replace if necessary.</p> <p>Check for defective wiring and/or connections or improper electrical connections. Replace as needed.</p> <p>If power is being supplied to solenoid valve but it does not open, replace solenoid valve.</p>

METER ILLUSTRATED PARTS DRAWING



Kit Identifier	Part Number	Description
A	126530-09	Seal Kit - Includes 1 Housing O-Ring and 2 Fitting O-Rings
B	126530-08	Nutator Assembly Kit - Includes hardware
C	126530-06	Bevel Gear Kit
D	126530-04	Gallon Counter Assembly Kit - Includes Counter Assembly and hardware
	126530-05	Litre Counter Assembly Kit - Includes Counter Assembly and hardware
E	126530-02	Gallon Faceplate Kit - Includes Faceplate, Decal and hardware
	126530-03	Litre Faceplate Kit - Includes Faceplate, Decal and hardware
F	133538-02	Knob Kit - Includes Knob, Shaft and Screw
G	126530-14	Fitting Kit - Includes 1" NPT Fittings and hardware
H	126530-11	Calibration Screw Kit - Includes S crew, Washer O-Ring and Cover

DISPENSER ILLUSTRATED PARTS DRAWING



Item No.	Part No	Description	No. Req'd
1	12622025	MR 5-30 Assembly, Gallon Meter.....	1
	12622026	MR 5-30 Assembly, Litre Meter	1
2	13330307	Solenoid Valve, 1" NPT, 120VAC.....	1
3	13330329	Pipe Bracket	1
4	143010-01	Bezel.....	1
5	143016-01	Nozzle Cover	1
6	143020-01	Union Fitting, 1/2" NPT	1
7	143021-01	Top Panel.....	1
8	143024-01	Decal, Nozzle Cover Adjustment	1
9	904003-33	Screw, Hex Head 1/4-20.....	2
10	143029-01	Foam Gasket	1
11	143031-01	Meter Bracket	1
12	143032-01	Nozzle Cradle	1
13	904001-21	Washer	5
14	904001-22	Lock Washer.....	5
15	904001-25	Hex Nut, 1/4-20	4

Item No.	Part No	Description	No. Req'd
16	904004-43	Fitting, Elbow, Street 1" NPT	2
17	904004-77	U-Bolt, 1" Pipe, 1/4-20 Thread.....	1
18	904005-38	Nut, Hex Flange, 1/4-20	6
19	904006-16	Flat Washer	1
20	904006-62	Lock Nut, .375-16	1
21	904006-63	Washer, Curved Spring	2
22	904006-99	Screw, Truss Hd Machine, 1/4-20 X 1/2"	11
23	904007-02	Fastener, U-Type, 1/4-20.....	8
24	904008-46	Fitting, Nipple, 1" NPT X 2.25", Galvanized	1
25	904008-47	Fitting, Nipple, 1" NPT X 4", Galvanized	1
26	904008-48	Fitting, Nipple, 1" NPT X 6.5", Galvanized	1
27	904008-49	Sems, Hex Head, 1/4-20 X 5/8"	9
28	904008-55	Fitting, Nipple, 1/2" NPT X 2", Galvanized	1
29	906006-59	Plug, Plastic.....	4
30	904006-91	Pipe Bushing, 1" X 3/4" NPT	1
31	90400790	Elbow Fitting, 90 Degree, 1" NPT.....	1

Kits and Accessories

- A** 133538-02 Knob Kit - Includes Knob, Shaft and Screw
- B** 126530-14 Fitting Kit - Includes 1" NPT Fittings and Hardware
- C** 143500-09 Locking Bracket Kit
- D** 143500-10 Switch Kit

SPECIFICATIONS

The MR 5-30-RD Remote Dispenser is designed for use only with thin viscosity petroleum fuels such as gasoline, gasoline/ethanol blends at levels designated as "gasohol" (E10 maximum), diesel and kerosene.

All models are designed for permanent mounting on vented storage tanks, either in-ground or above ground.

Meter:

Unit of Measure:

U.S. Gallons or Litres

Flow Range:

5 to 30 GPM (19 to 114 LPM)

Typical Accuracy:

2%

Type:

Nutating Disc

Housing Material:

Aluminum

Maximum Working Pressure:

50 PSIG (3.4 bar)

Inlet/Outlet Fitting Size:

1-inch NPT

Maximum Batch Total:

999.9 Gallons (9999 Litres)

Maximum Cumulative Total:

9,999,999.9 Gallons (99,999,999 Litres)

Dispenser:

Performance:

Duty Cycle: Continuous

Electrical:

Input: 115 volt AC, 60 Hz
230 volt AC, 60 Hz
Conduit: 1/2 inch rigid NPT
Switch: Double pole, single throw
12A 250 volts AC
17A 125 volts AC
1HP 250 volts AC
Solenoid: 10 Watts
120 volts AC, 60 Hz
110 volts AC, 50/60 Hz

Mechanical Connections:

Inlet: 1-inch NPT pipe nipple
Outlet: 1-inch NPT pipe nipple

Security: Nozzle can be padlocked

Ship Weight:

54 pounds (24.5 kg) - Without hose & nozzle

Certifications:



PARTS AND SERVICE

For warranty consideration, parts, or other service information, please contact your local distributor. If you need further assistance, contact the GPI Customer Service Department in Wichita, Kansas, during normal business hours.

1-800-835-0113

To obtain prompt, efficient service, always be prepared with the following information:

1. The model number of your Remote Dispenser and the version (gallons or litres).
2. The manufacturing date code of your Remote Dispenser.

For the MR 5-30-RD Series, the manufacturing date code is located on the model nameplate riveted to the front of the cabinet.

For warranty work, always be prepared with your original sales slip or other evidence of purchase date.

Please contact GPI before returning any Remote Dispenser. It may be possible to diagnose the trouble and find a solution with a telephone call. GPI can also inform you of any special requirements you will need to follow for shipping.

⚠ CAUTION

Do not return the Remote Dispenser without authority from the Customer Service Department. Due to strict government regulations, GPI cannot accept Remote Dispensers unless they have been drained and cleaned.

SAVE THESE INSTRUCTIONS

Limited Warranty Policy

Great Plains Industries, Inc. 5252 E. 36th Street North, Wichita, KS USA 67220-3205, hereby provides a limited warranty against defects in material and workmanship on all products manufactured by Great Plains Industries, Inc. This product includes a 2 year warranty from date of purchase as evidenced by the original sales receipt. A 30 month warranty from product date of manufacture will apply in cases where the original sales receipt is not available. Reference product labeling for the warranty expiration date based on 30 months from date of manufacture. Manufacturer's sole obligation under the foregoing warranties will be limited to either, at Manufacturer's option, replacing or repairing defective Goods (subject to limitations hereinafter provided) or refunding the purchase price for such Goods theretofore paid by the Buyer, and Buyer's exclusive remedy for breach of any such warranties will be enforcement of such obligations of Manufacturer. The warranty shall extend to the purchaser of this product and to any person to whom such product is transferred during the warranty period.

This warranty shall not apply if:

- A. the product has been altered or modified outside the warrantor's duly appointed representative;
- B. the product has been subjected to neglect, misuse, abuse or damage or has been installed or operated other than in accordance with the manufacturer's operating instructions.

To make a claim against this warranty, contact the GPI Customer Service Department at 316-686-7361 or 800-835-0113. Or by mail at:

Great Plains Industries, Inc.
5252 E. 36th St. North
Wichita, KS, USA 67220-3205

GPI will step you through a product troubleshooting process to determine appropriate corrective actions.

GREAT PLAINS INDUSTRIES, INC., EXCLUDES LIABILITY UNDER THIS WARRANTY FOR DIRECT, INDIRECT, INCIDENTAL AND CONSEQUENTIAL DAMAGES INCURRED IN THE USE OR LOSS OF USE OF THE PRODUCT WARRANTED HEREUNDER.

The company herewith expressly disclaims any warranty of merchantability or fitness for any particular purpose other than for which it was designed.

This warranty gives you specific rights and you may also have other rights which vary from U.S. state to U.S. state.

Note: In compliance with MAGNUSON MOSS CONSUMER WARRANTY ACT – Part 702 (governs the resale availability of the warranty terms).



5252 East 36th Street North
Wichita, KS USA 67220-3205
316-686-7361 | FAX: 316-686-6746
800-835-0113 | www.GPIpumps.net

GREAT PLAINS INDUSTRIES, INC.

GPI and the electric gear pump are registered trademarks of Great Plains Industries, Inc.

© 2013 GREAT PLAINS INDUSTRIES, INC., Wichita, KS
Printed in U.S.A.