



IM083
0106
0002

LM50DB / LM50DN (ELECTRONIC) POSITIVE DISPLACEMENT FLOWMETERS INSTRUCTION MANUAL



The GPI quality Positive displacement flowmeter has incorporated the oval rotor principal into its design. This has proven to be a highly reliable and highly accurate method of measuring flow, providing exceptional repeatability and high accuracy.

This meter is designed for in line use with Engine Oil & ATF up to a maximum viscosity of SAE 140, Diesel & Water Glycol mixtures with a maximum water content of less than 50%.

Please read and retain this instruction manual to assist you in the operation and maintenance of this quality product.

GENERAL INFORMATION

This manual assists you in operating and maintaining your new positive displacement flowmeter. The information contained will help you ensure many years of dependable performance and trouble free operation.

Please take a few moments to read through this manual before installing and operating your new meter. If you experience problems with this product, refer to the Maintenance and Trouble Shooting sections of this manual. If you require further assistance please contact your local GPI Distributor.



IMPORTANT INFORMATION

GPI recommends, that if you are using your meter as an in-line application you should install a filter before the inlet of the meter. Contact your local GPI distributor for further details.

INSTALLATION

- 2) Do not over tighten connections.

OPERATION

LM50DB or LM50DN ELECTRONIC REGISTER

DISPLAY BUTTON

Each press of the **DISP** button will allow you to scroll through the meter options

- Resetable Batch Total
- Resetable Accumulative Total
- Non Resetable Accumulative Total
- Flowrate

RESET BUTTON

The **RESET** button allows you to reset the Batch Total or the Resettable Accumulative Total to zero.

To reset either the Batch total or Resetable Accumulative total. Press the **DISP** button to scroll to either the Batch or Resetable total. When the required total is displayed. Press reset to zero the totalizer.

FLOWRATE

This display option shows the flowrate of the fluid passing through the meter.

SLEEP MODE

If NO flow goes through the meter for 60 seconds the display will go into sleep mode (Blank). The display will automatically wake if the buttons are pressed or flow occurs.

BATTERY REPLACEMENT

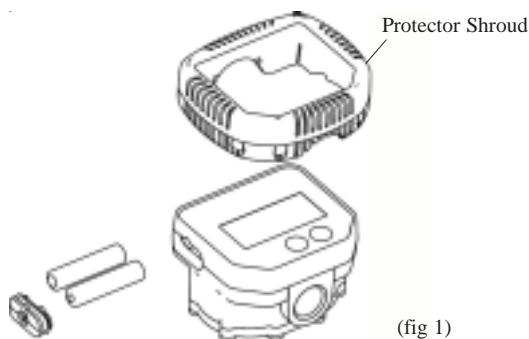
All data will be saved when the batteries are removed.

Note: Replace the batteries as soon as the battery indicator on the LCD is displayed



- 1) Remove the plastic protector shroud from the meter body. (fig 1)
- 2) Remove the battery cover.
- 3) Replace the 2 x (AAA) Alkaline batteries. (Refer to the front of the meter for correct battery orientation).
- 4) Replace the battery cover and re-fit the plastic shroud.

Note: Only use Alkaline batteries.



CAUTION

Ensure the fluid supply to the meter is disconnected and the line pressure is released before disassembly.

METER DISASSEMBLY

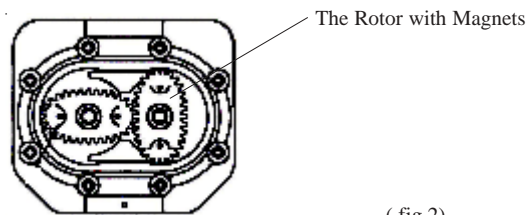
Note: The electronic computer module is non-repairable. The meter will need to be replaced if found to be damaged or faulty.

- 1) Remove the 8 x philips head screws (1) from the meter cover.
- 2) Remove the meter cover (2) and o'ring (3).
- 3) Remove both rotors (4).
- 4) Clean and inspect all parts. Replace any suspect, worn or damaged components.

METER REASSEMBLY

NOTE: Ensure the rotor with the magnets is assembled on the same side as the batteries. The magnets in the rotor must face towards the electronic display .

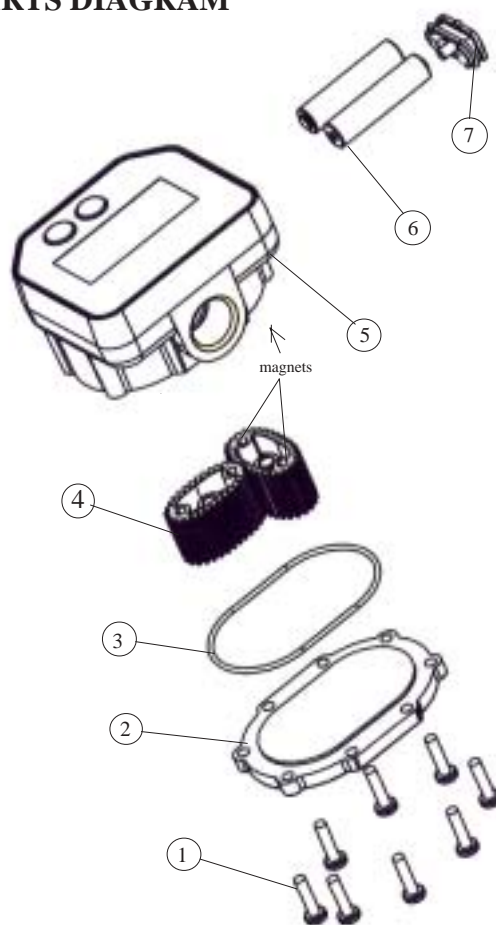
- 1) Replace both rotors (4) so as they are at 90° to each other. (see fig 2). Check the rotor rotation by turning either of the rotors. If the rotors are not in mesh correctly or do not rotate freely remove one of the rotors and replace it correctly at 90° to the other rotor. Re-check the operation of the rotors.
- 2) Lightly grease the o'ring (3) and place it on the meter body.
- 3) Clean the meter cover plate (2) and place it on the body. Take care not to damage the o'ring (3).



(fig 2)

- 4) Install the 8 screws (1) and tighten in a diagonal pattern to 1nm (0.73 ft.lb). Visual check the cap has been pulled down evenly.
- 5) Test the meter by turning the rotors with a finger or by applying low air pressure (No more than a good breath) to the inlet port of the meter. This will confirm the meter is operating correctly.

PARTS DIAGRAM



(fig 3)

PARTS LIST

ITEM	PART NO	No. off	ORDER FOR REPLACEMENT		DESCRIPTION
			PART/SET		
1	N65	8		LM50K02	SCREW SET
2	IM011	1			METER COVER PLATE SET
3	BS035	1		LM50K01	O'RING SEAL
4	IM020	2			ROTOR SET
5		1	N/A		METER BODY
6		2	N/A		BATTERY SET
7		1	N/A		BATTERY COVER SET
8	IM070-BLUE	1		LM50K03	PROTECTOR SHROUD SET

ELECTRONIC MODULE

PROGRAMING DETAILS

Note: As the decimal point does not float we recommend that a maximum of 2 decimal places be used, see below for details.

The electronic module has been set up as follows:-

- a) Ensure the meter is awake before trying to enter the programming mode.
- b) If the meter goes into sleep mode during programming, it will automatically return to operating mode.
- c) To access the programs and settings, hold down the **RESET** button for 5 seconds



- d) To scroll through the setting options press the **DISP** button.

NOTE: Details for changing individual options .

For example to change the units setting on the batch total turn to item 2 - 21

2. TOTALS



totL 2

- 21 change batch total (units)
- 22 change batch total (decimal point)
- 23 change resetable accumulative total (units)
- 24 change resetable accumulative total (decimal point)
- 25 change non-resetable accumulative total (units)
- 26 change non-reset accumulative total (decimal point)
- 27 change "K" factor

3. FLOWRATE



rAtE 3

- 31 change flowrate (units)
- 32 change flowrate (decimal point)
- 33 change flowrate (time base setting)
- 34 set the amount of signal pulses to calculate flowrate
- 35 set minimum flow rate

4. DISPLAY



diSP 4

- 41 set sleep mode
- 42 change display (wake up default setting)
- 43 set sleep time

5. CALIBRATION



CALI 5

- 51 calibration adjustment

6. CONFIGURATION



CONF 6

- 6 configuration details

7. DIAGNOSTICS



dIA 7

- 71 diagnostic mode

2. TOTALS SETTINGS totL2

21 BATCH TOTAL = unit 21 (set units)

- a) Press and hold down **RESET** for 5 seconds until “totL2” appears.
- b) Press **RESET** “unit 21” will appear.
- c) Press and hold down **RESET** for 2 seconds (program will appear)
- d) Press **RESET** to scroll through the settings (ltr, gal, qrt) to the desired units
- e) Press and hold down **RESET** until “program” disappears to accept setting.
- f) Press “**RESET**” for five seconds to return the meter to the operating mode.

22 BATCH TOTAL = dEC 22 (set decimal point)

- a) Press and hold down **RESET** for 5 seconds until “totL2” appears.
- b) Press **RESET** twice “dEC 22” will appear.
- c) Press and hold down **RESET** for 2 seconds (program will appear)
- d) Press **RESET** to set the decimal point to 1st, 2nd, 3rd or no decimal place. (e.g 11111.1 = 1 decimal place)
- e) Press and hold down **RESET** until “program” disappears to accept setting.
- f) Press **RESET** for five seconds to return the meter to the operating mode.

23 RESETABLE ACCUM TOTAL = unit 23 (set units)

- a) Press and hold down **RESET** for 5 seconds until “totL2” appears.
- b) Press **RESET** 3 times “unit 23” will appear.
- c) Press and hold down **RESET** for 2 seconds (program will appear)
- d) Press **RESET** to scroll through the settings (ltr, gal, qrt) to the desired units
- e) Press and hold down **RESET** until “program” disappears to accept setting.
- f) Press **RESET** for five seconds to return the meter to the operating mode.

24 RESETABLE ACCUM TOTAL = dEC 24 (set decimal point)

- a) Press and hold down **RESET** for 5 seconds until “totL2” appears.
- b) Press **RESET** 4 times “dEC 24” will appear.
- c) Press and hold down **RESET** for 2 seconds (program will appear)
- d) Press **RESET** to set the decimal point to 1st, 2nd, 3rd or no decimal place (e.g. 11111.1 = 1 decimal place).

- e) Press and hold down **RESET** until “program” disappears to accept setting.
- f) Press **RESET** for five seconds to return the meter to the operating mode.

25 NON-RESET ACCUM TOTAL = unit 25 (set units)

- a) Press and hold down **RESET** for 5 seconds until “totL2” appears.
- b) Press **RESET** 5 times “unit 25” will appear.
- c) Press and hold down **RESET** for 2 seconds (program will appear)
- d) Press **RESET** to scroll through the settings (ltr, gal, qrt) to the desired units.
- e) Press and hold down **RESET** until “program” disappears to accept setting.
- f) Press **RESET** for five seconds to return the meter to the operating mode.

26 NON-RESET ACCUM TOTAL = dEC 26 (set decimal point)

- a) Press and hold down **RESET** for 5 seconds until “totL2” appears.
- b) Press **RESET** 6 times “dEC 26” will appear.
- c) Press and hold down **RESET** for 2 seconds (program will appear)
- d) Press **RESET** to set the decimal point to 1st, 2nd, 3rd or no decimal place (e.g. 11111.1 = 1 decimal place).
- e) Press and hold down **RESET** until “program” disappears to accept setting.
- f) Press **RESET** for five seconds to return the meter to the operating mode.

27 “K” FACTOR = kFac 27 (normal setting is 112.00 pulses)

- a) Press and hold down **RESET** for 5 seconds until “totL2” appears.
- b) Press **RESET** 7 times “kFac 27” will appear.
- c) Press and hold down **RESET** for 2 seconds (program will appear)
- d) To change the ‘K’ factor, press **RESET** (digit will flash), to change digit press **RESET**.

Press **DISP** to scroll to the next number. Press **RESET** to change the value

To change the decimal point, press **DISP** until it is in the required position. Press **RESET** to set the decimal point.

- e) Press and hold down **RESET** until “program” disappears to accept setting.
- f) Press **RESET** for five seconds to return the meter to the operating mode.

3. FLOW RATE rAtE 3

31 UNITS = unit 31 (set units)

- a) Press and hold down **RESET** for 5 seconds until “totL2” appears.
- b) Press the **DISP** button 1 time to reach “rAtE 3”
- c) Press **RESET** “ unit 31” will appear.
- d) Press and hold down **RESET** for 2 seconds (program will appear)
- e) Press **RESET** to scroll through the settings (ltr, gal, qrt) to the desired units
- f) Press and hold down **RESET** until “program” disappears to accept setting.
- g) Press **RESET** for five seconds to return the meter to the operating mode.

32 DECIMAL POINT = dEC 32. (decimal point setting)

- a) Press and hold down **RESET** for 5 seconds until “totL2” appears.
- b) Press the **DISP** button 1 time to reach “rAtE 3”
- c) Press **RESET** twice “ dEC 32” will appear.
- d) Press and hold down **RESET** for 2 seconds (program will appear)
- e) Press **RESET** to set the decimal point to 1st, 2nd, 3rd or no decimal place (e.g. 11111.1 = 1 decimal place)
- f) Press and hold down **RESET** until “program” disappears to accept setting.
- g) Press **RESET** for five seconds to return the meter to the operating mode.

33 TIME = tiME 33 (rate time base)

- a) Press and hold down **RESET** for 5 seconds until “totL2” appears.
- b) Press the **DISP** button 1 time to reach “rAtE 3”
- c) Press **RESET** 3 times “tiME 33” will appear.
- d) Press and hold down **RESET** for 2 seconds (program will appear)
- e) Press **RESET** to set time base (seconds, minutes, hours)
- f) Press and hold down **RESET** until “program” disappears to accept setting.
- g) Press **RESET** for five seconds to return the meter to the operating mode.

34 NUMBER OF PULSES = nuM 34 (Number of pulses used to calculate flowrate)

Note: When there is fluctuating flowrate present increasing the number will give a more accurate flowrate reading. (number range is 0 - 299)

- a) Press and hold down **RESET** for 5 seconds until “totL2” appears.
- b) Press the **DISP** button 1 time to reach “rAtE 3”
- c) Press **RESET** 4 times “ NUM 34” will appear.
- d) Press and hold down **RESET** for 2 seconds (program will appear and the digit will flash). To change press **RESET**
- e) Press **DISP** to go to the next digit. To change press **RESET**

- f) Press and hold down **RESET** until “program” disappears to accept setting.

- g) Press **RESET** for five seconds to return the meter to the operating mode

35 FLOW = Cut 35 (Set minimum measurable flowrate)

This value is the maximum time (sec) to measure the number of pulses set in nuM34

- a) Press and hold down **RESET** for 5 seconds until “totL2” appears.
- b) Press the **DISP** button 1 time to reach “rAtE 3”
- c) Press **RESET** 5 times “ Cut 35” will appear.

- d) Press and hold down **RESET** for 2 seconds (program will appear and the digit will flash). To change press **RESET**

- e) Press **DISP** to go to the next digit. To change press **RESET**

Note : Total number 999.9

- f) Press and hold down **RESET** until “program” disappears to accept setting.

- g) Press **RESET** for five seconds to return the meter to the operating mode.

4. DISPLAY diSP 4

41 SLEEP MODE = SLP 41 (set sleep mode)

- a) Press and hold down **RESET** for 5 seconds until “totL2” appears.

- b) Press the **DISP** button 2 times to reach “diSP 4”

- c) Press **RESET** “ SLP41” will appear.

- d) Press and hold down **RESET** for 2 seconds (program will appear)

- e) Press **RESET** to select sleep setting (no sleep, sleep)

- f) Press and hold down **RESET** until “program” disappears to accept setting.

- g) Press **RESET** for five seconds to return the meter to the operating mode.

42 UNIT = unit 42 (set default display)

Note: The display will reset to the default units after a time which is set in time 43. If no units are set, the display will remain as selected

- a) Press and hold down **RESET** for 5 seconds until “totL2” appears.

- b) Press **RESET** 2 times “ unit 42 ” will appear.

- c) Press and hold down **RESET** for 2 seconds (program will appear)

- d) Press **RESET** to select required display (batch, reset total, total, rate, blank)

- e) Press and hold down **RESET** until “program” disappears to accept setting.

- f) Press **RESET** for five seconds to return the meter to the operating mode.

43 TIME = tiME 43 (time to revert to default display)

- a) Press and hold down **RESET** for 5 seconds until “totL2” appears.
- b) Press the **DISP** button 2 times to reach “tiME 43”
- c) Press and hold down **RESET** for 2 seconds (program will appear)
- d) Press **RESET** to select default time (5-20 seconds)
- e) Press and hold down **RESET** until “program” disappears to accept setting.
- f) Press **RESET** for five seconds to return the meter to the operating mode.

5. CALIBRATION CALI 5

Note: Provides calibration adjustment up to +/- 5% of reading. You will need to calculate the percentage adjustment you require. If the meter is reading over you will need to enter a minus figure. If the meter is reading under you will need to enter a plus figure.

Step 1. Reset the batch reading to zero.

Step 2. Dispence at least 5 liters, using a constant flow rate, into a graduated calibrated container.

Step 3. Take the reading from the IM50.

Step 4. Calculate the % error as follows.

$$\% \text{ error} = ((\text{container volume} - \text{IM50 volume}) / \text{container volume}) * 100$$

Step 5. Enter the % error into the meter as calculated, if the value is negative enter a negative number

51 CALIBRATION = CALI 51 (adjust calibration +/- 5%)

- a) Press and hold down **RESET** for 5 seconds until “totL2” appears.
- b) Press the **DISP** button 3 times to reach “CALI 5”
- c) Press **RESET** “CALI 51” will appear.
- d) Press and hold down **RESET** for 2 seconds (program will appear and the first digit will flash)
- e) Press **RESET** to change number.
Press **DISP** to change the decimal point position, or go to the next number.
Press the **RESET** button to set the negative value.
- f) Press and hold down **RESET** until “program” disappears to accept setting.
- g) Press **RESET** for five seconds to return the meter to the operating mode.

6. CONFIGURATION CONF 6

6 CONFIGURATION = CONF 6 (configuration details)

- a) Press and hold down **RESET** for 5 seconds until “totL2” appears.
- b) Press the **DISP** button 4 times to reach “CONF 6”
- c) Press **RESET** “MOD” plus model number will appear.

- d) Press **RESET** “REL” plus hardware release number will appear.
- e) Press **RESET** the screen will flash between “SOFT” and the software release no’s (at 2 second intervals)
- f) Press **RESET** the screen will flash between “Ser” and the 6 figure serial number (at 2 second intervals)
- g) Press **RESET** “MAN” plus manufacturer number
- h) Press **RESET** the screen will flash between “CONFIG” and the configuration number (at 2 second intervals).
- i) Press **RESET** for five seconds to return the meter to the operating mode.

7. DIAGNOSTICS dIA 7

71 DIAGNOSTICS = dIA 7 (diagnostic mode)

- a) Press and hold down **RESET** for 5 seconds until “MEtr 1” appears.
 - b) Press the **DISP** button 5 times to reach “dIA 7”
 - c) Press **RESET** “ dIA 71” will appear.
 - d) Press and hold down **RESET** for 2 seconds (Program will appear then all the segments should be displayed).
 - e) Press the **DISP** button “diSP” (to check that the display button is working properly).
 - f) Press the **RESET** button “RESEt” (to check that the reset button is working properly).
 - g) Press and hold down **RESET** for 2 seconds (Program will disappear (check the condition of the reed switch).
- Note: The display shows (Hxx rYY) when fluid flows through the meter. YY is the sensitivity of the reed switch.
- The condition of the reed switch can only be checked when there is liquid flowing through the meter. The reed switch should be reading between 50 - 80.
- h) Press **RESET** for five seconds to return the meter to the operating mode.

NOTES:

TROUBLE SHOOTING GUIDE

TROUBLE	CAUSE	REMEDY
No fluid passing through the meter	a) Dirt particles jamming the rotors	a) Remove rotors and remove any dirt or contamination
The meter is not registering fluid output	a) Flat battery	a) Replace battery
	b) No signal from rotor to the magnets	b) Check magnets and replace rotors if required
	c) Damaged computer (reed switch unit)	c) Replace meter
Meter not accurate	a) Flow rate outside recommended flow rate	a) Adjust flow rate to
	b) "K" factor incorrect	b) Re-set "K" factor to factory setting (112.00 pulses)

SPECIFICATIONS

Accuracy	+ / - 0.5% of Reading
Type	Oval Gear
Flow rate	1 Ltr -30 Ltr (0.26 - 7.8 US Gal) per minute
Maximum Working Pressure	10350kPa / 1500psi / 103.5 Bar
Suitable for use with :	Engine Oil, Diesel Oil, Automatic Transmission Fluid (Maximum Viscosity SAE140), Ethelene Glycol Based Anti-Freeze / Anti-Boil mixture (Max 50% water)
Wetted Materials	Acetal, Aluminium, Steel, Nitrile Rubber
Battery Type	2 x AAA Alkaline
Resettable Totalizer	999999 (ltr or gal)
Non-Resettable Totalizer	999999 (ltr or gal)
Connections	1/2" BSPT or 1/2" NPT
Maximum Temperature	55 deg C (131 deg F)
Minimum Temperature	5 deg C (41 deg F)

Great Plains Industries, Inc. 5252 E. 36th Street North, Wichita, KS USA 67220-3205, hereby provides a limited warranty against defects in material and workmanship on all products manufactured by Great Plains Industries, Inc. This product includes a 1 year warranty. Manufacturer's sole obligation under the foregoing warranties will be limited to either, at Manufacturer's option, replacing or repairing defective Goods (subject to limitations hereinafter provided) or refunding the purchase price for such Goods theretofore paid by the Buyer, and Buyer's exclusive remedy for breach of any such warranties will be enforcement of such obligations of Manufacturer. The warranty shall extend to the purchaser of this product and to any person to whom such product is transferred during the warranty period.

The warranty period shall begin on the date of manufacture or on the date of purchase with an original sales receipt. This warranty shall not apply if:

- A. the product has been altered or modified outside the warrantor's duly appointed representative;
- B. the product has been subjected to neglect, misuse, abuse or damage or has been installed or operated other than in accordance with the manufacturer's operating instructions.

To make a claim against this warranty, contact the GPI Customer Service Department at 316-686-7361 or 888-996-3837. Or by mail at:

Great Plains Industries, Inc.
5252 E. 36th St. North
Wichita, KS, USA 67220-3205

The company shall, notify the customer to either send the product, transportation prepaid, to the company at its office in Wichita, Kansas, or to a duly authorized service center. The company shall perform all obligations imposed on it by the terms of this warranty within 60 days of receipt of the defective product.

GREAT PLAINS INDUSTRIES, INC., EXCLUDES LIABILITY UNDER THIS WARRANTY FOR DIRECT, INDIRECT, INCIDENTAL AND CONSEQUENTIAL DAMAGES INCURRED IN THE USE OR LOSS OF USE OF THE PRODUCT WARRANTED HEREUNDER.

The company herewith expressly disclaims any warranty of merchantability or fitness for any particular purpose other than for which it was designed.

This warranty gives you specific rights and you may also have other rights which vary from U.S. state to U.S. state.

Note: In compliance with MAGNUSON MOSS CONSUMER WARRANTY ACT - Part 702 (governs the resale availability of the warranty terms).

