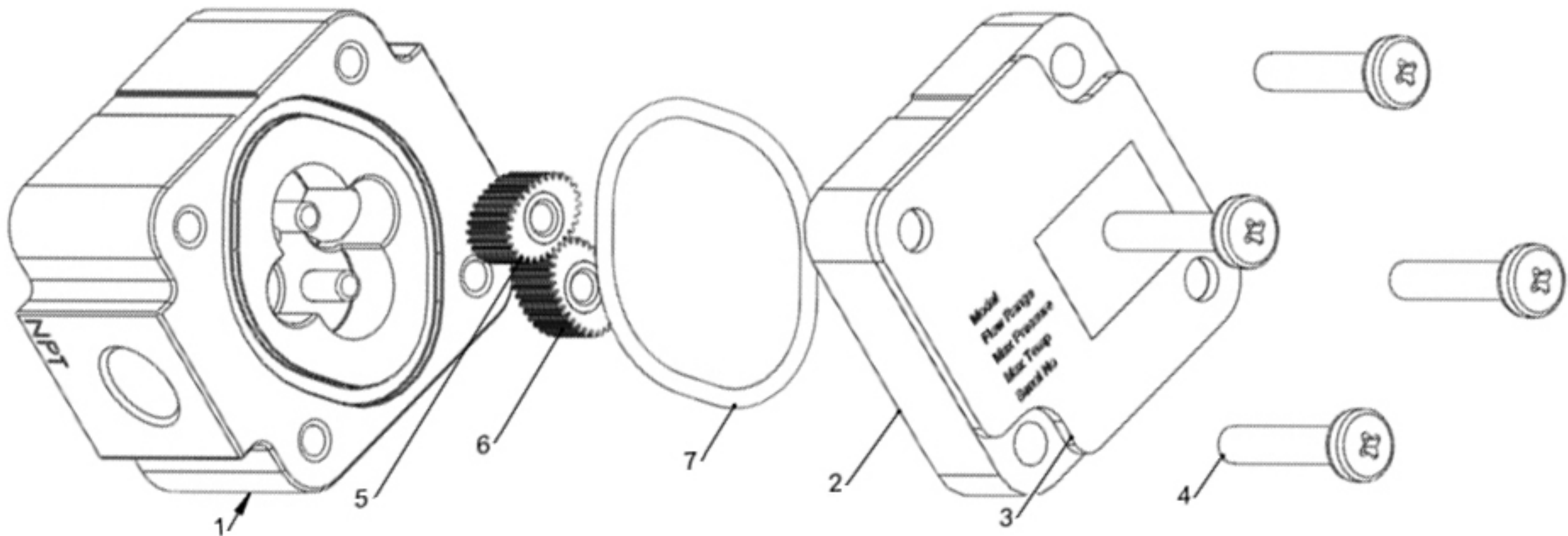


# GM SERIES OVAL GEAR FLOW METERS

## GM001 GM002 GM003



Item No.	Model	Part Number	Description	Option	
1 <i>Meter Body Set</i>	GM001	MS605BS	1/8" RP (BSP) Aluminium Meter Body	MS6051BS (RC)	
		MS605NS	1/8" NPT Aluminium Body		
		MS600BS	1/8" RP (BSP) Stainless Steel Meter Body	MS6001BS (RC)	
		MS600NS	1/8" NPT Stainless Steel Meter Body		
	GM002	MS1AL-1S	1/4" RP (BSP) Aluminium Meter Body	MS1AL-11S (RC)	
		MS1AL-2S	1/4" NPT Aluminium Meter Body		
		MS1S-1S	1/4" RP (BSP) Stainless Steel Meter Body	MS1S-11S (RC)	
		MS1S-2S	1/4" NPT Stainless Steel Meter Body		
		MS1R-1C	1/4" RC (BSP) PPS (Fortron®)		
		MS1R-2S	1/4" NPT PPS (Fortron®)		
	GM003	MS2AL-1S	1/4" RP (BSP) Aluminium Meter Body	MS2AL-11S (RC)	
		MS2AL-2S	1/4" NPT Aluminium Meter Body		
		MS2S-1S	1/4" RP (BSP) Stainless Steel Meter Body	MS2S-11S (RC)	
		MS2S-2S	1/4" NPT Stainless Steel Meter Body		
		MS2R-1C	1/4" RC (BSP) PPS (Fortron®)		
		MS2R-2S	1/4" NPT PPS (Fortron®)		
	2 <i>Meter Cap Set</i>	GM001/2/3	MS1180AS	Aluminium Cap c/w 1 metre Cable	Hall/Reed Combo
			MS1180-1AS	Stainless Steel Cap c/w 1 metre Cable	Hall/Reed Combo
MS1180RAS			PPS Cap c/w 1 metre Cable	Hall/Reed Combo	
3	GM001/2/3	MS1193GPIS	Legend Plate Kit		
4 <i>Screw Set</i>	GM001/2/3	MS1228S	M5x20 Pan Head SS Phillips	Aluminium x 4	
		MS1213S	M5x25 SHCS A4-80 SS Cap Screws	Stainless Steel x 4	
	GM002/3	MS1228S	M5x20 Pan Head SS Phillips	PPS x 4	
5 & 6 <i>Rotor Set</i>	Available in set of two only	MS601S	Stainless Steel M05 Rotor Set	Suits Reed/Hall	
		MS6-1S	Stainless Steel M1 Rotor Set	Suits Reed/Hall	
		MS814S	Stainless Steel M2 Rotor Set	Suits Reed/Hall	
		MS6S	PPS M1 Rotor Set	Suits Reed/Hall	
		MS813S	PPS M2 Rotor Set	Suits Reed/Hall	
		MS814HS	St St M2 High Viscosity Rotor Set	Suits Reed/Hall	
7	GM001/2/3	RS029ES	EPDM O'ring		

Notes  
5 rotor c/w magnet (s)  
6 Neutral rotor

7	GI1001/2/3	BS029ES	EPDM O'ring	
O'Ring Set		BS029VS	FKM (Viton®) O'ring	
		BS029PS	FFPM (Perfluor™) O'ring	