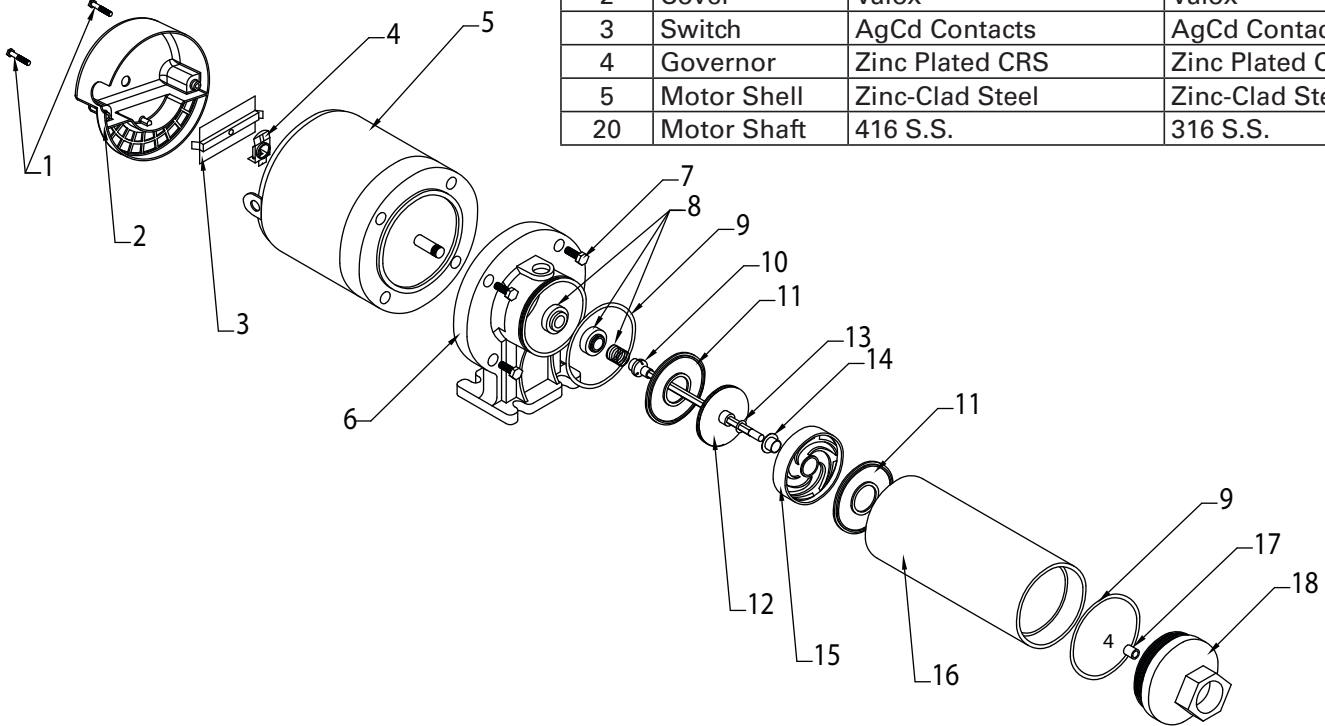


CONSTRUCTION MATERIALS - MOTOR

ITEM NO.	DESCRIPTION	CAST IRON/POWDER-COATED MODELS	SS MODELS
1	Cover Bolts (2)	Plated Steel	Plated Steel
2	Cover	Valox	Valox
3	Switch	AgCd Contacts	AgCd Contacts
4	Governor	Zinc Plated CRS	Zinc Plated CRS
5	Motor Shell	Zinc-Clad Steel	Zinc-Clad Steel
20	Motor Shaft	416 S.S.	316 S.S.



IL0127

CONSTRUCTION MATERIALS - PUMP

ITEM NO.	DESCRIPTION	CAST IRON/POWDER-COATED MODELS	SS MODELS
6	Mounting Ring	Cast Iron/Powder-Coated	316 S.S.
7	Motor/Mounting Ring Bolts (4)	Plated Steel	Plated Steel
8	Seal, Rotary w/Spring	Ceramic - Carbon/S.S. & Buna N	Ceramic-Carbon/S.S. & Viton
9	O-Ring (2)	Buna-N	Viton
10	Coupling	316 Sintered S.S.	316 Sintered S.S.
11	Plate	Celcon	Celcon
12	Impeller	Noryl 731	Noryl 731
13	Shim as Required	300 S.S.	300 S.S.
14	Bearing	300 S.S.	300 S.S.
15	Diffuser	Noryl 731	Noryl 731
16	Barrel	304 S.S.	304 S.S.
17	Discharge Bearing	Sintered Bronze	Sintered Bronze
18	Discharge Head	Cast Iron/Powder-Coated	316 S.S.
19	Pump Shaft	416 S.S.	316 S.S.