

FLOATING POND PUMP REPAIR PARTS FPS05021, FPS07021, FPS10021

Ref No.	Description	1/2 HP	3/4 HP	1 HP	Qty
*1	Screw - #10 x 3/4 Slotted Hex Head or Pan Head Sheet Metal Screw (18-8 Stainless Steel)	*	*	*	6
2A	Nozzle - Water Lily	021617	021617	021617	1
2B	Nozzle - Sky Cannon	021618	021618	021618	1
2C	Nozzle - Water Trumpet	021619	021619	021619	1
3	O-Ring - AS568A - 041 (3" ID x 3/18" OD)	021622	021622	021622	1
4	Bolt - SS 1/4-20 x 3/4	*	*	*	4
5	Lockwasher SS - 1/4"	*	*	*	6
6	Mounting Flange	021707	021707	021707	1
7	Float	022912	022523	022523	1
8	Pump End	021713	022999	023000	1
9	Motor 230V	022985	022517	022986	1
10	Locknut - SS 5/16-24	127021	127021	127021	4
11	100 ft. power cord	022516	022516	022516	1
12	Eye Bolt - SS 1/4-20 x 2-1/2	*	*	*	2
12A	Bolt - SS - 1/4 - 20	*	*	*	2
13	Locknut - SS 1/4--20	*	*	*	2
14	Screen	022913	022913	022694	1
15	Screen Cap	021611	021611	021611	1
16	Strain Relief	021613	021613	021613	1
▲	Warning Decal	021625	021625	021625	2
▲	Splice Kit	022919	022919	022919	1
▲▲	Timer (pump or light)	022697	022697	022697	1
▲▲	GFI	022698	022698	022698	1
▲▲	Contact	022902	022902	022902	1

(*) Standard hardware item, available locally

(▲) Not Shown

(▲▲) In control center

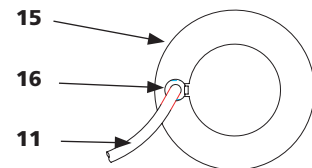
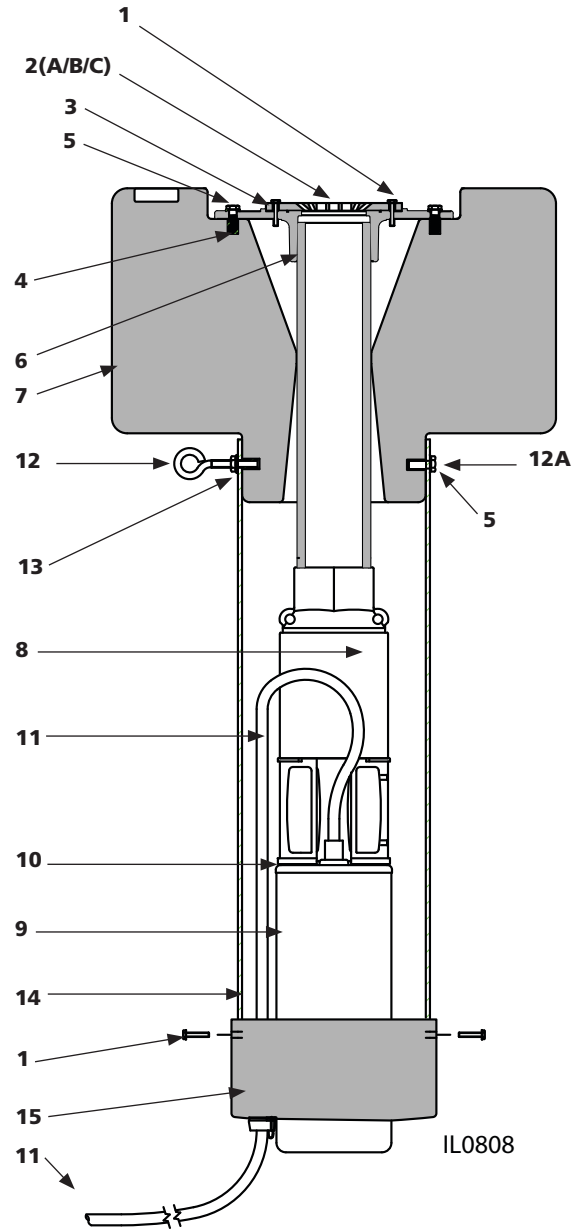


Figure 7 - Parts Illustration for Floating Pond System

Flow (GPH)	Spray Height (Ft.)	Pattern Image	Pattern Name
1/2 HP 4900	15		Water Lily - 2A
3/4 HP 5825	22		(Factory Installed)
1 HP - 6150	24		
1/2 HP 3300	15		Sky Cannon - 2B
3/4 HP 4100	35		
1 HP 4200	41		
1/2 HP 2700	13		Water Trumpet - 2C
3/4 HP 3400	20		
1 HP 3600	22		