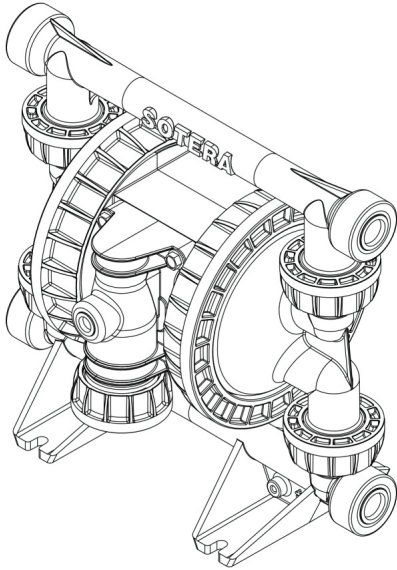


1/2" Air Operated Diaphragm Pump

Model SP100-05X-XX-XXX-X
1:1 Ratio (non-metallic)

Installation and Operation Manual



Pump Technical Data

Pump Type: Non-Metallic Air Operated Double Diaphragm

Models: See Model Description Chart for "-XXX"

Construction Materials: See Model Description Charts

Weight: Varies with materials of construction

Maximum Air Inlet Pressure: 100 p.s.i.g. (6.9 bar)

Maximum Material Inlet Pressure: 10 p.s.i.g. (.69 bar)

Maximum Outlet Pressure: 100 p.s.i.g. (6.9 bar)

Air Consumption (@ 40 p.s.i.): 0.65 c.f.m. / gallon (approx.)

Air Connection: 1/4" NPT

Maximum Flow Rate (flooded inlet): 17.5 g.p.m. (66.23 l.p.m.)

Displacement / Cycle @ 100 p.s.i.g.: 0.036 gal. (0.14 lit.)

Maximum Particle Size: 3/32" dia. (2.4 mm)

Maximum Temperature Limits:

Acetal. 10° to 180° F (-12° to 82° C)

HYTREL® -20° to 150° F (-29° to 66° C)

PVDF. 10° to 200° F (-12° to 93° C)

Polypropylene 35° to 175° F (2° to 79° C)

Santoprene® -40° to 225° F (-40° to 107° C)

PTFE 40° to 225° F (4° to 107° C)

Dimensional Data (Box): 11-3/4"(H) x 14-1/4" (W) x 9-1/8" (D)

Weight Information:

Pump Material	Pump Weight lbs	Pump Weight Kg	Shipping Weight lbs	Shipping Weight Kg
Polypropylene	5.7	2.6	7.2	3.3
PVDF	7.2	3.3	8.7	4.0
Groundable Acetal	6.8	3.1	8.3	3.8

Noise Level: 72.6 db (@ 70 p.s.i., 60 c.p.m.)

⚠ CAUTION Read this manual carefully and completely PRIOR to installing, operating, or servicing this equipment. Keep this manual for future reference.

Model Description Information

SP100-05X-XX-XXX-X

PORT SIZE									
FLUID CONNECTION									
N - 1/2-14 NPTF-1									
B - Rp 1/2 (BSPP)									
DRIVE MATERIAL OF CONSTRUCTION									
P - POLYPROPYLENE									
C - GROUNDABLE NYLON									
WET-END MATERIAL OF CONSTRUCTION									
P - POLYPROPYLENE									
D - GROUNDABLE ACETAL									
F - PVDF									
DIAPHRAGM									
S - SANTOPRENE®									
H - HYTREL®									
T - PTFE WITH SANTOPRENE® BACKER									
BALLS									
S - SANTOPRENE®									
H - HYTREL®									
T - PTFE									
M - STAINLESS STEEL									
SEATS									
S - SANTOPRENE®									
H - HYTREL®									
P - PP (w/PTFE seal)									
F - PVDF (w/PTFE seal)									
D - Acetal (w/PTFE seal)									
OPTIONS									
FLUID SECTION SERVICE KIT									
DIAPHRAGM									
BALLS									
SEATS									

NOTICE: All possible options are shown in the chart, however, certain combinations may not be recommended, consult a representative or the factory if you have questions concerning availability.

Safety Information Icons

⚠ WARNING Hazards or unsafe practices which could result in severe personal injury, death or substantial property damage.

⚠ CAUTION Hazards or unsafe practices which could result in minor personal injury, product or property damage.

⚠ IMPORTANT Important installation, operation or maintenance information.



Operating and Safety Information

⚠ WARNING **EXCESSIVE AIR PRESSURE.** Can cause personal injury, pump damage, or property damage.

- Do not exceed the maximum inlet air pressure as stated on the pump.
- Be sure material hoses and other components are able to withstand fluid pressures developed by this pump. Check all hoses for damage or wear. Be certain dispensing device is clean and in proper working condition.

⚠ WARNING **EXPLOSION HAZARD.** Pumping low flash point fluids can cause personal injury, pump damage, or property damage.

⚠ WARNING **STATIC SPARK.** Can cause explosion resulting in severe injury or death. Ground pump and pumping system.

- **Groundable Acetal pumps:** Use the pump ground lug provided. Connect to a 12 ga. (minimum) wire (kit is included) to a good earth ground source (see page 4 for details).
- Sparks can ignite flammable material and vapors.
- The pumping system and object being sprayed must be grounded when it is pumping, flushing, recirculating or spraying flammable materials such as paints, solvents, lacquers, etc. or used in a location where surrounding atmosphere is conducive to spontaneous combustion. Ground the dispensing valve or device, containers, hoses and any object to which material is being pumped.
- Secure pump, connections and all contact points to avoid vibration and generation of contact or static spark.
- Consult local building codes and electrical codes for specific grounding requirements.
- After grounding, periodically verify continuity of electrical path to ground. Test with an ohmmeter from each component (e.g., hoses, pump, clamps, container, spray gun, etc.) to ground to insure continuity. Ohmmeter should show 0.1 ohms or less.
- Submerge the outlet hose end, dispensing valve or device in the material being dispensed if possible. (Avoid free streaming of material being dispensed.)
- Use hoses incorporating a static wire.
- Use proper ventilation.
- Keep inflammables away from heat, open flames and sparks.
- Keep containers closed when not in use.

⚠ WARNING **PUMP EXHAUST MAY CONTAIN CONTAMINANTS.** Can cause severe injury. Pipe exhaust away from work area and personnel.

- In the event of a diaphragm rupture, material can be forced out of the air exhaust muffler.
- Pipe the exhaust to a safe remote location when pumping hazardous or flammable materials.
- Use a grounded 3/8" minimum i.d. hose between the pump and the muffler.

⚠ WARNING **HAZARDOUS PRESSURE.** Can result in serious injury or property damage. Do not service or clean pump, hoses or dispensing valve while the system is pressurized.

- Disconnect air supply line and relieve pressure from the system by opening dispensing valve or device and / or carefully and slowly loosening and removing outlet hose or piping from pump.

⚠ WARNING **HAZARDOUS MATERIALS.** Can cause serious injury or property damage. Do not attempt to return a pump to the factory or service center that contains hazardous material. Safe handling practices must comply with local and national laws and safety code requirements.

- Obtain Material Safety Data Sheets on all materials from the supplier for proper handling instructions.

⚠ WARNING **EXPLOSION HAZARD.** Models containing aluminum parts cannot be used with 1,1,1-trichloroethane, methylene chloride or other halogenated hydrocarbon solvents which may react and explode.

- Check air drive section, fluid caps, manifolds and all wetted parts to assure compatibility before using with solvents of this type.

⚠ CAUTION Verify the chemical compatibility of the pump wetted parts and the substance being pumped, flushed or recirculated. Chemical compatibility may change with temperature and concentration of the chemical(s) within the substances being pumped, flushed or circulated. For specific fluid compatibility, consult the chemical manufacturer.

⚠ CAUTION Maximum temperatures are based on mechanical stress only. Certain chemicals will significantly reduce maximum safe operating temperature. Consult the chemical manufacturer for chemical compatibility and temperature limits.

⚠ CAUTION Be certain all operators of this equipment have been trained for safe working practices, understand it's limitations, and wear safety goggles / equipment when required.

⚠ CAUTION Do not use the pump for the structural support of the piping system. Be certain the system components are properly supported to prevent stress on the pump parts. Suction and discharge connections should be flexible connections (such as hose), not rigid piped, and should be compatible with the substance being pumped.

⚠ CAUTION Prevent unnecessary damage to the pump. Do not allow pump to operate when out of material for long periods of time.

- Disconnect air line from pump when system sits idle for long periods of time.

Operating and Safety Information (cont'd)

CAUTION Use only genuine Sotera replacement parts to assure compatible pressure rating and longest service life.

IMPORTANT Install the pump in the vertical (upright) position. The pump may not prime properly if the balls do not check by gravity upon start-up.

IMPORTANT Re-torque all fasteners and rings before operation. Creep of housing and gasket materials may cause fasteners and rings to loosen. Re-torque all fasteners and rings to insure against fluid or air leakage (torque specifications are on page 8).

IMPORTANT Attach proper warning label to pump outlet manifold (label supplied in four languages: part # LB000646-000).

Replacement warning labels are available upon request. Use part number listed above to order replacement.

General Description

The Sotera diaphragm pump offers high volume delivery even at low air pressure and a broad range of material compatibility options are available. Refer to the model and option chart. Sotera pumps feature modular air motor and fluid sections that are designed to be stall free.

Air operated double diaphragm pumps utilize a pressure differential in the air chambers to alternately create suction and a positive fluid pressure in the fluid chambers. Ball checks insure a positive flow of fluid.

Pump cycling will begin as air pressure is applied. When cycling, it will build and maintain line pressure, and will stop cycling once maximum line pressure is reached (dispensing device closed). The pump will resume cycling as needed (as the dispensing device is opened and closed).

Air and Lubrication Requirements

WARNING EXCESSIVE AIR PRESSURE Can cause pump damage, personal injury or property damage.

- A filter capable of filtering out particles larger than 50 microns should be used on the air supply. There is no lubrication required other than the O-ring lubricant which is applied during assembly.
- If lubricated air is present, make sure that it is compatible with the O-rings and seals in the air motor section of the pump.

Installation Information

WARNING A quick-connect air coupling (D) is required in your system to relieve air trapped between this valve and the pump. Trapped air can cause the pump to cycle unexpectedly, which could result in serious injury, including splashing in the eyes or on the skin, or contamination from hazardous fluids.

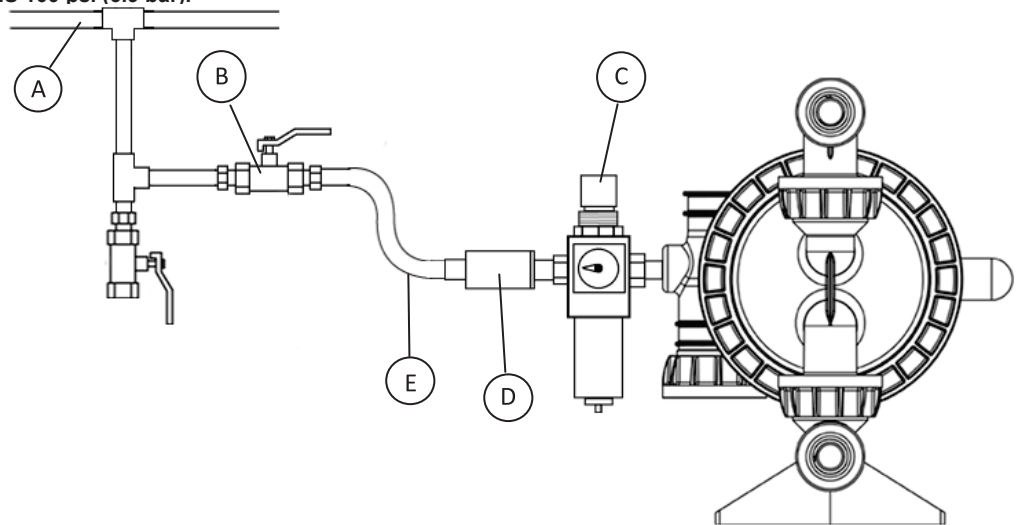
CAUTION The pump exhaust air may contain contaminants. Ventilate to a remote area if the contaminants could affect your fluid supply. Read **Air Exhaust Ventilation** information that follows (page 4).

Air Line Installation

Install air supply lines as shown below. Mount all lines and accessories securely on the wall, or on brackets. **Use of a pressure regulating device is mandatory; MAXIMUM LINE PRESSURE IS 100 psi (6.9 bar).**

Plumb air to the pump as shown:

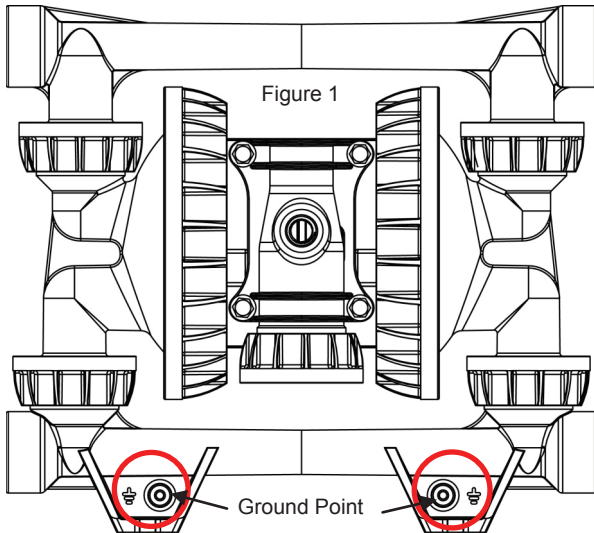
- Rigid air supply lines should be plumbed to applicable codes (A) and secured to wall mounts or brackets.
- Install a master air shut off valve (B) to allow for service and maintenance of the pump.
- Install an air filter regulator (C) (KITS05FRH) to regulate and filter the air supply to the pump (pump speed can also be controlled through this device).
- Locate a quick-connect air coupling (D) between the flex line and air regulator filter; use it to relieve trapped air when servicing.
- Install flex hose (E) between the master shut off valve (B) and the air filter regulator (C). **DO NOT** install rigid air lines to the pump; vibration from pump operation could damage the pump and/or air and fluid lines.



Installation (cont'd)

Pump Grounding

⚠ WARNING FIRE AND EXPLOSION HAZARD! Sotera SP100-05X-CD-XXX-X (Groundable Acetal) pumps must be grounded for safe and proper operation. Before operating the pump, be certain it is properly grounded as illustrated below. Read and understand the warnings on page 2 regarding grounding and spark fire hazards. An improperly grounded pump can be a fire hazard.



The SP100 pump can be grounded through the mounting feet, located on the inlet manifold (Figure 1). To reduce the risk of static spark, ground the pump and all other equipment located in the pumping area. Ground wires should be of proper size and installed per local and national electrical codes.

Never use a polypropylene or PVDF with non-conductive flammable fluids as specified by your local fire protection codes. Contact your fluid supplier to determine the conductivity or resistance of your fluid.

If there is any static spark or you feel an electrical spark while using this equipment, **stop the pump immediately! DO NOT use the equipment until the problem has been located and corrected.**

If using a conductive (acetal) pump, use conductive hoses. If using a non-conductive pump, ground the fluid system.

Installation should be planned taking proper ventilation into consideration. It is imperative that adequate fresh air ventilation be provided to prevent the build up of flammable, explosive, or toxic fumes from the fluid being pumped.

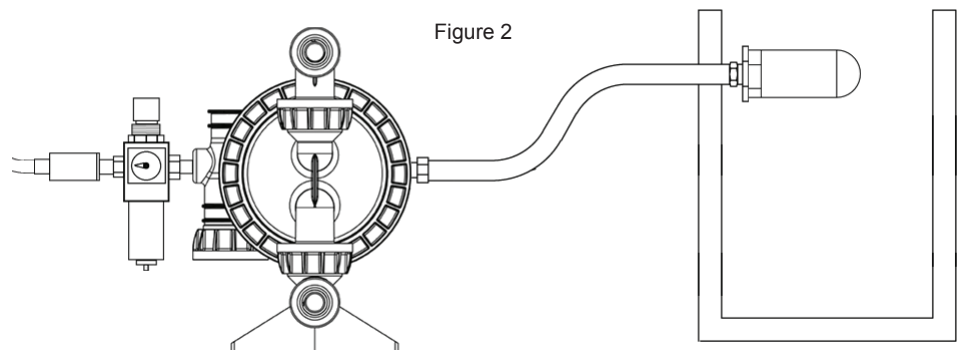
Keep the area around pump clean and free of debris, including rags, solvent and gasoline. Do not allow pilot lights or open flames near the work area; keep a fire extinguisher close for quick access.

Ventilating Exhaust Air

Diaphragm failure will cause the fluid being pumped to exhaust with the air. If pumping caustic, explosive, or flammable materials, they can be discharged with exhaust air.

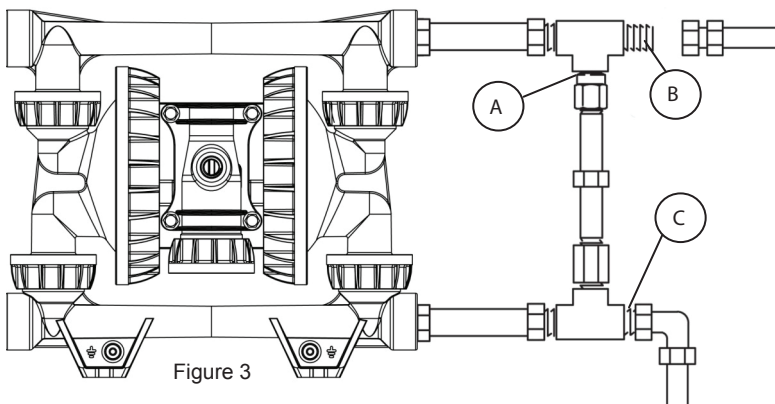
Exhaust air from the pump must be properly routed to ensure safe operation. The exhaust must be discharged in a safe place, away from where it could harm people, animals, or contaminate food preparation areas. It should also be away from any possible sources of ignition.

It is also important to place the end of the exhaust in an appropriate container to contain any liquid that may discharge (Figure 2).



Install an electrically conductive air exhaust hose, connecting the muffler at the end. Minimum diameter for the hose is 3/8" ID. If the hose run will exceed 15', a larger diameter hose is required. Take care when routing the hose to avoid kinks and sharp bend that may restrict air flow.

Fluid Pressure Relief Valve



Some systems may require installation of a pressure relief valve at the pump outlet to prevent overpressurization, and possible rupture of the pump or hose (Figure 3).

Thermal expansion of fluid in the outlet line can lead to overpressurization, even if the pump is not operating. Thermal expansion can happen when fluid lines, fluid storage containers, and pumps are exposed to sunlight or ambient heat. It can also occur when pumping fluid from a cool area (underground storage containers for example) to a warm area.

- A) Install check valve between inlet and outlet ports.
- B) Connect fluid outlet here.
- C) Connect fluid inlet here.
- D) **NEVER** install a foot valve on suction tube!

Installation (cont'd)

Pressure Relief Procedure

⚠ WARNING **WARNING! PRESSURIZED EQUIPMENT IS HAZARDOUS!** Your Sotera pump and the system it is installed in remain pressurized until the pressure is relieved manually. This creates the risk of serious injury from pressurized fluid, accidental spray, or splashing fluid if proper precautions are not followed when opening or operating the system. To minimize the risk, the following procedure should be followed any time you need to:

- Relieve pressure
- Stop Pumping
- Clean, service, or check any part of the system or pump
- Install or clean fluid spray nozzles

To safely relieve the pressure, it is paramount that you:

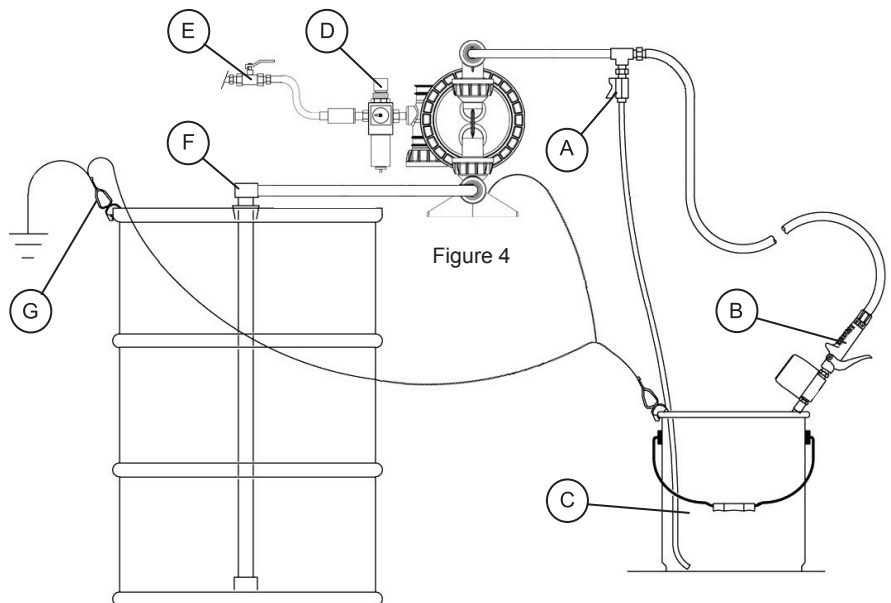
- Shut off the air supply to the pump
- Open the dispensing valve (if so equipped)
- Open the fluid drain to relieve all the fluid pressure in the system (place a container at the fluid drain to catch all discharged fluids; use caution as some pressure in the system may force fluid out of the drain rapidly).

Prepping for First Use and Initial Start Up

Your Sotera pump is tested using water during production at the factory. The pump is drained at the end of the test, but residual water may still exist internally so it is important to flush your pump thoroughly with a compatible solvent prior to first use.

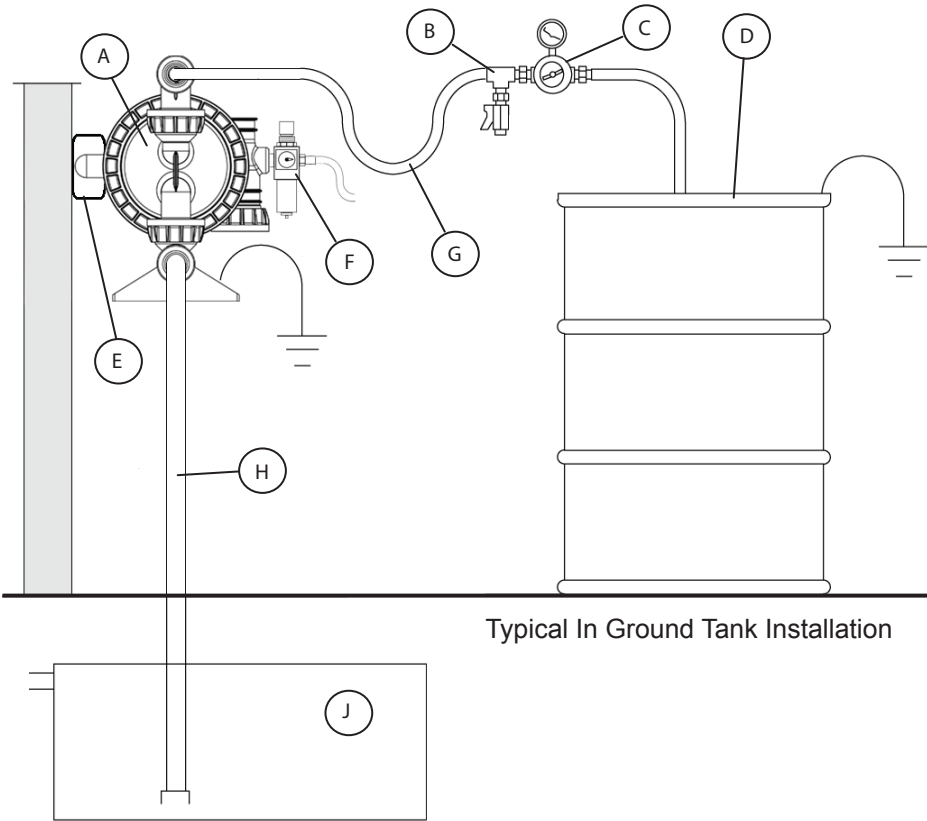
Review all “**WARNING**” and “**CAUTION**” information on page 2 prior to start up to be certain the pump is ready for operation. Re-torque all fasteners and rings prior to start up to ensure good fluid seal. Proper torque is paramount to proper sealing; **DO NOT** over torque fasteners and rings (torque specifications are located on page 8). Be sure the system and pump are grounded as necessary (G). Be sure the pump is mounted securely to a solid surface, and the system is plumbed to absorb shock and vibration (see mounting information on pages 3, 4, & 6).

- Place the suction hose (F) (if used) into the fluid container (**NOTE:** If the inlet fluid pressure is greater than 25% of the outlet working pressure, the ball check valves will not close fast enough and the pump will not work efficiently).
- Place the end of the fluid outlet line (B) in an appropriate container (C) to catch the dispensed fluid. Close the fluid drain valve (A).
- With the Air Regulator (D) completely closed, open all bleed type master air valves (E).
- If the system uses a fluid dispensing device (B), hold it open as you **slowly** open the Air Regulator (D) until the pump begins to cycle. You should cycle the pump slowly until all the air is purged from the fluid lines. The pump is now primed and ready for use.
- **NOTE:** If you are flushing the pump, be sure to run the pump long enough to completely flush the pump, lines, hoses, and dispenser.



⚠ WARNING **WARNING! PROPER PUMP SHUTDOWN!** Diaphragm and seal life may be reduced if air pressure is applied to the pump motor during long periods when the pump is not being used. Installing a 3-way solenoid valve that automatically relieves pressure on the air motor when a metering cycle is complete prevents this from occurring.

Fluid Line Installation



Typical In Ground Tank Installation

Typical In-Ground Installation

NOTE: Pump (A) and Fluid tank / drum / barrel (D) should be grounded as illustrated

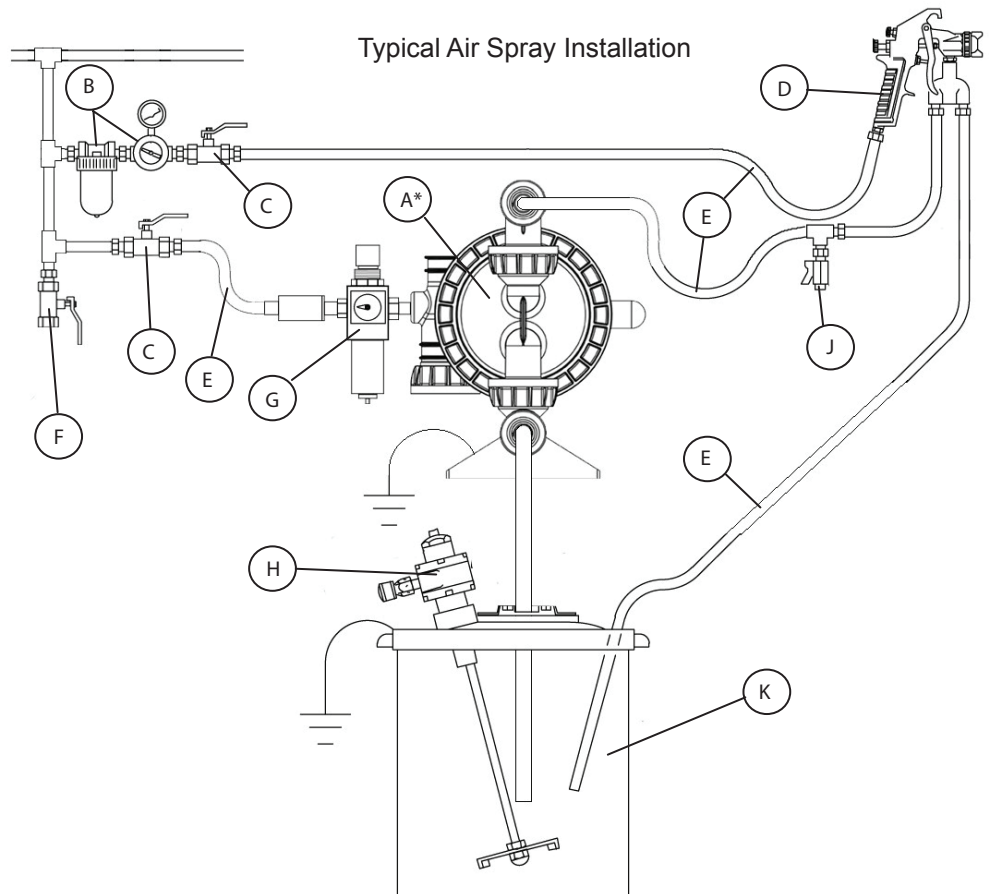
- A) SP100
- B) Fluid drain valve (recommended)
- C) Fluid regulator (optional)
- D) Fluid tank / drum / barrel
- E) Wall mount bracket (KITS05WMA)
- F) Air filter regulator (required: see air line installation information on page 3)
- G) Flex hose (outlet side)
- H) Suction tube
- J) Underground tank

Typical Air Spray Installation

NOTE: Pump (A) and Fluid Tank (K) should be grounded

- A) SP100 Pump*
- B) Air line accessories (plumb air to spray gun per manufacturer's specifications)
- C) Master air shut off valve
- D) Spray gun
- E) Flexible air & fluid hose
- F) Master air valve (for air / fluid drainage)
- G) Air filter regulator (required: see air line installation information on page 3)
- H) Agitator
- J) Fluid drain valve (recommended)
- K) 5 Gallon pail

Typical Air Spray Installation



*NOTE: Mount pump securely to a solid surface using appropriate bracketry and attaching hardware for the application.

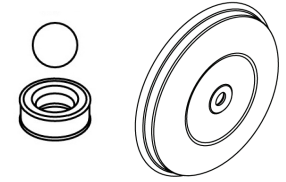
Kits and Parts

KITS05SSS Fluid Section Kit

Item	Description	Qty
20	Diaphragm, Santoprene®	2
30	Ball, Santoprene®	4
40	Seat, Santoprene®	4

KITS05HHH Fluid Section Kit HYTREL®

Item	Description	Qty
20	Diaphragm, HYTREL®	2
30	Ball, HYTREL®	4
40	Seat, HYTREL®	4



KITS05TTP Fluid Section Kit PTFE, PP

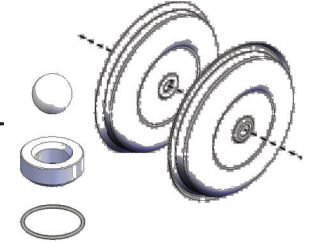
Item	Description	Qty
*	Diaphragm Backer	2
*	O-ring, PTFE	4
20	Diaphragm, PTFE	2
30	Ball, PTFE	4
40	Seat, Polypropylene	4

KITS05TTF Fluid Section Kit PTFE, PVDF

Item	Description	Qty
*	Diaphragm Backer	2
*	O-ring, PTFE	4
20	Diaphragm, PTFE	2
30	Ball, PTFE	4
40	Seat, PVDF	4

KITS05TTD Fluid Section Kit PTFE, ACETAL

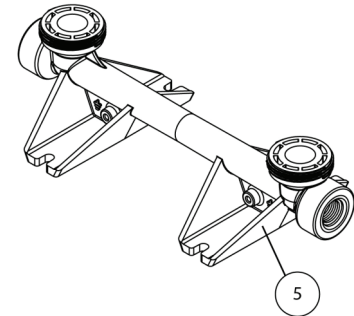
Item	Description	Qty
*	Diaphragm Backer	2
*	O-ring, PTFE	4
20	Diaphragm, PTFE	2
30	Ball, PTFE	4
40	Seat, Acetal	4



* Part not numbered / shown

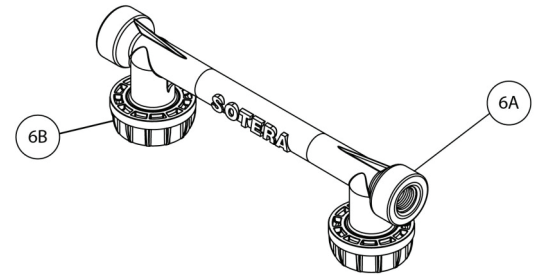
Inlet Kits

KIT	Item	Description	Material of Construction	Qty
KITS05NIP	5	Inlet	Polypropylene	1
KITS05NID	5	Inlet	Groundable Acetal	1
KITS05NIF	5	Inlet	PVDF	1
KITS05BIP	5	Inlet	Polypropylene BSPP	1
KITS05BID	5	Inlet	Groundable Acetal BSPP	1
KITS05BIF	5	Inlet	PVDF BSPP	1



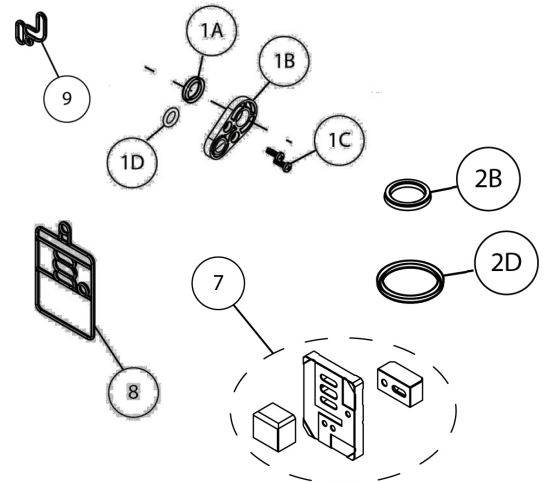
Outlet Kits

KIT	Item	Description	Material of Construction	Qty
KITS05NOP	6	Outlet	Polypropylene	1
KITS05NOD	6	Outlet	Groundable Acetal	1
KITS05NOF	6	Outlet	PVDF	1
KITS05BOP	6	Outlet	Polypropylene BSPP	1
KITS05BOD	6	Outlet	Groundable Acetal BSPP	1
KITS05BOF	6	Outlet	PVDF BSPP	1



KITS05AVA Air Valve Assembly Kit

Item	Description	Qty
1A	U-Cup, Buna-N, 1/2 x 3/4 x 1/8 **	2
1D	O-ring, Buna-N, 2 - 110	2
2B	U-Cup, Buna-N, 3/4 x 1 x 1/8 **	1
2D	U-Cup, Buna-N, 1-3/16 x 1-7/16 x 1/8 **	1
7	Ceramics	1
8	Track Gasket, Major Valve, Buna-N	1
9	Track Gasket, Pilot, Buna-N	1
*	Grease Packet	1



* Part not numbered / shown

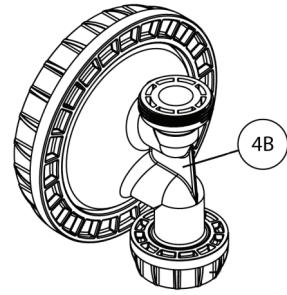
**Note installation orientation, page 8

Non-conductive models shipped with urethane U-cups.

Kits and Parts (cont'd)

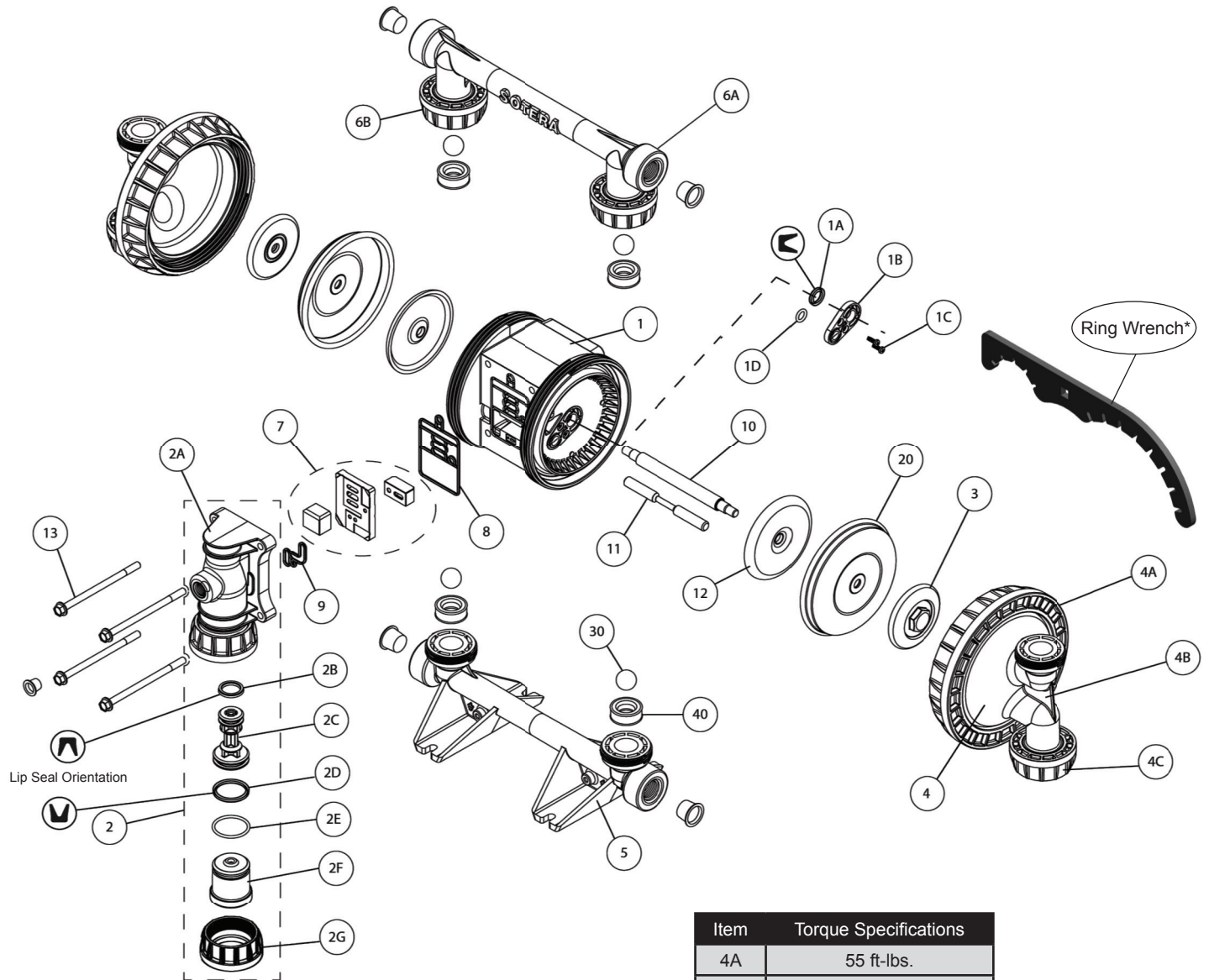
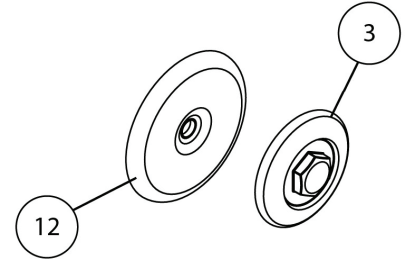
Fluid Cap Kits

KIT	Item	Description	Material of Construction	Qty
KITS05FCP	4B	Fluid Cap	Polypropylene	1
KITS05FCD	4B	Fluid Cap	Groundable Acetal	1
KITS05FCF	4B	Fluid Cap	PVDF	1



Replacement Nut and Washer

KIT	Item	Description	Material of Construction	Qty
KITS05NWP	3	1/2" Diaphragm Nut	Polypropylene	1
	12	Back Up Washer	Stainless Steel	1
KITS05NWD	3	1/2" Diaphragm Nut	Groundable Acetal	1
	12	Back Up Washer	Carbon Steel	1
KITS05NWF	3	1/2" Diaphragm Nut	PVDF	1
	12	Back Up Washer	Stainless Steel	1



Item	Torque Specifications
4A	55 ft-lbs.
4C/6B	100 in-lbs.
13	20 in-lbs.
3	100 in-lbs.

* KITS05WCH (see page 12)

Diaphragm Pump Service

Recommended tools required for disassembly and service:

- Service wrench (included in operator's manual packet); use with 3/8" Torque Wrench to torque rings to specification.
- 7/8 socket or wrench.
- 3/8 socket or wrench.
- Phillips screwdriver.
- O-ring pick.

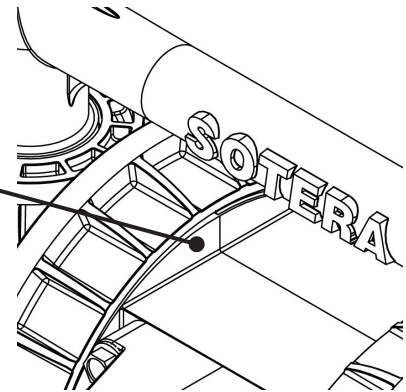
Fluid Section Disassembly

- Loosen the fluid cap retaining rings to a free spinning condition. Utilize the service wrench. Position the teeth tight to the ring and pull against the outlet manifold.
- Remove (6A) outlet manifold by unthreading both (6B) collars. Utilize the service wrench and torque wrench.
- Remove (40) seats and (30) balls from outlet manifold.
- Remove (5) inlet manifold by unthreading both (4C) collars. Utilize the service wrench and torque wrench.
- Remove (40) seats and (30) balls from (4) fluid caps.
- Remove one (4) fluid cap assembly by unthreading (4A) retaining ring. Utilize the service wrench and torque wrench. These should spin freely by hand (already loosen by note #1).
- Remove second (4) fluid cap assembly by unthreading (4A) retaining ring. Utilize the service and torque wrench, repeating as noted in #6.
- Remove (3) diaphragm nut, (20) diaphragm, and (12) back-up washer (use 7/8" socket or wrench).
- Remove (10) diaphragm rod with second diaphragm, diaphragm nut and back-up washer from center-body.
- Remove the second diaphragm nut, diaphragm, and back-up washer from the diaphragm rod carefully guarding the surface finish of the rod (use 7/8" socket or wrench).

Fluid Section Reassembly

- Reassemble in reverse order (NOTE: Take note of key flats on fluid caps and center body to ensure proper alignment).
- Lubricate the diaphragm rod prior to installation (use supplied LUBRIPLATE® Super FML-2).
- When replacing PTFE diaphragms, be certain to position the blue backer diaphragm towards the center-body and the PTFE towards the fluid cap.
- Observe noted torque specifications for all fasteners / rings (torque specification table on page 8); use service and torque wrench; torque to spec.
- When assembling the fluid caps to the centerbody, sealing is obtained by a 90 - 110 degree rotation from point of contact to the diaphragm bead itself. The rings should be flush (or slightly beyond flush) to the inside walls of the centerbody to validate an adequate seal (as illustrated below). **Torque specs are listed on page 8.**

- Ring should be tightened to flush or just past flush on the centerbody.



Air Section Disassembly

- Unthread and remove (13) flange head bolts (using a 3/8" socket).
- Remove the (2) valve block assembly from the pump.
- Remove (7) ceramic valves from pump.
- Remove (8) major valve track gasket from pump.
- Remove (9) pilot valve track gasket from (2) valve block assembly.
- Remove (2G) collar from valve block assembly. Utilize the service wrench.
- Remove components from valve block. Separate (2E) O-ring from (2F) plug. Separate (2B & 2D) U-cups from (2C) spool. Take careful note of the direction of the u-cup lips; they must be reassembled correctly for the air section to work correctly.
- Disassemble the fluid section per instructions above.
- Remove (1C) screws, (1B) seal retainers, (1A) u-cups, and (1D) O-rings from each side of the (1) center-body. Take careful note of the direction of the u-cup lips; they must be reassembled correctly for the air section to work correctly.

Air Section Reassembly

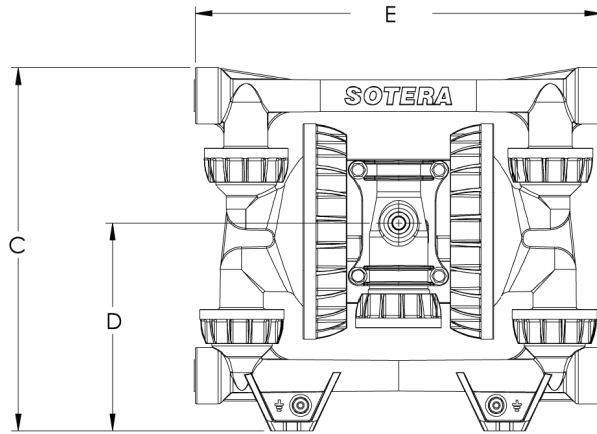
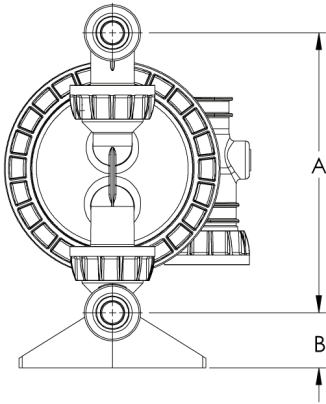
- Reassemble in reverse order.
- Lubricate all sliding seals prior to installation (use supplied LUBRIPLATE® Super FML-2).
- **Observe noted torque specifications for all fasteners (torque specification table on page 8); use service and torque wrench; torque to spec.**

Trouble Shooting

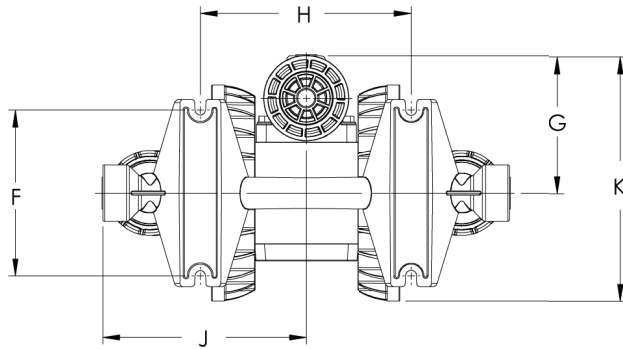
Symptom	Possible Cause	Repair
Fluid discharged from exhaust outlet	• Ruptured Diaphragm (20)	• Replace Diaphragm (20)
	• Diaphragm Nut loose (4A)	• Tighten loose Diaphragm Nut (4A)
Air bubbles in fluid discharge.	• Leak in suction side plumbing	• Check connections of suction plumbing.
	• Leak at Inlet Collar (4C)	• Check torque of Inlet Collar (4C)
	• Leak at Diaphragm Nut (4A)	• Check torque of Diaphragm Nut (4A)
Motor blows air out main exhaust when stalled on either stroke.	• U-cups inserted incorrectly, damaged, or missing.	• Check (2B & 2D) U-cups on major valve spool.
	• Ceramic valves damaged or contaminated with debris (7).	• Check (7) ceramic valves for debris or damage.
	• Pilot valve not correctly oriented.	• Be certain to load the pilot valve in the proper orientation per diagram found within the center-body.
Low fluid output volume.	• Low or blocked incoming air supply.	• Check air supply.
	• Outlet plumbing blockage.	• Check for any obstruction in the outlet plumbing.
	• Pump not primed.	• The pump must be mounted vertically for checks to properly work.
	• Suction pipe too small or suction hose not rigid (kinks or collapses).	• Check for pump cavitation - the suction pipe should be sized at least as large as the inlet thread diameter. The suction hose must be rigid or non-collapsible.
	• Leak in inlet suction plumbing.	• Check all inlet plumbing for possible suction leaks.
	• Pump blocked internally with debris.	• Inspect the pump for debris that could block internal flow or foul checks.

NOTES

Dimensional Information



Dimension	Inches	Metric
A	8.245"	209.42 mm
B	1.625"	41.28 mm
C	10.70"	271.78 mm
D	6.123"	155.524 mm
E	12.000"	304.80 mm
F	4.875"	123.825 mm
G	4.031"	102.387 mm
H	6.250"	158.75 mm
J	6.000"	152.40 mm
K	7.206"	183.032 mm



Accessories

The following accessories are available to customize your SP100 Pump. Contact your Sotera Representative if you have questions, or would like to order any of the accessories listed below.

Part #	Accessory	Description
KITS05WMA	Wall Mount Bracket	Stainless steel bracket for wall mount applications of the SP100 Pump.
KITS05FRH	Filter / Regulator Kit	Air line filter, regulator, and hose
KITS05MUF	Muffler	Muffler for air exhaust
KITS05WCH	Assembly Wrench	Special service tool for use on manifold and fluid retainer rings (4A & 4C on diagram page 5).
KIT180MAMPS	Tote Plate (for IBC tote)	Tote plate, attaching hardware

Regulatory Compliance

The Sotera SP100 1/2" Air Operated Diaphragm Pump has been tested and complies to the rigid standards for certification by the following regulatory agencies.*



Polypropylene (non-conductive) models comply with European standards:

- 2006/42/EC – Machinery
- BS EN ISO 12100:2010, Safety of machinery – General principles for design – Risk assessment and risk reduction
- BS EN 809:1998 – Pumps and pump units for liquids – Common safety requirements.



Models for use in **AT**mosphere **EX**plosive (**ATEX**) that comply with European standards:

- 94/9/EC - Directive on equipment intended for use in potentially explosive environments.
- EN 13463 - 1 - Non-electrical equipment for use in potentially explosive atmospheres: Part 1: Basic method and requirement.
- EN 13463 - 5 - Non-electrical equipment for use in potentially explosive atmospheres: Part 5: Protection by constructional safety "c".



*Refer to regulatory information printed on the top of the pump body for specific pump compliance.

Visit us on the web at:

www.sotera.com

Learn more about Tuthill Corporation and our family of high quality, value minded products at:

www.tuthill.com

SOTERA[™]
SYSTEMS

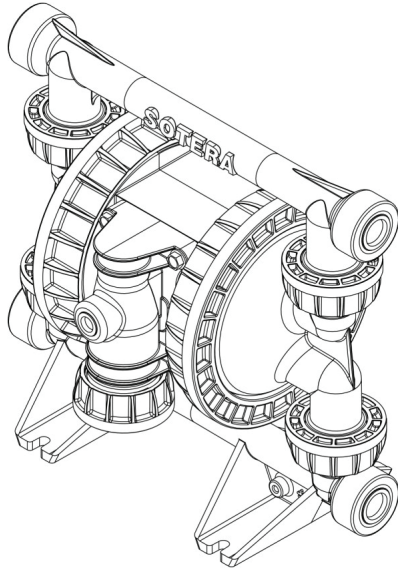
Sotera Systems
8825 Aviation Drive
Fort Wayne, IN 46809
1-800-634-2695
1-260-747-7524

Bomba neumática de diafragma de 1/2 pulg.

Modelo SP100-05X-XX-XXX-X

Relación 1:1 (no metálica)

Manual de instalación y operación



Datos técnicos de la bomba

- Tipo de bomba:** Neumática de doble diafragma, no metálica
- Modelos:** Consulte la tabla de descripción de modelos para "-XXX"
- Materiales de construcción:** Consulte las tablas de descripción de modelos
- Peso:** Varía según los materiales de construcción
- Presión máxima de entrada de aire:** 6,9 barías
- Presión máxima de entrada de material:** 0,69 barías
- Presión máxima de salida:** 6,9 barías
- Consumo de aire (a 2,8 barías):** 0,005 m³/min/L (aprox.)
- Conexión de aire:** 1/4" NPT
- Velocidad máxima de flujo (entrada sumergida):** 66,23 l.p.m.
- Desplazamiento o ciclo a 6,9 barías:** 0,14 L
- Tamaño máximo de partículas:** 2,4 mm de diá.
- Límites máximos de temperatura:**
 - Acetal.....-12° to 82° C
 - HYTREL®.....-29° to 66° C
 - PVDF.....-12° to 93° C
 - Polypropylene.....-2° to 79° C
 - Santoprene®.....-40° to 107° C
 - PTFE.....-4° to 107° C
- Datos de dimensiones (caja):**29,8 cm (A) x 36,2 cm (A) x 23,2 cm (D)

Información de peso:

Material de la bomba	Peso de la bomba en lb	Peso de la bomba en kg	Peso de envío en lb	Peso de envío en kg
Polipropileno	5,7	2,6	7,2	3,3
PVDF	7,2	3,3	8,7	4,0
Acetal con conexión a tierra	6,8	3,1	8,3	3,8

Nivel de ruido: 72,6 db (a 4,8 barías, 60 c.p.m.)

⚠ PRECAUCIÓN Lea este manual cuidadosa y completamente ANTES de la instalación, operación o mantenimiento de este equipo.

Guarde este manual para referencia futura.

Información de descripción del modelo

SP100-05X-XX-XXX-X

TAMAÑO DE PUERTO

CONEXIÓN DE LÍQUIDOS

N - 1/2-14 NPTF-1

B - Rp 1/2 (BSPP)

MATERIAL DE CONSTRUCCIÓN DEL CONDUCTOR

P - POLIPROPILENO

C - NYLON CON CONEXIÓN A TIERRA

MATERIAL DE CONSTRUCCIÓN DE EXTREMO HÚMEDO

P - POLIPROPILENO

D - ACETAL CON CONEXIÓN A TIERRA

F - PVDF

DIAFRAGMA

S - SANTOPRENE®

H - HYTREL®

T - PTFE CON SOPORTE DE SANTOPRENE®

BOLAS

S - SANTOPRENE®

H - HYTREL®

T - PTFE

M - ACERO INOXIDALE

ASIENTOS

S - SANTOPRENE®

H - HYTREL®

P - PP (con sello de PTFE)

F - PVDF (con sello de PTFE)

D - Acetal (con sello de PTFE)

OPCIONES

JUEGO DE MANTENIMIENTO DE LA SECCIÓN DE LÍQUIDO

KIT

S05

X X X

DIAFRAGMA

BOLAS

ASIENTOS

AVISO: Se muestran todas las opciones posibles en esta tabla; sin embargo, es posible que no se recomienden ciertas combinaciones. Consulte con un representante o con la fábrica si tiene preguntas con respecto a la disponibilidad.

Íconos de información de seguridad

⚠ ADVERTENCIA

Prácticas peligrosas o poco seguras, lo que puede provocar lesiones corporales graves, la muerte o daños considerables a la propiedad.

⚠ PRECAUCIÓN

Prácticas peligrosas o poco seguras, lo que pueden provocar lesiones corporales menores y daños a la propiedad o al producto.

⚠ IMPORTANTE

Información importante de instalación, operación o mantenimiento.

Información de funcionamiento y seguridad

ADVERTENCIA

PRESIÓN DE AIRE EXCESIVA. Se pueden provocar lesiones corporales, daños a la bomba o daños a la propiedad.

- No exceda la presión máxima de aire de entrada según se indica en la bomba.
- Asegúrese de que las mangueras de material y demás componentes sean capaces de resistir las presiones de líquido que esta bomba desarrolla. Revise todas las mangueras en busca de daños o desgaste. Asegúrese de que el dispositivo dispensador esté limpio y en buenas condiciones de funcionamiento.

ADVERTENCIA

PELIGRO DE EXPLOSIÓN. Bombear líquidos con punto de inflamación bajo puede provocar lesiones corporales, daños a la bomba o daños a la propiedad.

ADVERTENCIA

CHISPA DE ELECTRICIDAD ESTÁTICA. Se puede provocar una explosión que puede causar lesiones graves o la muerte. Conecte a tierra la bomba y el sistema de bombeo.

- Bombas de **Acetal con conexión a tierra:** Use el terminal de tierra que se proporciona. Conecte a un cable de calibre 12 (mínimo) (se incluye el juego) a una buena fuente de conexión a tierra (consulte la página 4 para obtener detalles).
- Las chispas pueden inflamar los materiales y vapores inflamables.
- El sistema de bombeo y el objeto que se rocíe deben estar conectados a tierra cuando se bombee, enjuague, vuelva a circular o pulverice materiales inflamables como pinturas, solventes, lacas, etc. o cuando se use en una ubicación cuya atmósfera circundante sea propicia para la combustión espontánea. Conecte a tierra la válvula o el dispositivo dispensadores, los recipientes, las mangueras y cualquier objeto hacia el cual se esté bombeando material.
- Fije la bomba, las conexiones y todos los puntos de contacto, para evitar la vibración y la generación de contacto o chispas de electricidad estática.
- Consulte los códigos locales eléctricos y de edificación para conocer los requisitos de conexión a tierra específicos.
- Después de conectar a tierra, verifique periódicamente la continuidad del trayecto eléctrico a tierra. Pruebe la conexión a tierra de cada componente con un ohmímetro (por ejemplo, las mangueras, la bomba, las abrazaderas, el recipiente, la pistola pulverizadora, etc.) para garantizar la continuidad. El ohmímetro debe mostrar 0,1 ohmios o menos.
- Si es posible, sumerja el extremo de la manguera de salida, la válvula o el dispositivo dispensadores en el material que se dispensa. (Evite el flujo libre del material que se dispensa.)
- Use mangueras que incorporen un cable estático.
- Use la ventilación adecuada.
- Mantenga los materiales inflamables lejos del calor, las llamas descubiertas y las chispas.
- Mantenga los recipientes cerrados cuando no estén en uso.

ADVERTENCIA

EL ESCAPE DE LA BOMBA PUEDE CONTENER CONTAMINANTES. Se pueden provocar lesiones graves. Conduzca el escape lejos del área de trabajo y del personal.

- En caso de una ruptura de diafragma, es posible que se fuerce material fuera del silenciador del escape de aire.
- Conduzca el escape a una ubicación remota segura cuando bombee materiales peligrosos o inflamables.
- Use una manguera con conexión a tierra de 3/8 pulg. de diámetro interno mínimo entre la bomba y el silenciador.

ADVERTENCIA

PRESIÓN PELIGROSA. Se pueden producir lesiones graves o daños a la propiedad. No realice mantenimiento ni limpie la bomba, las mangueras o la válvula dispensadora mientras el sistema esté presurizado.

- Desconecte la tubería de suministro de aire y alivie la presión del sistema; para esto, abra la válvula o el dispositivo dispensadores o suelte y retire lenta y cuidadosamente la manguera o tubería de salida de la bomba.

ADVERTENCIA

MATERIALES PELIGROSOS. Se pueden provocar lesiones graves o daños a la propiedad. No intente devolver una bomba que contenga materiales peligrosos a la fábrica o al servicio técnico. Las prácticas de manipulación segura deben cumplir con las leyes locales y nacionales y con los requisitos del código de seguridad.

- Obtenga Hojas de datos de seguridad de los materiales del proveedor para todos los materiales, para conocer las instrucciones de manipulación adecuada.

ADVERTENCIA

PELIGRO DE EXPLOSIÓN. Los modelos que contienen piezas de aluminio no se pueden usar con 1,1,1-tricloroetano, cloruro de metileno ni otros solventes de hidrocarburos halogenados, los cuales pueden producir una reacción química y explotar.

- Revise la sección neumática, las tapas de los líquidos, los múltiples y todas las piezas húmedas, para garantizar la compatibilidad antes de usarlas con solventes de este tipo.

PRECAUCIÓN

Verifique la compatibilidad de los productos químicos con las piezas húmedas de la bomba y la sustancia que se bombea, se enjuaga o vuelve a circular. La compatibilidad con los productos químicos puede cambiar con la temperatura y la concentración de dichos productos dentro de las sustancias que se bombean, se enjuagan o circulan. Para conocer compatibilidades específicas de los líquidos, consulte con el fabricante del producto químico.

PRECAUCIÓN

Las temperaturas máximas solo se basan en la tensión mecánica. Ciertos productos químicos reducirán significativamente la temperatura segura de funcionamiento. Consulte con el fabricante del producto químico para conocer la compatibilidad y los límites de temperatura.

PRECAUCIÓN

Asegúrese de que todos los operadores de este equipo estén capacitados en prácticas de trabajo seguras, comprendan sus limitaciones y usen equipos y gafas de seguridad cuando se requiera.

PRECAUCIÓN

No use la bomba como soporte estructural del sistema de bombeo. Asegúrese de que los componentes del sistema tengan el soporte adecuado para evitar la tensión en las piezas de la bomba. Las conexiones de succión y descarga deben ser flexibles (por ejemplo, una manguera), sin tuberías rígidas, y deben ser compatibles con la sustancia que se bombea.

PRECAUCIÓN

Evite los daños innecesarios a la bomba. No permita que la bomba funcione cuando ha estado sin material durante un tiempo prolongado.

- Desconecte la tubería de aire de la bomba cuando el sistema permanezca inactivo por un tiempo prolongado.

Información de funcionamiento y seguridad (continuación)

⚠ PRECAUCIÓN

Solo use repuestos originales de Sotera para garantizar una clasificación de presión compatible y la vida útil más larga posible.

⚠ IMPORTANTE

Instale la bomba en posición vertical (de pie). Es posible que la bomba no cebe adecuadamente si las bolas no se retienen con la gravedad en el arranque.

⚠ IMPORTANTE

Vuelva a apretar todos los sujetadores y los anillos antes del funcionamiento. El movimiento de los materiales de la carcasa y de la empaquetadura puede provocar que se suelten los sujetadores y los anillos. Vuelva a apretar todos los sujetadores y anillos para garantizar que no haya fugas de aire o líquido (las especificaciones de torsión se encuentran en la página 8).

⚠ IMPORTANTE

Fije la etiqueta de advertencia adecuada al múltiple de salida de la bomba (la etiqueta se proporciona en cuatro idiomas: n.º de pieza LB000646-000).

Los repuestos de las etiquetas de advertencia se encuentran disponibles a solicitud. Use el número de pieza indicado anteriormente para solicitar el repuesto.

Descripción general

La bomba de diafragma Sotera ofrece una entrega de grandes volúmenes, incluso con baja presión de aire, y se dispone de una amplia gama de opciones de compatibilidad de materiales. Consulte la tabla de modelos y opciones. Las bombas Sotera cuentan con un motor de aire modular y secciones de líquidos que están diseñados para no detenerse.

Las bombas neumáticas de doble diafragma utilizan un diferencial de presión en las cámaras de aire para crear, de manera alternativa, succión y una presión de líquido positiva en las cámaras de líquidos. Las retenciones de bola garantizan un flujo positivo del líquido.

La bomba comenzará a funcionar cuando se aplique presión de aire. Cuando esté en funcionamiento, creará y mantendrá la presión en las tuberías y se detendrá una vez que se alcance la presión máxima de tubería (dispositivo dispensador cerrado). La bomba reanudará la operación según sea necesario (a medida que el dispositivo dispensador se abra y se cierre).

Requisitos de aire y lubricación

⚠ ADVERTENCIA

PRESIÓN DE AIRE EXCESIVA. Se pueden provocar daños a la bomba, lesiones corporales o daños a la propiedad.

- En el suministro de aire, se debe usar un filtro capaz de filtrar partículas más grandes que 50 micrones. No se requiere otra lubricación además del lubricante de junta tórica que se aplica durante el montaje.
- Si hay aire lubricado, asegúrese de que sea compatible con las juntas tóricas y los sellos en la sección del motor de aire de la bomba.

Información de instalación

⚠ ADVERTENCIA

Se requiere un acoplamiento de aire de conexión rápida (D) en el sistema para aliviar el aire atrapado entre esta válvula y la bomba. El aire atrapado puede provocar el funcionamiento inesperado de la bomba, lo cual puede provocar lesiones graves, entre ellas, salpicaduras en los ojos o la piel, o contaminación por líquidos peligrosos.

⚠ PRECAUCIÓN

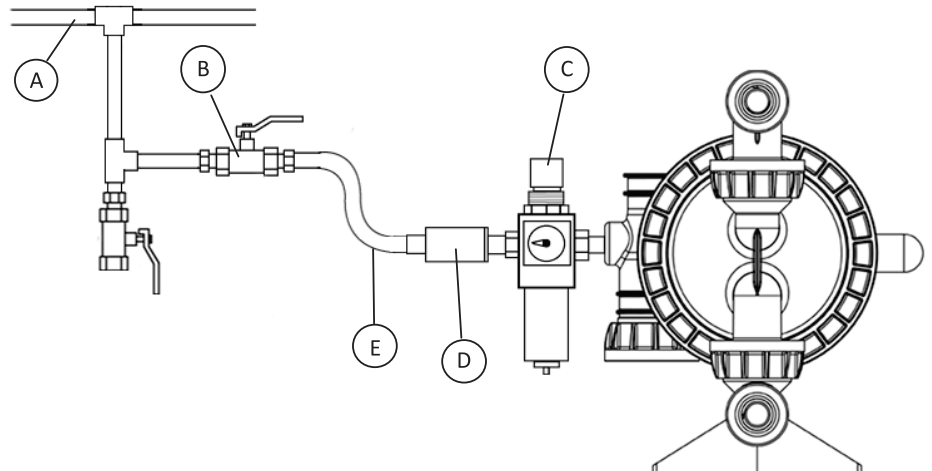
El aire de escape de la bomba puede contener contaminantes. Ventile hacia un área remota si los contaminantes pueden afectar el suministro de líquido. Lea la información de **Ventilación del escape de aire** que se indica a continuación (página 4).

Instalación de la tubería de aire

Instale las tuberías de suministro de aire como se muestran a continuación. Monte todas las tuberías y accesorios firmemente en la pared o en soportes. **Es obligatorio el uso de un dispositivo regulador de presión, la PRESIÓN MÁXIMA DE TUBERÍA ES DE 6,9 barías.**

Conecte la tubería de aire a la bomba como se muestra a continuación:

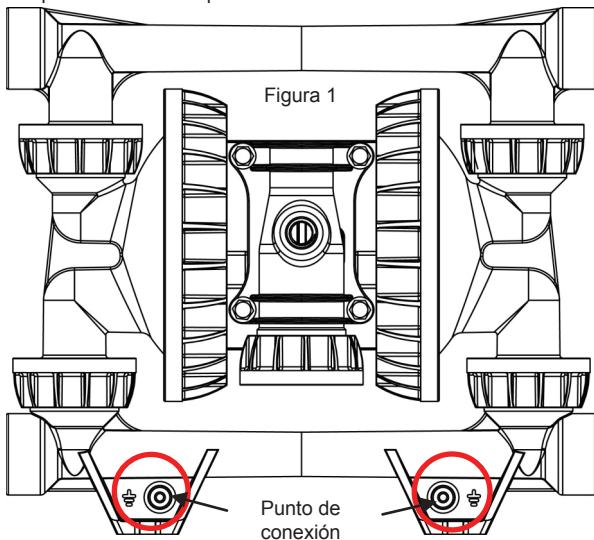
- Se deben conectar las tuberías de suministro de aire rígidas según los códigos vigentes (A) y se debe fijar en montajes de pared o soportes.
- Instale una válvula maestra de cierre de aire (B) para permitir el mantenimiento de la bomba.
- Instale un regulador de filtro de aire (C) (KITS05FRH) para regular y filtrar el suministro de aire hacia la bomba (la velocidad de la bomba también se puede controlar a través de este dispositivo).
- Ubique un acoplamiento de aire de conexión rápida (D) entre la tubería flexible y el filtro regulador de aire; úselo para aliviar el aire atrapado cuando realice mantenimiento.
- Instale una manguera flexible (E) entre la válvula de cierre maestra (B) y el regulador de filtro de aire (C). **NO** instale tuberías de aire rígidas hacia la bomba, la vibración producida por el funcionamiento de la bomba pueden dañar a la misma o las tuberías de aire y líquido.



Instalación de la tubería de aire (continuación)

Conexión a tierra de la bomba

ADVERTENCIA PELIGRO DE INCENDIO Y EXPLOSIÓN. Las bombas SP100-05X-CD-XXX-X (Acetal con conexión a tierra) de Sotera se deben conectar a tierra para un funcionamiento seguro y adecuado. Antes de operar la bomba, asegúrese de que está conectada adecuadamente a tierra como se muestra en la imagen a continuación: Lea y comprenda las advertencias en la página 2 con respecto a las conexiones a tierra y los peligros de incendio por chispas. Toda bomba que esté conectada inadecuadamente a tierra puede constituir un peligro de incendio.



La bomba SP100 se puede conectar a tierra a través de las patas de montaje, ubicadas en el múltiple de entrada (Figura 1). A fin de reducir el riesgo de chispas de electricidad estática, conecte a tierra la bomba y todos los otros equipos ubicados en el área de bombeo. Los cables de conexión a tierra deben ser del tamaño adecuado y se deben instalar según los códigos eléctricos locales y nacionales.

Nunca use polipropileno o PVFD con líquidos inflamables no conductores, según lo especifican los códigos de protección contra incendios locales. Comuníquese con el proveedor de líquido para determinar la conductividad o la resistencia del líquido.

Si se producen chispas de electricidad estática o si siente una chispa mientras usa el equipo, **detenga la bomba inmediatamente. NO use el equipo hasta que se haya ubicado y corregido el problema.**

Si usa una bomba conductora (acetal), use mangueras conductoras. Si usa una bomba no conductora, conecte a tierra el sistema de líquidos.

Se debe planificar la instalación tomando en cuenta la ventilación adecuada. Es imprescindible que se proporcione la ventilación de aire fresco adecuada para evitar la acumulación de vapores inflamables, explosivos o tóxicos de los líquidos que se bombean.

Mantenga el área alrededor de la bomba limpia y sin residuos, entre ellos, paños, solvente y gasolina. No permita luces piloto o llamas descubiertas cerca del área de trabajo, mantenga un extintor de incendios para acceder rápidamente a él.

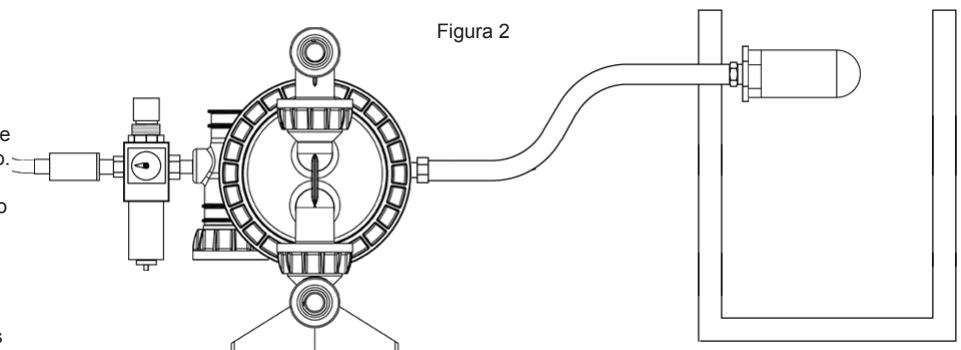
Ventilación del aire de escape

Las fallas del diafragma pueden causar que el líquido que se bombea escape con el aire. Si se bombean materiales cáusticos, explosivos o inflamables, se pueden descargar con el aire de escape.

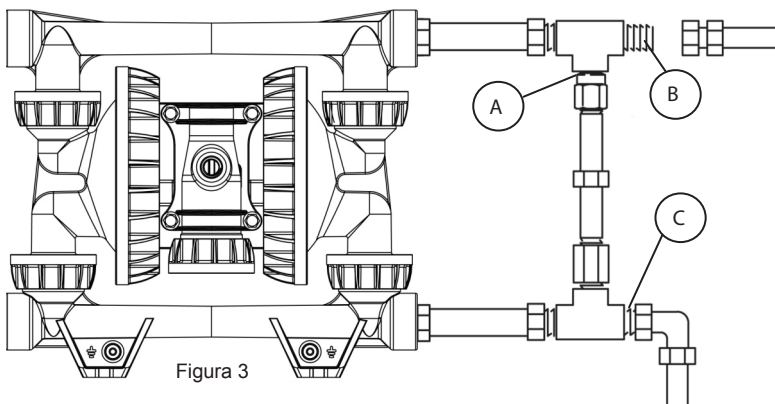
Se debe dirigir adecuadamente el aire de escape de la bomba para garantizar un funcionamiento seguro. Se debe descargar el escape en un lugar seguro, lejos de donde pueda dañar a personas, animales o contaminar las áreas de preparación de alimentos. Además, debe estar alejado de cualquier posible fuente de ignición.

También es importante colocar el extremo del escape en un recipiente adecuado para recoger los líquidos que se puedan descargar (Figura 2).

Instale una manguera de escape de aire eléctricamente conductora que conecte con el silenciador en el extremo. El diámetro mínimo de la manguera debe ser de 3/8 pulg. de diámetro interno. Si la longitud de la manguera sobrepasará los 4,6 m, se requiere una manguera de mayor diámetro. Cuando dirija la manguera, tenga presente evitar las torceduras y curvas muy marcadas que puedan restringir el flujo de aire.



Válvula de alivio de presión de líquidos



Es posible que algunos sistemas requieran la instalación de una válvula de alivio de presión en la salida de la bomba para evitar el exceso de presión y la posible ruptura de la bomba o la manguera (Figura 3).

La expansión térmica del líquido en la tubería de salida puede provocar un exceso de presión, incluso si la bomba no está funcionando. La expansión térmica se puede producir cuando las tuberías de líquido, los recipientes de almacenamiento de líquido y las bombas se exponen a la luz solar o al calor ambiental. También se puede producir cuando se bombea líquido desde un área fría (por ejemplo, recipientes de almacenamiento subterráneo) hacia un área tibia.

- A) Instale una válvula de retención entre los puertos de entrada y salida.
- B) Conecte aquí la salida de líquido.
- C) Conecte aquí la entrada de líquido.
- D) **NUNCA** instale una válvula de contención en la tubería de succión.

Instalación de la tubería de aire (continuación)

Procedimiento de alivio de presión

ADVERTENCIA **LOS EQUIPOS PRESURIZADOS SON PELIGROSOS.** La bomba de Sotera, y el sistema en el que está instalada, se mantienen presurizados hasta que se alivia manualmente la presión. Esto crea el riesgo de lesiones graves a partir del líquido presurizado, pulverización accidental o salpicaduras de líquido si no se toman las precauciones adecuadas cuando se abra o se opere el sistema. Para minimizar el riesgo, se debe seguir el siguiente procedimiento cada vez que lo necesite:

- Alivie la presión
- Detenga el bombeo
- Limpie, realice mantenimiento o revise las piezas del sistema o de la bomba
- Instale o limpie las boquillas pulverizadoras de líquido

Para aliviar la presión de manera segura, es primordial que usted:

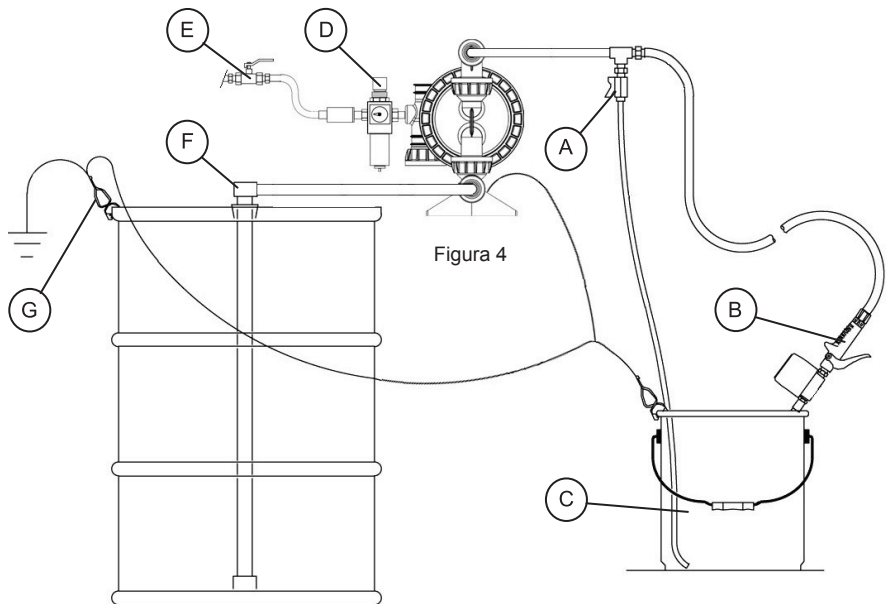
- Corte el suministro de aire hacia la bomba
- Abra la válvula dispensadora (si está equipada)
- Abra el drenaje de líquido para aliviar toda la presión de líquido en el sistema (coloque un recipiente en el drenaje de líquido para atrapar todos los líquidos que se descarguen; tenga cuidado, ya que la presión en el sistema puede forzar la salida de los líquidos rápidamente desde el drenaje).

Preparación para el primer uso y el arranque inicial

La bomba de Sotera se prueba con agua durante la producción en la fábrica. Esta se drena al final de la prueba, pero es posible que quede agua residual internamente, por lo que es importante que enjuague la bomba completamente con un solvente compatible antes del primer uso.

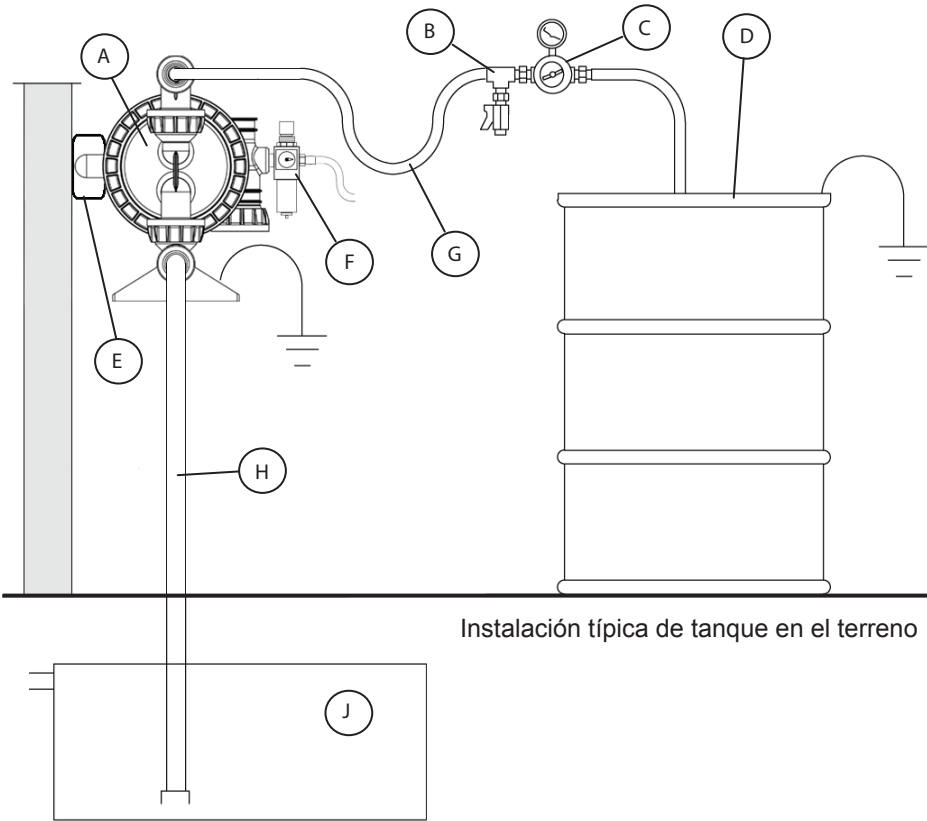
Revise toda la información de “**ADVERTENCIA**” y “**PRECAUCIÓN**” en la página 2 antes del arranque para asegurarse de que la bomba está lista para funcionar. Vuelva a apretar todos los sujetadores y los anillos antes del arranque para garantizar que los sellos de líquido estén buenos. La torsión adecuada es primordial para el sellado adecuado; **NO** apriete en exceso los sujetadores y los anillos (las especificaciones de torsión se encuentran en la página 8). Asegúrese de que el sistema y la bomba estén conectados a tierra según sea necesario (G). Asegúrese de que la bomba esté firmemente montada en una superficie sólida y que el sistema esté conectado para absorber los impactos y la vibración (consulte la información de montaje en las páginas 3, 4 y 6).

- Coloque la manguera de succión (F) (si se usa) en el recipiente de líquidos. (**NOTA:** Si la presión de entrada de líquido es superior al 25 % de la presión de trabajo de salida, las válvulas de retención de bola no se cerrarán lo suficientemente rápido y la bomba no funcionará eficazmente.)
- Coloque el extremo de la tubería de salida de líquido (B) en un recipiente adecuado (C) para atrapar el líquido que se dispensa.
- Cierre la válvula de drenaje de líquido (A).
- Con el regulador de aire (D) completamente cerrado, abra todas las válvulas de aire maestras de tipo purga (E).
- Si el sistema usa un dispositivo dispensador de líquido (B), manténgalo abierto a medida que **lentamente** abre el regulador de aire (D), hasta que la bomba comience a funcionar. Debe hacer que la bomba realice su ciclo lentamente hasta que se purgue todo el aire de las tuberías de líquido. La bomba ya está cebada y lista para usar.
- **NOTA:** Si está enjuagando la bomba, asegúrese de hacerla funcionar lo suficiente para enjuagar completamente la bomba, las tuberías, las mangueras y el dispensador.



ADVERTENCIA **¡ADVERTENCIA! APAGADO ADECUADO DE LA BOMBA.** La vida útil del diafragma y del sello se puede ver reducida si se aplica presión de aire al motor de la bomba durante periodos prolongados cuando no se está usando la bomba. Para evitar que esto suceda, se debe instalar una válvula solenoide de 3 vías que alivie automáticamente la presión del motor de aire cuando se complete un ciclo de medición.

Instalación de la tubería de líquido



Instalación típica bajo tierra

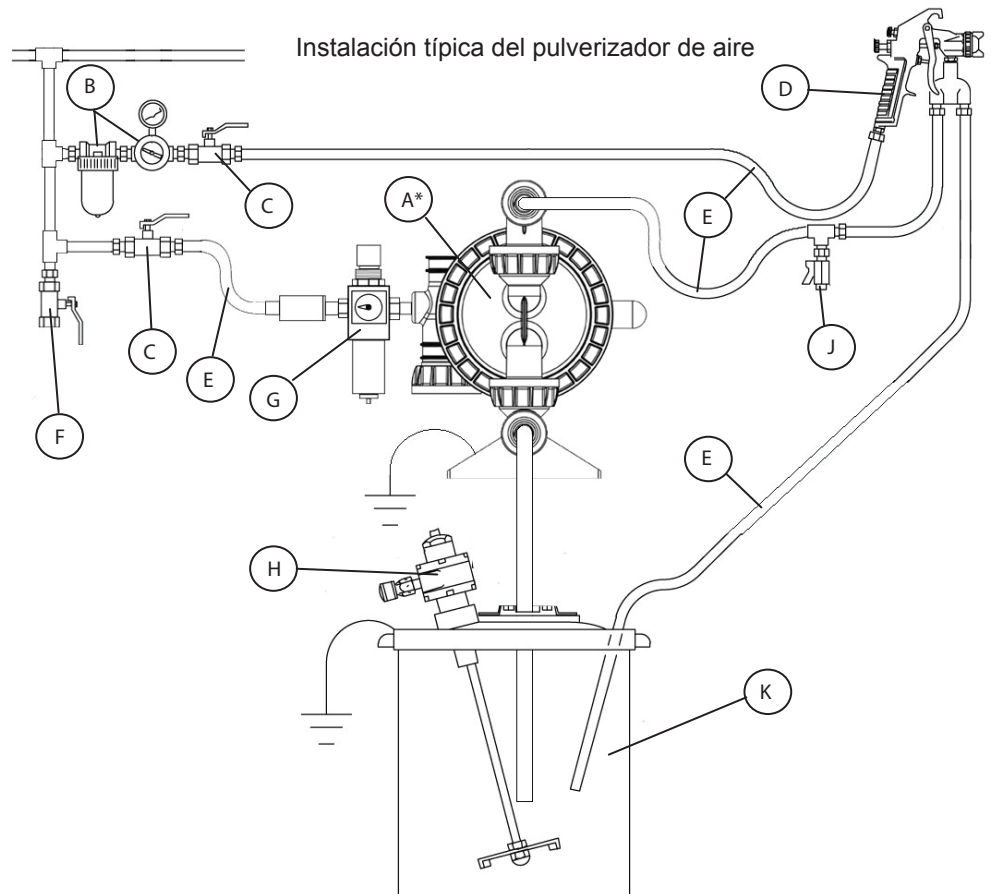
NOTA: La bomba (A) y el tanque o tambor o barril de líquido (D) deben estar enterrados como se muestra.

- A) SP100
- B) Válvula de drenaje de líquido (recomendada)
- C) Regulador de líquido (opcional)
- D) Tanque o tambor o barril de líquido
- E) Soporte de montaje en pared (KITS05WMA)
- F) Regulador de filtro de aire (se requiere: Consulte la información de instalación de la tubería de aire en la página 3)
- G) Manguera flexible (lado de salida)
- H) Tubería de succión
- J) Tanque subterráneo

Instalación típica del pulverizador de aire

NOTA: La bomba (A) y el tanque de líquido (K) deben estar enterrados.

- A) Bomba SP100*
- B) Accesorios para la tubería de aire (conecte la tubería de aire a la pistola pulverizadora según las especificaciones del fabricante)
- C) Válvula principal de cierre de aire
- D) Pistola pulverizadora
- E) Manguera flexible de aire y líquido
- F) Válvula principal de aire (para drenaje de aire o líquido)
- G) Regulador de filtro de aire (se requiere: Consulte la información sobre la instalación de la tubería de aire en la página 3)
- H) Agitador
- J) Válvula de drenaje de líquido (recomendada)
- K) Cubo de 19 litros



*NOTA: Monte la bomba de manera segura a una superficie sólida con los soportes y las piezas metálicas de fijación correspondientes para la aplicación.

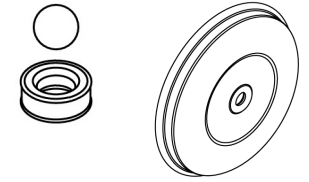
Juegos y piezas

KITS05SSS Juego de sección de líquido

Artículo	Descripción	Cant.
20	Diafragma, Santoprene®	2
30	Bola, Santoprene®	4
40	Asiento, Santoprene®	4

KITS05HHH Juego de sección de líquido HYTREL®

Item	Description	Qty
20	Diafragma, HYTREL®	2
30	Bola, HYTREL®	4
40	Asiento, HYTREL®	4



KITS05TTP Juego de sección de líquido PTFE, PP

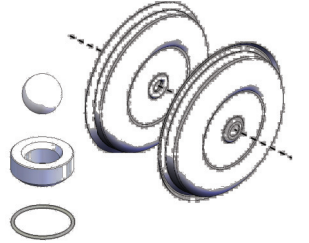
Artículo	Descripción	Cant.
*	Soporte de diafragma	2
*	Junta tórica, PTFE	4
20	Diafragma, PTFE	2
30	Bola, PTFE	4
40	Asiento, polipropileno	4

KITS05TTF Juego de sección de líquido PTFE, PVDF

Artículo	Descripción	Cant.
*	Soporte de diafragma	2
*	Junta tórica, PTFE	4
20	Diafragma, PTFE	2
30	Bola, PTFE	4
40	Asiento, PVDF	4

KITS05TTD Juego de sección de líquido, PTFE, ACETAL

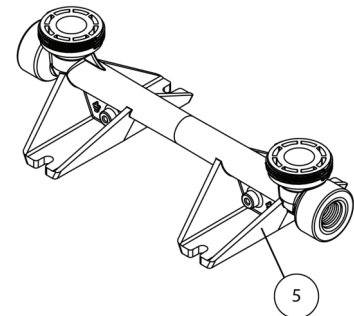
Artículo	Descripción	Cant.
*	Soporte de diafragma	2
*	Junta tórica, PTFE	4
20	Diafragma, PTFE	2
30	Bola, PTFE	4
40	Asiento, acetal	4



* La pieza no se muestra o no tiene número

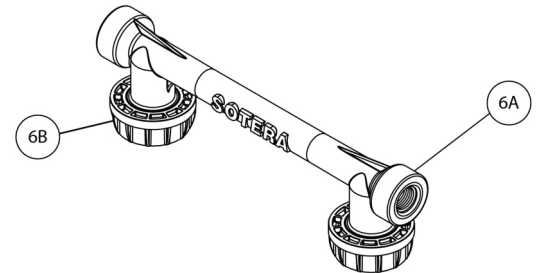
Juegos de entrada

JUEGO	Artículo	Descripción	Material de construcción	Cant.
KITS05NIP	5	Entrada	Polipropileno	1
KITS05NID	5	Entrada	Acetal con conexión a tierra	1
KITS05NIF	5	Entrada	PVDF	1
KITS05BIP	5	Entrada	Polipropileno BSPP	1
KITS05BID	5	Entrada	Acetal con conexión a tierra BSPP	1
KITS05BIF	5	Entrada	PVDF BSPP	1



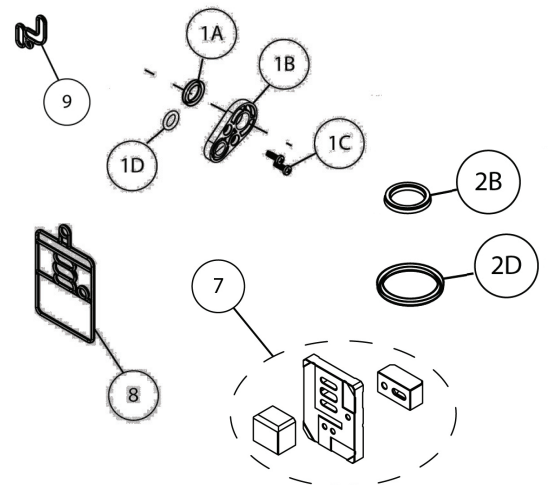
Juegos de salida

JUEGO	Artículo	Descripción	Material de construcción	Cant.
KITS05NOP	6	Salida	Polipropileno	1
KITS05NOD	6	Salida	Acetal con conexión a tierra	1
KITS05NOF	6	Salida	PVDF	1
KITS05BOP	6	Salida	Polipropileno BSPP	1
KITS05BOD	6	Salida	Acetal con conexión a tierra BSPP	1
KITS05BOF	6	Salida	PVDF BSPP	1



Juego de montaje de la válvula de aire KITS05AVA

Artículo	Descripción	Cant.
1A	Colector en U, Buna-N, 1/2 x 3/4 x 1/8 **	2
1D	Junta tórica, Buna-N, 2 - 110	2
2B	Colector en U, Buna-N, 3/4 x 1 x 1/8 **	1
2D	Colector en U, Buna-N, 1 - 3/16 x 1 - 7/16 x 1/8 **	1
7	Piezas de cerámica	1
8	Empaquetadura de vía, válvula principal, Buna-N	1
9	Empaquetadura de vía, piloto, Buna-N	1
*	Paquete de grasa	1



* La pieza no se muestra o no tiene número

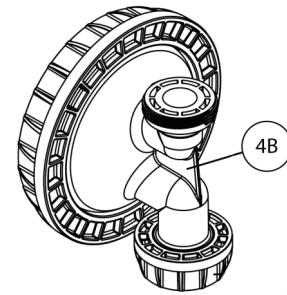
**Observe la orientación de instalación, página 8

Los modelos no conductores se envían con colectores en U de uretano.

Juegos y piezas (continuación)

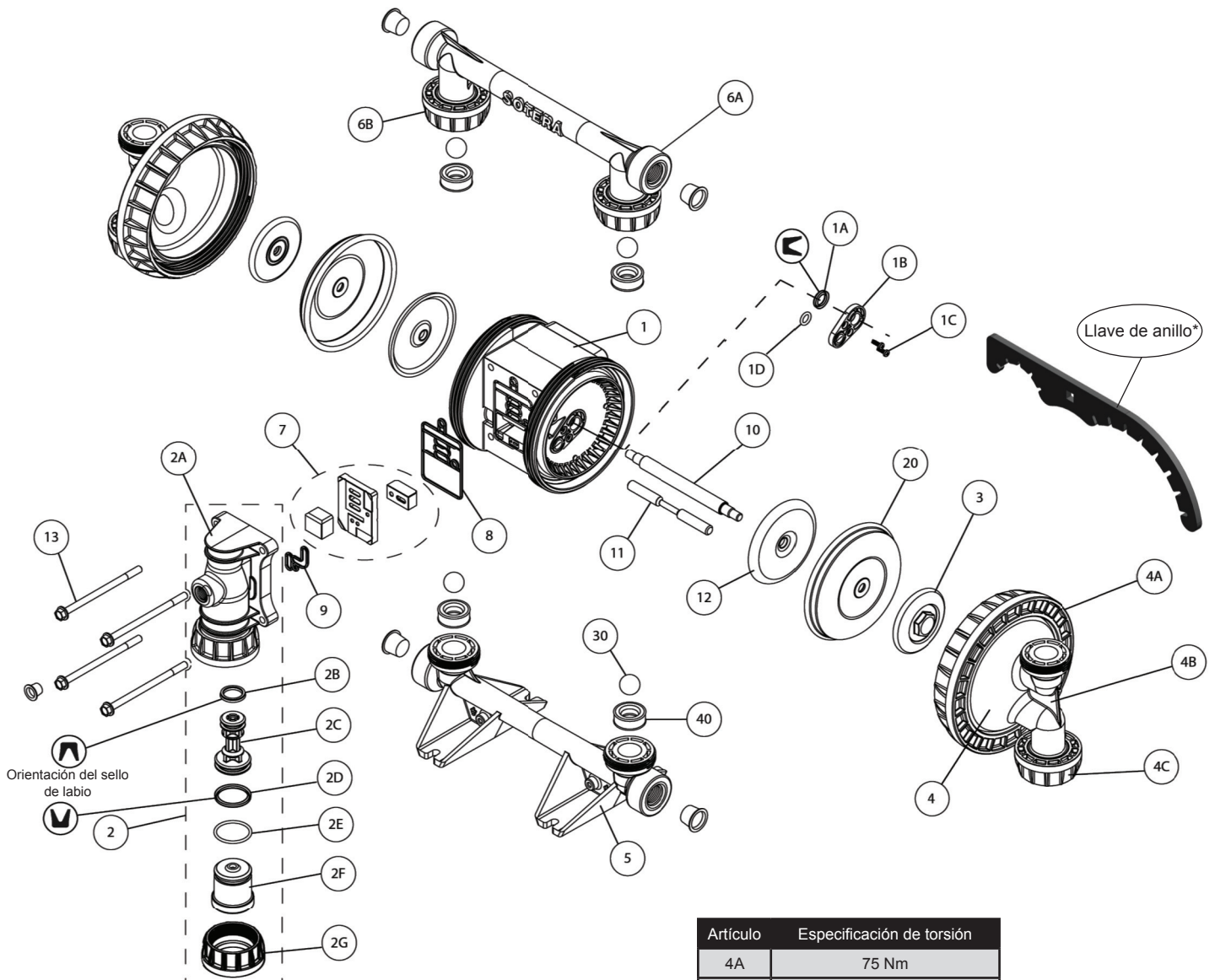
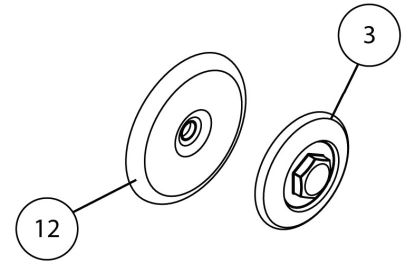
Juegos de tapa de los líquidos

JUEGO	Artículo	Descripción	Material de construcción	Cant.
KITS05FCP	4B	Tapa de los líquidos	Polipropileno	1
KITS05FCD	4B	Tapa de los líquidos	Acetal con conexión a tierra	1
KITS05FCF	4B	Tapa de los líquidos	PVDF	1



Tuerca y arandela de repuesto

JUEGO	Artículo	Descripción	Material de construcción	Cant.
KITS05NWP	3	Tuerca de diafragma de 1/2 pulg.	Polipropileno	1
	12	Arandela de refuerzo	Acero inoxidable	1
KITS05NWD	3	Tuerca de diafragma de 1/2 pulg.	Acetal con conexión a tierra	1
	12	Arandela de refuerzo	Acero al carbono	1
KITS05NWF	3	Tuerca de diafragma de 1/2 pulg.	PVDF	1
	12	Arandela de refuerzo	Acero inoxidable	1



Artículo	Especificación de torsión
4A	75 Nm
4C/6B	11 Nm
13	2,3 Nm
3	11 Nm

* KITS05WCH (consulte la página 12)

Mantenimiento de la bomba de diafragma

Herramientas necesarias recomendadas para el desmontaje y mantenimiento:

- Llave de mantenimiento (se incluye en el paquete del manual del operador); usar con una llave de 3/8 pulg. de torsión para apretar los anillos según la especificación.
- Conector o llave de 7/8.
- Conector o llave de 3/8.
- Destornillador Phillips.
- Ganzúa para juntas tóricas.

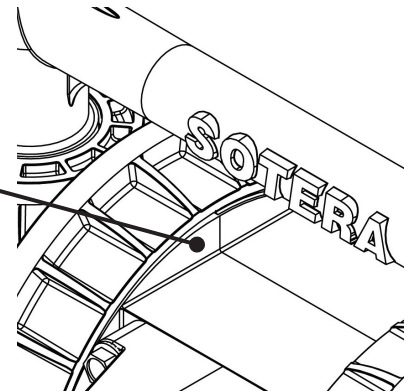
Desmontaje de la sección de líquido

- Suelte los anillos de retención de la tapa de los líquidos hasta una condición de giro libre. Utilice la llave de mantenimiento. Coloque los dientes apretados alrededor del anillo y tire contra el múltiple de salida.
- Desenrosque ambos collarines (6B) para retirar el múltiple de salida (6A). Utilice la llave de mantenimiento y la llave de torsión.
- Retire los asientos (40) y las bolas (30) del múltiple de salida.
- Desenrosque ambos collarines (4C) para retirar el múltiple de salida (5). Utilice la llave de mantenimiento y la llave de torsión.
- Retire los asientos (40) y las bolas (30) de las tapas de los líquidos (4).
- Desenrosque el anillo de retención (4A) para retirar un conjunto de tapa de los líquidos (4). Este debería girar libremente con la mano (ya estaba suelto según la nota n.º 1).
- Desenrosque el anillo de retención (4A) para retirar el segundo conjunto de tapa de los líquidos (4). Utilice la llave de mantenimiento y la llave de torsión y repita como se indicó en el punto n.º 6.
- Retire la tuerca de diafragma (3), (20) el diafragma y la arandela de refuerzo (12) (use un conector o llave de 7/8 pulg.).
- Retire la varilla del diafragma (10) con el segundo diafragma, la tuerca de diafragma y la arandela de refuerzo desde el cuerpo central.
- Retire la segunda tuerca de diafragma, el diafragma y la arandela de refuerzo desde la varilla del diafragma con cuidado de proteger el acabado de la superficie de la varilla (use un conector o llave de 7/8 pulg.).

Reensamblaje de la sección de líquido

- Vuelva a montar en orden inverso. (NOTA: Tome nota de las arandelas principales de las tapas de los líquidos y el cuerpo central para garantizar una alineación adecuada.)
- Lubrique la varilla del diafragma antes de la instalación (use el lubricante LUBRIPLATE® Super FML-2 que se proporciona).
- Cuando reemplace los diafragmas de PTFE, asegúrese de colocar el diafragma de soporte azul hacia el cuerpo central y el de PTFE hacia la tapa de los líquidos.
- Observe las especificaciones de torsión que se indican para todos los sujetadores o anillos (tabla de especificaciones de torsión en la página 8); use la llave de mantenimiento y la llave de torsión; apriete según las especificaciones.
- Cuando coloque las tapas de los líquidos en el cuerpo central, selle con un grado de rotación de 90 o 110 desde el punto de contacto hasta el mismo reborde del diafragma. Los anillos se deben nivelar (o dejar casi nivelados) al interior de las paredes del cuerpo central para validar un sello adecuado (como se muestra a continuación). **Las especificaciones de torsión se indican en la página 8.**

- Los anillos deben apretarse para que queden nivelados con el centro del cuerpo o lo sobrepasen solo un poco.



Desmontaje de la sección de aire

- Desenrosque y retire los pernos de cabeza con reborde (13) (utilice un conector de 3/8 pulg.).
- Retire el conjunto del bloque de la válvula (2) de la bomba.
- Retire las válvulas de cerámica (7) de la bomba.
- Retire la empaquetadura de vía de la válvula principal (8) de la bomba.
- Retire la empaquetadura de vía de la válvula piloto (9) del conjunto del bloque de la válvula (2).
- Retire el collarín (2G) del conjunto del bloque de la válvula. Utilice la llave de mantenimiento.
- Retire los componentes del bloque de la válvula. Separe la junta tórica (2E) del tapón (2F). Separe los colectores en U (2B y 2D) de la bobina (2C). Tome nota de la dirección de los labios del colector en U; estos se deben volver a montar correctamente para que la sección de aire funcione de manera correcta.
- Desmonte la sección de líquido según las instrucciones anteriores.
- Retire los tornillos (1C), los sujetadores de sello (1B), los colectores en U (1A) y las juntas tóricas (1D) de cada lado del cuerpo central (1). Tome nota de la dirección de los labios del colector en U; estos se deben volver a montar correctamente para que la sección de aire funcione de manera correcta.

Reensamblaje de la sección de aire

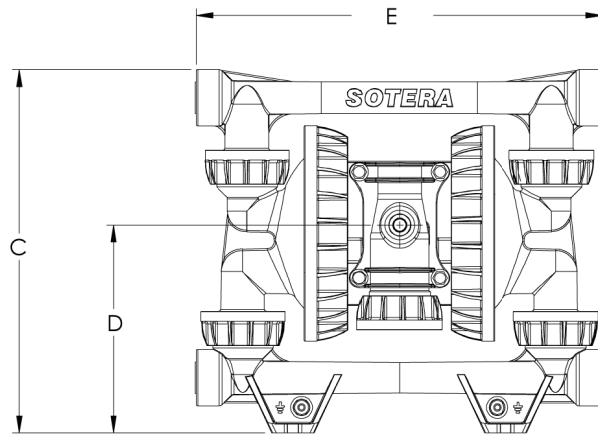
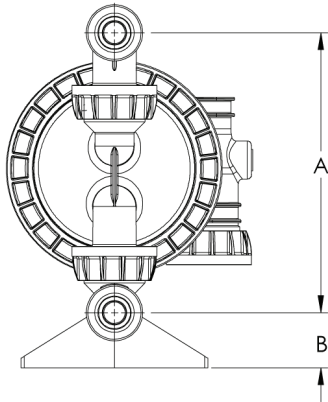
- Vuelva a montar en orden inverso.
- Lubrique todos los sellos deslizantes antes de la instalación (use el lubricante LUBRIPLATE® Super FML-2 que se proporciona).
- **Observe las especificaciones de torsión que se indican para todos los sujetadores (tabla de especificaciones de torsión en la página 8); use la llave de mantenimiento y la llave de torsión; apriete según las especificaciones.**

Solución de problemas

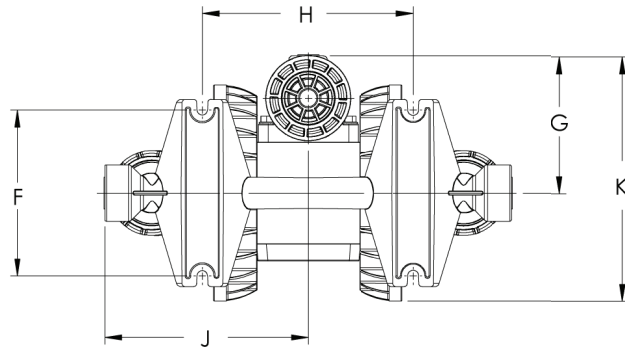
Síntoma	Cause probable	Réparation
Descarga de líquido desde la salida del escape	• Diafragma roto (20)	• Reemplace el diafragma (20)
	• Tuerca del diafragma suelta (4A)	• Apriete la tuerca del diafragma suelta (4A)
Burbujas de aire en la descarga de líquido.	• Fugas en la plomería del lado de succión	• Revise las conexiones de la plomería de succión
	• Fugas en el collarín de entrada (4C)	• Revise la torsión del collarín de entrada (4C)
	• Fugas en la tuerca del diafragma (4A)	• Revise la torsión de la tuerca del diafragma (4A)
El motor libera aire hacia fuera del escape principal cuando se detiene en cualquier recorrido.	• Los colectores en U se insertaron de manera incorrecta, están dañados o no están.	• Revise los colectores en U (2B y 2D) en la bobina de la válvula principal.
	• Las válvulas de cerámica están dañadas o contaminadas con residuos (7).	• Revise si las válvulas de cerámica (7) tienen residuos o están dañadas.
	• La válvula piloto no está orientada correctamente.	• Asegúrese de cargar la válvula piloto en la orientación adecuada según el diagrama que se ubica en el cuerpo central.
Bajo volumen de salida de líquido.	• Suministro de aire de entrada bajo o bloqueado.	• Revise el suministro de aire.
	• Bloqueo de la plomería de salida.	• Revise si hay obstrucciones en la plomería de salida.
	• Bomba no cebada.	• La bomba se debe montar de manera vertical para que las revisiones funcionen correctamente.
	• La tubería de succión es demasiado pequeña o la manguera de succión no es rígida (se tuerce o colapsa).	• Revise la cavitación de la bomba: la tubería de succión se debe tener un tamaño de al menos la longitud del diámetro de la rosca de entrada. La manguera de succión debe ser rígida o no plegable.
	• Fugas en la plomería de succión de entrada.	• Revise toda la plomería de entrada en búsqueda de posibles fugas de succión.
	• La bomba está bloqueada internamente con residuos.	• Inspeccione la bomba en búsqueda de residuos que puedan bloquear el flujo interno o arruinar las revisiones.

NOTAS

Información de dimensiones



Dimensión	Pulgadas	Métrico
A	8,245 pulg.	209,42 mm
B	1,625 pulg.	41,28 mm
C	10,70 pulg.	271,78 mm
D	6,123 pulg.	155,524 mm
E	12,000 pulg.	304,80 mm
F	4,875 pulg.	123,825 mm
G	4,031 pulg.	102,387 mm
H	6,250 pulg.	158,75 mm
J	6,000 pulg.	152,40 mm
K	7,206 pulg.	183,032 mm



Accesorios

Los siguientes accesorios se encuentran disponibles para personalizar la bomba SP100. Comuníquese con su representante de Sotera si tiene alguna pregunta, o si desea pedir alguno de los accesorios que aparecen a continuación.

N.º de pieza	Accesorio	Descripción
KITS05WMA	Soporte de montaje en pared	Soporte de acero inoxidable para aplicaciones de montaje en pared de la bomba SP100
KITS05FRH	Juego de filtro o regulador	Filtro de tubería de aire, regulador y manguera
KITS05MUF	Silenciador	Silenciador para escape de aire
KITS05WCH	Llave de montaje	Herramienta especial para mantenimiento para usar en el múltiple y en los anillos de retención de líquido (4A y 4C en el diagrama de la página 5).
KIT180MAMPS	Placa de transferencia (para transferencia de contenedor IBC)	Placa de transferencia, piezas metálicas de fijación

Cumplimiento de normativas

La bomba neumática de diafragma Sotera SP100 de 1/2 pulg. se ha sometido a pruebas y cumple las normas rígidas de certificación según los organismos reguladores a continuación.*



Los modelos de polipropileno (no conductor) cumplen con las siguientes normas europeas:

- 2006/42/EC; Maquinaria
- BS EN ISO 12100:2010, Seguridad de las maquinas. Principios generales para el diseño; evaluación de riesgos y reducción de riesgos.
- BS EN 809:1998: Bombas y grupos motobombas para líquidos. Requisitos comunes de seguridad.



Modelos para usar en **AT**mosphere **EX**plosive (**ATEX**) que cumplen con las normas europeas:

- 94/9/EC – Directriz para equipos pensados para usarlos en ambientes potencialmente explosivos.
- EN 13463 - 1 – Equipos no eléctricos para usarlos en ambientes potencialmente explosivos: Parte 1: Método básico y requisitos.
- EN 13463 - 5 – Equipos no eléctricos para usarlos en ambientes potencialmente explosivos: Parte 5: Protección a través de la seguridad constructiva “c”.



IMPORTANTE *Refiérase a la información reglamentaria impresa en la parte superior del cuerpo de la bomba para conocer los requisitos específicos para las bombas.

Visítenos en Internet en:

www.sotera.com

Conozca más acerca de Tuthill Corporation y nuestra familia de productos de gran calidad y enfocados en el valor en:

www.tuthill.com

SOTERA™

SYSTEMS

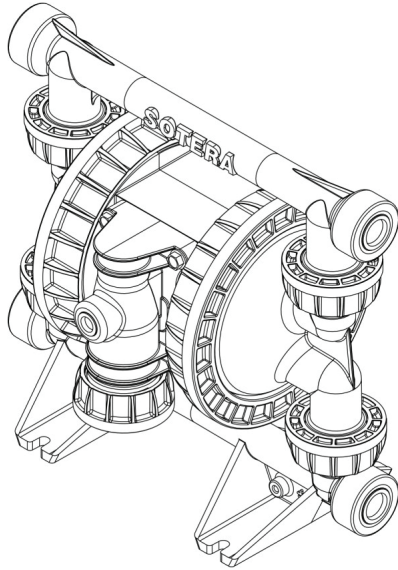
Sotera Systems
8825 Aviation Drive
Fort Wayne, IN 46809
1-800-634-2695
1-260-747-7524

Pompe à membrane pneumatique 1/2 po

Modèle SP100-05X-XX-XXX-X

Étagement des rapports (non métallique) 1:1

Manuel d'installation et d'utilisation



Données techniques de pompe

Type de pompe : double membrane pneumatique non métallique

Modèles : voir le tableau de description des modèles pour « -XXX »

Matériaux de construction : voir les tableaux de description de modèle

Poids : varie en fonction des matériaux de construction

Pression maximale d'arrivée d'air : 100 psi (6,9 bars)

Pression maximale d'arrivée des matières : 10 psi (0,69) bar

Pression maximale à la sortie : 100 psi (6,9 bars)

Consommation d'air (à 40 psi) : 0,005 m³/min (0,17 pi³/min) /litre (environ)

Raccordement d'air : 1/4 po NPT

Débit maximal (arrivée noyée) : 66,23 l/min (17,5 gal/min)

Déplacement/cycle à 100 psi : 0,14 l (0,036 gal)

Dimension maximale des particules : 2,4 mm (3/32 po) de diamètre

Limites de température maximales :

Acétal.....-12° à 82° C (10° à 180° F)

HYTREL®.....-29° à 66° C (-20° à 150° F)

PVDF.....-12° à 93° C (10° à 200° F)

Polypropylène.....-2° à 79° C (35° à 175° F)

Santoprene®.....-40° à 107° C (-40° à 225° F)

PTFE.....-4° à 107° C (40° à 225° F)

Données dimensionnelles

(caisse) :.....298 (H) x 362 (L) x 232 mm (P)
[11-3/4 (H) x 14-1/4 (L) x 9-1/8 po (P)]

Informations sur le poids :

Matériau de pompe	Poids de la pompe (lb)	Poids de la pompe (kg)	Poids d'expédition (lb)	Poids d'expédition (kg)
Polypropylène	5,7	2,6	7,2	3,3
PVDF	7,2	3,3	8,7	4,0
Acétal raccordable à la terre	6,8	3,1	8,3	3,8

Niveau sonore : 72,6 db (@ 70 psi, 60 cpm)

ATTENTION

Veillez lire ce manuel attentivement et entièrement AVANT d'installer, d'utiliser ou d'intervenir sur ce matériel. Conservez ce manuel pour pouvoir vous y reporter dans le futur.

Informations descriptives des modèles

SP100-05X-XX-XXX-X

TAILLE DES PORTS

RACCORD POUR FLUIDES

N - 1/2-14 NPTF-1

B - Rp 1/2 (BSPP)

MATÉRIAU DE CONSTRUCTION DES ENTRAÎNEMENTS

P - POLYPROPYLENE

C - NYLON RACCORDABLE À LA TERRE

MATÉRIAU DE CONSTRUCTION DES PARTIES IMMERGÉES

P - POLYPROPYLENE

D - ACÉTAL RACCORDABLE À LA TERRE

F - PVDF

MEMBRANE

S - SANTOPRENE®

H - HYTREL®

T - PTFE AVEC PIÈCE D'APPUI EN SANTOPRENE®

BILLES

S - SANTOPRENE®

H - HYTREL®

T - PTFE

M - EN ACIER INOXYDABLE

SIÈGES

S - SANTOPRENE®

H - HYTREL®

P - PP (avec joint d'étanchéité PTFE)

F - PVDF (avec joint d'étanchéité PTFE)

D - Acétal (avec joint d'étanchéité PTFE)

OPTIONS

KIT D'INTERVENTION SUR LA SECTION FLUIDE	KIT		
	S05	X	X X
MEMBRANE			
BILLES			
SIÈGES			

MEMBRANE

BILLES

SIÈGES

AVIS : toutes les options possibles sont présentées sur le tableau ; toutefois, certaines combinaisons peuvent ne pas être recommandées. Consultez un représentant ou l'usine si vous avez des questions concernant la disponibilité.

Icônes d'informations sur la sécurité

AVERTISSEMENT

Dangers ou pratiques dangereuses pouvant entraîner de graves blessures, la mort ou des dégâts matériels considérables.

ATTENTION

Dangers ou pratiques dangereuses pouvant entraîner des dommages mineurs corporels, au produit ou aux biens.

IMPORTANT

Informations importantes sur l'installation, l'utilisation ou la maintenance.

Informations concernant l'utilisation et la sécurité

AVERTISSEMENT

PRESSION D'AIR EXCESSIVE. Peut être à l'origine de graves blessures, de dommages à la pompe ou de dégâts matériels.

- Ne dépassez pas la pression d'air maximale d'arrivée d'air comme mentionné sur la pompe.
- Assurez-vous que les tuyaux de matières et les autres composants sont capables de résister aux pressions des fluides générées par cette pompe. Inspectez tous les tuyaux pour vérifier qu'ils ne soient ni endommagés ni usés. Assurez-vous que le dispositif d'évacuation soit propre et en bon état de fonctionnement.

AVERTISSEMENT

DANGER D'EXPLOSION. Le pompage de liquides à bas point d'éclair présente un risque de blessures corporelles, de dommages à la pompe et de dégâts matériels.

AVERTISSEMENT

ÉTINCELLE STATIQUE. Peut provoquer une explosion entraînant de graves blessures, voire même la mort. Pompe et système de pompage raccordés à la terre.

- **Pompes Acétal raccordables à la terre :** Utilisez la cosse de mise à la terre fournie. Connectez à un fil de calibre 12 (minimum) (le kit est fourni) pour obtenir un bon raccordement à la terre (voir page 4 pour de plus amples détails).
- Les étincelles peuvent mettre le feu à des matières ou vapeurs inflammables.
- Le système de pompage ainsi que le produit à pulvériser doivent être raccordés à la terre quand il pompe, purge, recycle ou pulvérise des matières inflammables telles que des peintures, solvants, laques, etc., ou bien quand il est utilisé dans un lieu où l'atmosphère environnante est propice à une combustion spontanée. Raccordez à la terre la valve ou le dispositif d'évacuation, les récipients, tuyaux et tout objet dans lequel des matières sont pompées.
- Attachez la pompe, les raccords et tous les points de contact pour éviter les vibrations et la création d'étincelle de contact ou statique.
- Consultez les codes de construction locaux ainsi que les codes de l'électricité locaux pour les exigences spécifiques en matière de raccordement à la terre.
- Après avoir procédé aux raccordements à la terre, vérifiez périodiquement la continuité du circuit électrique conduisant à la terre. Testez à l'aide d'un ohmmètre la continuité entre chaque composant (p. ex., tuyaux, brides, récipient, pistolet de pulvérisation, etc.) et la terre. L'ohmmètre doit afficher 0,1 ohm ou moins.
- Immergez si possible l'extrémité du tuyau de sortie, la valve ou le dispositif d'évacuation dans la matière à évacuer (évitée que la matière à évacuer s'écoule librement).
- Utilisez des tuyaux intégrant un fil statique.
- Ventilez de façon adéquate.
- Maintenez les matières inflammables éloignées de la chaleur, de flammes nues ou d'étincelle.
- Maintenez les récipients fermés quand ils ne sont pas utilisés.

AVERTISSEMENT

LES MATIÈRES ÉVACUÉES PEUVENT CONTENIR DES PRODUITS CONTAMINANTS. Elles peuvent provoquer de graves blessures.

Refoulez les matières évacuées à bonne distance des zones de travail et du personnel.

- Dans le cas d'une rupture de membrane, les matières peuvent s'évacuer en force du silencieux d'évacuation d'air.
- Refoulez les matières d'évacuation en direction d'un endroit sûr et éloigné lorsque vous pompez des matières dangereuses ou inflammables.
- Utilisez un tuyau raccordé à la terre de 9,5 mm (3/8 po) de diamètre intérieur entre la pompe et le silencieux.

AVERTISSEMENT

PRESSION DANGEREUSE. Peut être à l'origine de graves blessures ou dégâts matériels. N'intervenez pas sur la pompe, les tuyaux ou la valve d'évacuation ou ne les nettoyez pas quand le système est sous pression.

- Débranchez la conduite d'arrivée d'air et relâchez la pression du système en ouvrant la valve ou le dispositif d'évacuation et/ou en desserrant et en retirant lentement le tuyau de sortie ou la tuyauterie de la pompe.

AVERTISSEMENT

MATIÈRES DANGEREUSES. Peuvent être à l'origine de graves blessures ou dégâts matériels. Ne tentez pas de retourner une pompe qui contient des matières dangereuses à l'usine ou au centre de réparations et de maintenance. Les règles de sécurité concernant la manutention doivent se conformer aux lois locales et nationales ainsi qu'aux exigences des codes de sécurité.

- Procurez-vous auprès du fournisseur les fiches de sécurité des matières détaillant les instructions de manipulation à respecter.

AVERTISSEMENT

DANGER D'EXPLOSION. Les modèles contenant des pièces en aluminium ne peuvent pas être utilisées avec du 1,1,1-trichloréthane, du dichlorométhane ou d'autres solvants d'hydrocarbure halogéné pouvant réagir et exploser.

- Vérifiez la section d'entraînement d'air, les capuchons de gicleur, les manifolds et toutes les pièces immergées pour s'assurer de leur compatibilité avant d'utiliser des solvants de ce type.

ATTENTION

Vérifiez la compatibilité chimique des pièces immergées de la pompe et de la substance à pomper, à purger ou à recycler. La compatibilité chimique peut changer en fonction de la température et de la concentration de(s) produit(s) chimique(s) contenu(s) dans la substance à pomper, à purger ou à recycler. Pour connaître la compatibilité d'un fluide spécifique, consultez le fabricant du produit chimique.

ATTENTION

Les températures maximales sont basées uniquement sur l'effort mécanique. Certains produits chimiques réduiront de manière significative la température de service maximale sûre. Consultez le fabricant de produits chimiques pour obtenir des informations sur la compatibilité et les limites de température.

ATTENTION

Assurez-vous que tous les utilisateurs de ce matériel ont été formés aux mesures de sécurité au travail, comprennent leurs limites et portent des lunettes de protection et/ou un équipement de protection quand cela est exigé.

ATTENTION

Ne pas utiliser la pompe comme support structurel du système de tuyauterie. Assurez-vous que les composants du système sont correctement soutenus pour éviter toute tension sur les pièces de la pompe. Les raccords d'aspiration et de refoulement doivent être flexibles (comme par exemple des tuyaux souples), non des tuyaux rigides, et doivent être compatibles avec la substance à pomper.

ATTENTION

Évitez d'endommager inutilement la pompe. Ne laissez pas la pompe fonctionner quand elle n'a pas été approvisionnée en matières depuis longtemps.

- Débranchez la conduite d'air de la pompe quand le système reste au repos pendant de longues périodes.

Informations concernant l'utilisation et la sécurité (suite)

ATTENTION

Utilisez uniquement des pièces de rechange Sotera pour assurer la capacité nominale de pression et une durée de service plus longue.

IMPORTANT

Installez la pompe en position verticale (debout). La pompe peut ne pas s'amorcer correctement si, par gravité, les billes ne s'appuient pas sur les sièges dès le démarrage.

IMPORTANT

Resserrez toutes les attaches et les bagues avant d'utiliser la pompe. Le glissement des matériaux du corps et des joints statiques peut provoquer le desserrement des attaches et des bagues. Resserrez toutes les attaches et les bagues pour vous assurer qu'il n'y ait pas de fuite de fluide ou d'air (les spécifications de serrage sont en page 8).

IMPORTANT

Attachez l'étiquette d'avertissement appropriée sur le manifold de sortie de pompe (étiquette fournie en quatre langues : Référence N° LB000646-000).

Des étiquettes d'avertissement de rechange sont disponibles sur demande. Utilisez la référence indiquée ci-dessus pour une commande.

Description générale

La pompe à membrane Sotera offre un débit-volume élevé même quand la pression d'air est faible et un large éventail de choix de compatibilité de matières est disponible. Consultez le tableau des modèles et des options. Les pompes Sotera présentent un moteur modulaire à air et des sections fluides conçues pour ne pas se bloquer.

Les pompes à double membrane pneumatiques utilisent un différentiel de pression dans les réservoirs d'air pour créer alternativement une aspiration et une pression de fluide positive dans les réservoirs de fluide. Des clapets à bille assurent le débit positif du fluide.

La pompe démarrera un cycle quand la pression d'air s'exercera. Quand elle démarre un cycle, la pompe renforce et maintient la pression dans les conduites et arrête le cycle une fois que la pression maximale est atteinte dans les conduites (dispositif d'évacuation fermé). Au besoin, la pompe redémarrera un cycle (quand le dispositif d'évacuation est ouvert ou fermé).

Exigences en matière d'air et de lubrification

AVERTISSEMENT

UNE PRESSION D'AIR EXCESSIVE peut être à l'origine de dommages à la pompe, de graves blessures ou de dégâts matériels.

- Un filtre capable de filtrer des particules supérieures à 50 microns doit être utilisé sur l'arrivée d'air. Il n'y a pas d'autre lubrification requise que celle du joint torique, effectuée lors du montage.
- Si de l'air lubrifié est présent, assurez-vous qu'il est compatible avec les joints toriques et les joints d'étanchéité dans la section du moteur pneumatique de la pompe.

Informations sur l'installation

AVERTISSEMENT

Un raccord rapide d'air (D) est nécessaire dans votre système pour relâcher l'air emprisonné entre cette valve et la pompe. L'air emprisonné peut entraîner de façon inattendue le démarrage du cycle de la pompe, ce qui peut être à l'origine de graves blessures, notamment des projections dans les yeux ou sur la peau, ou bien la contamination par le biais de fluides dangereux.

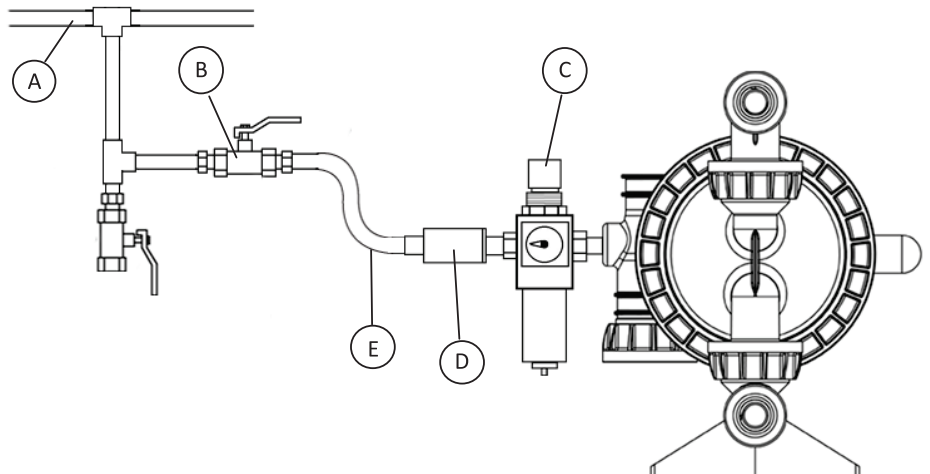
ATTENTION

L'air évacué de la pompe peut contenir des produits contaminants. Ventilez en direction d'une zone éloignée si les contaminants peuvent affecter votre alimentation en fluide. Lisez ci-dessous (page 4) les informations sur la **ventilation de l'évacuation d'air**.

Installation de conduite d'air

Installez la conduite d'air comme illustré ci-dessous. Montez solidement toutes les conduites et accessoires sur le mur ou sur des supports. **L'utilisation d'un dispositif de régulation de pression est obligatoire. LA PRESSION MAXIMALE DE CONDUITE EST DE 100 psi (6,9 bars).**

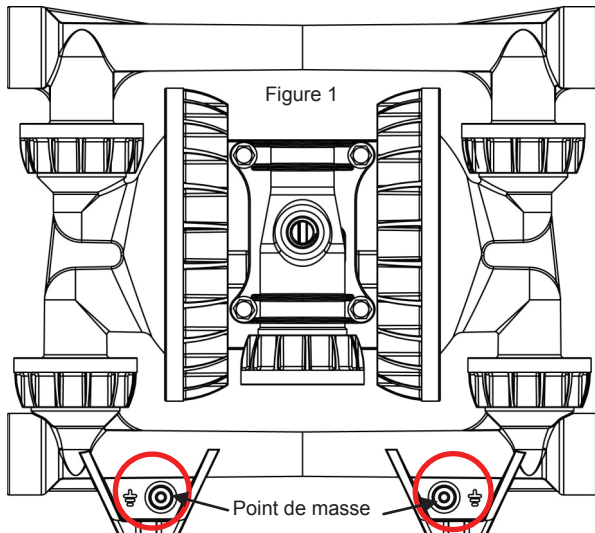
- Raccordez la conduite d'air à la pompe à membrane pneumatique comme cela est illustré :
 - Les conduites d'arrivée d'air rigides doivent être raccordées selon les codes en vigueur (A) et attachées à des fixations murales ou à des supports.
 - Posez une vanne d'arrêt pneumatique générale (B) pour permettre de réparer ou d'entretenir la pompe.
 - Posez un régulateur de filtre à air (C) (KITS05FRH) pour réguler et filtrer l'air d'arrivée de la pompe (la vitesse de la pompe peut également être contrôlée par le biais de ce dispositif).
 - Placez un raccord rapide d'air (D) entre la conduite flexible et le filtre du régulateur d'air. Utilisez-le pour relâcher l'air emprisonné pendant une intervention.
 - Posez un tuyau (E) entre la vanne d'arrêt pneumatique générale (B) et le régulateur du filtre à air (C). **NE PAS** installer de conduites d'air rigides sur la pompe. Les vibrations de la pompe pourraient endommager la pompe et/ou les conduites d'air et de fluide.



Installation de conduite d'air (suite)

Raccordement à la terre de la pompe

AVERTISSEMENT **DANGER D'INCENDIE ET D'EXPLOSION !** Les pompes à membrane pneumatique SP100-05X-CD-XXX-X de Sotera (Acétal raccordable à la terre) doivent être raccordées à la terre pour qu'elles fonctionnent correctement et en toute sécurité. Avant d'utiliser la pompe, assurez-vous qu'elle est correctement raccordée à la terre comme illustré ci-dessous. Lisez et comprenez les avertissements en page 2 concernant le raccordement à la terre et les dangers d'incendie dus à des étincelles. Une pompe mal raccordée à la terre peut présenter des risques d'incendie.



La pompe à membrane pneumatique SP100 peut être raccordée à la terre par l'intermédiaire du pied de fixation situé sur le manifold d'arrivée (Figure 1). Pour réduire le risque d'étincelle statique, raccordez à la terre la pompe et tout le matériel situé dans la zone de pompage. Les fils de mise à la terre doivent être de calibre adéquat et installés conformément aux codes de l'électricité locaux et nationaux.

N'utilisez jamais de polypropylène ou de PVDF avec des fluides non conducteurs inflammables comme le spécifie votre code local de protection contre les incendies. Contactez votre fournisseur de fluide pour déterminer la conductivité ou la résistance de votre fluide.

S'il y a une étincelle statique ou si vous sentez qu'il y a une étincelle statique pendant que vous utilisez ce matériel, **arrêtez immédiatement la pompe ! NE PAS utiliser le matériel tant que le problème n'a pas été identifié et corrigé.**

Si vous utilisez une pompe conductrice (Acétal), utilisez des tuyaux conducteurs. Si vous utilisez une pompe non conductrice, raccordez à la terre le circuit de fluide.

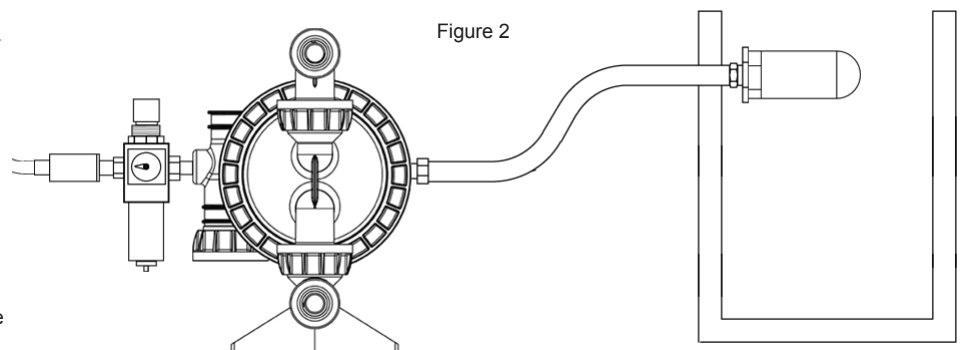
L'installation doit prévoir une ventilation adéquate. Il est impératif qu'une ventilation adéquate d'air renouvelé soit prévue pour prévenir l'accumulation de vapeurs inflammables, explosives ou toxiques générées par le fluide qui est pompé.

Maintenez la zone entourant la pompe propre et exempte de débris, notamment les chiffons, les solvants et l'essence. Ne laissez pas de veilleuses ou de flammes nues près de la zone de travail. Ayez toujours un extincteur à portée de main.

Ventilation de l'air évacué

Lors d'une panne de membrane, le fluide à pomper s'évacuera avec l'air. Dans le cas de pompage de matières caustiques, explosives ou inflammables, elles peuvent être refoulées avec l'air évacué.

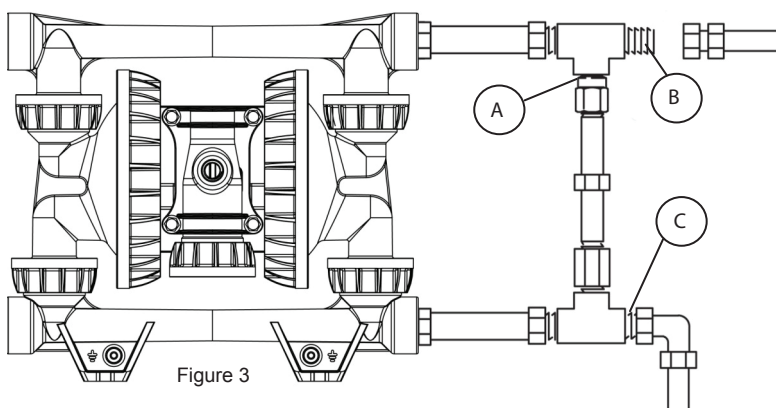
L'air évacué de la pompe doit être correctement acheminé pour assurer un fonctionnement sûr. L'air évacué doit être dirigé dans un endroit sûr, suffisamment éloigné pour qu'il ne mette pas en danger les personnes ou les animaux ou qu'il ne contamine pas de zones de préparation d'aliments. La zone d'évacuation doit être également suffisamment éloignée de toute source inflammable potentielle.



Il est également important de placer l'extrémité de la tuyauterie d'évacuation dans un récipient adéquat pouvant contenir tout liquide rejeté (Figure 2).

Posez un tuyau d'évacuation d'air conducteur en raccordant le silencieux à son extrémité. Le tuyau doit avoir un diamètre intérieur minimal de 9,5 mm (3/8 po). Si la tuyauterie a une longueur supérieure à 4,6 m (15 pi), vous devez utiliser un tuyau de diamètre supérieur. Quand vous faites courir le tuyau, veillez à ne pas l'entortiller ou le recourber à angle aigu, ce qui pourrait bloquer le débit d'air.

Soupape de décharge de fluide



Certains systèmes peuvent nécessiter la pose d'une soupape de décharge de pression au niveau de la sortie de pompe pour éviter une surpression et la rupture éventuelle de la pompe ou du tuyau.

La dilatation thermique du fluide dans la conduite de sortie peut entraîner une surpression, même si la pompe n'est pas en marche. La dilatation thermique peut se produire quand des conduites de fluide, des récipients de stockage de fluide ou des pompes sont exposés aux rayons du soleil ou à la chaleur ambiante. Elle peut également se produire quand vous pompez du fluide d'une zone fraîche (récipients de stockage souterrain par exemple) vers une zone chaude.

- Posez le clapet de retenue entre les ports d'entrée et de sortie.
- Raccordez la sortie de fluide.
- Raccordez l'entrée de fluide ici.
- NE JAMAIS** installer de clapet de pied sur le tube d'aspiration.

Installation de conduite d'air (suite)

Procédure de relâchement de pression

AVERTISSEMENT **AVERTISSEMENT ! TOUT MATÉRIEL SOUS PRESSION EST DANGEREUX !** Votre pompe à membrane pneumatique Sotera et le système dans lequel elle est installée restent pressurisés jusqu'à ce que la pression soit relâchée manuellement. Cette situation crée un risque potentiel de graves blessures ayant à l'origine le fluide sous pression, une vaporisation accidentelle ou une projection de fluide si des précautions adéquates ne sont pas prises lors de l'ouverture ou de l'utilisation du système. Pour atténuer les risques, la procédure suivante doit être suivie toutes les fois que vous devez :

- Relâcher la pression
- Arrêter le pompage
- Nettoyer, réparer ou vérifier une pièce quelconque du système ou de la pompe
- Poser ou nettoyer des tuyères de pulvérisation

Pour relâcher la pression en toute sécurité, il est primordial que vous :

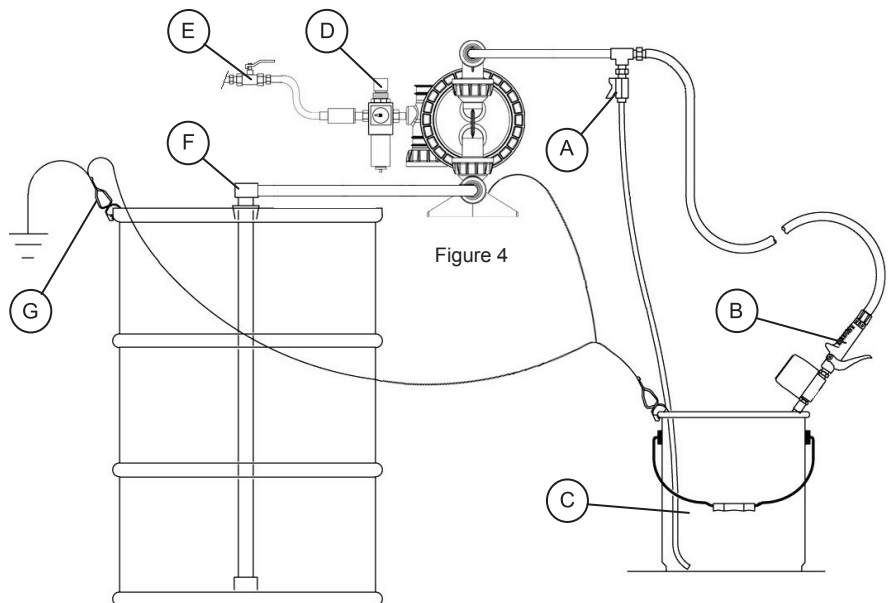
- Fermez l'arrivée d'air sur la pompe
- Ouvrez la valve d'évacuation (si la pompe en est équipée)
- Ouvrez le drain de fluide pour relâcher toute la pression de fluide dans le système (placez un récipient au niveau du drain de fluides pour recueillir tous les fluides évacués. Faites preuve de précautions dans la mesure où de la pression dans le système peut forcer le fluide à s'évacuer rapidement).

Préparer la pompe avant la première utilisation et la mise en marche initiale

Votre pompe à membrane pneumatique Sotera est testée pendant sa fabrication à l'usine en utilisant de l'eau. La pompe est vidangée à la fin du test, mais il peut toujours y avoir présence d'eau résiduelle à l'intérieur et, par conséquent, il est important de soigneusement purger votre pompe à l'aide d'un solvant compatible avant toute première utilisation.

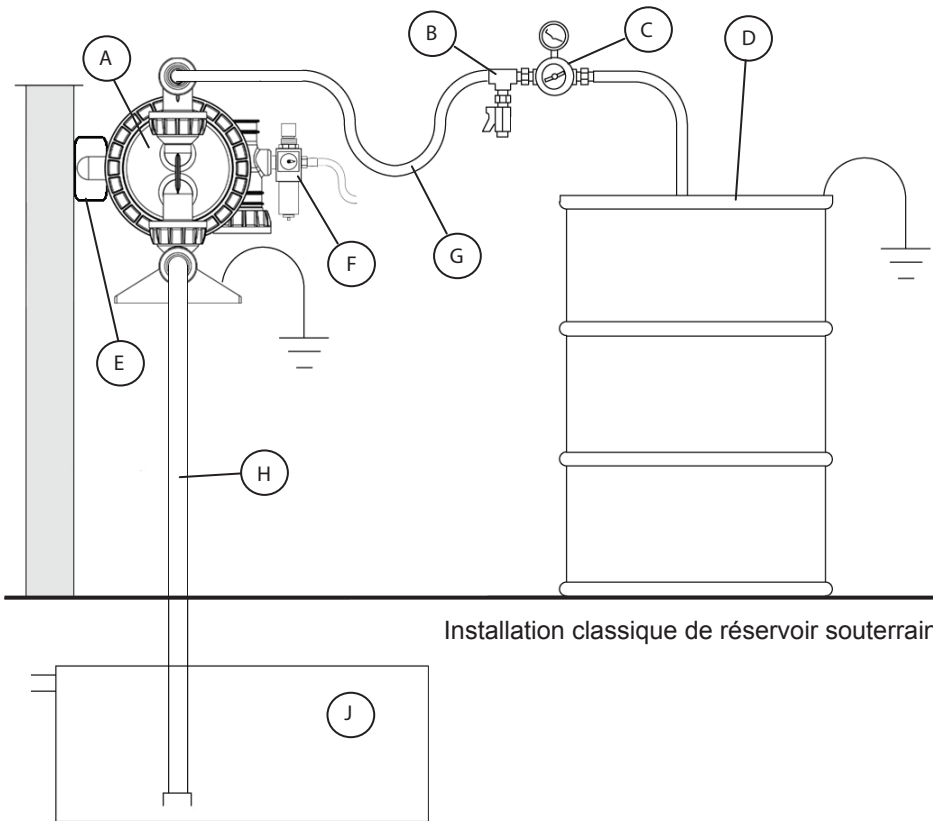
Consultez toutes les informations « **D'AVERTISSEMENT** » et de « **ATTENTION** » en page 2 avant la mise en marche pour vous assurer que la pompe est prête à être utilisée. Resserrez toutes les attaches et les bagues avant la mise en marche pour vous assurer de la bonne étanchéité du système aux fluides. Le serrage adéquat est primordial pour une bonne étanchéité. **NE PAS** serrer de façon excessive les attaches et les bagues (les spécifications de serrage se trouvent en page 8). Assurez-vous que le système et la pompe sont au besoin raccordés à la terre (G). Assurez-vous que la pompe soit solidement attachée à une surface solide et que le système soit raccordé de telle façon qu'il absorbe les chocs et les vibrations (voir informations sur la fixation en pages 3, 4 et 6).

- Placez le tuyau d'aspiration (F) (s'il est utilisé) dans le récipient de fluide (**REMARQUE** : si la pression du fluide à l'arrivée est supérieure de 25 % à la pression de service à la sortie, les clapets à bille ne se fermeront pas suffisamment rapidement et la pompe ne fonctionnera pas efficacement).
- Placez l'extrémité de la conduite de sortie du fluide (B) dans un récipient adéquat (C) pour recueillir le fluide évacué.
- Fermez le robinet de vidange (A).
- Le régulateur d'air (D) étant complètement fermé, ouvrez toutes les purgeurs d'air généraux (E).
- Si le système utilise un dispositif d'évacuation des fluides (B), maintenez-le ouvert quand vous ouvrez **lentement** le régulateur d'air (D) jusqu'à ce que la pompe entame son cycle. Vous devez faire fonctionner la pompe lentement jusqu'à ce que l'air dans les conduites de fluide soit purgé. La pompe est alors amorcée et prête à l'utilisation.
- **REMARQUE** : si vous purgez la pompe, assurez-vous de pomper suffisamment longtemps pour que la pompe, les conduites, les tuyaux et le dispositif d'évacuation soient complètement purgés.



AVERTISSEMENT **AVERTISSEMENT ! ARRÊT APPROPRIÉ DE LA POMPE !** La durée de vie de la membrane et des joints peut être réduite si une pression d'air s'exerce sur le moteur pendant de longues périodes quand la pompe n'est pas utilisée. La pose d'une électrovanne à trois voies relâchant automatiquement la pression exercée sur le moteur quand un cycle de comptage est terminé empêche ceci de se produire.

Installation de conduite de fluide



Installation classique raccordée à la terre

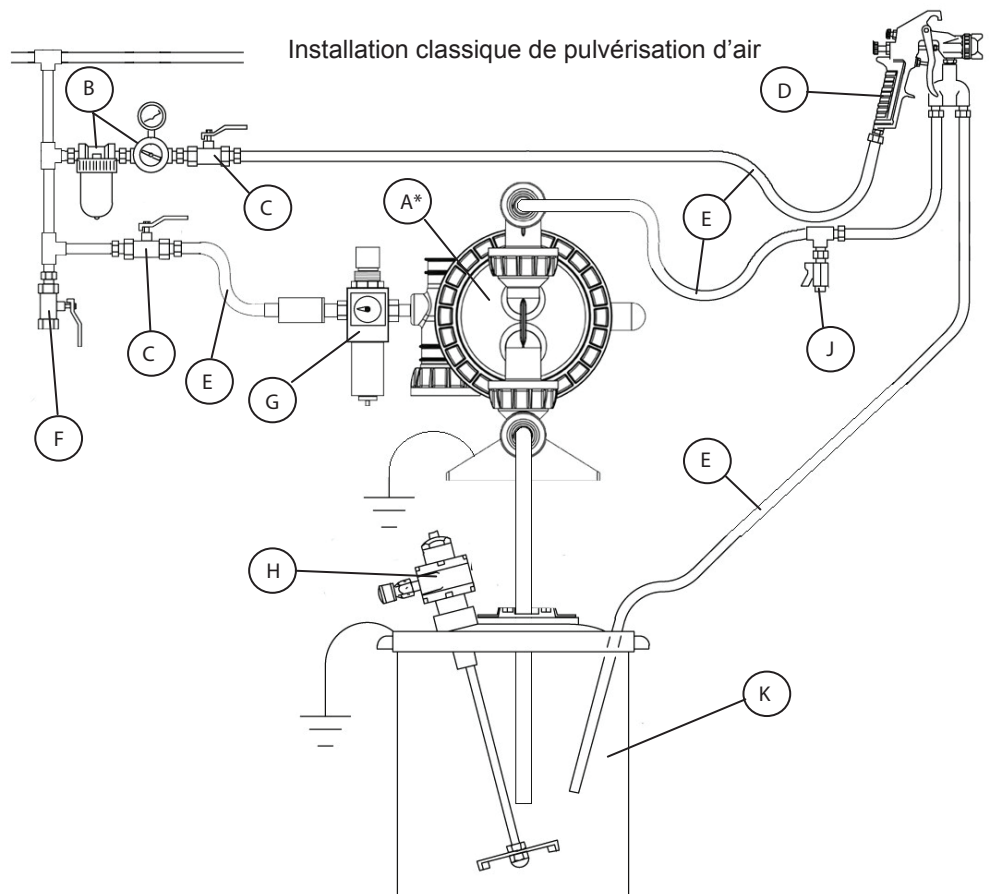
REMARQUE : La pompe (A) et le réservoir/fût/baril de fluide doivent être raccordés à la terre comme cela est illustré.

- A) Pompe à membrane pneumatique SP100
- B) Robinet de vidange (recommandé)
- C) Régulateur de fluide (facultatif)
- D) Réservoir/fût/baril de fluide
- E) Support de fixation mural (KITS05WMA)
- F) Régulateur de filtre à air (obligatoire : voir informations sur l'installation de conduite d'air en page 3)
- G) Tuyau (côté sortie)
- H) Tube d'aspiration
- J) Réservoir souterrain

Installation classique de pulvérisation d'air

REMARQUE : La pompe (A) et le réservoir de fluide (K) doivent être raccordés à la terre.

- A) Pompe à membrane pneumatique SP100*
- B) Accessoires de conduite d'air (raccordez la conduite d'air au pistolet pulvérisateur selon les spécifications des fabricants)
- C) Soupape générale d'arrêt d'air
- D) Pistolet pulvérisateur
- E) Tuyau flexible d'air et de fluide
- F) Purgeur d'air général (pour évacuation d'air et de fluide)
- G) Régulateur de filtre à air (obligatoire : voir informations sur l'installation de conduite d'air en page 3)
- H) Agitateur
- J) Robinet de vidange (recommandé)
- K) Seau de 19 l (5 gal)



*REMARQUE : Fixez solidement la pompe sur une surface solide à l'aide de supports et d'attaches appropriés pour l'application.

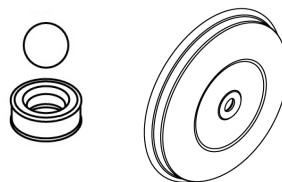
Kits et pièces

Kit de section de fluide KITS05SSS

Article	Description	Qté
20	Membrane, Santoprene®	2
30	Bille, Santoprene®	4
40	Siège, Santoprene®	4

Kit HYTREL® de section de fluide KITS05HHH

Article	Description	Qté
20	Membrane, HYTREL®	2
30	Bille, HYTREL®	4
40	Siège, HYTREL®	4



Kit PTFE de section de fluide KITS05TTP, PP

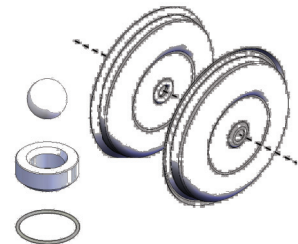
Article	Description	Qté
*	Appui de membrane	2
*	Joint torique, PTFE	4
20	Membrane, PTFE	2
30	Bille, PTFE	4
40	Siège, polypropylène	4

Kit PTFE de section de fluide KITS05TTF, PVDF

Article	Description	Qté
*	Appui de membrane	2
*	Joint torique, PTFE	4
20	Membrane, PTFE	2
30	Bille, PTFE	4
40	Siège, PVDF	4

Kit de section de fluide KITS05TTD, PTFE, ACÉTAL

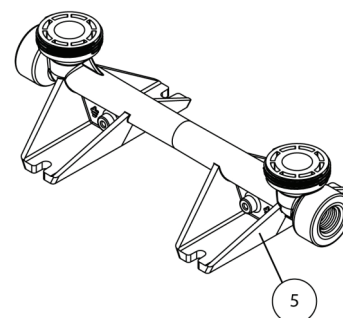
Article	Description	Qté
*	Appui de membrane	2
*	Joint torique, PTFE	4
20	Membrane, PTFE	2
30	Bille, PTFE	4
40	Siège, Acétal	4



* Pièce non numérotée/illustrée

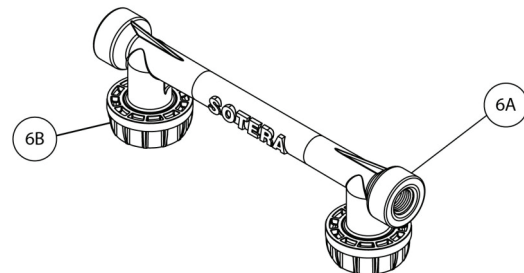
Kits d'entrée

KIT	Article	Description	Matériau de construction	Qté
KITS05NIP	5	Entrée	Polypropylène	1
KITS05NID	5	Entrée	Acétal raccordable à la terre	1
KITS05NIF	5	Entrée	PVDF	1
KITS05BIP	5	Entrée	BSPP polypropylène	1
KITS05BID	5	Entrée	BSPP Acétal raccordable à la terre	1
KITS05BIF	5	Entrée	PVDF BSPP	1



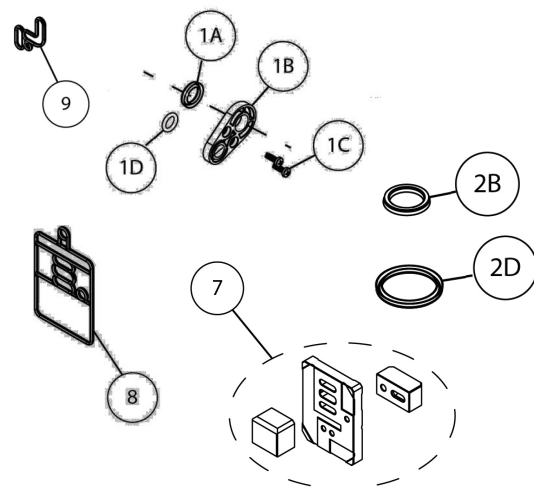
Kits de sortie

KIT	Article	Description	Matériau de construction	Qté
KITS05NOP	6	Sortie	Polypropylène	1
KITS05NOD	6	Sortie	Acétal raccordable à la terre	1
KITS05NOF	6	Sortie	PVDF	1
KITS05BOP	6	Sortie	BSPP polypropylène	1
KITS05BOD	6	Sortie	BSPP Acétal raccordable à la terre	1
KITS05BOF	6	Sortie	PVDF BSPP	1



Nécessaire de montage de purgeur d'air KITS05AVA

Article	Description	Qté
1A	Rondelle à lèvres, Buna-N, 1/2 x 3/4 x 1/8 **	2
1D	Joint torique, Buna-N, 2 - 110	2
2B	Rondelle à lèvres, Buna-N, 3/4 x 1 x 1/8 **	1
2D	Rondelle à lèvres, Buna-N, 1-3/16 x 1-7/16 x 1/8 **	1
7	Céramique	1
8	Joint de rainure, valve majeure, Buna-N	1
9	Joint de rainure, guide, Buna-N	1
*	Pot de graisse	1



* Pièce non numérotée/illustrée

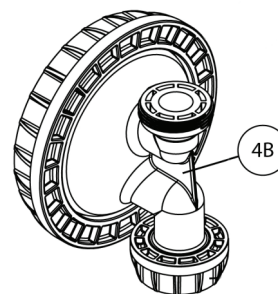
**Notez l'orientation de l'installation, page 8

Modèles non conducteurs livrés avec rondelles à lèvres en uréthane.

Kits et pièces (suite)

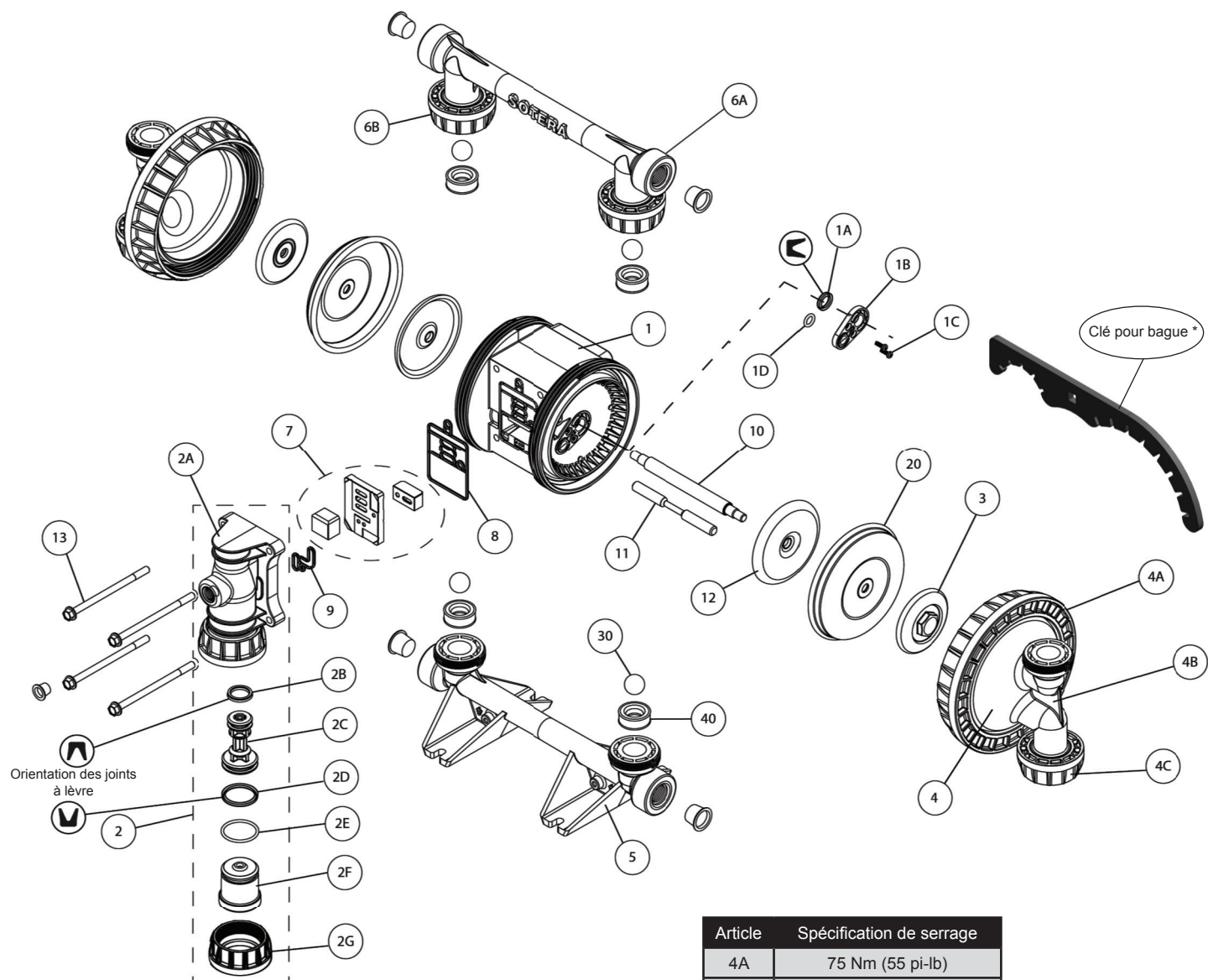
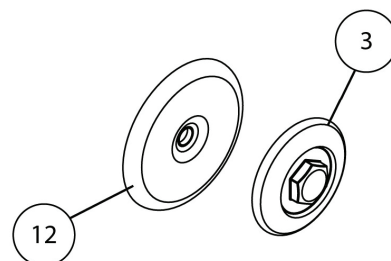
Kits capuchon de gicleur

KIT	Article	Description	Matériau de construction	Qté
KITS05FCP	4B	Capuchon	Polypropylène	1
KITS05FCD	4B	Capuchon	Acétal raccordable à la terre	1
KITS05FCF	4B	Capuchon	PVDF	1



Écrou et rondelle de rechange

KIT	Article	Description	Matériau de construction	Qté
KITS05NWP	3	Écrou de membrane 1/2 po	Polypropylène	1
	12	Rondelle de retenue	Acier inoxydable	1
KITS05NWD	3	Écrou de membrane 1/2 po	Acétal raccordable à la terre	1
	12	Rondelle de retenue	Acier ordinaire	1
KITS05NWF	3	Écrou de membrane 1/2 po	PVDF	1
	12	Rondelle de retenue	Acier inoxydable	1



Article	Spécification de serrage
4A	75 Nm (55 pi-lb)
4C/6B	11 Nm (100 po-lb)
13	2,3 Nm (20 po-lb)
3	11 Nm (100 po-lb)

* KITS05WCH (voir page 12)

Intervention sur membrane de pompe

Outils nécessaires recommandés pour démontage et intervention :

- Clé pour intervention (fournie dans le colis contenant le manuel d'utilisation). Utilisez une clé dynamométrique de 3/8 po pour serrer les bagues selon les spécifications.
- Douille ou clé de 7/8 po.
- Douille ou clé de 3/8 po.
- Tournevis à pointe cruciforme.
- Outil pour retirer les joints toriques.

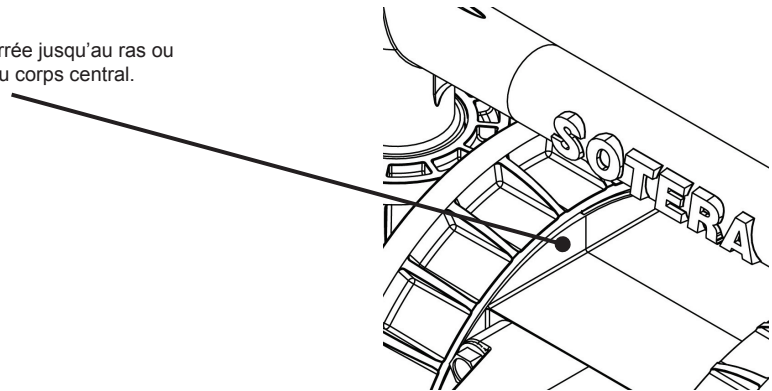
Démontage de la section fluide

- Desserrez les bagues de retenue de capuchon de gicleur pour qu'elles tournent librement. Utilisez la clé pour intervention. Positionnez les dents contre la bague et tirez contre le collecteur de sortie.
- Retirez le manifold de sortie (6A) en dévissant les deux colliers (6B). Utilisez la clé pour intervention et la clé dynamométrique.
- Retirez les sièges (40) et les billes (30) du manifold de sortie.
- Retirez le manifold d'entrée (5) en dévissant les deux colliers (4C). Utilisez la clé pour intervention et la clé dynamométrique.
- Retirez les sièges (40) et les billes (30) des capuchons de gicleur (4).
- Retirez un seul ensemble capuchon de gicleur (4) en dévissant la bague de retenue (4A). Utilisez la clé pour intervention et la clé dynamométrique. Ils doivent pivoter librement à la main (déjà desserré selon la note n° 1).
- Retirez un second ensemble capuchon de gicleur (4) en dévissant la bague de retenue (4A). Utilisez la clé pour intervention et la clé dynamométrique, en répétant comme noté au point n° 6.
- Retirez l'écrou de membrane (3), la membrane (20) et la rondelle de retenue (12) (utilisez une douille ou une clé de 7/8 po).
- Retirez la tige de membrane (10) avec la seconde membrane, l'écrou de membrane et la rondelle de retenue du corps central.
- Retirez l'écrou de la seconde membrane, la membrane et la rondelle de retenue de la tige de membrane en protégeant le revêtement de surface de la tige (utilisez une douille ou clé de 7/8 po).

Remontage de la section fluide

- Remontez dans l'ordre inverse (REMARQUE : prenez note des guide de montage sur les capuchons de gicleur et le corps central pour assurer leur bon alignement).
- Lubrifiez la tige de membrane avant de la poser (utilisez LUBRIPLATE® Super FML-2 qui est fourni).
- Quand vous remplacez des membranes PTFE, assurez-vous de positionner l'appui bleu de membrane vers le corps central et le PTFE vers le capuchon de gicleur.
- Observez les spécifications de serrage indiquées pour toutes les attaches et bagues (tableau de spécifications de serrage en page 8). Utilisez une clé pour intervention ou dynamométrique et serrez selon les spécifications.
- Lors de l'assemblage des capuchons de gicleur au corps central, l'étanchéité s'obtient en tournant de 90 à 110 degrés depuis le point de contact avec le bourrelet de membrane. Les bagues doivent être au ras (ou légèrement au-delà) des parois intérieures du corps central pour assurer une étanchéité suffisante (voir l'illustration ci-dessous). **Les spécifications de couple de serrage sont listées en page 8.**

- La bague doit être serrée jusqu'au ras ou légèrement au-delà du corps central.



Démontage de la section air

- Dévissez et retirez les vis à tête de bride (13) (à l'aide d'une douille de 3/8 po).
- Retirez le bloc de soupapes (2) de la pompe.
- Retirez les soupapes en céramique (7) de la pompe.
- Retirez le joint statique de guide de valve majeure (8) de la pompe.
- Retirez le joint statique de guide du clapet-pilote (9) du bloc de soupapes (2).
- Retirez le collier (2G) du bloc de soupapes. Utilisez la clé pour intervention.
- Retirez les composants du bloc de soupapes. Séparez le joint torique (2E) du bouchon (2F). Séparez les rondelles (2B et 2D) du tiroir cylindrique (2C). Prenez soigneusement note de la direction des lèvres des rondelles à lèvre : elles doivent être remontées correctement pour que la section air fonctionne correctement.
- Démontez la section fluide selon les instructions ci-dessus.
- Retirez les vis (1C), les retenues de joint (1B), les rondelles (1A) et les joints toriques (1D) de chaque côté du corps central (1). Prenez soigneusement note de la direction des lèvres des rondelles à lèvre : elles doivent être remontées correctement pour que la section air fonctionne correctement.

Remontage de la section air

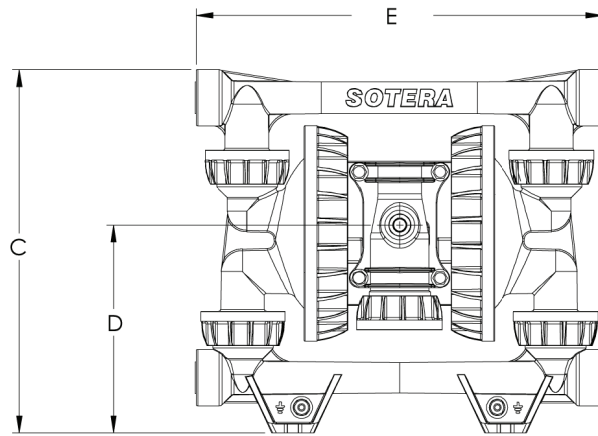
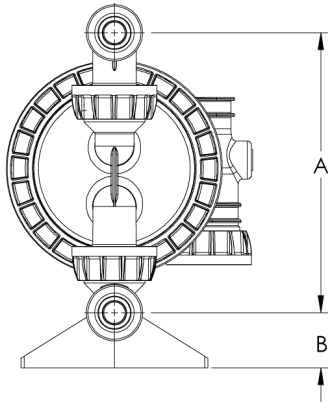
- Remontez dans l'ordre inverse.
- Lubrifiez tous les joints coulissants avant de les poser (utilisez LUBRIPLATE® Super FML-2 qui est fourni).
- **Observez les spécifications de serrage indiquées pour toutes les attaches (tableau de spécifications de serrage en page 8). Utilisez une clé pour intervention ou dynamométrique et serrez selon les spécifications.**

Dépannage

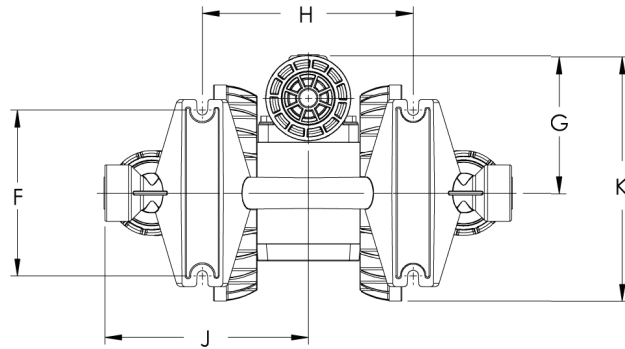
Symptôme	Cause probable	Réparation
Fluide refoulé de la sortie d'évacuation	• Rupture de membrane (20)	• Remplacez la membrane (20)
	• Écrou de membrane desserré (4A)	• Resserrez l'écrou de membrane desserré (4A)
Bulles d'air dans le fluide évacué	• Fuite de canalisation côté aspiration	• Vérifiez les raccords de la canalisation d'aspiration
	• Fuite au niveau du collier d'entrée (4C)	• Vérifiez le serrage du collier d'entrée (4C)
	• Fuite au niveau de l'écrou de membrane (4A)	• Vérifiez le serrage de l'écrou de membrane (4A)
Le moteur souffle de l'air sortant de l'évacuation principale quand il cale, quel que soit le coup.	• Rondelles à lèvres insérées incorrectement, endommagées ou manquantes.	• Vérifiez les rondelles à lèvres (2B et 2D) sur le tiroir cylindrique de valve majeure.
	• Valves céramique endommagées ou contaminées par des débris (7).	• Vérifiez que les valves céramique (7) n'aient pas de débris ou ne soient pas endommagées.
	• Clapet-pilote mal orienté.	• Assurez-vous de monter le clapet-pilote dans la bonne direction selon le schéma qui se trouve dans le corps central.
Volume de sortie de fluide faible.	• Alimentation en air faible ou bloquée.	• Vérifiez l'alimentation d'air.
	• Blocage de canalisation de sortie.	• Vérifiez qu'il n'y ait aucune obstruction dans la canalisation de sortie.
	• La pompe n'est pas amorcée.	• La pompe doit être montée verticalement pour vérifier qu'elle fonctionne normalement.
	• Le tube d'aspiration est trop petit ou le tuyau d'aspiration n'est pas rigide (peut se plier ou s'écraser).	• Vérifiez la cavitation de la pompe - le tuyau d'aspiration doit avoir un diamètre au moins aussi grand que le diamètre du filetage d'entrée. Le tuyau d'aspiration doit être rigide ou non pliable.
	• Fuite dans la canalisation d'aspiration d'entrée.	• Vérifiez toutes les canalisations d'entrée pour d'éventuelles fuites d'aspiration.
	• Pompe bloquée à l'intérieur par des débris.	• Inspectez la pompe pour d'éventuels débris pouvant bloquer le débit interne ou des encrassements.

REMARQUES

Informations dimensionnelles



Dimension	Pouces	Syst. métr.
A	8,245 po	209,42 mm
B	1,625 po	41,28 mm
C	10,70 po	271,78 mm
D	6,123 po	155,524 mm
E	12,000 po	304,80 mm
F	4,875 po	123,825 mm
G	4,031 po	102,387 mm
H	6,250 po	158,75 mm
J	6,000 po	152,40 mm
K	7,206 po	183,032 mm



Accessoires

Les accessoires suivants sont disponibles pour personnaliser votre pompe à membrane pneumatique SP100. Contactez votre représentant Sotera si vous avez des questions, ou bien si vous souhaitez commander des accessoires de la liste ci-dessous.

N° référence	Accessoire	Description
KITS05WMA	Support de fixation mural	Support acier inoxydable pour fixation murale de la pompe à membrane pneumatique SP100
KITS05FRH	Kit filtre/régulateur	Filtre, régulateur et tuyau de conduite d'air
KITS05MUF	Silencieux	Silencieux pour évacuation d'air
KITS05WCH	Clé de montage	Outil spécial d'intervention pour utilisation sur manifold et bagues de retenue de fluide (4A et 4C sur schéma page 5).
KIT180MAMPS	Plaque pour réservoir portatif (pour réservoir portatif IBC)	Plaque, attaches pour réservoir portatif

Conformité réglementaire

La pompe à membrane pneumatique 1/2 po SP100 de Sotera a été testée et elle est conforme aux normes strictes de certification par les organismes de réglementation suivants.*



Les modèles en polypropylène (non conducteurs) sont conformes aux normes européennes :

- Directive Machines 2006/42/EC
- Sécurité des machines, BS EN ISO 12100:2010 – Principes généraux de conception – Évaluation des risques et réduction des risques
- BS EN 809:1998 – Pompes et unités de pompes pour liquides – Exigences communes en matière de sécurité.



Modèles destinés aux **AT**mosphères **EX**plosibles (**ATEX**) et conformes aux normes européennes :

- 94/9/CE - Directive sur le matériel destiné à être utilisé en atmosphères explosibles.
- EN 13463 - 1 - Appareils non électriques destinés à être utilisés en atmosphères explosibles : Partie 1 : prescriptions et méthodologie.
- EN 13463 - 5 - Appareils non électriques destinés à être utilisés en atmosphères explosibles : Partie 5 : protection par sécurité de construction "c".



*Consultez les informations réglementaires imprimées sur le dessus du corps de pompe concernant les conformités spécifiques de la pompe.

Visitez notre site Web :

www.sotera.com

Apprenez-en davantage sur Tuthill Corporation et sur notre famille de produits de qualité supérieure et d'un excellent rapport qualité-prix en visitant le site :

www.tuthill.com

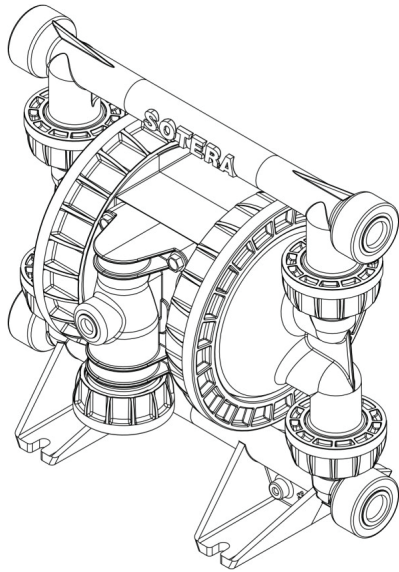
SOTERATM

SYSTEMS

Sotera Systems
8825 Aviation Drive
Fort Wayne, IN 46809
1-800-634-2695
1-260-747-7524

1/2 Zoll Druckluft-Membranpumpe

Modell SP100-05X-XX-XXX-X
1:1 Übersetzungsverhältnis (nichtmetallisch)
Einbau- und Betriebsanleitung



Technische Daten der Pumpe

Pumpentyp: Nichtmetallische Druckluft-Doppelmembranpumpe
Modelle: Siehe Tabelle der Modellbeschreibungen für „-XXX“
Werkstoffe: Siehe Tabellen der Modellbeschreibungen
Gewicht: Hängt von den Werkstoffen ab
Maximaler Lufteinlassdruck: 6,9 bar (100 psig)
Maximaler Medieneinlassdruck: 0,69 bar (10 psig)
Maximaler Auslassdruck: 6,9 bar (100 psig)
Luftverbrauch bei 40 psi: 0,005 m³/min/L (0,65 cfm/gal) (ca.)
Luftanschluss: 1/4 Zoll NPT
Maximale Fördermenge (gefluteter Einlass): 66,23 l/min (17,5 gal/min)
Verdrängung/Zyklus bei 100 psig: 0,14 l (0,036 gal)
Maximale Teilchengröße: 2,4 mm DM (3/32 Zoll)
Maximale Temperaturgrenzen:
 Acetal.....-12 bis 82 °C (10 bis 180 °F)
 HYTREL®.....-29 bis 66 °C (-20 bis 150 °F)
 PVDF.....-12 bis 93 °C (10 bis 200 °F)
 Polypropylen.....-2 bis 79 °C (35 bis 175 °F)
 Santoprene®.....-40 bis 107 °C (-40 bis 225 °F)
 PTFE.....-4 bis 107 °C (40 bis 225 °F)
Kartonabmessungen:298 (H) x 362 (B) x 232 mm (T)
 [11-3/4 (H) x 14-1/4 (B) x 9-1/8 Zoll (T)]

Gewicht:

Pumpenwerkstoff	Pumpen- gewicht US-lbs	Pumpen- gewicht kg	Versand- gewicht US-lbs	Versand- gewicht kg
Polypropylen	5,7	2,6	7,2	3,3
PVDF	7,2	3,3	8,7	4,0
Acetal, für Masseanschluss geeignet	6,8	3,1	8,3	3,8

Lärmpegel: 72,6 db (bei 70 psi, 60 cpm)

⚠ VORSICHT Diese Anleitung muss **VOR** dem Einbau, Betrieb oder der Wartung dieses Geräts sorgfältig und komplett gelesen werden. Diese Anleitung ist als Nachschlagewerk aufzubewahren.

Modellbeschreibung

SP100-05X-XX-XXX-X

ANSCHLUSSGRÖSSE

FLÜSSIGKEITSANSCHLUSS

N - 1/2-14 NPTF-1
B - Rp 1/2 (BSPP)

WERKSTOFF – ANTRIEB

P - POLYPROPYLEN
C - FÜR MASSEANSCHLUSS GEEIGNETES NYLON

WERKSTOFF – BENETZTE TEILE

P - POLYPROPYLEN
D - FÜR MASSEANSCHLUSS GEEIGNETES ACETAL
F - PVDF

MEMBRAN

S - SANTOPRENE®
H - HYTREL®
T - PTFE MIT SANTOPRENE®-STÜTZPLATTE

KUGELN

S - SANTOPRENE®
H - HYTREL®
T - PTFE
M - EDELSTAHL

SITZE

S - SANTOPRENE®
H - HYTREL®
P - PP (mit PTFE-Dichtring)
F - PVDF (mit PTFE-Dichtring)
D - Acetal (mit PTFE-Dichtring)

OPTIONEN

	KIT			
	S05	X	X	X
FLÜSSIGKEITSABSCHNITT-WARTUNGSSATZ				
MEMBRAN				
KUGELN				
SITZE				

ANMERKUNG: In der Tabelle sind alle möglichen Optionen aufgeführt. Bestimmte Kombinationen sind eventuell jedoch nicht empfehlenswert. Wenden Sie sich an einen Berater oder an das Werk, wenn Sie Fragen zu Lieferbarkeit haben.

Sicherheitsinformationssymbole

⚠ WARNUNG Gefahren oder unsichere Arbeitsweisen, die zu schweren oder tödlichen Verletzungen oder beachtlichen Sachschäden führen können.

⚠ VORSICHT Gefahren oder unsichere Arbeitsweisen, die zu mäßigen Verletzungen, Produkt- oder Sachschäden führen können.

⚠ WICHTIG Wichtige Einbau-, Betriebs- oder Instandhaltungsinformationen.

Betriebs- und Sicherheitsinformationen

⚠️ WARNUNG ZU HOHER LUFTDRUCK. Kann Verletzungen, Pumpenschäden oder Sachschäden verursachen.

- Der auf der Pumpe angegebene maximale Einlassdruck darf nicht überschritten werden.
- Sicherstellen, dass die Mediensläuche und anderen Komponenten dem von dieser Pumpe erzeugten Flüssigkeitsdruck standhalten können. Alle Schläuche auf Schäden und Verschleiß prüfen. Sicherstellen, dass das Dispensgerät sauber ist und vorschriftsmäßig funktioniert.

⚠️ WARNUNG EXPLOSIONSGEFAHR. Das Pumpen von Flüssigkeiten mit niedrigem Flammpunkt kann Verletzungen, Pumpenschäden oder Sachschäden verursachen.

⚠️ WARNUNG STATISCHE FUNKEN. Können Explosionen auslösen, die zu schweren oder tödlichen Verletzungen führen. Die Pumpe und das Pumpensystem erden.

- **Pumpen aus für Masseanschluss geeignetem Acetal:** Die vorgesehene Pumpenmasseöse verwenden. An einen Draht mit einem Minimaldurchmesser von AWG 12 (Satz mitgeliefert) und diesen an eine gute Massestelle anschließen (Details sind auf Seite 4 aufgeführt).
- Funken können brennbare Stoffe und Dämpfe entzünden.
- Das Pumpensystem und der besprühte Gegenstand müssen geerdet sein, wenn brennbare Stoffe wie Farben, Lösungsmittel, Lacke usw. gepumpt, gespült, umgewälzt oder gesprüht werden, oder wenn diese Stoffe an einem Ort verwendet werden, an dem die Atmosphäre eine spontane Entzündung ermöglicht. Dispensventil oder -gerät, Behälter, Schläuche und alle Gegenstände, an die das Medium gepumpt wird, erden.
- Pumpe, Anschlüsse und alle Kontaktstellen sichern, um Vibrationen und die Entstehung von Kontaktfunken oder statischen Funken zu vermeiden.
- In der Bauordnung und Elektrikvorschriften spezielle Erdungsanforderungen nachschlagen.
- Nach der Erdung muss der Stromdurchgang zur Massestelle in regelmäßigen Abständen geprüft werden. Von jeder Komponente (z. B. Schläuche, Pumpe, Schellen, Behälter, Sprühpistole usw.) mit einem Ohmmeter zur Massestelle prüfen, um Stromdurchgang sicherzustellen. Das Ohmmeter sollte maximal 0,1 Ohm anzeigen.
- Wenn möglich das Ende des Auslassschlauchs, Dispensventil oder -geräts in das abzugebende Medium eintauchen. (Freie Strömung des abgegebenen Mediums vermeiden.)
- Schläuche mit einem integrierten Statikdraht verwenden.
- Für angemessene Entlüftung sorgen.
- Entflammbare Stoffe/Gegenstände von Hitze, offenen Flammen und Funken fernhalten.
- Behälter bei Nichtgebrauch verschlossen halten.

⚠️ WARNUNG PUMPENABLUF KANN SCHADSTOFFE ENTHALTEN. Diese können schwere Verletzungen verursachen. Abluft aus dem Arbeitsbereich und von Personal weg abführen.

- Sollte eine Membran bersten, kann Medium aus dem Abluftschalldämpfer geschleudert werden.
- Die Abluft an einen sicheren Ort abführen, wenn gefährliche oder entzündliche Medien gepumpt werden.
- Einen geerdeten Schlauch mit einem Mindestinnendurchmesser von 9,5 mm (3/8 Zoll) zwischen Pumpe und Schalldämpfer verwenden.

⚠️ WARNUNG GEFÄHRLICHER DRUCK. Kann schwere Verletzungen oder Sachschäden verursachen. Pumpe, Schläuche oder Dispensventil nicht instandhalten oder reinigen, wenn das System unter Druck steht.

- Die Luftversorgungsleitung abtrennen und den Druck im System abbauen, indem das Dispensventil oder -gerät geöffnet und/oder der Auslassschlauch bzw. die Auslassleitung behutsam und langsam von der Pumpe gelöst wird.

⚠️ WARNUNG GEFÄHRLICHE MEDIEN. Können schwere Verletzungen oder Sachschäden verursachen. Eine Pumpe, die Gefahrenstoffe enthält, darf nicht an das Werk oder ein Servicecenter zurückgeschickt werden. Sichere Handhabungsverfahren müssen lokale und nationale Gesetze und Sicherheitsvorschriften erfüllen.

- Vom Lieferanten sind Materialdatenblätter für alle Medien zu beschaffen, damit die vorgeschriebenen Handhabungsanweisungen befolgt werden können.

⚠️ WARNUNG EXPLOSIONSGEFAHR. Modelle mit Aluminiumteilen dürfen mit 1,1,1-trichloroethan, Methylenchlorid oder anderen halogenierten Kohlenwasserstoff-Lösungsmitteln nicht verwendet werden, da sie reagieren und explodieren könnten.

- Den Druckluftantrieb, die Flüssigkeitskappen, Verteiler und alle benetzten Teile prüfen, um deren Verträglichkeit mit dieser Sorte von Lösungsmitteln sicherzustellen.

⚠️ VORSICHT Die chemische Verträglichkeit der benetzten Pumpenteile und des gepumpten, gespülten oder umgewälzten Mediums sicherstellen. Die chemische Verträglichkeit kann sich abhängig von Temperatur und Konzentration der Chemikalie(n) im gepumpten, gespülten oder umgewälzten Medium ändern. Für spezielle Flüssigkeitsverträglichkeit beim Chemikalienhersteller nachfragen.

⚠️ VORSICHT Die Maximaltemperaturen basieren nur auf mechanischen Belastungen. Bestimmte Chemikalien verringern die maximale sichere Betriebstemperatur beachtlich. Die chemische Verträglichkeit und Temperaturgrenzwerte beim Chemikalienhersteller nachfragen.

⚠️ VORSICHT Sicherstellen, dass das gesamte Bedienungspersonal dieses Geräts in sichere Arbeitspraktiken eingewiesen wurde, mit den Einsatzmöglichkeiten dieses Geräts vertraut ist und nach Bedarf Sicherheitsbrille/Sicherheitsausrüstung trägt.

⚠️ VORSICHT Die Pumpe nicht als Träger des Rohrleitungssystems verwenden. Darauf achten, dass die Systemkomponenten angemessen abgestützt sind, um Spannungen in den Pumpenteilen zu vermeiden. Saug- und Auslassanschlüsse müssen flexibel sein (Schläuche), dürfen nicht starr verrohrt werden und müssen mit dem gepumpten Medium verträglich sein.

⚠️ VORSICHT Unnotwendige Beschädigung der Pumpe vermeiden. Die Pumpe nicht längere Zeit ohne Medium betreiben.

- Die Druckluftleitung von der Pumpe abtrennen, wenn das System längere Zeit nicht betrieben wird.

Betriebs- und Sicherheitsinformationen (Forts.)

VORSICHT

Nur Original-Sotera-Ersatzteile verwenden, um vertragliche Drucknennwerte und die längstmögliche Standzeit zu gewährleisten.

WICHTIG

Die Pumpe muss in vertikaler (aufrechter) Ausrichtung eingebaut werden. Die Pumpe kann eventuell nicht vorschriftsmäßig vorgefüllt werden, wenn die Kugeln beim Anfahren nicht durch Schwerkraft in ihren Sitzen liegen.

WICHTIG

Alle Befestigungsteile und Ringe vor dem Betrieb erneut festziehen. Kriechen von Gehäuse- und Dichtungswerkstoffen kann zum Lockerwerden von Befestigungsteilen und Ringen führen. Alle Befestigungsteile und Ringe erneut festziehen, um Flüssigkeits- und Luftlecks vorzubeugen (Drehmomentwerte sind auf Seite 8 aufgeführt).

WICHTIG

Die entsprechenden Achtungsaufkleber am Pumpenauslassverteiler anbringen (die Aufkleber werden in vier Sprachen geliefert: Teile-Nr. LB000646-000).

Ersatz-Achtungsaufkleber sind auf Anfrage erhältlich. Ersatzaufkleber können unter Angabe der obigen Teilenummer bestellt werden.

Allgemeine Beschreibung

Die Sotera Membranpumpe bietet höchste Fördermenge auch bei geringem Luftdruck und es sind zahlreiche Werkstoffe erhältlich, um Verträglichkeit mit vielen Medien zu gewährleisten. Das kann in der Modell- und Optionstabelle nachgeschlagen werden. Sotera Pumpen sind mit einem modularen Druckluftmotor und Flüssigkeitsabschnitten ausgerüstet, die abwürgefrei arbeiten.

Druckluft-Doppelmembranpumpen nutzen das Druckdifferential in den Luftkammern, um abwechselnd eine Saug- und Druckwirkung in den Flüssigkeitskammern zu erzeugen. Rückschlagkugeln sorgen für die Flüssigkeitsströmung in eine Richtung.

Der Pumpenschaltvorgang beginnt, sobald Luftdruck beaufschlagt wird. Während des Schaltvorgangs wird der Leitungsdruck aufgebaut und beibehalten. Wenn der maximale Leitungsdruck erreicht wurde, stoppt der Schaltvorgang (Dispensgerät geschlossen). Die Pumpe nimmt den Schaltvorgang nach Bedarf wieder auf (wenn das Dispensgerät geöffnet und geschlossen wird).

Anforderungen an Druckluft und Schmierung

WARNUNG

ZU HOHER LUFTDRUCK Kann Pumpenschäden, Verletzungen oder Sachschäden verursachen.

- In der Luftversorgungsleitung muss ein Filter verwendet werden, der Teilchen mit einer Größe von mindestens 50 µm abscheiden kann. Es ist keine Schmierung erforderlich, ausgenommen das O-Ring-Schmiermittel, das bei der Montage aufgetragen wird.
- Falls geschmierte Druckluft verwendet wird, ist sicherzustellen, dass diese mit den O-Ringen und Dichtungen im Druckluftmotorabschnitt der Pumpe verträglich ist.

Einbauinformationen

WARNUNG

Im System ist eine Schnellverschluss-Kupplung (D) erforderlich, damit Luft zwischen diesem Ventil und der Pumpe abgelassen werden kann. Eingeschlossene Luft kann zu unerwarteten Pumpenschaltvorgängen führen, die schwere Verletzungen, einschließlich Verspritzen von gefährlicher Flüssigkeit in die Augen oder auf die Haut, oder Verunreinigung durch gefährliche Flüssigkeiten verursachen kann.

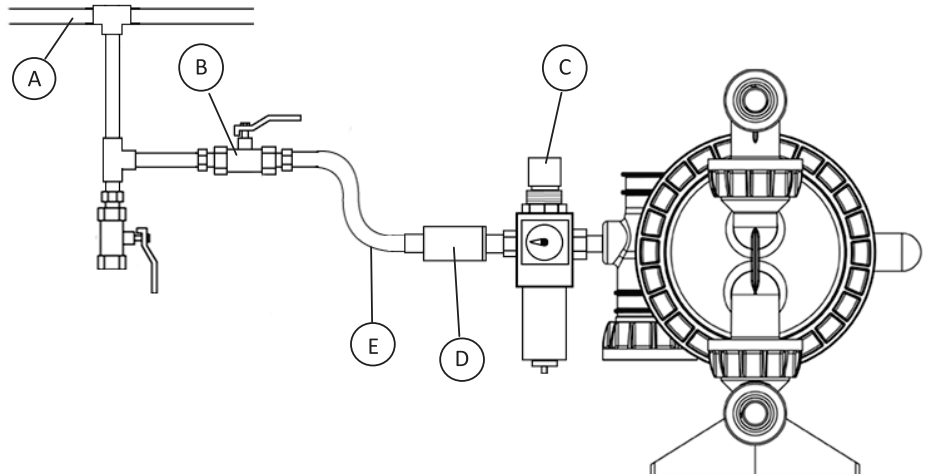
VORSICHT

Die Pumpenabluft kann Schadstoffe enthalten. Sie muss an einen abgelegenen Bereich abgeführt werden, wenn die Schadstoffe die Flüssigkeitsversorgung beeinträchtigen können. Lesen Sie dazu die Informationen unter **Abführen der Abluft** auf Seite 4.

Einbau der Druckluftleitung

Die Druckluftleitungen sind wie unten abgebildet einzubauen. Alle Leitungen und Zubehörteile müssen sicher an der Wand oder an Halterungen montiert werden. Die Verwendung eines Druckreglers ist zwingend vorgeschrieben; Der MAXIMALE LEITUNGSDRUCK BETRÄGT 100 psi (6,9 bar).

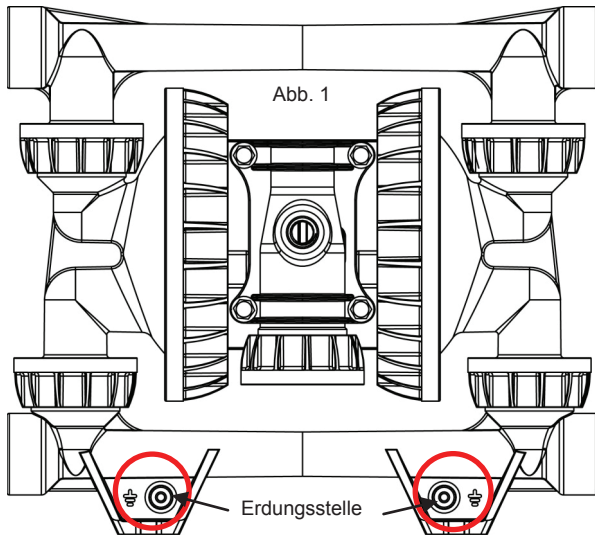
- Die Druckluftversorgung muss wie folgt mit der Pumpe verbunden werden:
 - Starre Druckluftversorgungsleitungen müssen gemäß geltenden Vorschriften (A) verrohrt und an Wandhalterungen oder Halterungen befestigt werden.
 - Es muss ein Druckluft- Absperrventil (B) eingebaut werden, um die Wartung und Instandsetzung der Pumpe zu ermöglichen.
 - Es muss ein Luftfilter/Regler (C) (KITS05FRH) eingebaut werden, der die Luftversorgung zur Pumpe regelt und filtert (die Pumpendrehzahl kann auch mit Hilfe dieser Vorrichtung geregelt werden).
 - Zwischen der Flexleitung und dem Luftregler/Filter muss eine Schnellverschluss-Kupplung (D) eingebaut werden; diese dient zum Abblasen von eingeschlossener Luft bei Wartungsarbeiten.
 - Zwischen dem Absperrventil (B) und dem Luftfilter/Regler (C) muss ein biegsamer Schlauch (E) installiert werden. KEINE starren Druckluftleitungen an die Pumpe anschließen; beim Pumpenbetrieb entstehende Vibrationen könnten die Pumpe und/oder Luftund Flüssigkeitsleitungen beschädigen.



Einbau der Druckluftleitung (Forts.)

Pumpenerdung

⚠️ WARNUNG **BRAND- UND EXPLOSIONSGEFAHR!** Sotera SP100-05X-CD-XXX-X (für Maseanschluss geeignetes Acetal) pumpen müssen für sicheren und vorschriftsmäßigen Betrieb geerdet werden. Vor dem Betrieb der Pumpe ist sicherzustellen, dass diese gemäß Abbildung unten vorschriftsmäßig geerdet ist. Die Achtungshinweise hinsichtlich Erdung und Brandgefahr bei Funken auf Seite 2 müssen gründlich gelesen werden. Eine unsachgemäß geerdete Pumpe stellt eine Brandgefahr dar.



Die SP100 Pumpe kann durch die Montagefüße am Einlassverteiler (Abb. 1) geerdet werden. Zur Verringerung des Risikos statischer Funken müssen die Pumpe und alle anderen Ausrüstungen im Bereich des Pumpsystems geerdet sein. Massedrähte müssen ausreichenden Durchmesser haben und gemäß lokalen und nationalen Elektrikvorschriften installiert werden.

Es darf niemals Polypropylen oder PVDF mit nicht elektrisch leitfähigen brennbaren Flüssigkeiten verwendet werden, die in den lokalen Brandschutzvorschriften genannt sind. Wenden Sie sich an den Flüssigkeitslieferanten, um die Leitfähigkeit oder den elektrischen Widerstand der Flüssigkeit in Erfahrung zu bringen.

Bei statischen Funken oder wenn bei Betrieb dieses Geräts ein elektrischer Funke spürbar ist, **die Pumpe unverzüglich abstellen! Die Ausrüstung NICHT verwenden, bevor das Problem ermittelt und behoben wurde.**

Wenn eine elektrisch leitfähige Pumpe (Acetal) verwendet wird, müssen auch elektrisch leitfähige Schläuche verwendet werden. Wenn eine nicht elektrisch leitfähige Pumpe verwendet wird, muss das Flüssigkeitssystem geerdet werden.

Der Einbau muss unter Berücksichtigung einer angemessenen Abluftabführung geplant werden. Es ist entscheidend, dass für ausreichende Frischluftzufuhr gesorgt wird, um die Ansammlung entzündlicher, explosiver oder toxischer Dämpfe aus der gepumpten Flüssigkeit zu vermeiden.

Den Bereich um die Pumpe sauber und frei von Rückständen, einschließlich Lappen, Lösungsmittel und Benzin, halten. In der Nähe des Arbeitsbereichs dürfen keine Zündflammen oder offene Flammen vorhanden sein; einen Feuerlöscher griffbereit halten.

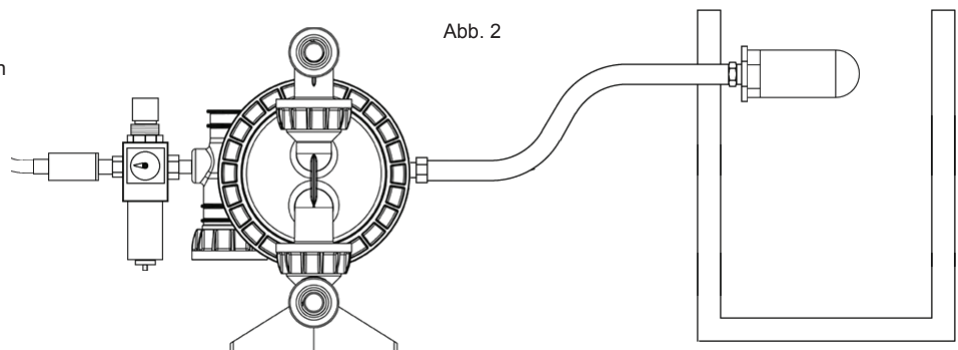
Abführen der Abluft

Bei einem Membranausfall wird die Flüssigkeit mit der Luft in den Auslass gepumpt. Beim Pumpen von ätzenden, explosiven oder entzündlichen Stoffen können diese mit der Abluft ausdringen.

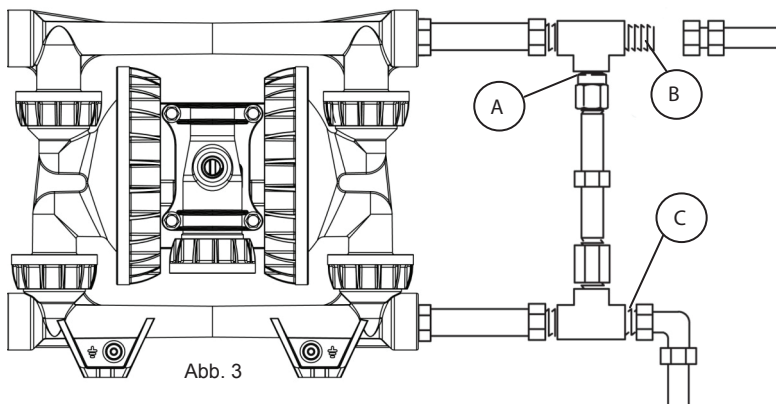
Die Abluft von der Pumpe muss vorschriftsmäßig abgeführt werden, um sicheren Betrieb zu gewährleisten. Die Abluft muss an einen sicheren Ort abgeführt werden, abseits von Personen, Tieren oder Bereichen zur Zubereitung von Nahrungsmitteln. Sie muss auch von möglichen Zündquellen entfernt abgeführt werden.

Es ist auch wichtig, dass die Öffnung der Abzugsleitung in einen entsprechenden Behälter geführt wird, der eventuell austretende Flüssigkeit aufnehmen kann (Abb. 2).

Einen elektrisch leitfähigen Abluftschlauch anbringen und den Schalldämpfer am Ende aufsetzen. Der Mindestinnendurchmesser des Schlauchs beträgt 9,5 mm (3/8 Zoll). Falls der Schlauch länger als 4,5 m ist, muss ein größerer Schlauchdurchmesser vorgesehen werden. Beim Verlegen des Schlauchs darauf achten, dass keine Knicke und scharfe Biegungen vorhanden sind, die die Luftströmung blockieren könnten.



Flüssigkeitsdruck-Entlastungsventil



Bei einigen Systemen muss eventuell im Pumpenauslass ein Druckentlastungsventil eingebaut werden, um zu hohen Druck und ein mögliches Bersten der Pumpe oder des Schlauchs zu vermeiden (Abb. 3).

Thermische Expansion der Flüssigkeit in der Auslassleitung kann zu überhöhtem Druck führen, auch wenn die Pumpe nicht in Betrieb ist. Thermische Expansion kann auftreten, wenn Flüssigkeitsleitungen, Flüssigkeitslagerbehälter und Pumpen Sonnenlicht oder Umgebungshitze ausgesetzt werden. Sie kann auch auftreten, wenn Flüssigkeit aus einem kühlen Bereich (beispielsweise unterirdische Tanks) in einen warmen Bereich gepumpt wird.

- A) Zwischen Einlass- und Auslassanschlüssen ist ein Rückschlagventil einzubauen.
- B) Den Flüssigkeitsauslass hier anschließen.
- C) Den Flüssigkeitseinlass hier anschließen.
- D) **NIEMALS** ein Fußventil in eine Saugleitung einbauen!

Einbau der Druckluftleitung (Forts.)

Verfahren zum Druckabbau

⚠️ WARNUNG ACHTUNG! ANLAGEN UNTER DRUCK SIND GEFÄHRLICH! Die Sotera Pumpe und das System, in der sie eingebaut ist, stehen solange unter Druck, bis dieser manuell abgebaut wird. Falls beim Öffnen oder Betrieb des Systems angemessene Sicherheitsmaßnahmen nicht beachtet werden, entsteht das Risiko schwerer Verletzungen durch Flüssigkeit unter Druck, versehentliches Verspritzen oder Austreten der Flüssigkeit. Zur Minimierung des Risikos ist das folgende Verfahren bei diesen Aufgaben immer zu befolgen:

- Abbauen von Druck
- Stoppen der Pumpe
- Reinigen, Wartung oder Prüfen von Teilen des Systems oder der Pumpe
- Einbau oder Reinigen der Flüssigkeitssprühdüsen

Zum sicheren Abbau des Drucks sind folgende Aufgaben extrem wichtig:

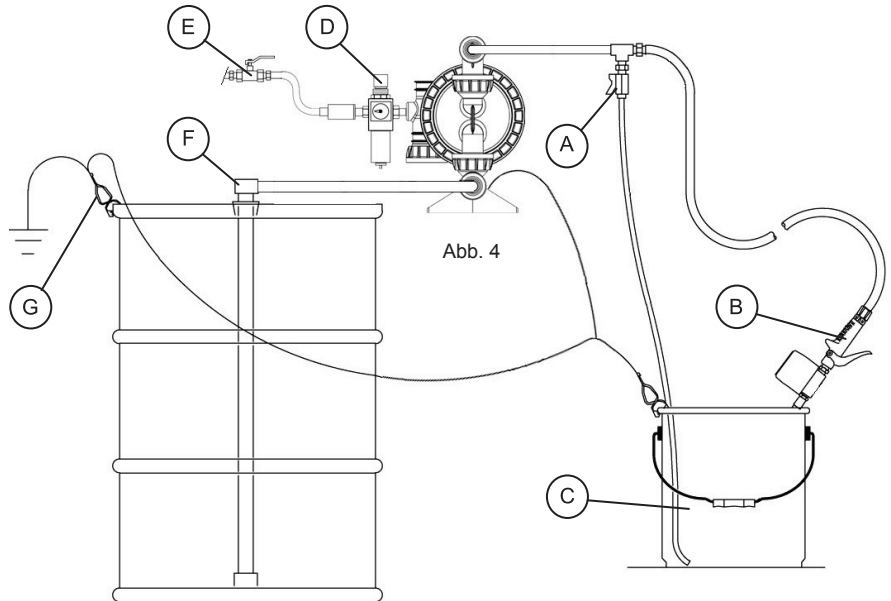
- Abschalten der Druckluftversorgung zur Pumpe
- Öffnen des Dispensventils (falls vorhanden)
- Öffnen des Flüssigkeitsauslasses, damit der gesamte Flüssigkeitsdruck im System abgebaut werden kann (einen Behälter unter den Flüssigkeitsauslass stellen, um alle auslaufende Flüssigkeit aufzufangen; vorsichtig arbeiten, da Restdruck im System Flüssigkeit abrupt aus dem Auslass drücken kann).

Vorbereitung für den ersten Einsatz und die anfängliche Inbetriebnahme

Die Sotera AOD-Pumpe wurde im Rahmen der Produktion im Werk mit Wasser getestet. Die Pumpe wird am Ende des Tests entleert. Es können jedoch Wasserrückstände in der Pumpe verbleiben. Daher muss die Pumpe vor dem ersten Einsatz gründlich mit einem verträglichen Lösungsmittel gespült werden.

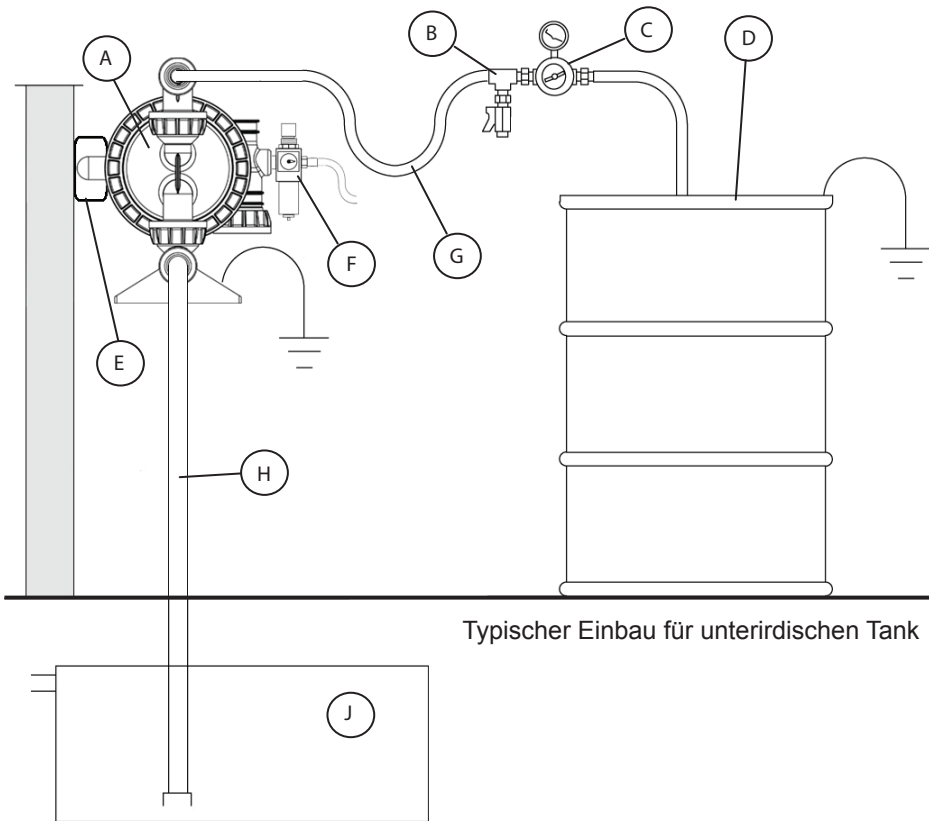
Vor der Inbetriebnahme müssen alle Informationen unter **WARNUNG** und **VORSICHT** auf Seite 2 gelesen werden, um sicherzustellen, dass die Pumpe betriebsbereit ist. Alle Befestigungsteile und Ringe vor der Inbetriebnahme noch einmal festziehen, um gute Flüssigkeitsabdichtung zu gewährleisten. Der richtige Drehmomentwert ist für optimale Dichtwirkung entscheidend; Befestigungsteile und Ringe **NICHT** zu fest anziehen (die Drehmomentwerte sind auf Seite 8 zu finden). Sicherstellen, dass System und Pumpe nach Bedarf geerdet (G) sind. Sicherstellen, dass die Pumpe sicher an einer stabilen Fläche montiert ist und dass das System so verrohrt ist, dass Stöße und Vibrationen aufgenommen werden (siehe Einbauinformationen auf Seiten 3, 4 und 6).

- Den Saugschlauch (F) (falls verwendet) in den Flüssigkeitsbehälter einsetzen. (**HINWEIS:** Wenn der Einlassflüssigkeitsdruck größer als 25 % des Auslassarbeitsdrucks ist, schließen sich die Rückschlagkugeln nicht ausreichend schnell und die Pumpe wird nicht effizient arbeiten.)
- Das Ende der Flüssigkeitsauslassleitung (B) in einen geeigneten Behälter (C) verlegen, um abgegebene Flüssigkeit aufzufangen.
- Das Flüssigkeitsablassventil (A) schließen.
- Wenn der Druckluftregler (D) komplett geschlossen ist, alle Entlüftungsventile (E) öffnen.
- Wenn das System ein Flüssigkeits-Dispensgerät (B) verwendet, dieses geöffnet halten während der Druckluftregler (D) **langsam** geöffnet wird, bis die Pumpe zu schalten beginnt. Die Pumpe sollte solange langsame Schaltvorgänge durchführen, bis die Luft aus den Flüssigkeitsleitungen verdrängt wurde. Die Pumpe ist nun vorgefüllt und betriebsbereit.
- **HINWEIS:** Beim Spülen der Pumpe darauf achten, dass sie ausreichend lang läuft, um Pumpe, Leitungen, Schläuche und Dispenser komplett zu spülen.



⚠️ WARNUNG ACHTUNG! KORREKTES ABSCHALTEN DER PUMPE! Die Lebensdauer der Membrane und Dichtung kann verkürzt werden, wenn während langer Nichtverwendung der Pumpe Luftdruck auf den Pumpenmotor beaufschlagt wird. Es ist ein 3-Wege-Magnetventil einzubauen, das den Druck am Druckluftmotor nach Abschluss eines Zählzyklus automatisch abbaut, um diese Belastung zu verhindern.

Einbau der Flüssigkeitsleitung



Typischer Einbau für unterirdischen Tank

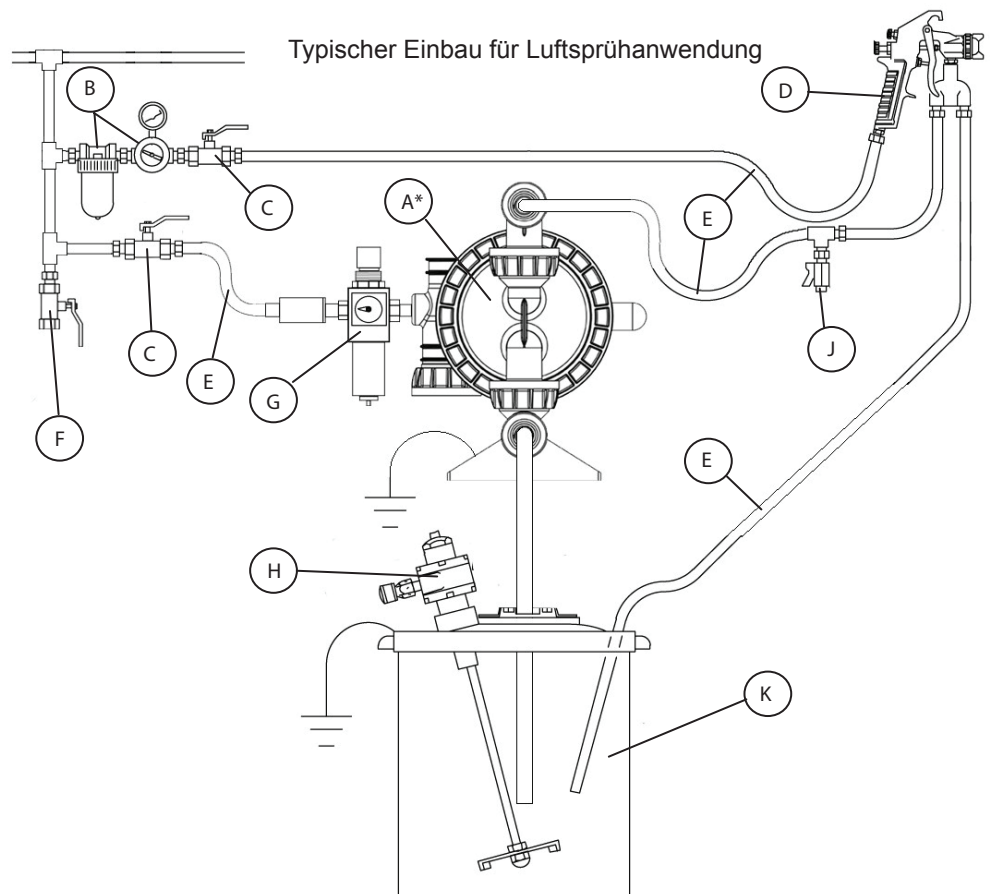
HINWEIS: Pumpe (A) und Flüssigkeitstank/Trommel/Fass (D) müssen wie abgebildet geerdet werden.

- A) SP100
- B) Flüssigkeitsablassventil (empfohlen)
- C) Flüssigkeitsregler (optional)
- D) Flüssigkeitstank/Trommel/Fass
- E) Wandmontagehalterung (KITS05WMA)
- F) Luftfilterregler (erforderlich: siehe Informationen zum Einbau der Luftleitung auf Seite 3)
- G) Biegsamer Schlauch (Auslassseite)
- H) Saugrohr
- J) Unterirdischer Tank

Typischer Einbau für Luftsprühanwendung

HINWEIS: Pumpe (A) und Flüssigkeitstank (K) müssen geerdet werden.

- A) SP100 Pumpe*
- B) Druckleitung-Zubehör (Druckluft gemäß Herstellerangaben mit Sprühpistole verbinden)
- C) Druckluft-Absperrventil
- D) Sprühpistole
- E) Biegsamer Druckluft- u. Flüssigkeitsschlauch
- F) Druckluft-Hauptventil (zum Ablassen von Luft/Flüssigkeit)
- G) Luftfilterregler (erforderlich: siehe Informationen zum Einbau der Luftleitung auf Seite 3)
- H) Rührwerk
- J) Flüssigkeitsablassventil (empfohlen)
- K) 19 l Eimer



*HINWEIS: Die Pumpe mit Halterungen und Befestigungsteilen, die für die Anwendung geeignet sind, sicher an einer stabilen Montagefläche befestigen.

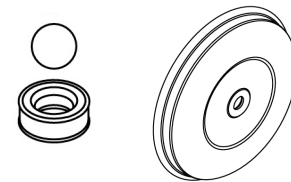
Sätze und Ersatzteile

KITS05SSS Flüssigkeitsabschnitt-Satz

Teil	Beschreibung	Menge
20	Membrane, Santoprene®	2
30	Kugel, Santoprene®	4
40	Sitz, Santoprene®	4

KITS05HHH Flüssigkeitsabschnitt-Satz HYTREL®

Teil	Beschreibung	Menge
20	Membrane, HYTREL®	2
30	Kugel, HYTREL®	4
40	Sitz, HYTREL®	4



KITS05TTP Flüssigkeitsabschnitt-Satz PTFE, PP

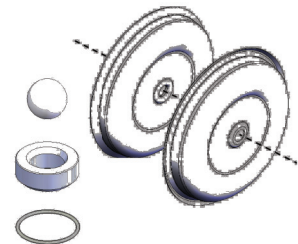
Teil	Beschreibung	Menge
*	Membranstützplatte	2
*	O-ring, PTFE	4
20	Membrane, PTFE	2
30	Kugel, PTFE	4
40	Sitz, Polypropylene	4

KITS05TTF Flüssigkeitsabschnitt-Satz PTFE, PVDF

Teil	Beschreibung	Menge
*	Membranstützplatte	2
*	O-ring, PTFE	4
20	Membrane, PTFE	2
30	Kugel, PTFE	4
40	Sitz, PVDF	4

KITS05TTD Flüssigkeitsabschnitt-Satz PTFE, ACETAL

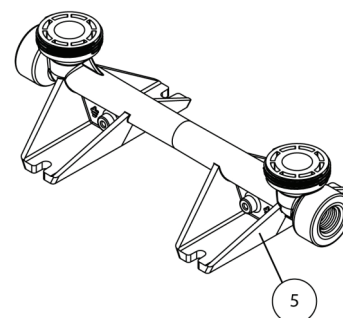
Teil	Beschreibung	Menge
*	Membranstützplatte	2
*	O-ring, PTFE	4
20	Membrane, PTFE	2
30	Kugel, PTFE	4
40	Sitz, Acetal	4



* Teil nicht numeriert/abgebildet

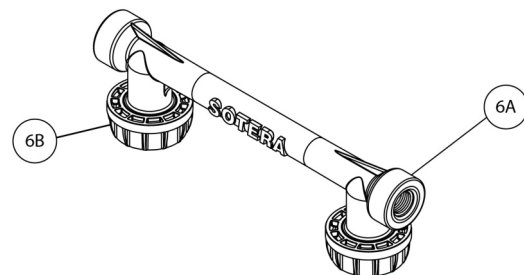
Einlasssätze

SATZ	Teil	Beschreibung	Werkstoff	Menge
KITS05NIP	5	Einlass	Polypropylen	1
KITS05NID	5	Einlass	Actetal, für Masseanschluss geeignet	1
KITS05NIF	5	Einlass	PVDF	1
KITS05BIP	5	Einlass	Polypropylen BSPP	1
KITS05BID	5	Einlass	Für Masseanschluss geeignetes Acetal BSPP	1
KITS05BIF	5	Einlass	PVDF BSPP	1



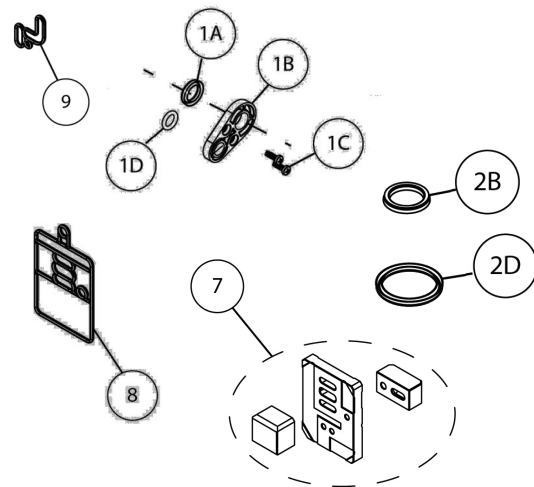
Auslasssätze

SATZ	Teil	Beschreibung	Werkstoff	Menge
KITS05NOP	6	Auslass	Polypropylen	1
KITS05NOD	6	Auslass	Actetal, für Masseanschluss geeignet	1
KITS05NOF	6	Auslass	PVDF	1
KITS05BOP	6	Auslass	Polypropylene BSPP	1
KITS05BOD	6	Auslass	Für Masseanschluss geeignetes Acetal BSPP	1
KITS05BOF	6	Auslass	PVDF BSPP	1



KITS05AVA Luftventilbaugruppen-Satz

Teil	Beschreibung	Menge
1A	Nutring, Buna-N, 1/2 x 3/4 x 1/8 Zoll **	2
1D	O-ring, Buna-N, 2 - 110	2
2B	Nutring, Buna-N, 3/4 x 1 x 1/8 Zoll **	1
2D	Nutring, Buna-N, 1-3/16 x 1-7/16 x 1/8 Zoll **	1
7	Keramik	1
8	Spurdichtung, Hauptventil, Buna-N	1
9	Spurdichtung, Vorsteuerventil, Buna-N	1
*	Schmierfettpaket	1



* Teil nicht numeriert/abgebildet

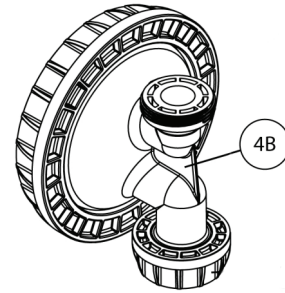
**Einbauausrichtung beachten, Seite 8

Nicht elektrisch leitfähige Modelle werden mit Nutringen aus Urethan geliefert.

Sätze und Ersatzteile (Forts.)

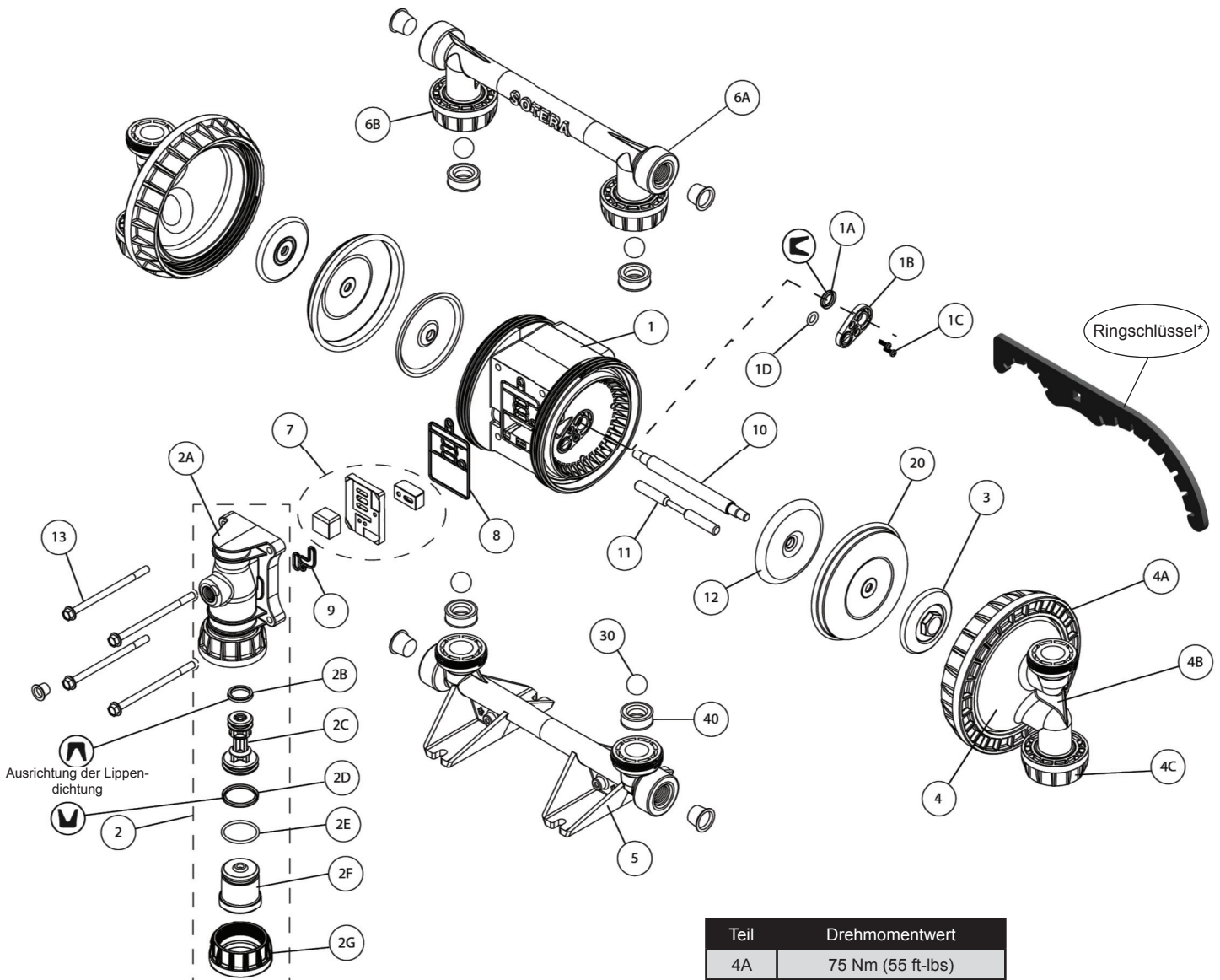
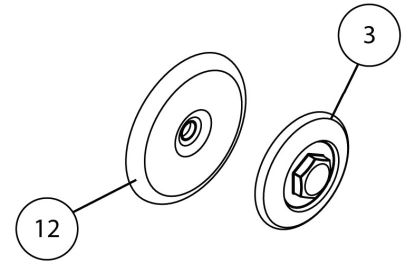
Flüssigkeitskappensätze

SATZ	Teil	Beschreibung	Werkstoff	Menge
KITS05FCP	4B	Flüssigkeitskappe	Polypropylen	1
KITS05FCD	4B	Flüssigkeitskappe	Actetal, für Masseanschluss geeignet	1
KITS05FCF	4B	Flüssigkeitskappe	PVDF	1



Ersatzmutter und -unterlegscheibe

SATZ	Teil	Beschreibung	Werkstoff	Menge
KITS05NWP	3	1/2 Zoll Membranmutter	Polypropylen	1
	12	Unterlegscheibe	Rostfreier Stahl	1
KITS05NWD	3	1/2 Zoll Membranmutter	Actetal, für Masseanschluss geeignet	1
	12	Unterlegscheibe	Kohlenstoffstahl	1
KITS05NWF	3	1/2 Zoll Membranmutter	PVDF	1
	12	Unterlegscheibe	Rostfreier Stahl	1



Teil	Drehmomentwert
4A	75 Nm (55 ft-lbs)
4C/6B	11 Nm (100 in-lbs)
13	2,3 Nm (20 in-lbs)
3	11 Nm (100 in-lbs)

* KITS05WCH (siehe Seite 12)

Wartung Der Membranpumpe

Zum Zerlegen und zur Wartung empfohlene Werkzeuge:

- Wartungsschlüssel (im Betriebsanleitungspaket enthalten); mit 3/8-Zoll-Drehmomentschlüssel verwenden, um die Ringe mit dem vorgeschriebenen Drehmomentwert festzuziehen.
- 7/8-Zoll-Steck- oder Schraubenschlüssel.
- 3/8-Zoll-Steck- oder Schraubenschlüssel.
- Kreuzschlitzschraubendreher.
- O-Ring-Abzieher.

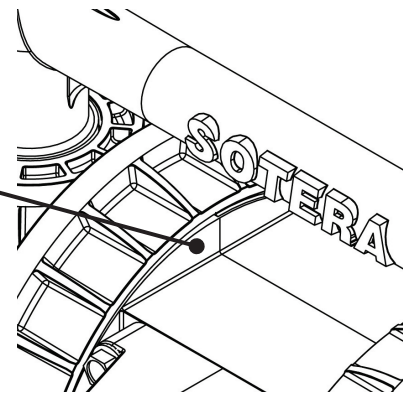
Zerlegen Des Flüssigkeitsabschnitts

- Die Sicherungsringe der Flüssigkeitskappe lockern, bis sie sich frei drehen. Den Wartungsschlüssel verwenden. Die Zähne eng gegen den Ring ansetzen und gegen den Auslassverteiler ziehen.
- Den Auslassverteiler (6A) entfernen, indem beide Manschetten (6B) abgeschraubt werden. Den Wartungsschlüssel und Drehmomentschlüssel verwenden.
- Sitze (40) und Kugeln (30) aus dem Auslassverteiler entfernen.
- Den Einlassverteiler (5) entfernen, indem beide Manschetten (4C) abgeschraubt werden. Den Wartungsschlüssel und Drehmomentschlüssel verwenden.
- Sitze (40) und Kugeln (30) aus den Flüssigkeitskappen (4) entnehmen.
- Eine Flüssigkeitskappen-Baugruppe (4) entfernen, indem der Sicherungsring (4A) abgeschraubt wird. Den Wartungsschlüssel und Drehmomentschlüssel verwenden. Sie sollten von Hand frei drehbar sein (bereits gelockert gemäß Hinweis 1).
- Die zweite Flüssigkeitskappe (4) entfernen, indem der Sicherungsring (4A) abgeschraubt wird. Den Wartungsschlüssel und Drehmomentschlüssel verwenden und den Arbeitsschritt wie unter Punkt 6 wiederholen.
- Membranmutter (3), Membran (20) und Unterlegscheibe (12) entfernen (7/8-Zoll-Steck- oder Schraubenschlüssel verwenden).
- Membranstange (10) mit zweiter Membran, Membranmutter und Unterlegscheibe aus dem mittleren Gehäuseteil entfernen.
- Die zweite Membranmutter, Membran und Unterlegscheibe behutsam von der Membranstange schieben und dabei die Stangenoberfläche schützen. (7/8-Zoll-Steck- oder Schraubenschlüssel verwenden.)

Zusammenbau Des Flüssigkeitsabschnitts

- In umgekehrter Reihenfolge wieder zusammenbauen. (HINWEIS: Die Ausrichtung der Abflachungen an den Flüssigkeitskappen und am mittleren Gehäuseteil notieren, um die korrekte Ausrichtung sicherzustellen.)
- Die Membranstange vor dem Einbau schmieren (mitgeliefertes LUBRIPLATE® Super FML-2 verwenden).
- Beim Ersetzen der PTFE-Membrane sicherstellen, dass die blaue Membranunterlage in Richtung mittleres Gehäuseteil und PTFE in Richtung Flüssigkeitskappe platziert ist.
- Die vorgeschriebenen Drehmomentwerte für alle Befestigungsteile/Ringe beachten (siehe Tabelle der Drehmomentwerte auf Seite 8). Den Wartungsschlüssel und Drehmomentschlüssel verwenden; mit dem vorgeschriebenen Drehmoment festziehen.
- Bei der Montage der Flüssigkeitskappen am Gehäuse wird die Dichtwirkung durch Verdrehen um 90 bis 110 Grad ab dem Kontaktpunkt mit dem Membranwulst selbst hergestellt. Die Ringe müssen bündig (oder geringfügig über bündig hinaus) mit den Innenwänden des Gehäuses abschließen, um eine ausreichende Dichtwirkung zu gewährleisten (wie unten abgebildet). **Die Drehmomentwerte sind auf Seite 8 angegeben.**

- Der Ring muss festgezogen werden, bis er bündig mit dem Gehäuse abschließt bzw. geringfügig darüber hinaus.



Zerlegen Des Druckluftabschnitts

- Die Bundschrauben (13) mit einem 3/8-Zoll-Steckschlüssel entfernen.
- Die Ventilblockbaugruppe (2) aus der Pumpe ausbauen.
- Die Keramikventile (7) aus der Pumpe ausbauen.
- Die Spurdichtung des Hauptventils (8) aus der Pumpe ausbauen.
- Die Spurdichtung des Vorsteuerventils (9) aus der Ventilblockbaugruppe (2) ausbauen.
- Die Manschette (2G) aus der Ventilblockbaugruppe ausbauen. Den Wartungsschlüssel verwenden.
- Die Komponenten aus dem Ventilblock ausbauen. Den O-Ring (2E) vom Verschluss (2F) trennen. Die Nutringe (2B und 2D) von der Spule (2C) trennen. Die Richtung der Nutringlippen sorgfältig notieren; sie müssen wieder korrekt ausgerichtet eingebaut werden, damit der Druckluftabschnitt funktioniert.
- Den Flüssigkeitsabschnitt gemäß den obigen Anweisungen zerlegen.
- Schrauben (1C), Dichtungssicherungsringe (1B), Nutringe (1A) und O-Ringe (1D) von beiden Seiten des mittleren Gehäuseteils (1) entfernen. Die Richtung der Nutringlippen sorgfältig notieren; sie müssen wieder korrekt ausgerichtet eingebaut werden, damit der Druckluftabschnitt funktioniert.

Zusammenbau Des Druckluftabschnitts

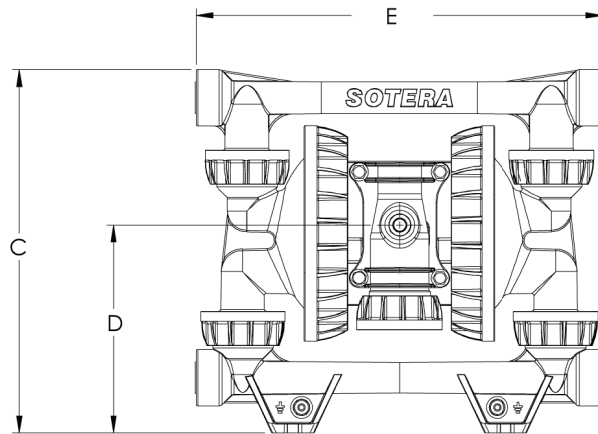
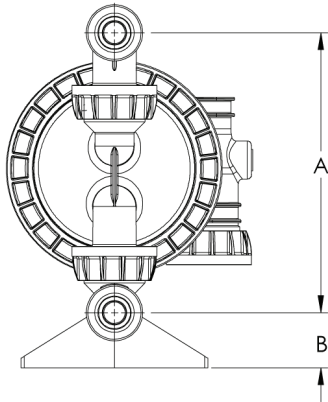
- In umgekehrter Reihenfolge wieder zusammenbauen.
- Alle Gleitdichtungen vor dem Einbau schmieren (mitgeliefertes LUBRIPLATE® Super FML-2 verwenden).
- **Die vorgeschriebenen Drehmomentwerte für alle Befestigungsteile beachten (siehe Tabelle der Drehmomentwerte auf Seite 8). Den Wartungsschlüssel und Drehmomentschlüssel verwenden; mit dem vorgeschriebenen Drehmoment festziehen.**

Fehlersuche

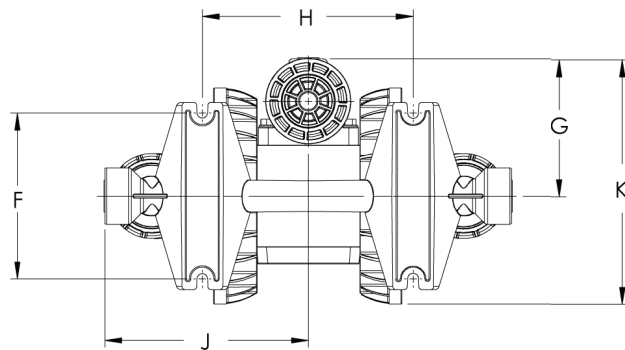
Symptom	Mögliche Ursache	Reparatur
Flüssigkeit tritt aus dem Abluftauslass aus.	• Geplatzte Membrane (20)	• Membrane (20) ersetzen.
	• Membranmutter (4A) locker	• Lockere Membranmutter (4A) festziehen.
Luftbläschen im Flüssigkeitsauslass.	• Leck in der saugseitigen Verrohrung	• Verbindungen der saugseitigen Verrohrung prüfen.
	• Leck an der Einlassmanschette (4C)	• Drehmoment der Einlassmanschette (4C) prüfen.
	• Leck an Membranmutter (4A)	• Drehmoment der Membranmutter (4A) prüfen.
Motor bläst Luft aus dem Hauptauslass, wenn er bei einer der Hubbewegungen abgewürgt wurde.	• Nutringe falsch eingesetzt, beschädigt oder nicht vorhanden	• Nutringe (2B und 2D) an der Hauptventilspule prüfen.
	• Keramikventile beschädigt oder verunreinigt (7)	• Keramikventile (7) auf Verunreinigung oder Schäden prüfen.
	• Vorsteuerventil nicht korrekt ausgerichtet	• Sicherstellen, dass das Vorsteuerventil in der korrekten Ausrichtung eingesetzt wird; siehe Zeichnung am mittleren Gehäuseteil.
Geringe Flüssigkeitsfördermenge.	• Schwache oder blockierte Druckluftversorgung	• Druckluftversorgung prüfen.
	• Blockierung in der Auslassverrohrung	• Auf Blockierungen in der Auslassverrohrung prüfen.
	• Pumpe nicht vorgefüllt	• Die Pumpe muss vertikal montiert sein, damit die Rückschlagkugeln korrekt funktionieren.
	• Saugrohr zu klein oder Saugschlauch nicht starr (geknickt oder gequetscht)	• Auf Pumpenkavitation prüfen – das Saugrohr muss mindestens den gleichen Durchmesser wie das Einlassgewinde haben. Der Saugschlauch muss starr sein oder darf nicht quetschbar sein.
	• Leck in der saugseitigen Einlassverrohrung	• Alle Einlassverrohrungen auf mögliche saugseitige Lecks prüfen.
	• Pumpeninneres durch Ablagerungen blockiert	• Pumpe auf Rückstände prüfen, die den Durchfluss oder die Rückschlagkugeln blockieren könnten.

ANMERKUNGEN

Massangaben



Abmessung	Zoll	Metrisch
A	8,245 Zoll	209,42 mm
B	1,625 Zoll	41,28 mm
C	10,70 Zoll	271,78 mm
D	6,123 Zoll	155,524 mm
E	12,000 Zoll	304,80 mm
F	4,875 Zoll	123,825 mm
G	4,031 Zoll	102,387 mm
H	6,250 Zoll	158,75 mm
J	6,000 Zoll	152,40 mm
K	7,206 Zoll	183,032 mm



Zubehör

Die folgenden Zubehöerteile sind zur kundenspezifischen Anpassung der SP100 Pumpe erhältlich. Wenden Sie sich an Ihre Sotera-Vertretung, wenn Sie Fragen haben oder eines der folgenden Zubehöerteile bestellen möchten.

Teile-Nr.	Zubehör	Beschreibung
KITS05WMA	Wandmontage-Halterung	Edelstahlhalterung für Wandmontageanwendungen der SP100 Pumpe
KITS05FRH	Filter-/Reglersatz	Luftleitungsfilter, Regler und Schlauch
KITS05MUF	Schalldämpfer	Schalldämpfer für die Abluftleitung
KITS05WCH	Montageschlüssel	Spezialwerkzeug zum Einsatz an Verteiler- und Flüssigkeitssicherungsringen (4A und 4C in Zeichnung auf Seite 5)
KIT180MAMPS	Beutelmontageplatte (für IBC-Beutel)	Beutelmontageplatte, Befestigungsteile

EINHALTUNG GESETZLICHER VORSCHRIFTEN

Die Sotera SP100 1/2 Zoll Druckluft-Membranpumpe wurde getestet und entspricht den strikten Normen zur Zulassung durch die folgenden Aufsichtsbehörden.*



Modelle aus Polypropylen (nicht leitfähig) entsprechen folgenden europäischen Normen:

- 2006/42/EC – Maschinen
- BS EN ISO 12100:2010, Sicherheit von Maschinen – Allgemeine Gestaltungsleitsätze – Risikobewertung und Risikominderung
- BS EN 809:1998 – Pumpen und Pumpenaggregate für Flüssigkeiten – Allgemeine sicherheitstechnische Anforderungen



Modelle zum Einsatz in explosiven Atmosphären (ATEX) unter Einhaltung der europäischen Normen:

- 94/9/EC – Richtlinie für Geräte zum Einsatz in explosionsgefährdeten Bereichen.
- EN 13463 - 1 – Richtlinie für nichtelektrische Geräte zum Einsatz in explosionsgefährdeten Bereichen. Teil 1: Grundlagen und Anforderungen.
- EN 13463 - 5 – Richtlinie für nichtelektrische Geräte zum Einsatz in explosionsgefährdeten Bereichen. Teil 5: Schutz durch konstruktive Sicherheit „c“.

▲WICHTIG

*Für spezielle Pumpenkonformität auf die oben am Pumpengehäuse aufgedruckten behördlichen Informationen Bezug nehmen.

Besuchen Sie uns im Web unter:

www.sotera.com

Erfahren Sie mehr über die Tuthill Corporation und unsere Angebot an hochwertigen, wertschöpfenden Produkten unter:

www.tuthill.com

SOTERA™

SYSTEMS

Sotera Systems
8825 Aviation Drive
Fort Wayne, IN 46809
1-800-634-2695
1-260-747-7524