



CAR WASH PRODUCTS FROM DULTMEIER SALES

MENTION THIS FLYER FOR A 10% DISCOUNT

Crush-Proof Vacuum Hose (Round Ribs)

CP Series Round Rib Hoses are the most flexible hoses in the car wash industry.

- Features:** UV protection • Crush proof design • Smooth bore • Durable • Proprietary Polyolefin Copolymer formulation • Round outer rib design • Rated from -40° F. to +160° F. • Wide color options • 15' and 50' Lengths **without cuffs** • Made in USA.



Part No.	I.D.	Length	* Std. Pkg.	Color	Net Ea.
FX CP-1-1/2x15	1-1/2"	15'	6	Grey/Black	\$ 19.70
FX CP-1-1/2x15B	1-1/2"	15'	6	Black/Black	19.70
FX CP-1-1/2x15BL	1-1/2"	15'	6	Blue/Black	19.70
FX CP-1-1/2x15R	1-1/2"	15'	6	Red/Black	19.70
FX CP-1-1/2x15Y	1-1/2"	15'	6	Yellow/Black	19.70
FX CP-2x15	2"	15'	4	Grey/Black	28.50
FX CP-2x15B	2"	15'	4	Black/Black	28.50
FX CP-2x15BL	2"	15'	4	Blue/Black	28.50
FX CP-2x15R	2"	15'	4	Red/Black	28.50
FX CP-2x15Y	2"	15'	4	Yellow/Black	28.50
FX CP-1-1/2x50	1-1/2"	50'	2	Grey/Black	65.00
FX CP-1-1/2x50B	1-1/2"	50'	2	Black/Black	65.00
FX CP-1-1/2x50BL	1-1/2"	50'	2	Blue/Black	65.00
FX CP-1-1/2x50R	1-1/2"	50'	2	Red/Black	65.00
FX CP-1-1/2x50Y	1-1/2"	50'	2	Yellow/Black	65.00
FX CP-2x50	2"	50'	-	Grey/Black	94.50
FX CP-2x50B	2"	50'	-	Black/Black	94.50
FX CP-2x50BL	2"	50'	-	Blue/Black	94.50
FX CP-2x50R	2"	50'	-	Red/Black	94.50
FX CP-2x50Y	2"	50'	-	Yellow/Black	94.50

* 5% Discount for Standard Package Purchase

BWW Boom Hoses

Non-Marking, Poly Cover, Fiber Braid / SS Ends
Rated to 3,000 PSI • 250° F.

Up to 6 Times the Life of Rubber

These unique hoses are ideal for use in the self-service car washes or tunnel prep systems. Blue, transparent, polyurethane covers with polyester braids. Non-marking, kink and abrasion-resistant, ultra-flexible. Abrasion tests show these hoses will outlast common rubber hoses by up to 6 times.



All hoses come with solid x solid male fittings and one bend restrictor. Available in 1/4" or 3/8" I.D. x 12', 15' or 18' lengths. With 1/4" or 3/8" MPT stainless ends. Rated to 3000 PSI and 250° F. Bulk hose available - Call for details.

Part No.	Hose Size	Color	Ends	Net Ea.
FN 214CH	1/4" x 12'	Blue	1/4" MPT	\$ 14.80
FN 514CH	1/4" x 15'	Blue	1/4" MPT	16.90
FN 814CH	1/4" x 18'	Blue	1/4" MPT	18.90
FN 30177	1/4" x 12'	Blue	3/8" MPT	16.80
FN 30161	1/4" x 13'	Blue	3/8" MPT	20.20
FN 30165	1/4" x 13' 6"	Blue	3/8" MPT	21.90
FN 30178	1/4" x 15'	Blue	3/8" MPT	18.10
FN 30162	1/4" x 16'	Blue	3/8" MPT	19.10
FN 30179	1/4" x 18'	Blue	3/8" MPT	21.80
FN 30258	3/8" x 12'	Blue	3/8" MPT	27.75
FN 30259	3/8" x 15'	Blue	3/8" MPT	34.00
FN 30260	3/8" x 18'	Blue	3/8" MPT	39.75

Wand Swivels



Easy Turn Wand Swivels from Mosmatic. High quality Swiss engineering. 4000 PSI models are nickel-plated brass. 7300 PSI models are stainless steel. Buna O-ring are standard but EPDM or Viton® are available in some models. Rated to 250° F.



Part No.	Ports	Max. PSI	Net Ea.
MM 32564	3/8" MPT x 3/8" FPT	4000	\$ 36.25

TRU-VEND

In Wall Vending Machines

TRU-VEND In the Wall Vending Machines are the perfect choice for offering multiple vending options in your car wash or laundromat.

Durable construction with 14 gauge stainless steel frame and door. Main storage cabinet is powder-coated steel. Unique design mounts in the wall to save floor space. Rear or front load feature adds to security with product and monies accessible from front or back.

Standard Features: 18 or 30 Vend select options • 3 Options: Coins only, Bills and Coins or Credit cards • LED credit display • Individual pricing to \$99.95 • Cash and vend counter • Adjustable wall brackets • 3/16" Clear Plexiglass front for added protection • MDB electronics • Coinco bill acceptor, (Mars available) • 115 Volt.



TR U30



TR U18

No. TRU30 features 5 shelves with 30 select vend options and adjustable trays. Front faceplate is 38" wide x 58" high. Required opening size is 33-1/2" wide x 53-1/2" high. Shipping weight is 225 lbs.

No. TRU18 features 3 shelves with 18 select vend options and adjustable trays. Front faceplate is 37" wide x 40" high. Required opening size is 32" wide x 35-1/4" high. Shipping weight is 200 lbs.

Part No.	Machine Type	Wt.	Net Ea
TR U18-CO	18 Select, Coins Only	200 lbs.	\$ 4145.00
TR U18	18 Select, Coins & Bills	200 lbs.	4565.00
TR U18BARE	18 Select, Bare, for Credit Card Swiper **	200 lbs.	3690.00
TR U30-CO	30 Select, Coins Only	525 lbs.	4997.00
TR U30	30 Select, Coins & Bills	525 lbs.	5440.00
TR U30BARE	30 Select, Bare, for Credit Card Swiper**	525 lbs.	4560.00
DU FA2	Start Up Supply Package, 16 Products	-	900.00
DU FA4	Start Up Supply Package, 25 Products	-	1157.00

** Must Order Credit Card Reader Separately.



Tankless Water Heaters

RTGH-L199i

Indoor Direct Vent
28,500-199,000 BTU/h
Natural Gas/LP Convertible



Part No.	* Gas	Flow Rate @ 80 Temp. Rise	Net Ea.
HU RTGH-L199i	Natural	5.1 GPM	\$ 1625.00

* Convertible to LP Gas





CAR WASH PRODUCTS FROM DULTMEIER SALES

MENTION THIS FLYER FOR A 10% DISCOUNT

High Pressure Wand Swivels

High Pressure Gun Swivels. Brass or stainless steel construction. Rebuildable design. Rated to 200" F. Brass rated to 3,000 PSI. Stainless rated to 5,000 PSI.



Part No.	Material	Size	Max. PSI	Net Ea.
AA 7045	Brass	3/8" F X F	3000	\$ 20.80
AA 7080	Brass	3/8" M x F	3000	18.30
AA 7044	Stainless	3/8" M x F	5000	23.00
AA 7084	Repair Kit for above swivels			3.25

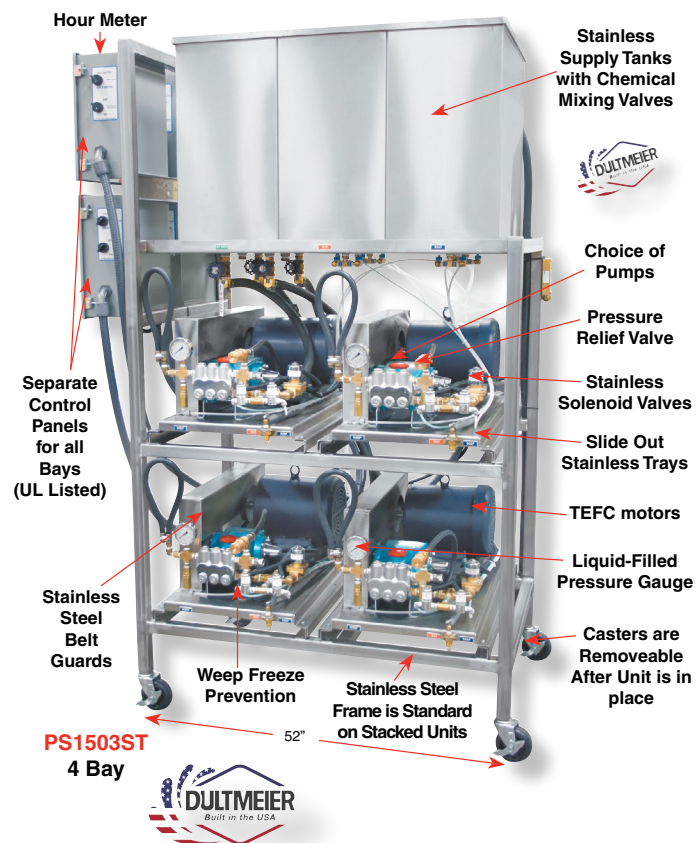
SUTTNER Trigger Guns

- Our Most Popular Spray Wand
- Easy Trigger Pull
- 12 GPM @ 4000 PSI



Part No.	Seat	GPM	PSI	Net Ea.
NP ST1500	Zero	12	5000	\$ 24.90
NP ST1500W	Weep	12	4000	26.75

Standard Stack Unit System



- Call for Options and Pricing -

Bay/Vacuum Timers



AT411 Timers are for use in bays or vacuums. Designed to be wired for either 24-volt or 110-volt operation. Accumulating feature will accept up to 15 coins to start. Adjustable from 2 seconds to 8-1/2 minutes per coin. Can easily be changed in the field for coins or time. (Ideal replacement for IDX timers).



Part No.	Net Ea.
DU AT411 Bay/Vacuum Timer	\$ 123.00

CryptoPay Credit Card System



Part No.	Description	Net Ea.
CB 11CTP	Tap Pay Plus Reader w/ Button for Bays and Vacuums	\$ 509.00
CB 11SW	Cryptopay Swiper	439.00
CB 11CR	Data Coordinator for up to 50 Readers	385.00

MEGA METER PLUS Credit Card / Coin / Tokens / Bills



- Call for Options and Pricing -



CAR WASH PRODUCTS FROM DULTMEIER SALES

MENTION THIS FLYER FOR A 10% DISCOUNT

RO Production Systems Only for Self-Serve & Automatics (Low Energy Membranes)

These are the systems that produce your spot-free water. Available from 1000 to 5800 gallon per day production capacities.

Features: Stainless Steel Frame • Flow meters for concentrate and permeate levels. • 10 micron prefilters. • Liquid level control for RO water holding tank. • Stainless Steel stands • Automatic & manual backwash feature for added membrane life. • Low Energy Thin-Film Composite membranes. • Pre-plumbed, pre-wired and tested prior to shipment.

Systems are 1,000 GPD and 39" H x 15" W x 13" D.
Systems from 2,900 to 5,800 GPD are 54" H x 28" W x 24" D.



Part No.	Gallons Per Day	Carbon Bottle	HP/Volts	Net Ea.
DU RO250-4LENC	1,000	No	1/3HP, 110V	\$ 3781.00
DU RO250-5LENC	2,900	No	3/4HP, 110/230V	3872.00
DU RO250-6LENC	5,800	No	1.5HP, 110/230V	6198.00
DU RO250-4LE	1,000	Yes	1/3HP, 110V	4527.00
DU RO250-5LE	2,900	Yes	3/4HP, 110/230V	4793.00
DU RO250-6LE	5,800	Yes	1.5HP, 110/230V	7119.00

*Output based on 24 hours at 77" F input water for 24 hours

DS5 Wash/Foam Detergent



DS5 Wash/Foam Detergent. High sudsing soap/detergent. Rich dense foam has excellent lubricity and loosens stubborn grime, easy rinsing. Appearance is **Clear/White**. Unscented. PH 6-8. Mix ratios of 150 to 240:1. Sold in 5 gallon pails or 55 gallon drums.

Part No.	Container	Wt.	Price/Pail
TU DS5 Wash/Foam Detergent	5 Gallon Pail	42 lbs.	\$ 59.00
TU DS5-55 Wash/Foam Detergent	55 Gallon Drum	475 lbs.	576.00

*10% Discount on 10 Assorted 5 Gallon Pails

DS9 Cherry Foam Brush Soap



DS9 Cherry Foam Brush Soap. Excellent customer appeal with high foam and pleasant scent. Designed for foaming brush systems. Appearance is **Red Foam**. Scent is **Cherry**. PH 2-3. Mix ratios up to 240:1. Sold in 5 gallon pails.

Part No.	Container	Wt.	Price/Pail
TU DS9 Cherry Foam Brush Soap	5 Gallon Pail	42 lbs.	\$ 60.50

*10% Discount on 10 Assorted 5 Gallon Pails

DS13 Clear Coat Protectant

DS13 Clear Coat Protectant. Ultra-concentrated, silicone base protectant that enhances shine and provides quick water break. Leaves a great shine. Can be used in Touchless or Friction tunnels and rollovers as well as self-serve. Appearance is **Pink**. Scent is **Pina Colada**. Mixing rates of 500 to 600:1. Sold in 5 gallon pails.

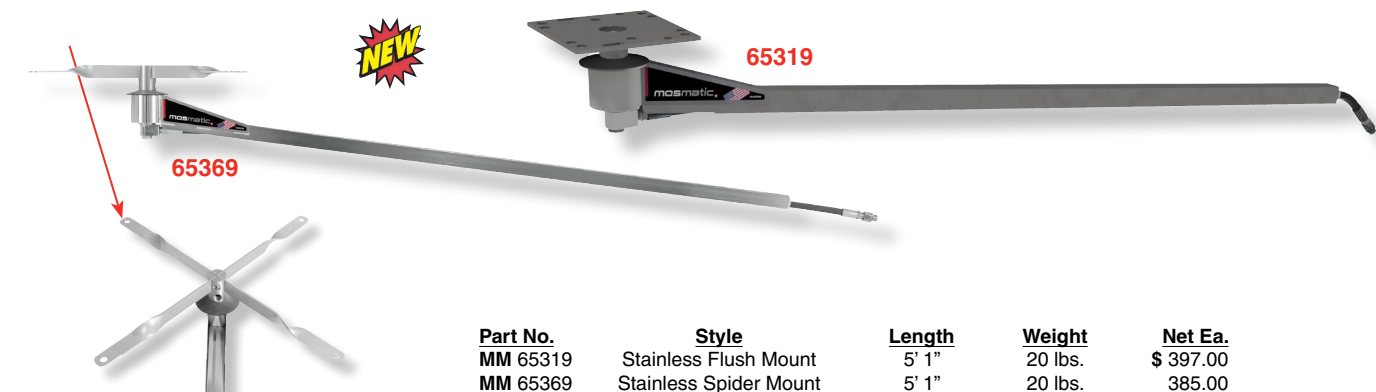


Part No.	Container	Wt.	Price/Pail
TU DS13 Clear Coat Protectant..	5 Gallon Pail	42 lbs.	\$ 84.00

*10% Discount on 10 Assorted 5 Gallon Pails

Mosmatic Straight Ceiling Booms

Stainless Steel Straight Booms from Mosmatic are an economical options for your wash bays. These 360 degree ceiling booms feature either a flush mount plate or spider mount brackets. Polished stainless steel construction. Inlet ports are 3/8" FPT. Boom arm hose with 3/8" MPT end fitting is included. Both models are 5' 1" overall length. Rated to 4000 PSI and 250" F.



Part No.	Style	Length	Weight	Net Ea.
MM 65319	Stainless Flush Mount	5' 1"	20 lbs.	\$ 397.00
MM 65369	Stainless Spider Mount	5' 1"	20 lbs.	385.00





Box 45565
Omaha, Nebraska 68145-0565



Or Current Resident

PRSR STD
U.S. POSTAGE
PAID
OMAHA, NE
PERMIT NO. 314

OMAHA, NEBRASKA
13808 Industrial Road
Omaha, NE 68137

TOLL-FREE 1-800-228-9666
LOCAL 1-402-333-1444
FAX No. 1-402-333-5546
E-MAIL dultmeier@dultmeier.com

DAVENPORT, IOWA
601 West 76th Street
Davenport, IA 52806

TOLL-FREE 1-800-553-6975
LOCAL 1-563-386-0930
FAX No. 1-563-386-5448
E-MAIL dultmeier@dultmeier.com



© Dultmeier Sales 2025

SPECIAL!

DULTMEIER SALES

CAR WASH PRODUCTS FROM DULTMEIER SALES

MENTION THIS FLYER FOR A 10% DISCOUNT

Thin Film RO Membranes
— Made in USA —

Thin Film RO Membranes offer the industry's leading patented membrane technology. Our buying power allows us to offer these high quality membranes at reduced pricing to you. Exact replacements for Film-Tec, Osmonics and many others in the market. Individually tested before shipping. Temperatures to 110° F. Pressures to 225 PSI. 99.7% salt rejection. (For tap water applications).



Part No.	Size	* Flow Range	Net Ea.
EP HR2540	2-1/2" X 40"	650 GPD @ 225 PSI	\$ 204.00
EP HR4021	4" x 21"	900 GPD @ 225 PSI	213.00
EP HR4040	4" x 40"	2200 GPD @ 225 PSI	299.00

* 24 Hour production cycle at 77° F. tap water.

High Flow Low PSI Membranes
— Imported —

CW4040 Membranes are ideal for use in the car wash industry for reverse osmosis, spot-free rinse systems. High flow rates at ultra-low pressure requirements. Thins film Nanocomposite (TFN) technology. Can be used with tap or brackish water.

Rated to 2800 gallons per day at 100 PSI*. 4" x 40" Size easily fits into most any RO System. Rated to 600 PSI max and 113° F. Maximum feed is 16 GPM. Salt rejection 98%. Imported. **Note:** Chlorine filters should be used prior to membranes to increase life.



Part No.	Size	* Flow Range	Wt.	Net Ea.
EP CW4040SF	4" X 40"	2800 GPD @ 100 PSI	4 lbs.	\$ 201.00

* 24 Hour production is based on 77° F. incoming water temperature. Output will decrease with lower water temperatures.

ELECTRO MOTOR Vacuum Motors



Q6600-020T

Part No.	Volts/Stage	Bypass Type	CFM	Amps	Height	* Net Ea.
EM Q6600-020T	120v, 2 stage	Peripheral	96	7.3	6.65"	\$ 49.50
EM QM6600-135T	*120v, 2 stage	Peripheral	94	8.1	6.70"	68.50

* Quiet Version has 6-7 lower decibel output than standard motors

Aluminum Head Foam Brushes

These flow-through foam brushes feature oval aluminum heads and either Nylon or Hogs Hair bristles. Standard replacement brushes for self-serve car wash or truck wash applications. Inlet fittings are 1/2" FPT.

Part No.	Trim Style	Net Ea.
FB 367	Black Nylon, Black Bumper	\$ 71.50
FB 367-B	Blue Nylon, Blue Bumper	71.50
FB 367-R	Red Nylon, Red Bumper	71.50

