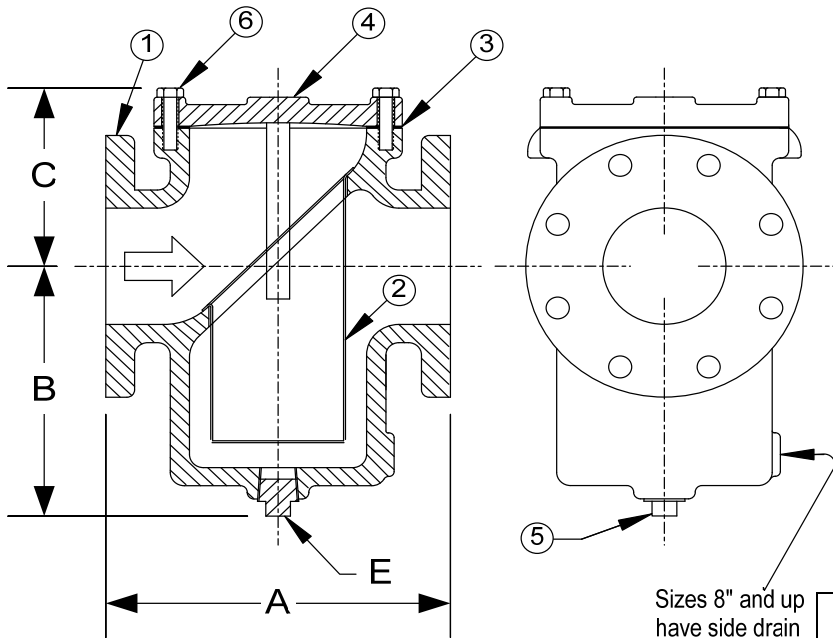


DRAWING NO.
AL 73188



Sizes 8" and up
have side drain
blow-off hole.

BODY PRESSURE & TEMPERATURE RATINGS – NON SHOCK			
NOM. RATING	MEDIA	2" to 12"	14" & up
125# (STANDARD FLANGE)	STEAM	125 PSI @ 450°F	100 PSI @ 353°F
	W.O.G.	200 PSI @ 150°F	150 PSI @ 150°F

PARTS LIST		
ITEM	DESCRIPTION	MATERIAL
1	BODY	CAST IRON (ASTM A 126, CLASS B)
2	BASKET	STAINLESS STEEL (304)
3	GASKET	COMPOSITION
4	COVER	CAST IRON (ASTM A 126, CLASS B)
5	PIPE PLUG	MALLEABLE IRON
6	HEX HEAD CAP SCREW	STEEL

Product Number†	SIZE	DIMENSIONS (in)				COVER		WEIGHT (lbs)
		A	B	C	E	No. of Bolts	Size of Bolts	
21FFS-CI125P34-FB	2	8	6	3-1/2	3/4	4	5/8-11 x 1-1/2	23
21/21FFS-CI125P34-FB	2-1/2	8-1/4	7	3-3/4	3/4	4	5/8-11 x 1-1/2	33
31FFS-CI125P34-FB	3	9-3/4	8-1/4	4-1/4	3/4	4	5/8-11 x 1-1/2	44
41FFS-CI125P34-FB	4	11-1/2	9	4-3/4	1	8	5/8-11 x 1-3/4	67
51FFS-CI125P34-FB	5	13-1/8	9-3/4	6	1	8	3/4-10 x 1-3/4	88
61FFS-CI125P34-FB	6	14-3/4	10-1/2	6-1/4	1	8	3/4-10 x 1-3/4	12
81FFS-CI125P34-FB	8	18-1/2	12-3/4	9	1-1/2	8	3/4-10 x 2	220
101FFS-CI125P34-FB	10	20-1/8	14-3/4	10-3/4	1-1/2	12	7/8-9 x 2-1/4	353
121FFS-CI125P34-FB	12	26-1/4	17-1/2	13-1/2	2	12	7/8-9 x 2-1/2	523
141FFS-CI125P34-FB	14	30-1/4	23-1/4	14-1/4	3	16	7/8-9 x 2-1/2	814
161FFS-CI125P34-FB	16	33-1/8	24-1/4	15	3	16	7/8-9 x 2-1/2	1041

†See "Style GFV Product Number Configuration" for additional options.

STANDARD SCREENS SUPPLIED

SIZE	SCREEN GAGE	SCREEN PERFORATION			
		FOR STEAM	OPEN AREA	FOR LIQUID	OPEN AREA
in		in		in	
2 to 3	28	1/16	30%	1/8	43%
4 to 16	24 - 20	1/8	43%	1/8	43%

Standard screens supplied are for liquid service, unless otherwise specified.
Options: Other meshes, perforations, and screen materials are available.

KECKLEY

3400 CLEVELAND SKOKIE ILLINOIS

DRAWING NO.
AL 73188

DIMENSIONAL ASSEMBLY

PART NO.

125# Flange Style GFV Cast Iron
Basket Strainer w/ 304 ss screen

SCALE: NTS

DATE: 07/01/2011

MAT'L:

REQ. ---

DR. BY DSF