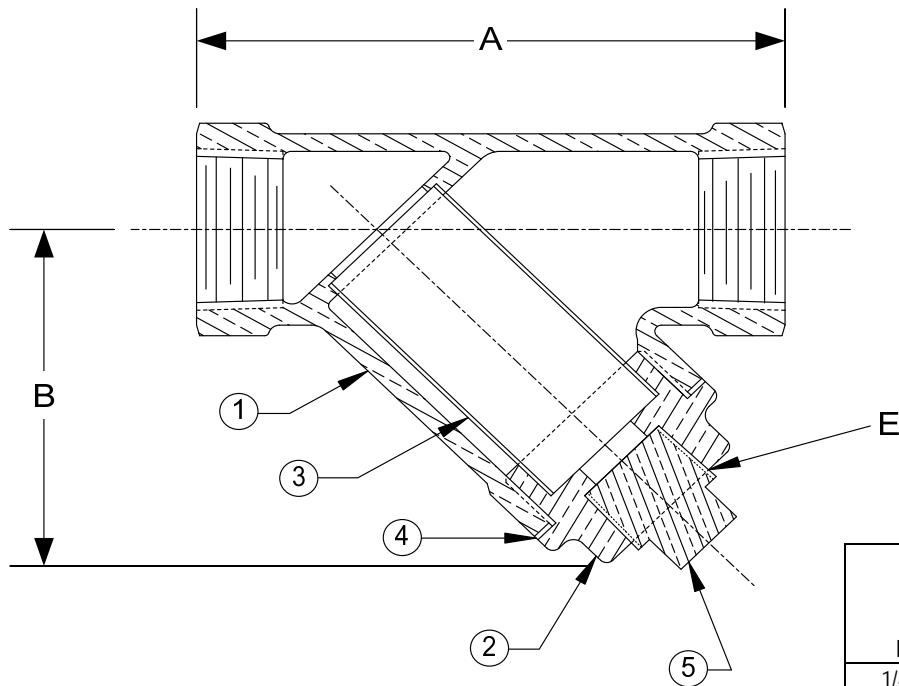


DRAWING NO.
AL 73154



PRESSURE & TEMPERATURE RATINGS - NON SHOCK		
NOM. RATING	MEDIA	1/4" to 3"
125# (THREADED)	STEAM	125 PSI @ 400°F
	W.O.G.	200 PSI @ 150°F

PARTS LIST		
ITEM	DESCRIPTION	MATERIAL
1	BODY	BRONZE (ASTM B 584, C84400)
2	CAP	BRONZE (ASTM B 584, C84400)
3	SCREEN	STAINLESS STEEL (304)
4	GASKET	COMPOSITION
5	PLUG	BORNZE (ASTM B 584, C84400)

Product Numbers [†]	SIZE	DIMENSIONS (in)			WEIGHT (lbs)
		A	B	E	
1/41THY-BCM20M34-FTI	1/4	3-3/16	2-1/4	3/8	0.80
3/81THY-BCM20M34-FTI	3/8	3-3/16	2-1/4	3/8	0.80
1/21THY-BCM20M34-FTI	1/2	3-3/16	2-1/4	3/8	0.80
3/41THY-BCM20M34-FTI	3/4	3-15/16	2-5/8	3/8	1.20
11THY-BCM20M34-FTI	1	4-1/2	3	1/2	1.80
11/41THY-BCM20M34-FTI	1-1/4	5-5/16	3-9/16	1/2	2.70
11/21THY-BCM20M34-FTI	1-1/2	6-3/16	4	1/2	3.60
21THY-BCM20M34-FTI	2	7-1/2	4-5/8	1/2	5.60
21/21THY-BC045P34-FTI	2-1/2	9	5-1/2	1/2	10.00
31THY-BC045P34-FTI	3	10-1/8	6-1/8	1/2	13.50

[†]See "Style F-150 Product Number Configuration" for additional options.

STANDARD SCREENS SUPPLIED

SIZE in	SCREEN GAGE	SCREEN PERFORATION			
		FOR STEAM in	OPEN AREA	FOR LIQUID in	OPEN AREA
1/4 to 2		20 MESH STAINLESS STEEL			49%
2-1/2 & 3	28	3/64	33%	3/64	33%

Options: Other meshes, perforations, and screen materials are available.

KECKLEY

3400 CLEVELAND SKOKIE ILLINOIS

DRAWING NO.
AL 73154

DIMENSIONAL ASSEMBLY		PART NO.
1/4" to 3" 125# Threaded Style F-150		SCALE: NTS
(Import)		DATE: 07/01/2011
MAT'L: Cast Bronze	REQ. ---	DR. BY DSF