



SCHEMATICS

Dosatron Liquid Dispenser **Model # D45RE3 – 20 GPM**

1:200 – 1:33

7 – 70 PSI

Suggested Installation:

200 mesh/80 micron water filter prior to unit

One-way check valve downstream from unit for water hammer protection

Suggested Maintenance Interval:

Replace injection seals every 12 months

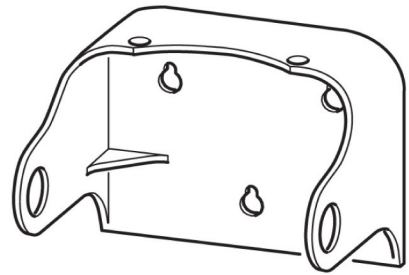
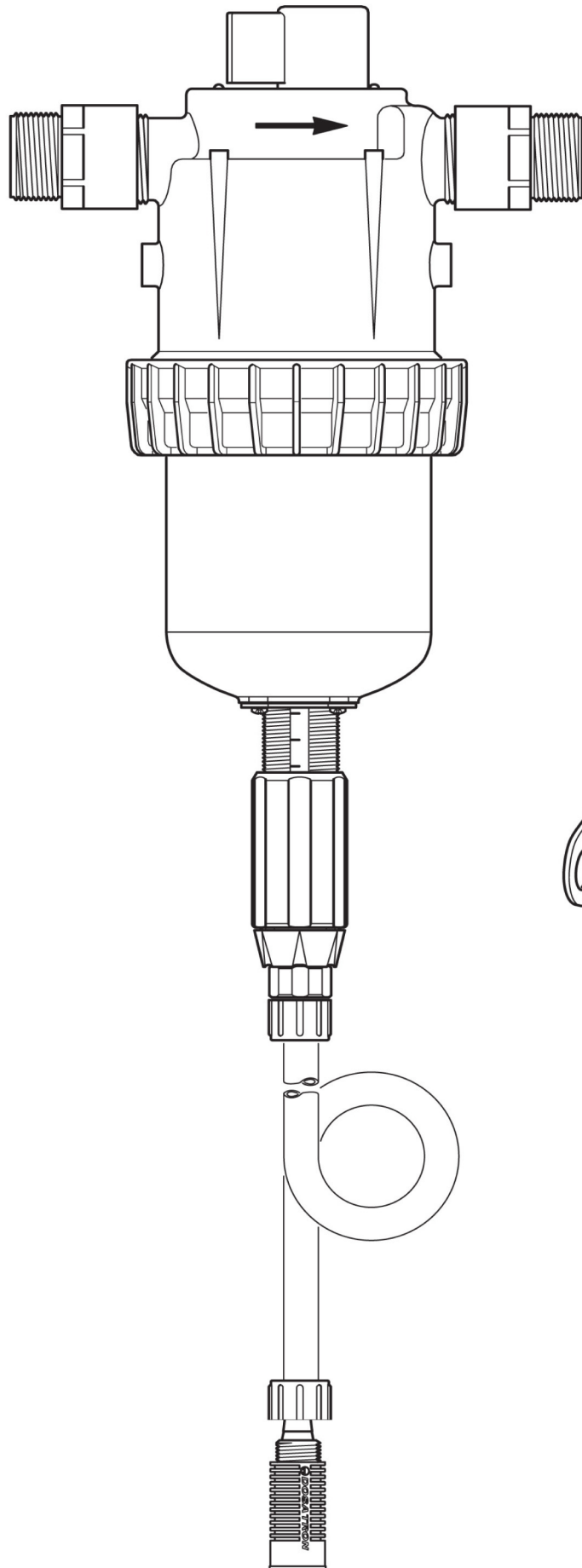
DOSATRON SALES & SERVICE - NORTH & CENTRAL AMERICA

Dosatron International, Inc.

Phone: 727-443-5404 Service: (800) 523-8499

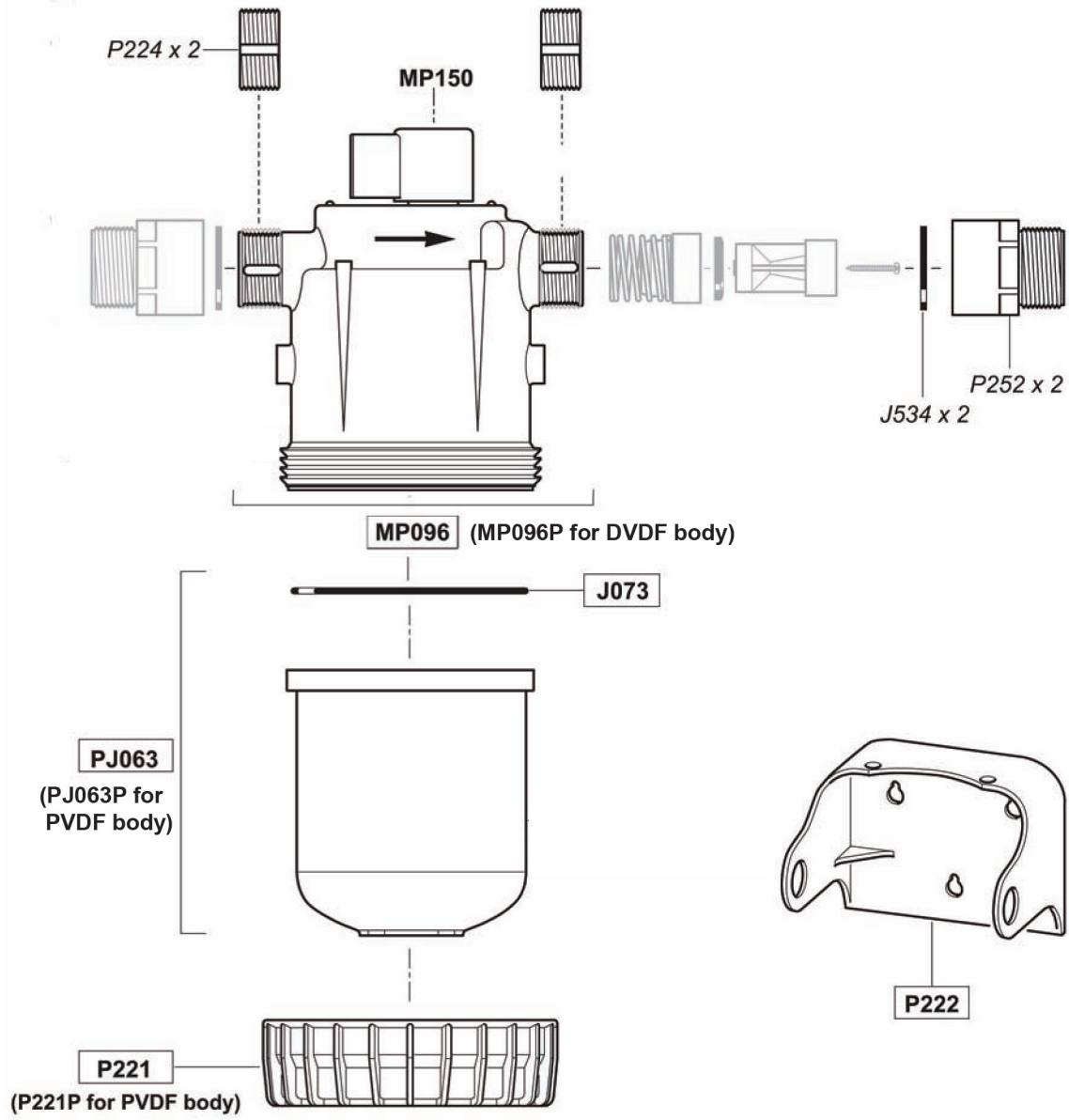
Fax: 727-447-0591

www.dosatronUSA.com



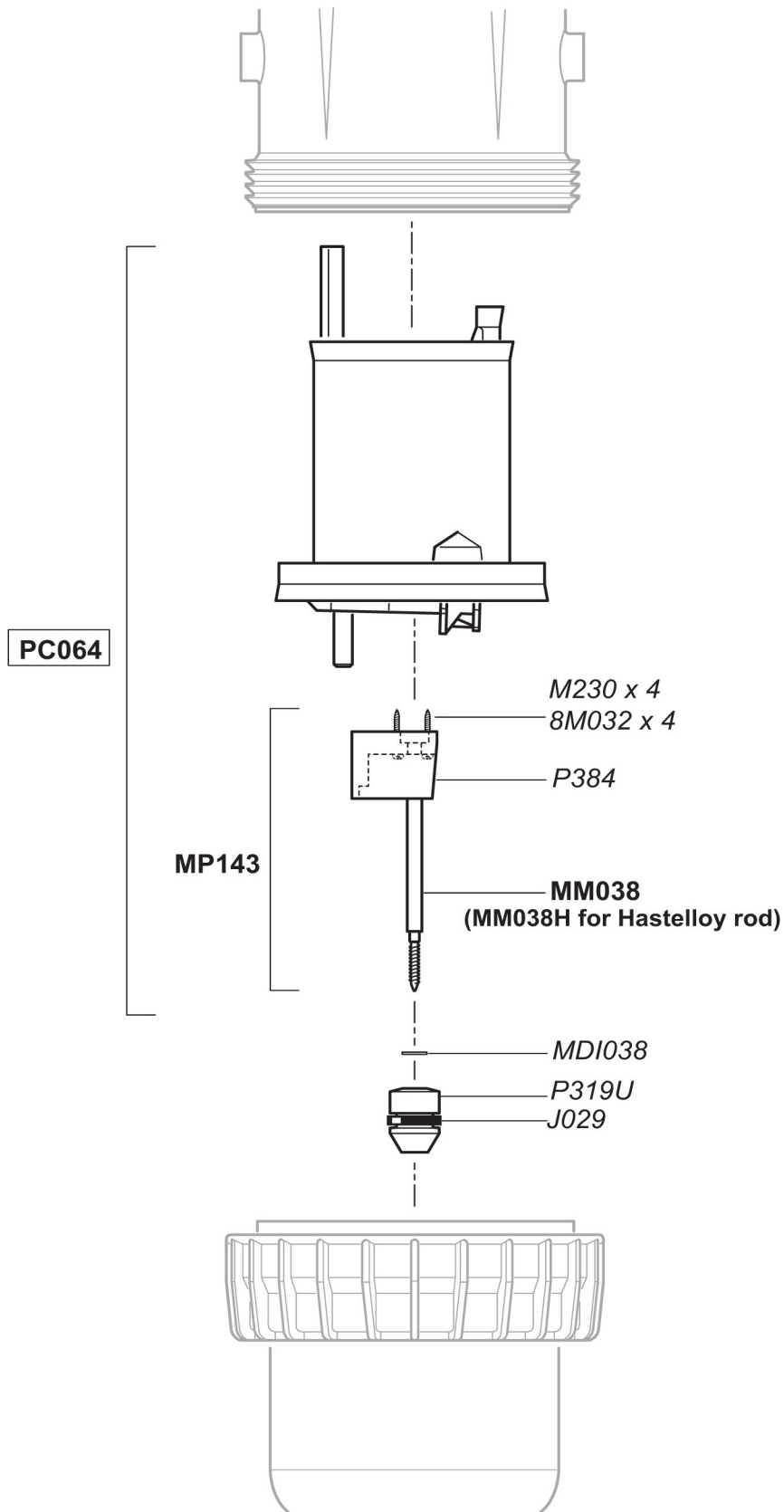
D45RE3

20 GPM - 1:200 - 1:33
7 - 70 psi



D45RE3

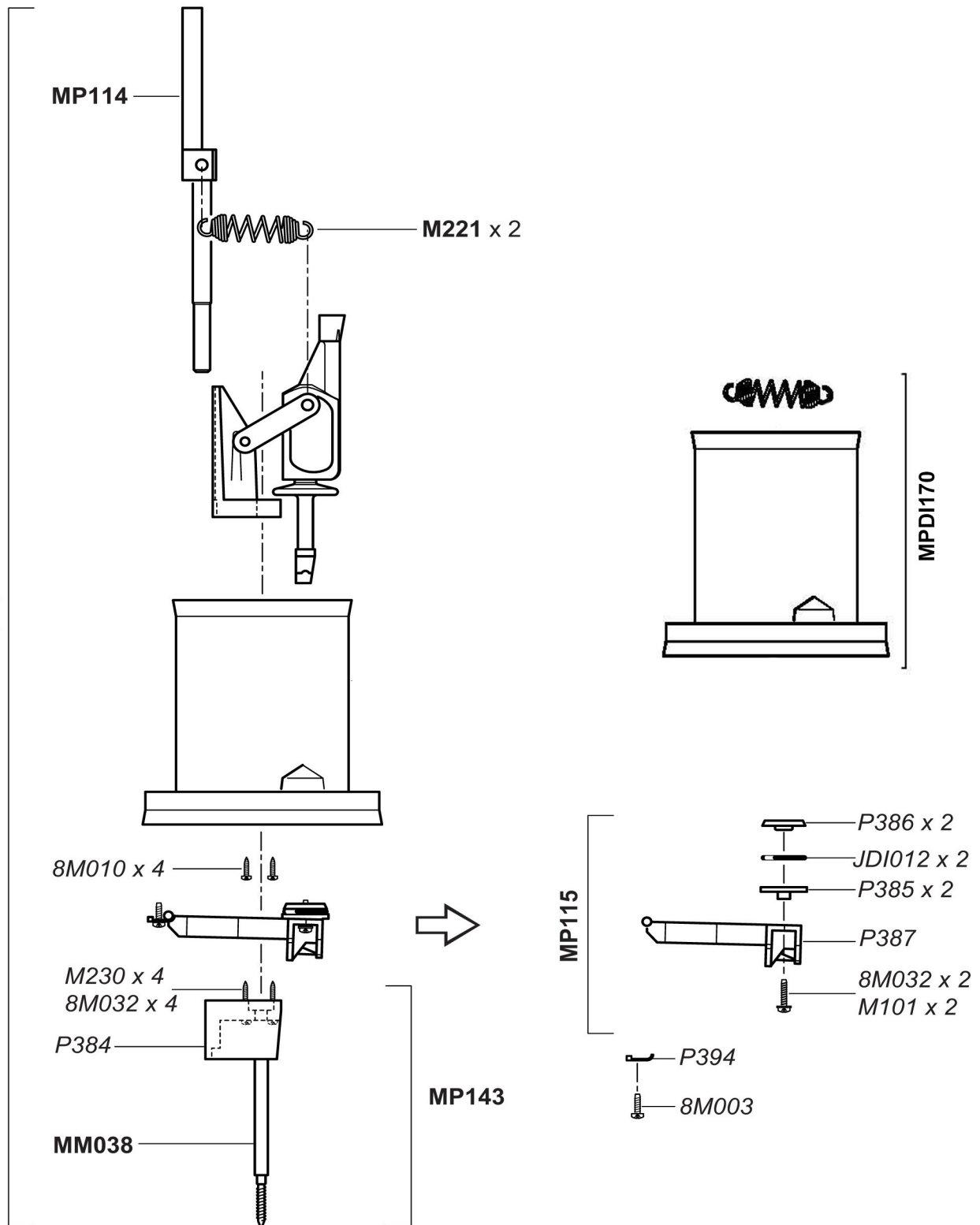
20 GPM - 1:200 - 1:33
7 - 70 psi



D45RE3

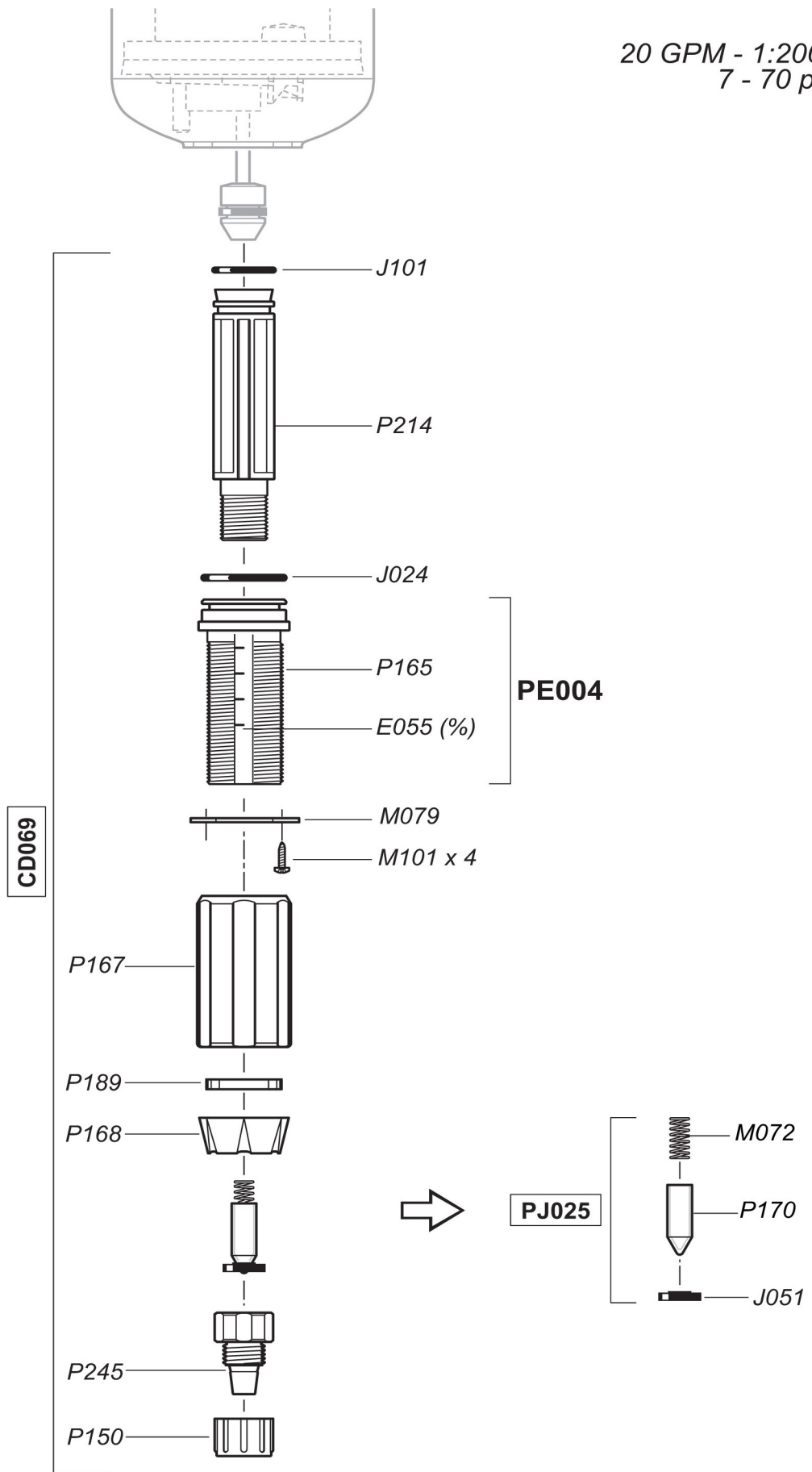
20 GPM - 1:200 - 1:33
7 - 70 psi

PC064



D45RE3

20 GPM - 1:200 - 1:33
7 - 70 psi



D45RE3

20 GPM - 1:200 - 1:33
7 - 70 psi

