



**DOSATRON®**

*WATER POWERED DOSING TECHNOLOGY*

---

# SCHEMATICS

## **Model # D8RE5 - 40 GPM**

**Dosatron Liquid Dispenser**

**1:100 – 1:20**

**2.2 - 116 PSI**

### **Suggested Installation:**

200 mesh/80 micron water filter prior to unit

One-way check valve downstream from unit for water hammer protection

### **Suggested Maintenance Interval:**

Replace injection seals every 12 months

---

#### **DOSATRON SALES & SERVICE - NORTH & CENTRAL AMERICA**

Dosatron International, Inc.

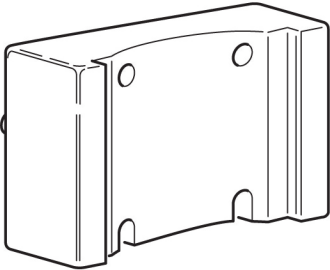
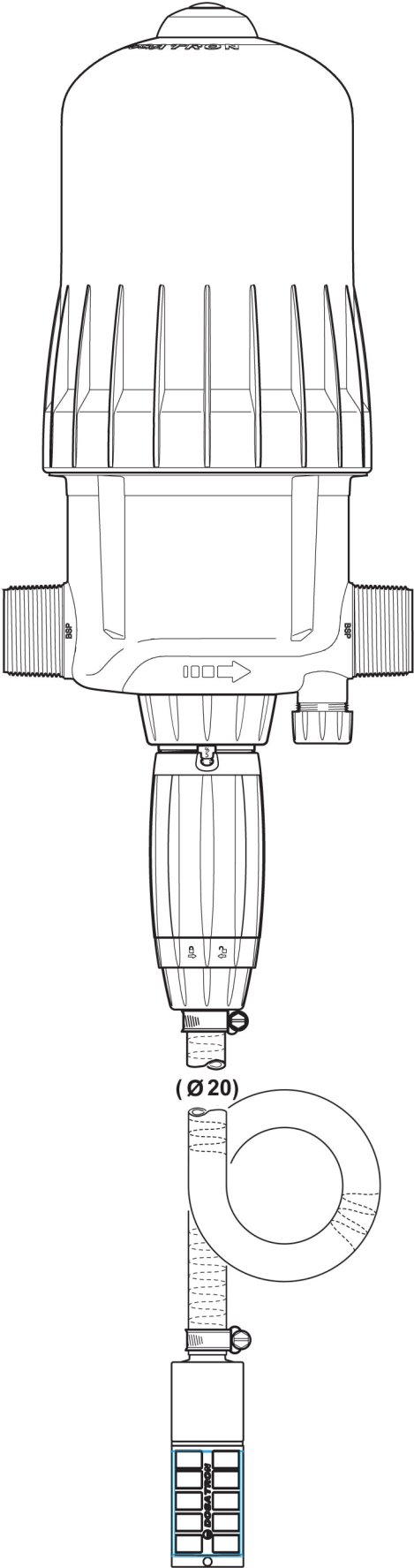
Phone: 727-443-5404 Service: (800) 523-8499

Fax: 727-447-0591

[www.dosatronUSA.com](http://www.dosatronUSA.com)

# D8RE5

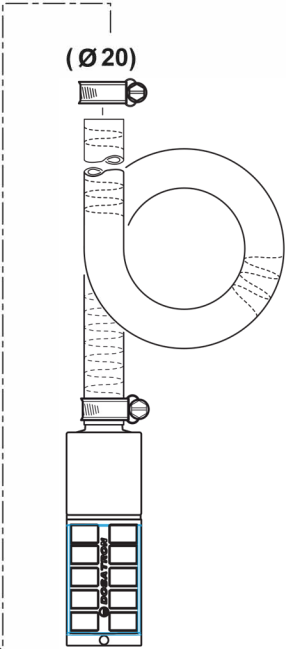
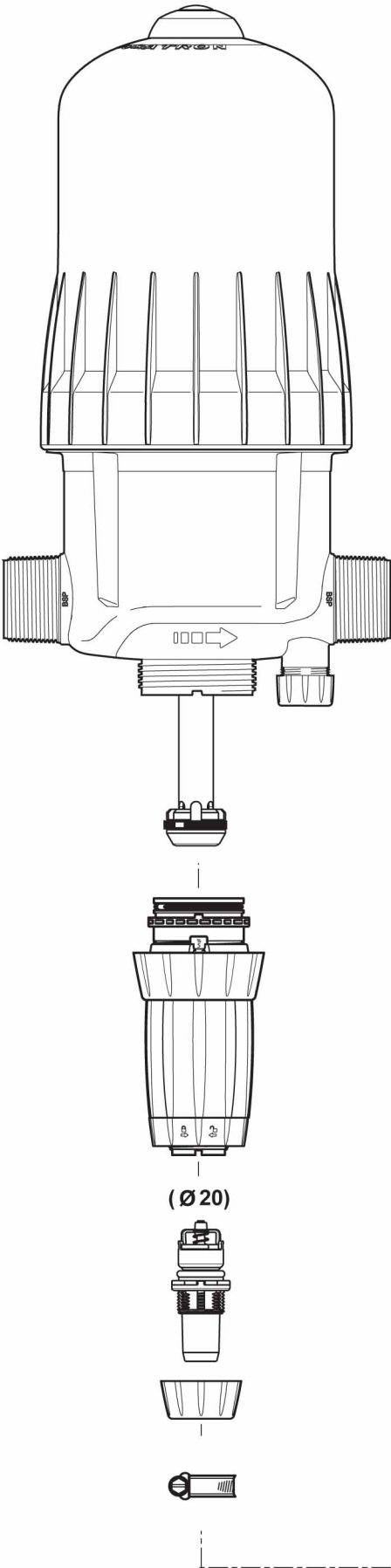
8 m<sup>3</sup>/h - 1 - 5%  
40 GPM - 1:100 - 1:20  
0.15 - 8 bar  
2.2 - 116 psi



D8RE5 Seal Kit: PJDI122

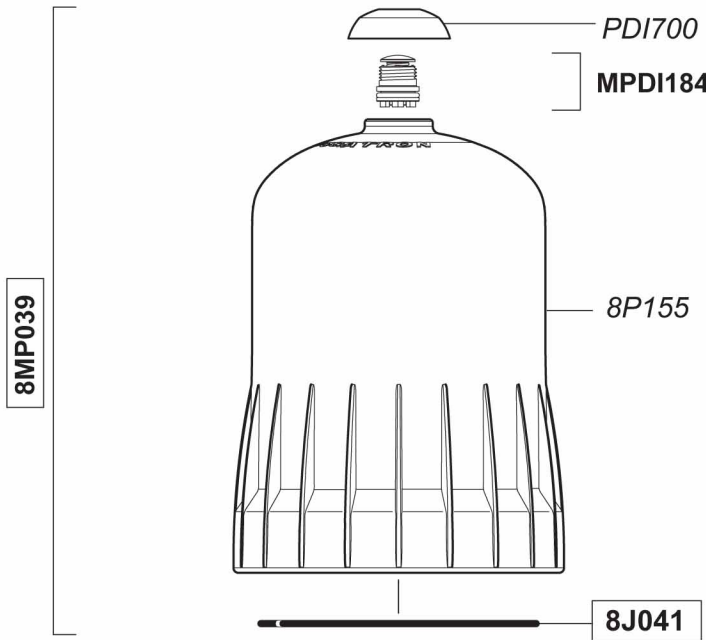
# D8RE5

8 m<sup>3</sup>/h - 1 - 5%  
40 GPM - 1:100 - 1:20  
0.15 - 8 bar  
2.2 - 116 psi

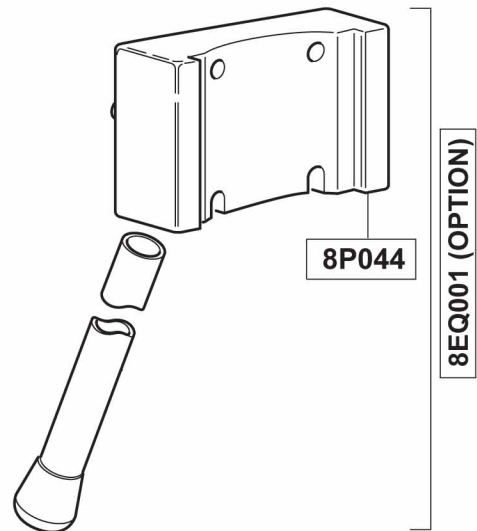
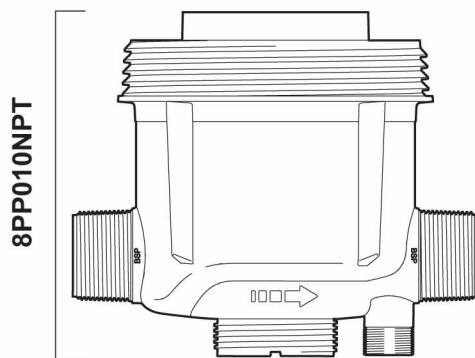
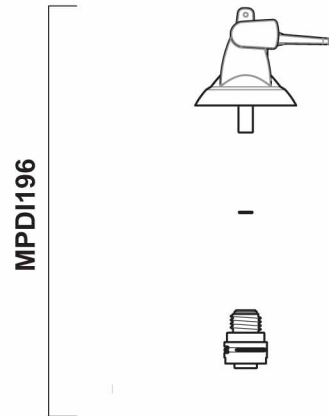


# D8RE5

8 m³/h - 1 - 5%  
 40 GPM - 1:100 - 1:20  
 0.15 - 8 bar  
 2.2 - 116 psi

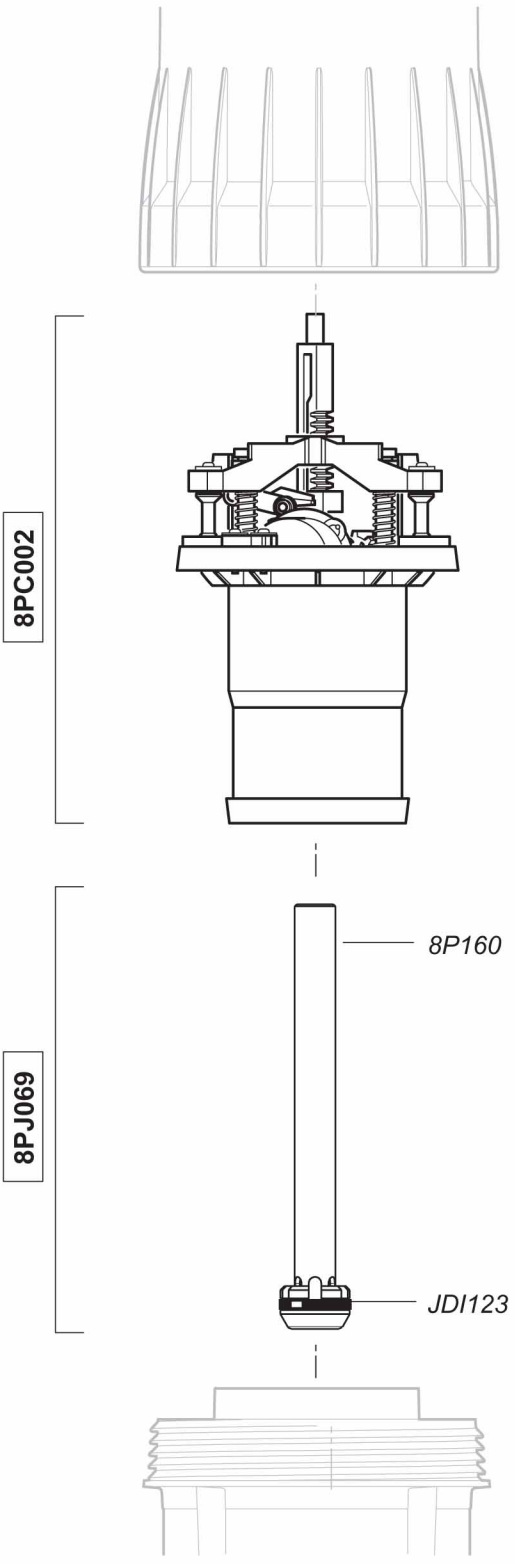


## Option



# D8RE5

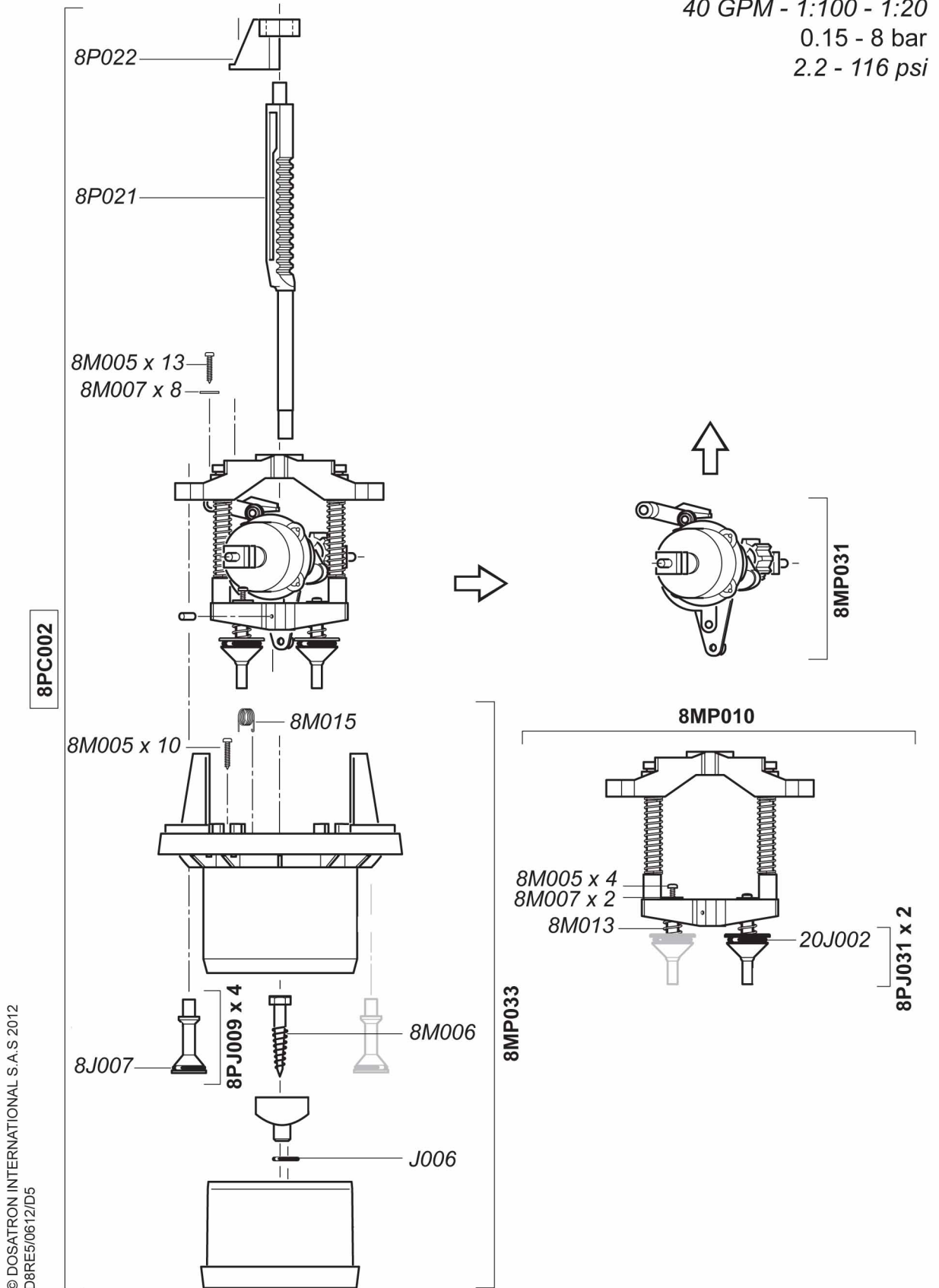
8 m<sup>3</sup>/h - 1 - 5%  
40 GPM - 1:100 - 1:20  
0.15 - 8 bar  
2.2 - 116 psi



© DOSATRON INTERNATIONAL S.A.S 2012  
D8RE5/0612/D4

# D8RE5

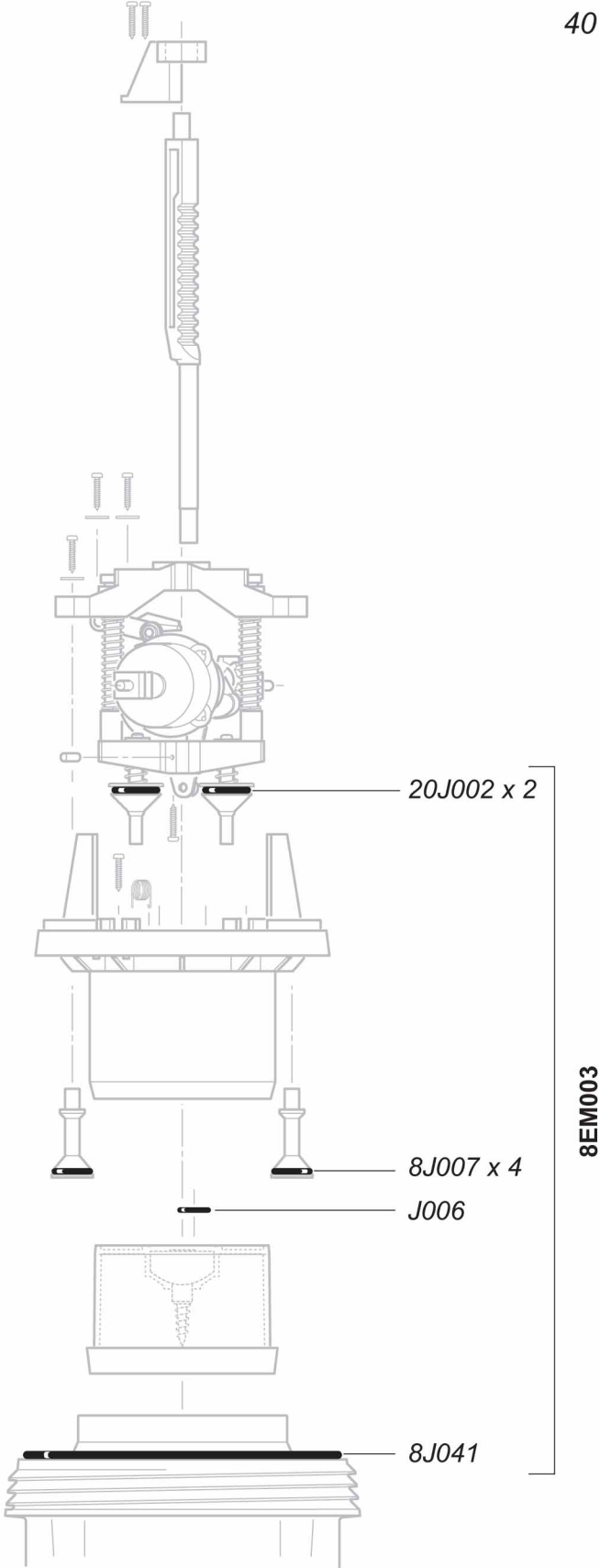
8 m<sup>3</sup>/h - 1 - 5%  
 40 GPM - 1:100 - 1:20  
 0.15 - 8 bar  
 2.2 - 116 psi



© DOSATRON INTERNATIONAL S.A.S 2012  
 D8RE5/0612/D5

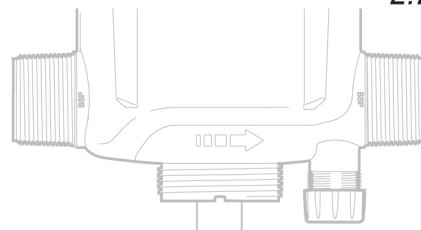
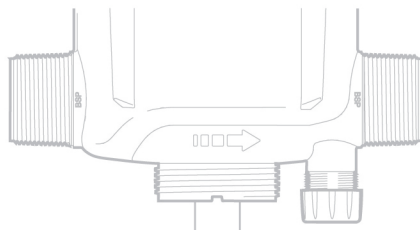
# D8RE5

8 m<sup>3</sup>/h - 1 - 5%  
40 GPM - 1:100 - 1:20  
0.15 - 8 bar  
2.2 - 116 psi



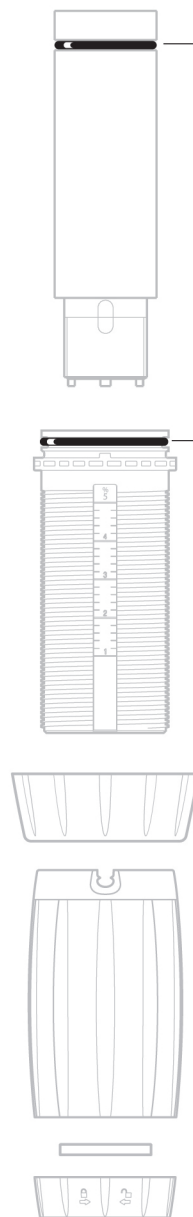
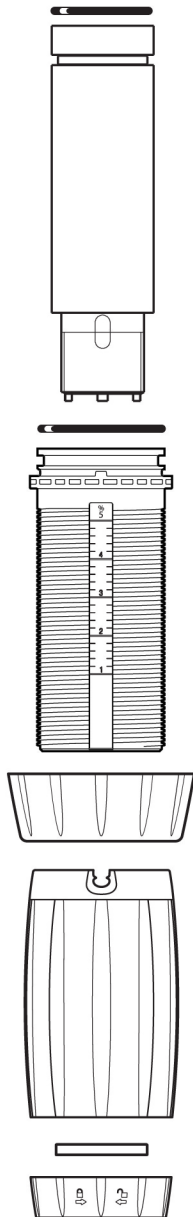
# D8RE5

8 m<sup>3</sup>/h - 1 - 5%  
 40 GPM - 1:100 - 1:20  
 0.15 - 8 bar  
 2.2 - 116 psi



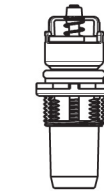
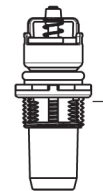
8CD034

PJDI122V



(Ø 20)

(Ø 20)



PJD118

PJD118



PDI747



20M046



# D8RE5

8 m<sup>3</sup>/h - 1 - 5%  
40 GPM - 1:100 - 1:20  
0.15 - 8 bar  
2.2 - 116 psi

