



DOSATRON®

WATER POWERED DOSING TECHNOLOGY

SCHEMATICS

Dosatron Liquid Dispenser
Model # D45RE3000 – 20 GPM
1:3000 – 1:1000
7 – 70 PSI

Suggested Installation:

200 mesh/80 micron water filter prior to unit

One-way check valve downstream from unit for water hammer protection

Suggested Maintenance Interval:

Replace injection seals every 12 months

DOSATRON SALES & SERVICE - NORTH & CENTRAL AMERICA

Dosatron International, Inc.

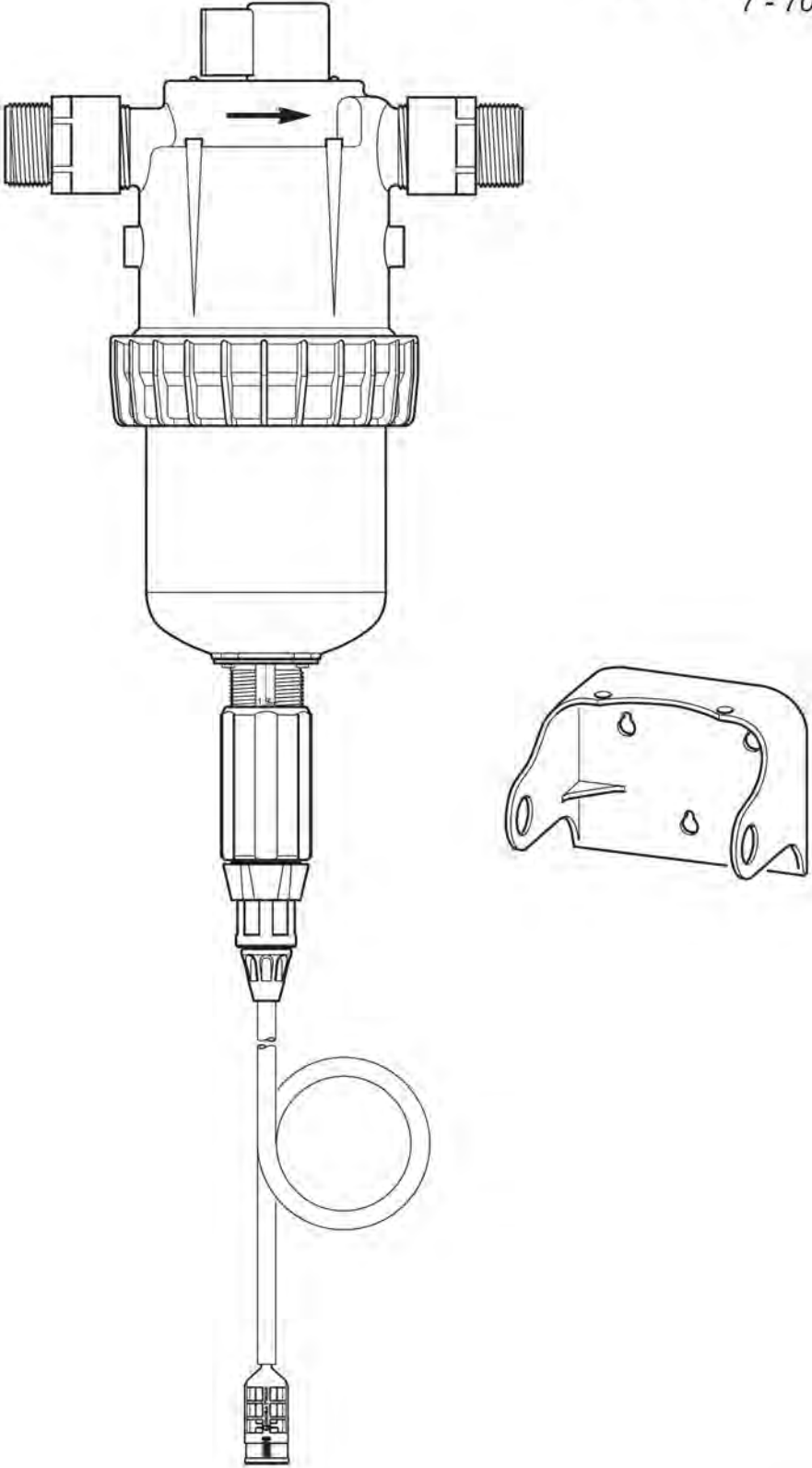
Phone: 727-443-5404 Service: (800) 523-8499

Fax: 727-447-0591

www.dosatronUSA.com

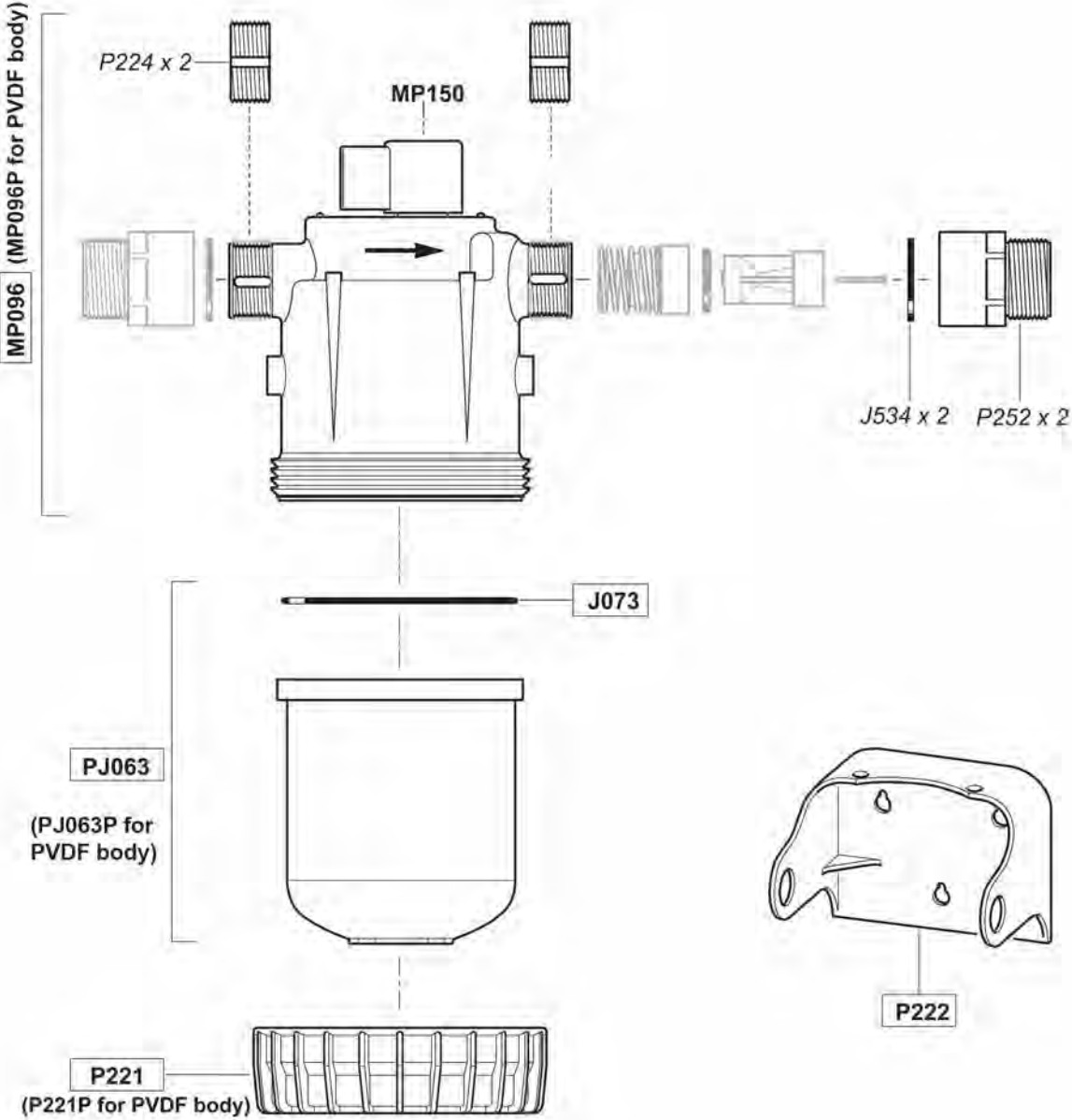
D45RE3000

20 GPM - 1:3000 - 1:1000
7 - 70 psi



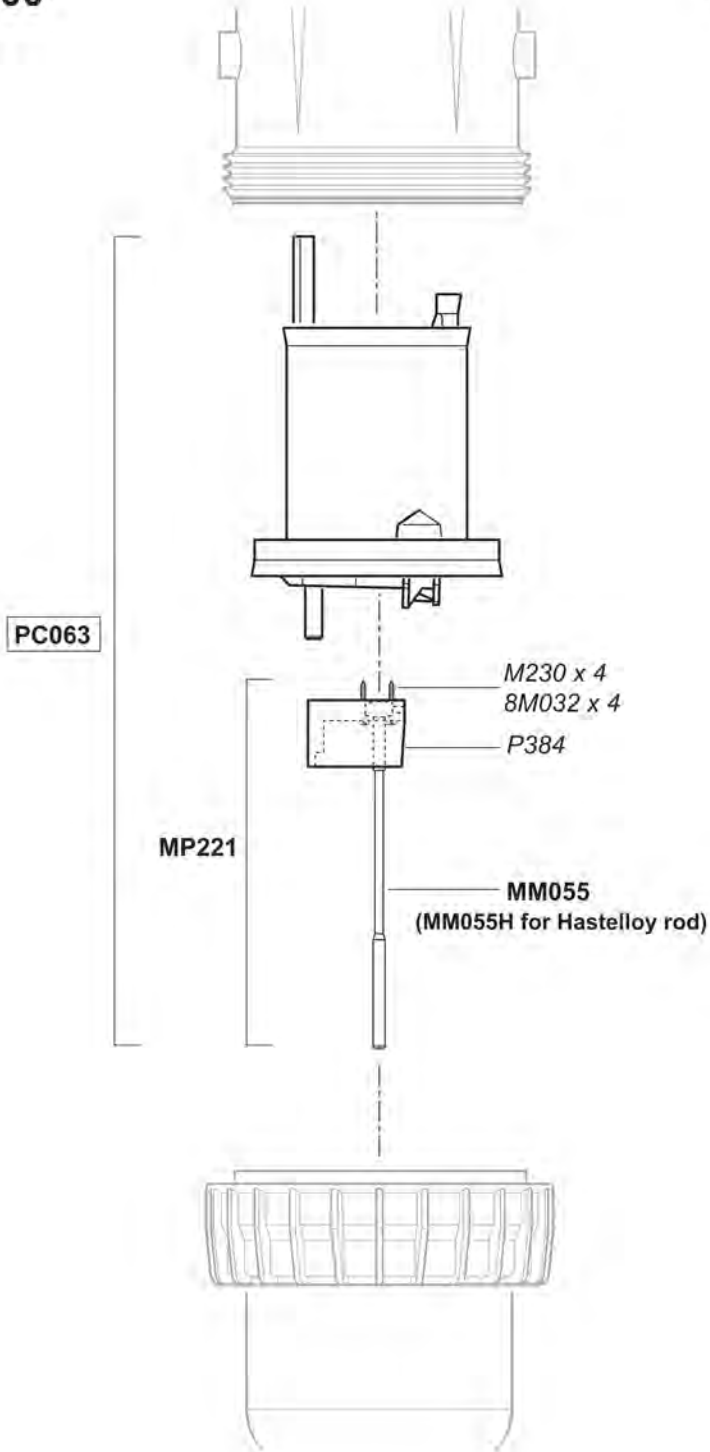
D45RE3000

20 GPM - 1:3000 - 1:1000
7 - 70 psi



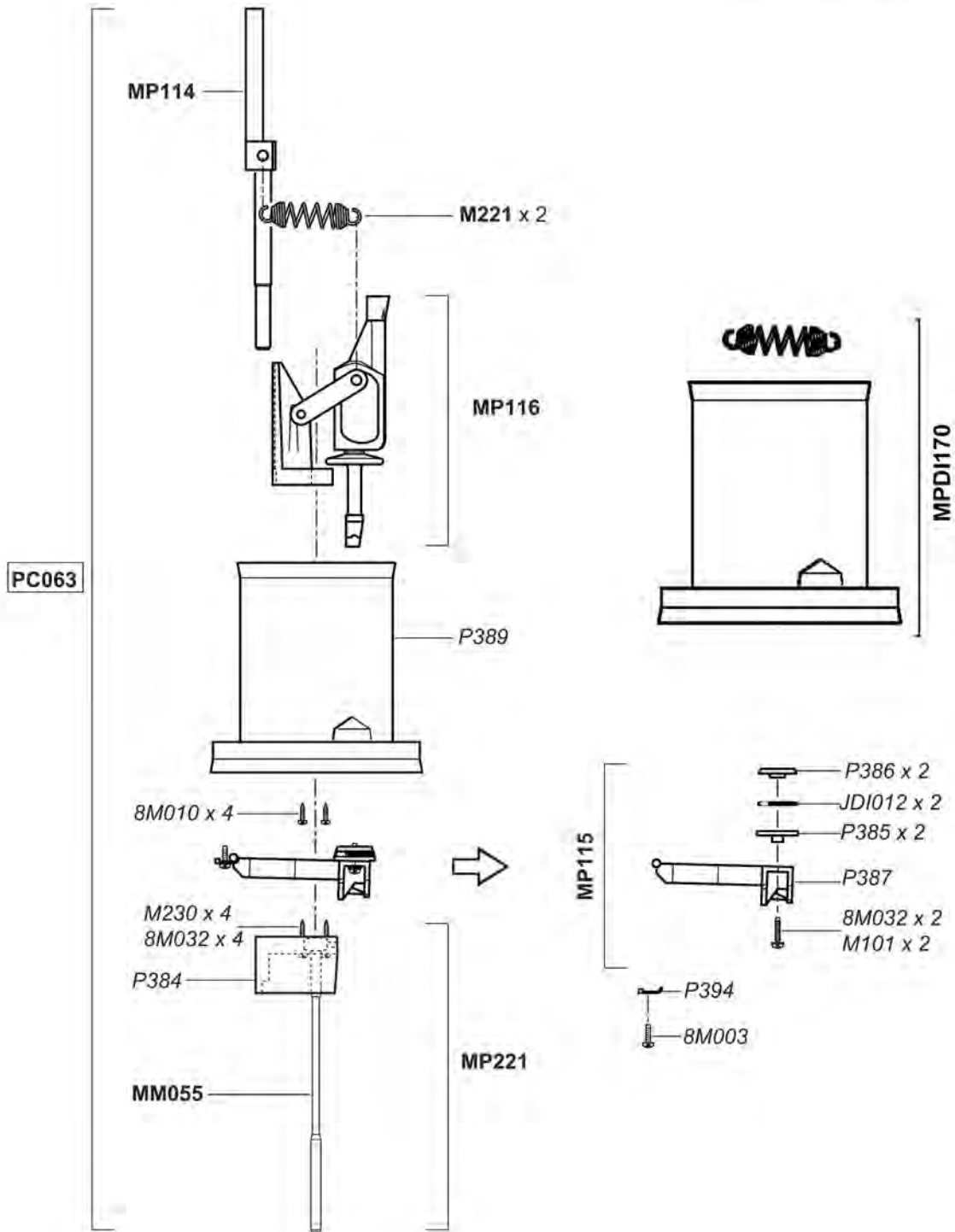
D45RE3000

20 GPM - 1:3000 - 1:1000
7 - 70 psi



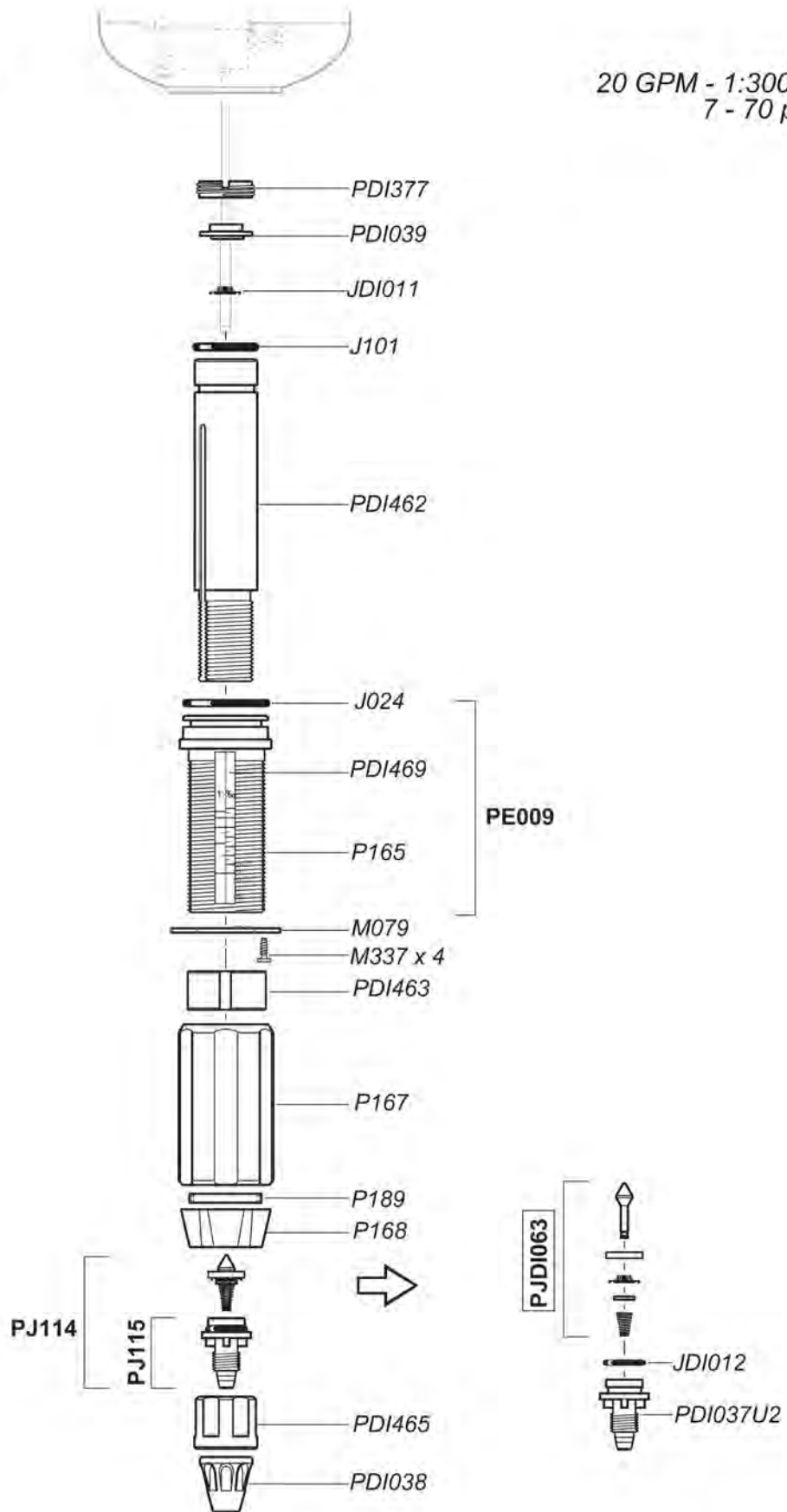
D45RE3000

20 GPM - 1:3000 - 1:1000
7 - 70 psi



D45RE3000

20 GPM - 1:3000 - 1:1000
7 - 70 psi



D45RE3000

20 GPM - 1:3000 - 1:1000
7 - 70 psi

