



DOSATRON®

WATER POWERED DOSING TECHNOLOGY

SCHEMATICS

Dosatron Liquid Dispenser
Model # D25RE1500-D - 11 GPM
Vehicle Wash
1:1500 – 1:500
4.3 – 85 PSI
¾" NPT connection

Suggested Installation:

200 mesh/80 micron water filter prior to unit

One-way check valve downstream from unit for water hammer protection

Suggested Maintenance Interval:

Replace injection seals every 12 months

DOSATRON SALES & SERVICE - NORTH & CENTRAL AMERICA

Dosatron International, Inc.

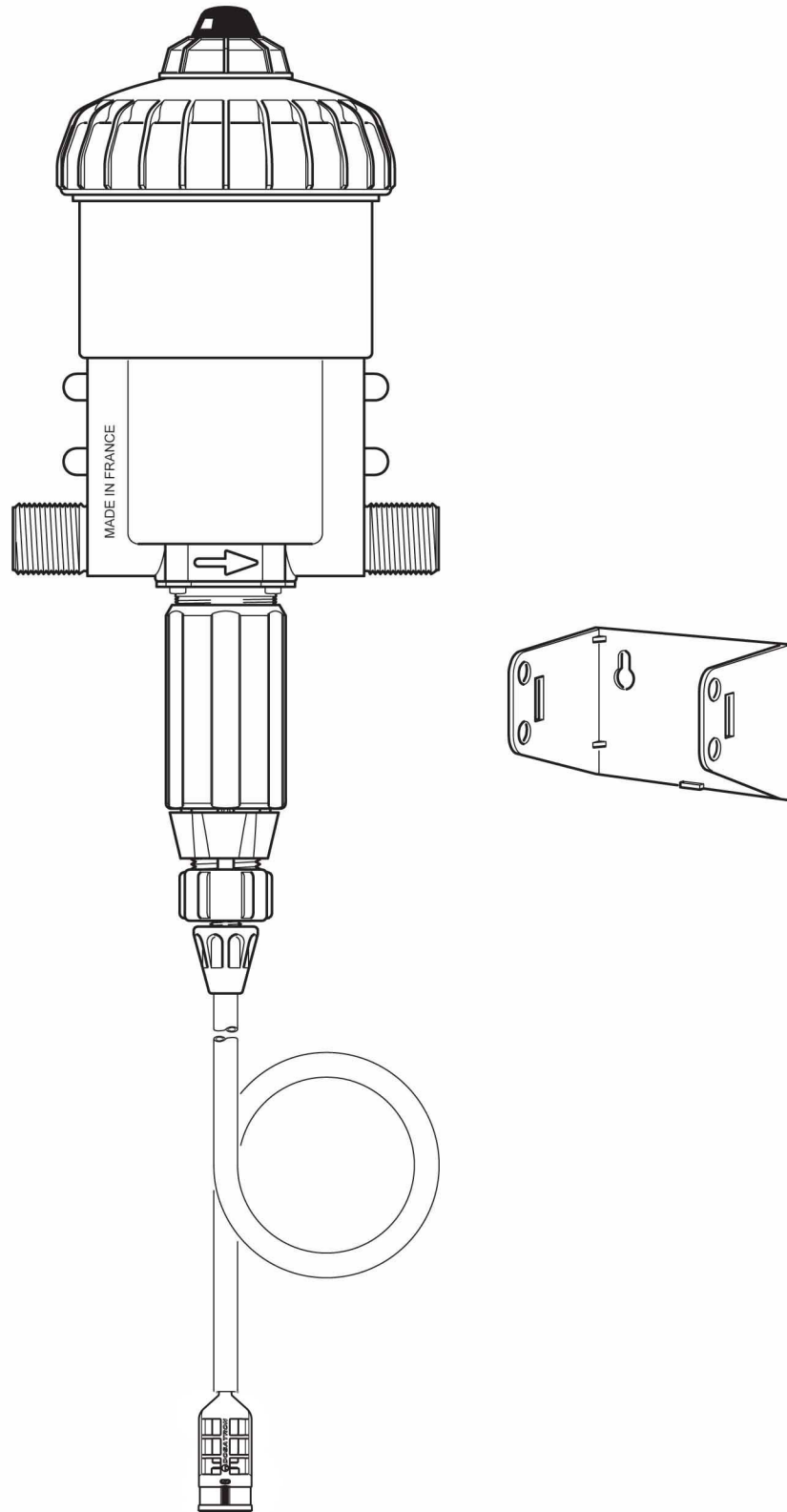
Phone: 727-443-5404 Service: (800) 523-8499

Fax: 727-447-0591

www.dosatronUSA.com

D25RE1500-D Vehicle Wash

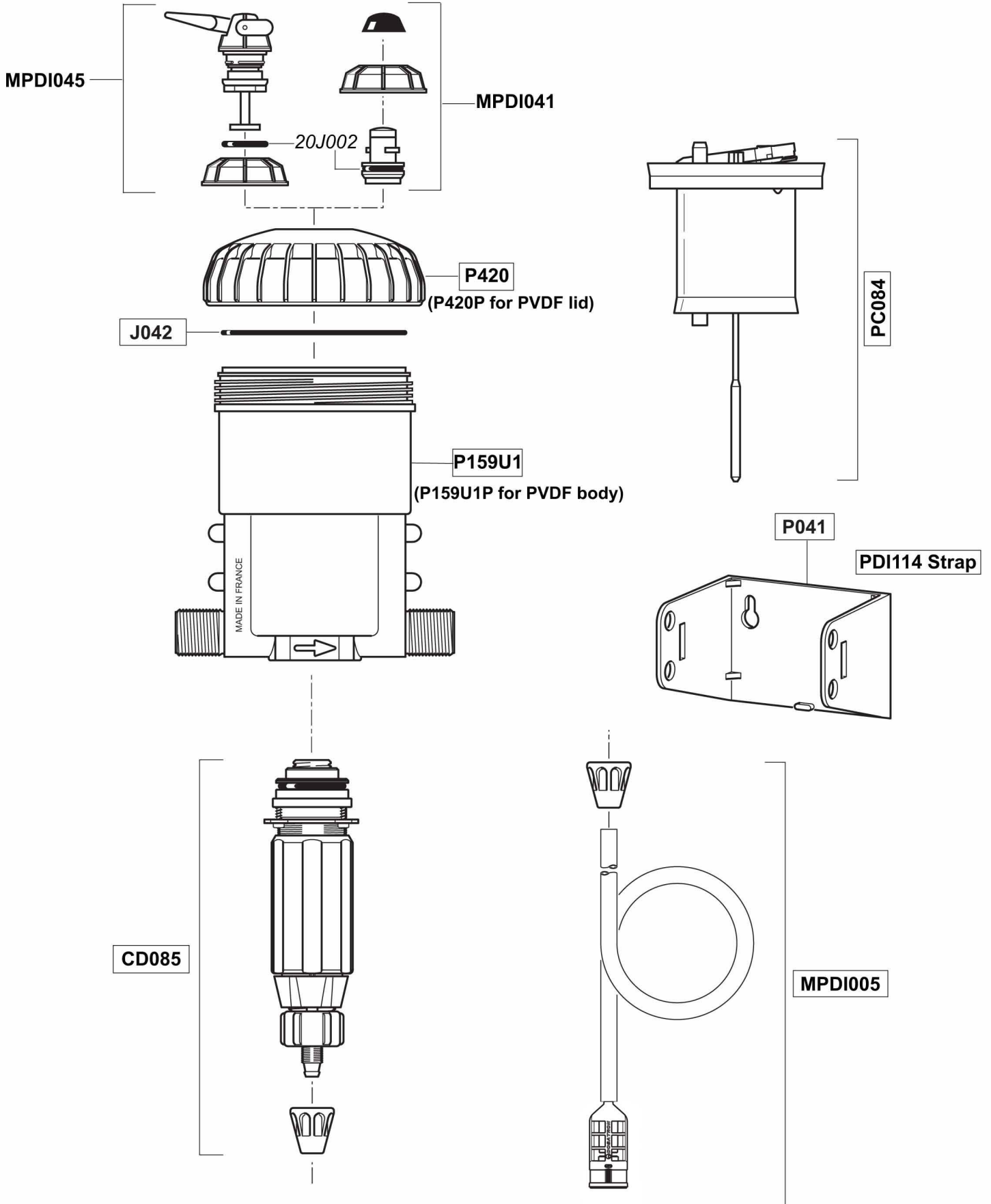
11 GPM - 1:1500 - 1:500
4.3 - 85 psi



D25RE1500-D Vehicle Wash

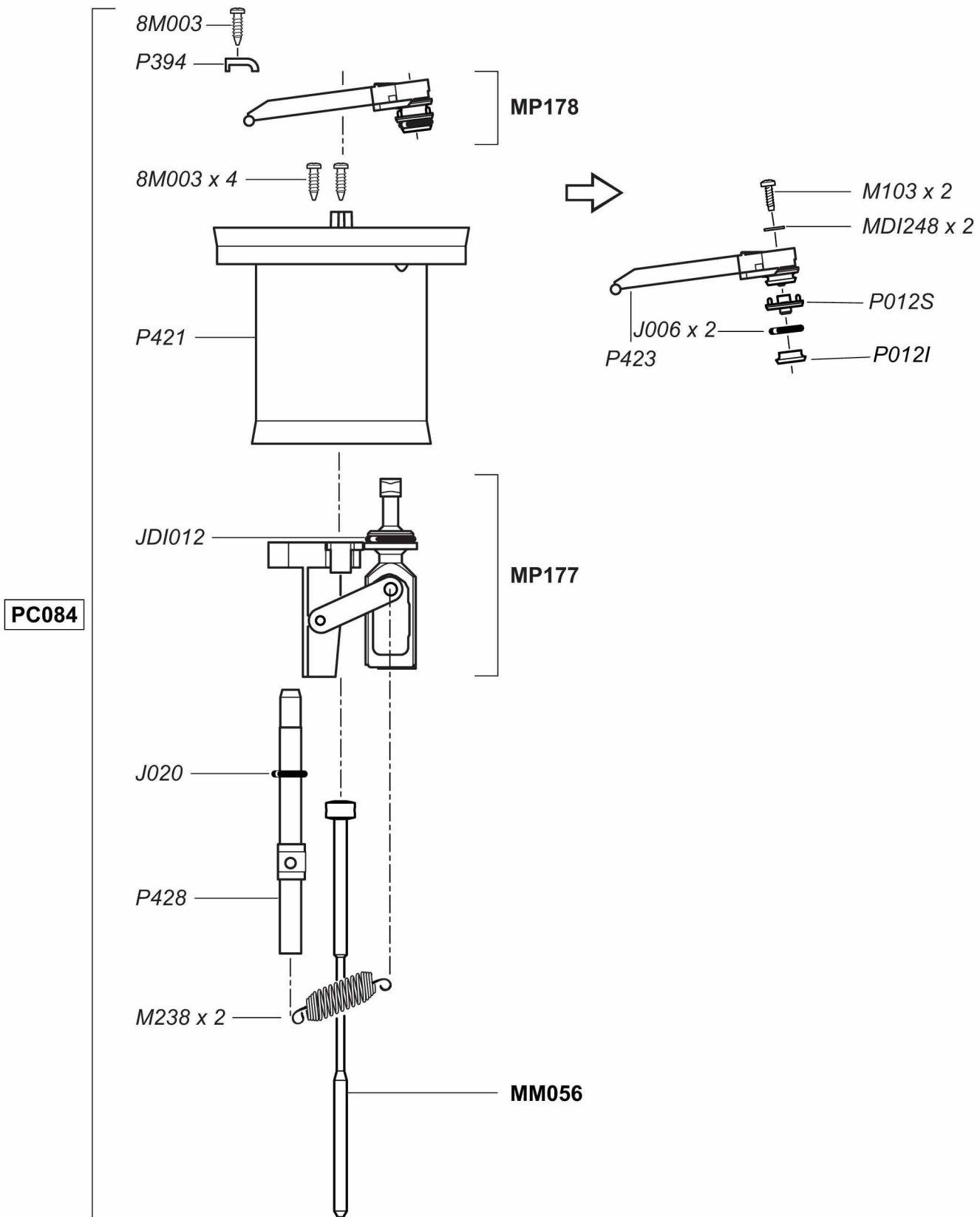
11 GPM - 1:1500 - 1:500

4.3 - 85 psi



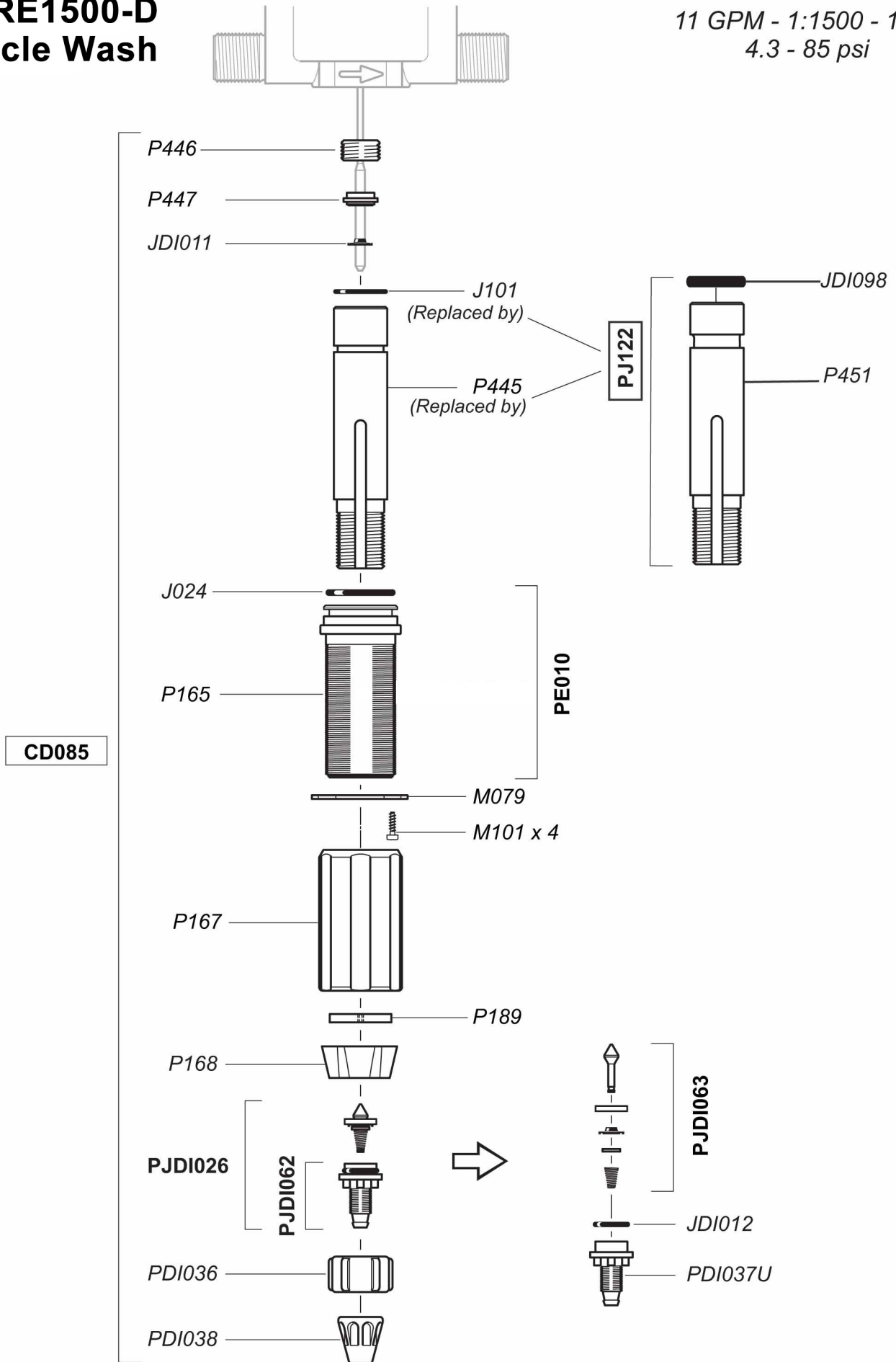
D25RE1500-D Vehicle Wash

11 GPM - 1:1500 - 1:500
4.3 - 85 psi



D25RE1500-D Vehicle Wash

11 GPM - 1:1500 - 1:500
4.3 - 85 psi



D25RE1500-D Vehicle Wash

11 GPM - 1:1500 - 1:500
4.3 - 85 psi

