



DOSATRON®

WATER POWERED DOSING TECHNOLOGY

SCHEMATICS

Dosatron Liquid Dispenser
Model # D14MZ5-D - 14 GPM
Vehicle Wash

1:200 - 1:20

4.3 – 85 PSI

$\frac{3}{4}$ " NPT connection

Suggested Installation:

200 mesh/80 micron water filter prior to unit

One-way check valve downstream from unit for water hammer protection

Suggested Maintenance Interval:

Replace injection seals every 12 months

DOSATRON SALES & SERVICE - NORTH & CENTRAL AMERICA

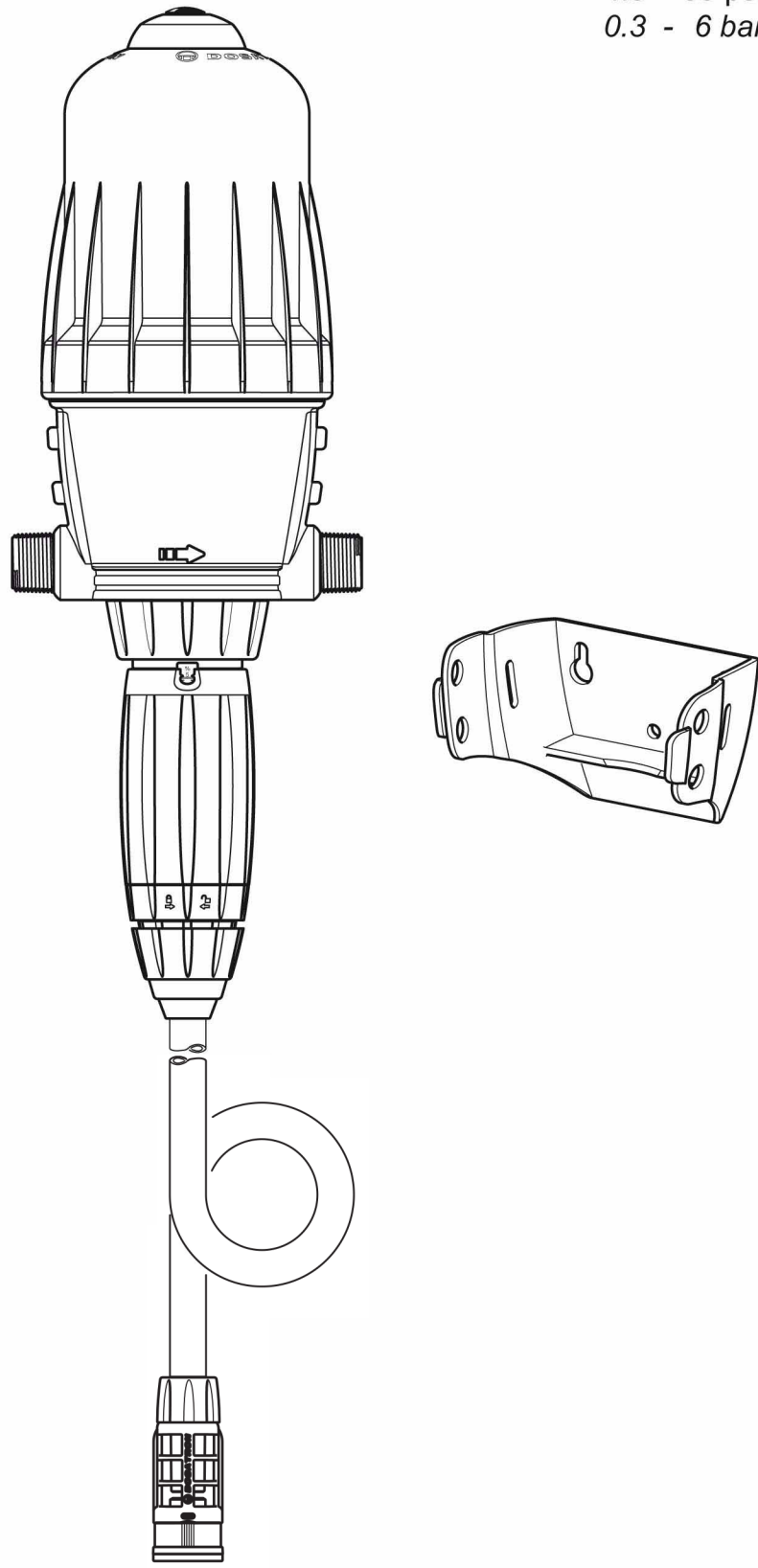
Dosatron International, Inc.

Phone: 727-443-5404 Service: (800) 523-8499

Fax: 727-447-0591

www.dosatronUSA.com

14 GPM - 1:200 - 1:20
3 m³/h - 0.5 - 5 %
4.3 - 85 psi
0.3 - 6 bar



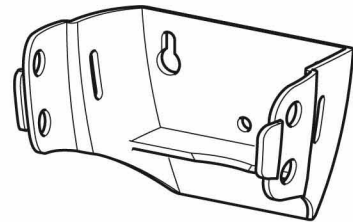
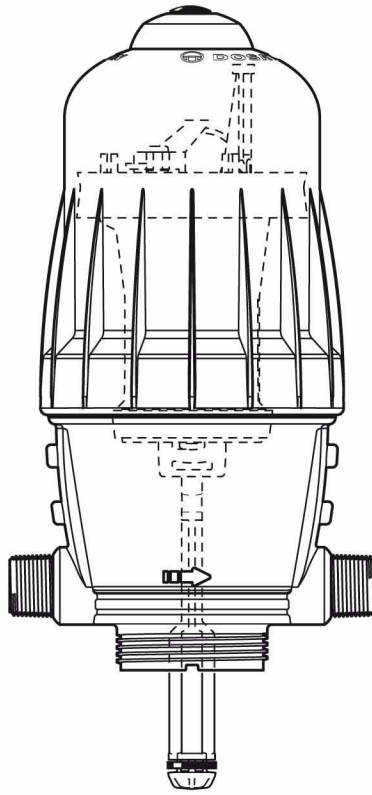
PJDI120 - Injection Seal Kit

PJDI120VVF - Injection Seal Kit for Viscous Hose

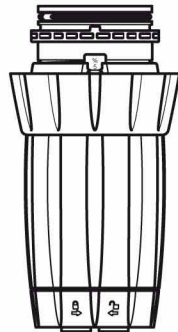
D14MZ5-D
Vehicle Wash

14 GPM - 1:200 - 1:20
3 m³/h - 0.5 - 5 %
4.3 - 85 psi
0.3 - 6 bar

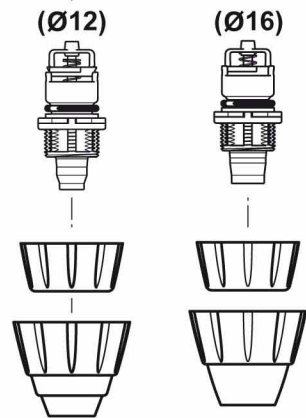
C+M



A

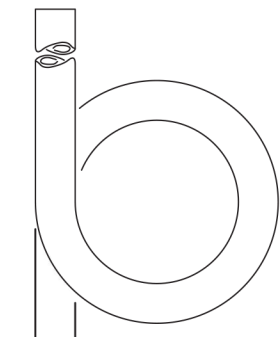
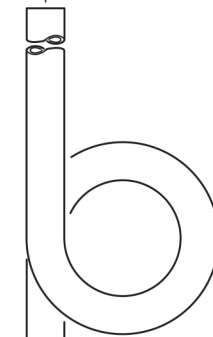


D



(Ø12)

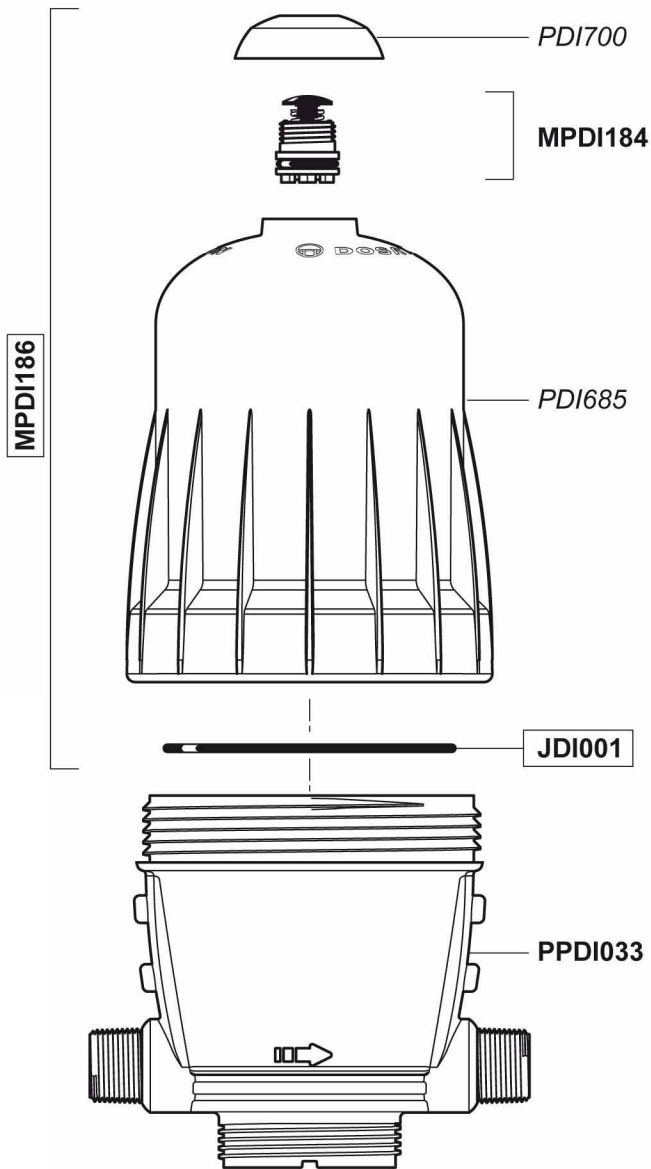
(Ø16)



Option "V"

**D14MZ5-D
Vehicle Wash**

14 GPM - 1:200 - 1:20
3 m³/h - 0.5 - 5 %
4.3 - 85 psi
0.3 - 6 bar

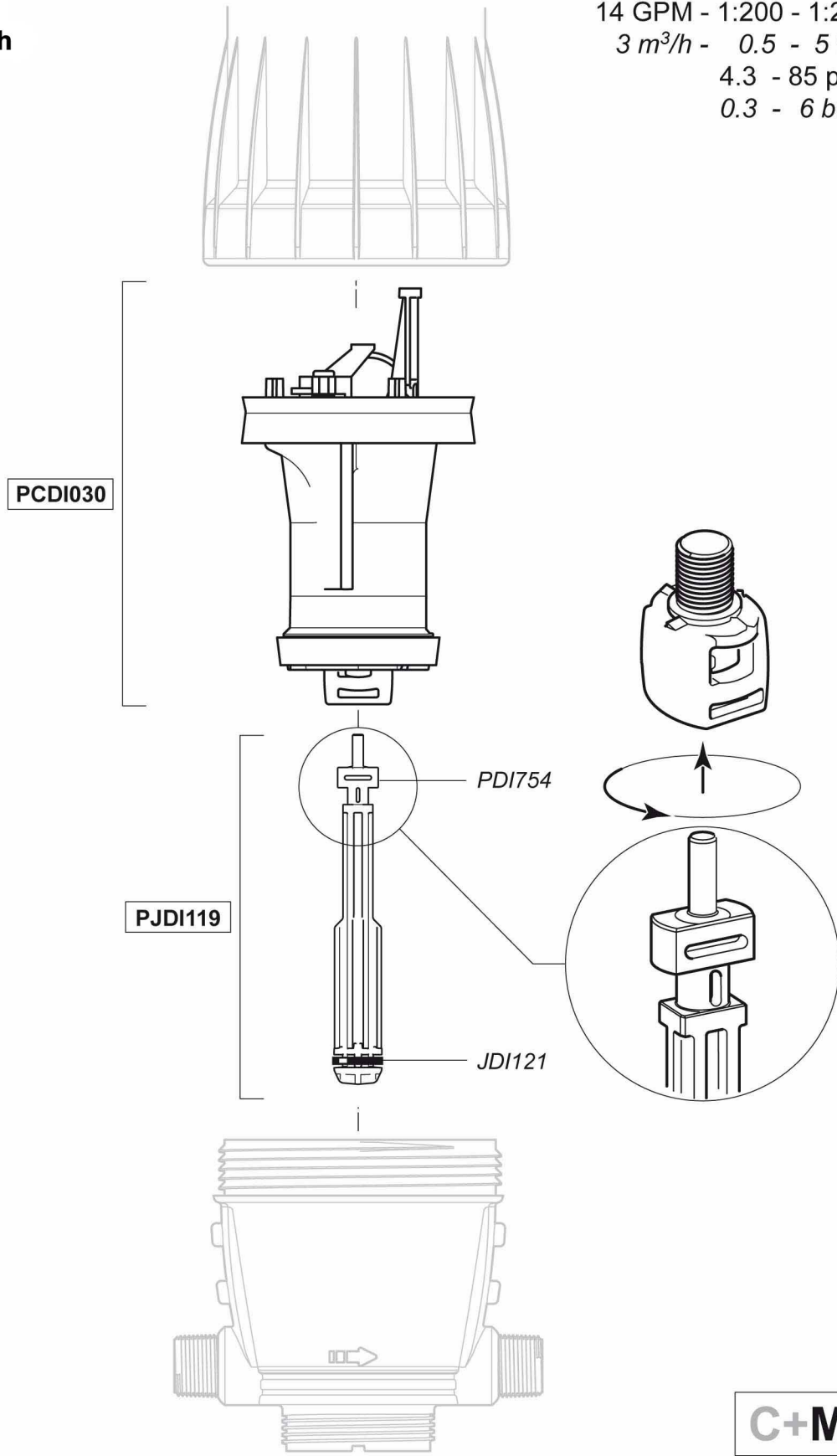


Option



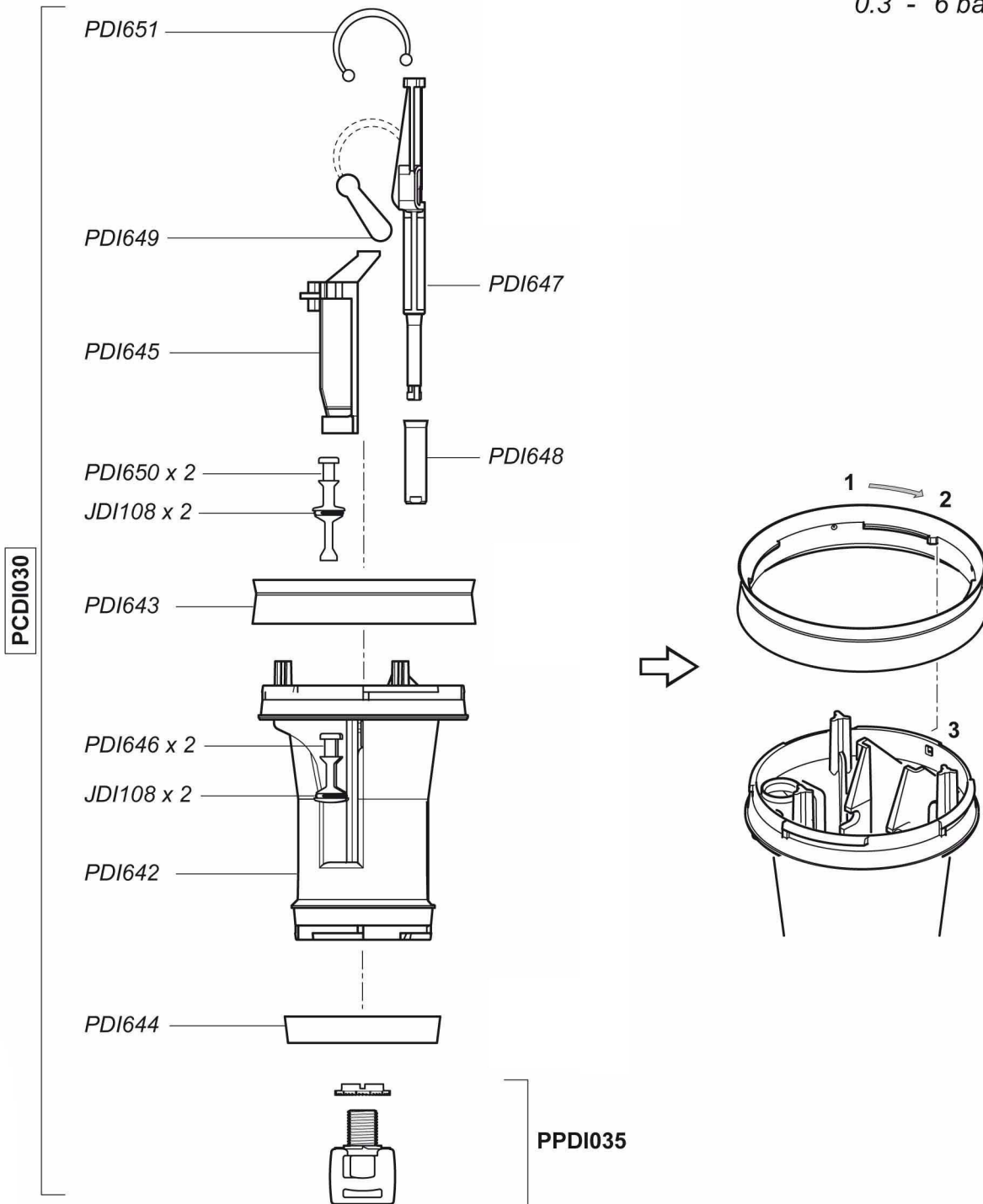
**D14MZ5-D
Vehicle Wash**

14 GPM - 1:200 - 1:20
3 m³/h - 0.5 - 5 %
4.3 - 85 psi
0.3 - 6 bar



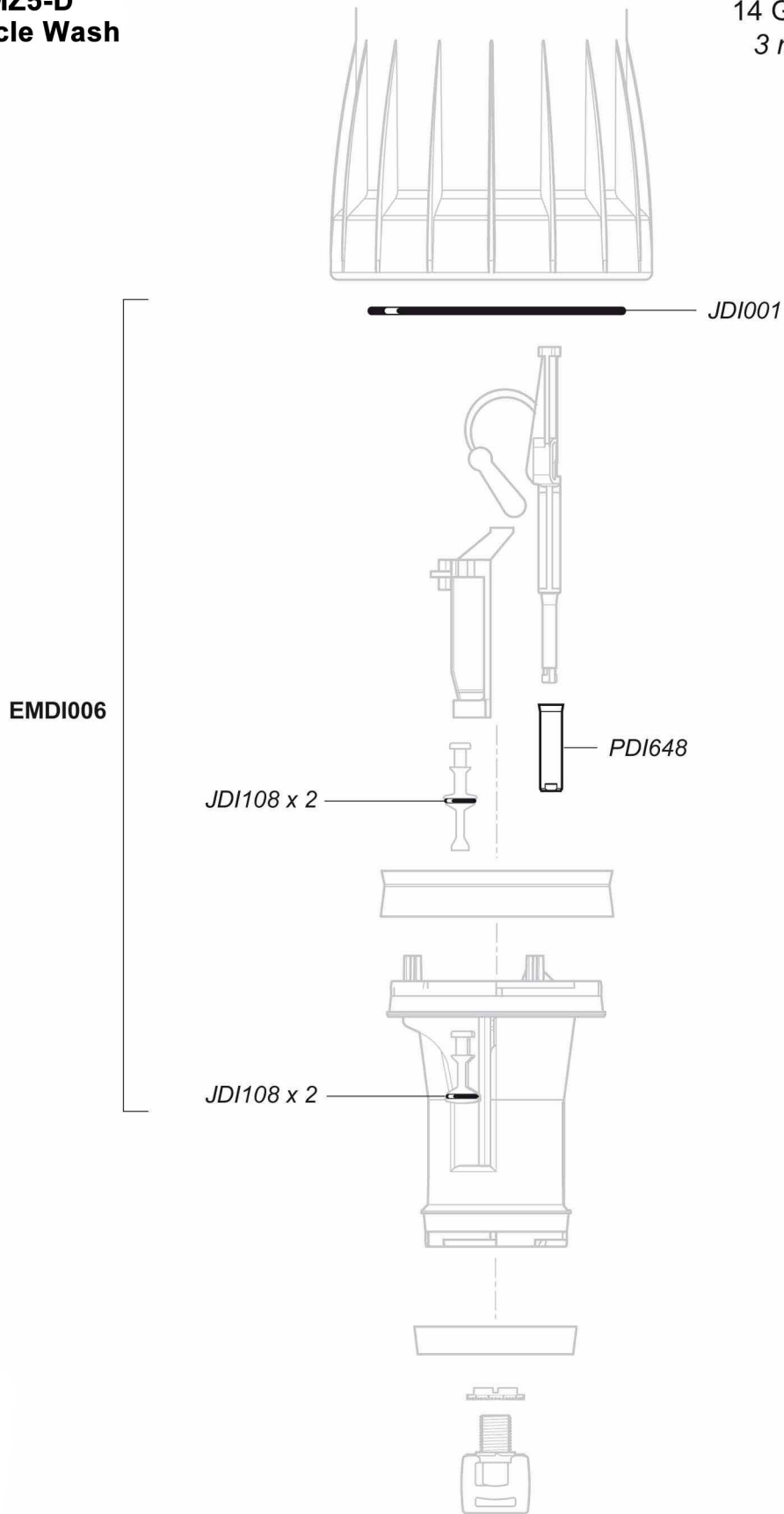
D14MZ5-D
Vehicle Wash

14 GPM - 1:200 - 1:20
 3 m³/h - 0.5 - 5 %
 4.3 - 85 psi
 0.3 - 6 bar



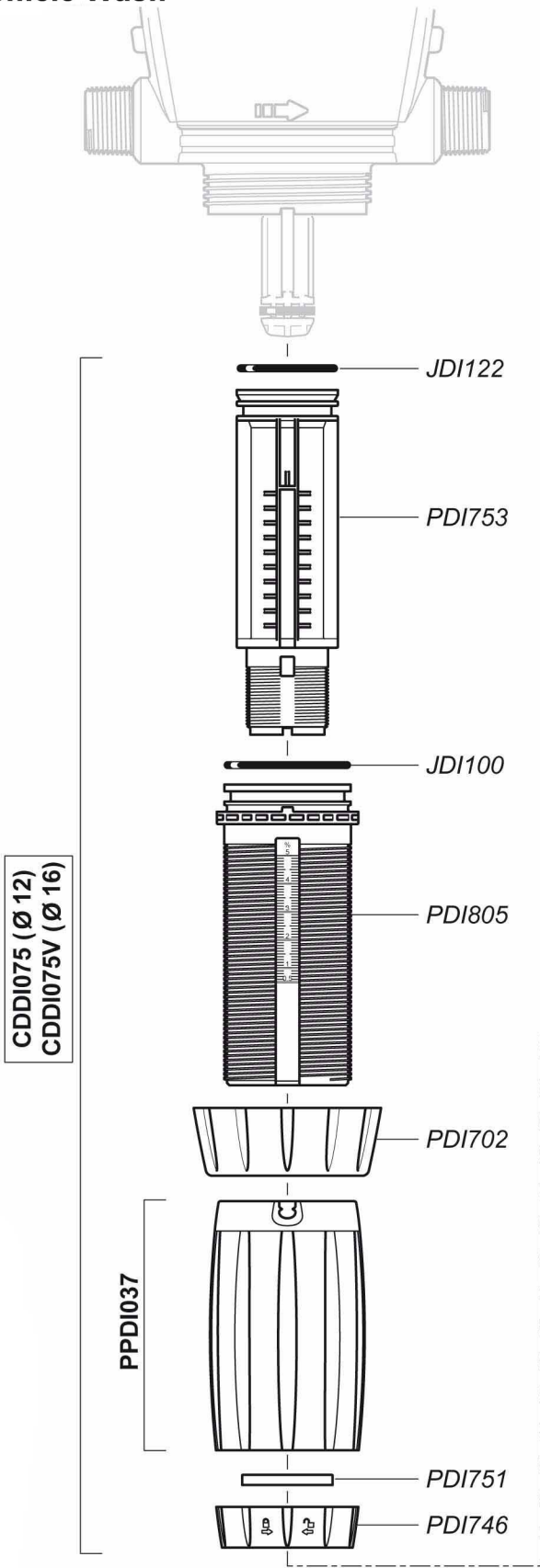
**D14MZ5-D
Vehicle Wash**

14 GPM - 1:200 - 1:20
3 m³/h - 0.5 - 5 %
4.3 - 85 psi
0.3 - 6 bar

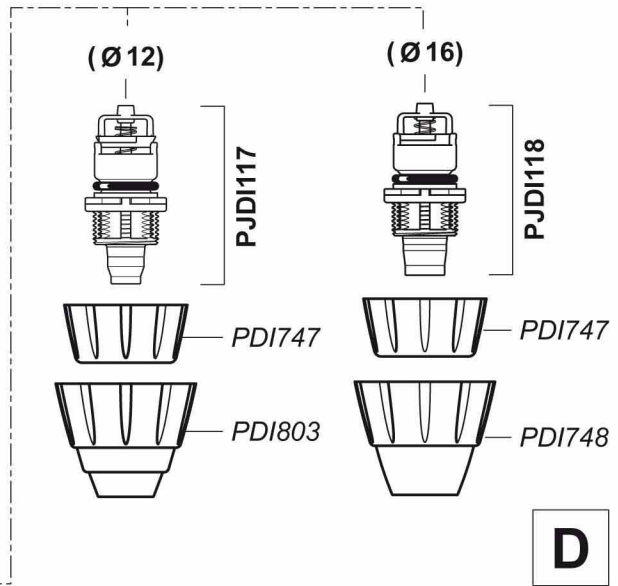


**D14MZ5-D
Vehicle Wash**

14 GPM - 1:200 - 1:20
 3 m³/h - 0.5 - 5 %
 4.3 - 85 psi
 0.3 - 6 bar

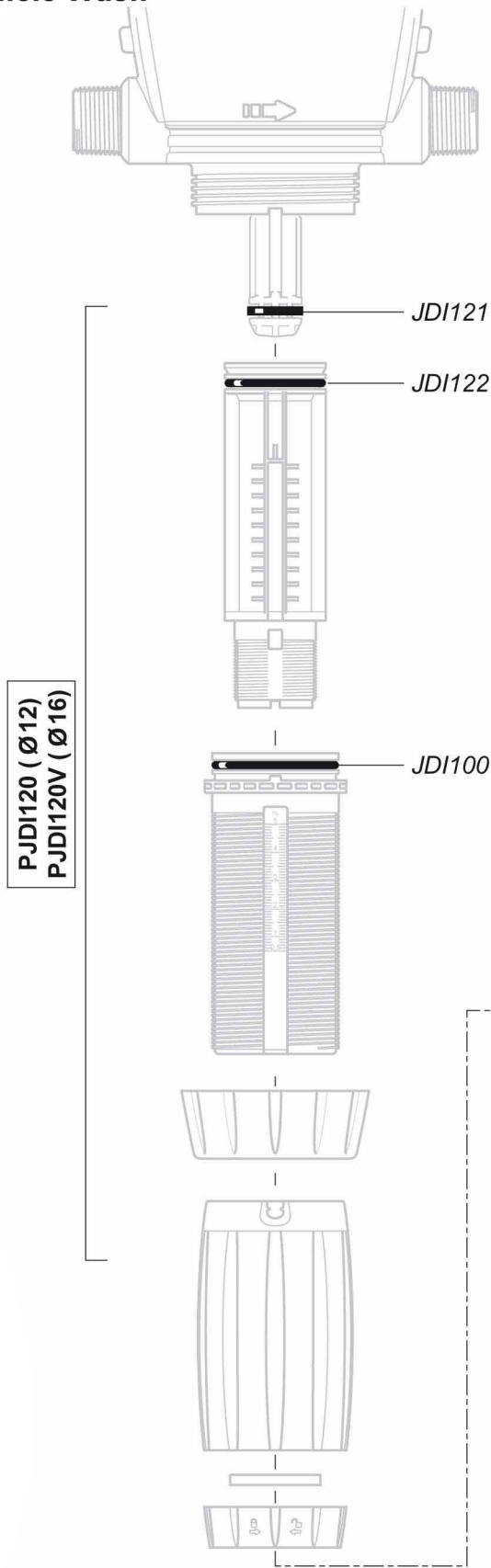


Option "V"

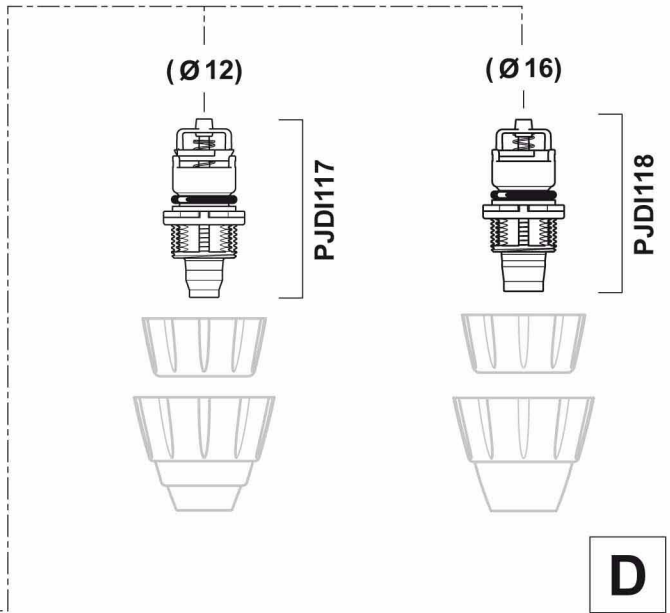


**D14MZ5-D
Vehicle Wash**

14 GPM - 1:200 - 1:20
 3 m³/h - 0.5 - 5 %
 4.3 - 85 psi
 0.3 - 6 bar



Option "V"



**D14MZ5-D
Vehicle Wash**

14 GPM - 1:200 - 1:20
3 m³/h - 0.5 - 5 %
4.3 - 85 psi
0.3 - 6 bar

