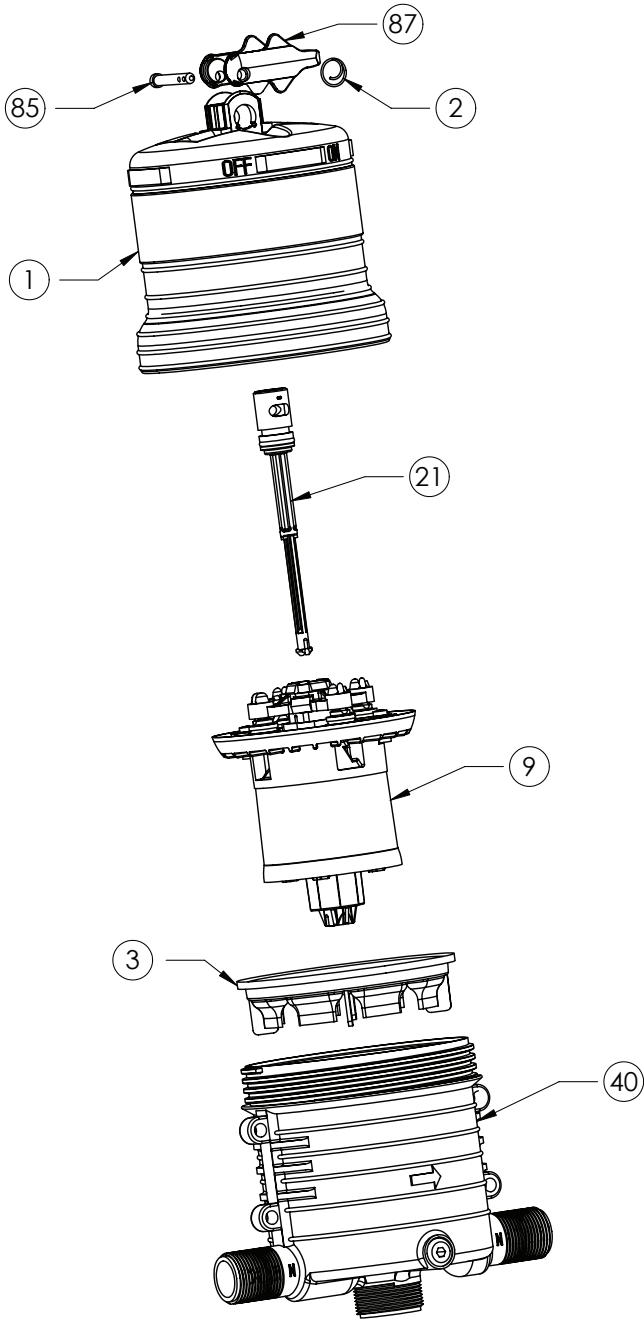
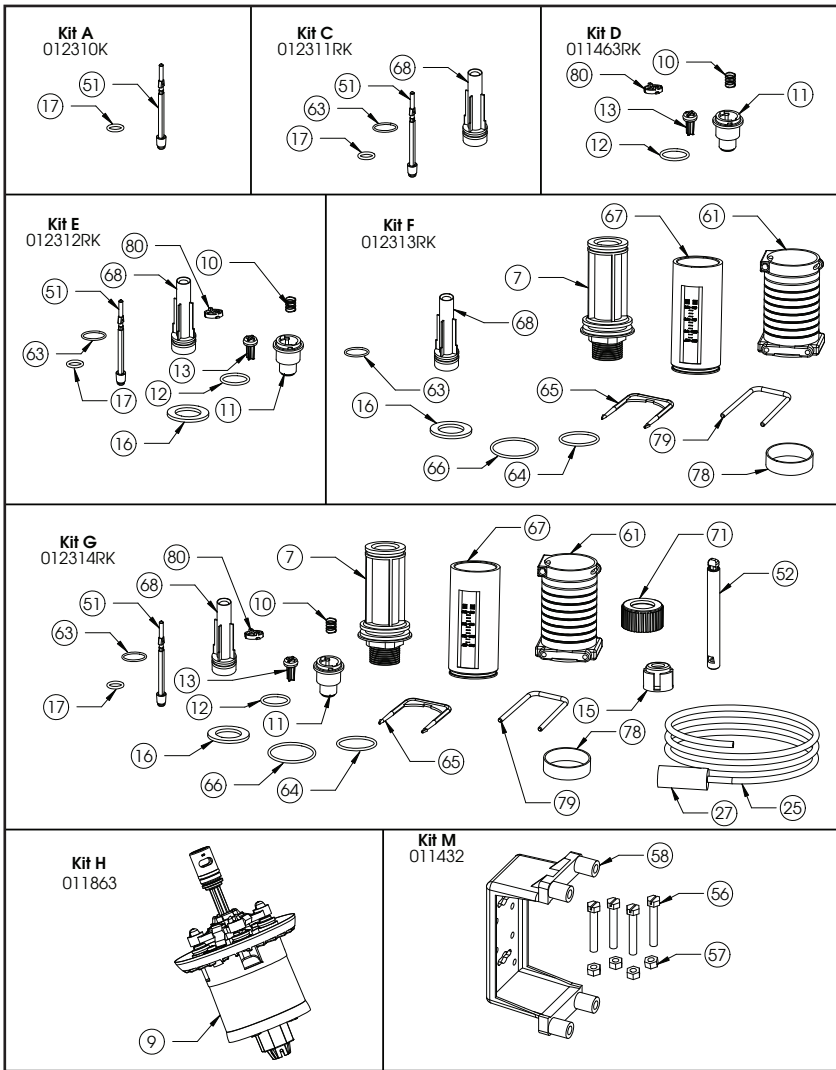


Injector Repair Parts

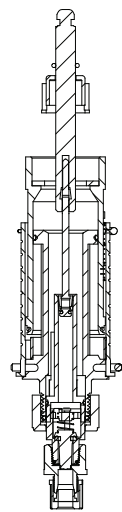
Ref. #	Description
1	Upper Body
2	Cotter Ring
3	Mixing Chamber Gasket
9	Piston Assembly
21	Shaft Assembly
40	Lower Body NPT 1"
	Lower Body BSP 1"
85	Upper Shaft Pin
87	On/Off Handle



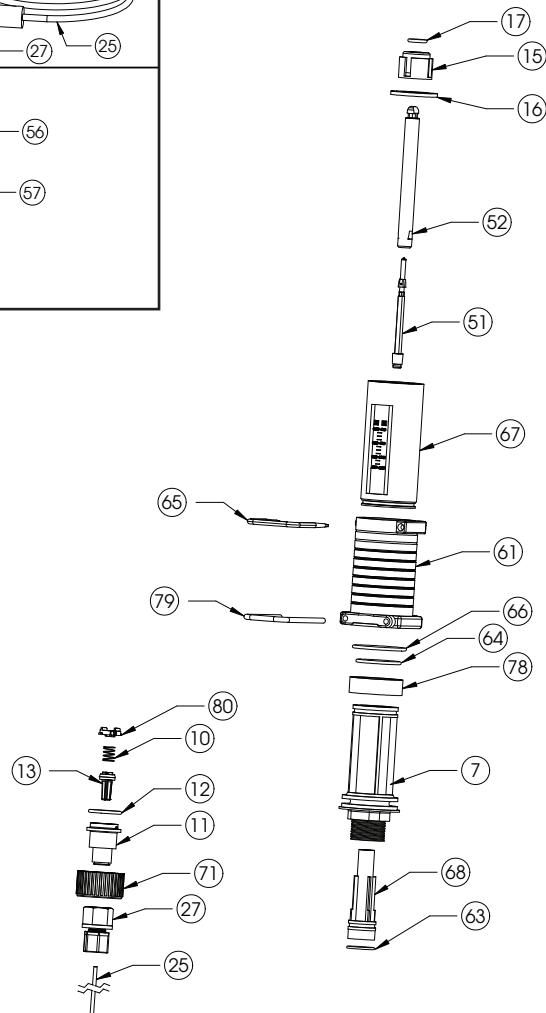
0.3% HAC



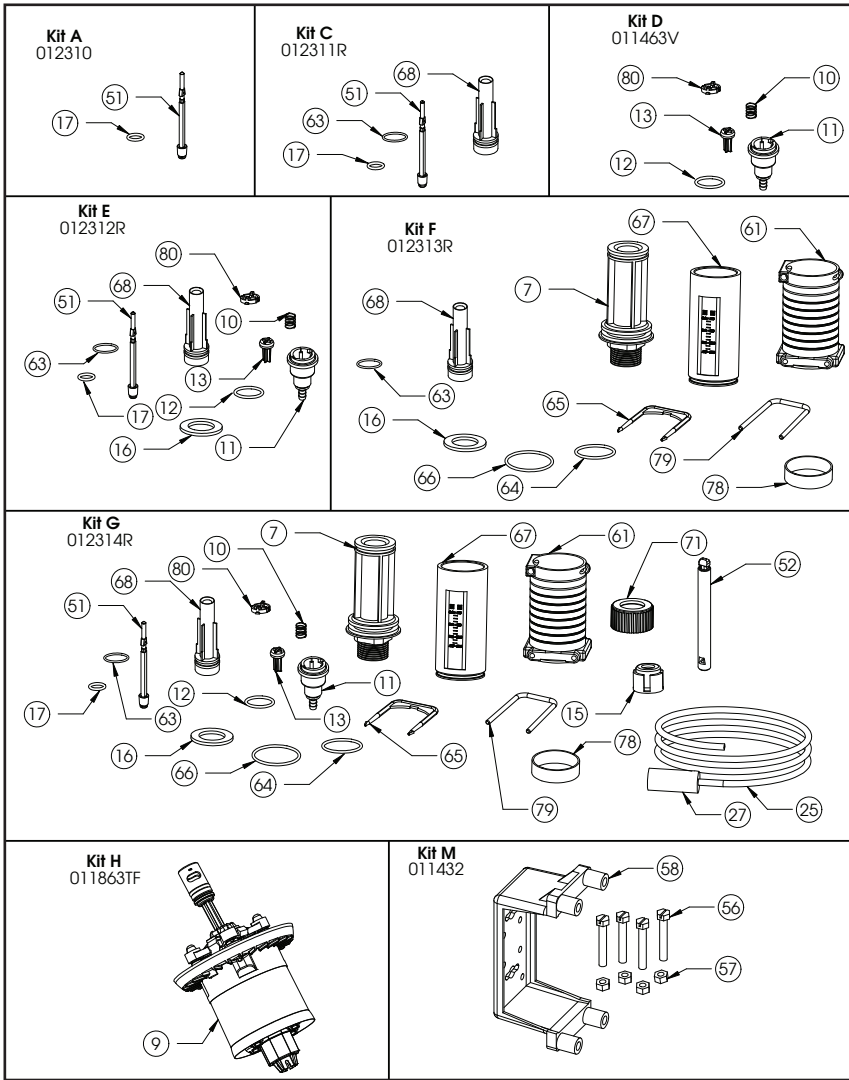
Manual Reference	Description of Part
7	Cylinder, inner
10	Spring
11	Suction tube fitting
12	O-ring
13	Check poppet
15	Seal retainer, O-ring
16	Lower end gasket
17	O-ring
25	Suction tube, 1/4" ID x 5 ft
27	Compression fitting
51	Lower shaft assembly
52	Upper shaft
61	Ratio adjustment sleeve
63	O-ring, inner cylinder
64	O-ring, inner cylinder, lower end
65	Interlock pin
66	O-ring, outer cylinder, lower end
67	Cylinder, outer
68	Cylinder, inner for #7
71	Nut, suction tube fitting
78	Lower end stop
79	Retainer clip, bottom
80	Twistlock



Lower End Assembly

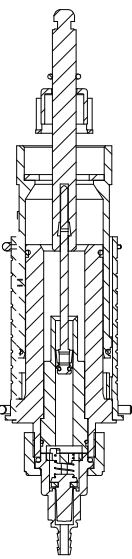


0.3%



Manual Reference	Description of Part
7	Cylinder, inner
10	Spring
11	Fitting, suction tube, 1/4"
12	O-ring
13	Check poppet
15	Seal retainer, O-ring
16	Lower end gasket
17	O-ring
25	Suction tube, 1/4" x 5'
27	Foot valve 1/4" ID
51	Lower shaft assembly
52	Upper shaft
61	Ratio adjustment sleeve
63	O-ring, inner cylinder (#68)
64	O-ring, inner cylinder, lower end
65	Interlock pin
66	O-ring, outer cylinder, lower end
67	Cylinder, outer
68	Cylinder, inner for #7
71	Nut, suction tube fitting
78	Lower end stop
79	Retainer clip, bottom
80	Twistlock

Note: Viton seal materials are standard. Other seal materials are available.



Lower End Assembly

