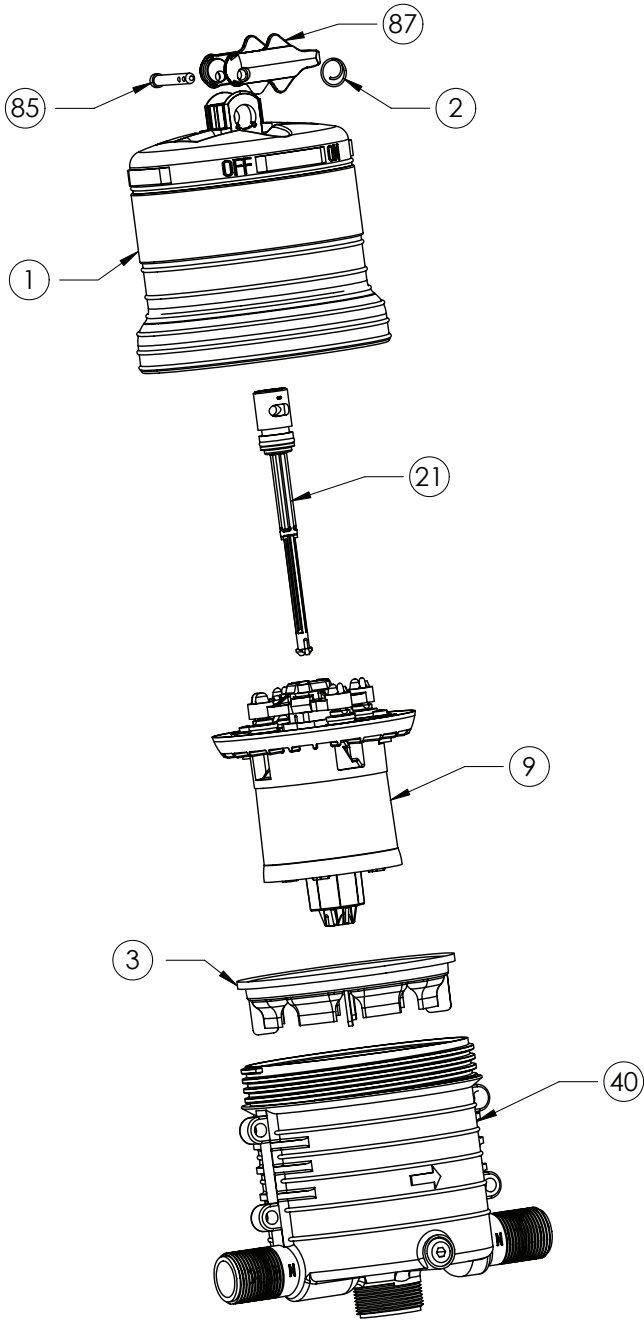
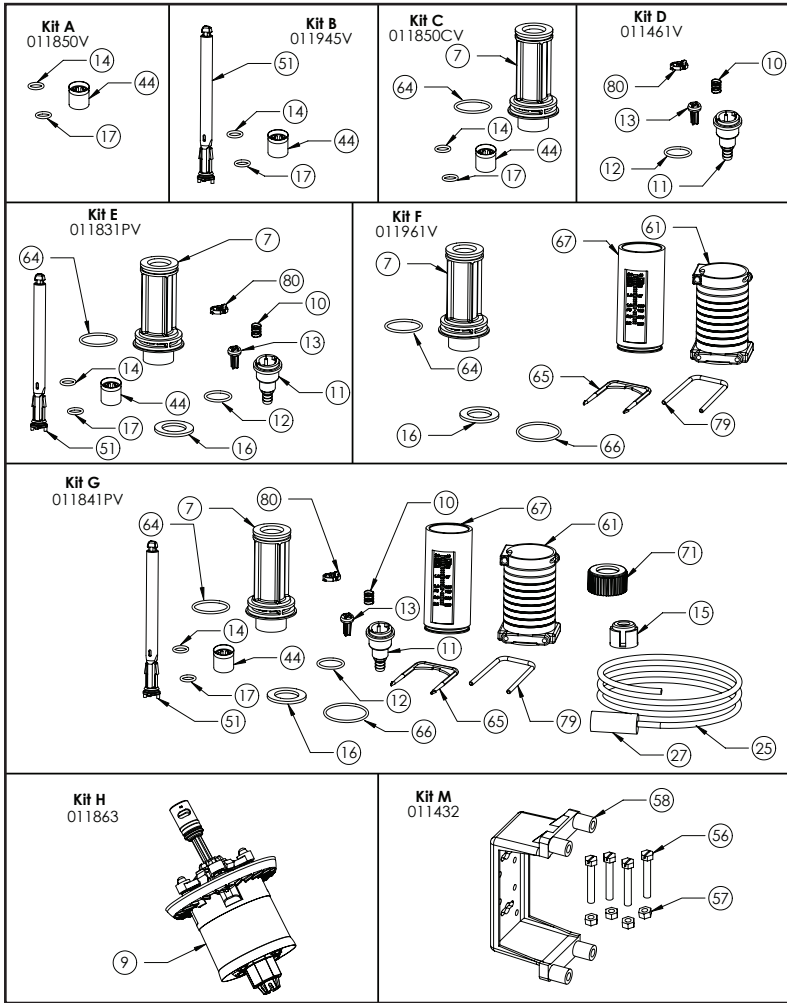


# Injector Repair Parts

Ref. #	Description
1	Upper Body
2	Cotter Ring
3	Mixing Chamber Gasket
9	Piston Assembly
21	Shaft Assembly
40	Lower Body NPT 1"
	Lower Body BSP 1"
85	Upper Shaft Pin
87	On/Off Handle

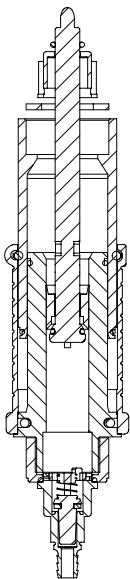


# 2.5%



Manual Reference	Description of Part
7	Cylinder, inner
10	Spring
11	Fitting, suction tube, 3/8"
12	O-ring
13	Check poppet
14	O-ring
15	Seal retainer, O-ring
16	Lower end gasket
17	O-ring
25	Suction tube, 3/8" x 5'
27	Filter, for suction tube
44	Dosage Piston
51	Shaft
61	Ratio adjustment sleeve
64	O-ring, inner cylinder, lower end
65	Interlock pin
66	O-ring, outer cylinder, lower end
67	Cylinder, outer
71	Nut, suction tube fitting
79	Retainer clip, bottom
80	Twistlock

**Note:** Viton seal materials are standard. Other seal materials are available.



**Lower End Assembly**

