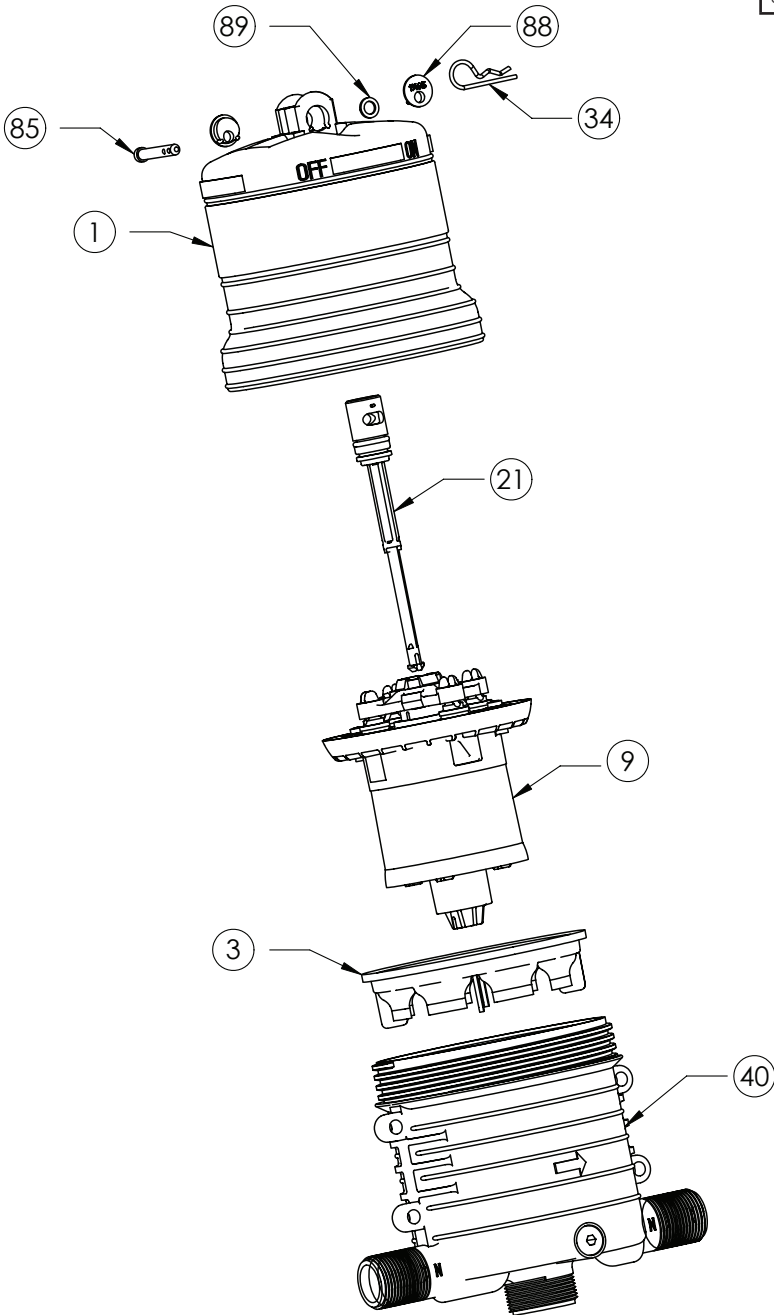
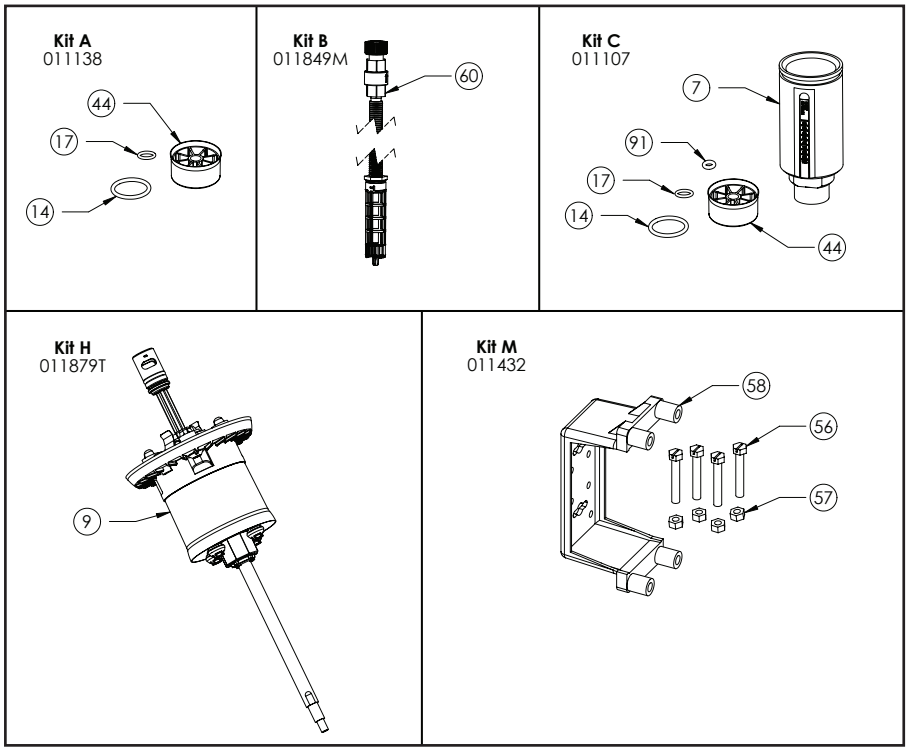


Injector Repair Parts

Ref. #	Description
1	Upper Body (Must Order w/#88)
3	Mixing Chamber Gasket
9	Piston Assembly (Must Order With #21)
9	Piston Assembly 10% (Must Order With #21)
21	Shaft Assembly
34	Hairpin
40	Lower Body NPT 1"
40	Lower Body BSP 1"
85	Upper Shaft Pin
88	Non Bypass Plug
89	Washer



10%



Manual Reference	Description of Part
7	Outer Cylinder
14	O-ring, Dosage Piston Guide
15	Seal Retainer, O-ring
17	O-ring
44	Dosage Piston
51	Shaft Assembly, Stainless Steel
53	Klipring
61	Ratio Adjuster
66	O-ring, Outer Cylinder, Lower End
68	O-ring, Cylinder Adapter, Lower End
72	Adapter
73	Dosage Piston Guide
79	Ratio Locking Pin
93	Capscrew 10-32 X 1/2" Ss Hex
92	Shaft Cap
94	O-ring, Outer Cylinder
91	O-ring, Dosage Piston Guide
60	Hose Kit

Note: Viton seal materials are standard. Other seal materials are available.

