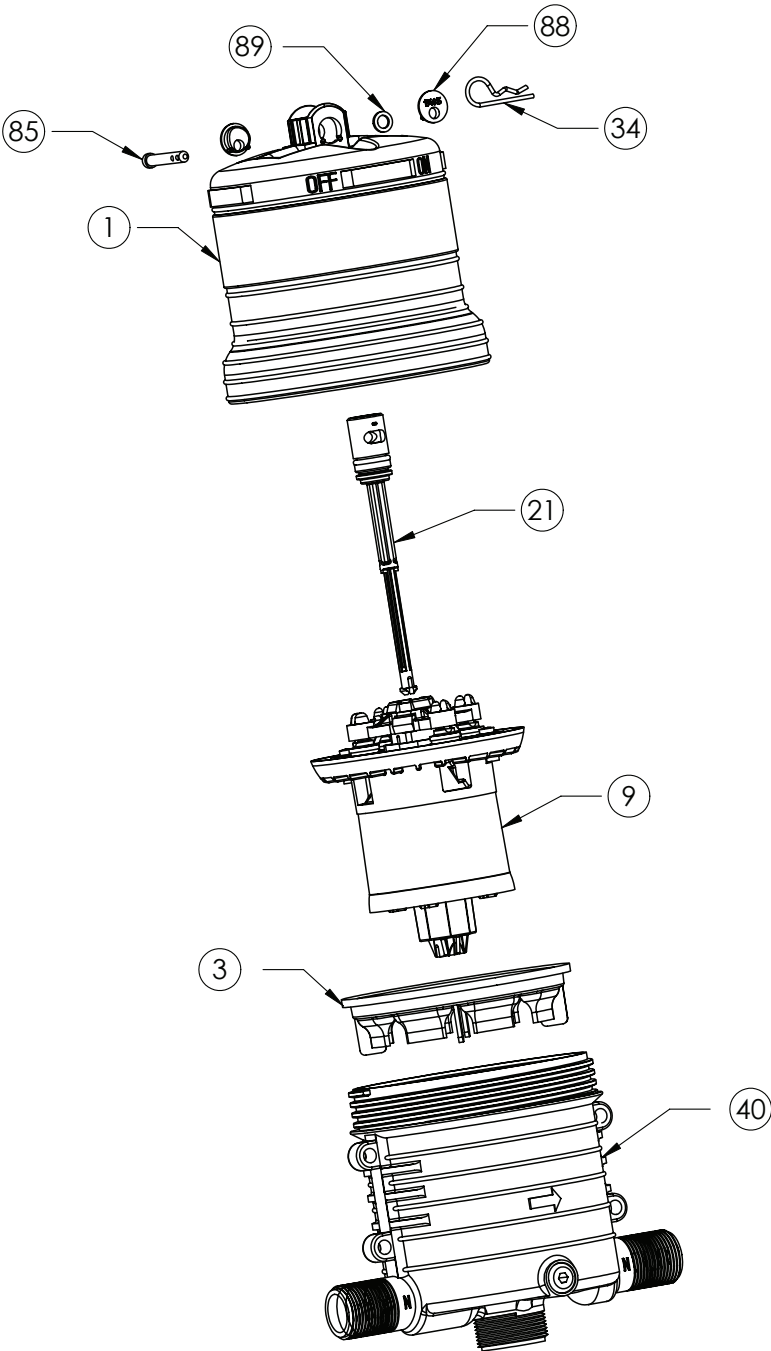
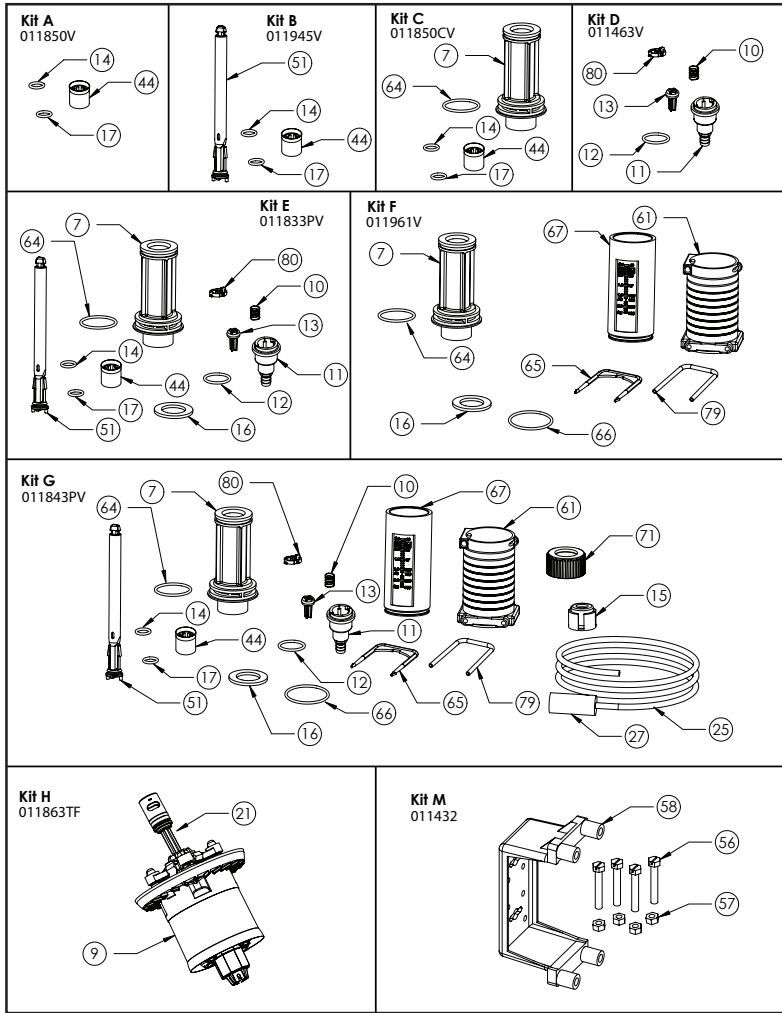


Injector Repair Parts

Reference #	Description
1	Upper Body
3	Mixing Chamber Gasket
9	Piston Assembly
21	Shaft Assembly
34	Hairpin
40	Lower Body NPT 1"
	Lower Body BSP 1"
85	Upper Shaft Pin
89	Washer
88	Non on/off plug

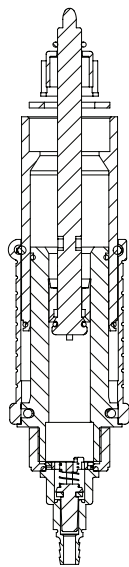


2.5%



Manual Reference	Description of Part
7	Inner Cylinder
10	Spring
11	Suction Tube Fitting, 1/4"
12	O-ring
13	Check Poppet
14	O-ring
15	Seal Retainer, O-ring
16	Lower End Gasket
17	O-ring
25	Suction Tube, 1/4" X 5'
27	Filter For Suction Tube
44	Dosage Piston
51	Shaft
61	Ratio Adjustment Sleeve
64	O-ring, Inner Cylinder, Lower End
65	Pin, Upper Interlock
66	O-ring, Outer Cylinder, Lower End
67	Outer Cylinder
71	Nut, Suction Tube Fitting
79	Retainer Clip, Bottom
80	Twistlock

Note: Viton seal materials are standard. Other seal materials are available.



Lower End Assembly

