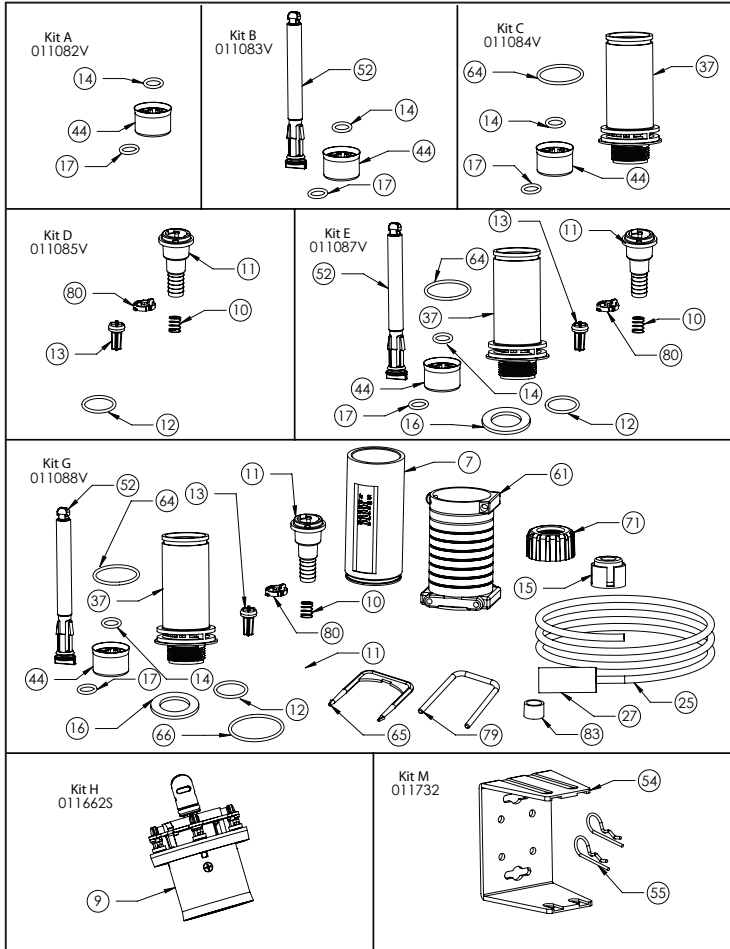
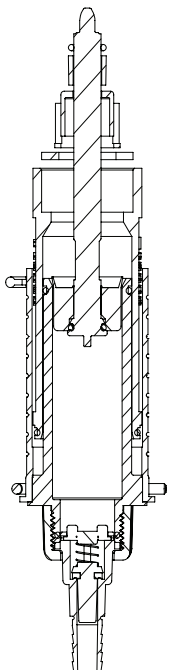


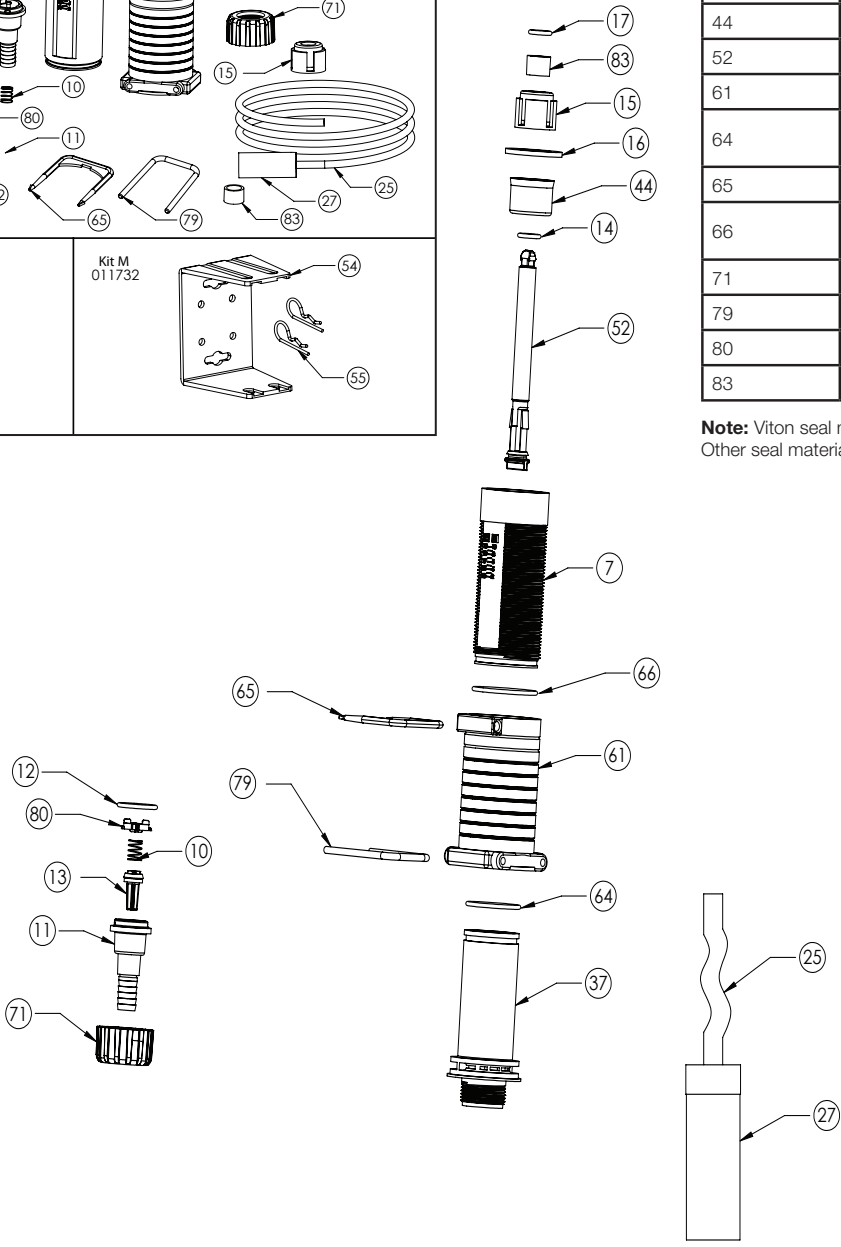
10%



Manual Reference	Description of Part
7	Cylinder, Outer
10	Spring
11	Suction Tube Fitting
12	O-ring
13	Check Poppet w/Washer
14	O-ring
15	Seal Retainer, O-ring
16	Gasket
17	O-ring
25	Suction Tube, 1/2" X 5'
27	Filter For Suction Tube, 1/2" Id
37	Inner Cylinder
44	Dosage Piston
52	Shaft
61	Ratio Adjustment Sleeve
64	O-ring, Inner Cylinder, Lower End
65	Interlock Pin
66	O-ring, Outer Cylinder, Lower End
71	Nut, Suction Tube Fitting
79	Retainer Clip Bottom
80	Twistlock
83	Shaft Seal Spacer



Lower End Assembly



Note: Viton seal materials are standard. Other seal materials are available.