

DEMA

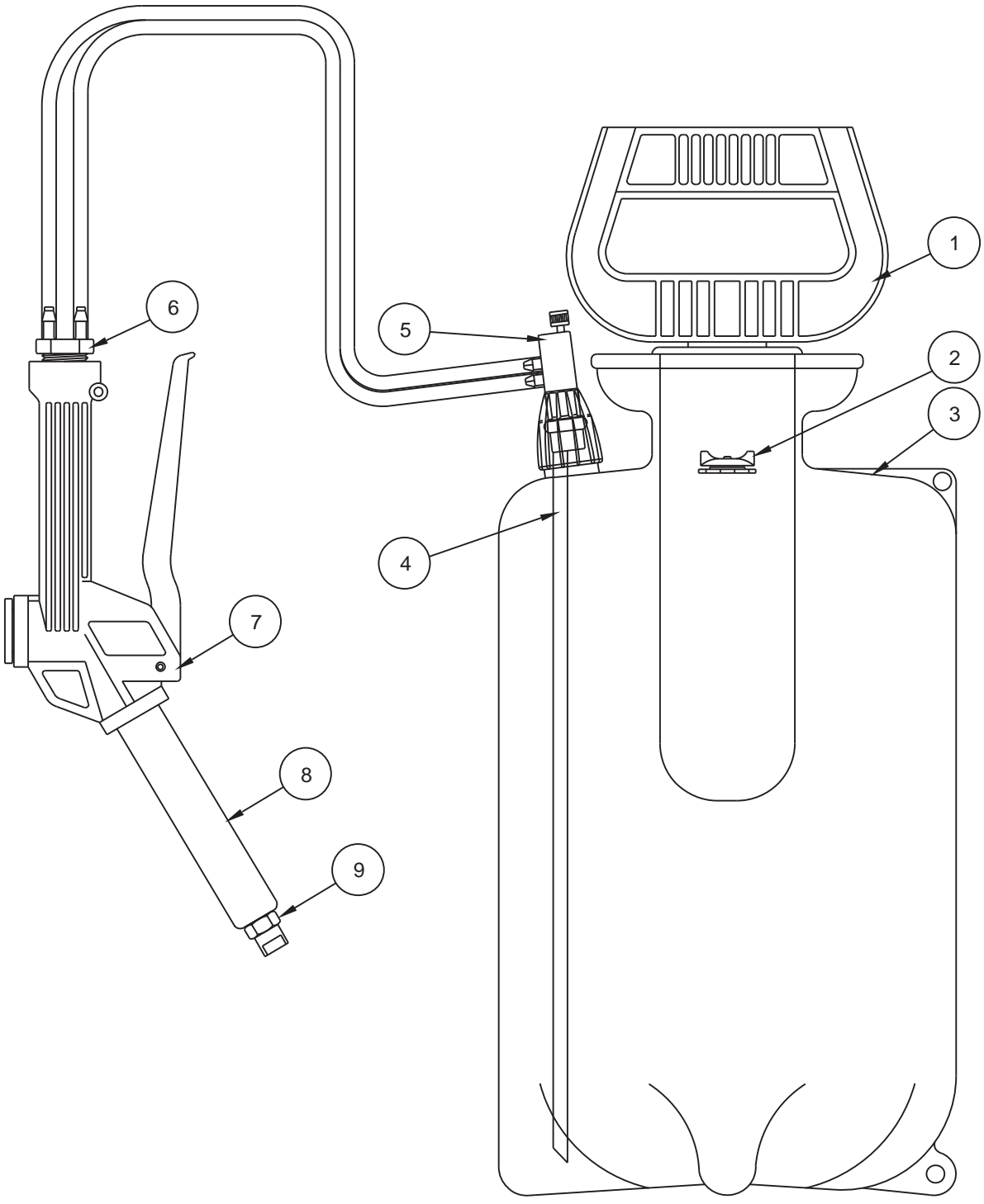
900-2PU



OWNER'S MANUAL

DEMA

900-2PU



DEMA

900-2PU

PARTS LIST

Item	Part Number	Description
1	9PUFPA-2	BLACK VITON PUMP ASSEMBLY
2	9PUF-PRV-2	PRESSURE RELIEF VALVE
3	9PUF2-G-2	2 GALLON TANK
4	9PUF-PST2	PICK-UP TUBE
5	9PUF-VHA	NEEDLE VALVE ASSEMBLY W/ TANK NUT, O-RING & TUBING
6	9B122	DOUBLE HOSE BARB x 1/2" MPT
7	9PSG12	POLY SPRAY GUN, 1/2" FPT
	9PSG12OR	O-RINGS FOR PSG12
8	9WAAD.75	FOAM MIXING MATERIAL
	9PW124-120	4" POLY WAND
9	9ST6515SS	S.S. SPRAY TIP 65°
*6-9	9PWA4	COMPLETE WAND ASSEMBLY FOR FI-2

WARNING

- ALWAYS wear proper protective clothing and goggles when dealing with chemicals. Read your chemical's MSDS sheet before using this unit.
- NEVER point discharge spray toward anyone.
- DEPRESSURIZE unit after use.

INSTRUCTIONS

1. Unscrew the pump assembly (item# 1) from the tank (item# 3).
2. Fill the tank about 1/2 full with the proper mixture of water and foaming chemical.
3. Screw the pump assembly back into the tank.
4. Twist the pump handle 1/3 of a turn counterclockwise and pump the handle.
5. Grasp trigger gun (item# 7) in hand, aim and squeeze the trigger.
6. Adjust foam consistency by turning the needle valve knob (item# 5). Turning it counterclockwise will produce a dryer foam, while turning it clockwise will produce a wetter foam.
7. After use, before emptying or filling, remove all pressure from the unit by pulling up on the pressure relief valve (item# 2).

Note: Silicone lubricant should be used to lube pump o-ring. Do not use oil or mineral spirits, this will damage the o-ring.

RETURNS: NO MERCHANDISE MAY BE RETURNED FOR CREDIT WITHOUT DEMA'S WRITTEN PERMISSION. RETURN MERCHANDISE AUTHORIZATION NUMBER REQUIRED IN ADVANCE OF RETURN.

WARRANTY: DEMA products are warranted against defective material and workmanship under normal use and service for one year from the date of manufacture. This limited warranty does not apply to any products which have a normal life shorter than one year or failure and damage caused by chemicals, corrosion, improper voltage supply, physical abuse, or misapplication. Rubber and synthetic rubber parts such as "o"- rings, diaphragms, squeeze tubing and gaskets are considered expendable and are not covered under warranty. This warranty is extended only to the original buyer of DEMA products. If products are altered or repaired without prior approval of DEMA, this warranty will be void.

Defective units or parts should be returned to the factory with transportation prepaid. If inspection shows them to be defective, they will be repaired or replaced without charge, F.O.B. factory. DEMA assumes no liability for damages. Return merchandise authorization number, to return units for repair or replacement, must be granted in advance of return.