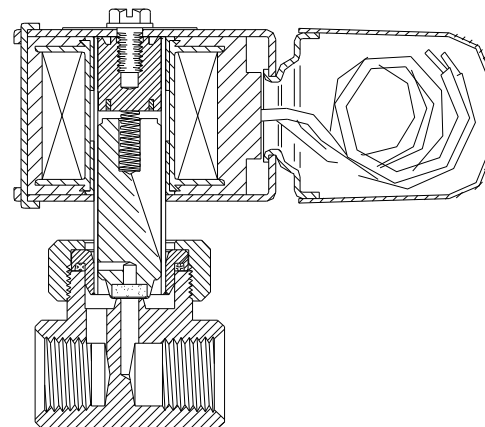


DEMA MODEL 424-2 SOLENOID VALVE INSTALLATION INSTRUCTIONS

INSTALLATION:

Valve may be installed in any position other than the coil down. Flow must be in the direction of the arrow stamped on the underside of the body. Pipe sizes are shown in Table 1.

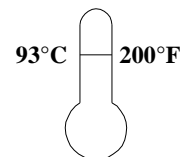


1. ELECTRICAL CONNECTIONS:

Make sure that incoming power corresponds to the voltage stamped on the front plate of the solenoid coil. See Table 2 for electrical specifications.

3. FLUIDS:

Valves are intended for water, air, light oil, and other noncorrosive fluids. They should *not* be used for gasoline and other hazardous or explosive fluids. Maximum fluid temperature is 200° F (93.3°C). Ambient temperature shall not exceed 120°F (48.8°C).



WARNING: NOT FOR USE WITH HAZARDOUS OR CORROSIVE OR EXPLOSIVE FLUIDS.

TABLE 1

Pipe Size NPT	Port Diameter	C _v Flow Factor	MOPD - psi.		Safe Working Pressure
			AC	DC	
1/4"	1/8"	0.30	150	125	1000psi.

TABLE 2

Watts AC	AC Coil Voltage	Amperes				DC		
		Inrush		Holding		Rated Watts	Volts	Amp.
		50 Hz	60 Hz	50 Hz	60 Hz			
10	24	1.80	1.50	1.00	0.75	15	12	1.00
	120	0.38	0.33	0.21	0.15		24	0.50
	208	0.22	0.19	0.12	0.09		32	0.40
	240	0.19	0.16	0.10	0.07		115	0.10

4. SERVICING:

- A. Failure to open:
 - 1) No power or low voltage.
 - 2) Burnt out coil (usually due to wrong voltage).
 - 3) Pressure differential too high. (Check MOPD in Table 1)
 - 4) Plunger jammed by dirt or damaged steel tube.

- B. Failure to close:
 - 1) Coil still energized.
 - 2) Valve installed backwards.
 - 3) Dirt on valve seat.
 - 4) Plunger jammed by dirt or damaged steel tube.

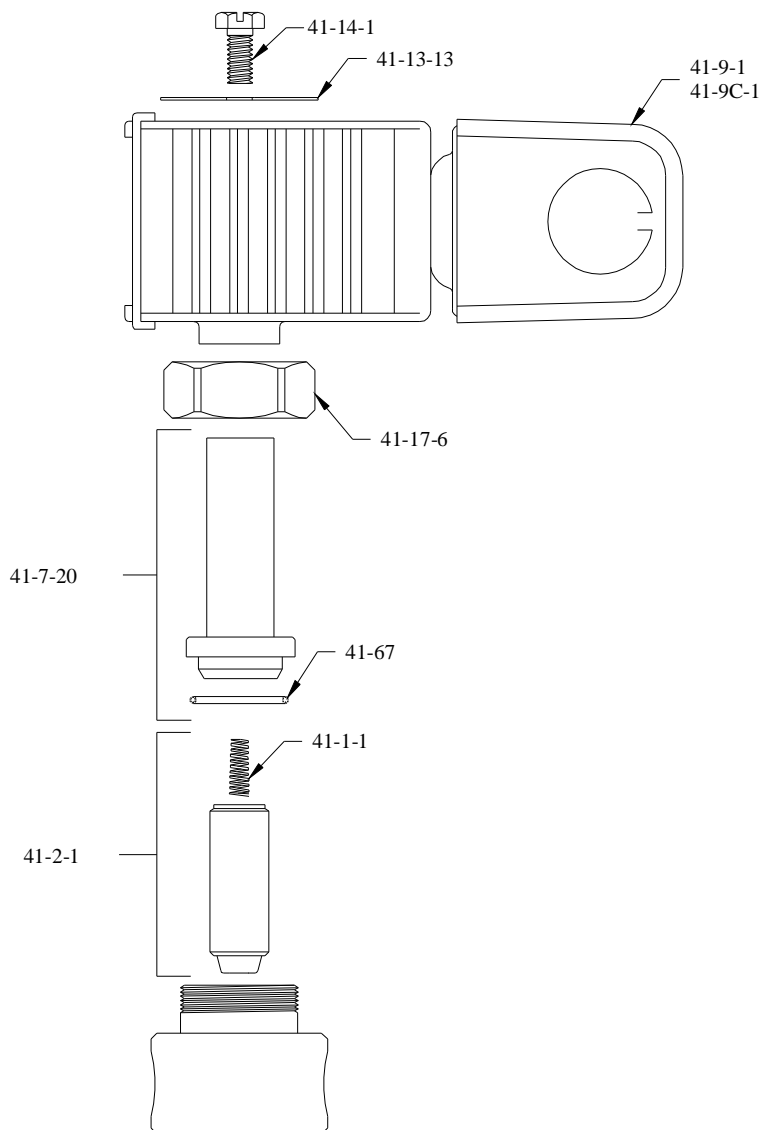
DEMA MODEL 424-2 SOLENOID VALVE INSTALLATION INSTRUCTIONS

RETURNS: **NO MERCHANDISE MAY BE RETURNED FOR CREDIT WITHOUT DEMA'S WRITTEN PERMISSION. RETURN MERCHANDISE AUTHORIZATION NUMBER REQUIRED IN ADVANCE OF RETURN.**

WARRANTY: DEMA products are warranted against defective material and workmanship under normal use and service for one year from the date of manufacture. This limited warranty does not apply to any products which have a normal life shorter than one year or failure and damage caused by chemicals, corrosion, improper voltage supply, physical abuse, or misapplication. Rubber and synthetic rubber parts such as "o"- rings, diaphragms, squeeze tubing and gaskets are considered expendable and are not covered under warranty. This warranty is extended only to the original buyer of DEMA products. If products are altered or repaired without prior approval of DEMA, this warranty will be void.

Defective units or parts should be returned to the factory with transportation prepaid. If inspection shows them to be defective, they will be repaired or replaced without charge, F.O.B. factory. DEMA assumes no liability for damages. Return merchandise authorization number, to return units for repair or replacement, must be granted in advance of return.

DEMA MODEL 424-2 SOLENOID VALVE INSTALLATION INSTRUCTIONS



PART NO.	DESCRIPTION
41-1-1	Plunger Spring
41-2-1	Plunger (including spring) – EPDM
41-2-10	Plunger (including spring) – Teflon
41-2-13	Plunger (including spring) – Viton
41-67	O-Ring
41-7-20	Tube Assembly
41-9-1	Solenoid Coil (specify voltage)
41-9C-1	Optional Solenoid Coil with Conduit Boss
41-13-13	Name Plate (specify model)
41-14-1	Top Plug Screw

DEMA MODEL 424-2 SOLENOID VALVE INSTALLATION INSTRUCTIONS

41-17-6	Enclosing Tube Locknut
---------	------------------------