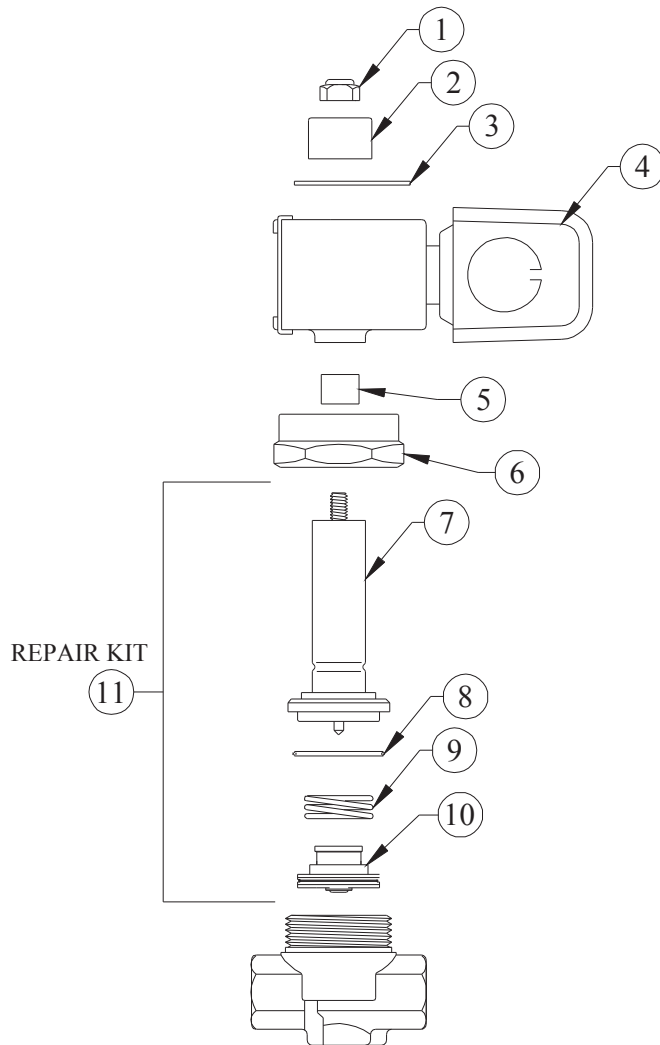


# DEMA NORMALLY OPEN SOLENOID VALVES

## MODELS O453P, O453S INSTALLATION INSTRUCTIONS



NO.	PART NO.	DESCRIPTION
1	41-14-3	Top Plug Nut
2	41-22-3	Spacer Cup
3	41-13-18	Name Plate
4	O41-9-2 O41-9C-2	Solenoid Coil (Specify Voltage) Solenoid Coil w/Conduit Boss (Specify Voltage)
5	41-23-4	Spacer
6	41-17-5	Enclosing Tube Locknut
7	41-7-26	Valve Operator Assembly
8	41-5-2	O-Ring, Buna-N (1 x 1 1/8 x 1/16)
9	41-4-1	Closing Spring
10	41-3-5	Piston Assembly w/Ring & Backup Spring
11	41-58	Repair Kit