

CONTINENTAL NH3 PRODUCTS

INSTALLATION, OPERATION, REPAIR AND MANTINANCE INSTRUCTIONS

PRODUCT SERIES: R-6572

ATTENTION: Please follow all of the instruction in this manual carefully and read the entire manual completely, failure to do so may cause the product to function improperly or fail causing serious injury or death.



ANHYDROUS AMMONIA IS AN INHALATION HAZARD AND WILL CAUSE SERIES INJURY OR DEATH. PLEASE USE EXTREME CAUTION WHEN HANDLING IT OR PERFORMING ANY MAINTENANCE ON EQUIPMENT USED FOR ANHYDROUS AMMONIA.

ATTENTION: Before performing any installation, operation, repair or maintenance please follow the instructions below.

1. You must be certified to work with anhydrous ammonia. If you are not please seek out the appropriate agricultural department to attend a class to obtain the proper certification.
2. Wear appropriate safety goggles, gloves and breathing apparatuses.
3. Drain all tanks, hoses and piping of anhydrous ammonia COMPLETELY before removing, installing, performing maintenance or repairing any equipment.
4. Always remove device from service before performing any maintenance or repair
5. have sufficient water near by
6. Obey all local, state and federal laws regarding the handling of anhydrous ammonia

INSTALLATION & OPERATION

1. See the following pages for additional installation and operational instructions
2. The R-6572 can only be installed onto a C-2500, C-4100 series meter matics. This is not a stand along hydraulic shut off, it only works in conjunction with the previously mentioned meter matics.
3. The R-6572 is a volume based shut off not pressure based. To function properly turn the volume control on the hydraulic system on the tractor up to the higher levels. Failure to do so will cause the adaptor to turn in the casting causing the casting to crack.

MAINTENANCE

1. Check valve regularly for leaks and wear.
2. Keep valve clean and free from debris
3. If leaking hydraulic fluid from stem body casting or adjusting screw install a repair kit, R-6572-RK, or replace valve immediately.
4. If leaking Anhydrous ammonia please see C-2500, C-4100 manual and refer to repair section.

REPAIR

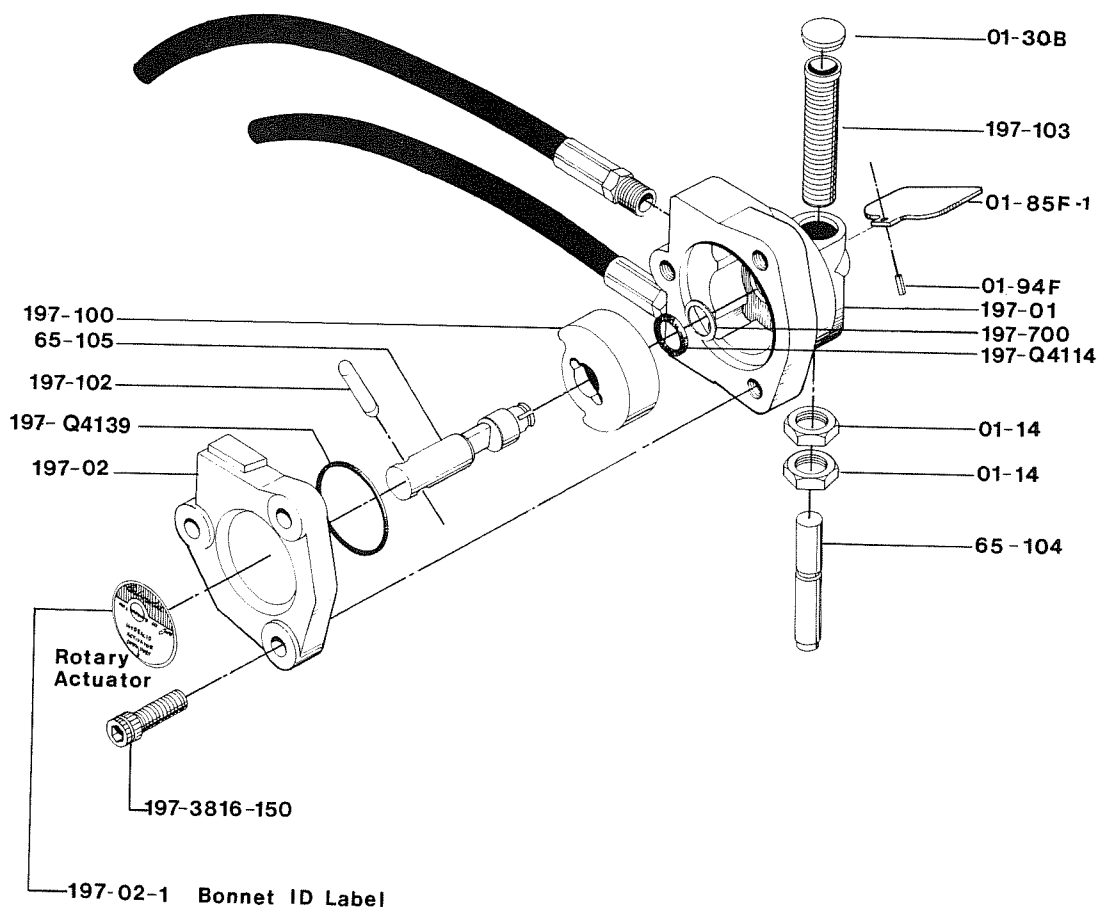
1. Remove unit from service by following the above ATTENTIONS AND CAUTIONS.
2. Remove indicator flag lock pen 01-94-F and remove indicator flag 01-85-F.
3. Remove 3 Allen screws 197-3816-150 and take off the bonnet 197-02 and replace Quad-ring 197-Q4139
4. remove rotor and rotor shaft 65-105 and 197-100. Replace cap seal 197-Q4139 in the main body 197-01.
5. Reinstall rotor and rotor shaft 65-105 and 197-100 back into main body 197-01 and reinstall bonnet 197-02 and Allen screws 197-3816-150 and tighten firmly with appropriate Allen wrench.
6. Reinstall back into service following the above installation instructions.

QUESTIONS CALL 800-537-5642



Installation

The R-6572 is easily installed on any A, B, or C series Continental meter matic. Simply remove the rope pull or manual handle assembly and install the adjusting screw of the actuator in the existing bonnet. When installing the actuator unit, the adjusting screw should be threaded into the bonnet until the cam rod and shut off stem make contact. Then back the actuator unit off 1/8 of a turn, the linkage is now in proper adjustment and should be locked down securely.



R-6572 Rotary Actuator Parts List

PART NUMBER	DESCRIPTION	PART NUMBER	DESCRIPTION
01-14	Lock nut	197-102	Rotor Retaining Pin
01-30B	Cam Housing Cap	197-103	Adjusting Screw
01-85F-1	Indicator Flag	65-104	Cam Rod
01-94f	Flag lock pin	197-700	Cap Seal Back Up Washer
197-01	Rotary Actuator Body	197-3816-150	Body Screw
197-02	Rotary Actuator Bonnet	197-Q4139	Body Seal O-Ring
197-100	Rotor	197-Q4114	Cam Seal Quad Ring
65-105	Cam For Meter Matic	657-2	Orificed Adaptor