



## Spray Guns

Standard Model

**36140**

Weep Model

**36141**

### FEATURES

- Durable Z-Nylon body with new heat resistant trigger means longer life, less breakage.
- Contour design and smooth trigger action reduces operator fatigue.
- Quality construction stainless steel ball and seat assures thousands of continuous cycles.
- Choice of standard or freeze protection “weep” version.
- Special safety-lock prevents unintentional operation.

### SPECIFICATIONS

	U.S. Measure	Metric Measure
Maximum Flow.....	10.5 gpm	(40 lpm)
Maximum Pressure .....	4500 psi	(310 bar)
Maximum Temperature.....	320°F	(160°C)
Inlet Port (1).....	3/8" NPTF	(3/8" NPTF)
Discharge Port (1).....	1/4" NPTF	(1/4" NPTF)
Weight.....	27.5 oz.	(0.779 kg)
Dimensions.....	8.26 x 5.39 x 1.15"	(210 x 137 x 29 mm)

Gun is stamped with a European safety pressure. Use only at above specifications to assure proper gun life and performance.

**SELECTION:** Select a gun to match your system flow and pressure requirements, temperature and function being performed.

**INSTALLATION:** Install the appropriate relief valve when using a spray gun to avoid pressure spikes when the gun is shut off. Severe damage can occur to your system without this device. When operating in freezing conditions, use the weep version. For field conversion a standard gun may be modified to weep by **inverting the standard seat to the notched weep side**. It is suggested the color coded trigger also be used when converting to weep.

**OPERATION:** Flow through the gun occurs by squeezing the trigger on the gun. This activates the actuator rod, lifting the ball off the seat, allowing the pumped liquid to flow through the valve body chamber in the gun. Releasing the trigger shuts off the flow.

#### ⚠ CAUTIONS AND WARNINGS

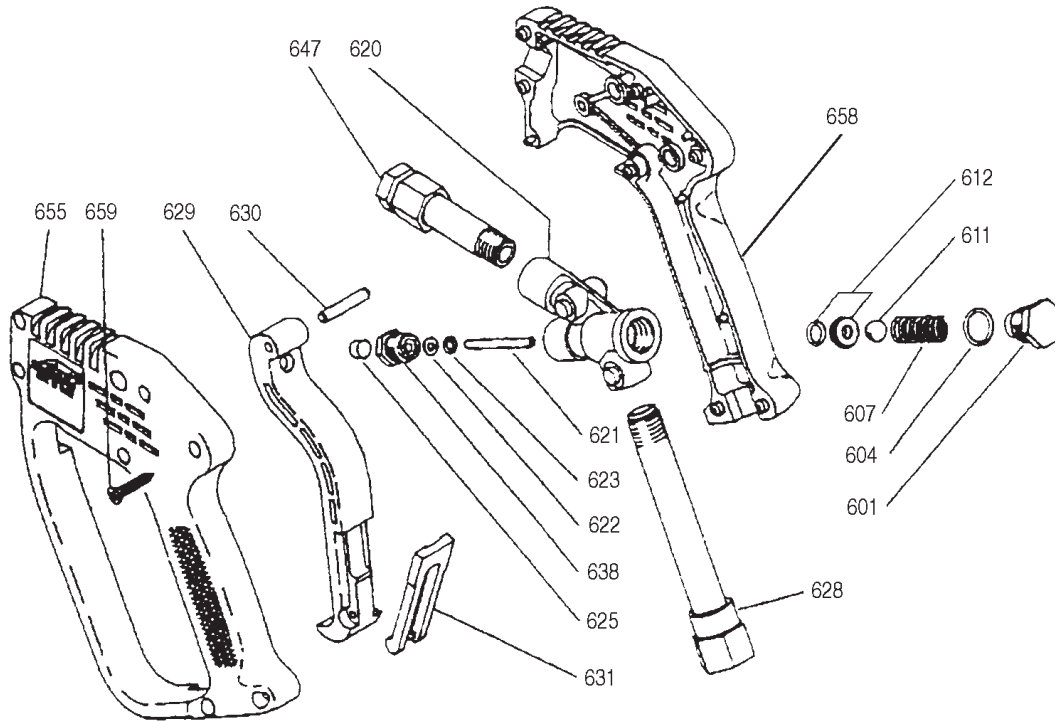
All High Pressure Systems require a primary pressure regulating device (i.e. regulator, unloader) and a secondary pressure relief device (i.e. pop-off valve, relief valve). Failure to install such relief devices could result in personal injury or damage to pump or property. CAT PUMPS does not assume any liability or responsibility for the operation of a customer's high pressure system.

Read all CAUTIONS and WARNINGS before commencing service or operation of any high pressure system. The CAUTIONS and WARNINGS are included in each service manual and with each Accessory Data sheet. CAUTIONS and WARNINGS can also be viewed online at [www.catpumps.com/cautions-warnings](http://www.catpumps.com/cautions-warnings) or can be requested directly from CAT PUMPS.

#### WARRANTY

View the Limited Warranty on-line at [www.catpumps.com/warranty](http://www.catpumps.com/warranty).

## EXPLODED VIEW



## PARTS LIST

ITEM	P/N	MATL	DESCRIPTION	QTY	ITEM	P/N	MATL	DESCRIPTION	QTY
601	33785	BB	Nut, Spring Retaining (M16)	1	629	—	NY	Trigger, Black	1
604	33564	NBR	O-Ring, Retaining Nut - 90D	1	630	—	BB	Pin (5x27 mm)	1
607	33379	SS	Spring, Ball	1	631	—	NY	Latch, Safety, Black	1
611	32289	SSSS	Ball, Seat	1	—	—	NY	Latch, Safety, Blue, (Weep)	1
612	—	NBR	Seat, Notched w/O-Ring	1	638	31001	BB	Guide, Rod	1
620	—	BB	Body	1	647	32006	BB	Fitting, Discharge (1/4" NPTF)	1
621	33787	S	Rod, Actuator	1	655	—	Z	Handle, Left	1
622	35074	PTFE	Back-up-Ring, Actuator Rod	1	658	—	Z	Handle, Right	1
623	35020	FPM	O-Ring, Actuator Rod	1	659	—	S	Screw, Phillips (M3.5x18)	7
625	—	NY	Striker	1	665	39300	Z	Assy, Handle (Incls: 655,658,659)	1
628	997188	BB	Fitting, Inlet (3/8" NPTF)	1	668	36080	—	Kit, Repair (Incls: 604,611,612,621,622,623)	1

MATERIAL CODES (Not Part of Part Number): BB=Brass FPM=Fluorocarbon NBR=Medium Nitrile (Buna-N) NY=Nylon  
PTFE=Pure Polytetrafluoroethylene S=304SS SS=316SS SSSS=440SS Z=Z-Nylon

### ⚠ WARNING

**Severe injury can occur with high pressure spray.  
Do not allow spray to contact any part of body.**

### OPTIONAL LANCES

31219 Square Insulated Single Lance - S.S. — 32"-1/4", 5100 PSI

31220 Square Insulated Single Lance - S.S. — 42"-1/4", 5100 PSI

### TROUBLESHOOTING

Water leaking out the discharge of the gun

- Object lodged between the seat and ball.
- Seat worn.
- O-Ring under seat worn.

Water leaking out the lever area

- O-Ring around push rod worn.



#### CAT PUMPS

1681 - 94TH LANE N.E. MINNEAPOLIS, MN 55449-4324

PHONE (763) 780-5440 — FAX (763) 780-2958

e-mail: techsupport@catpumps.com

www.catpumps.com