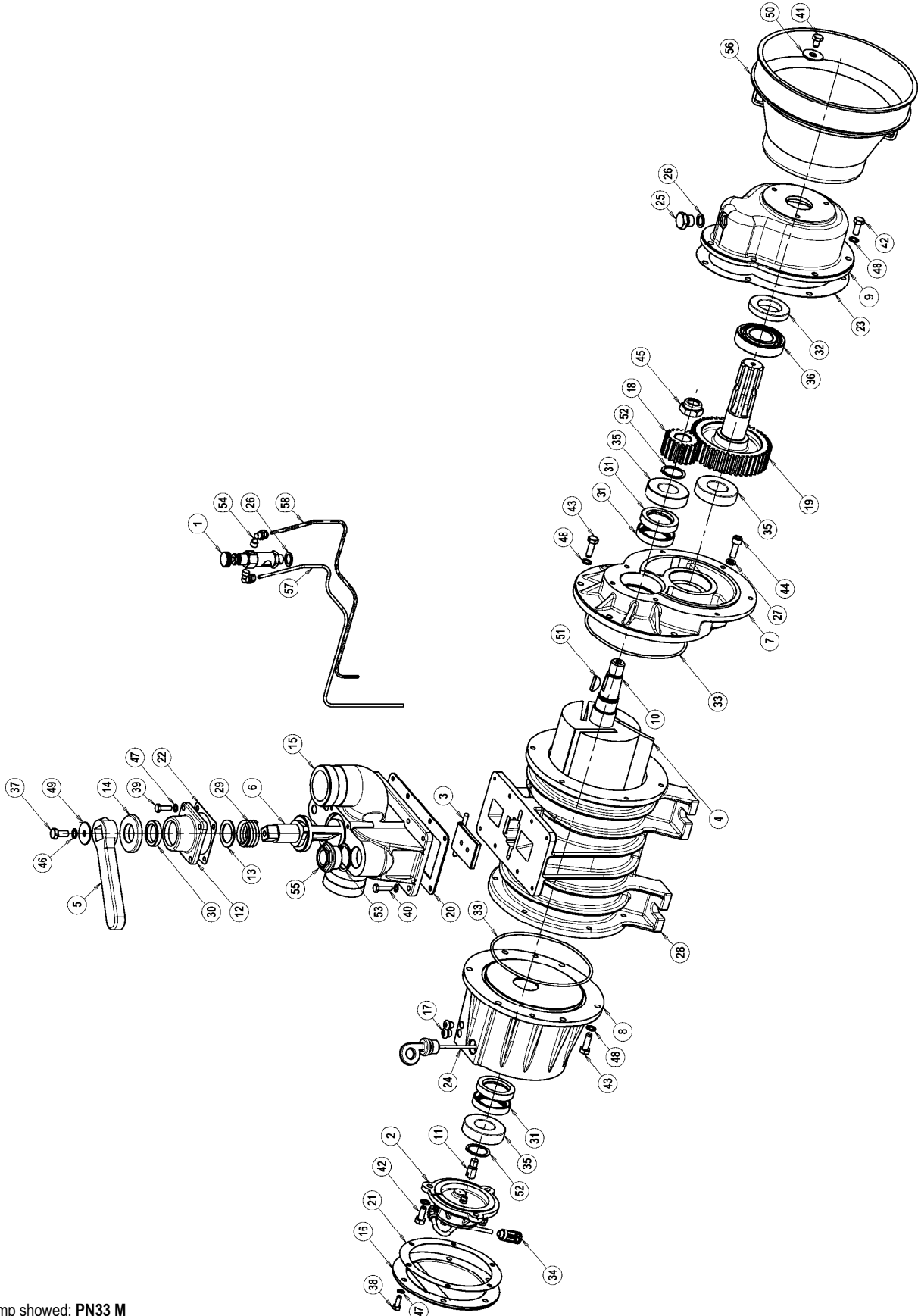


PN 23-33 M

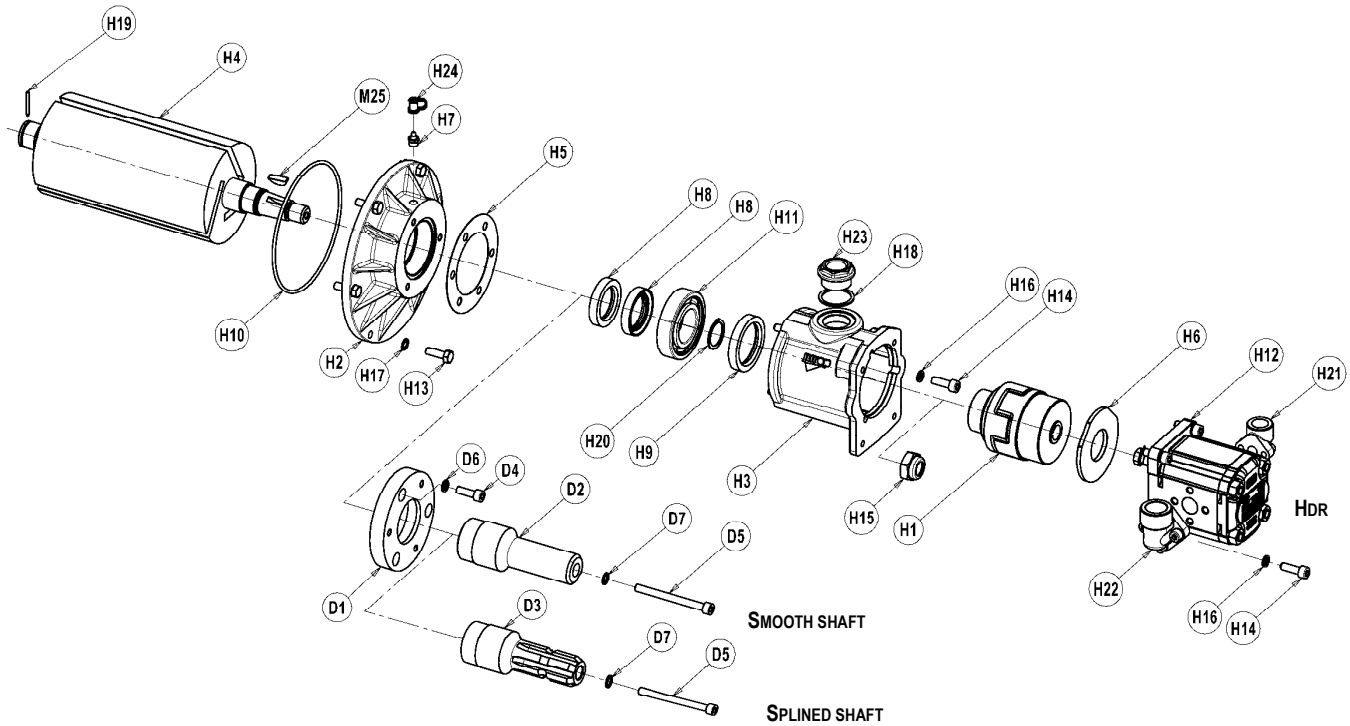


Pump showed: **PN33 M**

PN23-33 M

Pos.	Code	Description	Q.ty	Pos.	Code	Description	Q.ty
1	1401200400	OILER	1	29	1691000200	SPRING	1
2	1407202400	OIL PUMP SX PN23-33	1	30	4022200005	SEAL RING 37X27X7	1
3	1593600100	BUTTERFLY VALVE	1	31	4022200025	SEAL RING 55X35X10	4
4	1601600000	VANE PN23 BK	3	32	4022200032	SEAL RING 60X35X10	1
	1601600100	VANE PN23	3	33	4022200230	SEAL RING OR 4575	2
	1601600200	VANE PN33 BK	3	34	4022300001	FILTER NYLON	1
	1601600300	VANE PN33	3	35	4023100110	BEARING 6206	3
5	1605500000	HANDLE	1	36	4023100020	BEARING 6207	1
6	1608501300	SWITCH PN23-33	1	37	4026100408	SCREW M8X20	1
7	1610503900	FLANGE PN23-33	1	38	4026102704	SCREW M6X16 ZINC.	6
8	1612501200	OIL BOX	1	39	4026102706	SCREW M6X20 ZINC.	4
9	1612501300	BOX PN23-33	1	40	4026102707	SCREW M6X25 ZINC.	8
10	1621501600	ROTOR PN23 DX	1	41	4026102802	SCREW M8X12 ZINC.	3
	1621501700	ROTOR PN33 DX	1	42	4026102806	SCREW M8X20 ZINC.	10
11	1622002600	PIN	1	43	4026102807	SCREW M8X25 ZINC.	10
12	1623500500	CAP NUT PN23-33	1	44	4026121407	SCREW M8X25 ZINC.	2
13	162409YKB0	DISTANCERING	1	45	4026305612	SELFBLOCKING M20X1,5	1
14	1624202300	DISTANCERING	1	46	4026350909	TOOTH WASHER M8	1
15	1627501600	MANIFOLD PN23-33	1	47	4026351504	TOOTH WASHER M6	18
16	1640100000	COVER	1	48	4026351505	TOOTH WASHER M8	20
17	1642600000	GASKET	2	49	4026356004	FLAT WASHER 8X32	1
18	1651000200	PINION PN23-33	1	50	4026356010	FLAT WASHER 10X30	3
19	1651000300	WHELL PN23-33	1	51	4026500018	TAB. 6X10	1
20	1680600400	GASKET	1	52	4026510025	SEAL RING SEEGER	2
21	1680700300	GASKET	1	53	4026702706	WASHER 1"	1
22	1680700800	GASKET	1	54	4026706000	FITTING 4X1/8	2
23	1680700900	GASKET	1	55	4026904003	PLUG 1"	1
24	1683600100	PLUG FOR OIL LEVEL	1	56	4029602806	GASKET	1
25	1684000000	RELIEF PLUG 3/8	2	57	1663014500	MULTIPLIER HOSE PN23	1
26	1685100000	FLAT WASHER	4		1663014600	MULTIPLIER HOSE PN33	1
27	1685100800	FLAT WASHER	2	58	1663014300	MULTIPLIER HOSE PN23	1
28	1687502600	PUMP HOUSING PN23	1		1663014400	MULTIPLIER HOSE PN33	1
	1687502700	PUMP HOUSING PN33	1				

PN 23-33 D - HDR



PN23-33 D - HDR

Pos.	Code	Description	Q.ty	Pos.	Code	Description	Q.ty
PN23-33 HYDRAULIC DRIVE							
H1	1470101600	JOINT HDR	1	H15	4026305612	SELFBLOCKING M20X1,5	1
H2	1610504000	FLANGE PN23-33	1	H16	4026350505	GROWER WASHER M8	7
H3	1612504900	BOX HDR PN23-33	1	H17	4026351505	TOOTH WASHER M8	6
H4	1621502600	ROTOR PN23 SX	1	H18	4026359001	WASHER	1
	1621501600	ROTOR PN23 DX	1	H19	4026414614	PLUG 3X30	1
	1621502700	ROTOR PN33 SX	1	H20	4026510025	SEAL RING SEEGER	1
	1621501700	ROTOR PN33 DX	1	H21	4026710013	FITTING 1/2"	1
H5	1680701000	GASKET	1	H22	4026710015	FITTING 3/4"	1
H6	1684002100	SEAL RING PN23-33	1	H23	4026904003	RELIEF PLUG 1"	1
H7	4022100010	GREASE	1	H24	4029602700	CAP NUT	1
H8	4022200025	SEAL RING 55X35X10	2	H25	4026500018	TAB. 6X10	1
H9	4022200037	SEAL RING 65X48X10	1	SMOOTH SHAFT - SPLINED SHAFT			
H10	4022200230	SEAL RING OR 4575	1	D1	1610500900	FLANGE	1
H11	4023100110	BEARING 6206	1	D2	1650000500	SMOOTH SHAFT	1
H12	4024107206	MOTOR HDR SX	1	D3	1650000400	SPLINED SHAFT	1
	4024107206	MOTOR HDR DX	1	D4	4026121407	SCREW M8X25	3
H13	4026102807	SCREW M6X25 ZINC.	6	D5	4026121413	SCREW M8X90	1
H14	4026121407	SCREW M8X25 ZINC.	7	D6	4026350505	GROWER WASHER M8	3
				D7	4026351505	WASHER M8	1