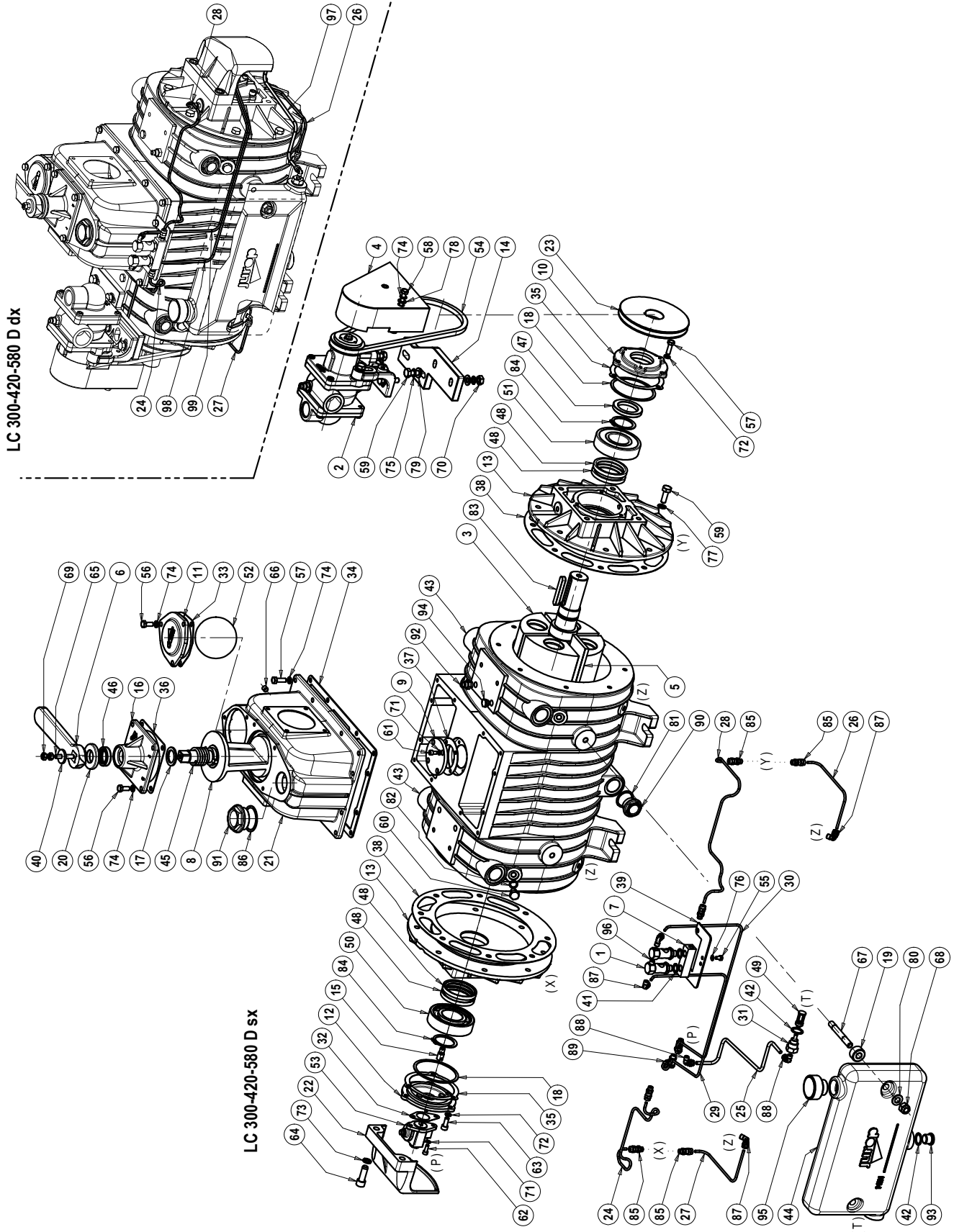


LC 300-420-580 D



LC 300 D

Pos.	Code	Description	Q.ty	Pos.	Code	Description	Q.ty
1	1401200700	OIL DRIPPER	2	50	4023100047	BEARING 6309 C3	1
2	1407200900	WATER PUMP SX (LC D SX)	1	51	4023110098	BEARING NU 309 ECJ/C3	1
	1407200800	WATER PUMP DX (LC D DX)	1	52	4023250501	RUBER BALL D80	1
3	1521506500	ROTOR LC300 D	1	53	4024251000	OIL PUMP CW ROTATION (LC D DX)	1
	1521506400	ROTOR LC300 D USA	1		4024251500	OIL PUMP CCW ROTATION (LC D SX)	1
4	154201TWB0	BELT PROTECTION LC D SX	1	54	4025350019	BELTSPZ 925	1
	154201TVB0	BELT PROTECTION LC D DX	1	55	4026101301	SCREW M6X10	2
5	1601606400	VANE LC300	4	56	4026102806	SCREW M8X20	7
6	1605500000	HANDLE	1	57	4026102807	SCREW M8X25	16
7	1608100000	DISTRIBUTOR	1	58	4026102819	SCREW M8X90	2
8	1608501700	CONVEYOR	1	59	4026102908	SCREW M10X30	18
9	1610051700	FLANGE	1	60	4026103030	SCREW M12X16	4
10	1610508200	FLANGE	1	61	4026120301	SCREW M6X12	4
11	1610510800	FLANGE	1	62	4026121305	SCREW M6X16	2
12	1610512900	OIL PUMP FLANGE	1	63	4026121405	SCREW M8X20	3
13	1610513500	FLANGE	2	64	4026121710	SCREW M12X35	2
14	161201X4B0	PUMP SUPPORT	1	65	4026135414	SCREW M8X45	1
15	1622002600	SHAFT M10	1	66	4026135504	SCREW M10X10	1
16	1623100000	CONVEYOR FLANGE	1	67	4026171211	SCREW M12X80	2
17	1624027500	SPACER	1	68	4026305508	NUT M12 SELFLOCKING	2
18	1624037700	SPACER	2	69	4026308005	NUT M8	2
19	1624042800	SPACER	2	70	4026308006	NUT M10	2
20	1624202300	4 WAYS SPACER	1	71	4026350503	WASHER GROWER M6 Q	6
21	1627505300	MANIFOLD	1	72	4026350505	WASHER GROWER M8 Q	6
22	1642100200	REAR PROTECTION	1	73	4026350508	WASHER GROWER M12 Q	2
23	165351TXB0	DRIVEN PULLEY	1	74	4026350706	WASHER GROWER M8 P	21
24	16630D5SB0	LUBRICATION LINE	1	75	4026350708	WASHER GROWER M10 P	4
25	16630D5PB0	LUBRICATION LINE	1	76	4026351504	TOOTHED WASHER M6	2
	16630D5IB0	LUBRICATION LINE USA	1	77	4026351506	TOOTHED WASHER M10	16
26	166301SZB0	LUBRICATION LINE	1	78	4026357005	WASHER M8	2
27	166301T0B0	LUBRICATION LINE	1	79	4026357006	WASHER M10	4
28	16630D5TB0	LUBRICATION LINE	1	80	4026357007	WASHER M12	2
29	16630D5XB0	LUBRICATION LINE	1	81	4026359001	WASHER 40X33.5X1.5 AL	6
	16630D5WB0	LUBRICATION LINE USA		82	4026359006	WASHER 13.5X18X1.5 AL	4
30	16630D61B0	LUBRICATION LINE	1	83	4026501008	TAB 12X8X70	1
31	1673001000	OIL FILTER PLUG	1	84	4026510032	SEEGER E45	2
32	1680609700	OIL PUMP GASKET	1	85	4026702000	FITTING	6
33	1680611600	MANIFOLD GASKET	1	86	/		
34	1680614300	MANIFOLD GASKET	1	87	4026706000	FITTING	4
35	1680707300	FLANGE GASKET	2	88	4026706003	FITTING	2
36	1680700200	FLANGE GASKET	1	89	4026706101	FITTING	2
37	1680709700	GASKET	1	90	4026904003	PLUG 1"	6
38	1680709800	HOUSING GASKET	2	91	/		
39	16120CJ5B0	OIL DRIPPER FLANGE	1	92	4026904300	VENT PLUG 1/4"	2
40	1685002800	WASHER 30X8.5X4	1	93	4026904503	PLUG M20X1.5	1
41	1685100000	WASHER 14X20X1.5 AL	2	94	4026905002	PLUG 1/4"	2
42	1685100300	WASHER D 20	2	95	4026910103	PLUG	1
43	16875BHDB0	HOUSING LC300	1	96	4026910601	PLUG 1/8	2
44	1687600000	OIL TANK	1	97	16630D5MB0	LUBRICATION LINE	1
45	1691000000	SPRING	1		16630D5IB0	LUBRICATION LINE USA	1
46	4022200030	Y-SEAL 41X27X10	1	98	16630D60B0	LUBRICATION LINE	1
47	4022200044	Y-SEAL 65X45X8	1		16630D60B0	LUBRICATION LINE USA	1
48	4022200416	Y-SEAL 60X75X8	4	99	16630D5WB0	LUBRICATION LINE	1
49	4022300001	OIL FILTER	1		16630D5WB0	LUBRICATION LINE USA	1

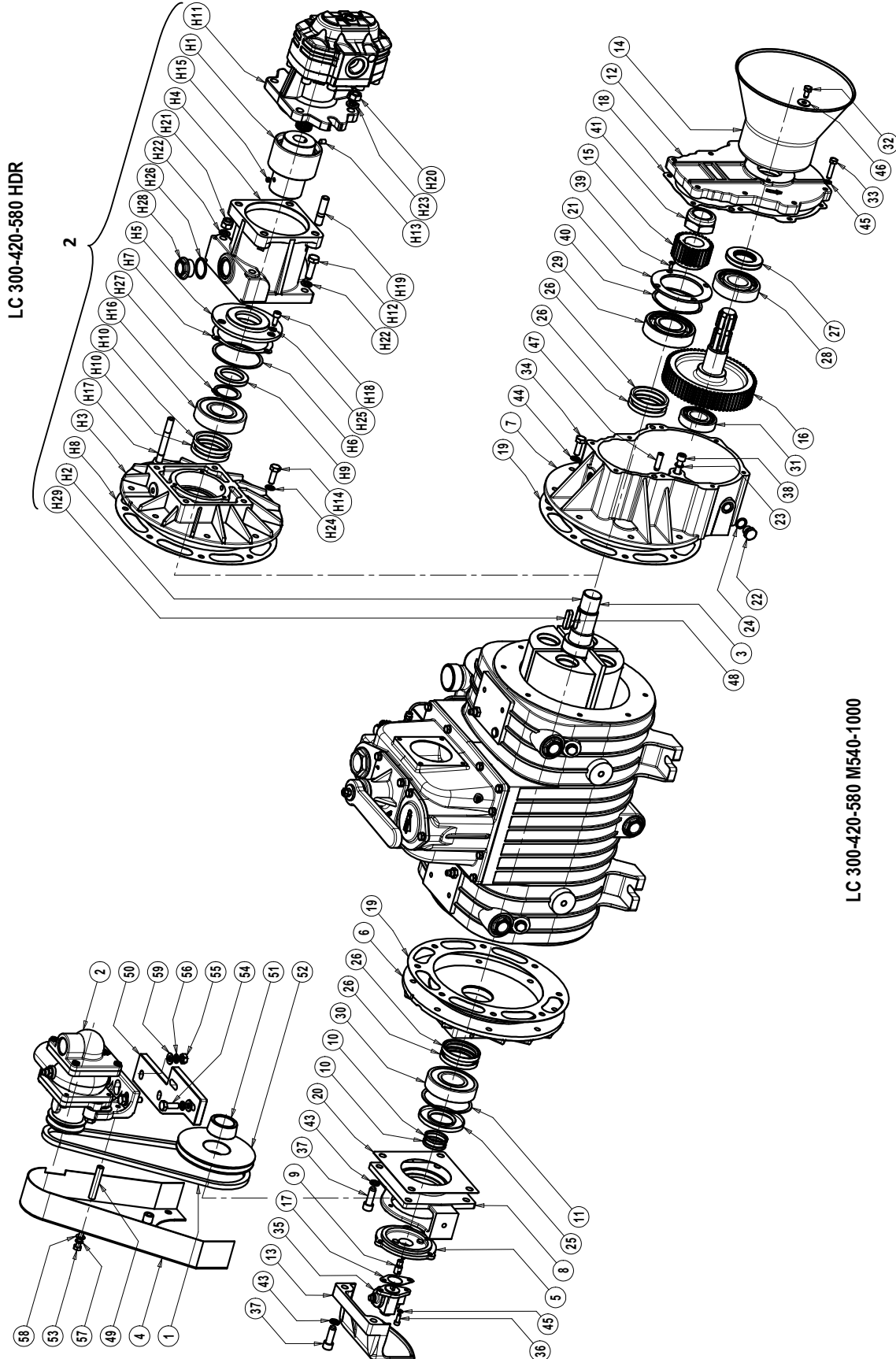
LC 420 D

Pos.	Code	Description	Q.ty	Pos.	Code	Description	Q.ty
1	1401200700	OIL DRIPPER	2	50	4023100047	BEARING 6309 C3	1
2	1407200900	WATER PUMP SX (LC D SX)	1	51	4023110098	BEARING NU 309 ECJ/C3	1
	1407200800	WATER PUMP DX (LC D DX)	1	52	4023250502	RUBBER BALL D90	1
3	1521505900	ROTOR LC420 D	1	53	4024251000	OIL PUMP CW ROTATION (LC D DX)	1
	1521505700	ROTOR LC420 D USA	1		4024251500	OIL PUMP CCW ROTATION (LC D SX)	1
4	154201TWB0	BELT PROTECTION LC D SX	1	54	4025350019	BELTSPZ 925	1
	154201TVB0	BELT PROTECTION LC D DX	1	55	4026101301	SCREW M6X10	2
5	1601606300	VANE LC420	4	56	4026102806	SCREW M8X20	7
6	1605500100	HANDLE	1	57	4026102807	SCREW M8X25	16
7	1608100000	DISTRIBUTOR	1	58	4026102819	SCREW M8X90	2
8	1608502500	CONVEYOR	1	59	4026102908	SCREW M10X30	18
9	1610051700	FLANGE	1	60	4026103030	SCREW M12X16	4
10	1610508200	FLANGE	1	61	4026120301	SCREW M6X12	4
11	1610509800	FLANGE	1	62	4026121305	SCREW M6X16	2
12	1610512900	OIL PUMP FLANGE	1	63	4026121405	SCREW M8X20	3
13	1610513500	FLANGE	2	64	4026121710	SCREW M12X35	2
14	161201X4B0	PUMP SUPPORT	1	65	4026135414	SCREW M8X45	1
15	1622002600	SHAFT M10	1	66	4026135504	SCREW M10X10	1
16	1623100500	CONVEYOR FLANGE	1	67	4026171211	SCREW M12X80	2
17	1624027500	SPACER	1	68	4026305508	NUT M12 SELFLOCKING	2
18	1624037700	SPACER	2	69	4026308005	NUT M8	2
19	1624042800	SPACER	2	70	4026308006	NUT M10	2
20	1624202300	4 WAYS SPACER	1	71	4026350503	WASHER GROWER M6 Q	6
21	1627504600	MANIFOLD	1	72	4026350505	WASHER GROWER M8 Q	6
22	1642100200	REAR PROTECTION	1	73	4026350508	WASHER GROWER M12 Q	2
23	165351TXB0	DRIVEN PULLEY	1	74	4026350706	WASHER GROWER M8 P	21
24	166301STB0	LUBRICATION LINE	1	75	4026350708	WASHER GROWER M10 P	4
25	166301SXB0	LUBRICATION LINE	1	76	4026351504	TOOTHED WASHER M6	2
	166303QXB0	LUBRICATION LINE USA	1	77	4026351506	TOOTHED WASHER M10	16
26	166301SZB0	LUBRICATION LINE	1	78	4026357005	WASHER M8	2
27	166301T0B0	LUBRICATION LINE	1	79	4026357006	WASHER M10	4
28	166301T1B0	LUBRICATION LINE	1	80	4026357007	WASHER M12	2
29	166301T5B0	LUBRICATION LINE	1	81	4026359001	WASHER 40X33.5X1.5 AL	6
30	166301T8B0	LUBRICATION LINE	1	82	4026359006	WASHER 13.5X18X1.5 AL	4
31	1673001000	OIL FILTER PLUG	1	83	4026501008	TAB 12X8X70	1
32	1680609700	OIL PUMP GASKET	1	84	4026510032	SEEGER E45	2
33	1680610500	MANIFOLD GASKET	1	85	4026702000	FITTING	6
34	1680614300	MANIFOLD GASKET	1	86	4026702708	WASHER 1"1/2 CU	1
35	1680707300	FLANGE GASKET	2	87	4026706000	FITTING	4
36	1680707800	FLANGE GASKET	1	88	4026706003	FITTING	2
37	1680709700	GASKET	1	89	4026706101	FITTING	2
38	1680709800	HOUSING GASKET	2	90	4026904003	PLUG 1"	6
39	1681100200	OIL DRIPPER FLANGE	1	91	4026904005	PLUG 1"1/2	1
40	1685002800	WASHER 30X8.5X4	1	92	4026904300	VENT PLUG 1/4"	2
41	1685100000	WASHER 14X20X1.5 AL	2	93	4026904503	PLUG M20X1.5	1
42	1685100300	WASHER D 20	2	94	4026905002	PLUG 1/4"	2
43	1687508200	HOUSING LC420	1	95	4026910103	PLUG	1
44	1687600000	OIL TANK	1	96	4026910601	PLUG 1/8	2
45	1691000000	SPRING	1	97	166301SWB0	LUBRICATION LINE	1
46	4022200030	Y-SEAL 41X27X10	1		166303QWB0	LUBRICATION LINE USA	1
47	4022200044	Y-SEAL 65X45X8	1	98	1663062600	LUBRICATION LINE	1
48	4022200416	Y-SEAL 60X75X8	4	99	1663062700	LUBRICATION LINE	1
49	4022300001	OIL FILTER	1				

LC 580 D

Pos.	Code	Description	Q.ty	Pos.	Code	Description	Q.ty
1	1401200700	OIL DRIPPER	2	50	4023100047	BEARING 6309 C3	1
2	1407200900	WATER PUMP SX (LC D SX)	1	51	4023110098	BEARING NU 309	1
	1407200800	WATER PUMP DX (LC D DX)	1	52	4023250502	RUBBER BALL D80	1
3	1521507300	ROTOR LC580 D	1	53	4024251000	OIL PUMP CW ROTATION (LC D DX)	1
4	154201TWB0	BELT PROTECTION LC D SX	1		4024251500	OIL PUMP CW ROTATION (LC D SX)	1
	154201TVB0	BELT PROTECTION LC D DX	1	54	4025350020	BELTSPZ 925	1
5	16016BXNB0	VANE LC580	4	55	4026101301	SCREW M6X10	2
6	1605500100	HANDLE	1	56	4026102806	SCREW M8X20	7
7	1608100000	DISTRIBUTOR	1	57	4026102807	SCREW M8X25	16
8	1608502500	CONVEYOR	1	58	4026102819	SCREW M8X90	2
9	1610051700	FLANGE	1	59	4026102908	SCREW M10X30	18
10	1610508200	FLANGE	1	60	/		
11	1610509800	FLANGE	1	61	4026121303	SCREW M6X12	4
12	1610512900	OIL PUMP FLANGE	1	62	4026121305	SCREW M6X16	2
13	1610514300	FLANGE	2	63	4026102806	SCREW M8X20	3
14	161201X4B0	PUMP SUPPORT	1	64	4026121710	SCREW M12X35	2
15	1622002600	SHAFT M10	1	65	4026135414	SCREW M8X45	1
16	1623100500	CONVEYOR FLANGE	1	66	4026135504	SCREW M10X10	1
17	1624027500	SPACER	1	67	4026171211	SCREW M12X80	2
18	4026300025	SPACER	2	68	4026305508	NUT M12 SELFLOCKING	2
19	1624042800	SPACER	2	69	4026308005	NUT M8	2
20	1624202300	4 WAYS SPACER	1	70	4026308006	NUT M10	2
21	1627504600	MANIFOLD	1	71	4026350503	WASHER GROWER M6 Q	6
22	1642100200	REAR PROTECTION	1	72	4026351505	WASHER GROWER M8 Q	6
23	165351TXB0	DRIVEN PULLEY	1	73	4026350508	WASHER GROWER M12 Q	2
24	1663069100	LUBRICATION LINE	1	74	4026350706	WASHER GROWER M8 P	21
25	1663069500	LUBRICATION LINE	1	75	4026350708	WASHER GROWER M10 P	4
26	1663068900	LUBRICATION LINE	1	76	4026351504	TOOTHED WASHER M6	2
27	1663069000	LUBRICATION LINE	1	77	4026351507	TOOTHED WASHER M10	16
28	1663068700	LUBRICATION LINE	1	78	4026357005	WASHER M8	2
29	1663069600	LUBRICATION LINE	1	79	4026357006	WASHER M10	4
30	1663069700	LUBRICATION LINE	1	80	4026357007	WASHER M12	2
31	1673001000	OIL FILTER PLUG	1	81	4026359001	WASHER 40X33.5X1.5 AL	6
32	1680609700	OIL PUMP GASKET	1	82	/		
33	1680610500	MANIFOLD GASKET	1	83	4026501007	TAB 12X8X63	1
34	1680614300	MANIFOLD GASKET	1	84	/		
35	1680707300	FLANGE GASKET	2	85	4026702000	FITTING	6
36	1680707800	FLANGE GASKET	1	86	/		
37	1680709700	GASKET	1	87	4026706000	FITTING	4
38	1680712200	HOUSING GASKET	2	88	4026706003	FITTING	2
39	1681100200	OIL DRIPPER FLANGE	1	89	4026706101	FITTING	2
40	1685002800	WASHER 30X8.5X4	1	90	4026904003	PLUG 1"	6
41	1685100000	WASHER 14X20X1.5 AL	2	91	/		
42	1685100300	WASHER D 20	2	92	4026904300	VENT PLUG 1/4"	2
43	1687511000	HOUSING LC580	1	93	4026904503	PLUG M20X1.5	1
44	1687600000	OIL TANK	1	94	4026904300	PLUG 1/4"	2
45	1691000000	SPRING	1	95	4026910103	PLUG	1
46	4022200030	Y-SEAL 41X27X10	1	96	4026910601	PLUG 1/8	2
47	4022200044	Y-SEAL 65X45X8	1	97	1663069200	LUBRICATION LINE	1
48	4022200113	Y-SEAL 70X55X15	4	98	1663069400	LUBRICATION LINE	1
49	4022300001	OIL FILTER	1	99	1663069300	LUBRICATION LINE	1

LC 300-420-580 M540 - M1000 - HDR



LC 300-420-580 M540-1000

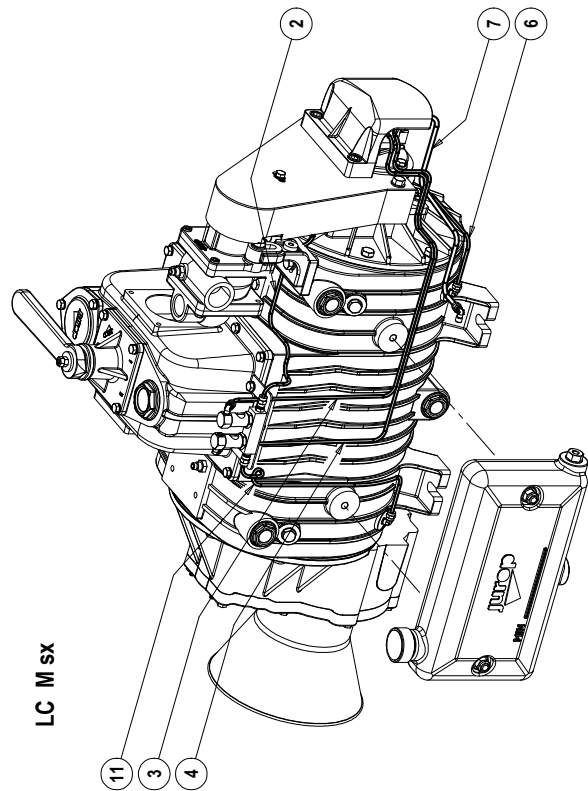
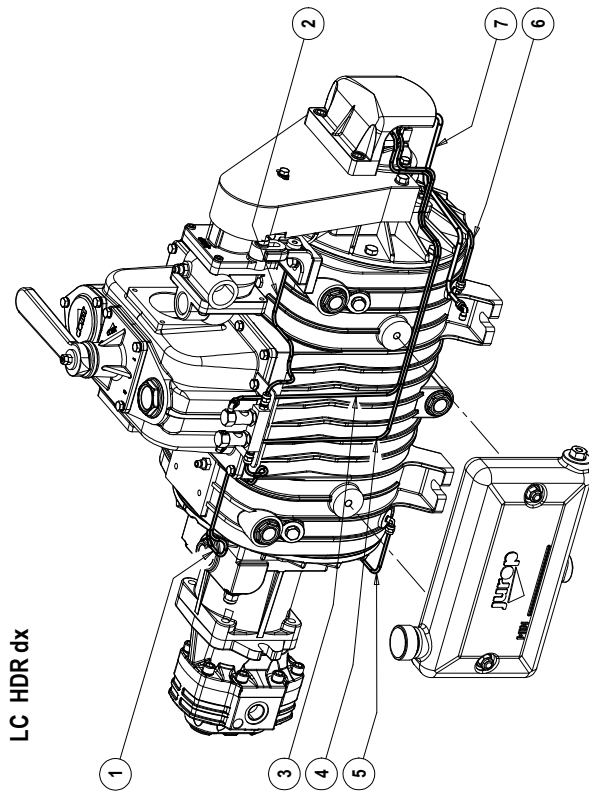
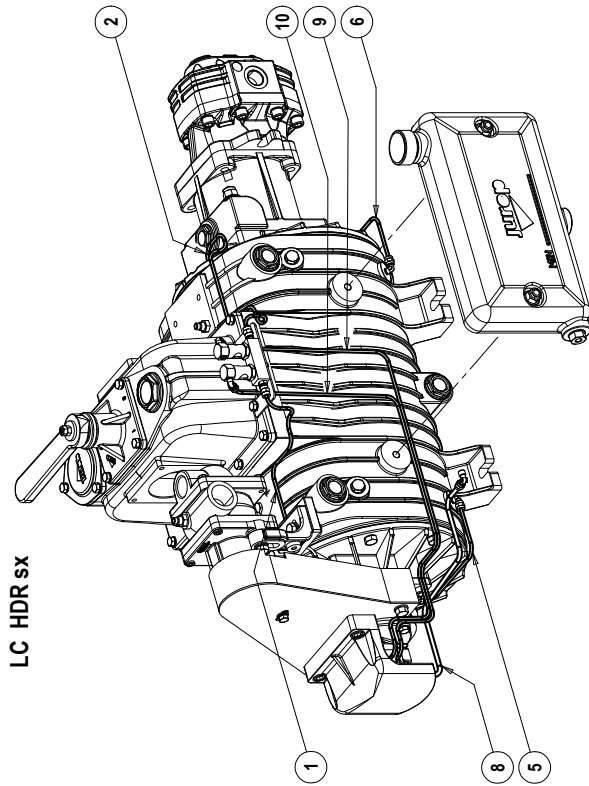
LC 300-420 M540 - M1000 - HDR

Pos.	Code	Description	Q.ty	Pos.	Code	Description	Q.ty
1		GEARBOX 540 – 1000 RPM		44	4026351506	TOOTHED WASHER M10	15
1	4025350019	BELT SPZ 925	1	45	4026351505	TOOTHED WASHER M8	11
2	1407200900	WATER PUMP SX (LC M SX - LC HDR DX)	1	46	4026356002	FLAT WASHER 8X24	3
	1407200800	WATER PUMP DX (LC M DX - LC HDR SX)	1	47	4026401806	PIN10X36	2
3	1521506800	ROTOR LC300 M	1	48	4026501003	TAB 12X8X40	1
	1521505800	ROTOR LC420 M	1	49	162403N3B0	SPACER	1
4	154201TUB0	PROTECTION (LC M SX – HDR DX)	1	50	161201X4B0	WATER PUMP SUPPORT	1
	154201TSB0	PROTECTION (LC M DX – HDR SX)	1	51	4025426003	BUSHING	1
5	1610512900	OIL PUMP SUPPORT	1	52	4025426209	PULLEY 150X1 SPZ	1
6	1610513500	FLANGE	1	53	4026102819	SCREW M8X90	1
	1610513600	GEARBOX M	1	54	4026102908	SCREW M10X30	1
8	1613501400	OIL PUMP FLANGE	1	55	4026308006	NUT M10	2
9	1622002600	SHAFT M10	1	56	4026350708	WASHER GROWER M10 P	4
10	1624037500	SPACER	2	57	4026350706	WASHER GROWER M8 P	21
11	1624037700	SPACER	1	58	4026357005	WASHER M8	1
12	1640501200	GEARBOX FLANGE	1	59	4026357006	WASHER M10	6
13	1642100200	REAR PROTECTION	1				
14	4029602806	DRIVE SHAFT PROTECTION	1				
15	1651005500	PINION Z28 (540 RPM)	1	2		HYDRAULIC DRIVE	
	1651010700	PINION Z42 (1000 RPM)	1	H1	1470102300	JOINT	1
16	1651010500	GEAR Z70 (540 RPM)	1	H2	1521506700	ROTOR LC300 HDR	1
	1651010600	GEAR Z56 (1000 RPM)	1		1521506000	ROTOR LC420 HDR	1
17	1680609700	OIL PUMP GASKET	1	H3	1610513500	FLANGE	2
18	1680614100	GEARBOX GASKET	1	H4	1612501000	BRACKET HDR	1
19	1680709800	HOUSING GASKET	2	H5	1610021600	FLANGE HDR	1
20	1680710000	GASKET	1	H6	1624037700	SPACER	1
21	1681006500	COMP. RING FLANGE	1	H7	1680707300	GASKET	1
22	1684000000	PLUG 3/8"	3	H8	1680709800	GASKET	1
23	1685100100	WASHER 10X16X1.5 CU	2	H9	4022200044	Y-SEAL 65X45X8	1
24	1685100200	WASHER 17X22X1.5 AL	3	H10	4022200416	Y-SEAL 60X75X8	2
25	4022200008	Y-SEAL 90X45X8	1	H11	4024107009	MOTOR LC300	1
26	4022200416	Y-SEAL 60X75X8	4		4024107001	MOTOR LC420	1
27	4022200040	Y-SEAL 72X40X10	1	H12	4026101613	SCREW M12X40	2
28	4023100039	BEARING 6308	1	H13	4026136006	SCREW M8X14	1
29	4023100047	BEARING 6309 C3	1	H14	4026102908	SCREW M10X30	8
30	4023110098	BEARING NU 309 ECJ/C3	1	H15	4026136003	SCREW M8X8	1
31	4023100020	BEARING 6207	1	H16	4023110098	BEARING NU309 ECJ/C3	2
32	4026102804	SCREW M8X16	3	H17	4026171211	SCREW M12X80	4
33	4026102809	SCREW M8X35	8	H18	4026121405	SCREW M8X20	3
34	4026102908	SCREW M10X30	16	H19	4026171304	SCREW M14X40	4
35	4024251000	OIL PUMP DX (LC M SX - LC HDR DX)	1	H20	4026308008	NUT M14	4
	4024251500	OIL PUMP SX(LC M DX - LC HDR SX)	1	H21	4026305508	NUT M12 SELFLOCKING	4
36	4026121305	SCREW M6X16	2	H22	4026350609	WASHER GROWER M12 P	4
37	4026121710	SCREW M12X35	6	H23	4026350610	WASHER GROWER M14 P	4
38	4026121813	SCREW M10X50	2	H24	4026351506	WASHER M10	8
39	4026155503	SCREW M5X12	4	H25	4026351505	WASHER M8	3
40	4026300025	COMPENSATION RING	1	H26	4026359001	WASHER 40X33.5X1.5 AL	1
41	4026306115	BOLT M36X3 SELFLOCKING	1	H27	4026510032	SEEGER E45	1
42	4026350503	WASHER GROWER M6 Q	6	H28	4026904003	PLUG 1"	1
43	4026350508	WASHER GROWER M12 Q	6	H29	4026501004	TAB 12X8X45	1

LC 580 M540 - M1000 - HDR

Pos.	Code	Description	Q.ty	Pos.	Code	Description	Q.ty
1		MOLTIPLICATORE 540 – 1000 RPM		44	4026351507	TOOTHED WASHER M12	15
1	4025350020	BELT SPZ 925	1	45	4026351505	TOOTHED WASHER M8	11
2	1407200900	WATER PUMP SX (LC M SX - LC HDR DX)	1	46	4026356002	FLAT WASHER 8X24	3
	1407200800	WATER PUMP DX (LC M DX - LC HDR SX)	1	47	4026401806	PIN10X36	2
3	1521507400	ROTOR LC580 M	1	48	4026501004	TAB 12X8X45	1
4	154201TUB0	PROTECTION (LC M SX – HDR DX)	1	49	162403N3B0	SPACER	1
	154201TSB0	PROTECTION (LC M DX – HDR SX)		50	161201X4B0	WATER PUMP SUPPORT	1
5	1610512900	OIL PUMP SUPPORT	1	51	4025426003	BUSHING	1
6	1610514300	FLANGE	1	52	4025426209	PULLEY 150X1 SPZ	1
7	1610514400	GEARBOX M	1	53	4026102819	SCREW M8X90	1
8	1613501400	OIL PUMP FLANGE	1	54	4026102908	SCREW M10X30	1
9	1622002600	SHAFT M10	1	55	4026308006	NUT M10	2
10	1624037500	SPACER	2	56	4026350708	WASHER GROWER M10 P	4
11	4026300025	SPACER	1	57	4026350706	WASHER GROWER M8 P	21
12	164059V5B0	GEARBOX FLANGE	1	58	4026357005	WASHER M8	1
13	1642100200	REAR PROTECTION	1	59	4026357006	WASHER M10	6
14	4029602806	DRIVE SHAFT PROTECTION	1				
15	1651005300	PINION Z25 (540 RPM)	1				
	1651011500	PINION Z36 (1000 RPM)	1				
16	165109KEB0	GEAR Z53 (540 RPM)	1	2		HYDRAULIC DRIVE	
	1651011400	GEAR Z42 (1000 RPM)	1	H1	14701BEBB0	JOINT	1
17	1680609700	OIL PUMP GASKET	1	H2	1521507500	ROTOR LC580 HDR	1
18	16807BCNB0	GEARBOX GASKET	1	H3	1610514300	FLANGE	2
19	1680712200	HOUSING GASKET	2	H4	1612501000	BRACKET HDR	1
20	1680710000	GASKET	1	H5	1610021600	FLANGE HDR	1
21	1681006500	COMP. RING FLANGE	1	H6	4026300025	SPACER	1
22	1684000000	PLUG 3/8"	3	H7	1680707300	GASKET	1
23	4026351507	WASHER 1/2" CU	2	H8	1680712200	GASKET	1
24	1685100200	WASHER 17X22X1.5 AL	3	H9	4022200044	Y-SEAL 65X45X8	1
25	4022200008	Y-SEAL 90X45X8	1	H10	4022200113	Y-SEAL 60X75X8	2
26	4022200113	Y-SEAL 70X55X15 (N°1 PER LATO)	4	H11	4024107004	MOTOR HDR LC580	1
27	4022200040	Y-SEAL 72X40X10	1	H12	4026101613	SCREW M12X40	2
28	4023100039	BEARING 6308	1	H13	4026136005	SCREW M8X12	1
29	4023100047	BEARING 6309	1	H14	4026103002	SCREW M12X30	8
30	4023100047	BEARING 6309	1	H15	4026136005	SCREW M8X12	1
31	4023100020	BEARING 6207	1	H16	4023100150	BEARING 6309	2
32	4026102804	SCREW M8X16	3	H17	4026171211	SCREW M12X80	4
33	4026102810	SCREW M8X40	8	H18	4026120403	SCREW M8X20	3
34	4026102908	SCREW M10X30	16	H19	4026171304	SCREW M14X40	4
35	4024251000	OIL PUMP DX (LC M SX - LC HDR DX)	1	H20	4026308008	NUT M14	4
	4024251500	OIL PUMP SX (LC M DX - LC HDR SX)	1	H21	4026305508	NUT M12 SELFLOCKING	4
36	4026121305	SCREW M6X16	2	H22	4026350710	WASHER GROWER M14	4
37	4026103002	SCREW M12X30	6	H23	4026350610	WASHER GROWER M14 P	4
38	4026121708	SCREW M12X25	2	H24	4026351507	WASHER M12	8
39	4026155505	SCREW M5X12	4	H25	4026351505	WASHER M8	3
40	4026300025	COMPENSATION RING	1	H26	4026359001	WASHER 40X33.5X1.5 AL	1
41	4026306115	BOLT M36X3 SELFLOCKING	1	H27	/		
42	4026350503	WASHER GROWER M6 Q	6	H28	4026904003	PLUG 1"	1
43	4026350508	WASHER GROWER M12 Q	6	H29	4026501004	TAB 12X8X45	1

LUBRICATION LINES LC 300-420-580 M - HDR



Lubrication lines LC 300 HDR - M

Pos.	Code	Description	Q.ty	Pos.	Code	Description	Q.ty
1	16630D5SB0	LUBRICATION LINE	1	7	16630D5LB0	LUBRICATION LINE	1
2	16630D5TB0	LUBRICATION LINE	1	8	16630D5JB0	LUBRICATION LINE	1
3	16630D5UB0	LUBRICATION LINE	1	9	166301T7B0	LUBRICATION LINE	1
4	16630D5YB0	LUBRICATION LINE	1	10	166301T4B0	LUBRICATION LINE	1
5	166301T0B0	LUBRICATION LINE	1	11	16630D5QB0	LUBRICATION LINE	1
6	166301SZB0	LUBRICATION LINE	1				

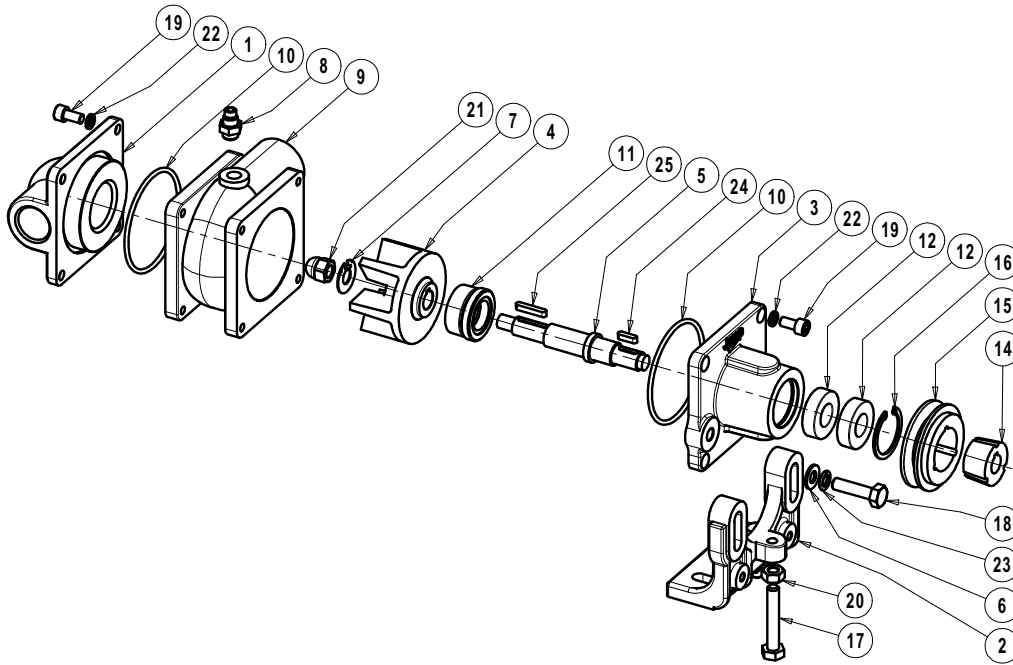
Lubrication lines LC 420 HDR - M

Pos.	Code	Description	Q.ty	Pos.	Code	Description	Q.ty
1	166301STB0	LUBRICATION LINE	1	7	166301SVB0	LUBRICATION LINE	1
2	166301T1B0	LUBRICATION LINE	1	8	166301SUB0	LUBRICATION LINE	1
3	166301T2B0	LUBRICATION LINE	1	9	16630D5ZB0	LUBRICATION LINE	1
4	166301T6B0	LUBRICATION LINE	1	10	16630D5VB0	LUBRICATION LINE	1
5	166301T0B0	LUBRICATION LINE	1	11	166301SYB0	LUBRICATION LINE	1
6	166301SZB0	LUBRICATION LINE	1				

Lubrication lines LC 580 HDR - M

Pos.	Code	Description	Q.ty	Pos.	Code	Description	Q.ty
1	1663069100	LUBRICATION LINE	1	7	1663068400	LUBRICATION LINE	1
2	1663068700	LUBRICATION LINE	1	8	1663069500	LUBRICATION LINE	1
3	1663068500	LUBRICATION LINE	1	9	1663069700	LUBRICATION LINE	1
4	1663068600	LUBRICATION LINE	1	10	1663069600	LUBRICATION LINE	1
5	1663069000	LUBRICATION LINE	1	11	1663068800	LUBRICATION LINE	1
6	1663068900	LUBRICATION LINE	1				

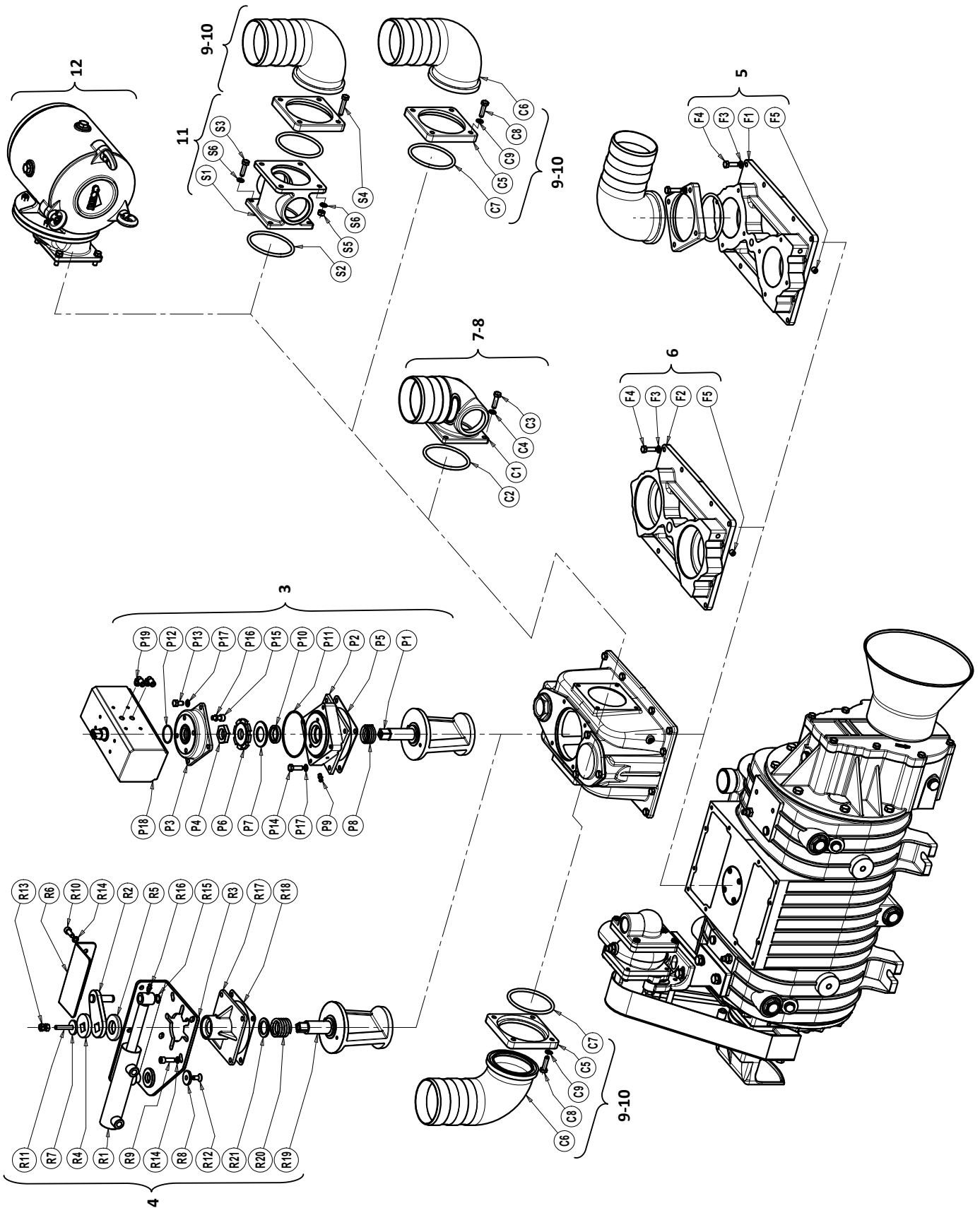
COOLING WATER PUMP LC



Cooling water pump LC

Pos.	Code	Description	Q.ty	Pos.	Code	Description	Q.ty
1	1610506500	REAR FLANGE	1	14	4025422300	BUSHING 2820 Ø 16	1
2	1613500900	LOWER SUPPORT	1	15	4025422402	PULLEY SPZ 71 X 1	1
3	1613501000	FRONT SUPPORT	1	16	4026510525	SEEGER I 42 UNI 7437	1
4	1621502800	IMPELLER	1	17	4026102914	SCREW M8 x 60	1
5	1650009700	SHAFT	1	18	4026107214	SCREW M8 x 10	4
6	4026357006	WASHER M10	6	19	4026120401	SCREW M8 x 16	10
7	1685002400	SAFETY WASHER	1	20	4026308006	NUT M 10	1
8	4026904300	VENT PLUG 1/4	1	21	4026322106	NUT M 12	1
9	1687504500	HOUSING	1	22	4026350505	WASHER GROWER M8	10
10	4022200235	OR 4325	2	23	4026350608	WASHER GROWER M10	4
11	4022216915	MECHANICAL SEAL	1	24	4026500605	TAB 5 x 5 x 18	1
12	4023100516	BEARING 6004 RS1	2	25	4026500609	TAB 5 x 5 x 28	1
13	4025350021	BELT SPZ 975	1				

ACCESSORIES LC 300-420-580



Accessories LC300

Pos.	Code	Description	Q.ty	Pos.	Code	Description	Q.ty
3	143028B7B0	PNEUMATIC OPERATED 4-WAY KIT		6		THREADED MANIFOLD	
P1	160858KNB0	CONVEYOR	1	F2	1627505600	THREADED MANIFOLD	1
P2	161258B4B0	ACTUATOR SUPPORT	1	F3	4026350706	WASHER GROWER M8	12
P3	1640580QB0	ACTUATOR COVER	1	F4	4026102807	SCREW M8X25	12
P4	167007ZAB0	CONVEYOR NUT	1	F5	4026135504	SCREW M10X10	1
P5	1680700200	FALNGE GASKET	1				
P6	168409PQB0	RING NUT	1	7	1852108600	FIXED SUCTION CONVEYOR Ø80 KIT	
P7	168529TFB0	SPACER	1	C1	1627100300	CONVEYOR Ø80	1
P8	1691000200	SPRING	1	C2	4022200307	OR 6287	1
P9	4022100100	GREASING NIPPLE M6X1	1	C3	4026103002	SCREW M12X30	2
P10	4022200005	Y-SEAL 37X27X7	1	C4	4026350709	WASHER GROWER M12	2
P11	4022200330	OR 3375	1				
P12	4022200331	OR 2137	1	8	1852108900	FIXED SUCTION CONVEYOR Ø76 KIT	
P13	4026102804	SCREW M8X16	4	C1	1627100200	CONVEYOR Ø76	1
P14	4026102807	SCREW M8X25	4	C2	4022200307	OR 6287	1
P15	4026121405	SCREW M8X20	4	C3	4026103002	SCREW M12X30	2
P16	4026350505	WASHER GROWER M8	4	C4	4026350709	WASHER GROWER M12	2
P17	4026351505	TOOTHED WASHER M8	8				
P18	4027100405	PNEUMATIC ACTUATOR	1	9	1852109000	TURNING CONVAYOR Ø76 KIT	
P19	4027421206	FITTING R15 6XG1/8	2	C5	1610100000	CONVEYOR FLANGE	1
				C6	1627100500	CONVEYOR Ø76	1
4	143029K2B0	HYDRAULIC OPERATED 4-WAY KIT		C7	4022200307	OR 6287	1
R1	143027T6B0	HYDRAULIC ACTUATOR	1	C8	4026103002	SCREW M12X30	2
R2	150206XXB0	ACTUATOR LEVER	1	C9	4026350709	WASHER GROWER M12	2
R3	151309JVB0	ACTUATOR SUPPORT	1				
R4	16240A0IB0	SPACER	1	12	18521CNGB0	SUCTION FILTER KIT	
R5	1624202300	SPACER	1				
R6	164206XYB0	PROTECTION	1				
R7a	16850A0YB0	WASHER	1				
R7b	168509LLB0	WASHER	1				
R8	168509U0B0	WASHER	1				
R9	4026121407	SCREW M8X25	4				
R10	4026121405	SCREW M8X20	2				
R11	4026135414	SCREW M8X45	1				
R12	4026155705	SCREW M8X16	1				
R13	4026308005	NUT M8	4				
R14	4026350505	WASHER GROWER M8	6				
R15	4026510012	SEEGER E14 7435	1				
R16	4022100100	GREASING NIPPLE M6X1	1				
R17	1623100800	CONVEYOR FLANGE	1				
R18	1680700200	FLANGE GASKET	1				
R19	1608503200	CONVEYOR	1				
R20	1691000000	SPRING	1				
R21	1624027500	SPRING SPACER	1				
5		FLANGED MANIFOLD					
F1	1627505500	FLANGED MANIFOLD	1				
F3	4026350706	WASHER GROWER M8	12				
F4	4026102807	SCREW M8X25	12	18920F3XB0	GASKETS KIT LC300 M		1
F5	4026135504	SCREW M10X10	1	18920F3YB0	GASKETS KIT LC300 D		1

Accessories LC420 - 580

Pos.	Code	Description	Q.ty	Pos.	Code	Description	Q.ty
3	143028GZB0	PNEUMATIC OPERATED 4-WAY KIT		6		THREADED MANIFOLD	
P1	160858KBB0	CONVEYOR	1	F2	1627504900	THREADED MANIFOLD	1
P2	161258H0B0	ACTUATOR SUPPORT	1	F3	4026351505	TOOTHED WASHER M8	12
P3	1640580QB0	ACTUATOR COVER	1	F4	4026102807	SCREW M8X25	12
P4	167007ZAB0	CONVEYOR NUT	1	F5	4026135504	SCREW M10X10	1
P5	1680707800	FALNGE GASKET	1				
P6	168409PQB0	RING NUT	1	7	1852103400	FIXED SUCTION CONVEYOR Ø80 KIT	
P7	168529TFB0	SPACER	1	C1	1627101300	CONVEYOR Ø80	1
P8	1691000200	SPRING	1	C2	4022200310	OR 6362	1
P9	4022100100	GREASING NIPPLE M6X1	1	C3	4026102807	SCREW M8X25	4
P10	4022200005	Y-SEAL 37X27X7	1	C4	4026350706	WASHER GROWER M8	4
P11	4022200330	OR 3375	1				
P12	4022200331	OR 2137	1	8	1852103500	FIXED SUCTION CONVEYOR Ø100 KIT	
P13	4026102804	SCREW M8X16	4	C1	1627101200	CONVEYOR Ø100	1
P14	4026102807	SCREW M8X25	4	C2	4022200310	OR 6362	1
P15	4026121405	SCREW M8X20	4	C3	4026102807	SCREW M8X25	4
P16	4026350505	WASHER GROWER M8	4	C4	4026350706	WASHER GROWER M8	4
P17	4026351505	TOOTHED WASHER M8	8				
P18	4027100405	PNEUMATIC ACTUATOR	1	9	1852103900	TURNING CONVEYOR Ø80 KIT	
P19	4027421206	FITTING R15 6XG1/8	2	C5	1610101100	CONVEYOR FLANGE	1
				C6	1627102700	CONVEYOR Ø80	1
4	143029KRBO	HYDRAULIC OPERATED 4-WAY KIT		C7	4022200310	OR 6362	1
R1	143027T6B0	HYDRAULIC ACTUATOR	1	C8	4026102808	SCREW M8X30	4
R2	15020A10B0	ACTUATOR LEVER	1	C9	4026350706	WASHER GROWER M8	4
R3	151307TJB0	ACTUATOR SUPPORT	1				
R4	1624043400	SPACER	1	10	1852104000	TURNING CONVEYOR Ø100 KIT	
R5	1624202300	SPACER	1	C5	1610101100	CONVEYOR FLANGE	1
R6	164206XYB0	PROTECTION	1	C6	1627102400	CONVEYOR Ø100	1
R7	1685002800	WASHER 30X8.5X4	1	C7	4022200310	OR 6362	1
R8	168509U0B0	WASHER	1	C8	4026102808	SCREW M8X30	4
R9	4026121408	SCREW M8X35	4	C9	4026350706	WASHER GROWER M8	4
R10	4026121405	SCREW M8X20	2				
R11	4026135414	SCREW M8X45	1	11	1852104100	KIT FOR SAFETY VALVE	
R12	4026155705	SCREW M8X16	1	S1	1627102500	CONVEYOR	1
R13	4026308005	NUT M8	4	S2	4022200310	OR 6362	1
R14	4026350505	WASHER GROWER M8	6	S3	4026102807	SCREW M8X25	4
R15	4026510012	SEGER E14 7435	1	S4	4026102810	SCREW M8X40	4
R16	4022100100	GREASING NIPPLE M6X1	1	S5	4026308005	NUT M8	4
R17	1623100500	CONVEYOR FLANGE	1	S6	4026350706	WASHER GROWER M8	8
R18	1680707800	FLANGE GASKET	1				
R19	1608502500	CONVEYOR	1	12	185212L4B0	SUCTION FILTER KIT	
R20	1691000000	SPRING	1				
R21	1624027500	SPRING SPACER	1				
5		FLANGED MANIFOLD					
F1	1627504800	FLANGED MANIFOLD	1	189207X0B0	GASKETS KIT LC420 M		1
F3	4026351505	TOOTHED WASHER M8	12	189207X2B0	GASKETS KIT LC420 D		1
F4	4026102807	SCREW M8X25	12	1892008800	GASKETS KIT LC580 M		1
F5	4026135504	SCREW M10X10	1	1892008900	GASKETS KIT LC580 D		1