

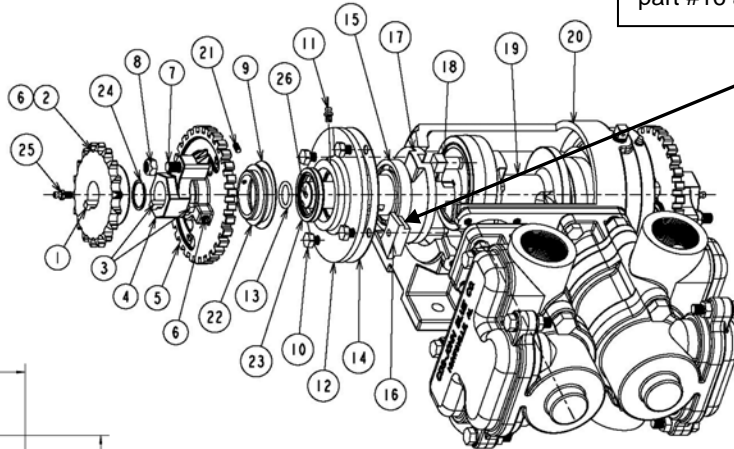
# PARTS LISTING – DOUBLE ADJUSTABLE PUMPS

- Parts unique to the NGP-5655-ARF, NGP-8055-AR, and NGP 9055-AR assemblies  
(refer to the NGP-505x / 805x / 905x chart for common/shared parts)

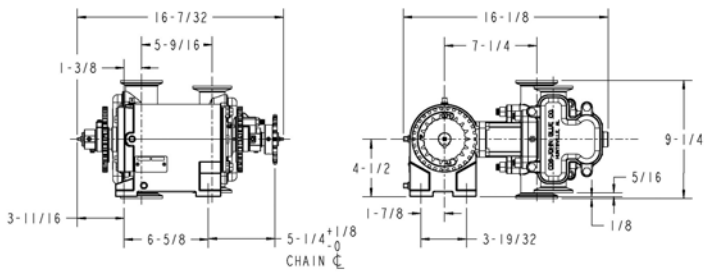
ITEM	PART DESCRIPTION	NGP-8050-AR PART #	NGP-9050-AR PART #
1	SPROCKET KEY	106493-01	106493-01
2	SPROCKET	116055-01	116055-01
3	KEY	L-1020	L-1020
4	SETTING POINTER	115628-01	115628-01
5	SETTING SCALE	L-1002	L-1002
6	5/16 X 3/8 SET SCREW	90532	90532
7	3/8 X 2-1/4 CAR BOLT	115646-01	115646-01
8	3/8 SELF LOCKING NUT	A-3097	A-3097
9	THRUST WASHER	115626-01	115626-01
10	5/16" X 1 BOLT	90637	90637
11	GREASE FITTING	H-28	H-28
12	COVER PLATE	116053-01	116153-01
13	O-RING	L-1022	L-1022
14	GASKET	L-1006	L-3002

ITEM	PART DESCRIPTION	NGP-8055-AR PART #	NGP-9050-AR PART #
15	BEARING	L-1007-A	L-1007-A
16	CRANKCASE INSERT BLOCK	116049-01	N/A
17	SHORT SETTING SLEEVE	116052-01	116154-01
18	ECCENTRIC PIN	L-3004	L-3004
19	SPACER SLEEVE	116051-01	116155-01
20	CRANKCASE	116048-01	115680-01
21	#10-32 X 1/4 SET SCREW	90502	90502
22	SEAL COVER	116054-01	116054-01
23	OIL SEAL	115622-01	115622-01
24	SNAP RING	115791-01	115791-01
25	GREASE ZERK	115647-01	115647-01
26	MAIN SHAFT	116050-01	116050-01

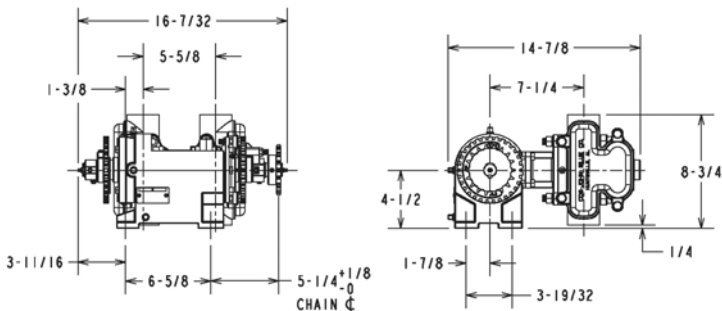
Note: Apply gasket sealant along sides of part #16 at assembly



## NGP-5655-ARF DIMENSIONS



## NGP-8055-AR DIMENSIONS



## NGP-9055-AR DIMENSIONS

