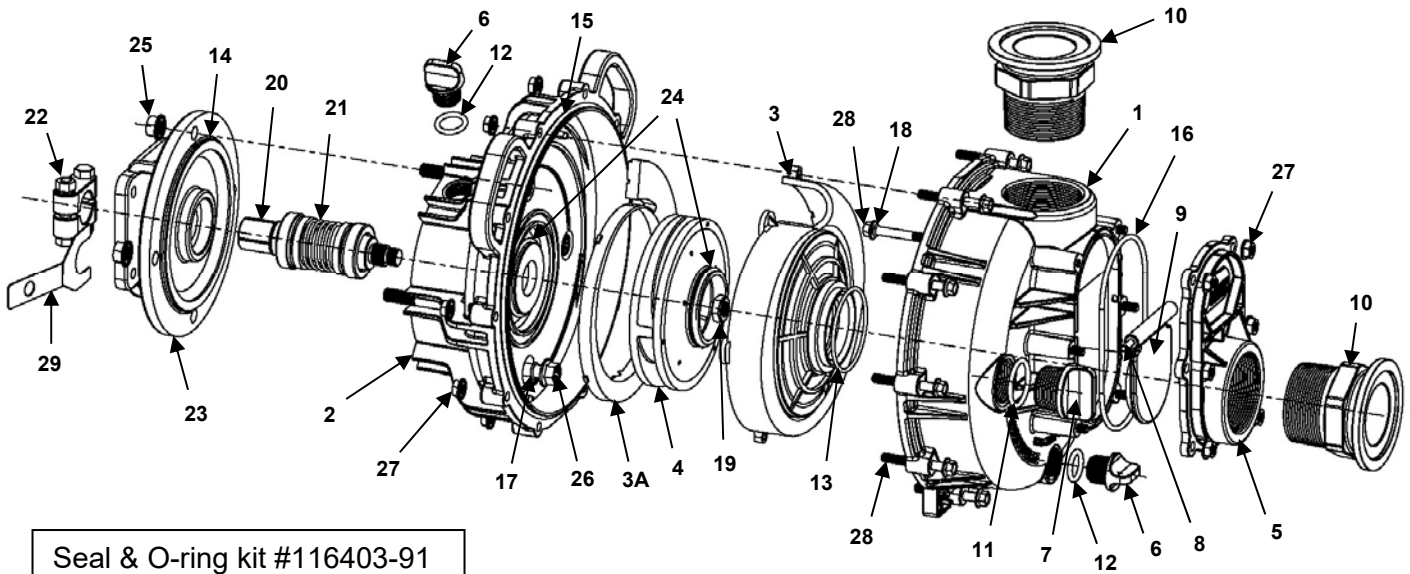


Parts Breakdown:



Seal & O-ring kit #116403-91

Item	Description	Part #
1	HOUSING	116282-01
2	BACKPLATE	116283-01
3	SCROLL PLATE	116284-01A
3A	SCROLL PLATE INSERT	116284-02A
4	IMPELLER	116285-91
5	INLET FLANGE – NPT	116286-01
6	½" PLUG	116288-01
7	1" PLUG	116289-01
8	PIVOT PIN – 316SS	116290-01
9	FLAP – EPDM	116241-01
10	M220 FLANGE ADAPTER TO 2" MPT - OPTIONAL	116287-01
11	#123 VITON O-RING – 1" PLUG	116293-01
12	#115 VITON O-RING – ½" PLUG	116294-01
13	#139 VITON O-RING – VOLUTE	116295-01
14	#049 VITON O-RING – ENGINE ADAPTER	116296-01
15	#270 VITON O-RING – HOUSING	116297-01
16	#158 VITON O-RING – INLET FLANGE	116298-01
17	#012 VITON O-RING – 3/8" BOLTS	116300-01
18	#010 VITON O-RING – ¼" BOLTS	SMPT-0067
19	IMPELLER NUT - 316SS	92033
20	IMPELLER SHAFT – 316SS	116299-01
21	DOUBLE SEAL – 1" VITON, CERAMIC	S-3565-V
22	SHAFT CLAMP	S-3607S
23	ENGINE ADAPTER	S-3556
24	TEFLON RING	116246-01
25	3/8"-16 FLANGED NUT (10 ft-lb max. for re-assembly)	91077
26	3/8"-16 X 3" LG. FLANGED BOLT, 316SS	116291-01
27	1/4"-20 FLANGED NUT (5 ft-lb max. for re-assembly)	92017
28	1/4"-20 X 2" LG. FLANGED BOLT, 316SS	116292-01
29	SHAFT INSTALLATION TOOL	116301-01