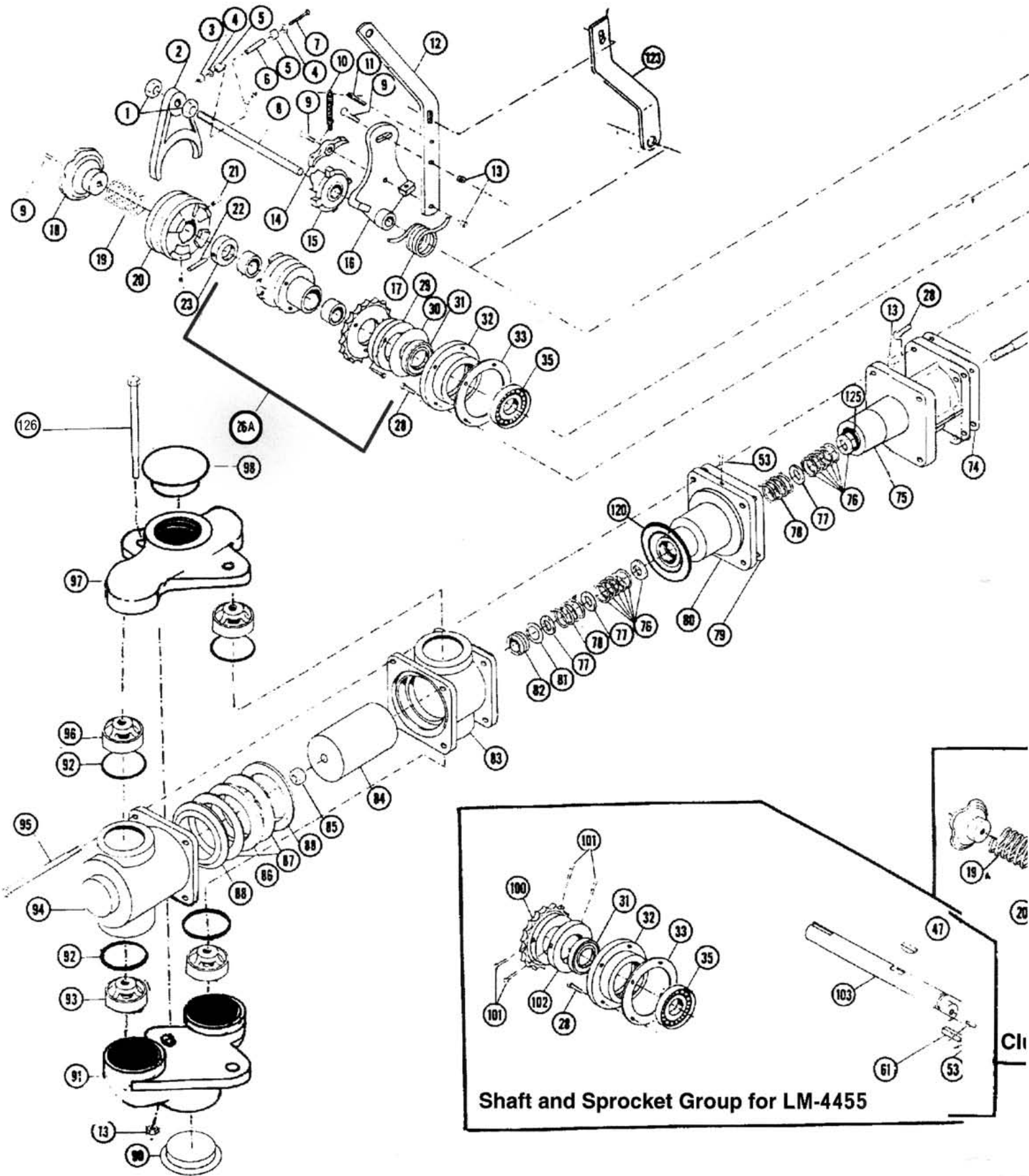


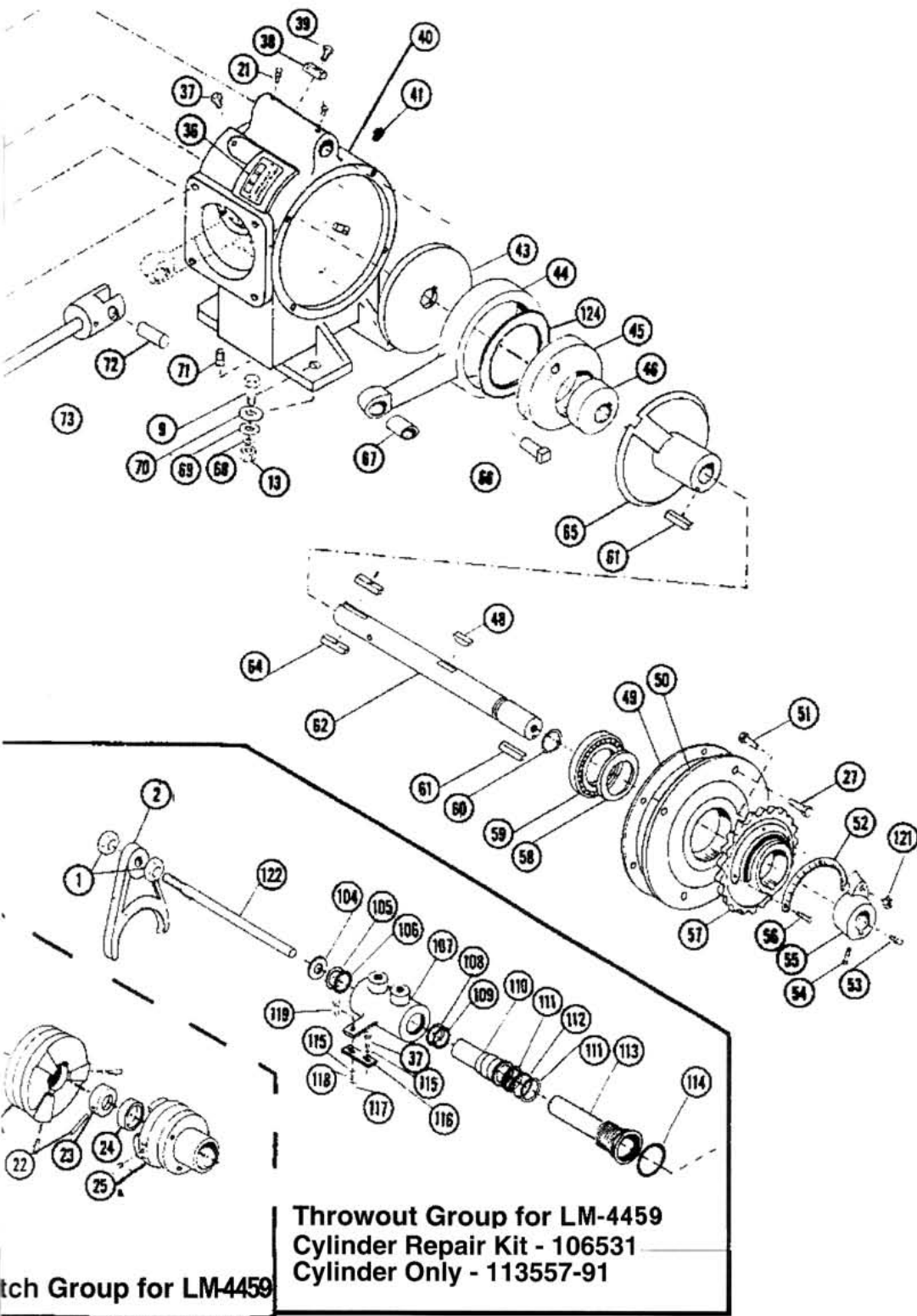
# LM-4450 SERIES PUMP PARTS LIST

REF. NO.	PART NO.	ITEM DESCRIPTION	4450 QTY.	4455 QTY.	4459 QTY.	REF. NO.	PART NO.	ITEM DESCRIPTION	4450 QTY.	4455 QTY.	4459 QTY.
1	92037	5/8" JAM NUT	2	0	2	65	L-3056	STROKE LOCATING SLV.	1	1	1
2	113628-01	THROW-OUT YOKE	1	0	1	66	L-3004	ECCENTRIC PIN	1	1	1
3	92014	#10 SQUARE NUT	1	0	0	*67	113588-01	CONNECTOR ROD BUSHING	1	1	1
4	A-697	WASHER	2	0	0	68	93024	3/8 LOCK WASHER	4	4	4
5	A-2762	CAM ROLLER	2	0	0	69	93011	3/8 FLAT WASHER	4	4	4
6	A-2763	ROLL PIN	1	0	0	70	A-147	LEG MOUNTING PAD	4	4	4
7	90953	2 1/4 RD HD SCREW	1	0	0	71	C-431-B	PLUG	3	3	3
8	L-4011	THROW-OUT ROD	1	0	1	72	105895-01	CROSSHEAD PIN	1	1	1
9	90655	3/8 X 1 1/2 HEX BOLT	6	4	5	73	105900-91	PISTON ROD ASSEMBLY	1	1	1
10	F-48	THROW-OUT LEVER SPRING	1	0	0	*74	L-3052	CROSSHEAD GDE. GASKET	1	1	1
11	94010	5/32 X 1 COTTER PIN	1	0	0	75	111935-01	CROSSHEAD GUIDE	1	1	1
12	L-3064	THROW-OUT LEVER	1	0	0	*76	L-1109	ROD VEE PACKING SET	2	2	2
13	92024	3/8 HEX NUT	10	8	8	77	L-1041	WASHER	3	3	3
**13	T-2010	3/8 NUT - STAINLESS	6	6	6	78	L-1063	PACKING SPRING	2	2	2
14	A-2758-A	PAWL	1	0	0	*79	L-3074	STUFFING BOX GASKET	1	1	1
15	A-2757-A	THROW-OUT CAM	1	0	0	80	111937-01	OUTBOARD STUFFING	1	1	1
16	L-3007	THROW-OUT BRACKET	1	0	0	**80	111937-01S	OUTBOARD STUFFING BOX-S	1	1	1
17	114165-01	R H TORSION SPRING	1	0	1	81	L-1042	RETAINING RING	1	1	1
18	A-50	HANDWHEEL	1	0	1	82	L-1031-2	STUFFING BOX INSERT	1	1	1
19	HA-57	SAFETY CLUTCH SPRING	1	0	0	83	111938-01	INBOARD CYLINDER	1	1	1
19A	108907-01	SAFETY CLUTCH SPRING	1	0	1	**83	111938-01S	INBOARD CYLINDER-S	1	1	1
20	A-260	CLUTCH	1	0	0	84	112816-91	PISTON PLUNGER ASSY	1	1	1
20A	108905-91	CLUTCH	0	0	1	85	L-1047	SELF-LOCKING NUT	1	1	1
21	H-28	GREASE FITTING	5	2	5	86	L-1044-A	FLANGE PACKING WASHER	1	1	1
22	L-4249	DRIVE PIN	1	0	1	*87	L-1098	PACKING ADJ. GASKET	2	2	2
23	105373-01	CLUTCH COLLAR	1	0	1	*88	L-1045-V	FLANGE PLUNGER PACKING	2	2	2
24	A-116	OILITE BUSHING	2	0	2	90	L-3115	1/2 PLASTIC PLUG	1	1	1
25	L-4008-A	CARRIER	1	0	0	91	111945-01	SUCTION MANIFOLD	1	1	1
25A	108906-01	CARRIER	0	0	1	**91	111945-01S	SUCTION MANIFOLD-S	1	1	1
26	L-4006	16T SPROCKET (OR)				*92	A-2848	VALVE O'RING	4	4	4
	L-4007	18T SPROCKET	1	0	1	93	109112-92	SUCTION VALVE ASSEMBLY	2	2	2
26A	L-4004	16T SPROCKET ASSY (OR)				94	111940-01	OUTBOARD CYLINDER	1	1	1
	L-4005	18T SPROCKET ASSY	1	0	0	**94	111940-01S	OUTBOARD CYLINDER	1	1	1
27	90993	1/4 X 1 1/2 BOLT	3	0	3	95	91051	3/8 X 8 HEX BOLT	4	4	4
28	90637	5/16 X 1 HEX BOLT	12	12	12	**95	91072	3/8 X 5 1/2 HEX BOLT SS	4	4	4
29	L-4009	TAINING COLLAR	1	0	1	96	109113-92	DISCHARGE VALVE AS'MBLY	2	2	2
*30	110155-01	WASHER	1	1	1	97	111944-01	DISCHARGE MANIFOLD	1	1	1
*31	L-1018	OIL SEAL	1	1	1	**97	111944-01S	DISCHARGE MANIFOLD-S	1	1	1
32	L-3023	BEARING HOUSING	1	1	1	98	C-3517	PLASTIC PLUG	1	1	1
*33	L-3021	BEARING HOUSING GASKET	1	1	1	100	106532-01	SPROCKET	0	1	0
35	L-3019	CRANKSHAFT BEARING	1	1	1	101	90986	3/8 X 5/8 SCREW	0	4	0
36	111958-01	NAME PLATE	1	1	1	102	110147-01	SPACER	0	1	0
37	90634	5/16 X 1/2 HEX BOLT	1	2	1	103	103453-02	CRANKSHAFT	0	1	0
38	L-4014	SPRING ANCHOR	1	0	0	104	93016	SAE FLAT WASHER	0	0	1
39	90636	5/16 X 3/4 HEX BOLT	1	0	1	105	105448-01	BACK-UP-RING	0	0	1
40	113632-01	CRANKCASE ASSEMBLY	1	1	1	106	A-3776	O'RING	0	0	1
41	S-350	VENT PLUG	1	1	1	107	105447-01	BODY	0	0	1
43	L-3020	CRANKSHAFT DISC	1	1	1	108	105452-01	BACK-UP-RING	0	0	1
44	113645-91	CONNECTING ROD	1	1	1	109	105461-01	PISTON ROD O'RING	0	0	1
45	113633-01	LARGE ECCENTRIC	1	1	1	110	105449-01	PISTON	0	0	1
46	L-3017	SMALL ECCENTRIC	1	1	1	111	105462-01	BACK-UP-RING	0	0	2
48	A-4333	#808 WOODRUFF KEY	1	1	1	112	A-2849	O'RING	0	0	1
*49	L-3002	COVER PLATE GASKET	1	1	1	113	105463-01	CYLINDER	0	0	1
50	L-3001	COVER PLATE	1	1	1	114	105500-01	BODY O'RING	0	0	1
51	91017	3/8 X 1 3/4 SQ. HEAD BOLT	1	1	1	115	93010	5/16 FLAT WASHER	0	0	2
52	114763-01	PUMP SETTING SCALE	1	1	1	116	105501-01	STRAP	0	0	2
53	H-30	GREASE FITTING	2	2	2	117	92020	5/16 HEX NUT	0	0	2
54	90532	5/16 X 3/8 SET SCREW	3	3	3	118	93023	5/16 LOCK WASHER	0	0	4
55	115630-91	SETTING POINTER ASSY.	1	1	1	119	90636	HEX HEAD BOLT	1	0	1
56	A-368	SETTING SCALE SCREW	3	3	3	*120	L-3035	GASKET	1	1	1
57	105932-91	STROKE SETTING FLANGE	1	1	1	121	A-3097	3/8 LOCK NUT	1	1	1
*58	L-1021	OIL SEAL	1	1	1	122	114705-91	ROD THROW-OUT ASSY	0	0	1
59	L-1007-A	CRANKSHAFT BEARING	1	1	1	123	L-4025	SUPPORT HANDLE	1	0	0
*60	L-1022	CRANKSHAFT O'RING	1	1	1	124	113629-01	BEARING, CRANK PIN	1	1	1
61	L-1020	SETTING ARM KEY	2	3	2	*125	111943-01	O'RING	1	1	1
62	L-4012	CRANKSHAFT	1	0	1	126	91063	BOLT 3/8 X 8 1/2	2	2	2
64	A-261	SQUARE KEY	2	0	2	**126	91073	3/8 X 7 HEX BOLT SS	2	2	2

\* Parts contained in 111953 Repair Kit  
 \*\* Parts Unique to the LM-4450-S Series Only

ALL DESIGNS SUBJECT TO CHANGE WITHOUT NOTICE





**PUMP REPAIR KIT -111953**  
**PUMP SETTING WRENCH - L-3092-AS**  
**PUMP SETTING SCALE - 106534-91**