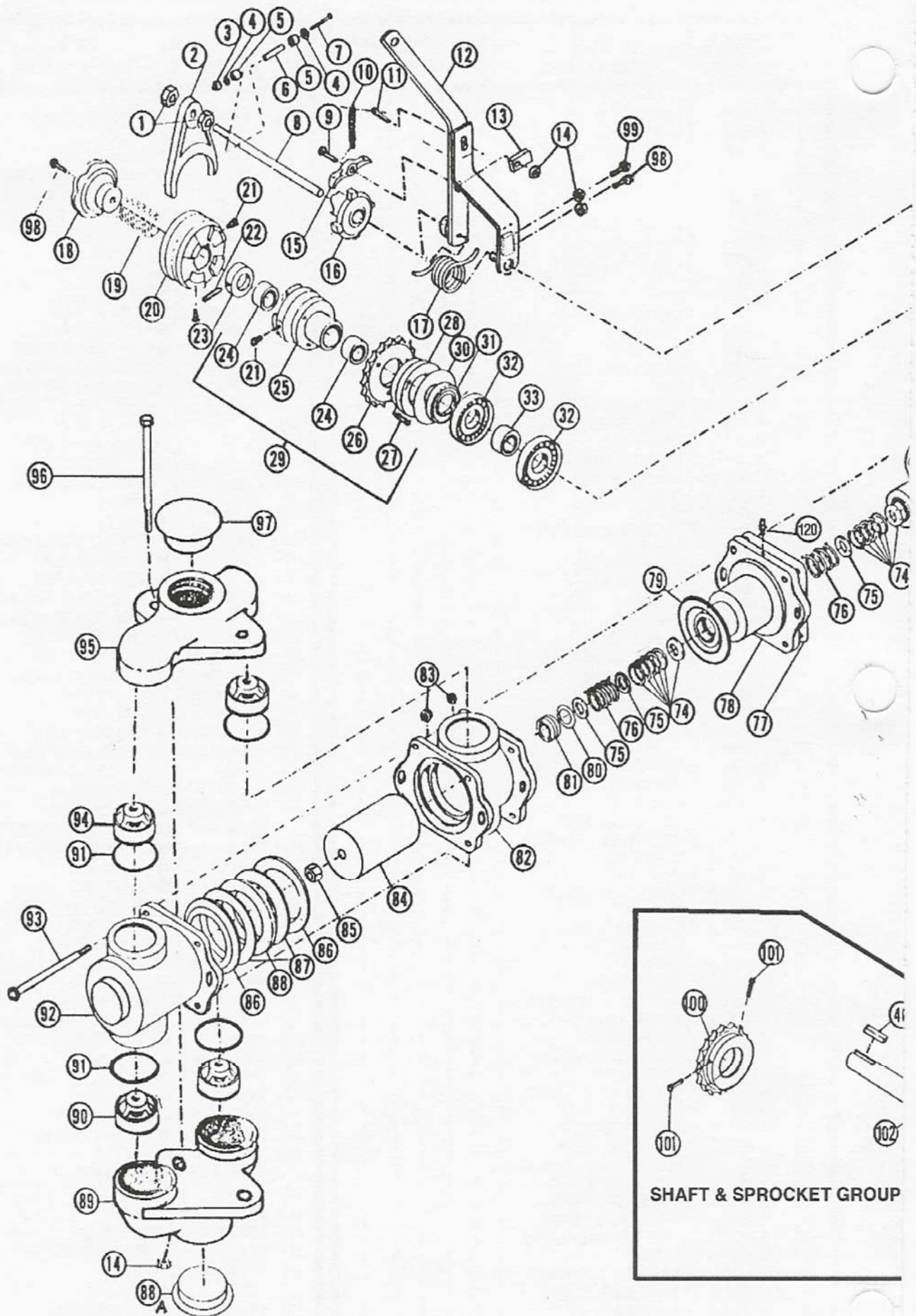


# LM-2450 SERIES PUMP PARTS LIST

REF. NO.	PART NO.	ITEM DESCRIPTION	2450 QTY.	2455 QTY.	2459 QTY.	REF. NO.	PART NO.	ITEM DESCRIPTION	2450 QTY.	2455 QTY.	2459 QTY.
1	92037	5/8" JAM NUT	2	0	2	66	A-147	PUMP MOUNTING PAD	4	4	4
2	A-70	SHIFTER YOKE	1	0	1	67	C-431-B	1/4" PLUG	3	3	3
3	92014	#10 SQUARE NUT	1	0	0	68	105895-01	CROSSHEAD PIN	1	1	1
4	A-697	WASHER	2	0	0	69	105926-91	PISTON ROD ASSEMBLY	1	1	1
5	A-2762	CAM ROLLER	2	0	0	*70	L-1038	CROSSHEAD GDE.GASKET	1	1	1
6	A-2763	ROLL PIN	1	0	1	71	90637	5/16 X 1 HEX BOLT	4	4	4
7	90953	2 1/4 RD HD SCREW	1	0	0	72	90692	1/2 X 2 HEX BOLT	2	2	2
8	A-2761	SHIFTER ROD	1	0	0	**72	90693	1/2 X 2 BOLT, SS	2	2	2
9	90655	3/8 X 1 1/2 HEX BOLT	5	4	4	73	L-1000	CROSSHEAD GUIDE	1	1	1
10	F-48	THROW-OUT LEVER SPRING	1	0	0	*74	L-1109	ROD VEE PACKING SET	2	3	2
11	94010	5/32 X 1 COTTER PIN	1	0	0	75	L-1041	WASHER, PACKING	3	2	3
12	A-2756	THROW-OUT LEVER	1	0	0	76	L-1063	SPRING, PACKING	2	1	2
13	A-2760	SPRING CLIP	1	0	0	*77	L-1030	GASKET STUFFING BOX	1	1	1
14	92024	3/8 HEX NUT	11	6	6	78	L-1031-1	OUTBOARD STUFFING BOX	1	1	1
**14	T-2010	3/8 NUT, SS	2	2	2	**78	L-1031-1S	OUTBOARD STUFFING BOX, SS	1	1	1
15	A-2758-A	PAWL	1	0	0	*79	L-1023	GASKET	1	1	1
16	A-2757-A	THROW-OUT CAM	1	0	0	80	L-1042	RETAINING RING	1	1	1
17	A-37-R	TORSION SPRING (R.H.)	1	0	0	81	L-1031-2	STUFFING BOX INSERT	1	1	1
18	A-50	HANDWHEEL	1	0	1	82	113650-01	CYLINDER, INBOARD	1	1	1
19	HA-57	SAFETY CLUTCH SPRING	1	0	0	**82	113650-01S	CYLINDER, INBOARD, SS	1	1	1
19A	108907-01	SAFETY CLUTCH SPRING	0	0	1	83	92029	1/2 HEX NUT	4	4	4
20	A-260	CLUTCH	1	0	0	**83	92030	1/2 NUT, SS	4	4	4
20A	108905-91	CLUTCH	0	0	1	84	103290-91	PISTON PLUNGER AS'MBLY	1	1	1
21	H-28	GREASE FITTING (DR. TYP.)	5	1	4	85	L-1047	SELF-LOCKING NUT	1	2	1
22	L-4249	DRIVE PIN	1	0	1	*86	L-1045-V	PACKING, PLUNGER	2	2	2
23	105373-01	CLUTCH COLLAR	1	0	1	*87	L-1098	GASKET, FLANGE PACKING	2	2	2
24	A-116	OILITE BUSHING	2	0	2	88	L-1044-A	WASHER, FLANGE PACKING	1	1	1
25	L-4008-A	CARRIER	1	0	0	88A	L-3115	1-1/2 PLASTIC PLUG	1	1	1
25A	108906-01	CARRIER	0	0	1	89	113649-01	SUCTION MANIFOLD	1	1	1
26	L-4006	16T SPROCKET	1	0	1	**89	113649-01S	SUCTION MANIFOLD, SS	1	1	1
27	90993	1/4 X 1 1/2 SOCKET HD BLT	3	0	3	90	106489-92	VALVE, SUCTION	2	2	2
27A	90637	5/16 X 1 HEX BOLT	4	4	4	91	L-3031	'O' RING VALVE	4	4	4
28	L-4009	RETAINING	1	0	1	92	113651-01	OUTBOARD CYLINDER	1	1	1
29	L-4004	16T SPROCKET ASSEMBLY	1	0	1	**92	113651-01S	OUTBOARD CYLINDER,SS	1	1	1
*30	110155-01	WASHER	1	0	1	93	90689	1/2 X 1-1/2 HEX HEAD BOLT	2	2	2
*31	L-1018	OIL SEAL	1	1	1	**93	90687	1/2 X 1-1/2 BOLT, SS	2	2	2
32	L-1017	CRANKSHAFT BEARING	2	2	2	94	106490-92	DISCHARGE VALVE	2	2	2
33	L-1016	BEARING SPACER	1	1	1	95	113648-01	DISCHARGE MANIFOLD	1	1	1
34	111958-01	NAME PLATE	1	1	1	**95	113648-01S	DISCHARGE MANIFOLD, SS	1	1	1
35	90634	5/16 X 1/2 HEX BOLT	3	3	3	96	90672	3/8 X 7-1/2 HHMB	2	2	2
36	A-2759	SPRING CLIP (LOWER)	1	0	0	**96	91071	3/8 X 6 BOLT, SS	2	2	2
37	L-1001-A	CRANKCASE	1	1	1	97	C-3518	1" THREAD PROTECTOR	1	1	1
38	S-350	VENT PLUG	1	1	1	98	90653	3/8 X 1-1/4 HHMB	2	0	1
39	L-1008-B	CONNECTING ROD	1	1	1	99	90657	3/8 X 2 HHMB	1	0	0
40	L-928	BEARING	1	1	1	100	113685-01	16T SPROCKET	1	0	0
41	L-1013-A	ECCENTRIC, LARGE	1	1	1	101	90986	3/8 X 5/8 SCREW	0	2	0
42	L-1015	ECCENTRIC, SMALL	1	1	1	102	L-1019-A	CRANKSHAFT	0	1	0
*43	113588-01	BEARING	1	1	1	103	114706-91	THROW OUT ROD ASSEMBLY	0	0	1
44	L-3004	ECCENTRIC PIN	1	1	1	104	93016	SAE FLAT WASHER	0	0	1
45	L-1089	STROKE LOCATING SLEEVE	1	1	1	105	105448-01	BACK-UP RING	0	0	1
46	L-1020	SETTING ARM KEY	2	2	2	106	A-3776	'O' RING	0	0	1
47	108093-01	KEY, WOODRUFF	1	1	1	107	105447-01	BODY	0	0	1
*48	L-1006	GASKET COVER PLATE	1	1	1	108	105452-01	BACK-UP RING	0	0	1
49	L-1004-A	COVER PLATE	1	1	1	109	105461-01	'O' RING, PISTON ROD	0	0	1
50	91017	3/8 X 1 3/4 SQ. HEAD BOLT	1	1	1	110	105449-01	PISTON	0	0	1
51	90636	5/16 X 3/4 HEX BOLT	4	4	4	111	105462-01	BACK-UP RING	0	0	2
52	L-1002	PUMP SETTING SCALE	1	1	1	112	A-2849	'O' RING	0	0	1
53	A-3097	3/8 SELF LOCKING NUT	1	1	1	113	105463-01	CYLINDER	0	0	1
54	H-30	GREASE FITTING (THREAD)	1	1	1	114	105500-01	BODY, 'O' RING	0	0	1
55	90532	5/16 X 3/8 SET SCREW	3	3	3	115	93010	5/16 FLAT WASHER	0	0	2
56	105933-91	STROKE SETTING ARM	1	1	1	116	113646-01	STRAP	0	0	2
57	A-368	SETTING SCALE SCREW	3	3	3	117	92020	5/16 HEX NUT	0	0	2
58	105932-91	STROKE SETTING FLANGE	1	1	1	118	93023	5/16 LOCK WASHER	0	0	2
*59	L-1021	OIL SEAL	1	1	1	119	90636	5/16 X 3/4 HEX HEAD BOLT	0	0	2
60	L-1007-A	CRANKSHAFT BEARING	1	1	1	120	114652-01	45° GREASE FITTING	1	1	1
*61	L-1022	CRANKSHAFT 'O'RING	1	1	1	121	110147-01	SPACER	0	1	0
62	L-1019	CRANKSHAFT	1	0	1						
63	A-261	SQUARE KEY	2	0	2						
64	93024	3/8 LOCK WASHER	4	4	4						
65	93011	3/8 FLAT WASHER	4	4	4						

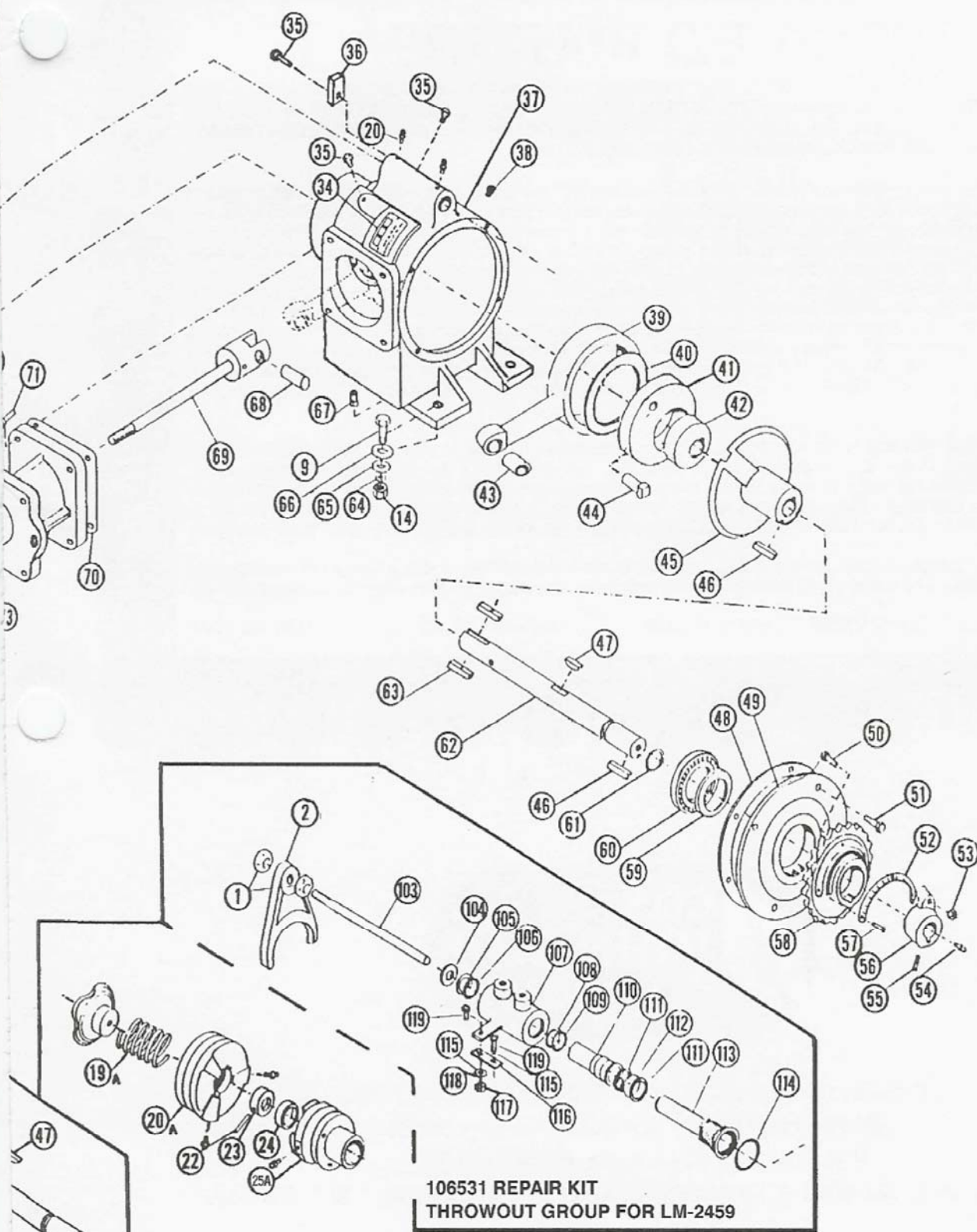
\* Parts contained in 113717 Repair Kit  
 \*\* Parts Unique to the LM-2450-S Series Only

ALL DESIGNS SUBJECT TO CHANGE WITHOUT NOTICE



14 A

(Difference for Stainless)



2-LM 2455

CLUTCH GROUP FOR LM-2459

106531 REPAIR KIT  
THROWOUT GROUP FOR LM-2459

**PUMP REPAIR KIT 113717**  
**WRENCH - 113918-01S**  
**SETTING SCALE - 105913-91**