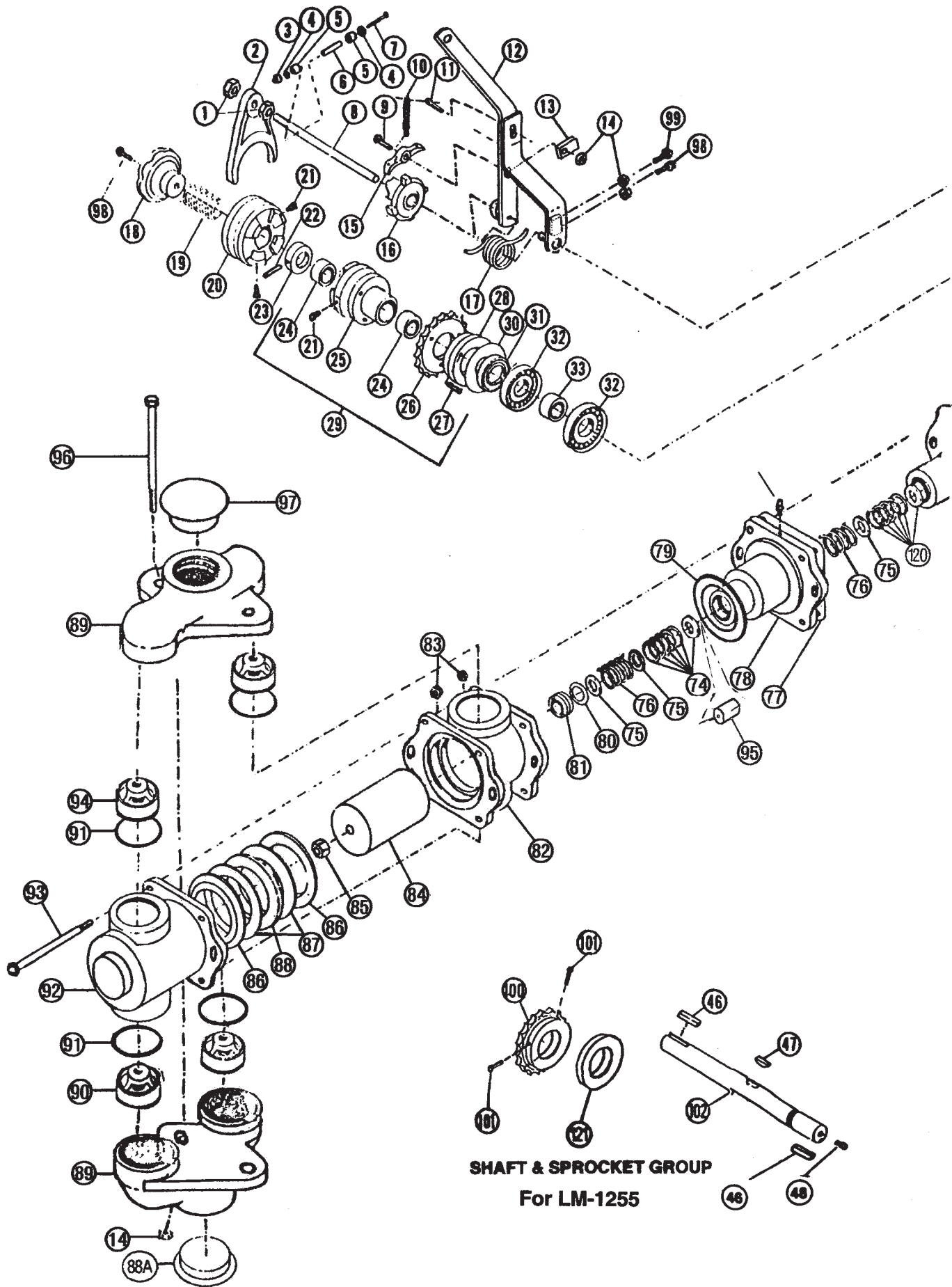


LM-1250 & LM-1255 SERIES PUMP PARTS LIST

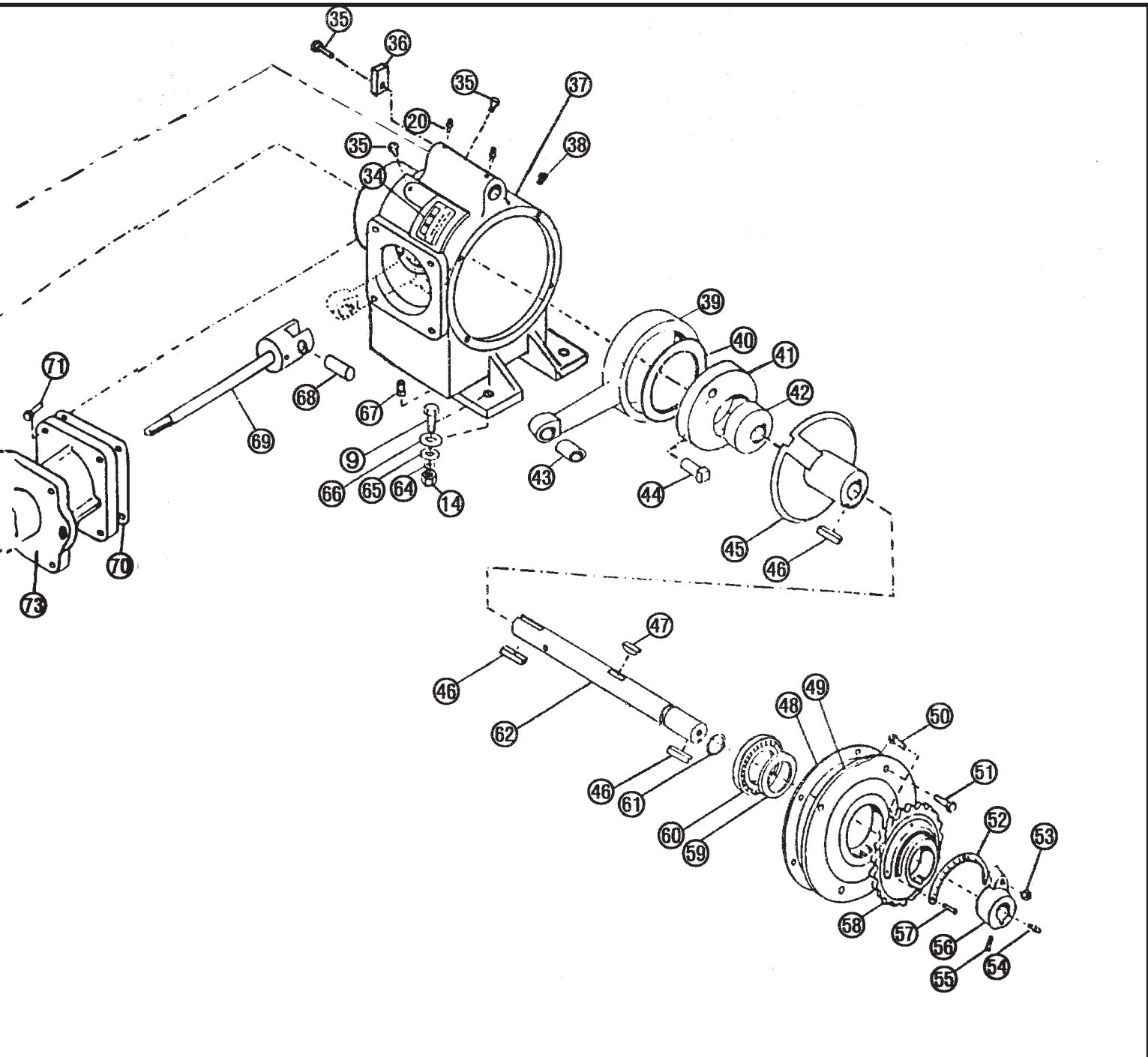
REF. NO.	PART NO.	ITEM DESCRIPTION	1250 QTY.	1255 QTY.	REF. NO.	PART NO.	ITEM DESCRIPTION	1250 QTY.	1255 QTY.
1	92037	5/8" JAM NUT	2	0	59	L-1021	OIL SEAL	1	1
2	A-70	SHIFTER YOKE	1	0	60	L-1007-A	CRANKSHAFT BEARING	1	1
3	92014	#10 SQUARE NUT	1	0	61	L-1022	CRANKSHAFT 'O'RING	1	1
4	A-697	WASHER	2	0	62	1-1019	CRANKSHAFT	1	0
5	A-2762	CAM ROLLER	2	0	63	A-261	SQUARE KEY	2	0
6	A-2763	ROLL PIN	1	0	64	93024	3/8 LOCK WASHER	4	4
7	90953	2 1/4 RD HD SCREW	1	0	65	93011	3/8 FLAT WASHER	4	4
8	A-2761	SHIFTER ROD	1	0	66	A-147	PUMP MOUNTING PAD	4	4
9	90656	3/8 X 1 1/2 HEX BOLT	5	4	67	C-431-B	1/4" PLUG	3	3
10	F-48	THROW-OUT LEVER SPRING	1	0	68	105895-01	CROSSHEAD PIN	1	0
11	94010	5/32 X 1 COTTER PIN	1	0	69	112705	PISTON ROD ASSEMBLY	1	0
12	A-2756	THROW-OUT LEVER	1	0	70	112692-01	CROSSHEAD GDE.GASKET	1	0
13	A-2760	SPRING CLIP	1	0	71	90637	5/16 X 1 HEX BOLT	4	4
14	92024	3/8 HEX NUT	11	10	73	114862-01	CROSSHEAD GUIDE	1	1
15	A-2758-A	PAWL	1	0	74	113029-01	ROD VEE PACKING SET	1	1
16	A-2757-A	THROW-OUT CAM	1	0	75	112694-01	WASHER, PACKING	3	2
17	A-37-R	TORSION SPRING (R.H.)	1	0	76	112697-01	SPRING, PACKING	2	3
18	A-50	HANDWHEEL	1	0	77	112706-01	GASKET STUFFING BOX	1	1
19	HA-57	SAFETY CLUTCH SPRING	1	0	78	112707-01	OUTBOARD STUFFING BOX	1	1
19A	108907-01	SAFETY CLUTCH SPRING	0	0	79	112708-01	GASKET	1	1
20	A-260	CLUTCH	1	0	80	112698-01	RETAINING RING	1	1
20A	108905-91	CLUTCH	0	0	81	112713-01	STUFFING BOX INSERT	1	1
21	H-28	GREASE FITTING (DR. TYP.)	5	1	82	112710-01	CYLINDER, INBOARD	1	1
22	L-4249	DRIVE PIN	1	0	83	92029	1-1/2 HEX NUT	4	1
23	105373-01	CLUTCH COLLAR	1	0	84	112700-91	PISTON PLUNGER AS'MBLY	1	1
24	A-116	OILITE BUSHING	2	0	85	92125	SELF-LOCKING NUT	1	1
25	L-4008-A	CARRIER	1	0	86	112696-01	PACKING, PLUNGER	2	2
25A	108906-01	CARRIER	0	0	87	112712-01	GASKET, FLANGE PACKING	2	2
26	L-4006	16T SPROCKET	1	0	88	112695-01	WASHER, FLANGE PACKING	1	1
27	90993	1/4 X 1 1/2 SOCKET HD BIT	3	0	88A	L-3115	1-1/2 PLASTIC PLUG	1	1
27A	90637	5/16 X 1 HEX BOLT	4	4	89	114860-01	MANIFOLD	2	2
28	L-4009	RETAINING	1	0	90	112685	VALVE, SUCTION	2	2
29	L-4004	16T SPROCKET ASSEMBLY	1	0	91	S-316	'O' RING VALVE	4	4
30	110155-01	WASHER	1	0	92	112711-01	OUTBOARD CYLINDER	1	1
31	L-1018	OIL SEAL	1	1	93	90667	1/2 X 4-1/2 HEX HEAD BOLT	4	4
32	L-1017	CRANKSHAFT BEARING	2	2	94	112682	DISCHARGE VALVE	2	2
33	L-1016	BEARING SPACER	1	1	95	112715-01	GUIDE ROD	1	1
34	111958-01	NAME PLATE	1	1	96	112716-01	3/8 X 7-1/2 STUD	2	2
35	90634	5/16 X 1/2 HEX BOLT	3	3	97	C-3518	1" THREAD PROTECTOR	1	1
36	A-2759	SPRING CLIP (LOWER)	1	0	98	90653	3/8 X 1-1/4 HHMB	2	0
37	L-1001-A	CRANKCASE	1	1	99	90657	3/8 X 2 HHMB	1	0
38	S-350	VENT PLUG	1	1	100	106532-01	SPROCKET, 18T	0	1
39	L-1008-B	CONNECTING ROD	1	1	101	90986	3/8 X 5/8 SCREW	0	2
40	L-928	BEARING	1	1	102	L-1019-A	CRANKSHAFT	0	1
41	L-1013-A	ECCENTRIC, LARGE	1	1	103	114706-91	THROW OUT ROD ASSEMBLY	0	0
42	L-1015	ECCENTRIC, SMALL	1	1	104	93016	SAE FLAT WASHIER	0	0
43	113588-01	BEARING	1	1	105	105448-01	BACK-UP RING	0	0
44	L-3004	ECCENTRIC PIN	1	1	106	A-3776	'O' RING	0	0
45	L-1089	STROKE LOCATING SLEEVE	1	1	107	105447-01	BODY	0	0
46	L-1020	SETTING ARM KEY	2	3	108	105452-01	BACK-UP RING	0	0
47	108093-01	KEY, WOODRUFF	1	1	109	105461-01	'O' RING, PISTON ROD	0	0
48	L-1006	GASKET COVER PLATE	1	1	110	105449-01	PISTON	0	0
49	L-1004-A	COVER PLATE	1	1	111	105462-01	BACK-UP RING	0	0
50	91017	3/8 X 1 3/4 SQ. HEAD BOLT	1	1	112	A-2849	'O' RING	0	0
51	90636	5/16 X 3/4 HEX BOLT	4	4	113	105463-01	CYLINDER	0	0
52	L-1002	PUMP SETTING SCALE	1	1	114	105500-01	BODY,'O' RING	0	0
53	A-3097	3/8 SELF LOCKING NUT	1	1	115	93010	5/16 FLAT WASHER	0	0
54	H-30	GREASE FITTING (THREAD)	1	2	116	113646-01	STRAP	0	0
55	90532	5/16 X 3/8 SET SCREW	3	3	117	92020	5/16 HEX NUT	0	0
56	115630-91	SETTING POINTER ASSY.	1	1	118	93023	5/16 LOCK WASHER	0	0
57	A-368	SETTING SCALE SCREW	3	3	119	90636	5/16 X 3/4 HEX HEAD BOLT	0	0
58	105932-91	STROKE SETTING FLANGE	1	1	120	113196-01	ROD PACKING - GUIDE	1	1
					121	110147-01	SPACER	0	1

ALL DESIGNS SUBJECT TO CHANGE WITHOUT NOTICE

PRINTED IN U.S.A.



SHAFT & SPROCKET GROUP
 For LM-1255



WRENCH – 113918-01S
PUMP REPAIR KIT – 115036
SETTING SCALE - 112719-91