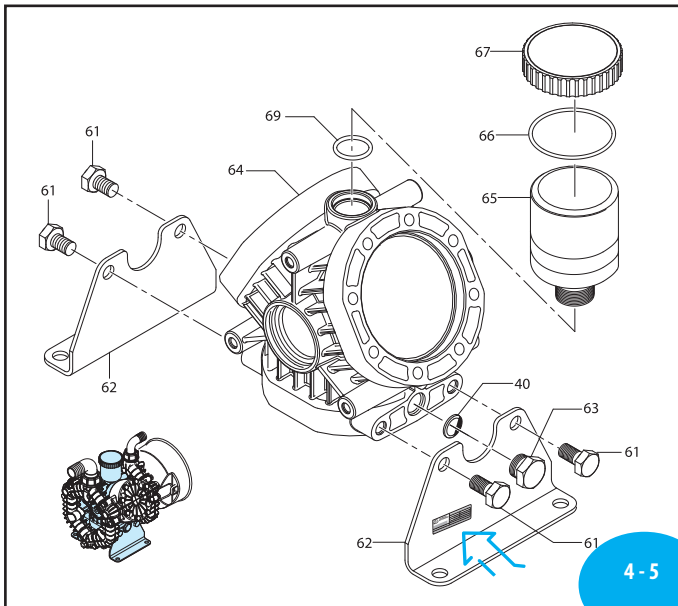
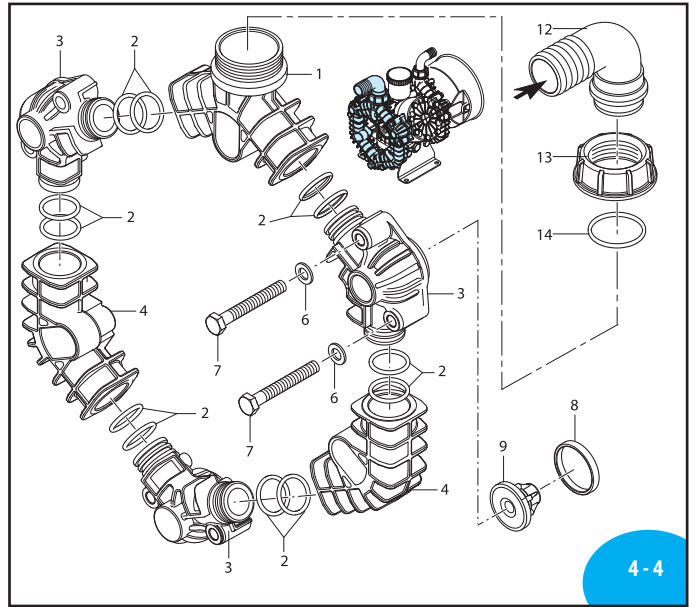
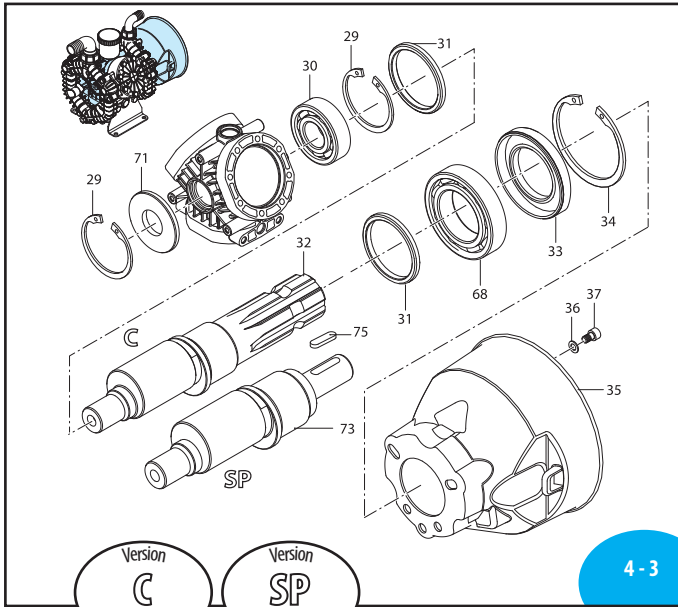
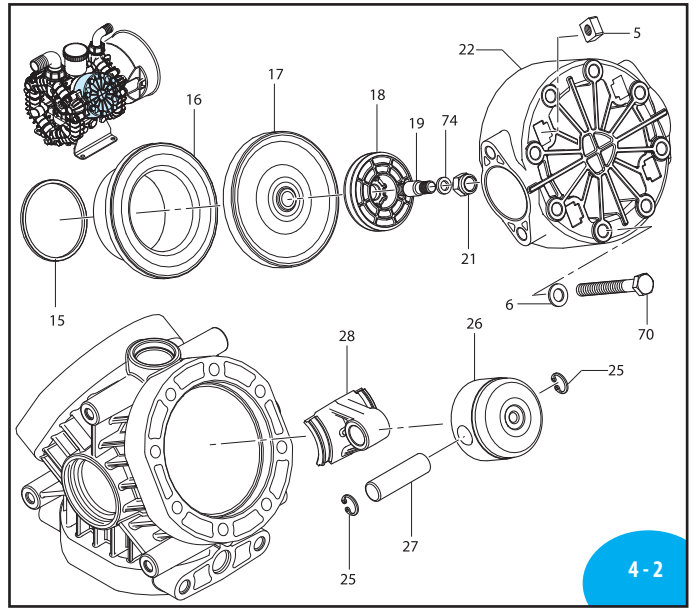
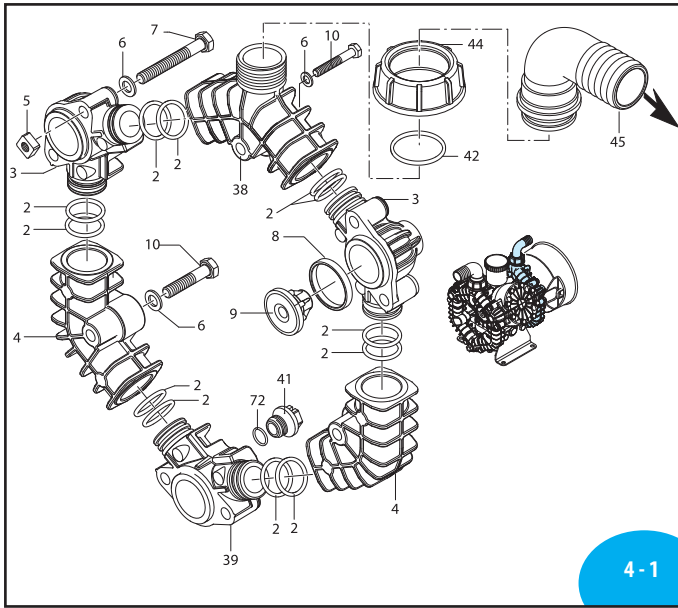


# A.R. NORTH AMERICA

## AR45LFP / AR 45 bp



# AR 45LFP / AR 45 bp

| Pos | Code    | Description                  | Qty | Note               |
|-----|---------|------------------------------|-----|--------------------|
| 1   | 3120410 | Manifold suction             | 1   |                    |
| 2   | 720030  | O-ring Ø 22.22x2.62          | 24  | AR45bp             |
|     | 720030  | O-ring Ø 22.22x2.62          | 24  | Viton AR45LFP      |
| 3   | 3120050 | Manifold                     | 5   |                    |
| 4   | 3120060 | Manifold                     | 4   |                    |
| 5   | 3120510 | Nut M8                       | 12  | SS                 |
| 6   | 3120761 | Washer                       | 42  | Z/B AR45bp         |
|     | 3120760 | Washer                       | 42  | SS AR45LFP         |
| 7   | 3120251 | Screw TE M8x60               | 12  | T90* AR45bp        |
|     | 3120250 | Screw TE M8x60               | 12  | SS T90* AR45LFP    |
| 8   | 3120230 | Gasket                       | 6   | AR45bp             |
|     | 3120680 | Gasket                       | 6   | Viton AR45LFP      |
| 9   | 3129051 | Complete valve               | 6   |                    |
| 10  | 621782  | Screw TE M8x40               | 6   | SS T90* AR45LFP    |
|     | 621780  | Screw TE M8x40               | 6   | T90* AR45bp        |
| 12  | 50267   | Elbow 1 1/2"                 | 1   |                    |
| 13  | 750670  | Ring nut 1 1/2" G            | 1   |                    |
| 14  | 1880460 | O-ring Ø 29x3                | 1   | Viton AR45LFP      |
|     | 390290  | O-ring Ø 29x3                | 1   | AR45bp             |
| 15  | 3120130 | Piston ring                  | 3   |                    |
| 16  | 3120090 | Sleeve                       | 3   |                    |
| 17  | 3120080 | Diaphragm                    | 3   | NBR AR45bp         |
|     | 3120082 | Diaphragm                    | 3   | BlueFlex™ AR425LFP |
|     | 3120081 | Diaphragm                    | 3   | Viton              |
|     | 3120085 | Diaphragm                    | 3   | Desmopan           |
| 18  | 3120120 | Plate                        | 3   |                    |
| 19  | 3120101 | Hub pin                      | 3   | T220* (a) AR45LFP  |
|     | 3120100 | Hub pin                      | 3   | T220* (a) AR45bp   |
| 21  | 3120790 | Nut M8 AISI 304              | 3   | T180* (a) AR45LFP  |
|     | 3120110 | Nut M8 AISI 304              | 3   | SS T180* AR45bp    |
| 22  | 3120020 | Head                         | 3   |                    |
| 25  | 1880450 | Ring circlip Øi 14           | 6   |                    |
| 26  | 3120070 | Piston Ø 54                  | 3   |                    |
| 27  | 380300  | Pin                          | 3   |                    |
| 28  | 3120180 | Connecting-rod               | 3   |                    |
| 29  | 1460490 | Ring circlip Øi 47           | 2   |                    |
| 30  | 380230  | Bearing                      | 1   |                    |
| 31  | 1300120 | Ring connecting rod          | 2   |                    |
| 32  | 3120500 | Shaft marked DD              | 1   | AR45bp/LFP C       |
| 33  | 3120160 | Ring seal                    | 1   |                    |
| 34  | 961790  | Ring circlip Øi 68           | 1   |                    |
| 35  | 3240290 | Shield                       | 1   |                    |
| 36  | 320620  | Washer                       | 4   | AR45bp             |
| 37  | 820670  | Screw TCEI M10x16            | 4   | T90* AR45bp        |
| 38  | 3120380 | Manifold                     | 1   |                    |
|     | 3120330 | Manifold for GS25 Controller | 1   | Not Shown          |
| 39  | 3120051 | Line                         | 1   |                    |
| 40  | 740290  | O-ring Ø 14x1.78             | 1   |                    |

| Pos | Code    | Description         | Qty | Note             |
|-----|---------|---------------------|-----|------------------|
| 41  | 3120690 | Plug                | 1   | T15*             |
| 42  | 1140450 | O-ring Ø 20.24x2.62 | 1   | AR45bp           |
|     | 1140451 | O-ring Ø 20.24x2.62 | 1   | Viton AR45LFP    |
| 44  | 3120440 | Ring nut 1" G       | 1   |                  |
| 45  | 3120460 | Elbow 1"            | 1   |                  |
| 61  | 620342  | Screw TE M10x20     | 4   | SS T265* AR45LFP |
|     | 620340  | Screw TE M10x20     | 4   | T265* AR45bp     |
| 62  | 3120140 | Foot                | 2   |                  |
| 63  | 880530  | Plug 3/8" G         | 1   | T180*            |
| 64  | 3120010 | Pump body           | 1   |                  |
| 65  | 3120240 | Tank                | 1   | T180*            |
| 66  | 650920  | O-ring Ø 53.65x2.62 | 1   |                  |
| 67  | 1040320 | Plug red            | 1   |                  |
| 68  | 961780  | Bearing             | 1   |                  |
| 69  | 720030  | O-ring Ø 22.22x2.62 | 1   |                  |
| 70  | 3120271 | Screw TE M8x65      | 1   | SS T90* AR45LFP  |
|     | 3120270 | Screw TE M8x65      | 24  | T90* AR45bp      |
| 71  | 3120640 | Ring seal           | 1   |                  |
| 72  | 2840891 | O-ring Ø 14x2       | 1   | Viton AR45LFP    |
|     | 2840890 | O-ring Ø 14x2       | 1   | AR45bp           |
| 73  | 3120170 | Shaft marked DL     | 1   | AR45bp/LFP SP    |
| 74  | 3120760 | Washer              | 3   | SS               |
| 75  | 2280950 | Key                 | 1   | (d)              |

(a) Screw with Loxale 83-21 thread lock STRONG  
(d) Supplied in kit applications.

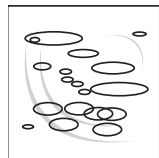
\* Torque: in-lbs +/- 10%



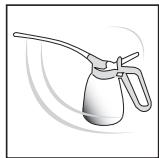
| <b>AR 43239</b><br>BlueFlex diaphragms |     |
|--|-----|
| <b>AR 43236</b><br>NBR diaphragms      |     |
| <b>AR 43238</b><br>Viton diaphragms    |     |
| <b>AR 43237</b><br>Desmopan diaphragms |     |
| Pos.                                   | Qty |
| 8                                      | 6   |
| 17                                     | 3   |



| <b>AR 42524</b><br>Valves AR45bp  |     |
|-----------------------------------|-----|
| <b>AR 42816</b><br>Valves AR45LFP |     |
| Pos.                              | Qty |
| 8                                 | 6   |
| 9                                 | 6   |



| <b>AR 42525</b><br>O-Rings AR45bp  |     |
|------------------------------------|-----|
| <b>AR 43081</b><br>O-Rings AR45LFP |     |
| Pos.                               | Qty |
| 2                                  | 24  |
| 14                                 | 1   |
| 40                                 | 1   |
| 42                                 | 1   |
| 66                                 | 1   |
| 69                                 | 1   |
| 72                                 | 1   |



| <b>Suggested Oil</b> |    |
|----------------------|----|
| Type                 | Oz |
| AR64516              | 16 |

Crankcase Oil  
Capacity 13 oz

Pump and manufacturer identification.