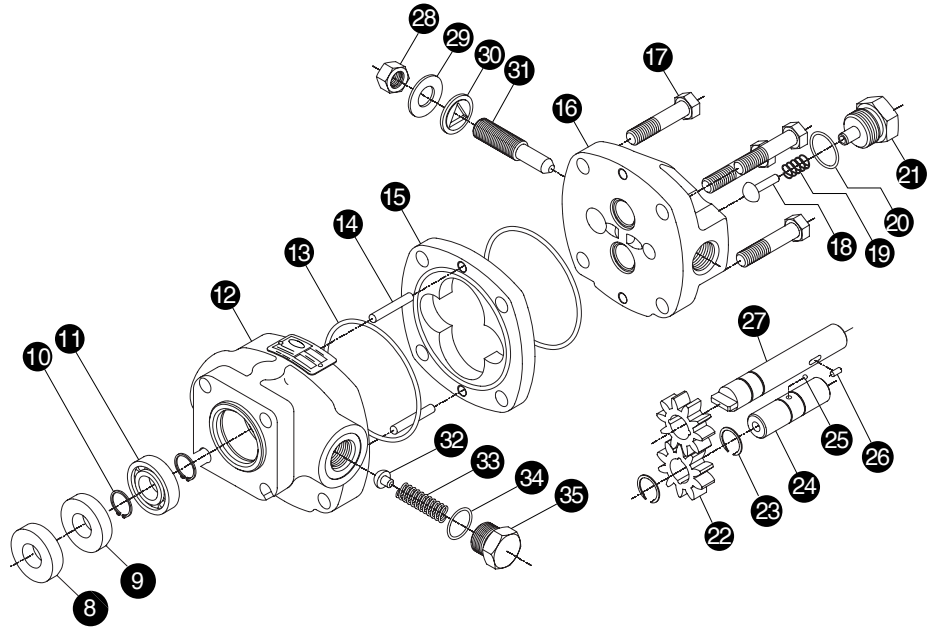
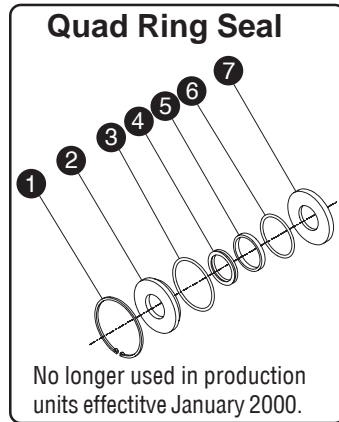




## HYDRAULIC MOTOR PARTS LIST

**BAC-75-HYD-304**  
**BAC-75-HYD-304L**  
**BAC-75-HYD-310**  
**BAC-75-HYD-310L**



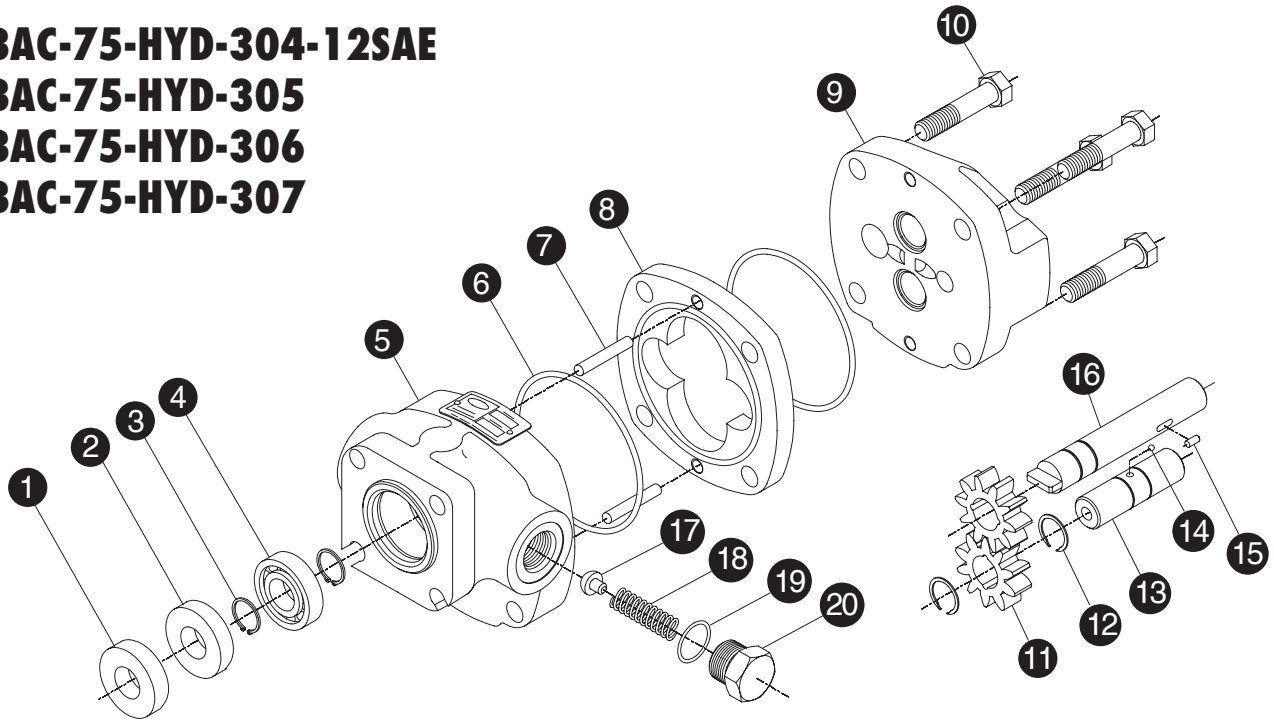
**Note:** Repair kit, 41362 (RK-BAC-75-HYD-300-L), will retrofit into older 304 (not 310) motors with quad ring shaft seal.

REF#	MODEL 304	MODEL 304L	MODEL 310	MODEL 310L	DESCRIPTION	REQUIRED
1	43175	--	41370	--	Retaining ring, shaft seal	1
2	43051	--	43051	--	Steel seal retainer	1
3Ⓞ	43141	--	43140	--	"O" ring, seal retainer	1
4Ⓞ	43161	--	43160	--	Quad ring shaft seal	1
5	43125	--	43120	--	Collar, quad ring shaft seal	1
6Ⓞ	43151	--	43150	--	"O" ring, seal collar	1
7	43095	--	43090	--	Backup washer	1
8Ⓞ	40162	40162	--	40162	Seal support spacer	1
9Ⓞ	40154	40154	--	40154	Seal cartridge ("L" models)	1
10	43205	43205	43200	43205	Retaining ring, bearing	2
11	43225	43225	43220	43225	Ball bearing	1
12	43015	43015	43010	43015	Drive plate	1
13ⓄⓄ	43130	43130	43130	43130	"O" ring, housing seal	2
14	43085	43085	43080	43080	Dowel pin, housing	2
15	43005	43005	43000	43000	Gear housing	1
16	43020	43020	43020	43020	End plate	1
17	43185	43185	43180	43180	Cap screw, 3/8" N.C. hex head	4
18	43210	43210	43210	43210	Plunger, reverse flow check	1
19	43060	43060	43060	43060	Spring, reverse flow check	1
20ⓄⓄ	43290	43290	43290	43290	"O" ring, reverse flow check	1
21	43070	43070	43070	43070	Valve cap, reverse flow check	1
22	43035	43035	43030	43030	Gear	2
23	43240	43240	43240	43240	Retaining ring, gear	2
24	43235	43235	43230	43230	Idler shaft	1
25	43255	43255	43250	43250	Ball, idler shaft	1
26	43195	43195	43190	43190	Dowel pin, drive shaft	1
27	43045	43045	43040	43042	Drive shaft	1
28	43270	43270	43270	43270	Hex nut, needle valve	1
29	43292	43292	43292	43292	Backup washer, flat steel, needle valve	1
30ⓄⓄ	43291	43291	43291	43291	1/2" thread seal, needle valve	1
31	43260	43260	43260	43260	Adjusting screw, needle valve	1
32	43300	43300	--	43300	Plunger, coasting check	1
33	43305	43305	--	43305	Spring, coasting check	1
34ⓄⓄ	43310	43310	--	43310	"O" ring, coasting check	1
35	43315	43315	--	43315	Valve cap, coasting check	1
①	41361	--	41379	--	Motor repair kit, quad ring shaft seal	--
②	41362	41362	--	41362	Motor repair kit, cartridge style lip seal	--



# HYDRAULIC MOTOR PARTS LIST

**BAC-75-HYD-304-12SAE**  
**BAC-75-HYD-305**  
**BAC-75-HYD-306**  
**BAC-75-HYD-307**



REF#	MODEL 304	MODEL 305	MODEL 306	MODEL 307	DESCRIPTION	REQUIRED
1*	40162	40162	40162	40162	Seal support spacer	1
2*	40154	40154	40154	40154	Seal cartridge ("L" models)	1
3	43205	43205	43205	43205	Retaining ring, bearing	2
4	43225	43225	43225	43225	Ball bearing	1
5	43015	43015	43015	43015	Drive plate, 300 Series	1
6*	43130	43130	43130	43130	"O" ring, housing seal	2
7	43085	43086	43087	43081	Dowel pin, housing	2
8	43005	43006	43007	43001	Gear housing	1
9	43025	43025	43025	43025	End plate, #12 SAE end ports	1
10	43185	43185	43185	43185	Cap screw, 3/8" N.C. hex head	4
11	43035	43036	43037	43031	Gear	2
12	43240	43240	43240	43240	Retaining ring, gear	2
13	43235	43236	43237	43231	Idler shaft	1
14	43255	43255	43255	43255	Ball, idler shaft	1
15	43195	43196	43196	43191	Dowel pin, drive shaft	1
16	43045	43046	43047	43041	Drive shaft	1
17	43300	43300	43300	43300	Plunger, coasting check	1
18	43305	43305	43305	43305	Spring, coasting check	1
19*	43310	43310	43310	43310	"O" ring, coasting check	1
20	43315	43315	43315	43315	Valve cap, coasting check	1
#	41362	41362	41362	41362	Motor repair kit, cartridge style lip seal	--

\* Items included in repair kit.