



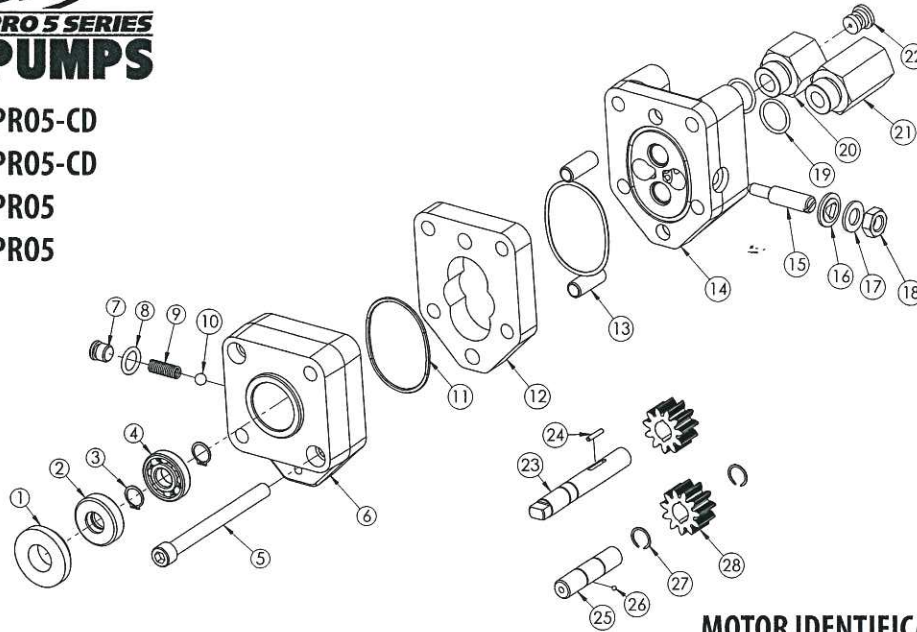
## PRO 5 SERIES HYDRAULIC MOTORS

BAC-75-HYD-203-PRO5-CD

BAC-75-HYD-204-PRO5-CD

BAC-75-HYD-204-PRO5

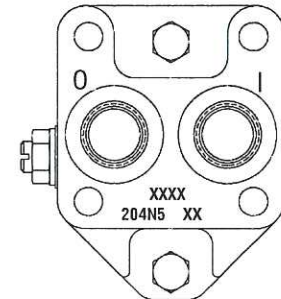
BAC-75-HYD-206-PRO5



### PARTS LIST

REF. #	203N5-CD	204N5-CD	204N5	206N5	DESCRIPTION	REQ.
1	40177	40177	40177	40177	S255 seal support spacer	1
2 <sup>ⓐ</sup>	40153	40153	40153	40153	Seal cartridge	1
3	41941	41941	41941	41941	Snap ring, bearing	2
4	41961	41961	41961	41961	Ball bearing, 7/16" I.D.	1
5	41264	41262	41262	41262	Cap screw, socket head	2
6	41737	41737	41736	41736	Drive plate	1
7	42041	42041	42041	42041	Valve cap, coasting check	1
8 <sup>ⓐ</sup>	42044	42044	42044	42044	"O" ring, coasting check	1
9	42042	42042	42042	42042	Spring, coasting check	1
10	42043	42043	42043	42043	Ball, coasting check	1
11 <sup>ⓐ</sup>	41850	41850	41850	41850	"O" ring, housing seal	2
12	41719	41720	41720	41721	Gear housing	1
13	41799	41800	41800	41801	Dowel pin, housing	2
14	41747	41747	41747	41747	End plate	1
15	42010	42010	42010	42010	Adjusting screw, needle valve	1
16 <sup>ⓐ</sup>	42030	42030	42030	42030	Thread seal, 3/8", needle valve	1
17	42040	42040	42040	42040	Washer, flat steel, needle valve	1
18	40960	40960	40960	40960	Nut, 3/8" N.C. jam, needle valve	1
19	41875	41875	41875	41875	"O" ring, #8 SAE male fitting	2
20	41455	41455	41455	41455	Adapter body, #8 SAE male x 1/2" FNPT	1
20	41461	41461	41461	41461	Adapter body, #8 SAE male x #10 SAE (optional)	1
21	41441	41441	41441	41441	Reverse check, #8 SAE male x 1/2" FNPT	1
21	41462	41462	41462	41462	Reverse check, #8 SAE male x #10 SAE (optional)	1
22	-	41457	41457	41456	Insert, restrictor orifice, with "O" ring	1
22A	-	41448	41448	41448	"O" ring, orifice insert (use with ref 22 insert)	1
23	41759	41761	41761	41764	Drive shaft	1
24	41919	41920	41920	41921	Dowel pin, drive shaft	1
25	41969	41970	41970	41971	Idler shaft	1
26	41990	41990	41990	41990	Ball, idler shaft	1
27	41980	41980	41980	41980	Retaining ring, idler gear	2
28	41749	41750	41750	41751	Gear	2
ⓐ	41374	41374	41374	41374	Repair Kit, RK-BAC-75-HYD-L	-

### MOTOR IDENTIFICATION



Part number engraved on end plate (#14)

### HYDRAULIC INFO

There are three general types of hydraulic systems:

- 1) Load Sensing (LS), also known as Pressure-Flow Compensating (PFC) Closed Center
- 2) Pressure Compensating Closed Center (PC)
- 3) Open Center (OPEN)

Please consult the Tractor Hydraulic System Pump Selection Guide(HSG), Internet Hydraulic Selection Guide (IHSG) at [www.AcePumps.com](http://www.AcePumps.com), or your tractor dealer to determine your tractor's hydraulic system.