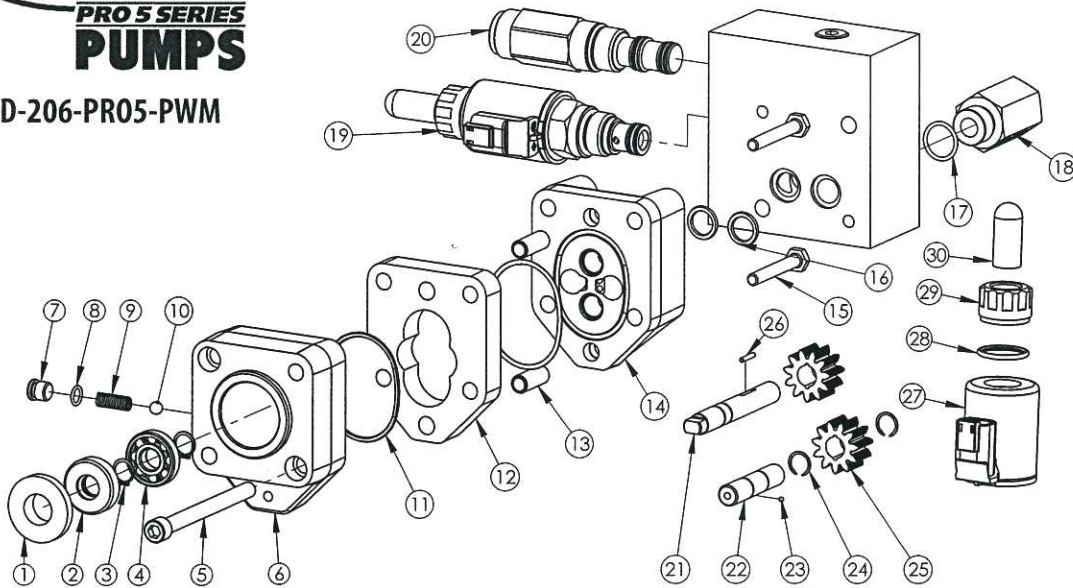




PRO 5 SERIES HYDRAULIC MOTORS

BAC-75-HYD-206-PRO5-PWM

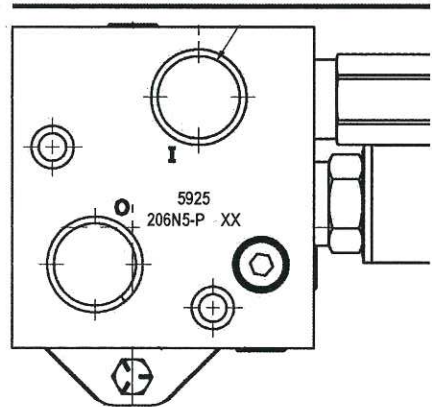


PARTS LIST

REF. #	PART NUMBER	EDP #	DESCRIPTION	REQ.
1	S255	40177	Seal support spacer	1
2 [ⓐ]	BAC-75-200-TLS	40153	Seal cartridge	1
3	41941	41941	Snap ring, bearing	2
4	41961	41961	Ball bearing, 7/16" I.D.	1
5	41256	41256	Cap screw, 5/16" N.C. x 3.5" socket head	2
6	41736	41736	Drive plate, 200-PRO5 series motors	1
7	42041	42041	Valve cap, coasting check	1
8 [ⓐ]	42044	42044	O-ring, coasting check	1
9	42042	42042	Spring, coasting check	1
10	42043	42043	Ball, coasting check	1
11 [ⓐ]	41850	41850	O-ring, housing seal	2
12	41721	41721	Gear housing	1
13	41801	41801	Dowel pin, housing	2
14	41746	41746	End plate, 200-PWM series motors	1
15	41900	41900	Cap screw	2
16	74209	74209	O-ring, port sealing, manifold to motor	2
17	41875	41875	O-ring, #8 SAE male fitting	2
18	BAC-78-10X8 SAE	41462	Reverse check, #8 SAE male x #10 SAE female	1
19	PWM-18-PRO-6	74222	Valve assembly, 12V proportional	1
20	PWM-18-PRV-11	74210	Valve assembly, pressure reducing	1
21	41764	41764	Drive shaft	1
22	41971	41971	Idler shaft	1
23	41990	41990	Ball, idler shaft	1
24	41980	41980	Retaining ring, idler gear	2
25	41751	41751	Gear	2
26	41921	41921	Dowel pin, drive shaft	1
27	74225	74225	Coil, 12V for PWM-18-PRO-6 and -11	1
28	41445	41445	O-ring, coil nut	1
29	74230	74230	Nut, coil retainer for PWM-18-PRO-6 and -11	1
30	74235	74235	Protector, manual override, PWM-18-PRO-6 and -11	1
*	BAC-75-HYD-206-PRO5-P	41219	Motor less manifold, 206-PRO5-PWM, includes 1-15 & 21-26	-
*	PWM-1-206	74201	Mainfold assembly, 206-PWM, includes 16 - 20	-
ⓐ	RK-BAC-75-HYD-L	41374	Motor repair kit	-

* Not shown in parts diagram

MOTOR IDENTIFICATION



PWM HYDRAULIC INFO

There are three general types of hydraulic systems:

- 1) Load Sensing (LS), also known as Pressure-Flow Compensating (PFC) Closed Center
- 2) Pressure Compensating Closed Center (PC)
- 3) Open Center (OPEN)

This product is designed to operate on both Closed Center Hydraulic Systems. It should not be used with Open Center systems. Please consult the Tractor Hydraulic System Pump Selection Guide(HSG), Internet Hydraulic Selection Guide (IHSG) at www.AcePumps.com, or your tractor dealer to determine your tractor's hydraulic system.

The two valve design limits the maximum oil flow to the motor and prevents overspeeding. The Restrictor Orifice and Flow Limiter are not needed with this product.

All PWM controllers are slightly different in the terminology used and setup procedures. Please consult your controller documentation or their technical service department for additional assistance with your specific application and implement in use.