



# High Performance Gas Engine Drive Centrifugal Pump

## GE-1600



- Suction 2-1/2" Discharge 2"
- Maximum Pressure 145 PSI and Maximum Flow 280 GPM
- Impeller attaches directly to 1"-14 NF threaded shaft on Honda or Briggs & Stratton engine 16 to 20 HP
- Standard Electric Start Engine
- Stainless Steel Shaft Sleeve with double "O" ring leak protection
- Available Complete or Less Engine

GE-1600      16 HP Briggs  
No fuel tank included

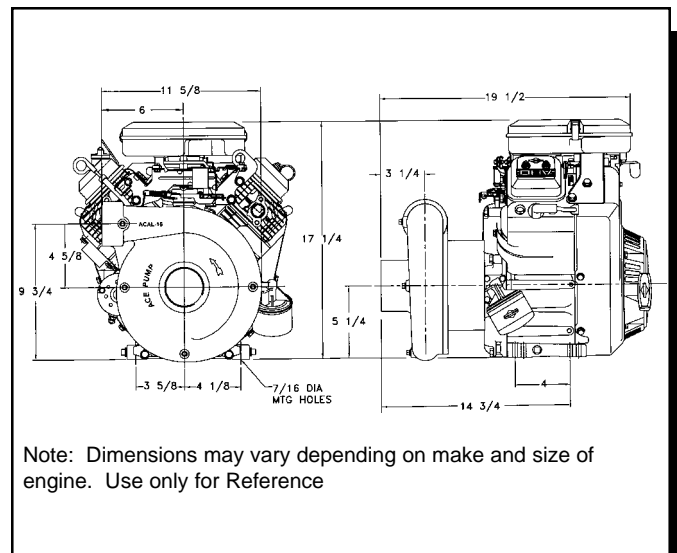
GE-1600 LE      Pump less engine

### PERFORMANCE CHART

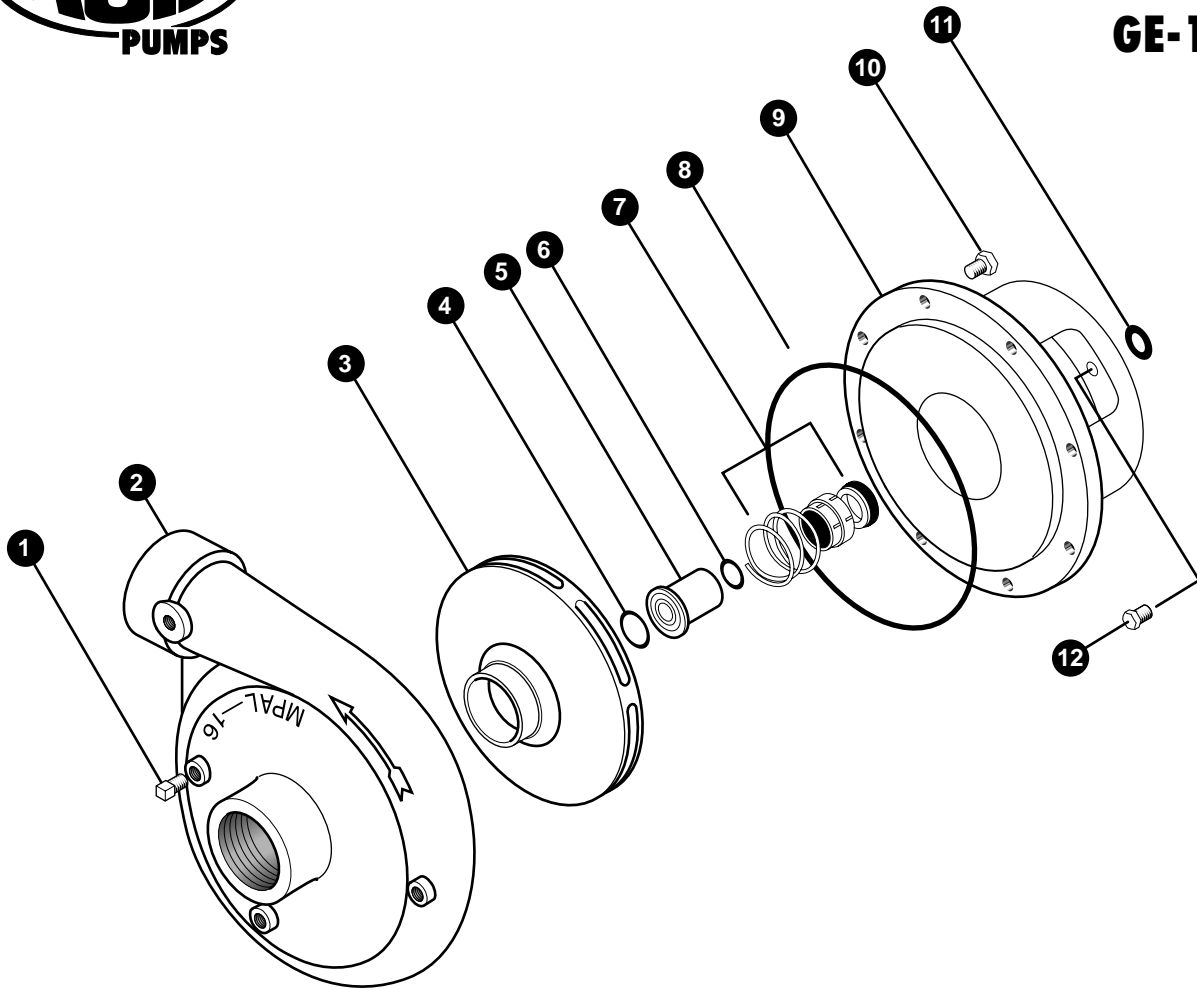
ENGINE SHAFT SPEED*	20	40	60	80	100	120
	PSI	PSI	PSI	PSI	PSI	PSI
	GPM	GPM	GPM	GPM	GPM	GPM
3550 RPM	280	220	180	140	80	0
3400 RPM	280	220	175	130	40	-
3200 RPM	280	220	170	100	0	-

\* Engine shaft speed at shut-off.

### DIMENSIONS



Note: Dimensions may vary depending on make and size of engine. Use only for Reference



REF. #	PART NUMBER	EDP #	DESCRIPTION	REQ.
1	BAC-53	41110	Pipe plug, 1/8" NPT	3
1	41120	41120	Pipe plug, 1/8" NPT, stainless steel (optional)	3
2	ACAL-16	30170	Volute, 2 1/2" x 2", clockwise rotation, cast iron	1
3	ACAL-30-1600	30561	Impeller, cast iron, 1"UNF right hand thread	1
*4	72990	72990	"O" Ring, shaft sleeve, impeller end	1
5	ACAL-7-SS	30018	Engine shaft sleeve, stainless steel	1
*6	41860	41860	"O" Ring, shaft sleeve, engine end	1
*7	TYPE 21- 1.250	30265	Seal, Type 21 mechanical seal for 1.250" shaft, Viton	1
8	ACAL-4	30009	"O" Ring gasket for ACAL-14 volute with chamfer	1
*8	9000	31130	Gasket, 8 hole, volute seal	1
9	ACAL-143	30045	Bracket	1
10	40930	40930	Cap screw, 3/8" NC x 3/4", stainless steel (optional)	4
10	40950	40950	Cap screw, 3/8" NC x 3/4" Hex head	4
11	42221	42221	Slinger	1
12	SP-62	42255	Cap screw, 5/16" NF x 1"	4
12A	GE-44	42200	Lock washer, 5/16" (Not shown)	4
#	42073	42073	Gas engine, 16HP Briggs & Stratton Vanguard	1
#	RK-GE-800/1600	61000	Repair kit for GE-800 and GE-1600	#

\* Items included in pump repair kit.

**Ace Pump Corporation** • P.O. Box 13187 - 1650 Channel Avenue • Memphis, TN 38113  
**www.AcePumps.com** • Phone: 901-948-8514 • Fax: 901-774-6147