



Small Displacement Hydraulic Motor Driven Centrifugal Pump



FMC-HYD-202 & -203

- Suction 1-1/4" Discharge 1"
- **-202** motor requires 2 GPM hydraulic flow LS Closed and Open Center Systems
- **-203** motor requires 3 GPM hydraulic flow LS Closed and Open Center Systems
- Integral Needle Valve bypasses up to 9 GPM on Open Center Systems
- Standard Viton® Carbon/Ceramic seal or Optional Severe Duty Silicon Carbide Mechanical Seal
- Chemical Resistant Valox® or Optional Cast Iron Impeller
- Stainless Steel Shaft and Wear Ring

Valox® is a registered trademark of GE Plastics.
 Viton® is a registered trademark of DuPont Dow Elastomers.

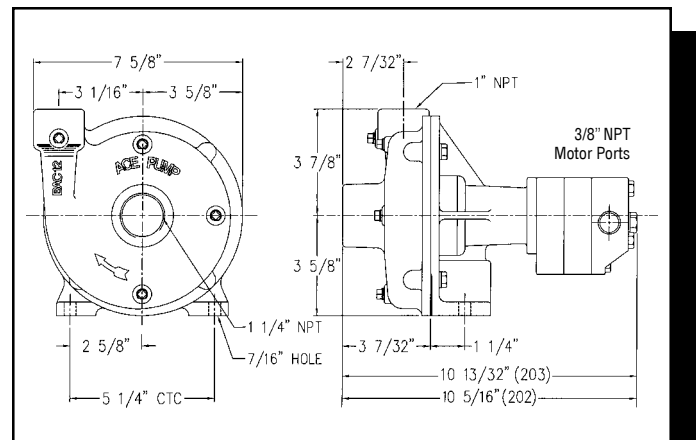
202 PERFORMANCE CHART

SHUT-OFF 0 GPM	20 GPM	40 GPM	60 GPM	70 GPM
100 PSI	98 PSI	72 PSI	50 PSI	20 PSI
80 PSI	78 PSI	72 PSI	47 PSI	20 PSI

203 PERFORMANCE CHART

SHUT-OFF 0 GPM	20 GPM	40 GPM	60 GPM	70 GPM
100 PSI	98 PSI	93 PSI	75 PSI	37 PSI
80 PSI	78 PSI	74 PSI	62 PSI	36 PSI

DIMENSIONS

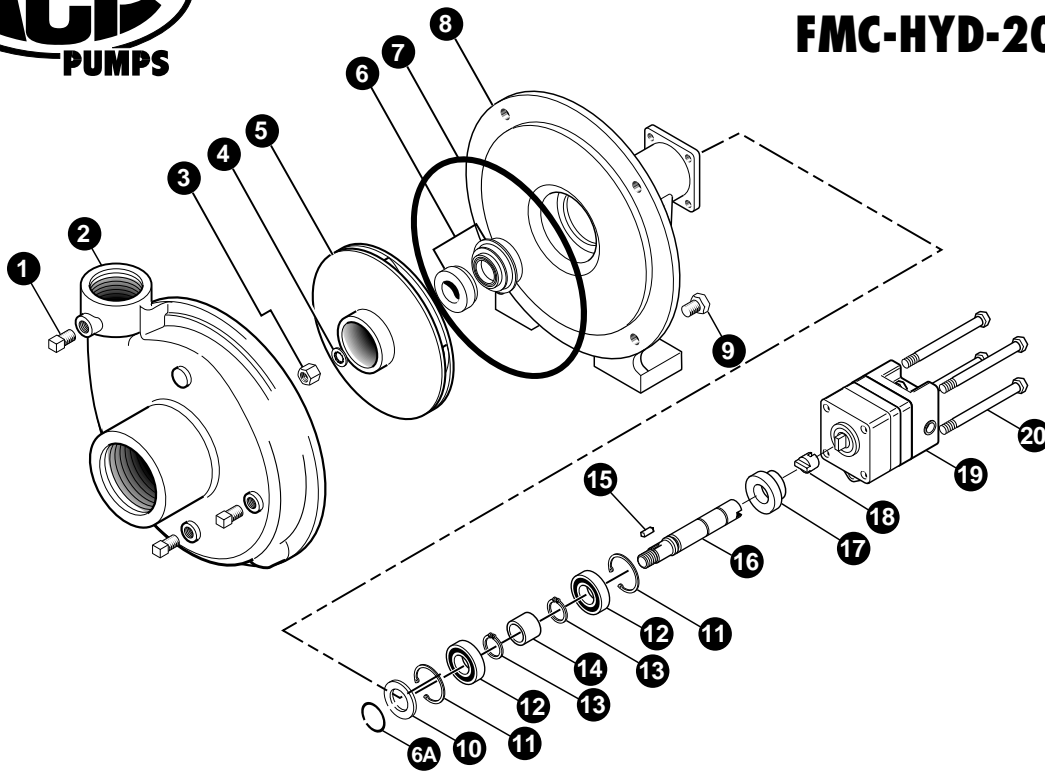


Use the SHUT-OFF pressure of your spraying system to determine which line of data applies. The hydraulic system input pressure and flow will vary within the chart. Contact factory for more data.

MAXIMUM SHUT-OFF PRESSURE - 100 PSI



FMC-HYD-202 &-203



REF. #	PART NUMBER	EDP #	DESCRIPTION	REQ.
1	41110	41110	Pipe plug	3
1	41120	41120	Pipe plug, stainless steel (optional)	3
2	BAC-12	40250	Volute, 1 1/4" x 1"	1
3	BAC-23-A	40391	Nut, 3/8" NF, cad plated	1
4	BAC-24-HYD-SS	40400	Washer, 3/8" star, stainless steel	1
5	BAC-26-HYD-VALOX	40440	Impeller, Valox, keyway	1
5	BAC-26-HYD-CI	40442	Impeller, cast iron, keyway (optional)	1
*6	BAC-7V	40151	Seal, mechanical, Viton (includes 40160)	1
6	BAC-7SC	40152	Seal, mechanical, silicon carbide (includes 40160), optional	1
6A	40160	40160	O-ring, shaft seal	1
*7	BAC-4	40010	Gasket, 4 hole, (obsolete 1996)	1
*7	BAC-4A	40005	O-ring, body seal	1
8	BAC-14-HYD	40300	Mounting frame (for -200 Series hydraulic motors)	1
9	40950	40950	Cap screw, 3/8" NC x 3/4" hex head	4
9	40930	40930	Cap screw, 3/8" NC x 3/4" hex head, stainless steel (optional)	4
10	BAC-54	41130	Slinger	1
11	BAC-33	40810	Snap ring, internal, BAC-14 mounting frame	2
12	BAC-37	40870	Ball bearing, sealed, BAC-6 shaft	2
13	BAC-32	40790	Snap ring, external, BAC-6 shaft	2
14	BAC-32-S	40795	Spacer for BAC-6 shaft	1
15	BACH-25	40420	Key, 1/8" x 1/8" x 1/2"	1
16	BAC-6-HYD	40060	Shaft, 5/8" diameter, keyway and tang slot (optional)	1
16	BAC-6-HYD-SS	40061	Shaft, 5/8" diameter, keyway and tang slot, stainless steel	1
17	S200	40161	Seal support spacer, 200 Series motor lip seal; effective 6/00	1
18	BAC-76-HYD	41380	Coupling for hydraulic motor	1
19	BAC-75-HYD-202	41368	Hydraulic motor, 2 GPM	1
19	BAC-75-HYD-203	41367	Hydraulic motor, 3 GPM	1
20	41256	41256	Cap screw, 5/16" NC x 3 1/2" hex head (for 204 and 203 motor)	4
20	41250	41250	Cap screw, 5/16" NC x 3 1/4" hex head (for 202 motor)	4
#	RK-FMC	52700	Repair kit for FMC series pump	1
#	RK-BAC-75-HYD	41371	Repair kit for 202, 203, 204, 206, and 210 motor	1
#	RD-BAC-75-HYD-L	41374	Repair kit for 200 series HYD motors equipped with Teflon lip seal	1

* Items included in pump repair kit.

Ace Pump Corporation • P.O. Box 13187 - 1650 Channel Avenue • Memphis, TN 38113
www.AcePumps.com • Phone: 901-948-8514 • Fax: 901-774-6147

Ace Form # FMC-HYD-202/203
 Revised 04/01